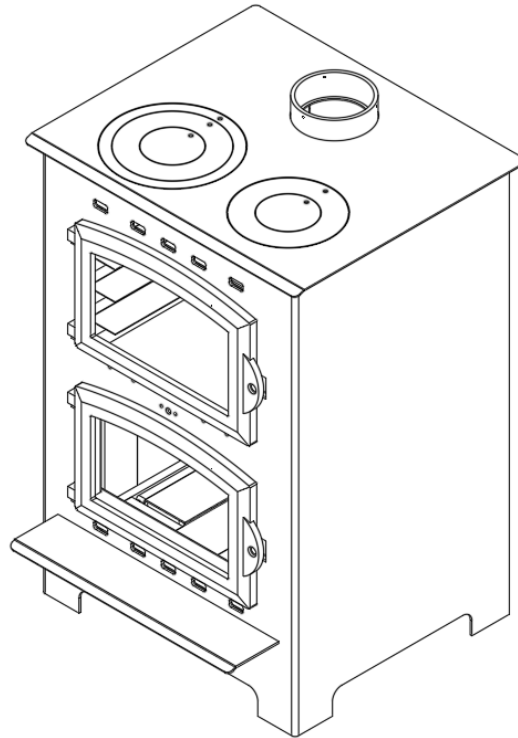


**READ AND KEEP THIS MANUAL FOR REFERENCE**

# HOMESTEADER COOKSTOVE



## FREESTANDING UNIT

### FEATURES

### PREPARATIONS

### INSTALLATION

### OPERATION

### MAINTENANCE

### SAFETY

## SAFETY NOTICE

IF THIS HEATER IS NOT PROPERLY INSTALLED, A HOUSE FIRE MAY RESULT. FOR YOUR SAFETY, FOLLOW THE INSTALLATION INSTRUCTIONS. CONTACT THE AUTHORITY HAVING JURISDICTION (SUCH AS MUNICIPAL BUILDING DEPARTMENT, FIRE DEPARTMENT, FIRE PREVENTION BUREAU, ETC.) CONSULT BEFORE INSTALLATION TO DETERMINE THE NEED TO OBTAIN A PERMIT. KEEP THESE INSTRUCTIONS FOR FUTURE USE.

TESTED AND LISTED BY: **PFS** PFS/TECO, COTTAGE GROVE, WI  
**C** **US** MANUFACTURED BY NEW BUCK CORPORATION

200 ETHAN ALLEN DRIVE  
P.O. BOX 69  
SPRUCE PINE, NC 28777  
www.buckstove.com  
(828) 765-6144

TESTED TO: ANSI / UL1482-REV 7 & CAN/ULC-S627 REVISED JUNE 2023



# Table of Contents

---

Caution & Warnings.....	4
Installing the Floor Protector .....	5
Standard Installation Clearances .....	6
Chimney Connections.....	7
Chimney Requirements & Masonry Chimneys & Fireplaces .....	8
Chimney Height & Stove Dimensions.....	9
Cooking & Fueling Suggestions .....	10
Ventilation, Ash & Creosote Removal.....	11
Inspection and Cleaning & Glass Replacement.....	12
Warranty Information.....	13-14
Product Registration .....	15

# Cautions & Warnings

- **Please read this entire manual before you install or use your new stove. Failure to follow instructions may result in property damage, bodily injury, or even death.**
- **Use only solid wood fuel, dry seasoned cord wood is the preferred fuel.**
- If this stove is installed incorrectly, a house fire may result. For your safety, follow the installation instructions. Never use makeshift compromises during the installation of this stove. Contact your authority having jurisdiction (such as fire departments or building officials) about permits, restrictions, and installation requirements in your area.
- Hot during operation. Keep children, animals, clothing and furniture away from the unit during operation. Contact can cause serious burns and injury.
- Do not install this unit in a mobile or manufactured home.
- Do not burn garbage or flammable chemicals or fluids such as gasoline, oil, or similar liquids to start or aide the burn of the fire in this stove. Some of these fuels can result in deadly carbon monoxides. Keep all liquids well away from the stove while it is in use.
- Do not connect to any air distribution duct or system.
- Do not elevate the fire by use of a log cradle or grates. Build fire directionally on fire bricks.
- Do not store fuel underneath this unit, within the specified installation clearance areas, or within the space required for ash removal.
- Always close the door after the ignition. Leaving the door open can cause smoke spillage and flames to come out of the stove and may result in injury.
- Normal operation of the stove will result in momentary emissions of smoke into the room when the refueling door is open and closed. It is always recommended to install strategically placed smoke detectors away from the stove and to have a fire extinguisher in a convenient location. Make sure that they are not influenced by small and normal wisps of smoke that can come out of the stove at ignition or refueling but close enough to provide safety.
- Never over fire your stove. If any part of the stove starts to glow red, over firing is occurring. Readjust the air intake control at a lower setting.
- Never put wood above the firebrick lining of the firebox.

# Installing the Floor Protector

The stove must be placed on a non-combustible floor protector with an R-value of 3 or greater. For multiple layers, add R-values of each layer to determine the overall R-value.

In the USA, the floor protector must extend 8”(200mm) beyond each side of the flue loading door and 16”(400mm) to the front. In Canada, the floor projector must extend 8” (200mm) beyond each side and the back of the appliance and 18”(450mm) to the front. Refer to figure 3.

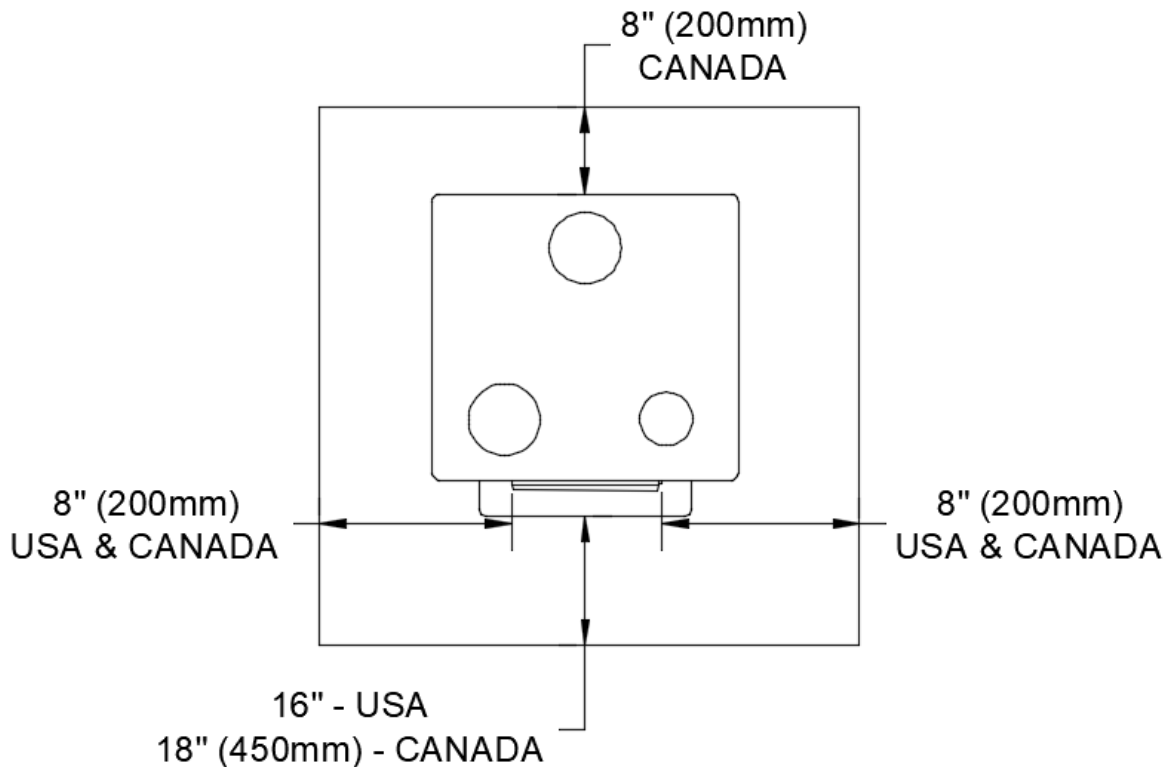


Figure 3. Non-combustible floor protector requirements

NOTE: In a rear vent installation, the floor protection must also extend under the stove pipe / chimney connector and a minimum of 2” (50mm) beyond each side.

# Standard Installation Clearances

One of the main necessary precautions when installing a wood stove is to leave sufficient space between the stove (top, sides, back, front, and under stove pipes) and any other material that can catch fire.

It is extremely important that you abide by required installation distances and that you abide by local installation regulations. This is for your safety! The manufacturer is not responsible for the product, if it is not installed following these recommendations. The following clearances may only be reduced by means approved by the authority having jurisdiction.

A combustible surface is anything that can burn (i.e. sheet rock, wall paper, wood, fabrics etc.) These surfaces are not limited to those that are visible and include materials that are behind non-combustible materials. If you are not sure of the combustible nature of a material, consult your authority having jurisdiction.

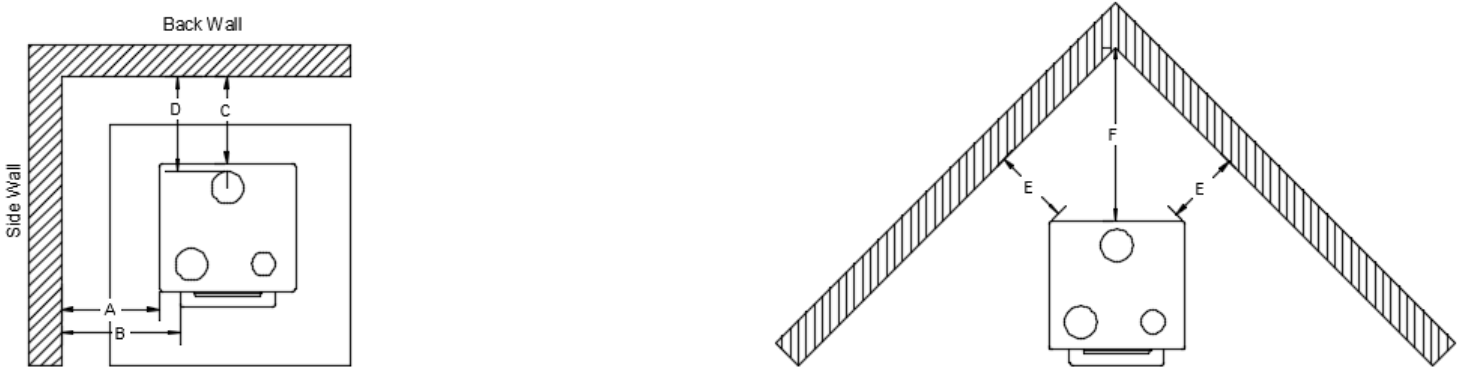


Figure 4. Parallel installation & Corner installation

## Clearances to Combustible Surfaces

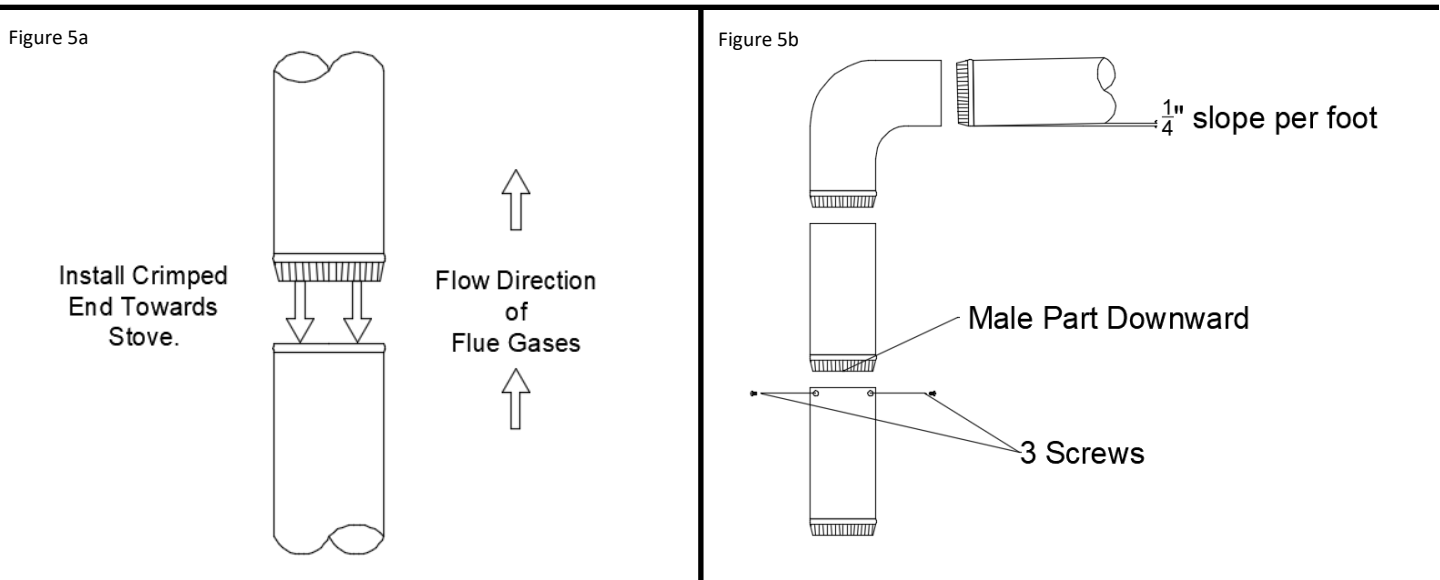
Description	Dimension (inches)	Dimension (millimeters)
A—Side to Wall	16"	406mm
B—Side to Hearth	17-3/4"	451mm
C—Rear to Wall	14"	356mm
D—Collar to Wall	16-7/8"	429mm
E—Corner to Wall (45°)	10"	254mm
F—Back to Wall (45°)	28-3/4"	730mm

# Chimney Connections

The chimney connector is a single walled pipe used to connect the stove to the chimney. For use with the Homesteader Cookstove the chimney connector must be 6" (150mm) in diameter, with a minimum thickness of 24-gauge black or blued steel. The chimney connector must be suitable for solid fuel, in good condition, and kept clean.

Aluminum and galvanized steel pipe is not acceptable for use with the Homesteader Cookstove. These materials cannot withstand the extreme temperatures of a wood fire and can give off toxic fumes when fired.

Each chimney connector or stove pipe section must be installed to the stove flue collar and to each other with the male (crimped) end toward the stove, as per figure 5.a. Attach each of the sections to one another with three equidistant metal screws, as per figure 5.b.



This prevents any amount of condensed or liquid creosote from running down the outside of the pipe or the stovetop. All joints, including the flue collar connection must be secured with three sheet metal screws to ensure that the sections do not separate.

For the best performance, the chimney connector should be as short and direct as possible, with no more than two 90° elbows. Always slope horizontal runs upward 1/4" per foot toward the chimney.

All sections of the chimney connectors must be accessible for cleaning. Where passage through a wall or partition of combustible construction is desired, the installation must conform to NFPA 211 or CAN/CSA-B365, and is also addressed in this manual.

# Chimney Requirements

**DO NOT CONNECT THIS UNIT TO A CHIMNEY FLUE SERVING ANOTHER APPLIANCE.**

**DO NOT CONNECT TO ANY AIR DISTRIBUTION DUCT OR SYSTEM**

This stove must be connect to a 6" (150mm) factory built UL 103 HT chimney (ULC S629), in Canada or a code—approved masonry chimney with a flue liner.

An effective vapor barrier at the location where the chimney or the component penetrates to the exterior of the structure must be maintained as per the installer's complying method.

## Masonry Chimney & Fireplace

The stove may also be connect to a masonry chimney, provided the chimney compiles the construction rules found in the building code enforced locally. To ensure that a masonry chimney meets them minimum standards of the National Fire Protection Association (NFPA) it should be inspected by a professional to make sure there are no cracks, loose mortar or other signs of deterioration and blockage. Also have the chimney cleaned before the stove is installed and operated.

When connecting the stove through a combustible wall to a masonry chimney, special methods are needed. Refer to figure 7. The chimney must have either a clay liner or suitably listed stainless steel liner. If masonry chimney has a square or rectangular liner that is larger in cross sectional area than a round 6"(150mm) flue, it should be relined with a suitably listed 6"(150mm) stainless steel liner. Do not downsize the flue to less than 6" unless the venting system is straight and exceeds 25ft (7.6mt) in height. When passing through a combustible wall, the use of an insulated listed thimble is required.

There are listed kits available to connect a stove to a masonry fireplace. The kit is an adapter that is installed at the location of the fireplace damper. The existing damper may have to be removed to allow installation.

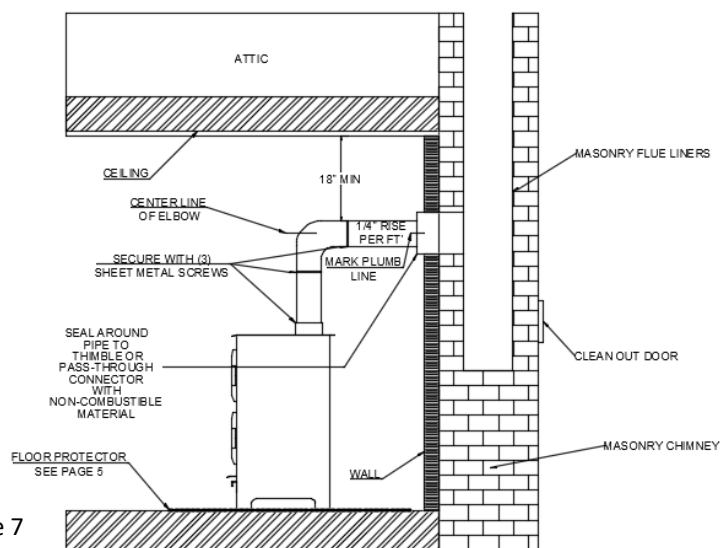


Figure 7



# Chimney Height

The connected chimney must be the required height above the roof and any other nearby obstructions. The chimney must be at least 3' (900mm) higher than the highest point where it passes through the roof and at least 2' (600mm) higher than the highest part of the roof or structure that is within 10' (3,000mm) of the chimney, measured horizontally. Refer to figure 8.

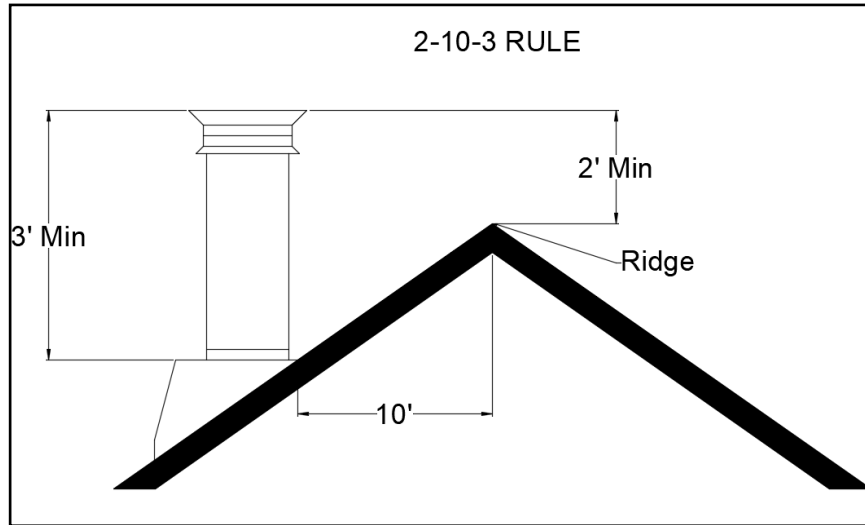
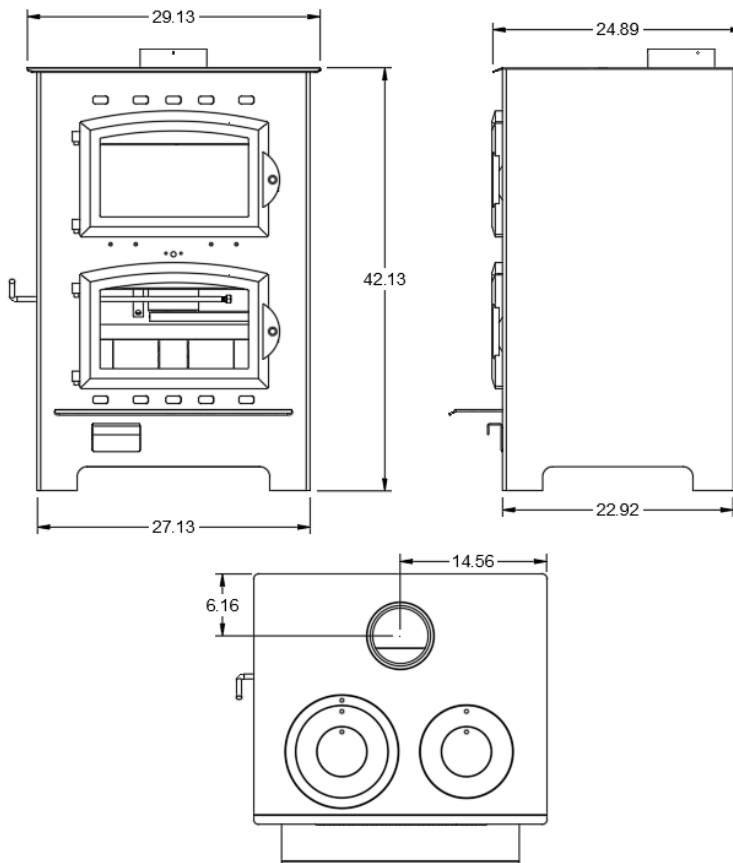


Figure 8. Chimney height requirements

# Stove Dimensions



## Cooking

The Homesteader Cookstove has the firebox at the bottom and the oven above. Heat is directed around the over by closing the middle damper located on the side of the stove.

Before lighting your Homesteader Cookstove ensure that the damper control is properly located so that it closes. The damper is open when the control rod is pushed in and closed in the pulled out position.

To light your fire first ensure that your damper is open and the front air damper is open on the left hand side below the feed door to allow for proper air flow. Light a fire using finely chopped wood and establish it so that it has plenty of flames. As soon as the fire is going with a decent coal bed close the middle damper. This directs the flames and flue gases down the sides and up around the oven. Keep the fire burning briskly until the oven is up to temperature.

Note: The temperature gauge on the front is only a rough suggestion as to the internal temperature of the oven. It is a good idea to use a meat thermometer when cooking.

For cooking, always have a brisk fire using small pieces of firewood that provide plenty of flames. This type of fire will maintain the oven temperature. For longer burn time, larger pieces of wood can be used and the air control closed off. The oven temperature will drop when in this mode of operation.

## Fueling

Loading suggestions:

Once you have obtained a good bed of embers, you should reload the unit. In order to do so, open the firebox bypass, then open the air controls to maximum a few seconds prior to opening the stove's door. Then proceed by opening the door very slowly; open it one or two inches for 5 to 10 seconds, before opening it completely to increase the draft and thus eliminate the smoke which is stagnant in a state of slow combustion in the stove. Then bring the red embers to the front of the stove and reload the unit. Be careful when operating the unit with the door open as coal / ash may escape the firebox.

For optimal operation of your wood stove, we recommend you to operate it with a wood load approximately equivalent to the height of fire bricks. Avoid wood from coming in contact with glass. Also avoid over firing the appliance and burning volatile fuels as this is unsafe and can void warranty.

## Ventilation Suggestions

It is important to note that wood combustion consumes ambient oxygen in the room. In the case of negative pressure, it is a good idea to allow fresh air in the room, either by opening a window slightly or by installing a fresh air intake system on an outside wall.

**DO NOT ALTER THE DAMPER ADJUSTMENT RANGE TO INCREASE THE FIRING FOR ANY REASON!!!**

## Maintenance

### **Disposal of Ashes**

Ashes should be removed from the stove every few days or when ashes get to 2 to 3 inches deep. Always empty the stove when it is cold, such as in the morning. Ashes should be placed in a metal container with a tight-fitting lid. The closed container of ashes should be placed on a noncombustible floor on the ground, well away from all combustible materials, pending final disposal. If the ashes are disposed of by burial in soil or otherwise locally dispersed, they should be retained in the closed container until the cinders have thoroughly cooled.

### **Creosote –Formation & Need for Removal**

When wood is burned slowly, it produces tar and other organic vapors, which combine with expelled moisture to form creosote. The creosote vapors condense in the relatively cool chimney flue of a slow-burning fire. As a result, creosote residue accumulates on the flue lining. When ignited this makes an extremely hot fire.

To prevent creosote build-up:

- Always burn dry wood. This allows clean burns and higher chimney temperatures, therefore less creosote deposit.
- Leave the air control full open for about 5 min. every time you reload the stove to bring it back to proper operating temperatures. The secondary combustion can only take place if the firebox is hot enough.
- Always check for creosote deposit once every two months and have your chimney cleaned at least once a year.

The chimney connector and chimney should be inspected at least every two months to determine if a creosote buildup of 1/8" (3mm) or more has occurred. If creosote has accumulated it should be removed to reduce the risk of a chimney fire.

## Inspection & Cleaning

It is important to establish a routine for the fuel, wood burner and firing technique. Check daily for creosote buildup until experience show how often you need to clean to be safe. Be aware that the hotter the fire the less creosote is deposited, and weekly cleaning may be necessary in mild weather even though monthly cleaning may be enough in the coldest months. Contact you local municipal or provincial fire authority for information on how to handle a chimney fire. Have a clearly understood plan to handle a chimney fire.

Apart from removing creosote buildup within the appliance, the only other maintenance required for the Homesteader cookstove is to ensure that the door assembly components are well maintained.

The glass on the firebox and oven door can be cleaned with steel wool and water. It is not advisable to use a cleaner that contains caustic and abrasive cleaners.

Ensure that the door seals are well maintained; kept in a 'good working condition'.

## Replacing Glass

Inspect and clean the glass regularly in order to detect any cracks. If you spot one, allow the fire to go out and the stove to cool before repairing. Never wash the glass with a product that may scratch the glass. Use a specialized product, available in the stores where wood stoves are sold. The glass should be washed only when the stove is cold to facilitate good operational practices.

Do not abuse the glass door by striking or slamming shut. Do not use the stove if the glass is broken. If the glass on your stove breaks, replace with only the same glass supplied from your stove dealer. Never substitute other materials for the glass.

To replace the glass, remove the screws retaining the glass clips inside the door. Remove the clips and replace the damaged piece with a new one. Perform the procedure backwards after replacing. When replacing the glass, you should change the glass gasket to make sure you keep it sealed.

## NEW BUCK CORPORATION (NBC)

### "LIMITED WARRANTY" FOR THE BUCK STOVE

#### PLEASE READ THIS WARRANTY CAREFULLY

#### **PRODUCTS COVERED**

This warranty covers the new Buck Stove heating unit, so long as it is owned by the original purchaser, including optional and standard accessories purchased at the same time, subject to terms, limitations, and conditions herein set out.

#### **PRODUCTS NOT COVERED**

This warranty does not cover the following:

Glass, Refractory Material, Firebrick or Gaskets.

This Warranty will not cover any damage and/or failure caused by abuse or improper installation of the products covered.

#### **WARRANTY TIME PERIODS**

##### **Period I**

For one (1) year from the date of purchase, NBC will replace or repair, at its option, any part defective in materials or workmanship. The costs of parts only are included. The customer pays any labor or transportation charges required.

Thereafter,

##### **Period II**

For the period after the first year from the date of purchase and extending for five (5) years as long as the Buck Stove is owned by the original purchaser, NBC will repair or replace, at its option, any part defective in materials or workmanship, with the exception of: electrical motors, wiring, switches, components, optional and standard accessories and all parts not permanently attached to the heating unit. Parts not permanently attached to the heating unit are defined as those items designed to be removed from the stove, including those removable with common hand tools. The costs of parts only are included. The customer pays any labor or transportation charges required.

#### **PROCEDURE**

Should you feel that your BUCK STOVE is defective, you should contact any Buck Stove dealer for the name of your nearest authorized Buck Stove service representative, who will instruct you on the proper procedure, depending on which Warranty Time Period (Period I or Period II) applies.

If for any reason you are dissatisfied with the suggested procedures, you may contact us in writing at:

New Buck Corporation  
Customer Service Department  
P. O. Box 69  
Spruce Pine, NC 28777

Email: [info@buckstove.com](mailto:info@buckstove.com)

## **CONDITIONS AND EXCLUSIONS**

Replacement of parts may be in the form of new or fully reconditioned parts, at NBC's option.

There is no other express warranty. All implied warranties of merchantability and fitness for use are limited to the duration of the Express Warranty.

New Buck Corporation is not liable for indirect, incidental, or consequential damages in connection with the use of the product including any cost or expense of providing substitute equipment or service during periods of malfunction or non-use.

Some states do not allow the exclusion of incidental or consequential damages, so the above exclusion may not apply to you.

All warranty repairs under this warranty must be performed by an authorized Buck Stove service representative. Repairs or attempted repairs by anyone other than an authorized service representative are not covered under this warranty. In addition, these unauthorized repairs may result in additional malfunctions, the correction of which is not covered by warranty.

## **OTHER RIGHTS**

This warranty gives you specific legal rights, and you may also have other rights, which vary from state to state.

