

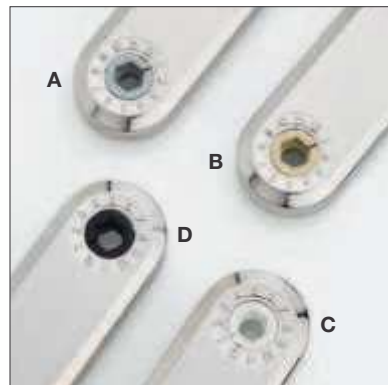
Heavy Duty Maxi

- For doors made of wood, glass or with aluminum frame
- All common applications for doors and openings can be achieved by changing mounting position and combining Maxi with the appropriate accessories
- Applications include fronts with and without handle, aluminum frame and all-glass fronts, automatic opening to the end position, multi-position stop and easy opening of heavy fronts
- Can be used on one or both sides depending on the size of the door
- Holding power can be adjusted individually to respective flap weight



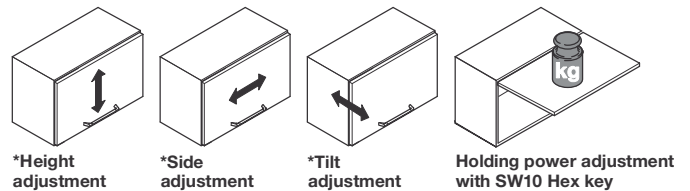
Finishes

Black, nickel-plated or white



Overview of finish designation
(Adjusting screw) for differentiating the models "A", "B", "C" and "D"

Front adjustment facility



Note

*Depends on the hinges that are installed.

9

Maxi - Applications

- For doors with handle



For Power-Assisted Opening of the Door

- 1 For wide and heavy doors with handle.
- 2 Door locks reliably in any position.
- 3 Less manual force needed to open the door.
- 4 Application in combination with concealed hinges with or without automatic closing.
- 5 Optional soft closing mechanism available (recommended).

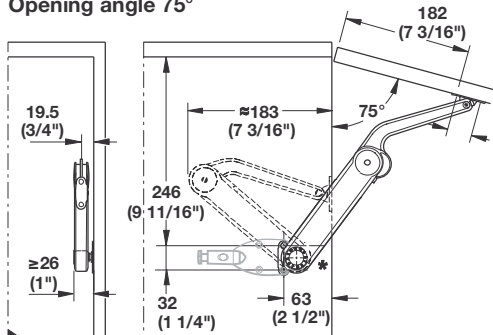
Maxi - Application with Handle
For Power-assisted Opening of the Door

Note

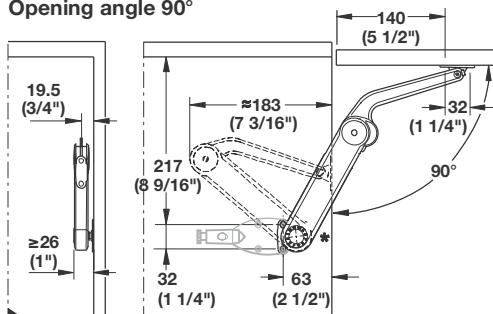
The following dimensions and sample measurement tables must be strictly observed for this kind of application. Two Maxi fittings must be installed for door widths from 600 mm (24") and above. The weight specification applies to one Maxi fitting. When using two Maxi fittings the door weight values double. Application in combination with concealed hinges with or without self closing.



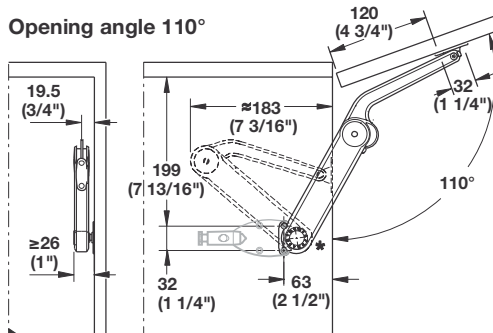
Opening angle 75°



Opening angle 90°



Opening angle 110°



*Dimensions for Maxi with mounting bracket for 37 mm (1 7/16") edge distance

Door height	Door weight lbs.			
	Model A	Model B	Model C	Model D
For opening angle 75°				
16"	4.9 - 8.8	9.5 - 18	15.6 - 30.8	-
20"	4 - 7.1	7.5 - 15.4	14.1 - 25.3	15 - 29.5
24"	3.5 - 6.6	6.4 - 12.1	11.2 - 22	14.1 - 24.6
28"	3.1 - 6.2	5.7 - 11.2	10.8 - 20	11.7 - 22.4
32"	-	5.3 - 10.1	8.8 - 16.3	10.8 - 19.8
36"	-	4.8 - 9.7	8.4 - 15.4	10.3 - 18
40"	-	4.4 - 9.2	7.7 - 14.7	9.7 - 16.8
For opening angle 90°				
12"	5.9 - 11.2	11 - 18.7	17.6 - 26.4	19.8 - 33
16"	4.6 - 7.7	9.9 - 14.7	12.8 - 24.7	15.8 - 29.7
20"	3.5 - 5.7	7.7 - 12.1	9.9 - 19.4	13.2 - 24.2
24"	2.9 - 4.8	5.9 - 9.5	8.6 - 16.9	10.6 - 18.7
28"	2.6 - 4.4	5.5 - 8.1	7 - 14.1	9.2 - 16.7
32"	-	5.3 - 7.5	6.6 - 11.9	7.7 - 14.7
36"	-	-	5.9 - 11.4	6.6 - 13.2
40"	-	-	-	5.9 - 12.1
For opening angle 110°				
12"	3.1 - 7.1	6.8 - 13	11.9 - 22	-
16"	2.6 - 5.5	6.6 - 11	9.2 - 17.8	10.6 - 19.8
20"	2 - 4.4	4.8 - 8.4	7 - 13.9	6.2 - 16.5
24"	1.5 - 3.3	4.2 - 7.7	5.9 - 13.2	7.7 - 15
28"	-	3.7 - 5.9	5.5 - 9.9	6.6 - 11.4
32"	-	-	4.8 - 7.9	5.7 - 10.3
36"	-	-	-	5.1 - 9.5
40"	-	-	-	4.4 - 8.8