

Heavy Duty Maxi

- For doors made of wood, glass or with aluminum frame
- All common applications for doors and openings can be achieved by changing mounting position and combining Maxi with the appropriate accessories
- Applications include fronts with and without handle, aluminum frame and all-glass fronts, automatic opening to the end position, multi-position stop and easy opening of heavy fronts
- Can be used on one or both sides depending on the size of the door
- Holding power can be adjusted individually to respective flap weight

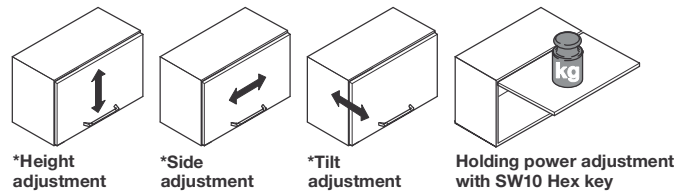


Finishes

Black, nickel-plated or white

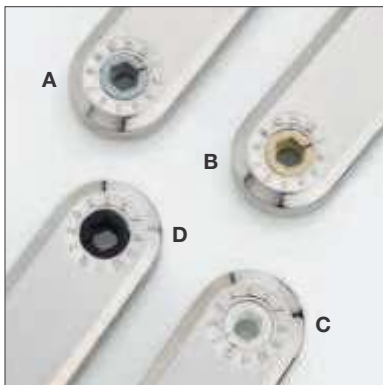


Front adjustment facility



Note

*Depends on the hinges that are installed.



Overview of finish designation
 (Adjusting screw) for differentiating the models "A", "B", "C" and "D"

Maxi - Applications

- For doors with handle



For Particularly Wide and Heavy Doors

- 1 For particularly wide and heavy doors with handle.
- 2 Door locks reliably in any position.
- 3 Mounting in series drilled holes 32 mm (1 1/4"); Edge distance: 37 or 28 mm (1 7/16" or 1 1/8").
- 4 Application in combination with concealed hinges with or without automatic closing.
- 5 Optional soft closing mechanism available (recommended).

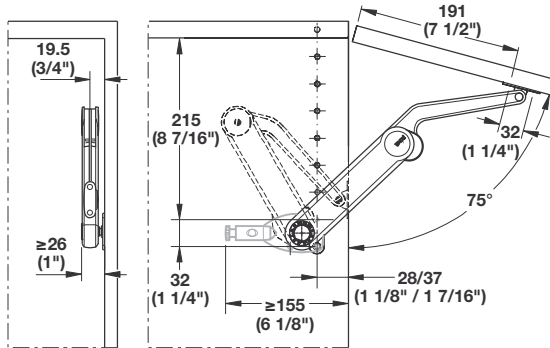
Maxi - Application with Handle
For Particularly Wide and Heavy Doors

Note

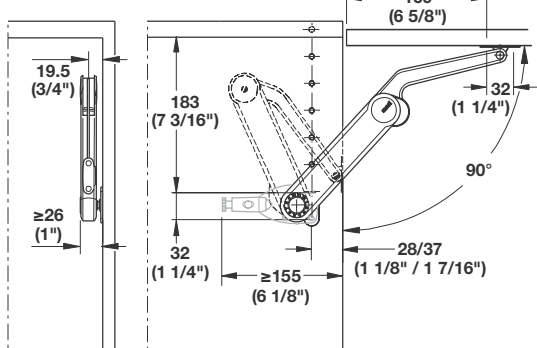
The following dimensions and sample measurement tables must be strictly observed for this kind of application. Two Maxi fittings must be installed for door widths from 600 mm (24") and above. The weight specification applies to one Maxi fitting. When using two Maxi fittings the door weight values double. Application in combination with concealed hinges with or without self closing.



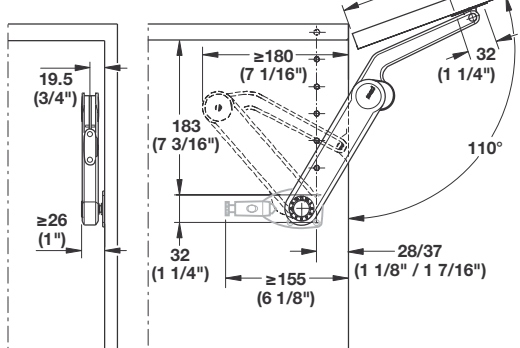
Opening angle 75°



Opening angle 90°



Opening angle 110°



Door height	Door weight lbs.			
	Model A	Model B	Model C	Model D
For opening angle 75°				
12"	8.4 - 15.6	14.7 - 30.1	26.2 - 46.2	33.9 - 60.1
16"	6.2 - 11.7	11 - 22.7	19.6 - 34.8	25.5 - 45.1
20"	5.1 - 9.5	9 - 18.3	15.8 - 27.5	20.7 - 35.6
24"	4.2 - 7.7	7.3 - 15.4	13 - 23.3	16.7 - 30.1
28"	3.5 - 6.6	6.2 - 12.5	11 - 19.4	14.3 - 25.1
32"	3.1 - 5.9	5.5 - 11.2	9.7 - 17.4	12.5 - 22.9
36"	2.9 - 5.3	4.8 - 10.1	8.8 - 15.4	5.5 - 20
40"	2.4 - 4.6	4.4 - 9	7.9 - 13.9	10.1 - 18
For opening angle 90°				
12"	6.6 - 11.7	11.2 - 22.4	20 - 34.8	26.2 - 45.8
16"	5.1 - 8.8	8.4 - 16.7	15.2 - 26.2	19.6 - 34.3
20"	4 - 7	5.3 - 13.4	12.1 - 21.1	15.8 - 27.5
24"	3.3 - 5.9	5.7 - 11.22	10.1 - 17.4	13.2 - 22.9
28"	2.9 - 4.8	4.6 - 9.2	8.4 - 14.5	10.8 - 19.1
32"	2.4 - 4.4	4.2 - 8.6	7.5 - 13	9.7 - 17.2
36"	2.2 - 4	3.7 - 7.5	6.6 - 11.4	8.6 - 15.2
40"	1.3 - 3.5	3.3 - 6.6	5.9 - 10.3	7.9 - 13.6
For opening angle 110°				
12"	5.3 - 8.8	8.6 - 16.5	15 - 25.6	20.2 - 33
16"	4 - 6.6	6.4 - 12.3	11.2 - 19.1	15.2 - 24.7
20"	3.1 - 5.3	5.3 - 9.9	8.8 - 15.6	12.5 - 19.8
24"	2.6 - 4.4	4.2 - 8.4	7.3 - 13	9.9 - 16.8
28"	2.2 - 3.7	3.7 - 6.8	6.4 - 10.6	8.4 - 13.6
32"	2 - 3.1	3.1 - 6.2	5.7 - 9.5	7.5 - 12.3
36"	1.8 - 2.9	2.9 - 5.5	5.1 - 8.4	6.6 - 11
40"	1.5 - 2.6	2.4 - 4.8	4.4 - 7.7	5.9 - 9.9

Dimensional data not binding. We reserve the right to alter specifications without notice.



Dimensions in mm
Inches are approximate