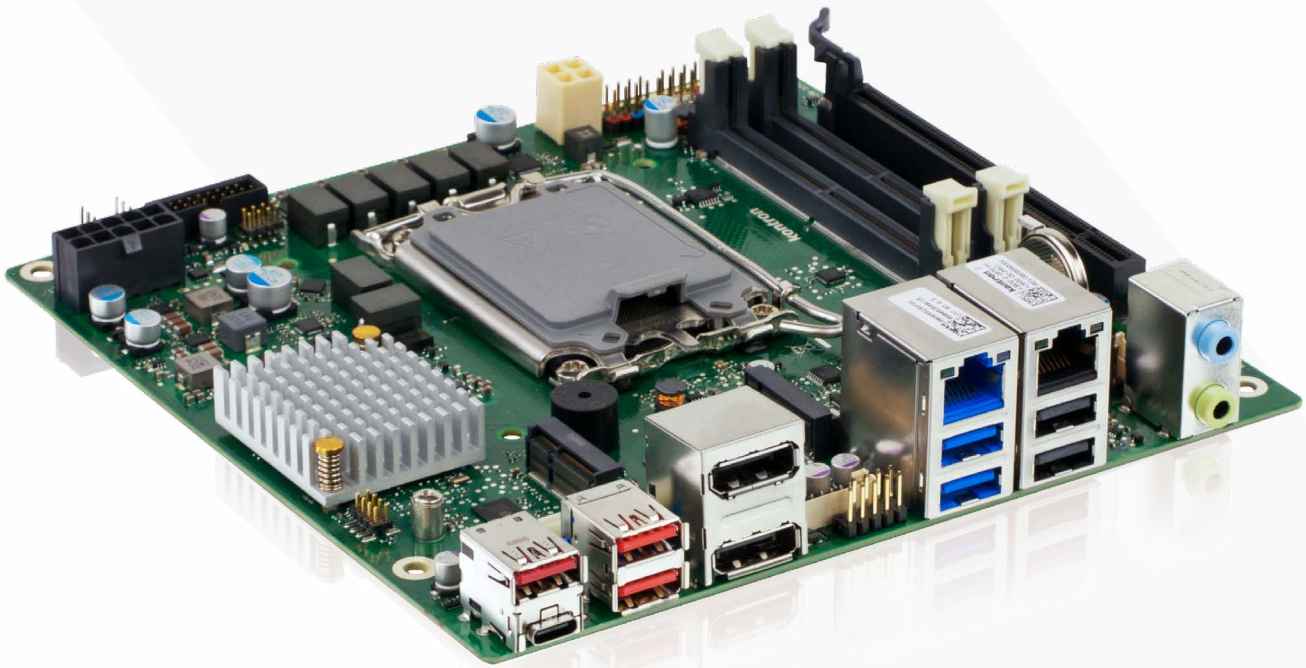


# K3832-Q mITX

## Industrial Series



### Intel® Q670E Chipset and Intel® Core™ processors (12th/13th/14th Gen)

- ▶ Latest DDR5 memory technology for best-in-class system performance
- ▶ Intel® UHD Graphics 7xx driven by Xe Architecture; DPP-, eDP-, and LVDS- support
- ▶ Dual LAN 1GbE/2.5GbE incl. Teaming and TSN support
- ▶ M.2 Key-M & Key-E; Powerful USB 3.2 Gen2
- ▶ Combined Single 12 V PSU or ATX12V0 (Intel-compliant) PSU

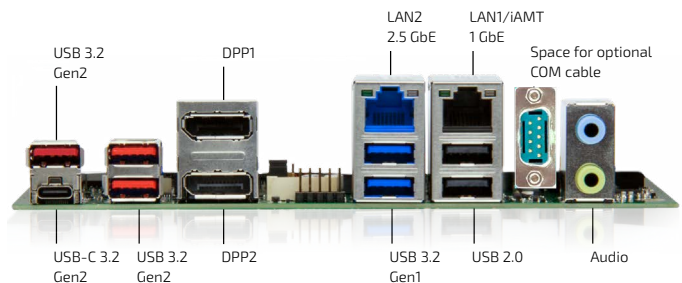
## K3832-Q mITX Industrial Series

The Industrial Motherboard K3832-Q mITX is equipped with the highly performant Intel® Q670E Chipset. It also offers a multitude of supporting processors such as the Intel® Core™ i9/i7/i5/i3 processor (12th/13th/14th Gen) and the Intel® Pentium®/Intel® Celeron® processor series. The motherboard impresses with iAMT-based out-of-band management features, TSN and real-time

support (TCC) for specific industrial applications, and support for the latest standards, such as PCI Express® Gen5 and DDR5 memory technology. Designed and approved for 24/7 continuous operation and an enhanced temperature range up to 60 °C the K3832-Q mITX fits perfectly with special requirements of certain markets.

- Intel® Core™ processors (12th/13th/14th Gen)
- DDR5-4800/5600 SODIMM, max. 64 GByte
- cTDP – Easy & flexible reduction of CPU TDP
- Supporting Intel® iAMT features and Intel® Time Coordinated Computing (TCC)
- PCI Express® x16 (Gen5 prepared)
- 1x Intel® GbE LAN, 1x 2.5GbE incl. Teaming and TSN
- Intel® UHD Graphics 7xx driven by Xe Architecture; 2x DisplayPort V1.4a up to 8K; 1x eDP V1.4b @4K; 1x Dual Channel LVDS
- Intel® High Definition 5.1 Audio; Intel® integrated TPM V2.0
- 8 Bit GPIO; 2x COM port
- 4x USB 3.2 Gen 2, 4x USB 3.2 Gen1, 4x USB 2.0
- 1x M.2 2242 (Key-M, PCIe/NVME SSD modules)

- M.2 2230 (Key-E, WLAN/Bluetooth modules, incl. CNVi support)
- BIOS-POST/-Boot & OS – HW Watchdog onboard



## Technical Information

<b>SYSTEM</b>	<b>PROCESSOR</b>	Intel® Core™ processors (12th/13th/14th Gen) Intel® Pentium®/Intel® Celeron® processor series Socket LGA1700, max. 65 W TDP (For details on supported processors please refer to Kontron FTP Server)
	<b>CHIPSET MEMORY</b>	Intel® Q670E Chipset 2 SODIMM Sockets DDR5-4800/5600***, max. 64 GByte, Dual Channel unbuffered, non-ECC
<b>VIDEO</b>	<b>GRAPHICS</b>	Intel® UHD Graphics 7xx (depends on installed processor), 2x DisplayPort V1.4a up to 8K; 1x eDP V1.4b @4K; 1x Dual Channel (24Bit) LVDS @Full HD
<b>AUDIO</b>	<b>AUDIO CODEC AUDIO INTERFACE</b>	Tempo Semiconductor 92HD91B High Definition Stereo Audio Codec****
<b>NETWORK CONNECTION</b>	<b>ETHERNET 1</b>	Intel® i219LM with 10/100/1000 MBit/s, iAMT features, Wake-on-LAN (WoL) by interesting Packets, Link Status Change and Magic Packet™, PXE Support, BIOS MAC Address Display, Teaming Support
	<b>ETHERNET 2</b>	Intel® i226LM with 10/100/1000/2500 MBit/s, TSN Support, Wake-on-LAN (WoL) by interesting Packets, Link Status Change and Magic Packet™, PXE Support, BIOS MAC Address Display, Teaming Support
<b>PERIPHERAL CONNECTION</b>	<b>USB</b>	3x USB 3.2 Gen 2 (rear I/O, Type-A), 1x USB 3.2 Gen 2 (rear I/O, Type-C with locking option), 2x USB 3.2 Gen1 (rear I/O, Type-A), 2x USB 3.2 Gen1 (by header), 2x USB 2.0 (rear I/O, Type-A), 2x USB 2.0 (by header)
	<b>SERIAL PORT OTHER I/Os</b>	2x (by header)* 1x 8-Bit GPIO
<b>STORAGE &amp; EXPANSION</b>	<b>SATA M.2 PCIe/NVME M.2 WIRELESS PCIe/PCI SLOTS GPIO</b>	n. a. 1x M.2 2242 (Key-M, PCIe/NVME SSD modules) 1x M.2 2230 ((Key-E, WLAN/Bluetooth modules, incl. CNVi support) PCIe x16: 1x 16 lanes, Gen5** 8 Bit GPIO (Input/Output); WLAN LED support, WLAN enable/disable support 3.3 V/5 V/12 V supply voltage output; SMBus controller PCA9554A
<b>POWER</b>	<b>CONNECTOR INPUT VOLTAGE</b>	Dual supply option: Single 12 V PSU ("DC In") or ATX12V0 (Intel-compliant) PSU 10-pin socket (Single DC 12 V or 12V1-DC/12VSB/PS-On/PWR_OK) plus 4-pin socket (12 V CPU power connector)

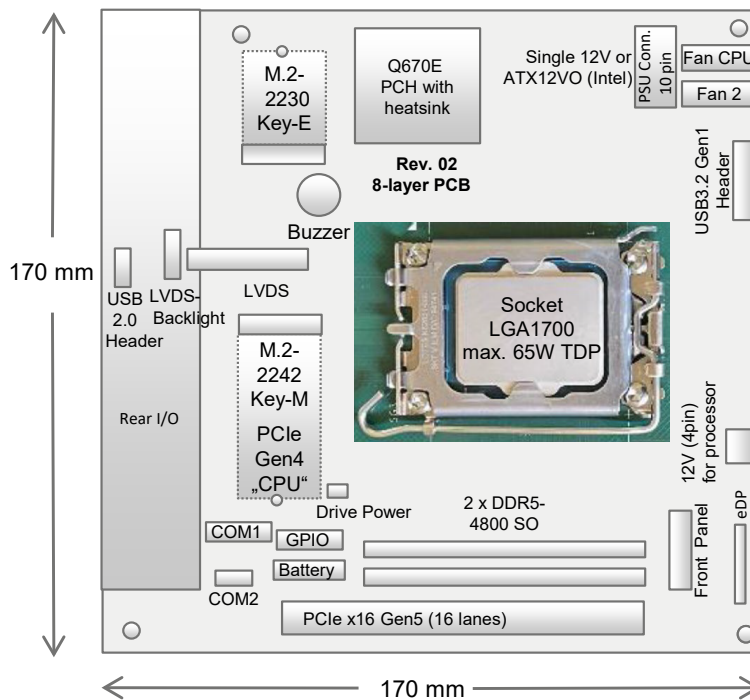
\*) COM1: Full RS-232 feature support; requires extension cable with integrated COM transceiver (signal level converter) e.g. F5000-K011  
COM2: Reduced RS-232 feature set without DCD/DIR/DSR/RI (flow control)  
\*\*) PCIe x16 slot: Gen5 support prepared, but not validated  
\*\*\*) Support for DDR5-5600 with BIOS ≥ R2.13.0. Requires at least appropriate Intel® Core™ processor (13th/14th gen)  
\*\*\*\*) 5.1 surround sound is supported via DisplayPort

<b>FIRMWARE</b>	<b>BIOS</b>	AMI Aptio 5.x (UEFI) BIOS modified and adapted by Kontron; Recovery BIOS, SM-BIOS (DMI), BIOS and CPU Microcode Update, Quick Boot, Logo Boot, Quiet Boot, Plug & Play, Automatic DRAM and PCIe Configuration, BIOS Support for S.M.A.R.T., Advanced Power Management, ACPI S3/S4, Wake on time from S5. No legacy OS support, no MBR installation (UEFI only)
<b>SYSTEM CONTROL</b>	<b>WATCHDOG</b> <b>REAL TIME CLOCK</b> <b>TPM</b> <b>FP HEADER</b>	BIOS POST-/BIOS BOOT-/OS-HW Watchdog Integrated TPM V2.0 (Intel® integrated) 1x Header for Reset button, HDD LED & External Speaker, Power button, Power LED
<b>SOFTWARE</b>	<b>SECURITY</b>	Recovery BIOS, System and BIOS Password, Boot Sequence Control, Serial/USB- Port Access Protection, Write Protection for Flash BIOS, EraseDisk (BIOS Feature), Trusted Platform Module (TPM)
<b>MECHANICAL</b>	<b>OS SUPPORT</b>	MS Windows 10, MS Windows 11, MS Windows 10 IoT, Linux-64 No legacy OS support, no MBR installation (UEFI only)
<b>ENVIRONMENTAL</b>	<b>DIMENSIONS (L x W)</b>	Mini-ITX: 6.7" x 6.7" (170 x 170 mm)
<b>CERTIFICATION</b>	<b>OPERATION TEMPERATURE</b>	0 °C - 60 °C
	<b>EMC &amp; SAFETY</b>	cTÜVus acc. IEC62368-1, CE Class B incl. Industrial Immunity, UKCA, FCC-B verified

## Power Supply Requirements

SOURCE	VOLTAGE	MIN. PS LOAD	MAX. VOLTAGE TOLERANCE	MOTHERBOARD CAPACITIVE LOAD	MOTHERBOARD MAX. CURRENT (continuous)*
Single 12 V	+ 12 V	0 A	± 5 %	3.000 µF	13 A
ATX12V0	+ 12 V	0 A	+ 5 %/-7 %	3.000 µF	13 A
	+ 12 Vaux	0 A	+ 5 %/-7 %	3.000 µF	1.5 A

\*) Max. motherboard input current incl. processor and DRAM memory. Additional power for drives, USB devices, PCIe cards, eDP etc. is not included!  
 Note: BIOS provides option to reduce CPU TDP/Turbo power in order to use PSU with limited loadability.  
 Processor 65 W TDP: Max. Cont. Current < 13 A; max. Surge Current = 26 A (full Turbo Mode)  
 Processor 35 W TDP: Max. Cont. Current < 8 A; max. Surge Current = 20 A (full Turbo Mode)



## Technical Details

FEATURES	Board Size / Chipset VGA* / DVI / DPP / LVDS / eDP Stereo Audio / 5.1 Multichannel Audio / Front Panel Audio Buzzer / int. Speaker Support (mono) GbE LAN / 2.5GbE LAN / Dual 2.5GbE LAN WoL / LAN Boot / Teaming / TSN Intel® Standard Manageability / iAMT / vPro SATA / SATA RAID / M.2 SSD (NVME) / NVME RAID USB 2.0 / USB 3.2 Gen1 / USB 3.2 Gen2 / USB 3.2 Type-C FAN controlled & monitored / CPU / AUX1 / AUX2 / AUX3 TEMP monitored CPU / Onboard Sensors / External Sensor	Mini-ITX / Q670E - / - / + / + / + + / - / - + / + + / + / - + / + / + / + + / + / - - / - / + / - + / + / + / + + / + / - / - + / + / -
SPECIAL FEATURES	Silent Fan / System Guard / cTDP Recovery BIOS / Flash Update / Multi Boot HDD Password / EraseDisk / TPM V2.0 BIOS POST Watchdog / BIOS Boot Watchdog / OS HW Watchdog Logo Boot Option High Efficiency Core Voltage Regulator Design Operating Mode 24-7 / 8-5 (hrs per day - days per week) Motherboard operating temperature range (chassis inside)**	+ / + / + + / + / + + / + / + + / + / + + + + / - 0 °C - 60 °C
INTERNAL CONNECTORS	SODIMM Sockets (DDR5-4800/5600) / ECC-Support PCI Express® x16: 16 lanes - Gen5 SATA-600 / M.2 Key-M (NVME SSD) / M.2 Key-B M.2 2230 (Key-E, PCIe & USB2.0 for WLAN/Bluetooth) S/PDIF (digital Audio) OUT / IN Front Panel Audio (9-Pin, HD Audio) USB 2.0 / USB 3.2 (Gen1) / USB 2.0 Stick / USB 3.2 (Gen2) Stick*** Fan CPU / AUX1 / AUX2 / AUX3 Intrusion (Case Open) / GPIO (8Bit) / SM-Bus (Case Temp.) Serial Port Header (COM, RS-232)**** / Parallel Port Header / PS2 Header Front Panel (Power Switch, Reset Switch, LEDs, Intel 10 pin compatible) SATA Drive Power Connector (2 pin; 5V/GND) Multirail PSU (24 pin + 4 pin) / Single 12V PSU / ATX12VO *****	2 / - 1 - / 1 / - 1 - / - - 1 / 1 / 0 / 0 1 / 1 / - / - - / 1 / - 2 / - / - 1 1 - / + / +
EXTERNAL CONNECTORS	VGA Sub D* / DVI-I / DVI-D / DisplayPort V1.4a Audio Mic. In / Line in / Line out (or driver configuration) LAN (RJ-45) PS/2 Mouse / Keyboard USB 2.0 / USB 3.2 (Gen1) / USB 3.2 (Gen2) Serial (COM1, RS-232) Parallel (EPP/ECP)	- / - / - / 2 - / 1 / 1 2 - / - 2 / 2 / 4 (1) ***** -

\*) VGA possible via DP-VGA-converter (dongle)  
\*\*) Forced cooling required, see technical documentation for details  
\*\*\*) Each internal USB connector (pin header) provides two USB ports (except for USB stick socket)  
\*\*\*\*) COM1 requires extension cable with integrated COM transceiver (signal level converter) e.g. F5000-K011  
\*\*\*\*\*) Single 12V or ATX12VO: 10 pin + 4 pin PSU connectors  
\*\*\*\*\*) COM1: Connector within rear I/O area with COM cable F5000-K011

# Ordering Information

ARTICLE	PART NO.	DESCRIPTION
K3832-Q mITX	F5120-V195	Intel® Core™ processors (12th/13th/14th Gen), Intel® Q670E Chipset

## Accessories

RISERCARD	S26361- F5000-R006	1x PCIe x4 (D3318-A)
COM1 EXTENSION CABLE	S26361- F5000-K011	Cable with integrated COM transceiver; length = 75 mm
INTERNAL COM2 CABLE	S26361- F5000-K010	400 mm; fullsize slot bracket
DC-IN AdapterCable_10PIN_ OpenCableEnd	F5000-K014	Universal DC input power connection (10-pin, 250 mm) for K3832-Q
DC-IN AdapterCable_ 10PIN_24PIN	F5000-K015	DC input adapter cable 10-pin to 24-pin for K3832-Q (100 mm)
DRIVE POWER CABLE 5V	F5000-K016	Provides +5V/GND for 2x SATA drives and one SLIM DVD drive (200 mm + 200 mm)
M.2 KEY-E/A SATA ADDON	F5000-M004	AddOn for M.2 Key-E/A slot to provide two SATA 6G ports Kit contains 40 x adapter K1201-A
SLIM HEATSINK LGA1700 65W	F5000-C030	Box contains 40x cooler plus 40x backplate

## Global Headquarters

Kontron Europe GmbH

Gutenbergstraße 2  
 85737 Ismaning, Germany  
 Tel.: + 49 821 4086-0  
 info@kontron.com

www.kontron.com



Copyright © 2024 Kontron. All rights reserved. All data is for information purposes only and not guaranteed for legal purposes. Information has been carefully checked and is believed to be accurate; however, no responsibility is assumed for inaccuracies. Kontron and the Kontron logo and all other trademarks or registered trademarks are the property of their respective owners and are recognized. Specifications are subject to change without notice. K3832-Q mITX-20241113 - bmy