



# Lacal Equipment Parts Catalog

## VOLUME 25

### ABBREVIATIONS KEY

ABO = ADJUSTABLE BLAST ORIFICE  
 ADJ. = ADJUSTABLE  
 ASSY. = ASSEMBLY  
 BAH = BROOM ASSISTED HEAD  
 BRG. = BEARING  
 BRKT. = BRACKET  
 C.B. / C.BROOM = CENTER BROOM  
 CONV. = CONVEYOR  
 CYL. = CYLINDER  
 DIA. = DIAMETER  
 ELEV. = ELEVATOR  
 EXH. = EXHAUST  
 FLT. = FLIGHT  
 G.B. / G.BROOM = GUTTER BROOM  
 GEO = GUTTER BROOM EXTENSION  
 OVERRIDE  
 HD = HEAVY DUTY  
 HDW. = HARDWARE  
 HSG. = HOUSING  
 HYD. = HYDRAULIC  
 I.D. = INNER DIAMETER  
 IN. = INCH  
 LH = LEFT HAND  
 M.B. / M.BROOM = MAIN BROOM  
 MNT. / MTG. = MOUNT / MOUNTING  
 O.D. = OUTER DIAMETER  
 OAL = OVERALL LENGTH  
 P.U. / P.U.H. = PICKUP / PICKUP HEAD  
 PWR. / MAN. = POWER / MANUAL  
 RH = RIGHT HAND  
 S/N = SERIAL NUMBER  
 S.B. / S.BROOM = SIDE BROOM  
 SEG. = SEGMENT  
 SGL. / DBL. = SINGLE / DOUBLE  
 SS = STAINLESS STEEL  
 STD. = STANDARD  
 SUCT. = SUCTION  
 SYS. = SYSTEM  
 TH = THICK  
 UHMW = ULTRA-HIGH MOLECULAR  
 WEIGHT  
 W/ (AND W/O) = WITH (AND  
 WITHOUT)  
 WELD. = WELDMENT  
 YD. = YARD

### PLOW

**Parts by Brand..... 12-18**

Boss..... 12  
 Coates..... 12  
 Everest..... 12  
 Flink..... 12  
 Fontaine..... 12  
 Gledhill ..... 12-13  
 Good Roads..... 13  
 Henderson ..... 14  
 Henke..... 14  
 Hi-Way..... 15  
 Meyer..... 14  
 Monroe..... 14-15  
 Root..... 15  
 Swenson ..... 15-16  
 Valk..... 16  
 Viking..... 16  
 Warren..... 16  
 Wausau ..... 16  
 Western..... 17  
 Universal Parts..... 17

**Blades..... 8-9**

**Spinners/Hubs/Motors .. 11**

**Spreaders/Sanders..... 10**

### SWEEP

**Reconditioning ..... 18-19**

**Parts by Brand..... 32-79**

Allianz ..... 32  
 Athey-Mobil..... 32  
 Challenger ..... 32  
 Elgin ..... 32-53  
 FMC..... 53  
 Johnston Global..... 54-56

### SWEEP

Mobil..... 56-59  
 Murphy ..... 60  
 Nitehawk..... 60  
 Schwarze ..... 60-66  
 Stewart Amos ..... 66-67  
 Sweeprite ..... 68  
 Tennant..... 68  
 Tymco ..... 68-77

**Assemblies ..... 20-23**

**Popular Parts ..... 24-29**

Carbide Drag Shoes ..... 29  
 Curtain Sets..... 27  
 Dirt Hoppers ..... 26  
 Elevator Frames..... 28  
 Elgin Conveyor Belts..... 29  
 Impellers..... 25  
 Pickup Heads ..... 24

**Brooms ..... 30-31**

### MOW

**Parts by Brand..... 80-99**

Alamo ..... 80-81  
 BMB ..... 81  
 Bomford ..... 81  
 Bush Hog..... 82-83  
 Bush-Whacker ..... 83  
 Chambers/CAP..... 83  
 Diamond ..... 83-84  
 Edwards ..... 84  
 Hardee..... 84  
 John Deere ..... 84-85  
 King Kutter ..... 85  
 Land Pride..... 85  
 Mohawk..... 86

### MOW

Motrim ..... 86  
 Mott..... 86-88  
 Roanoke..... 88  
 Schulte..... 88-90  
 Servis-Rhino ..... 90-92  
 Sidewinder..... 92  
 Sunmaster..... 92  
 Terrain King..... 92-94  
 Tiger..... 94-98  
 Triumph..... 98  
 Woods ..... 98-99

**Dish Pans/Ditcher Disc... 78**

**Replacement Tires ..... 79**

### LEAF

**Reconditioning ..... 100-101**

**Parts by Brand..... 104-111**

American Roads..... 104  
 Dinkmar ..... 104  
 Giant Vac..... 104-105  
 ODB ..... 105-111  
 Tarco..... 111  
 Tarrant..... 111

**Custom Impellers..... 103**

**Hoses..... 102-103**

### SERVICES

**Custom Leaf Impellers . 103**

**Leaf Machine**

**Reconditioning ..... 100-101**

**Rubber Fabrication..... 6**

**Street Sweeper**

**Reconditioning ..... 18-19**

### HOW TO READ LACAL EQUIPMENT PARTS LISTINGS

Lacal Part Numbers begin with an identifying prefix (shown at right) followed by the original equipment manufacturer's part number. There may also be an additional designating code after the part number indicating a special variety of part or an assembly. All original manufacturer's names, drawings, colors and part numbers are used for identification purposes only. Our products are not original equipment parts.

LSSP = Lacal Spreeder / Snow Plow  
 LS = Lacal Sweeper  
 LB = Lacal Broom  
 LM = Lacal Mower  
 LLC = Lacal Leaf Collector

**START SAVING TODAY! CONTACT LACAL BY PHONE 800-543-6161 or EMAIL SALES@LACAL.COM**

**ALL PARTS ARE GUARANTEED TO MEET WITH YOUR APPROVAL.** Lacal Equipment, Inc. offers after-market parts for road and highway maintenance equipment. All original equipment manufacturer's names, drawings, colors and part numbers are used for identification purposes only. Lacal is in no way implying that any of our products are original equipment parts.

# MEET LACAL EQUIPMENT



## AND SEE HOW WE'RE DIFFERENT

Whether you need standard or custom replacement parts, made-to-order rubber fabrications, or reconditioning services for street sweepers and leaf collectors, Lactal Equipment can keep your road maintenance machines functioning and your budget intact. We manufacture and distribute high-caliber replacement parts for road and highway maintenance equipment. Lactal products are used across the United States each and every day by cities, counties, states and individual contractors.

Using a mixture of jigs, fixtures, gauges, tools and molds, Lactal manufactures top-quality parts. Our plant is equipped with a wide array of machine tools, enabling us to produce a variety of both standard and special-order parts. Lactal has its own welding shop and powder-coat paint room, as well as an assembly area to allow us to offer our customers their choice of purchasing either individual parts or complete assemblies. Our quality control program ensures that premium specifications and standards are maintained.

In addition to our own products, Lactal has access to almost all of the replacement parts used for highway maintenance equipment. Our trusted vendors deliver reliable goods that meet our stringent demands. Discover how so many keep their machines running for less – with Lactal Equipment! We guarantee you'll be satisfied with your purchase.

**START SAVING TODAY! CONTACT LACAL BY PHONE 800-543-6161 or EMAIL SALES@LACAL.COM**

ALL PARTS ARE GUARANTEED TO MEET WITH YOUR APPROVAL. Lactal Equipment, Inc. offers after-market parts for road and highway maintenance equipment. All original equipment manufacturer's names, drawings, colors and part numbers are used for identification purposes only. Lactal is in no way implying that any of our products are original equipment parts.

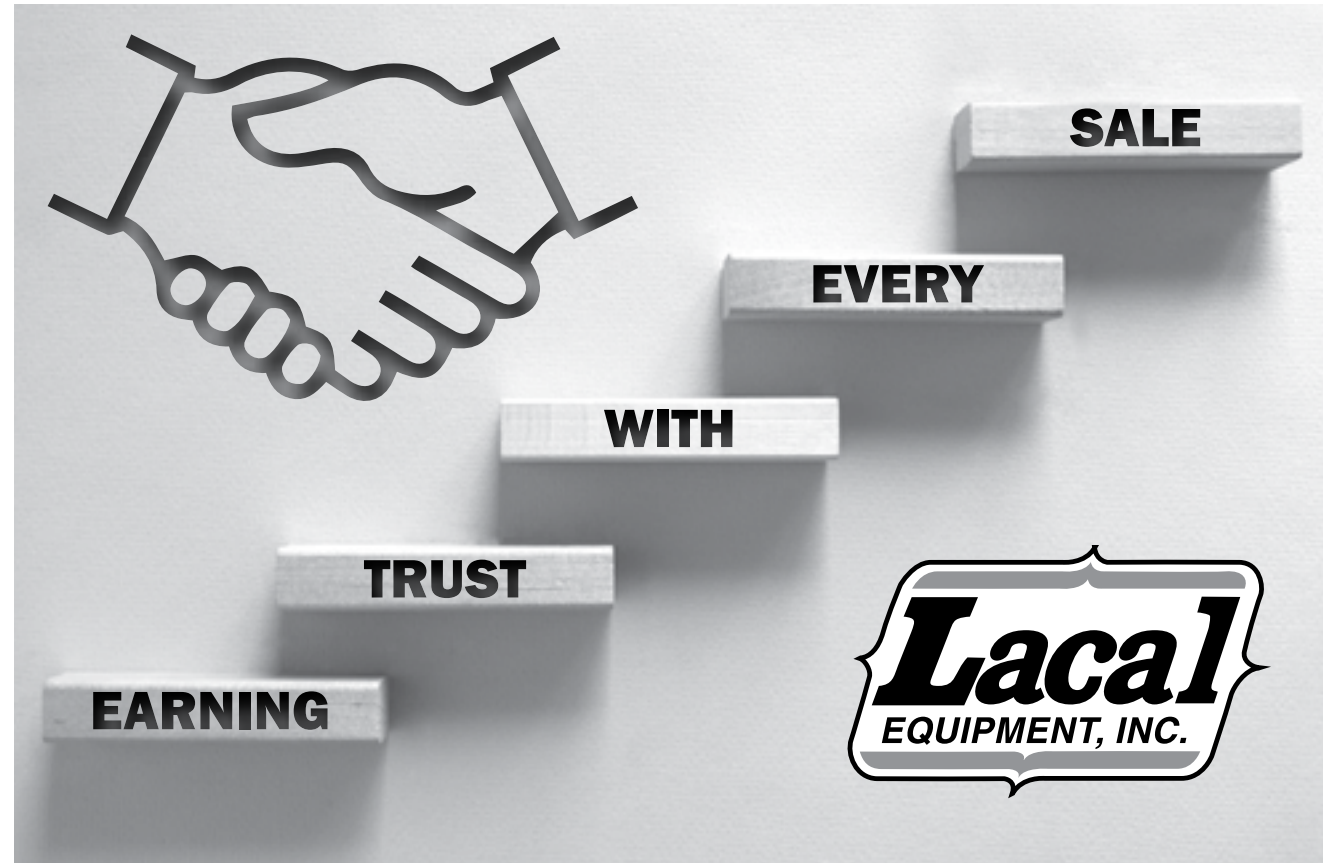


**DESIGN | WELD | MACHINE | POWDER-COAT | REBUILD**



ALL PARTS ARE GUARANTEED TO MEET WITH YOUR APPROVAL. Lactal Equipment, Inc. offers after-market parts for road and highway maintenance equipment. All original equipment manufacturer's names, drawings, colors and part numbers are used for identification purposes only. Lactal is in no way implying that any of our products are original equipment parts.

# Get to Know Lactal Equipment's



- ▶ We have built our business on honesty and integrity, and we continue to remain dedicated to our customer's needs and satisfaction.
- ▶ During our business hours, every phone call to Lactal connects to a live person for your assistance.
- ▶ Our entire staff generously adds their hundreds of years of knowledge and expertise in manufacturing and service to each and every order.
- ▶ Parts not made directly in our own shop are produced only by carefully selected, high-quality vendors.
- ▶ You benefit from our very comprehensive replacement parts catalog and inventory.
- ▶ Customer satisfaction is 100% in every order.
- ▶ Our cost-effective, small-town location not only offers an economical advantage to you, but also enriches our community, state and country.

START SAVING TODAY! CONTACT LACAL BY PHONE 800-543-6161 or EMAIL SALES@LACAL.COM

ALL PARTS ARE GUARANTEED TO MEET WITH YOUR APPROVAL. Lactal Equipment, Inc. offers after-market parts for road and highway maintenance equipment. All original equipment manufacturer's names, drawings, colors and part numbers are used for identification purposes only. Lactal is in no way implying that any of our products are original equipment parts.

# Expert Customer Service Team

With over 130 years of experience, we can help you get the right part, right on time.

*Call Lactal!*



**Dennis Kaverman**  
Florida  
Kansas  
New York  
Nevada  
Wisconsin



**Scott Schmiesing**  
Louisiana  
Michigan  
North Carolina  
Tennessee  
Washington



**Tom Homan**  
California  
Illinois  
New Jersey  
Canada



**Jason Wright**  
Arizona  
Minnesota  
Mississippi  
New Mexico  
Ohio



**Brian Tomsett**  
Alaska  
Hawaii  
Idaho  
Kentucky  
Montana  
Texas  
West Virginia  
Wyoming



**Paul Smith**  
Alabama  
Indiana  
Massachusetts  
Oregon  
Pennsylvania



**Chris Wintrow**  
Colorado  
Georgia  
Iowa  
Maryland  
Nebraska  
New Hampshire  
Utah

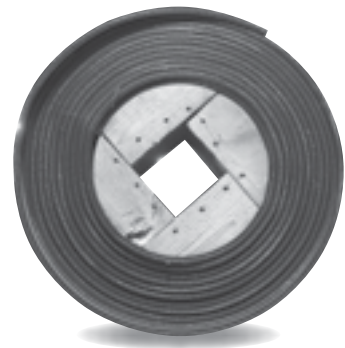


**Brad Bruskotter**  
Arkansas  
Connecticut  
Delaware  
Maine  
Missouri  
North & South Dakota  
Oklahoma  
Rhode Island  
South Carolina  
Virginia • Vermont

START SAVING TODAY! CONTACT LACAL BY PHONE 800-543-6161 or EMAIL SALES@LACAL.COM

ALL PARTS ARE GUARANTEED TO MEET WITH YOUR APPROVAL. Lactal Equipment, Inc. offers after-market parts for road and highway maintenance equipment. All original equipment manufacturer's names, drawings, colors and part numbers are used for identification purposes only. Lactal is in no way implying that any of our products are original equipment parts.

# Customized Orders Are Our Specialty



## Rubber Fabrication

Our custom rubber services include cutting, slitting and punching high-quality two-ply corded belting to your specifications. We can produce pieces ranging from 1" to 60" wide from our rolled stock, in varying thicknesses. Lacal is able to meet almost any need with a quick turnaround times. Call today to get started!



### NEARLY UNLIMITED USES:

#### PLOW

Blades  
Deflectors

#### SWEEP

Covers  
Curtain Sets  
Drag Shoes  
Drape  
Seals  
Squeegees  
Suction Baffles

#### MOW

Deflectors  
Flaps

#### LEAF

Deflectors  
Seals

#### AND MORE

Boat Ramp Bumpers  
Storage Shelf Liners  
Link Fence Strips  
Mats

*Send Us Your Designs or Prints For a Free Quote!*



**IN STOCK NOW!**

### Choose From:

- 1/4" (.250") thick
- 5/16" (.3125") thick
- 3/8" (.375") thick
- 7/16" (.4375") thick
- 1/2" (.500") thick

*Other thicknesses also available in limited quantities. Just ask!*



START SAVING TODAY! CONTACT LACAL BY PHONE 800-543-6161 or EMAIL SALES@LACAL.COM

ALL PARTS ARE GUARANTEED TO MEET WITH YOUR APPROVAL. Lacal Equipment, Inc. offers after-market parts for road and highway maintenance equipment. All original equipment manufacturer's names, drawings, colors and part numbers are used for identification purposes only. Lacal is in no way implying that any of our products are original equipment parts.

# Customized Orders Are Our Specialty

## SPREADER CHAINS

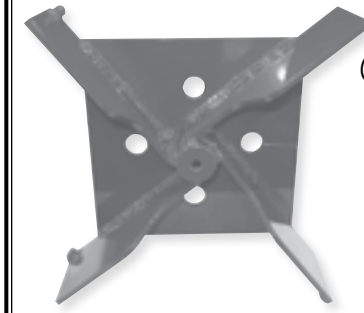


We double-weld the top and bottom bars to increase strength and durability.

**NOW AVAILABLE IN BELT-OVER-CHAIN!**

SEE MORE INFO ON PAGE 10  
OR CALL LACAL TODAY: 800.543.6161

## LEAF IMPELLERS



Choose a customized impeller guaranteed to fit your machine. Constructed of high-quality USA steel.

SEE MORE INFO ON PAGE 103  
OR CALL LACAL TODAY: 800.543.6161

## MADE TO YOUR EXACT DIMENSIONS

### REMODEL YOUR LEAF MACHINE BEFORE FALL



Get that old, run-down leaf machine back to like-new condition for a fraction of the cost of new. Maximize your investment and keep your equipment running!

SEE MORE INFO ON PAGES 100-101 OR CALL LACAL TODAY: 800.543.6161

### LET US REVAMP THAT STREET SWEEPER!



Our years of experience makes Lacal the leading choice for rebuilding your sweeper, no matter the make or model.

WE'VE WORKED ON THESE BRANDS AND WE'RE ALWAYS LOOKING FOR MORE:  
**CHALLENGER • ELGIN • JOHNSTON • MOBIL • SCHWARZE • STEWART-AMOS • TYMCO**

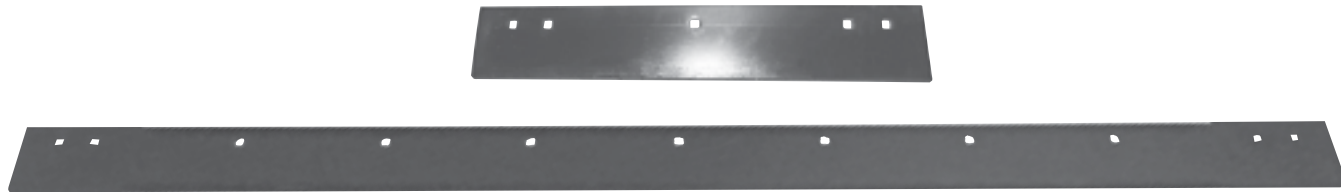
WE'RE READY TO TACKLE THE CHALLENGE OF YOUR MACHINE!

SEE MORE INFO ON PAGES 18-19 OR CALL LACAL TODAY: 800.543.6161

START SAVING TODAY! CONTACT LACAL BY PHONE 800-543-6161 or EMAIL SALES@LACAL.COM

ALL PARTS ARE GUARANTEED TO MEET WITH YOUR APPROVAL. Lacal Equipment, Inc. offers after-market parts for road and highway maintenance equipment. All original equipment manufacturer's names, drawings, colors and part numbers are used for identification purposes only. Lacal is in no way implying that any of our products are original equipment parts.

THESE ARE OUR MOST POPULAR REPLACEMENT PARTS • MANY MORE PARTS AVAILABLE – JUST ASK!



## Metal Plow Blades

### STEEL

(MEASUREMENTS SHOWN AS THICKNESS X WIDTH X LENGTH)

ITEM NUMBER	DESCRIPTION
LSSP44997	1/2" X 6" X 40-3/4"
SB1/2X6X090	1/2" X 6" X 90" WESTERN PRO PLUS (64775)
SB1/2X6X090FMT	1/2" X 6" X 90" MEYER
SB1/2X6X090FWT	1/2" X 6" X 90" WESTERN
SB1/2X6X096FMT	1/2" X 6" X 96" WESTERN PRO PLUS (63980)
SB1/2X6X096FMT	1/2" X 6" X 96" MEYER
SB1/2X6X096FWT	1/2" X 6" X 96" WESTERN
SB1/2X6X102	1/2" X 6" X 102" WESTERN PRO PLUS (63985)
SB1/2X6X102FMT	1/2" X 6" X 102" MEYER
SB1/2X6X102FWT	1/2" X 6" X 102" WESTERN
SB1/2X6X108	1/2" X 6" X 108" WESTERN PRO PLUS (63990)
SB1/2X6X108FST	1/2" X 6" X 108" SINGLE EDGE, STD. HWY. PUNCH*
SB1/2X6X120FST	1/2" X 6" X 120" SINGLE EDGE, STD. HWY. PUNCH*
SB1/2X6X132FST	1/2" X 6" X 132" SINGLE EDGE, STD. HWY. PUNCH*

### STEEL

(MEASUREMENTS SHOWN AS THICKNESS X WIDTH X LENGTH)

ITEM NUMBER	DESCRIPTION
SB5/5X6X108FST	5/8" X 6" X 108" SINGLE EDGE, STD. HWY. PUNCH*
SB5/8X6X120FST	5/8" X 6" X 120" SINGLE EDGE, STD. HWY. PUNCH*
SB5/8X6X132FST	5/8" X 6" X 132" SINGLE EDGE, STD. HWY. PUNCH*
SB5/8X6X144FST	5/8" X 6" X 144" SINGLE EDGE, STD. HWY. PUNCH*
SB5/8X8X108FST	5/8" X 8" X 108" SINGLE EDGE, STD. HWY. PUNCH*
SB5/8X8X120FST	5/8" X 8" X 120" SINGLE EDGE, STD. HWY. PUNCH*
SB5/8X8X132FST	5/8" X 8" X 132" SINGLE EDGE, STD. HWY. PUNCH*
SB5/8X8X144FST	5/8" X 8" X 144" SINGLE EDGE, STD. HWY. PUNCH*

### CARBIDE

(MEASUREMENTS SHOWN AS THICKNESS X WIDTH X LENGTH)

ITEM NUMBER	DESCRIPTION
CB3/4X6X036FSTC	3/4" X 6" X 36" SINGLE EDGE, STD. HWY. PUNCH*
CB3/4X6X048FSTC	3/4" X 6" X 48" SINGLE EDGE, STD. HWY. PUNCH*

\*"Standard Highway Punch" refers to a 3 - 3 - 12 punch pattern. The blade will be punched 3" from each end, again 3" from the first end punch, and then every 12" inches across the blade. The photos above feature this pattern.



## BLADE SIZE NOT LISTED?

Call 800.543.6161 Today!

Lacal Equipment has many other sizes and punch patterns available for your snow plow. Contact your sales representative today to access our entire inventory!

## Polyurethane Plow Blades

AVAILABLE IN A LARGE VARIETY OF SIZES.  
WE'LL PUNCH THE BLADES IN-HOUSE  
TO YOUR SPECIFICATIONS.

Polyurethane Blades are ultra-flexible – even at temperatures well below zero! Amazingly, they are tough enough to outlast both rubber and steel plow blades while being gentle on road surfaces like cobblestone, brick, pavers, curbs, speed bumps and more.

Don't Forget  
RETAINING STRIPS  
& HARDWARE

START SAVING TODAY! CONTACT LACAL BY PHONE 800-543-6161 or EMAIL SALES@LACAL.COM

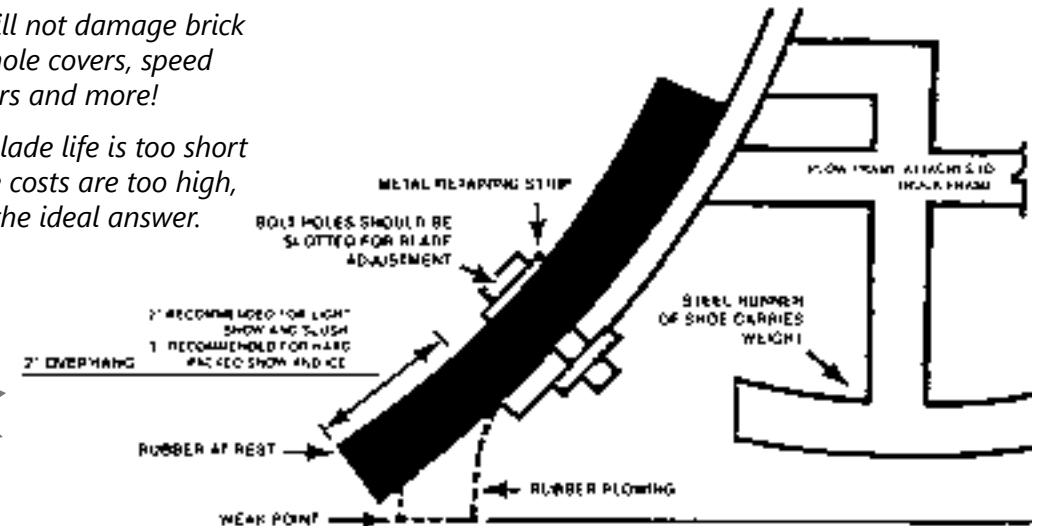
ALL PARTS ARE GUARANTEED TO MEET WITH YOUR APPROVAL. Lacal Equipment, Inc. offers after-market parts for road and highway maintenance equipment. All original equipment manufacturer's names, drawings, colors and part numbers are used for identification purposes only. Lacal is in no way implying that any of our products are original equipment parts.

THESE ARE OUR MOST POPULAR REPLACEMENT PARTS • MANY MORE PARTS AVAILABLE – JUST ASK!

## Rubber Plow Blades

Rubber plow blades will not damage brick streets, curbs, manhole covers, speed bumps, reflectors and more!

Whenever steel plow blade life is too short or blade maintenance costs are too high, rubber blades are the ideal answer.



### SIZES:

We stock Rubber Blades in the following standard sizes:

1" x 6" • 1.5" x 8" • 1.5" x 10" • 1.5" x 12"

Blade width selection is based on equipment and operating conditions. The following guidelines may be used to determine blade width: "V" plows, 12" width; front-mounted plows, 10" width; underbody-mounted plows and graders, 8" width.

### LENGTHS:

Using your exact specifications, Lacal cuts all rubber plow blade orders to length before creating your desired bolt holes for proper mounting. Bulk rubber is available cut into desired lengths or uncut in stock 50-ft. lengths.

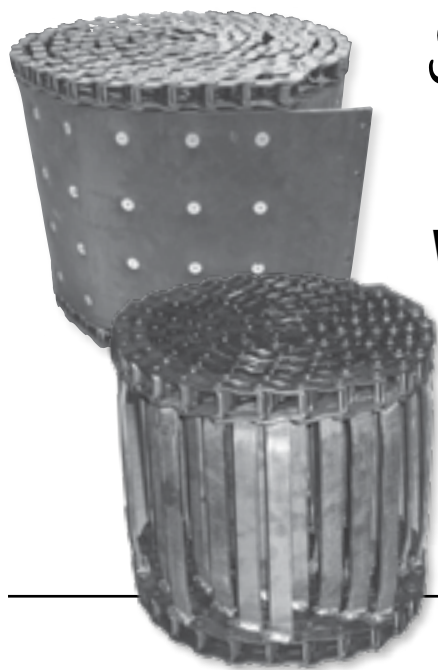


\*"Standard Highway Punch" refers to a 3/3/12 punch pattern. The blade will be punched 3" from each end, again 3" from the first end punch, and then every 12" inches across the blade. The photos on page 14 feature this pattern.

START SAVING TODAY! CONTACT LACAL BY PHONE 800-543-6161 or EMAIL SALES@LACAL.COM

ALL PARTS ARE GUARANTEED TO MEET WITH YOUR APPROVAL. Lacal Equipment, Inc. offers after-market parts for road and highway maintenance equipment. All original equipment manufacturer's names, drawings, colors and part numbers are used for identification purposes only. Lacal is in no way implying that any of our products are original equipment parts.

THESE ARE OUR MOST POPULAR REPLACEMENT PARTS • MANY MORE PARTS AVAILABLE – JUST ASK!



## Spreader Chain: Made to Order




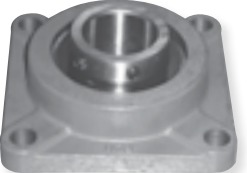
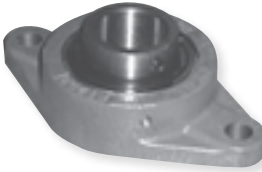
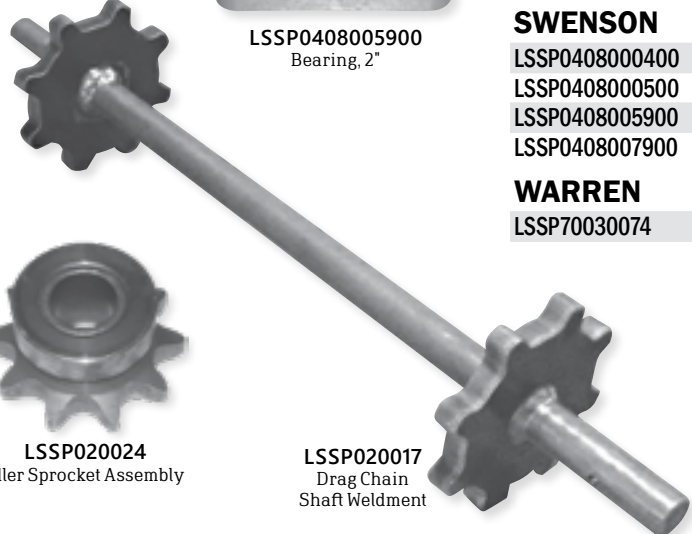
**BELT OVER CHAIN NOW AVAILABLE**

**WE DOUBLE WELD TOP & BOTTOM BARS TO INCREASE STRENGTH**

Available in standard sizes (88K, 662, 667H, 667X, 667XH) customized to your width and length. Bar thicknesses available in 1/4", 3/8" or 1/2". See the "Spreader Chain Worksheet" at [www.lacal.com/worksheets](http://www.lacal.com/worksheets), then call for more information.

**800.543.6161**

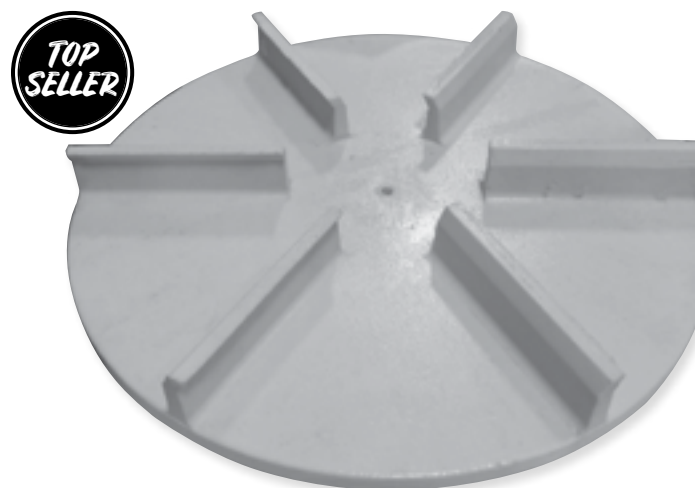
## Spreaders & Sanders

	<b>LSSP006977</b> Sprocket	<b>FLINK</b>	LSSP006977 SPROCKET
	<b>LSSP70030074</b> Auger	<b>MONROE</b>	LSSP05030007 BEARING
	<b>LSSP020024</b> Idler Sprocket Assembly	LSSP05033003 SPROCKET, 1-1/2" BORE	<b>SWENSON</b>
	<b>LSSP0408005900</b> Bearing, 2"	LSSP0408000400 FLANGE BEARING, 1-1/2", 2-BOLT	LSSP0408000500 BEARING, 1-1/4"
	<b>LSSP0408000400</b> Flange Bearing	LSSP0408005900 BEARING, 2", 4-BOLT	LSSP0408007900 BEARING, 1" TAP BASE
	<b>LSSP70030074</b> Auger	<b>WARREN</b>	LSSP70030074 AUGER

START SAVING TODAY! CONTACT LACAL BY PHONE 800-543-6161 or EMAIL SALES@LACAL.COM

ALL PARTS ARE GUARANTEED TO MEET WITH YOUR APPROVAL. LACAL Equipment, Inc. offers after-market parts for road and highway maintenance equipment. All original equipment manufacturer's names, drawings, colors and part numbers are used for identification purposes only. LACAL is in no way implying that any of our products are original equipment parts.

THESE ARE OUR MOST POPULAR REPLACEMENT PARTS • MANY MORE PARTS AVAILABLE – JUST ASK!



LSSP20CCW  
CCW Poly Spinner, 20"



Spinner Hubs

## Spinners, Hubs and Motors

### POLYURETHANE SPINNERS

LSSP12CW	12" CLOCKWISE
LSSP14CCW	14" COUNTER-CLOCKWISE
LSSP14CW	14" CLOCKWISE
LSSP14STR	14" STRAIGHT FIN
LSSP16CW	16" CLOCKWISE
LSSP18CCW	18" COUNTER-CLOCKWISE
LSSP18CW	18" CLOCKWISE
LSSP18STR	18" STRAIGHT FIN
LSSP20CCW	20" COUNTER-CLOCKWISE
LSSP20CW	20" CLOCKWISE
LSSP20STR	20" STRAIGHT FIN
LSSP22CCW	22" COUNTER-CLOCKWISE
LSSP22CW	22" CLOCKWISE
LSSP22STR	22" STRAIGHT FIN
LSSP24CCW	24" COUNTER-CLOCKWISE
LSSP24CW	24" CLOCKWISE
LSSP24STR	24" STRAIGHT FIN

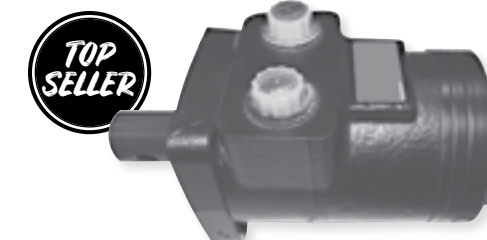
### SPINNER HUBS

LSSPHK18	SPINNER HUB WITH KEYWAY
LSSPHT18B	STANDARD HUB
LSSPHT18SP	SALT SPINNER HUB, SPECIAL
LSSPHT18SPB	HUB, SPECIAL
LSSPHU14	SPINNER HUB W/KEYWAY & THRU HOLE

### HYDRAULIC SPINNER MOTORS

	MOUNT. FLANGE	SHAFT	PORT
LSSP1011001	4-BOLT	1" KEYED	1/2" NPTF*
LSSP1011003	4-BOLT	1" KEYED	1/2" NPTF*
LSSP1011004009	4-BOLT	1" KEYED	1/2" NPTF*
LSSP1011007	4-BOLT	1" KEYED	1/2" NPTF*
LSSP1011008009	4-BOLT	1" KEYED	1/2" NPTF*
LSSP1011009009	4-BOLT	1" KEYED	7/8-14 O-RING
LSSP1011011	4-BOLT	1" KEYED	7/8-14 O-RING
LSSP1011025	2-BOLT	1" KEYED	1/2" NPTF*
LSSP1011032	2-BOLT	1" KEYED	1/2" NPTF*
LSSP1011033	2-BOLT	1" KEYED	7/8-14 O-RING
LSSP1011034	2-BOLT	1" KEYED	7/8-14 O-RING
LSSP1011313	4-BOLT	1" W/CROSS HOLE	1/2" NPTF*
LSSP1011314	4-BOLT	1" W/CROSS HOLE	1/2" NPTF*

\*NPTF = National Pipe Taper Fuel (Dryseal)



LSSP1011313  
Hydraulic Motor

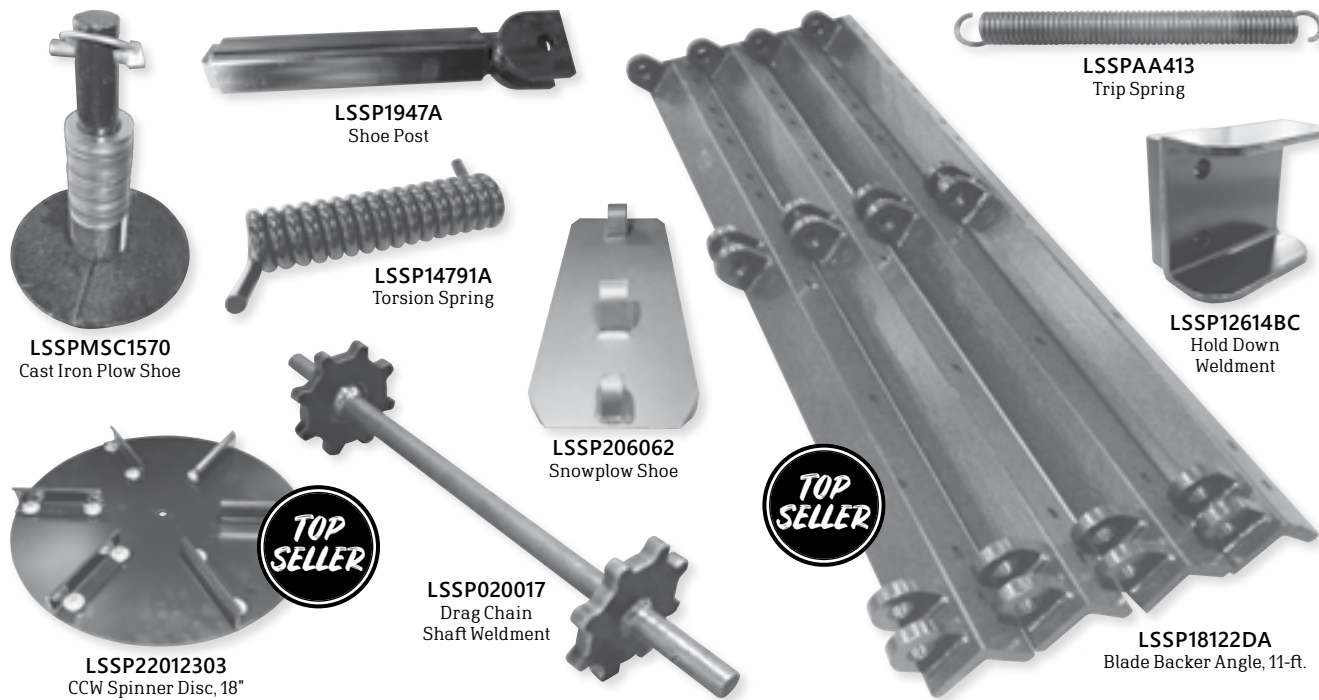


LSSP1011001  
Hydraulic Motor

START SAVING TODAY! CONTACT LACAL BY PHONE 800-543-6161 or EMAIL SALES@LACAL.COM

ALL PARTS ARE GUARANTEED TO MEET WITH YOUR APPROVAL. LACAL Equipment, Inc. offers after-market parts for road and highway maintenance equipment. All original equipment manufacturer's names, drawings, colors and part numbers are used for identification purposes only. LACAL is in no way implying that any of our products are original equipment parts.

**THESE ARE OUR MOST POPULAR REPLACEMENT PARTS • MANY MORE PARTS AVAILABLE – JUST ASK!**



**LSSPMSC1570**  
Cast Iron Plow Shoe

**LSSP1947A**  
Shoe Post

**LSSPAA413**  
Trip Spring

**LSSP14791A**  
Torsion Spring

**LSSP12614BC**  
Hold Down Weldment

**LSSP206062**  
Snowplow Shoe

**LSSP18122DA**  
Blade Backer Angle, 11-ft.

**LSSP020017**  
Drag Chain Shaft Weldment

**LSSP22012303**  
CCW Spinner Disc, 18"

**TOP SELLER**

**TOP SELLER**

**BOSS**

LSSP1304750	STEEL BLADE, 3/8" x 6" x 90"
LSSP1304754	PLOW BLADE, 1/2" x 6" x 108"
LSSP1304760	HALF V-PLOW, 1/2" x 6" x 43-7/8"
LSSPBAL08858	RH CUTTING EDGE
LSSPBAL08859	CUTTING EDGE, HALF FORMED, DR, 8'-2", V RT3
LSSPHYD12285	CYLINDER
LSSPMSC01501	OUTER PLOW SHOE
LSSPMSC01509	TRIP SPRING, 14-1/2"
LSSPMSC04253	SNOW CATCHER KIT
LSSPMSC1570	CAST IRON PLOW SHOE
LSSPSTB3003	STEEL PLOW BLADE, 96"
SB1/2X6X055FBT	CUTTING EDGE HALF, 9.2-FT

**COATES**

LSSPAA413	TRIP SPRING
LSSPH231	SKID SHOE

**FISHER**

LSSP1303305	SHOE, 7"
LSSP27359	STEEL BLADE, 1/2" x 8" x 108"
LSSP44891	LH CENTER CUTTING EDGE
LSSP44997	3/4 STEEL BLADE, 1/2" x 6" x 40"
LSSPA5516	SNOW PLOW SHOE, 6"

**FLINK**

LS6357012	SOLENOID COIL
LSSPGBLH501508	50:1 WORM GEAR ASSEMBLY
LSSP006977	SPROCKET
LSSP014781S4	QUICK DETACH PIN
LSSP015239HS	AUGER
LSSP015452	SINGLE STAGE AUGER

**FLINK**

LSSP015460	AUGER
LSSP020017	DRAG CHAIN SHAFT WELD.
LSSP020024	IDLER SPROCKET ASSEMBLY
LSSP02042854	DEFLECTION ASSEMBLY
LSSP020428S4	DEFLECTOR WELDMENT
LSSP020433	SPINNER HUB
LSSP021057	SPROCKET ASSEMBLY
LSSP021064	IDLER ROLLER WELD
LSSP021130	GATE JACK
LSSP021133	SWIVEL HANDLE GATE ADJ. BAR
LSSP021878	SPROCKET ASSEMBLY
LSSP021963	BOLT ANGLE WELD ASSEMBLY
LSSP022671S4	BOLT ANGLE ASSEMBLY
LSSP028360S4	UPPER CHUTE
LSSP030562	METAL SPINNER VEIN
LSSP203145	BLADE BACKER WELDMENT
LSSP204492	PINS
LSSP206061F	CAST WEAR RUNNER ADAPT
LSSP206062	SNOWPLOW SHOE
LSSP206267	SHOE CHAIN
LSSP408B	QUICK DETACH HAIR PIN COTTER
LSSP410A	COMPRESSION SPRING
LSSP420M	THRUST BEARING
LSSP421S3	PILLOW BLOCK BEARING, 1-1/2"
LSSP421S4	4-BOLT BEARING, 1-1/8"
LSSP421X	FLANGE BEARING W/COLLAR
LSSP462F11	AUGER HYDRAULIC MOTOR
LSSP462F3	HYDRAULIC MOTOR
LSSP612F	CASTER SHANK
LSSPA8671	SPINDLE CAP SCREW
LSSPAA8670	CASTER WHEEL W/AXLE

**FONTAINE**

LSSP22000711	TAKEUP ADJUSTER
LSSP22012303	CCW SPINNER DISC, 18"

**GLEDHILL**

LS1072837B	FLANGE
LSSP11284A	SPACER
LSSP11690B	BLADE BACKER ANGLE, 48"
LSSP11880B	PIPE
LSSP11881B	ROD
LSSP11882B	ROD ASSEMBLY
LSSP12436DAA	ANGLE
LSSP12614BC	HOLD DOWN WELDMENT
LSSP12648DB	TRIP EDGE WELDMENT
LSSP13080AC	RUBBER BUMPER STOP
LSSP13282C	BLADE SAVER
LSSP13464B	CONNECTING LINK
LSSP13466B	CONNECTING LINK
LSSP14681A	SHOE POST
LSSP14791A	TORSION SPRING
LSSP14830C	RAM ANCHOR CASTING
LSSP15311A	CYL. PIN, PRT, 1-1/4" x 9"
LSSP15345A	PIN ASSEMBLY W/COTTER, 1-1/4" x 8"
LSSP15346A	PIN ASSY, 1-1/4" x 6-1/2"
LSSP18121DA	BLADE BACKER ANGLE, 10-FT
LSSP18122DA	BLADE BACKER ANGLE, 11-FT
LSSP18125DA	BLADE BACKER ANGLE, 12-FT
LSSP19132A	RH SLIDE WELDMENT
LSSP19133A	LH SLIDE WELDMENT
LSSP1947A	SHOE POST
LSSP1980D3	TRIP SPRING

**START SAVING TODAY! CONTACT LACAL BY PHONE 800-543-6161 or EMAIL SALES@LACAL.COM**

**THESE ARE OUR MOST POPULAR REPLACEMENT PARTS • MANY MORE PARTS AVAILABLE – JUST ASK!**



**LSSP351C**  
Crank With Knob

**LSSP7628A**  
HD Adjusting Screw, 1-1/4"

**LSSP6611A**  
STD. HOUSING

**LSSP6511A2**  
LH Curb Shoe

**LSSP9748A**  
HD Mushroom Shoe Post

**LSSP7230A22**  
HD Mushroom Shoe Assembly

**LSSP62100281**  
Lift Arm Weldment

**LSSP62100138**  
Plow Coupling

**LSSP6611A**  
Standard Housing

**GLEDHILL**

LSSP2666D1	HD CAST PLOW SHOE
LSSP2666D1SP	WELDED SKID SHOE, 8 x 15
LSSP351C	CRANK W/KNOB
LSSP3546B	STD. MUSHROOM SHOE POST
LSSP4747A	SHOCK SPRING
LSSP4748A	RETAINER RING
LSSP4759A	ADJUSTING SCREW
LSSP4816A	CRANK BLOCK
LSSP4817A	CRANK HANDLE
LSSP5175A146	PIN
LSSP5175A193	PIN, 1-15/16" x 26-1/4"
LSSP5175A55	PIN W/2 COTTERS
LSSP5308A114	BOLT & LOCKNUT
LSSP5308A17	BOLT
LSSP5308A24	BOLT
LSSP5308A245	BOLT ASSEMBLY, 1/2" x 3"
LSSP5308A4	BOLT ASSEMBLY
LSSP5308A410	BOLT ASSEMBLY
LSSP5322A3	SHACKLE
LSSP5750A	STD. ADJUSTING SCREW
LSSP5937A1	BEARING ASSEMBLY
LSSP5937A6	BEARING
LSSP6511A1	RH CURB SHOE
LSSP6511A2	LH CURB SHOE
LSSP6611A	STD. HOUSING
LSSP7230A11	STD. MUSHROOM ASSEMBLY
LSSP7230A11WOS	STD. ASSEMBLY W/O SHOE
LSSP7230A158	CASTER WHEEL ASSEMBLY, 8"
LSSP7230A22	HD MUSHROOM SHOE ASSY
LSSP7230A22WOS	HD MUSHROOM ASSEMBLY W/O SHOE
LSSP7623A	HD HOUSING

**GLEDHILL**

LSSP7628A	HD ADJUSTING SCREW, 1-1/4"
LSSP8099A	LATCH CASTING WELDMENT
LSSP8112AB	PIN
LSSP8492BFAB	FABRICATED CASTER HOUSING
LSSP8850A2	QCP TONGUE
LSSP9748A	HD MUSHROOM SHOE POST
LSSPA43666	GRAB LINK
LSSPA45145	SPRING
LSSPC311533F	SHACKLE
LSSPP10473	TEE
LSSPP11455	D.A. RAM M/PR2, 4" x 20"
LSSPP11462	D.A. LIFT RAM, 3" x 10"
LSSPP11466	S.A. LIFT RAM, 3" x 10"
LSSPP11494	D.A. CYLINDER, 4" x 12"
LSSPP1325	LIFT CHAIN ASSEMBLY, 60"
LSSPP1331	REPAIR LINK
LSSPQCPHF1	TRUCKSIDE HITCH PORTION
LSSP62100002R	SHOE

**GOOD ROADS**

LSSP62100031	SWIVEL BLOCK
LSSP62100124	CASTER STEM ASSEMBLY
LSSP62100127	COMPLETE WHEEL ASSEMBLY
LSSP62100131	OUTSIDE SPRING BOX SPRING
LSSP62100132	INSIDE SPRING BOX SPRING
LSSP62100133	SPRING BOX SPRING, RECOIL
LSSP62100136	TENSION ROD WELDMENT
LSSP62100138	PLOW COUPLING
LSSP62100145	OUTSIDE TUBE WELDMENT
LSSP62100151	HANDLE
LSSP62100153	WHEEL SHAFT WELDMENT
LSSP62100156	CASTER SPRING ASSEMBLY
LSSP62100157	CASTER STEM WELDMENT

**GOOD ROADS**

LSSP62100159	ADJUSTING BOLT
LSSP62100199	TRUNNION ASSEMBLY
LSSP62100200	RH TRUNNION BOSS WELD.
LSSP62100201	LH TRUNNION BOSS WELD.
LSSP62100204	INSIDE TUBE ASSEMBLY
LSSP62100214	RIVET PIN, 1" x 3"
LSSP62100239	SPRING BOX ASSEMBLY
LSSP62100241	LIFT CHAIN ASSEMBLY
LSSP62100242	LIFT RING WELDMENT
LSSP62100248	LH HINGE PLATE
LSSP62100249	RH HINGE PLATE
LSSP62100250	HINGE
LSSP62100276	BOLT BLOCK
LSSP62100281	LIFT ARM WELDMENT
LSSP62100288	ANGLE BOLT
LSSP62100289	CLAMP PIN WELDMENT
LSSP62100292	YOKE WELDMENT
LSSP62100295	AXLE HITCH WELDMENT
LSSP62100386	CASTER STEM ASSEMBLY
LSSP62100387	SHOE WELDMENT
LSSP62100729	PUSH FRAME WELDMENT, 42"
LSSP62100749	REAR CHANNEL WELDMENT
LSSP62102064	JACK MODIFICATION
LSSP62102068	MOUNTING ANGLE
LSSP62103921	PLATE ASSY KEY MOUNTING
LSSP62106005	IDLER SHAFT WELDMENT
LSSP62107558	TAKE-UP PLATE WELDMENT
LSSP62107755	SIDE DEFLECTOR FLAP WELD.
LSSP62107768	DOOR WELDMENT
LSSP90690075	BEARING
LSSPP99806368	CUSHION VALVE
LSSPW80158	BOLT-ON CASTER HSG. WELD.

**START SAVING TODAY! CONTACT LACAL BY PHONE 800-543-6161 or EMAIL SALES@LACAL.COM**

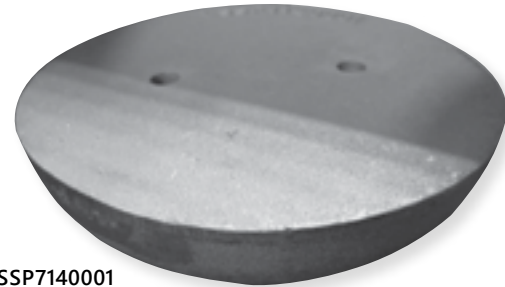
THESE ARE OUR MOST POPULAR REPLACEMENT PARTS • MANY MORE PARTS AVAILABLE – JUST ASK!



LSSP1990041  
Acme Screw Assembly



LSSP1990019  
Crank Weldment



LSSP7140001  
2-Bolt Mushroom Shoe



LSSP1990411  
Hitop Runner, 1 x 6



LSSP0010848200  
Direct Drive Adapter

**HENDERSON**

LSSP02122	CHAIN TIGHTENER BEARING
LSSP02123	BRACKET
LSSP07149304	SPACER
LSSP110335	EXTENDED CHUTE ASSY, 12"
LSSP118163	HYDRAULIC MOTOR
LSSP1390088	SHAFT ROD
LSSP21331	DRIVE SPROCKET, 8 TH
LSSP60197304	FEEDGATE
LSSP75208	FEEDGATE JACK
LSSP78499	BEARING
LSSP83591	CASTER, 10"
LSSP84573	IDLER SHAFT
LSSP86523304	CHUTE
LSSP88047	CASTER SHOE
LSSP95130	CAST JOIN BALL, 2-1/2 PIPE

**HENKE**

LSSP13001560	EST SHAFT END
LSSP19000296P	CASTER SCREW LOCK
LSSP1900A0247	MUSHROOM SHOE ADAPTER
LSSP1990019	CRANK WELDMENT
LSSP1990041	ACME SCREW ASSEMBLY
LSSP1990046M	MUSHROOM SHOE ASSY, 11"
LSSP1990057P	REAR INNER TUBE FOR STD RUNNER
LSSP1990062	YOKE ASSEMBLY, 4.80 x 8
LSSP1990066	MOUNTING ASSEMBLY, RG TO PF
LSSP1990376	OUTER TUBE WELDMENT
LSSP1990411	HITOP RUNNER, 1 x 6
LSSP43000037	LONG SPRING SHAFT
LSSP7080704	CYLINDER, 3 x 10

**HENKE**

LSSP7081226	POWER ANG CYLINDER, 3 x 10 x 2 D.A.
LSSP7090231	COUNTER-BALANCE VALVE
LSSP7140001	2-BOLT MUSHROOM SHOE
LSSPA2100A0258	OUTER TUBE WELDMENT

**HI-WAY**

LSSP11775	SPROCKET
LSSP20735	SET SCREW
LSSP20811	COTTER PIN, 3/32" x 3/4"
LSSP2242	SALT SPINNER HUB
LSSP23742	SPROCKET
LSSP26651	SHAFT
LSSP26653	DRIVE SPROCKET MACHINING 6T
LSSP26688	SPROCKET
LSSP26812	SPROCKET
LSSP26816	PILLOW BLOCK BEARING
LSSP26888	SPINNER DISC
LSSP26889	SPINNER SHAFT
LSSP2696	SET COLLAR
LSSP29919AA	SPACER CHAIN ROLLER
LSSP3054	BEARING
LSSP39636	SPINNER SHAFT
LSSP58806	HYDRAULIC MOTOR
LSSP58896	RUBBER WASHER
LSSP6122	SHEAR PIN
LSSP6123	DIRECT HYD. CLEVIS PIN
LSSP6299	CLEVIS PIN, 1/4 x 1-5/16
LSSP6693	BEARING
LSSP74323	SHAFT
LSSP79708	SHAFT
LSSP79709	DRIVE COUPLING

**HI-WAY**

LSSP86437	SPINNER SHAFT
LSSP87757	SPINNER ASSEMBLY
LSSP96066	RUBBER WASHER
LSSP99420	BEARING
LSSP99711	SPINNER SHAFT

**MEYER**

LSSP07006	SHOE RUNNER
LSSP09126	RUNNER/SPINDLE ASSEMBLY
LSSP09362	MUSHROOM SHOE
LSSP09796HD	SS PLOW BLADE, 1/2" x 6" x 90"
LSSP10559	FRAME
LSSP22375	PIVOT PIN
SB1/2X6X055FMC	FSE STEEL BLADE
SB1/2X6X090FMT	STEEL PLOW BLADE, TOP PUNCHED
SB1/2X6X102FMT	CUTTING EDGE, 8.5-FT

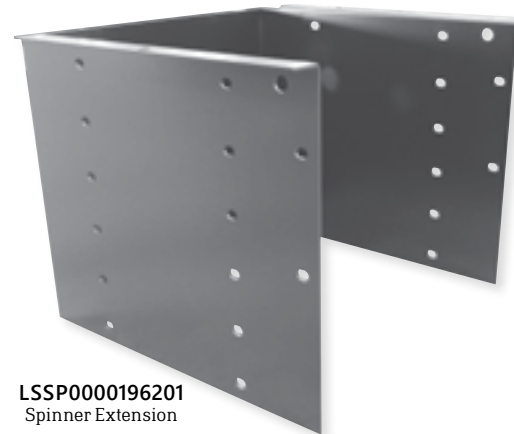
**MONROE**

LSSP00011653	STEEL CASTER WHEEL, 8"
LSSP00017719	TANK SADDLE
LSSP00032786	BEARING ADJUSTING ASSY
LSSP00041156A	STABILIZER ROD WELDMENT
LSSP00041967	OUTER TUBE JACK ASSEMBLY, SQ. TUBE
LSSP00051022	PIPE, COLLAR, CRANK
LSSP00051027	OUTER TUBE ASSEMBLY
LSSP00051035	JACK ASSEMBLY
LSSP00051036	INNER TUBE JACK ASSEMBLY, SQ. TUBE
LSSP00051201	OUTER TUBE WELDMENT
LSSP00051202	INNER TUBE WELDMENT

START SAVING TODAY! CONTACT LACAL BY PHONE 800-543-6161 or EMAIL SALES@LACAL.COM

ALL PARTS ARE GUARANTEED TO MEET WITH YOUR APPROVAL. Local Equipment, Inc. offers after-market parts for road and highway maintenance equipment. All original equipment manufacturer's names, drawings, colors and part numbers are used for identification purposes only. Local is in no way implying that any of our products are original equipment parts.

THESE ARE OUR MOST POPULAR REPLACEMENT PARTS • MANY MORE PARTS AVAILABLE – JUST ASK!



LSSP0000196201  
Spinner Extension



LSSP0408000400  
2-Bolt Flange Bearing, 1-1/2"



LSSP05033003  
Sprocket, 1-1/2" Bore



LSSP0410112500  
Hydraulic Motor



LSSP0010533700  
Baffle Weldment



LSSP0010718000  
Coupling Flange

**MONROE**

LSSP00051203	ADJUSTMENT HANDLE WELD
LSSP00052867	SKID SHOE W/JACK KIT PAIR
LSSP00098356	SKID SHOE MOUNTING BRKT
LSSP00098357	SKID SHOE
LSSP00146626	AUGER
LSSP00198095	AUGER WELDMENT
LSSP05000000	DOUBLE ACTING CYLINDER
LSSP05002950	CYLINDER SEAL KIT
LSSP05006445	HYDRAULIC MOTOR
LSSP05006795	SEAL SAVER SPINNER MOTOR
LSSP05006803	HYDRAULIC MOTOR
LSSP05006805	HYD. CONV CHAIN MOTOR
LSSP05022074	SAFETY CLIP
LSSP05022221	PIN ASSEMBLY W/ROLLER, FITTING & NUT
LSSP05033003	SPROCKET, 1-1/2" BORE
LSSP05033004	DRIVE SPROCKET
LSSP05039001	IDLER SHAFT, 2" x 32" ,.5"KW, MSV
LSSP05051418	BALL FEET
LSSPFB128	AUGER SENSOR

**ROOT**

LSSP121700	REV. CYLINDER BUSHING
LSSP122000	CYLINDER MAIN ROD
LSSP12205	DOUBLE SPRING ROD
LSSP12225	SPRING RETAINER
LSSP12500	AXLE SHAFT BOLT KIT
LSSP12595	CASTER ASSEMBLY
LSSP126200	PNEUMATIC HUB ASSEMBLY
LSSP126250	RIM
LSSP126460	PNEUMATIC AXLE SHAFT, 5.70 x 8 TIRE ONLY

**SWENSON**

LSSP0000196201	SPINNER EXTENSION
LSSP0000234503	LADDER
LSSP0010066700	IDLER SHAFT, 9TH SPROCKET
LSSP0010118000	DRIVE SPROCKET, 9 TH.
LSSP0010118100	IDLER SPROCKET, 9 TH
LSSP0010322000	SPROCKET
LSSP0010461300	DRIVE SHAFT
LSSP0010533700	BAFFLE WELDMENT
LSSP0010537300	EV SPINNER WELDMENT
LSSP0010638100	EV SPINNER WELDMENT, SS
LSSP0010718000	COUPLING FLANGE (EV100, -EV150)
LSSP0010818000	SPROCKET (EV200)
LSSP0010825401	AUGER, 162"
LSSP0010825403	AUGER, 10-FT
LSSP0010825404	AUGER, 9-FT
LSSP0010848200	DIRECT DRIVE ADAPTER
LSSP0010894200	EXTENSION WELDMENT, SS
LSSP0010911300	SPACER
LSSP0010942801	BATTERY CASE WELD., SS
LSSP0010944700	SPINNER DISK
LSSP0010979400	SIDE PLATE 2-PIPE DETACH BRACKET
LSSP0011117700	AUGER WELDMENT
LSSP0011118301	FLOW-COVER, -S3, (LONG)
LSSP0011129300	DRIVE SLEEVE
LSSP0011129400	AUGER INSERT
LSSP0011170800	ENGINE SHROUD WELD., SS
LSSP0011197502	SHORT FLOW COVER, SS
LSSP0011253801	DRIVE SHAFT (APB)
LSSP0011253901	IDLER SHAFT (APB)
LSSP0011591700	CHANNEL

**SWENSON**

LSSP0011592401	PUMP MOUNT BRACKET, SS
LSSP0011594500	TOP SUPPORT WELDMENT
LSSP0011594703	STRAP ROD, 135 GAL.
LSSP0011614304	TANK STOP ANGLE
LSSP0011639400	LADDER LATCH
LSSP0011710000	AUGER
LSSP0011776500	TANK PAN SPACER
LSSP0011988700	SHAFT
LSSP0012178700	LOWER LADDER
LSSP0012179000	UPPER LADDER
LSSP0403804101	COUPLER
LSSP0404112200	SPROCKET
LSSP0406702700	LADDER CATCH CABLE
LSSP0407800100	DISC ORIFICE
LSSP0407801400	NOZZLE CORE
LSSP0408000300	4-BOLT BEARING, 1-1/4"
LSSP0408000400	2-BOLT FLANGE BRG., 1-1/2"
LSSP0408000500	BEARING, 1-1/4"
LSSP0409102300	COMPRESSION SPRING
LSSP0409104000	COMPRESSION SPRING
LSSP0410109400	HYDRO WHEEL MOTOR
LSSP0410112500	HYDRAULIC MOTOR
LSSP0410112501	SEAL KIT FOR 04101-125-00
LSSP0413206213	OUTPUT SHAFT

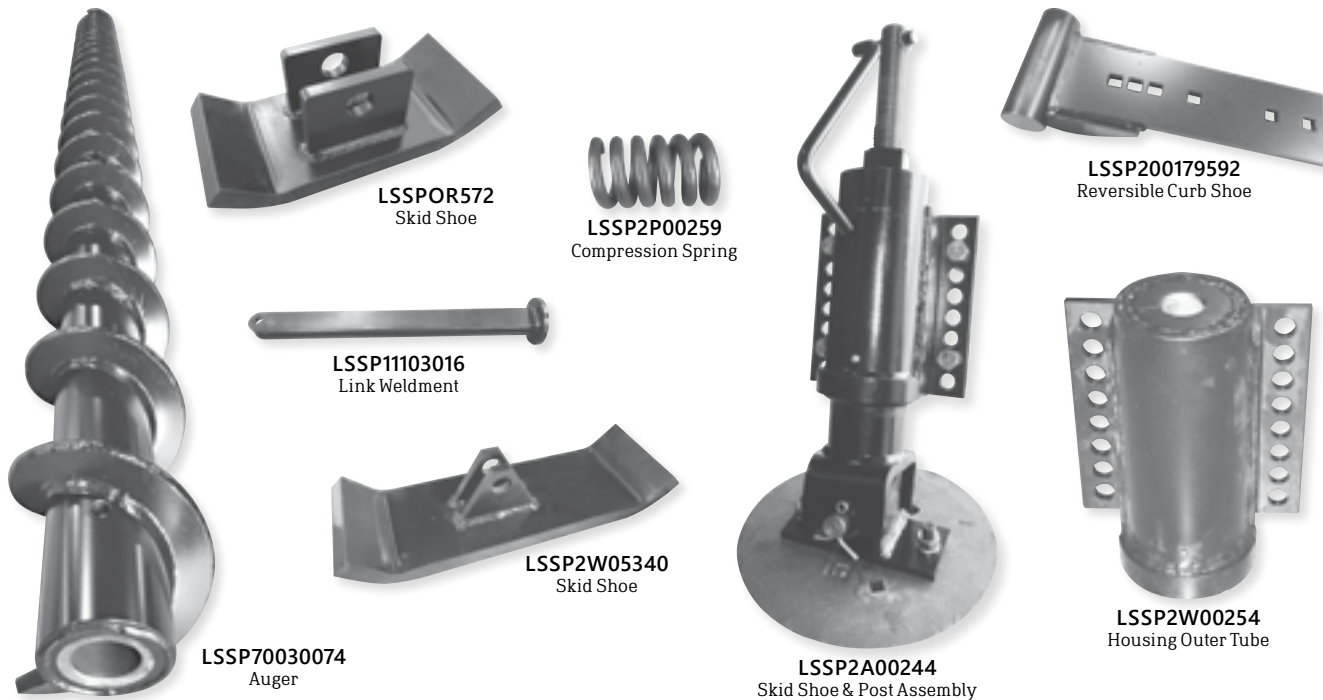
**WHERE'S THE PART THAT I NEED?**  
CALL 800.543.6161  
to access our expansive inventory of parts.

START SAVING TODAY! CONTACT LACAL BY PHONE 800-543-6161 or EMAIL SALES@LACAL.COM

ALL PARTS ARE GUARANTEED TO MEET WITH YOUR APPROVAL. Local Equipment, Inc. offers after-market parts for road and highway maintenance equipment. All original equipment manufacturer's names, drawings, colors and part numbers are used for identification purposes only. Local is in no way implying that any of our products are original equipment parts.



THESE ARE OUR MOST POPULAR REPLACEMENT PARTS • MANY MORE PARTS AVAILABLE – JUST ASK!



**SWENSON**

LSSP0413206315	OUTPUT SHAFT
LSSP0413206336	INPUT SHAFT
LSSP0413213417	GASKET
LSSP0415005000	ELECTRIC MOTOR AUGER TAILGATE
LSSP0415005100	SPINNER MOTOR
LSSP0462206300	SHAFT COUPLING
LSSP0600800000	SPINNER DISC, 18"
LSSP0601600100	GATE JACK W/LNG CRANK
LSSP0602200100	DRAG CHAIN SPROCKET
LSSP0602200300	DRIVE SPROCKET, 1-1/2"
LSSP0604300100	RH/LH SPINNER-SHIELD
LSSP0607000300	HINGE PIN
LSSP0906100000	SHAFT W/6 TOOTH SPROCKET

**VALK**

LSSPBH25011	ANGLE BOLT
LSSPBH25012	SERRATED LOCK BLOCK
LSSPBH2508	YOKE
LSSPHY310DA2	CYLINDER
LSSPKS572	SPECIAL SKID SHOE, 6" x 15"
LSSPOR401	CASTER ASSEMBLY W/SHOE
LSSPOR540	CASTER WHEEL AXLE, 1" DIA.
LSSPOR572	SKID SHOE
LSSPOR575	WEAR SHOE PIN
LSSPPFR672	COMPRESSION SPRING BOLT
LSSPPFR676	BACK CHANNEL
LSSPR619	MOLDBOARD SHOE
LSSPRTP250	BOLT-ON CASTER HOUSING
LSSPVG11011	TRIP EDGE, 11-FT
LSSPVG111	TRIP EDGE SPRING

**VIKING**

LSSP001161	ADJUSTABLE SHOE BRACKET
LSSP002225	HANDLE ASSEMBLY
LSSP005730	OUTER TUBE WELDMENT
LSSP00800024	BRACKET
LSSP00800025	STRUT WELDMENT
LSSP11101040	LH SHOE ASSEMBLY 12 SCREW CAST
LSSP11103015	CENTER BAR WELDMENT
LSSP11103016	LINK WELDMENT
LSSP11103019	CASTER WHEEL INNER PIPE WELD
LSSP11110013	STOP BLOCK
LSSP1801572	TWIN CYL POWER REV METRO
LSSP180590	THURST BEARING
LSSP200179592	REVERSIBLE CURB SHOE
LSSP280110A	MUSHROOM SHOE, 12" DIA
LSSP80010	PLOW SHOE

**WARREN**

69-04	AUGER, 14-FT
LSSP20006117	IDLER SHAFT
LSSP20007902	SPINNER HUB
LSSP20016501	SPINNER COUPLER
LSSP20016601	SPINNER SHAFT
LSSP30030022	SHAFT SPINNER
LSSP30030024	BEARING
LSSP30030034	SPINNER DISC ASSEMBLY
LSSP300300904	DRIVE SHAFT
LSSP30030168	SHAFT
LSSP30030227	ADJUSTING BOLT
LSSP30030890	BLOCK SPACER
LSSP40030013	HYDRAULIC MOTOR
LSSP70030054	SPROCKET
LSSP70030074	AUGER

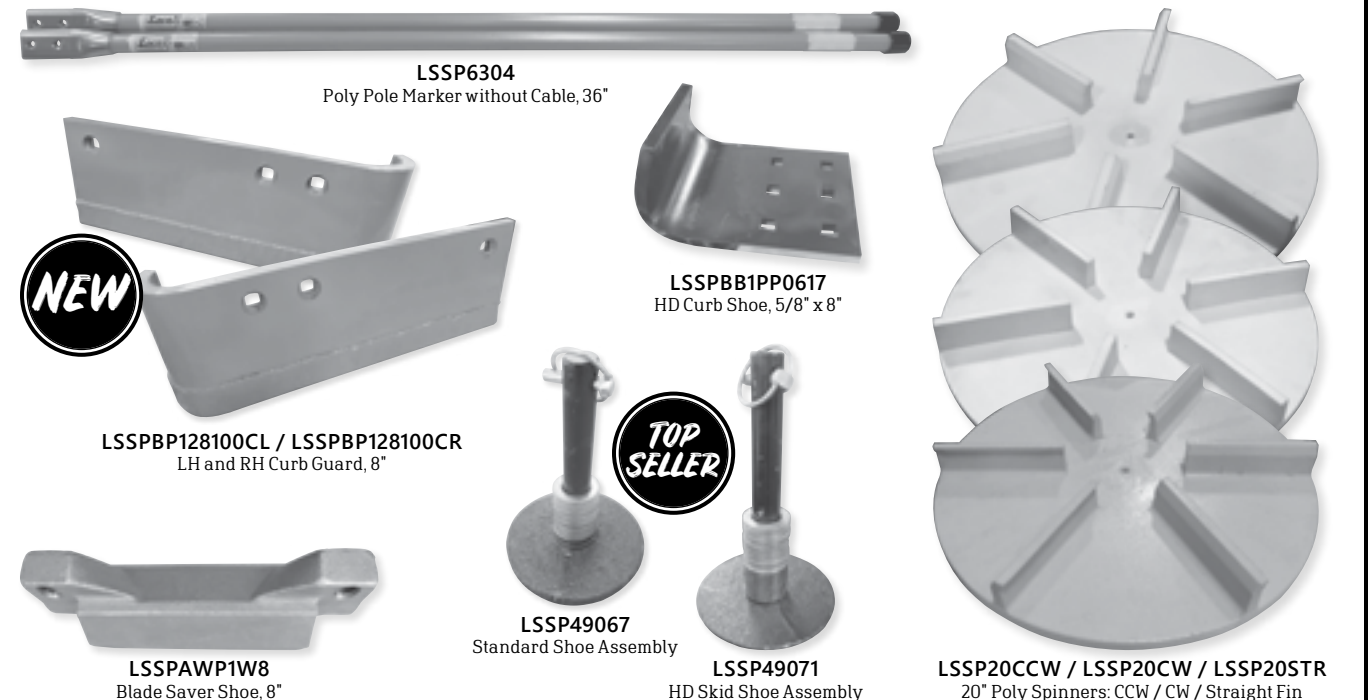
**WARREN**

LSSP70080032	CHAIN
LSSP70080033	MASTER LINK

**WAUSAU**

LSSP2A00244	SKID SHOE & POST ASSEMBLY
LSSP2A00251	ADJUSTER SCREW
LSSP2P00048	U-BOLT
LSSP2P00259	COMPRESSION SPRING
LSSP2P00261	ADJUSTER SCREW CRANK
LSSP2P00262	PIVOT
LSSP2P00386	PIN
LSSP2W00212	PLOW SHOE W/O HARD-FACE
LSSP2W00212HS	PLOW SHOE W/HARD-FACE
LSSP2W00245	PIVOT CONNECTION
LSSP2W00250	HOUSING INNER TUBE
LSSP2W00254	HOUSING OUTER TUBE
LSSP2W00257	JAM NUT WELDMENT
LSSP2W05340	SKID SHOE
LSSP2W12756	TRIP EDGE WELDMENT, 10-FT
LSSP2W12918	TRIP EDGE WELDMENT, 11-FT
LSSP2W13506	BACK PLATE WELDMENT
LSSP2W13508	UPPER A-FRAME WELDMENT
LSSP2W13509	LOWER A-FRAME WELDMENT
LSSP2W14276	MOLDBOARD WELD., 10-FT
LSSP2W14366	MOLDBOARD WELD., 11-FT
LSSP56811532	CASTER WELDMENT
LSSP6870160820	BOLT
LSSPS6270066810	PLASTIC BUSHING
LSSPW2P01048	ARROWHEAD BRACKET
LSSPW2W18866	METAL LINK
LSSPW4W06409	LIFT ARM WELDMENT

THESE ARE OUR MOST POPULAR REPLACEMENT PARTS • MANY MORE PARTS AVAILABLE – JUST ASK!



**WESTERN**

CB3/4X6X108	PRO PLUS BLADES, 9-FT (2 x 54")
LSSP1304218	POWER ANGLING CYLINDER
LSSP1308210	2 BLADE GUIDE ASSEMBLY
LSSP1311204	V-PLOW BLADE, HALF
LSSP1311208	CUTTING EDGE CENTER KIT
LSSP1311213	BACKDRAG BLADE, 8.5-FT
LSSP23039	TRIP SPRING
LSSP25200	LIFT CYLINDER, 1-1/2" x 6"
LSSP285811	HARNESS PLOW CONTROL
LSSP29351	BOLT KIT, 5/8"
LSSP442771	MVP PRO+ WIDEOUT SHOE KIT
LSSP442851	CUTTING EDGE KIT
LSSP44404	SINGLE CURB GUARD
LSSP49067	STANDARD SHOE ASSEMBLY
LSSP49071	HD SKID SHOE ASSEMBLY
LSSP49348	WESTERN PRO BLADE
LSSP49567	PLOW MODULE, 2 PORT
LSSP53595	HD SHOE ASSEMBLY
LSSP56131	4-POST SOLENOID
LSSP56750	D. A. ANGLE, 2" x 11"
LSSP56830	HYDRAULIC HOSE
LSSP60045	SHOE SPACER, 1-1/2" LONG
LSSP60825	RUBBER CUTTING EDGE, 7.5-FT
LSSP62504	BOLT KIT
LSSP62556	RUBBER CUTTING EDGE, 9-FT
LSSP63979	SHOCK ABSORBER
LSSP65909	DRIVE SPROCKET MACHINING 6T
LSSP66812	PIVOT PIN KIT
LSSP66895	STEEL BLADE, 1/2" x 6" x 108"
LSSP67847	ULTRA MOUNT SHOE ASSY
LSSP67855	PIVOT BOLT KIT

**WESTERN**

LSSP72617	STAND ASSEMBLY PS
LSSP72618	STAND ASSEMBLY DS
LSSP78066	SPROCKET
LSSP86663	CURB GUARD
LSSP86664	CURB GUARD
LSSP90132	BLADE PIVOT KIT
LSSP93010	LINCH PIN
LSSP93063K	CLEVIS PIN KIT
LSSP93100	ELECTRIC SPINNER MOTOR
LSSP93101	PULLEY
LSSP95335	CLEVIS PIN KIT, 3/4 x 4
LSSP96501	BEARING
LSSP99228	SHAFT
LSSP99485	SPINNER
SB1/2X6X090	PRO PLUS BLADE
SB1/2X6X090FWT	STEEL SNOW PLOW BLADE
SB1/2X6X096	PRO PLUS BLADE
SB1/2X6X096FWT	STEEL SNOW PLOW BLADE
SB1/2X6X102	PRO PLUS BLADE
SB1/2X6X102FWT	STEEL SNOW PLOW BLADE
SB1/2X6X108	PRO PLUS BLADE W/SLOTS
SB1/2X6X108FWT	BLADE, NO C/S
SB5/8X6X108W	PLOW BLADE

**UNIVERSAL PARTS**

LSSP06005	POLY SPINNER, 12.75" STRAIGHT FIN
LSSP12CW	POLY SPINNER, 12" CW
LSSP16CW	POLY SPINNER, 16" CW
LSSP18CCW	POLY SPINNER, 18" CCW
LSSP18CW	POLY SPINNER, 18" CW
LSSP18STR	POLY SPINNER, 18" STRAIGHT FIN

**UNIVERSAL PARTS**

LSSP20CCW	POLY SPINNER, 20" CCW
LSSP20CW	POLY SPINNER, 20" CW
LSSP20STR	POLY SPINNER, 20" STRAIGHT FIN
LSSP22CCW	POLY SPINNER, 22" CCW
LSSP22STR	POLY SPINNER, 22" STRAIGHT FIN
LSSP24CCW	POLY SPINNER, 24" CCW
LSSP24CW	POLY SPINNER, 24" CW
LSSP24STR	POLY SPINNER, 24" STRAIGHT FIN
LSSP6303	POLY POLE MARKER WITHOUT CABLE, 28"
LSSP6304	POLY POLE MARKER WITHOUT CABLE, 36"
LSSP6307	POLY POLE MARKER WITH CABLE, 24"
LSSP6308	POLY POLE MARKER WITH CABLE, 28"
LSSP6309	POLY POLE MARKER WITH CABLE, 36"
LSSP6310	POLY POLE MARKER WITH CABLE, 48"
LSSP6310FC	POLY POLE MARKER WITH CABLE, 48"
LSSPAWP1W6	BLADE SAVER SHOE, 6"
LSSPAWP1W8	BLADE SAVER SHOE, 8"
LSSPAWPRR12	MUSHROOM SHOE, 12" ROUND
LSSPBB1PP0616	HD CURB SHOE, 5/8" x 6"
LSSPBB1PP0617	HD CURB SHOE, 5/8" x 8"
LSSPBP128100CL	LH CURB GUARD, 8"
LSSPBP128100CR	RH CURB GUARD, 8"

START SAVING TODAY! CONTACT LACAL BY PHONE 800-543-6161 or EMAIL SALES@LACAL.COM

ALL PARTS ARE GUARANTEED TO MEET WITH YOUR APPROVAL. Local Equipment, Inc. offers after-market parts for road and highway maintenance equipment. All original equipment manufacturer's names, drawings, colors and part numbers are used for identification purposes only. Local is in no way implying that any of our products are original equipment parts.

START SAVING TODAY! CONTACT LACAL BY PHONE 800-543-6161 or EMAIL SALES@LACAL.COM

ALL PARTS ARE GUARANTEED TO MEET WITH YOUR APPROVAL. Local Equipment, Inc. offers after-market parts for road and highway maintenance equipment. All original equipment manufacturer's names, drawings, colors and part numbers are used for identification purposes only. Local is in no way implying that any of our products are original equipment parts.

# Sweeper Reconditioning

YOU SAVE MONEY & PROTECT YOUR INVESTMENT



Lacal Equipment has become an industry leader in reconditioning all makes and models of street and parking lot sweepers for governments and contractors alike, in addition to being an aftermarket manufacturer of high-quality replacement parts. We have reconditioned many models of the well-known brands including Elgin™, Johnston™, Mobil™, Schwarze™, Tymco™ and others. Our modern facility is equipped with state-of-the-art engineering tools, machine and fab shops, powder coat paint system and a knowledgeable parts department to handle those needs as well.

Whether you need something small – like simply replacing a pickup head on a parking lot vacuum sweeper – to something much larger – like a complete rebuild – our skilled technicians have the technical data necessary to do a first-class job on your sweeper. We will take your sweeper down to the bare frame and replace or recondition components as needed.

Lacal can improve your sweeper's performance and extend its service life for much less than buying brand new equipment, just like we did for the Schwarze A4000 shown above. We will work with you and your budget to maximize impact and get you back on the road with some money left in your pocket.

We're always looking for a new challenge here at Lacal, so think of us when you can't imagine spending another frustrating year continuously patching your trusty sweeper. We'll take good care of your machine and return it to its former glory before you have time to miss it!

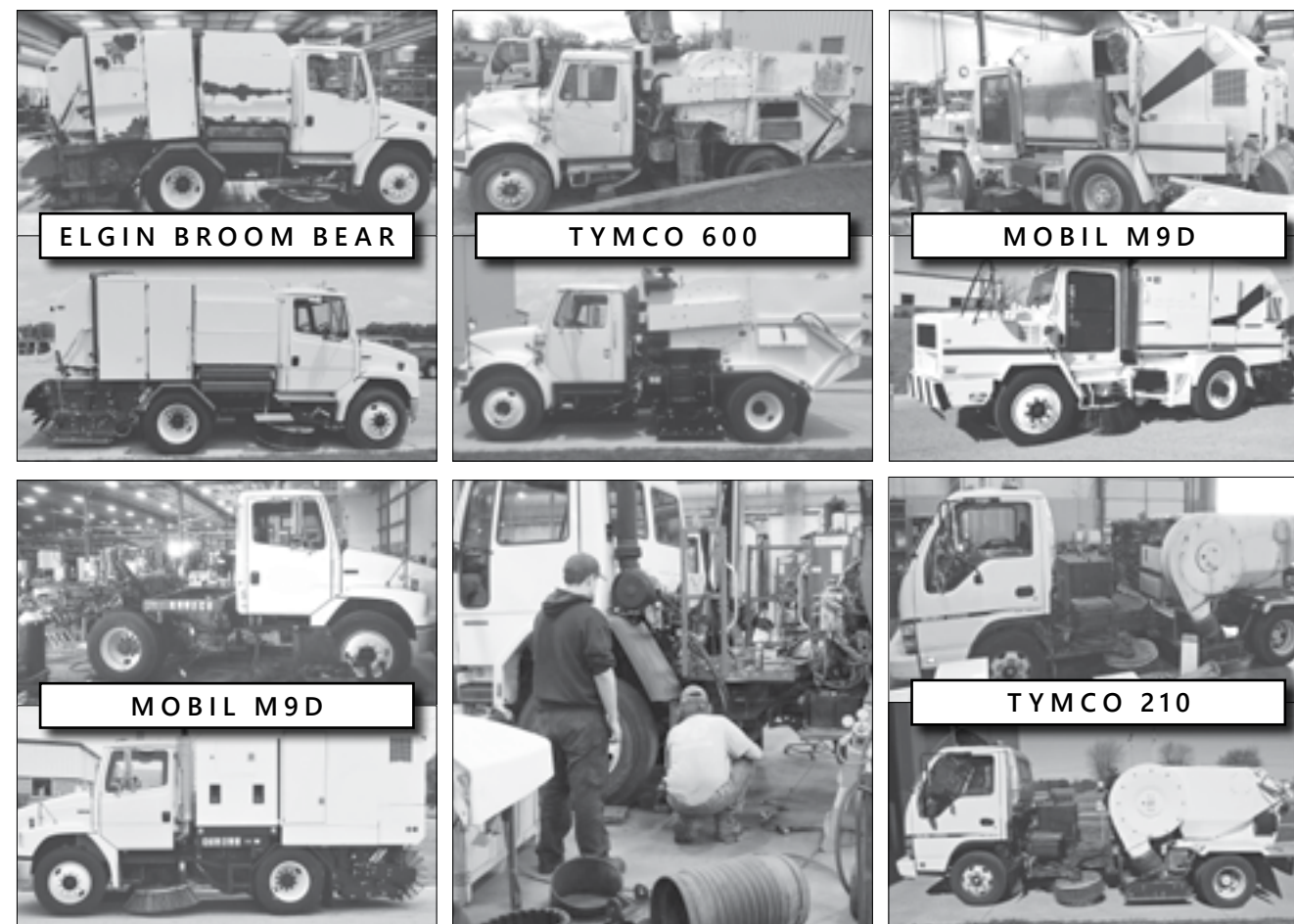


**START SAVING TODAY! CONTACT LACAL BY PHONE 800-543-6161 or EMAIL SALES@LACAL.COM**

ALL PARTS ARE GUARANTEED TO MEET WITH YOUR APPROVAL. Lacal Equipment, Inc. offers after-market parts for road and highway maintenance equipment. All original equipment manufacturer's names, drawings, colors and part numbers are used for identification purposes only. Lacal is in no way implying that any of our products are original equipment parts.

# Sweeper Reconditioning

YOU SAVE MONEY & PROTECT YOUR INVESTMENT



## Sweeper Reconditioning Projects Include These Models:

- |   |   |
|---|---|
| <p><b>CHALLENGER</b></p> <p><b>ELGIN</b> AIR CUB, BROOM BADGER, BROOM BEAR, CROSSWIND J, EAGLE, PELICAN NP/P/S/SE, WHIRLWIND MV</p> <p><b>JOHNSTON</b> 4000, 605</p> <p><b>MOBIL</b> M9D, M9E</p> | <p><b>NITEHAWK</b> RAPTOR</p> <p><b>SCHWARZE</b> A4000, A7000, M5000, M6 AVALANCHE, M6000</p> <p><b>STEWART-AMOS</b> STARFIRE S-4</p> <p><b>SWEEPRITE</b> HUSKY</p> <p><b>TYMCO</b> 210, 435, 500X, 600, DST-6, FHD</p> |
|---|---|

### *I Have A Different Sweeper Brand – Can You Still Work On It?*

We have worked with many different brands and models, and we'll be happy to work with you!

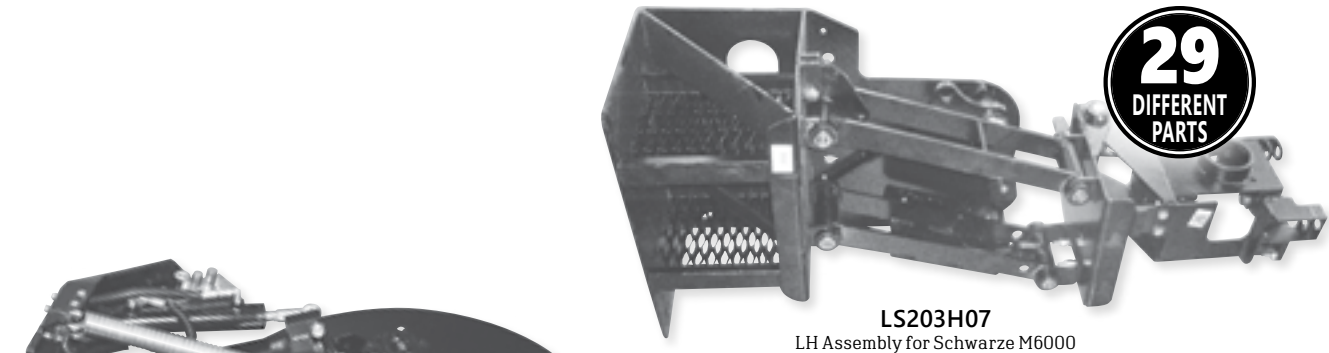
**START SAVING TODAY! CONTACT LACAL BY PHONE 800-543-6161 or EMAIL SALES@LACAL.COM**

ALL PARTS ARE GUARANTEED TO MEET WITH YOUR APPROVAL. Lacal Equipment, Inc. offers after-market parts for road and highway maintenance equipment. All original equipment manufacturer's names, drawings, colors and part numbers are used for identification purposes only. Lacal is in no way implying that any of our products are original equipment parts.

THESE ARE OUR MOST POPULAR REPLACEMENT PARTS • MANY MORE PARTS AVAILABLE – JUST ASK!

# SAVE YOURSELF BOTH TIME & MONEY:

Save your sanity and let the professionals put all the components together. You receive a whole system, delivered direct to you and ready to attach upon arrival. While looking through our catalog, watch for the word "Assembly" (or the abbreviation "Assy") to take advantage of this time-saving option. Here are just a few examples of what is available in our Sweeper category:



**29**  
DIFFERENT PARTS

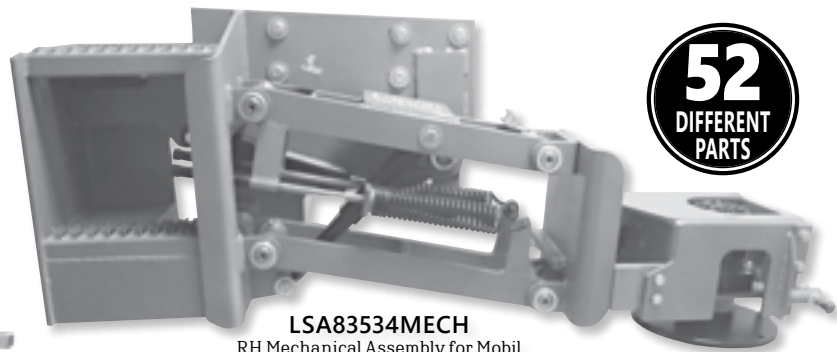
**LS203H07**  
LH Assembly for Schwarze M6000



**19**  
DIFFERENT PARTS

**LS503434 OR LS506552**  
LH Assembly for Tymco 600

## GUTTER BROOMS



**52**  
DIFFERENT PARTS

**LSA83534MECH**  
RH Mechanical Assembly for Mobil



**TOP SELLER**

**LS310948**  
for Johnston Global

**48**  
SEPARATE PIECES

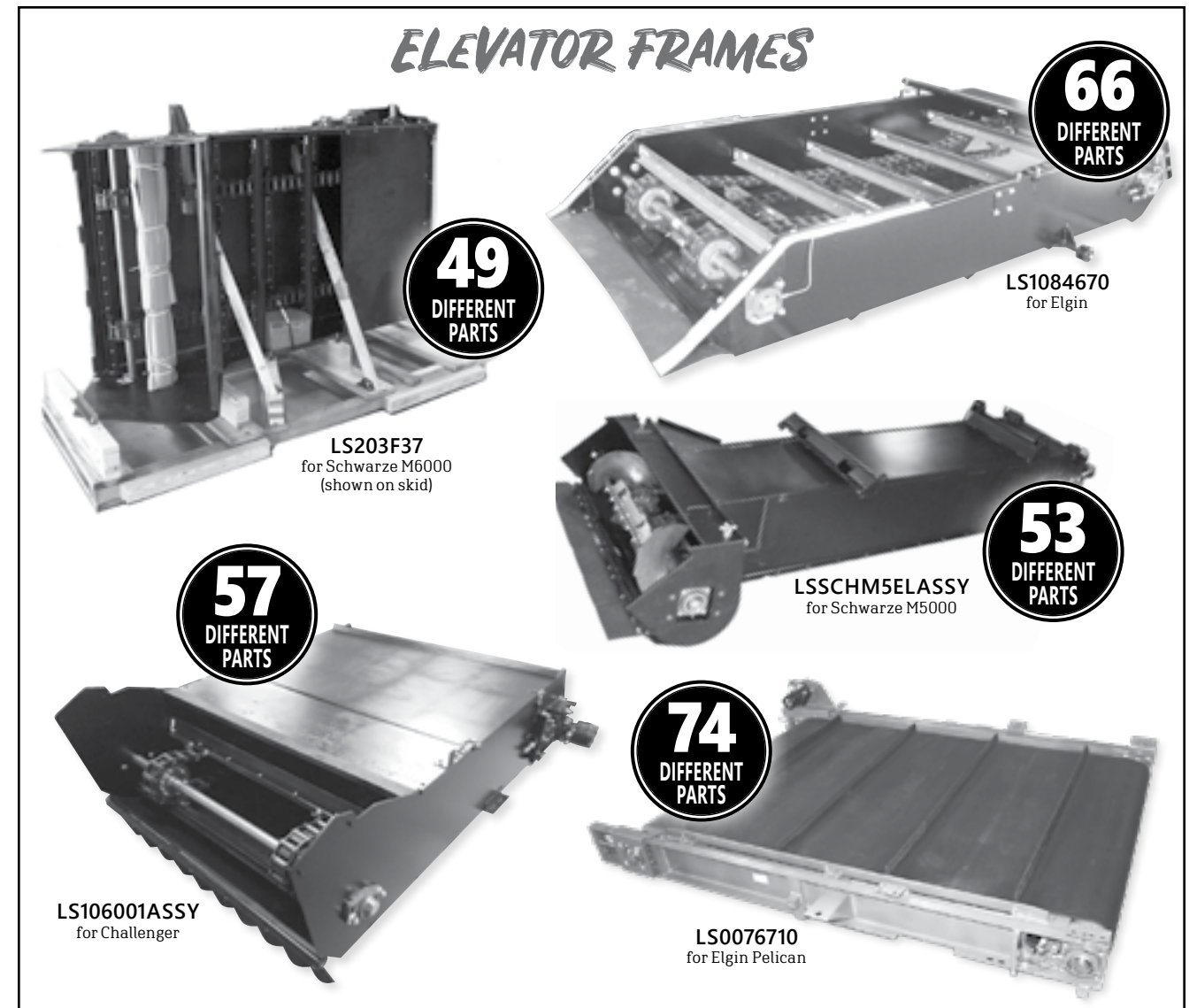
**11**  
DIFFERENT PARTS

START SAVING TODAY! CONTACT LACAL BY PHONE 800-543-6161 or EMAIL SALES@LACAL.COM

ALL PARTS ARE GUARANTEED TO MEET WITH YOUR APPROVAL. Local Equipment, Inc. offers after-market parts for road and highway maintenance equipment. All original equipment manufacturer's names, drawings, colors and part numbers are used for identification purposes only. Local is in no way implying that any of our products are original equipment parts.

THESE ARE OUR MOST POPULAR REPLACEMENT PARTS • MANY MORE PARTS AVAILABLE – JUST ASK!

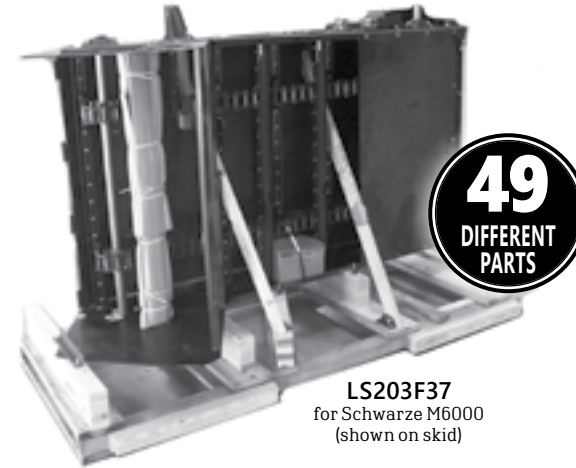
# CHOOSE OUR PRE-ASSEMBLED PARTS!



## ELEVATOR FRAMES

**66**  
DIFFERENT PARTS

**LS1084670**  
for Elgin



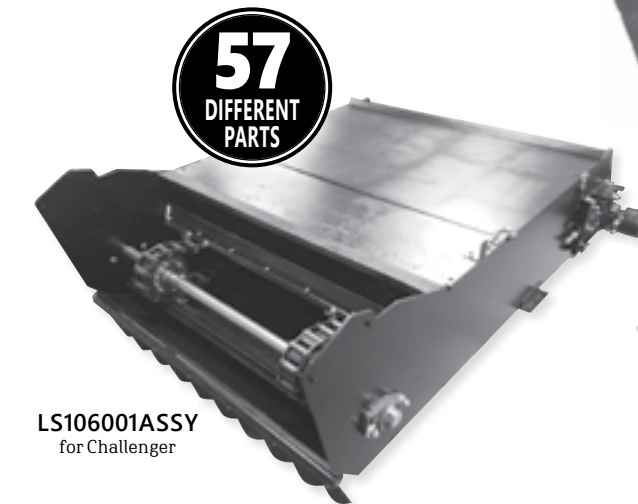
**49**  
DIFFERENT PARTS

**LS203F37**  
for Schwarze M6000  
(shown on skid)



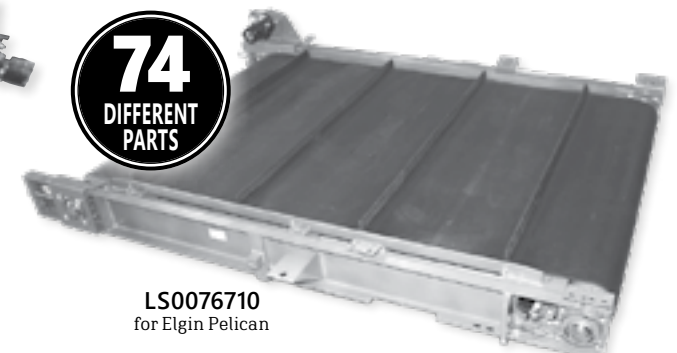
**53**  
DIFFERENT PARTS

**LSSCHM5ELASSY**  
for Schwarze M5000



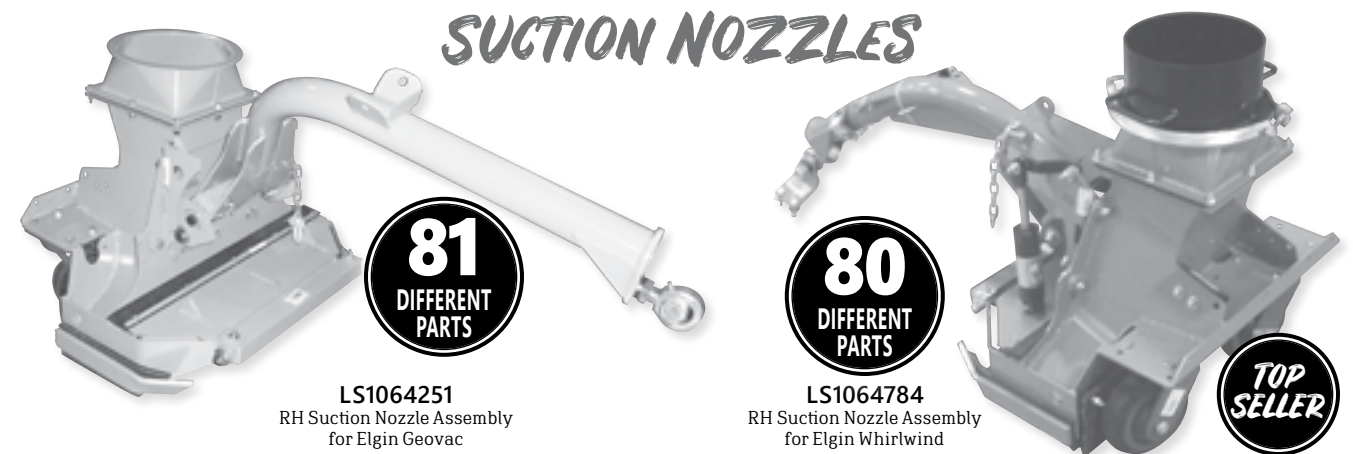
**57**  
DIFFERENT PARTS

**LS106001ASSY**  
for Challenger



**74**  
DIFFERENT PARTS

**LS0076710**  
for Elgin Pelican



## SUCTION NOZZLES

**81**  
DIFFERENT PARTS

**LS1064251**  
RH Suction Nozzle Assembly  
for Elgin Geovac

**80**  
DIFFERENT PARTS

**LS1064784**  
RH Suction Nozzle Assembly  
for Elgin Whirlwind

**TOP SELLER**

START SAVING TODAY! CONTACT LACAL BY PHONE 800-543-6161 or EMAIL SALES@LACAL.COM

ALL PARTS ARE GUARANTEED TO MEET WITH YOUR APPROVAL. Local Equipment, Inc. offers after-market parts for road and highway maintenance equipment. All original equipment manufacturer's names, drawings, colors and part numbers are used for identification purposes only. Local is in no way implying that any of our products are original equipment parts.

THESE ARE OUR MOST POPULAR REPLACEMENT PARTS • MANY MORE PARTS AVAILABLE – JUST ASK!

# SAVE YOURSELF BOTH TIME & MONEY:

Save your sanity and let the professionals put all the components together. You receive a whole system, delivered direct to you and ready to attach upon arrival. While looking through our catalog, watch for the word "Assembly" (or the abbreviation "Assy") to take advantage of this time-saving option. Here are just a few examples of what is available in our Sweeper category:

**14**  
DIFFERENT PARTS

**DIRT SHOES**



LS1016942  
for Elgin

**TOP SELLER**

**BLOWER HOUSINGS & IMPELLERS**

**TOP SELLER**

**49**  
DIFFERENT PARTS

LS1058808 & LS1118852  
for Elgin Crosswind J

**24**  
DIFFERENT PARTS

LSELCGBHIASSY  
for Elgin Crosswind G

**35**  
DIFFERENT PARTS

**448**  
SEPARATE PIECES

LSK9B5STASSY2  
5-Stage for Mobil 9B

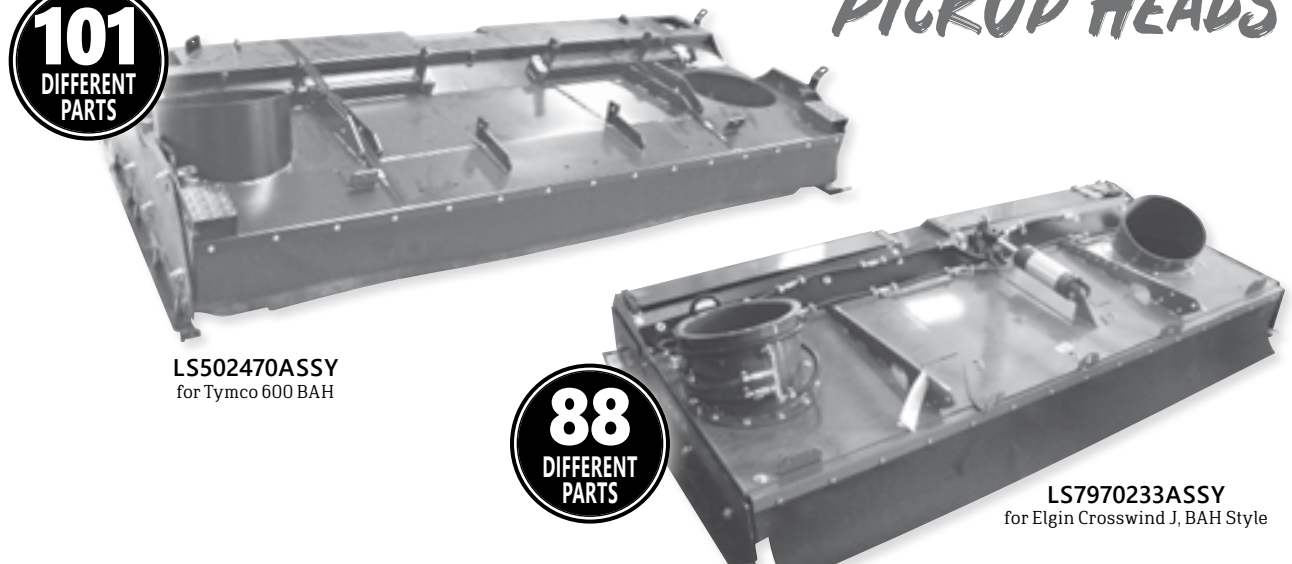
LS5044912505023  
for Tymco 210 SRE (Lined)

THESE ARE OUR MOST POPULAR REPLACEMENT PARTS • MANY MORE PARTS AVAILABLE – JUST ASK!

# CHOOSE OUR PRE-ASSEMBLED PARTS!

**101**  
DIFFERENT PARTS

**PICKUP HEADS**



LS502470ASSY  
for Tymco 600 BAH

**88**  
DIFFERENT PARTS

LS7970233ASSY  
for Elgin Crosswind J, BAH Style

**TOP SELLER**

LS506581  
for Tymco 435

**38**  
DIFFERENT PARTS

LS1043801  
for Elgin Pelican

**22**  
DIFFERENT PARTS

**DIRT HOPPERS**

**17**  
DIFFERENT PARTS

LS522328ASSY  
for Schwarze A4000

START SAVING TODAY! CONTACT LACAL BY PHONE 800-543-6161 or EMAIL SALES@LACAL.COM

ALL PARTS ARE GUARANTEED TO MEET WITH YOUR APPROVAL. Local Equipment, Inc. offers after-market parts for road and highway maintenance equipment. All original equipment manufacturer's names, drawings, colors and part numbers are used for identification purposes only. Local is in no way implying that any of our products are original equipment parts.

START SAVING TODAY! CONTACT LACAL BY PHONE 800-543-6161 or EMAIL SALES@LACAL.COM

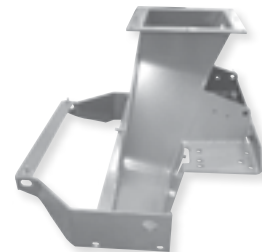
ALL PARTS ARE GUARANTEED TO MEET WITH YOUR APPROVAL. Local Equipment, Inc. offers after-market parts for road and highway maintenance equipment. All original equipment manufacturer's names, drawings, colors and part numbers are used for identification purposes only. Local is in no way implying that any of our products are original equipment parts.

THESE ARE OUR MOST POPULAR REPLACEMENT PARTS • MANY MORE PARTS AVAILABLE – JUST ASK!

# PICKUP HEADS

## FOR ELGIN

- LS0054263 PICKUP HEAD WITH CENTER BROOM SUB-ASSEMBLY
- LS0058809 CROSSWIND J PICKUP HEAD ASSEMBLY
- LS0710112 PICKUP HEAD W/CENTER BROOM KIT
- LS1020313 WHIRLWIND/II/L PICKUP HEAD
- LS1031176 CROSSWIND B PICKUP HEAD
- LS1043131 CROSSWIND G/GE BAH PICKUP HEAD
- LS1043145 CROSSWIND G/GE PICKUP HEAD
- LS1052013 CROSSWIND G PICKUP HEAD ASSEMBLY
- LS1059056 CROSSWIND J PICKUP HEAD (UP TO S/N J0294)
- LS1059115 CROSSWIND J BAH PICKUP HEAD



**LS1063055**  
for Whirlwind MV

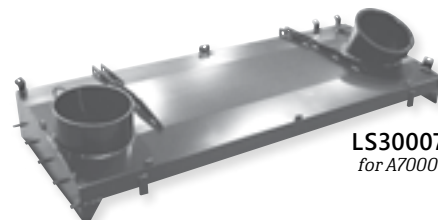
- LS1063055 WHIRLWIND MV NOZZLE PICKUP HEAD
- LS1065651 CROSSWIND J PICKUP HEAD (START S/N J0295)
- LS1065669 FSX PICKUP HEAD
- LS1067369 CROSSWIND J BAH PICKUP HEAD
- LS5719421 AIR CUB PICKUP HEAD
- LS5719933 AIR CUB PICKUP HEAD ASSEMBLY

## FOR JOHNSTON

- LS304659 PICKUP HEAD
- LS304660 VANGUARD PICKUP HEAD ASSEMBLY

## FOR SCHWARZE

- LS203999 A8000 PICKUP HEAD ASSEMBLY
- LS203B30 A7000 ABO PICKUP HEAD ASSEMBLY
- LS203M69 A7000 ADJUSTABLE ORIFICE PICKUP HEAD ASSEMBLY
- LS204P35 A7 PICKUP HEAD ASSEMBLY
- LS300077 A7000 ABO PICKUP HEAD ASSEMBLY



**LS300077W**  
for A7000 ABO

- LS300077W A7000 ABO BARE PICKUP HEAD
- LS520014 A7000 FIXED BLAST ORIFICE BARE PICKUP HEAD
- LS520940 S333/340/344/347/348 BARE PICKUP HEAD
- LS521645 A7000 POWERHOOD PICKUP HEAD
- LS521948 A4000 BARE PICKUP HEAD
- LS522718 A7000 FIXED BLAST ORIFICE BARE PICKUP HEAD WITH QUICK DISCONNECT FLANGES

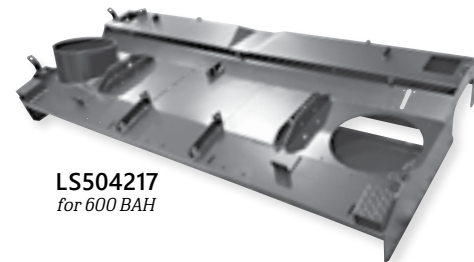
## FOR TYMCO

- LS501286 210/435 BARE PICKUP HEAD WITH ABO BRACKET



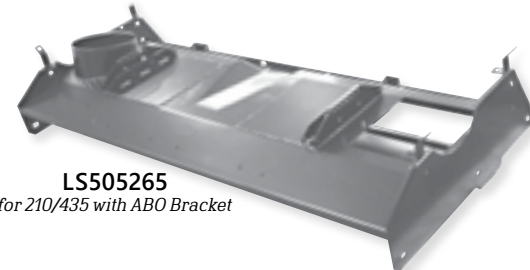
**LS501393**  
for 600

- LS501393 600 BARE PICKUP HEAD
- LS502469 600 BAH BARE PICKUP HEAD
- LS503232 600 HSP PICKUP HEAD ASSEMBLY



**LS504217**  
for 600 BAH

- LS504217 600 BAH BARE PICKUP HEAD
- LS504897 SRE 210/435 PICKUP HEAD



**LS505265**  
for 210/435 with ABO Bracket

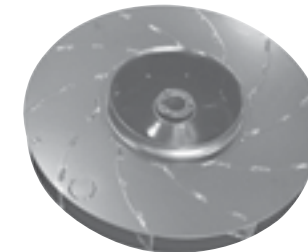
- LS505265 210/435 BARE PICKUP HEAD WITH ABO BRACKET
- LS505437 210/435 PICKUP HEAD ASSEMBLY
- LS505732 DST4 PICKUP HEAD ASSEMBLY
- LS505925 500X BAH PICKUP HEAD
- LS506157 500X BAH PICK UP HEAD ASSEMBLY
- LS506374 500X STD PICKUP HEAD WELDMENT
- LS506757 DST PICKUP HEAD SUB-ASSEMBLY
- LS506758 210/435 PICKUP HEAD SUB-ASSEMBLY
- LS506759 435 PICKUP HEAD SUB-ASSEMBLY
- LS506762 600 BAH PICKUP HEAD SUB-ASSEMBLY
- LS506769 HSP PICKUP HEAD SUB-ASSEMBLY
- LS506772 500X PICKUP HEAD SUB-ASSEMBLY STD.
- LS506774 500X BAH PICKUP HEAD SUB-ASSEMBLY
- LS506776 DST6 BAH PICKUP HEAD SUB-ASSEMBLY
- LS800727 FHD BAH PICKUP HEAD WELDMENT
- LS800733 BAH PICKUP HEAD ASSEMBLY

THESE ARE OUR MOST POPULAR REPLACEMENT PARTS • MANY MORE PARTS AVAILABLE – JUST ASK!

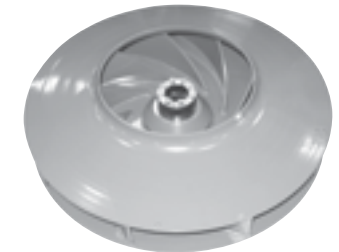
# IMPELLERS

## ELGIN STYLE

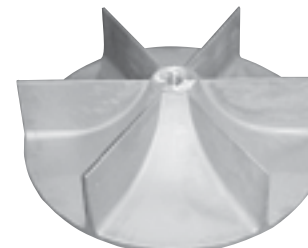
- LS1031978 CROSSWIND "G" & "GE" IMPELLER
- LS1054513 CROSSWIND "J" IMPELLER
- LS1058387 GEOVAC IMPELLER W/HUB
- LS1059047 CROSSWIND "G" & "GE" IMPELLER, PLAIN
- LS1061907 CROSSWIND "G" & "GE" IMPELLER, COATED
- LS1064431 WHIRLWIND MV BALANCED IMPELLER
- LS1078765 CROSSWIND "J" IMPELLER
- LS1081469 WHIRLWIND MV BALANCED IMPELLER
- LS1081530 IMPELLER
- LS5715203 AIR CUB 30" REVERSE CURVE FAN W/BUSHING



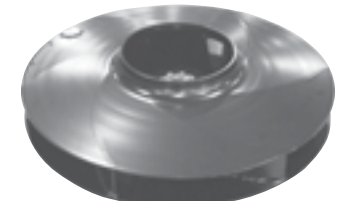
**LS522339T**  
for Schwarze A7000/A8000



**LS1078765**  
for Elgin Crosswind J



**LS5010933**  
for Tymco 600



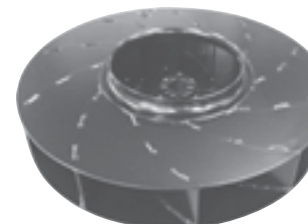
**LS1059047**  
for Elgin Crosswind G & GE

## JOHNSTON STYLE

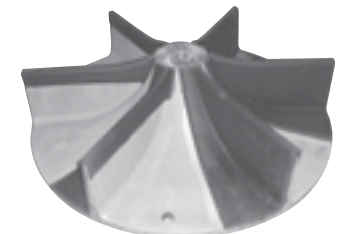
- LS2808301SP IMPELLER & SECURING KIT

## SCHWARZE STYLE

- LS520673 A7000 STANDARD IMPELLER
- LS520804 343/344 STANDARD IMPELLER, 28"
- LS521328 340/347/348 STANDARD IMPELLER, 30"
- LS521951 347/348/A3000 STANDARD IMPELLER
- LS522319 347/348/A4000 WHISPER IMPELLER, 30"
- LS522339T A7000/A8000 WHISPER IMPELLER W/ BUSHING
- LS522372 347 WHISPER REVERSE CURVE IMPELLER, 28"
- LS523214 S333-SE IMPELLER, 28"
- LS523314 A7000 REVERSE CURVE IMPELLER, 32.75" X 5"
- LS523707 A7000/A8000/A9000 IMPELLER, 32.75" X 5"



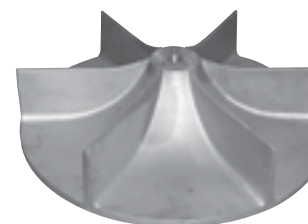
**LS523707**  
for Schwarze A7000/A8000/A9000



**LS5011626**  
for Tymco 210/300/350 (Coated)

## TYMCO STYLE

- LS500765 600 PLAIN BLOWER KIT, UNASSEMBLED
- LS500765A 600 PLAIN BLOWER KIT, ASSEMBLED
- LS5010933 600 PLAIN IMPELLER, 6-FIN
- LS5010206 210/300/350 PLAIN IMPELLER, 5-FIN
- LS5010933 600 UNCOATED IMPELLER, 6-FIN
- LS5011165 210/300/350 PLAIN IMPELLER, 6-FIN
- LS5011625 600 COATED IMPELLER, 6-FIN
- LS5011626 210/300/350 COATED IMPELLER, 6-FIN
- LS5011627 210/300/350 COATED IMPELLER, 5-FIN
- LS501513 600 COATED BLOWER KIT, UNASSEMBLED
- LS501513A 600 COATED BLOWER KIT, ASSEMBLED
- LS5017256 210/435 SRE COATED IMPELLER, 6-FIN
- LS504161 600 COATED BLOWER KIT
- LS504166 600 PLAIN BLOWER KIT
- LS504491 210 COATED IMPELLER BLOWER KIT
- LS8010313 500X/600 FHD COATED IMPELLER



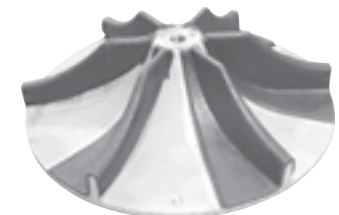
**LS5011165**  
for Tymco 210/300/350



**LS522319**  
for Schwarze 347/348/A4000



**LS1081469**  
for Elgin Whirlwind MV



**LS5017256**  
for Tymco 210/435 SRE (Coated)

START SAVING TODAY! CONTACT LACAL BY PHONE 800-543-6161 or EMAIL SALES@LACAL.COM

ALL PARTS ARE GUARANTEED TO MEET WITH YOUR APPROVAL. Local Equipment, Inc. offers after-market parts for road and highway maintenance equipment. All original equipment manufacturer's names, drawings, colors and part numbers are used for identification purposes only. Local is in no way implying that any of our products are original equipment parts.

START SAVING TODAY! CONTACT LACAL BY PHONE 800-543-6161 or EMAIL SALES@LACAL.COM

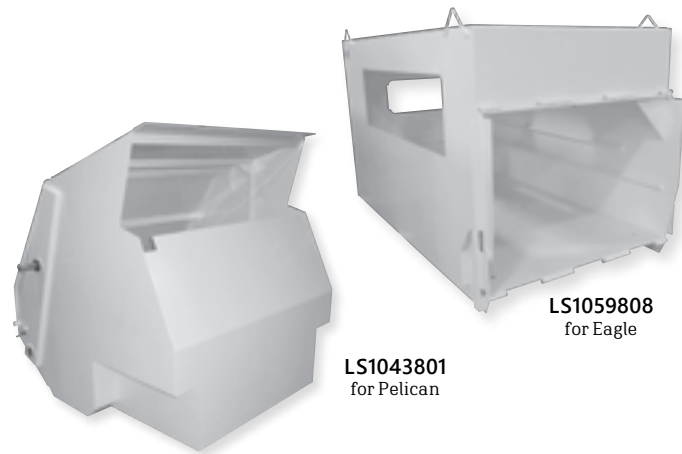
ALL PARTS ARE GUARANTEED TO MEET WITH YOUR APPROVAL. Local Equipment, Inc. offers after-market parts for road and highway maintenance equipment. All original equipment manufacturer's names, drawings, colors and part numbers are used for identification purposes only. Local is in no way implying that any of our products are original equipment parts.

THESE ARE OUR MOST POPULAR REPLACEMENT PARTS • MANY MORE PARTS AVAILABLE – JUST ASK!

# DIRT HOPPERS

## FOR ELGIN

- LS1034100 EAGLE E DIRT HOPPER
- LS1034107 EAGLE F DIRT HOPPER, EARLY
- LS1043801 PELICAN DIRT HOPPER WITH GATE
- LS1058726 CROSSWIND J DIRT HOPPER
- LS1059808 EAGLE DIRT HOPPER
- LS1059808SP EAGLE DIRT HOPPER W/O INSPECTION WINDOWS
- LS1072895 PELICAN NP DIRT HOPPER
- LS1093620 PELICAN NP DIRT HOPPER
- LS1103467 PELICAN DIRT HOPPER
- LS5710745 BROOM BEAR DIRT HOPPER, EARLY
- LS5713260 BROOM BEAR DIRT HOPPER WITH GATE



LS1043801  
for Pelican

LS1059808  
for Eagle

## FOR MOBIL

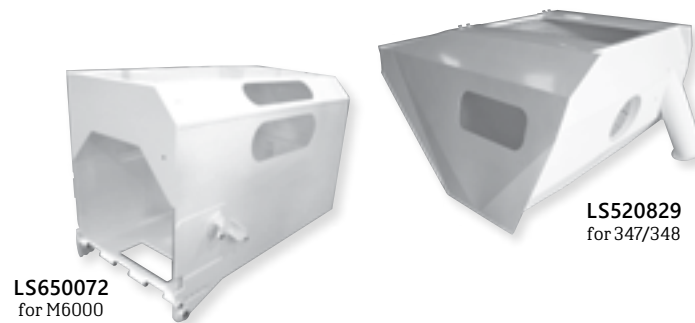
- LSW800686 M9 DIRT HOPPER
- LSW809995 M9B DIRT HOPPER, 1-PC GATE
- LSW811198 M9D DIRT HOPPER, NO WINDOW
- LSW811421 M9D DIRT HOPPER WITH WINDOW



LSW809995  
for M9D

## FOR SCHWARZE

- LS520829 347/348 DIRT HOPPER
- LS522328 A4000 DIRT HOPPER WELDMENT
- LS522595 S347/S348 DIRT HOPPER
- LS620554 4000/M4000 LH DUMP DIRT HOPPER
- LS620869 M5000 RH DUMP DIRT HOPPER
- LS650072 M6000 DIRT HOPPER, 5-YD.

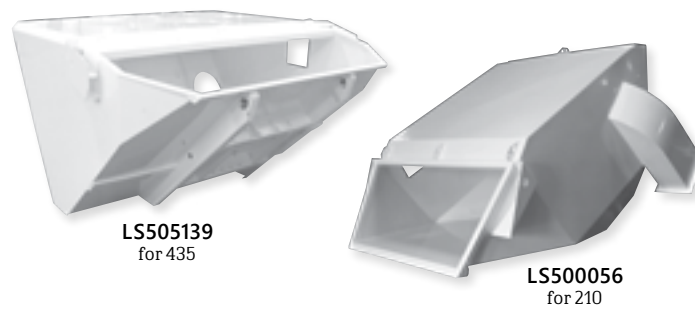


LS650072  
for M6000

LS520829  
for 347/348

## FOR TYMCO

- LS500056 210 DIRT HOPPER
- LS505139 435 DIRT HOPPER
- LS506583 435 BIG TOP HOPPER
- LS800019 DIRT HOPPER WELDMENT



LS505139  
for 435

LS500056  
for 210

START SAVING TODAY! CONTACT LACAL BY PHONE 800-543-6161 or EMAIL SALES@LACAL.COM

ALL PARTS ARE GUARANTEED TO MEET WITH YOUR APPROVAL. Local Equipment, Inc. offers after-market parts for road and highway maintenance equipment. All original equipment manufacturer's names, drawings, colors and part numbers are used for identification purposes only. Local is in no way implying that any of our products are original equipment parts.

THESE ARE OUR MOST POPULAR REPLACEMENT PARTS • MANY MORE PARTS AVAILABLE – JUST ASK!

# CURTAINS AND CURTAIN SETS

## ELGIN STYLE

- LS0710150 CROSSWIND J CURTAIN SET
- LS0710151 CROSSWIND J-BAH CURTAIN SET
- LS0710152 CROSSWIND J-FSX CURTAIN SET
- LS0720015 CROSSWIND G/GE CURTAIN SET
- LS0720016 CROSSWIND G/GE-BAH CURTAIN SET

## NITE HAWK STYLE

- LSPUH0001 CURTAIN SET
- LSPUH0001SP CURTAIN SET, 1/2"

## SCHWARZE STYLE

- LS20439 S333 SE CURTAIN SET WITH HARDWARE
- LS29320 A7000/A8000 STANDARD HEAD W/QUICK DISCONNECT
- LS29333 343/347/348 CURTAIN SET WITH HARDWARE
- LS29336 A4000 PUNCHED CURTAIN SET WITH HARDWARE
- LS29338 A7000/A8000/A9000 POWER HEAD CURTAIN SET W/HDW.
- LS66665 CURTAIN SET
- LS100053 343/347/348 CURTAIN SET WITH HARDWARE
- LS100538 A6000/A7000 STD. ABO HEAD PUNCHED CURTAIN SET
- LS130285 A7000 STD. OR ADJ. ORIFICE HEAD WITHOUT HARDWARE
- LS130445 A4000 PUNCHED CURTAIN SET WITHOUT HARDWARE

## TYMCO STYLE

- LS500464 600 CURTAIN SET WITH HARDWARE, OLD STYLE
- LS500619 210 CURTAIN SET WITH HARDWARE, OLD STYLE
- LS500620 210/435 CURTAIN SET WITH HARDWARE
- LS501020 500X STD./600 CURTAIN SET WITH HARDWARE
- LS502008 HSP CURTAIN SET WITH HARDWARE, 14" TUBE
- LS502609 500X/600 BAH CURTAIN SET WITH HARDWARE
- LS503234 HSP CURTAIN SET WITH HARDWARE, 10" TUBE
- LS503356 600 DST STD. CURTAIN SET WITH HARDWARE
- LS503357 210DC/DST4 BOXED CURTAIN SET WITH HARDWARE
- LS503899 600 BAH/DST6 CURTAIN SET WITH HARDWARE
- LS507479 210 FORD CURTAIN SET



**TOP SELLER**

### THE LS500620 CURTAIN SET FOR TYMCO 210/435 CONTAINS:

- LS5011143 Front Light Curtain • LS500506 Fastener Kit
- LS5011144 Front Heavy Curtain • LS5010588 Rear Curtains
- LS5013179 Suction Baffle Curtain • 05-50 Lock Washers
- LS5010584 Blast Orifice Curtain • 04-102 Hex Nuts
- 020-411 Elevator Bolts

## Local Has Curtains For Many Makes & Models

### ELGIN

- AIR CUB
- CROSSWIND B
- CROSSWIND G
- CROSSWIND GE / GE-BAH
- CROSSWIND J / J-BAH
- GEOVAC
- WHIRLWIND II
- WHIRLWIND L
- WHIRLWIND MV

### JOHNSTON

- 605
- VT650
- VT655
- 3000
- 4000

### SCHWARZE

- A4000
- A7000
- A8000
- A9000
- S333
- S340
- S3444
- S346
- S347
- S348

### TYMCO

- 210
- 435
- 500X
- 600 / 600-BAH / 600-HSP
- FHD



START SAVING TODAY! CONTACT LACAL BY PHONE 800-543-6161 or EMAIL SALES@LACAL.COM

ALL PARTS ARE GUARANTEED TO MEET WITH YOUR APPROVAL. Local Equipment, Inc. offers after-market parts for road and highway maintenance equipment. All original equipment manufacturer's names, drawings, colors and part numbers are used for identification purposes only. Local is in no way implying that any of our products are original equipment parts.

THESE ARE OUR MOST POPULAR REPLACEMENT PARTS • MANY MORE PARTS AVAILABLE – JUST ASK!

# ELEVATOR FRAMES

## FOR CHALLENGER

LS106001 ELEVATOR FRAME W/LINERS

## FOR ELGIN

- LS1034133 EAGLE CONVEYOR FRAME
- LS1062005 PELICAN CONVEYOR FRAME
- LS1069000 HD BROOM BEAR ELEVATOR FRAME WITH LINERS
- LS1074755 PELICAN NP/NS CONVEYOR FRAME
- LS1078011 BROOM BEAR STANDARD ELEVATOR FRAME
- LS1103165 ELEVATOR FRAME
- LS1121695 CONVEYOR FRAME
- LS5713761 BROOM BEAR STD. ELEVATOR FRAME W/LINERS
- LS6200810W CONVEYOR FRAME WITH LINERS

## FOR MOBIL

- LSA402649 H10 LIGHTFOOT SPRING SHOE ELEVATOR FRAME
- LSA402666 H10 STANDARD SHOE ELEVATOR FRAME
- LSA80340 M7 ELEVATOR FRAME, 4-YD.
- LSA805044 M8A, M9A/B/D/E STD. SHOE ELEVATOR FRAME, 5-YD.
- LSA805045 M8A, M9A LIGHTFOOT SPRING SHOE ELEVATOR FRAME, 5-YD.
- LSA83545 M8 ELEVATOR FRAME, 4-YD.
- LSA83645 M8 ELEVATOR FRAME, 3-YD.
- LSA88219 M9 ELEVATOR FRAME, FIXED SHAFT
- LSW804395 M8A STANDARD ELEVATOR FRAME, 4-YD.

## FOR SCHWARZE

LS203F36 M6000 ELEVATOR FRAME WITH LINERS

## FOR STEWART-AMOS

LS43103 ELEVATOR FRAME WITH LINERS



LS106001  
for Challenger

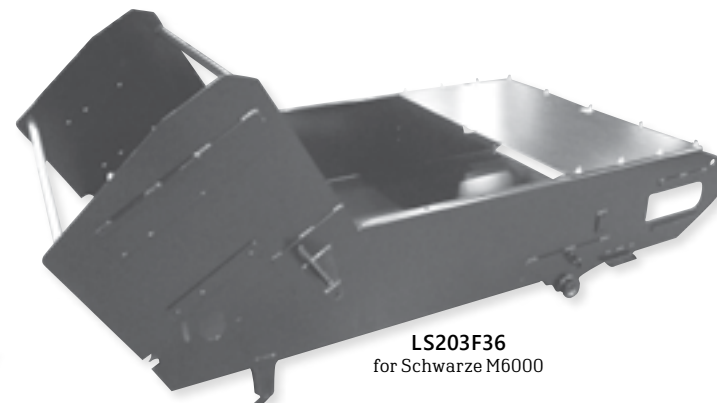
COMPLETE ASSEMBLIES  
AND CONVEYOR BELTS  
ALSO AVAILABLE!



LSW804395  
for Mobil M8A



LS1034133  
for Elgin Eagle



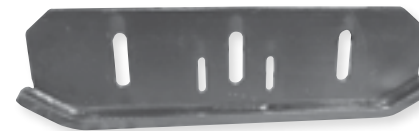
LS203F36  
for Schwarze M6000

START SAVING TODAY! CONTACT LACAL BY PHONE 800-543-6161 or EMAIL SALES@LACAL.COM

ALL PARTS ARE GUARANTEED TO MEET WITH YOUR APPROVAL. Local Equipment, Inc. offers after-market parts for road and highway maintenance equipment. All original equipment manufacturer's names, drawings, colors and part numbers are used for identification purposes only. Local is in no way implying that any of our products are original equipment parts.

THESE ARE OUR MOST POPULAR REPLACEMENT PARTS • MANY MORE PARTS AVAILABLE – JUST ASK!

# CARBIDE DRAG SHOES



LS521063  
SR Skid Shoe with Plate for Schwarze



LS1058962  
LH DR Shoe with Plate for Elgin Crosswind



LSP810801  
DR Runner with 4-Hole Plate for Mobil



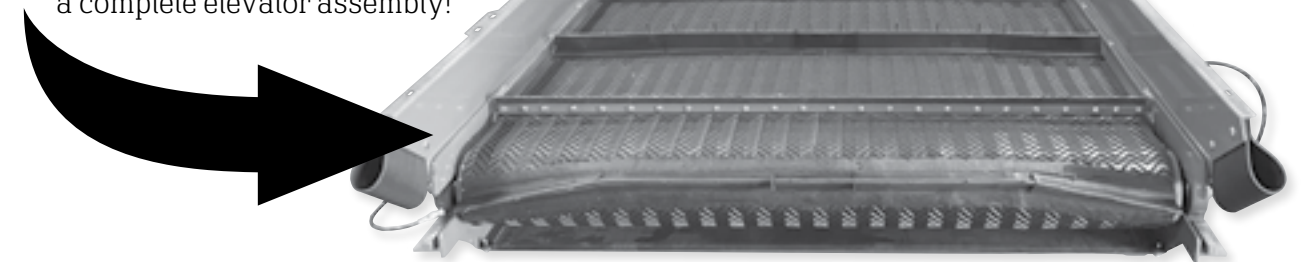
LS5710553  
Standard Dirt Shoe for Broom Bear

ALLIANZ	ELGIN	SCHWARZE	TENNANT
ATHEY / MOBIL	JOHNSTON	SCORPION	TYMCO
BROOM BADGER	MR. AIR/MASCO	SKAVIN'JER	VICTORY
BROOM BEAR	NITE HAWK	STEWART AMOS	WITTKÉ
CHALLENGER	PYTHON	SWEEPRITE	AND MORE!

# CONVEYOR BELTS FOR ELGIN

Available in  
**48" and 54"**

Order an individual part or  
a complete elevator assembly!



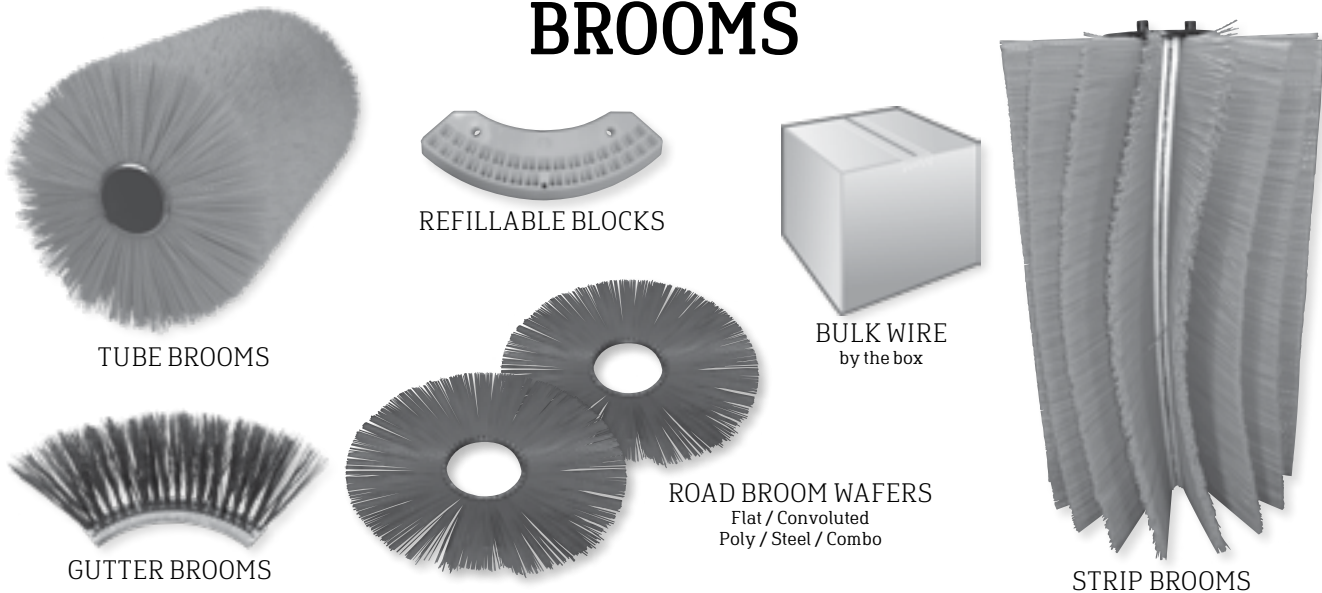
LS1009989	PELICAN CONVEYOR BELT, 48" X 13-FT.	LS1082386	PELICAN NP/NS/NR CONVEYOR BELT, 48" X 13.08-FT.
LS1034720	EAGLE CONVEYOR BELT, 48" X 18-FT.	LS1082387	PELICAN P/SE/PW CONVEYOR BELT, 48" X 13.58-FT.
LS1049473	EAGLE CONVEYOR BELT, 48" X 18-FT.	LS1082388	EAGLE E/F/FW CHEVRON PRE-PUNCHED CONVEYOR BELT, 48" X 18-FT.
LS1049474	PELICAN CONVEYOR BELT, 48" X 13-FT.	LS1113693	EAGLE CONVEYOR BELT, 48" X 18-FT.
LS1078909	PELICAN CONVEYOR BELT, 48" X 13-FT.	LS1118971	EAGLE / ROAD WIZARD / BROOM BEAR / 4M CONVEYOR BELT, 54"
LS1078910	EAGLE CONVEYOR BELT, 48" X 18-FT.		

START SAVING TODAY! CONTACT LACAL BY PHONE 800-543-6161 or EMAIL SALES@LACAL.COM

ALL PARTS ARE GUARANTEED TO MEET WITH YOUR APPROVAL. Local Equipment, Inc. offers after-market parts for road and highway maintenance equipment. All original equipment manufacturer's names, drawings, colors and part numbers are used for identification purposes only. Local is in no way implying that any of our products are original equipment parts.

THESE ARE OUR MOST POPULAR REPLACEMENT PARTS • MANY MORE PARTS AVAILABLE – JUST ASK!

# BROOMS



TUBE BROOMS

REFILLABLE BLOCKS

BULK WIRE  
by the box

ROAD BROOM WAFERS  
Flat / Convoluted  
Poly / Steel / Combo

GUTTER BROOMS

STRIP BROOMS

## BROOMS BY MAKE & MODEL

ELGIN		ELGIN		ELGIN	
<b>BROOM BADGER</b>		<b>CROSSWIND</b>		<b>PELICAN</b>	
LB122	COMBO TUBE BROOM, 58"	LB30556	STEEL GUTTER BROOM, 5-SEGMENT	LB557	HD STEEL GUTTER BROOM, 4-SEGMENT
LB30556	STEEL GUTTER BROOM, 5-SEGMENT	LB30721	HD STEEL GUTTER BROOM, 5-SEGMENT	LB566	ALL-PRO COMBO STRIP BROOM, 66" (18 PIECES)
LB412	ALL-PRO CENTER SWEEP MANDREL, 58"	LB531	POLYTUBE BROOM, 78"	LB646	POLY GUTTER BROOM, 4-SEGMENT
LB458	ALL-PRO POLY STRIP BROOM, 58" (18 PIECES)	LB532	COMBO TUBE BROOM, 78"	LB88153	HD STEEL GUTTER BROOM, 5-SEGMENT, GAYLORD
LB504	POLYTUBE BROOM, 58"	LB599	STEEL GUTTER BROOM, 2-SEGMENT	<b>ROAD WIZARD</b>	
LB554	STEEL GUTTER BROOM, 4-SEGMENT	LB619	POLY GUTTER BROOM, 5-SEGMENT	LB137	POLYTUBE BROOM, 60"
LB558	POLY DOUBLE WRAP TUBE BROOM, 58"	LB977	POLY GUTTER BROOM, 2-SEGMENT	LB138	COMBO TUBE BROOM, 60"
LB558	ALL-PRO COMBO STRIP BROOM, 58" (18 PIECES)	<b>EAGLE</b>		LB173	HD POLYTUBE BROOM, 60"
<b>BROOM BEAR</b>		LB137	POLYTUBE BROOM, 60"	LB30556	STEEL GUTTER BROOM, 5-SEGMENT
LB122	COMBO TUBE BROOM, 58"	LB138	COMBO TUBE BROOM, 60"	LB30721	HD STEEL GUTTER BROOM, 5-SEGMENT
LB137	POLYTUBE BROOM, 60"	LB173	HD POLYTUBE BROOM, 60"	LB411	ALL-PRO CENTER SWEEP MANDREL, 60"
LB138	COMBO TUBE BROOM, 60"	LB30556	STEEL GUTTER BROOM, 5-SEGMENT	LB460	ALL-PRO POLY STRIP BROOM, 60" (18 PIECES)
LB173	HD POLYTUBE BROOM, 60"	LB30721	HD STEEL GUTTER BROOM, 5-SEGMENT	LB560	ALL-PRO COMBO STRIP BROOM, 60" (18 PIECES)
LB30556	STEEL GUTTER BROOM, 5-SEGMENT	LB411	ALL-PRO CENTER SWEEP MANDREL, 60"	LB619	POLY GUTTER BROOM, 5-SEGMENT
LB30721	HD STEEL GUTTER BROOM, 5-SEGMENT	LB460	ALL-PRO POLY STRIP BROOM, 60" (18 PIECES)	<b>WHIRLWIND MV</b>	
LB411	ALL-PRO CENTER SWEEP MANDREL, 60"	LB560	ALL-PRO COMBO STRIP BROOM, 60" (18 PIECES)	LB166	POLYTUBE BROOM, 54"
LB412	ALL-PRO CENTER SWEEP MANDREL, 58"	LB619	POLY GUTTER BROOM, 5-SEGMENT	LB167	COMBO TUBE BROOM, 54"
LB458	ALL-PRO POLY STRIP BROOM, 58" (18 PIECES)	<b>MEGAWIND / WHIRLWIND</b>		LB599	STEEL GUTTER BROOM, 2-SEGMENT
LB460	ALL-PRO POLY STRIP BROOM, 60" (18 PIECES)	LB133	COMBO TUBE BROOM, 60"	LB977	POLY GUTTER BROOM, 2-SEGMENT
LB504	POLYTUBE BROOM, 58"	LB134	POLYTUBE BROOM, 60"	<b>JOHNSTON/GLOBAL</b>	
LB558	POLY DOUBLE WRAP TUBE BROOM, 58"	<b>PELICAN</b>		605	
LB558	ALL-PRO COMBO STRIP BROOM, 58" (18 PIECES)	LB135	POLYTUBE BROOM, 66"	LB220	POLYTUBE BROOM, 50.5"
LB560	ALL-PRO COMBO STRIP BROOM, 60" (18 PIECES)	LB136	COMBO TUBE BROOM, 66"	LB221	COMBO TUBE BROOM, 50.5"
LB619	POLY GUTTER BROOM, 5-SEGMENT	LB153	HD POLYTUBE BROOM, 66"	LB599	STEEL GUTTER BROOM, 2-SEGMENT
		LB410	ALL-PRO CENTER SWEEP MANDREL, 66"	LB977	POLY GUTTER BROOM, 2-SEGMENT
		LB466	ALL-PRO POLY STRIP BROOM, 66" (18 PIECES)		
		LB554	STEEL GUTTER BROOM, 4-SEGMENT		

START SAVING TODAY! CONTACT LACAL BY PHONE 800-543-6161 or EMAIL SALES@LACAL.COM

ALL PARTS ARE GUARANTEED TO MEET WITH YOUR APPROVAL. Local Equipment, Inc. offers after-market parts for road and highway maintenance equipment. All original equipment manufacturer's names, drawings, colors and part numbers are used for identification purposes only. Local is in no way implying that any of our products are original equipment parts.

THESE ARE OUR MOST POPULAR REPLACEMENT PARTS • MANY MORE PARTS AVAILABLE – JUST ASK!

# BROOM WAFERS

ITEM#	SPECS (I.D. X O.D.)	DESCRIPTION	ITEM#	SPECS (I.D. X O.D.)	DESCRIPTION
LB334	6-3/8" X 21"	CONVOLUTED COMBO WAFER	LB33228	10" X 27"	CONVOLUTED WIRE WAFER
LB327	6-3/8" X 21"	CONVOLUTED POLY WAFER	LB318	10" X 27"	FLAT COMBO WAFER
LB328	6-3/8" X 21"	CONVOLUTED WIRE WAFER	LB347	10" X 27"	FLAT POLY WAFER
LB329	6-3/8" X 21"	FLAT POLY WAFER	LB374	10" X 27"	FLAT WIRE WAFER
LB311	6-3/8" X 24"	CONVOLUTED COMBO WAFER	LB314	10" X 32"	CONVOLUTED COMBO WAFER
LB323	6-3/8" X 24"	CONVOLUTED POLY WAFER	LB317	10" X 32"	CONVOLUTED POLY WAFER
LB326	6-3/8" X 24"	CONVOLUTED WIRE WAFER	LB316	10" X 32"	CONVOLUTED WIRE WAFER
LB325	6-3/8" X 24"	FLAT POLY WAFER	LB313	10" X 32"	FLAT COMBO WAFER
LB350	7-1/8" X 24"	FLAT POLY WAFER	LB041	10" X 32"	FLAT POLY WAFER
LB351	7-1/8" X 24"	FLAT WIRE WAFER	LB315	10" X 32"	FLAT WIRE WAFER
LB390	8" X 26"	CONVOLUTED COMBO WAFER	LB322	10" X 36"	CONVOLUTED POLY WAFER
LB388	8" X 26"	CONVOLUTED POLY WAFER	LB324	10" X 36"	CONVOLUTED WIRE WAFER
LB389	8" X 26"	CONVOLUTED WIRE WAFER	LB050	10" X 36"	FLAT POLY WAFER
LB229	10" X 27"	CONVOLUTED POLY WAFER	LB320	10" X 36"	FLAT WIRE WAFER
			LB080	10" X 36"	SLOPED POLY WAFER

## BROOMS BY MAKE & MODEL

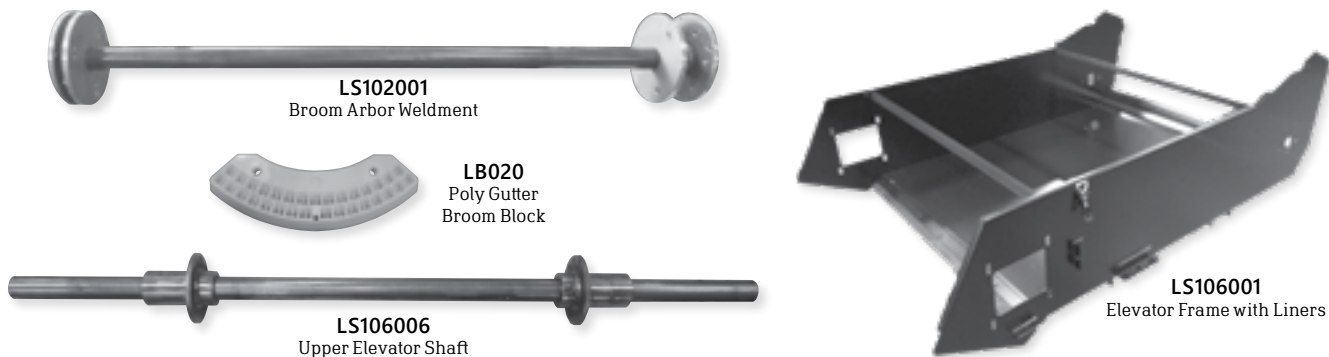
JOHNSTON/GLOBAL		MOBIL		STEWART-AMOS	
<b>650</b>		<b>ALL MODELS</b>		<b>STARFIRE S-4C / S-4XL / S-6S / S-6T</b>	
LB224	HD COMBO TUBE BROOM, 51", X-DRIVE	LB559	STEEL GUTTER BROOM, 4-SEGMENT	LB122	COMBO TUBE BROOM, 58"
LB227	HD POLYTUBE BROOM, 51", X-DRIVE	LB560	HD STEEL GUTTER BROOM, 4-SEGMENT	LB30558	DOUBLE WRAP POLYTUBE BROOM, 58"
LB599	STEEL GUTTER BROOM, 2-SEGMENT	LB601	POLY GUTTER BROOM, 4-SEGMENT	LB408	ALL-PRO MANDREL W/END PLATE, 58"
LB977	POLY GUTTER BROOM, 2-SEGMENT	<b>NITEHAWK</b>		LB412	ALL-PRO CENTER SWEEP MANDREL, 58"
<b>651</b>		LB599	STEEL GUTTER BROOM, 2-SEGMENT	LB458	ALL-PRO POLY STRIP BROOM, 58" (18 PIECES)
LB224	HD COMBO TUBE BROOM, 51", X-DRIVE	LB977	POLY GUTTER BROOM, 2-SEGMENT	LB504	POLYTUBE BROOM, 58"
LB227	HD POLYTUBE BROOM, 51", X-DRIVE	<b>SCHWARZE</b>		LB558	ALL-PRO COMBO STRIP BROOM, 58" (18 PIECES)
LB30911	STEEL GUTTER BROOM, 4-ROW, 1-PC.	<b>A4000</b>		<b>TENNANT</b>	
<b>3000/4000</b>		LB553	WIRE GUTTER BROOM, 22", 4-SEGMENT	<b>CENTURION</b>	
LB205	POLYTUBE BROOM, 56.5"	<b>A7000 / A8000</b>		LB168	POLYTUBE BROOM W/HARDWARE, 68"
LB561	WIRE GUTTER BROOM, 4-SEGMENT	LB30556	STEEL GUTTER BROOM, 5-SEGMENT	LB30556	STEEL GUTTER BROOM, 5-SEGMENT
LB562	WIRE GUTTER BROOM, 12-SEGMENT	LB619	POLY GUTTER BROOM, 5-SEGMENT	<b>SENTINEL 830</b>	
<b>ES351</b>		LB721	HD WIRE GUTTER BROOM, 5-SEGMENT	LB30830	POLYTUBE BROOM, 50"
LB561	STEEL GUTTER BROOM, 4-SEGMENT	LB88153	HD STEEL GUTTER BROOM, 5-SEGMENT, GAYLORD	LB39880	COMBO GUTTER BROOM, 1-SEGMENT, 32"
LB647	POLY GUTTER BROOM, 4-SEGMENT	<b>M5000 / M6000</b>		<b>TYMCO</b>	
<b>MS350</b>		LB122	COMBO TUBE BROOM, 58"	<b>210</b>	
LB400	POLYTUBE BROOM W/END PLATE, 58"	LB30556	STEEL GUTTER BROOM, 5-SEGMENT	LB080	SLOPED POLY WAFER, 10" X 36"
<b>RT655</b>		LB412	ALL-PRO CENTER SWEEP MANDREL, 58"	LB553	WIRE GUTTER BROOM, 22", 4-SEGMENT
LB561	STEEL GUTTER BROOM, 4-SEGMENT	LB458	ALL-PRO POLY STRIP BROOM, 58" (18 PIECES)	LB646	POLY GUTTER BROOM, 4-SEGMENT
LB647	POLY GUTTER BROOM, 4-SEGMENT	LB504	POLYTUBE BROOM, 58"	<b>435</b>	
<b>MOBIL</b>		LB558	ALL-PRO COMBO STRIP BROOM, 58" (18 PIECES)	LB554	STEEL GUTTER BROOM, 4-SEGMENT
<b>ALL MODELS</b>		LB619	POLY GUTTER BROOM, 5-SEGMENT	LB646	POLY GUTTER BROOM, 4-SEGMENT
LB122	COMBO TUBE BROOM, 58"	LB721	HD WIRE GUTTER BROOM, 5-SEGMENT	<b>600 BAH</b>	
LB30558	DOUBLE WRAP POLYTUBE BROOM, 58"	LB88153	HD STEEL GUTTER BROOM, 5-SEGMENT, GAYLORD	LB140	POLYTUBE BROOM, 79"
LB412	ALL-PRO CENTER SWEEP MANDREL, 58"			LB559	STEEL GUTTER BROOM, 4-SEGMENT
LB458	ALL-PRO POLY STRIP BROOM, 58" (18 PIECES)			LB601	POLY GUTTER BROOM, 4-SEGMENT
LB504	POLYTUBE BROOM, 58"				
LB558	ALL-PRO COMBO STRIP BROOM, 58" (18 PIECES)				

START SAVING TODAY! CONTACT LACAL BY PHONE 800-543-6161 or EMAIL SALES@LACAL.COM

ALL PARTS ARE GUARANTEED TO MEET WITH YOUR APPROVAL. Local Equipment, Inc. offers after-market parts for road and highway maintenance equipment. All original equipment manufacturer's names, drawings, colors and part numbers are used for identification purposes only. Local is in no way implying that any of our products are original equipment parts.



**THESE ARE OUR MOST POPULAR REPLACEMENT PARTS • MANY MORE PARTS AVAILABLE – JUST ASK!**



**LS102001**  
Broom Arbor Weldment

**LB020**  
Poly Gutter  
Broom Block

**LS106006**  
Upper Elevator Shaft

**LS106001**  
Elevator Frame with Liners

**ALLIANZ**

SEE JOHNSTON GLOBAL - PAGE 54

**ATHEY-MOBIL**

SEE MOBIL - PAGE 56

**CHALLENGER**

LS119027	WATER PUMP
LS100012	MAIN BROOM ARM PIN
LS10002991	MAIN BROOM PRESSURE SPRING
LS103102	DRAG SHOE
LS106058	CONVEYOR CURTAIN RUBBER
LS108085	HOPPER WINDOW SEAL
LS108086	HOPPER DOOR PIN
LS111014	LATCH ASSEMBLY, SN085 to SN256
LS150435	GUTTER BROOM MOTOR
LS100012A	SHAFT
LS100021	CURTAIN
LS102001	BROOM ARBOR WELDMENT
LS102004	FIBER GUARD
LS102005	BROOM ARM BUSHING, 1.25" x 1.5" x 4.13"
LS102006	MOTOR MOUNT BRACKET
LS102100	RH MAIN BROOM SHAFT
LS102110	RH MAIN BROOM ARM
LS102200	LH MAIN BROOM SHAFT
LS102220	LH MAIN BROOM ARM
LS103005	STEEL BUSHING
LS103022	BUSHING
LS103023	DR CARBIDE DRAG SHOE, 39"
LS103025	PIN ASSEMBLY
LS103028	RH DRAG SHOE PLATE
LS103032	LH DRAG SHOE PLATE
LS106001	ELEVATOR FRAME W/LINERS
LS106001ASSY	CONVEYOR ASSEMBLY
LS106002	RH BEARING MOUNT PLATE
LS106003	LOWER CONVEYOR TRAY
LS106004	LH BEARING MOUNT PLATE
LS106005	UPPER CONVEYOR TRAY
LS106006	UPPER ELEVATOR SHAFT
LS106010	SPLIT NYLON SPACER
LS106011	LOWER ELEVATOR SHAFT
LS106013	FLIGHT ANGLE
LS106015	UPPER CONVEYOR COVER
LS106019	8-FLIGHT CONVEYOR CHAIN, 59P
LS106024	LOWER CURTAIN PIN

**CHALLENGER**

LS106026	LH BRACKET
LS106027	RH BRACKET
LS106028	LOWER CONVEYOR COVER
LS106029	CONVEYOR LID
LS106047	LOWER CON. CURTAIN MNT. WELD.
LS114003	SPRAY BAR ASSEMBLY
LS114010	SPRAY NOZZLE BASE CLAMP
LS114011	SPRAY NOZZLE CAP
LS114012	SPRAY NOZZLE GASKET
LS11701091	SOCKET LIGHT
LS11703291	MINIATURE RELAY
LS11703991	PROXIMITY SENSOR
LS119024	HYD. MOTOR CONN. PLATE
LS152141	TILT ACTUATOR
LS15269991	AIR VALVE, 3 WAY (DUMP VALVE)
LS15311391	PLUG PVG DIN
LS15311491	SEAL-DIN, PVG
LS15416491	DRAG SHOE PIN KIT
LS206059	UPPER SHAFT BEARING
LS206060	ELEVATOR BEARING
LSWC011700	FLIGHT RUBBER
LSWC013000	ELEVATOR CHAIN

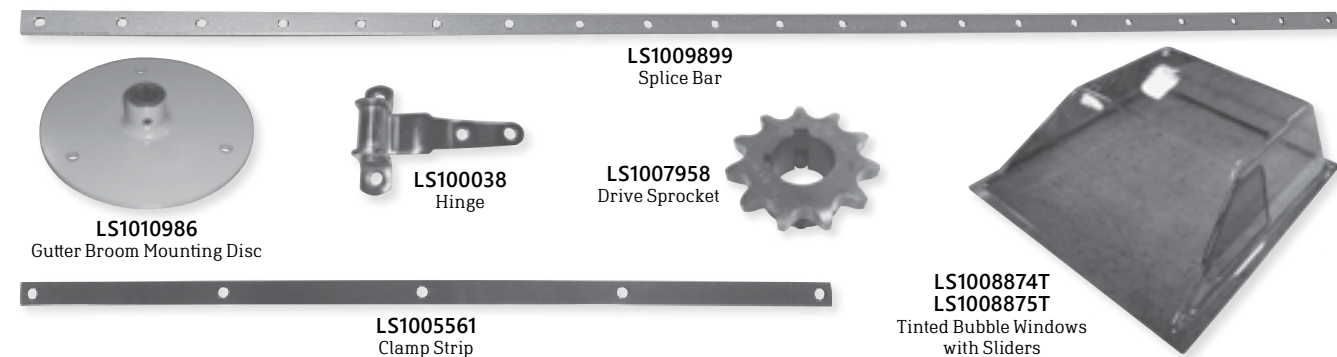
**ELGIN**

LB020	POLY GUTTER BROOM BLOCK
LB134	TUBE BROOM
LB135	POLYTUBE BROOM
LB136	COMBO TUBE BROOM
LB137	POLYTUBE BROOM
LB138	COMBO TUBE BROOM
LB153	HD POLY TUBE BROOM
LB166	POLYTUBE BROOM
LB167	COMBO TUBE BROOM
LB173	HD POLY TUBE BROOM
LB30556	5-SEGMENT GUTTER BROOM
LB410	MANDREL, 66"
LB411	CENTER SWEEP MANDREL, 60"
LB460	STRIP BROOM SET, 60" BLK
LB466	POLY STRIP BROOM, 18
LB466A	STRIP BROOM, SINGLE
LB504EP	TUBE BROOM 8-5/8 x 58 POLY 26"
LB531	POLYTUBE BROOM
LB554	4-SEGMENT GUTTER BROOM C/R
LB554A	SINGLE SEGMENT ONLY FOR LB554
LB560	P/W ALLPRO STRIP BROOM SET

**ELGIN**

LB566	COMBO ALL-PRO STRIP BROOM
LB599	2-SEGMENT PAT GUTTER BROOM
LB619	5-SEGMENT POLY GUTTER BROOM
LBRM80475	STRAIGHT MANDREL CHANNEL, 66"
LS0004525	CAM FOLLOWER
LS0032671	SEALED TERMINAL F-2, PKG/24
LS0032865	SEALED CONNECTOR FB
LS0032879	SEAL H-1
LS0033149	O RING
LS0033151	O-RING -08 FACE - PACK OF 20
LS0054361	RH SIDE BROOM TILT KIT
LS0054362	LH SIDE BROOM TILT KIT
LS0076011	PACKING SET
LS0076013	CYLINDER REPAIR KIT
LS0076014	CYLINDER REPAIR KIT
LS0076025	CARRIER ASSEMBLY
LS0076710	ASSEMBLED FRAME (START P25)
LS0076711	CONVEYOR ASSEMBLY
LS0093549	RH SIDE BROOM TILT KIT
LS0099069	BROOM ARBOR ASSEMBLY
LS0099204	HD SPRING GUIDE WHEEL ASSY
LS0099244	DIRT DEFLECTOR W/TOWBAR ASSY
LS0207802SP	TWO-ROW CARBIDE DRAG SHOE ASSEMBLY
LS0710046	NOZZLE SET
LS0710047	CONVEYOR HANGER KIT
LS0710055	CENTER BROOM HYD. ADDITIONS
LS0710060	CONVEYOR ASSY (LESS MOTOR)
LS0710075	CENTER BROOM HYD. SUB ASSY
LS0710080	SHOCK ABSORBER REPLACEMENT KIT
LS0710086	SPRAY BAR ASSEMBLY
LS0710087	SPRAY BAR ASSEMBLY
LS07101121	PU HEAD W/CENTER BROOM ASSY.
LS0710123	STD SPRAY WATER ADDITIONS
LS0710137	BAH SPRAY WATER ADDITIONS
LS0710139	PICKUP HEAD ASSEMBLY
LS0710140	PICKUP HEAD ASSY, COMPLETE
LS0710141	PICKUP HEAD & LIFT ASSEMBLY
LS0710150	CURTAIN SET
LS0710151	BAH CURTAIN SET
LS0710164	RH DOOR HINGE KIT
LS0710165	LH DOOR HINGE KIT
LS0710168	INBOARD IMPELLER BEARING KIT
LS0710169	OUTBOARD IMPELLER BRG. KIT

**THESE ARE OUR MOST POPULAR REPLACEMENT PARTS • MANY MORE PARTS AVAILABLE – JUST ASK!**



**LS1009899**  
Splice Bar

**LS1010986**  
Gutter Broom Mounting Disc

**LS100038**  
Hinge

**LS1007958**  
Drive Sprocket

**LS1005561**  
Clamp Strip

**LS1008874T**  
**LS1008875T**  
Tinted Bubble Windows  
with Sliders

**ELGIN**

LS0710182	VALVE KIT
LS0710197	PAIR OF HEADLIGHTS
LS0710224	FLUID COUPLER ASSEMBLY
LS0710232	COVER MOUNT KIT
LS0710234	WATER VALVE KIT, 3 VALVES
LS0710248	SPROCKET SPACER KIT
LS0720015	CURTAIN SET
LS0720016	BAH CURTAIN SET
LS100007	SHORT CONVEYOR LIFT ARM WELD.
LS100009	LONG CONVEYOR LIFT ARM
LS100015	SCISSORS PIN
LS100018	LONG SCISSORS PIN
LS100020	RH ROCKER ARM
LS100034	MAIN BROOM COVER
LS100038	HINGE
LS1001319	BAFFLE STRIP
LS1001977	DIRT SHOE EXTENSION SPRING
LS1002419	GASKET
LS1002471	SPROCKET & BEARING ASSEMBLY
LS1002863	LUBRICATING HOSE BRACKET
LS1002863A	MOUNTING TAB
LS1003444	M. BROOM JACK SHAFT BEARING
LS1003895	PIVOT BRACKET
LS1003895A	SLEEVE
LS1003919	SPRING ROD WELDMENT
LS1003919A	THREADED ROD
LS1003919B	THRUST COLLAR
LS1003921	ROD END
LS1003952	SPRING NUT
LS1003958	MAIN BROOM CROSS SHAFT
LS1004305	CLAMP
LS1004558	M. BROOM SUSPENSION SPRING
LS1004908	SHORT RUBBER DIRT RUNNER
LS1004908U	DIRT RUNNER, SHORT, URETHANE
LS1005208	CONVEYOR HINGE BRACKET
LS1005209	PIVOT BRACKET
LS1005274	SCREW
LS1005275	COLLAR
LS1005345	PIVOT SHAFT COLLAR
LS1005381	PIVOT SCREW WITH GREASE ZERK
LS1005412	SPROCKET W/BUSHING
LS1005451	SOLID COLLAR W/2SET SCREWS
LS1005496	DRIVE SHAFT SLEEVE
LS1005502	KEY

**ELGIN**

LS1005561	CLAMP STRIP
LS1005563	SPROCKET W/HARDENED TEETH
LS1005569	S.B. DRIVE HOUSING ADAPTER
LS1005934	WATER TANK GAUGE
LS1006070	BEARING BLOCK SET
LS1006130	SIDE BROOM THRUST WASHER
LS1006193	DEFLECTOR
LS1006206	SHEAR PIN
LS1006229	DEFLECTOR SHIELD
LS1006231	CLAMP PLATE
LS1006394	SCRAPER CLAMP
LS1006395	SCRAPER
LS1006435	SCRAPER & BELT ASSEMBLY
LS1006770	SIDE BROOM RETAINING SPRING
LS1006778	SHAFT
LS1006785	SIDE BROOM ADJUSTING BLOCK
LS1006797	ADJUSTABLE SCREW
LS1006876	BUSHING
LS1006913	ADJUSTABLE NUT
LS1006962R1	CLAMP
LS1007092	ADJUSTABLE STOP
LS1007122	WIPER
LS1007250	END PLATE
LS1007260	SHEAR PIN STOP
LS1007275	HYDRAULIC CYLINDER CLEVIS
LS1007433	SHOULDER BOLT
LS1007461	UPPER ROLLER BEARING
LS1007503	PIVOT SHAFT WELDMENT
LS1007506	PIVOT BRACKET WELDMENT
LS1007572	DIRT DEFLECTOR
LS1007943	TAKE UP ADJ
LS1007958	DRIVE SPROCKET
LS1007994	PIVOT PIN
LS1008008	PIVOT PIN WELDMENT
LS1008009	PIVOT PIN WELDMENT
LS1008010	TILT CYLINDER ROD PIN
LS1008011	PIN WELDMENT
LS1008012	ROD PIN WELDMENT
LS1008046	MAIN DRIVE CHAIN
LS1008049	SIDE SHOE SPACER
LS1008100	MAIN BROOM STUB SHAFT
LS1008102	MAIN BROOM IDLER SHAFT WELD.
LS1008345	FELT WASHER
LS1008614	CLUTCH ARM RETURN SPRING

**ELGIN**

LS1008760	CLEVIS
LS1008798	END CLEVIS
LS1008835	RH LATCH HOOK
LS1008836	LH LATCH HOOK
LS1008874	RH BUBBLE WINDOW W/SLIDER, CLEAR
LS1008874T	RH BUBBLE WINDOW W/SLIDER, TINTED
LS1008875	LH BUBBLE WINDOW W/SLIDER, CLEAR
LS1008875T	LH BUBBLE WINDOW W/SLIDER, TINTED
LS1009124	SPACER
LS1009159	BAFFLE STRIP
LS1009553	CHAIN IDLER ADJUSTABLE SCREW
LS1009573	PIVOT HOUSING BUSHING
LS1009640	CLUTCH DISC
LS1009641	CLUTCH PLATE ASSEMBLY
LS1009872	IDLER PULLEY
LS1009899	SPLICE BAR
LS1009945	ADJUSTER BRACKET
LS1009989	CONVEYOR BELT, 48" x 13-FT
LS1009992	LIFT ROLLER PIN
LS1010026	VENTED GAS TANK CAP
LS1010119	BRACKET
LS1010147	BUMPER PAD
LS1010161	DIRT DEFLECTOR
LS1010189	RH SIDE DIRT DEFLECTOR
LS1010263	ALUMINUM G. BROOM BLOCK
LS1010288	MIRROR, 12" ROUND
LS1010370	CONVEYOR DRIVEN SPROCKET
LS1010371	CONVEYOR DRIVE SPROCKET
LS1010488	PRESSURE STAT
LS1010716	SHUTTER RUBBER FLAP
LS1010734	EXTENSION BROOM BEARING
LS1010755	THREADED ROD
LS1010765	RH GATE WELDMENT
LS1010768	BUSHING
LS1010784	BLIND FLANGE
LS1010913	CLEAR BUBBLE WINDOW, FITS RH & LH
LS1010939	SPRING ADJUSTER
LS1010941	M. BROOM CROSS SHAFT BEARING
LS1010986	GUTTER BROOM MOUNTING DISC
LS1011041	SIDE RUBBER NOZZLE FLAP

**START SAVING TODAY! CONTACT LACAL BY PHONE 800-543-6161 or EMAIL SALES@LACAL.COM**

*ALL PARTS ARE GUARANTEED TO MEET WITH YOUR APPROVAL. Local Equipment, Inc. offers after-market parts for road and highway maintenance equipment. All original equipment manufacturer's names, drawings, colors and part numbers are used for identification purposes only. Local is in no way implying that any of our products are original equipment parts.*

**START SAVING TODAY! CONTACT LACAL BY PHONE 800-543-6161 or EMAIL SALES@LACAL.COM**

*ALL PARTS ARE GUARANTEED TO MEET WITH YOUR APPROVAL. Local Equipment, Inc. offers after-market parts for road and highway maintenance equipment. All original equipment manufacturer's names, drawings, colors and part numbers are used for identification purposes only. Local is in no way implying that any of our products are original equipment parts.*

THESE ARE OUR MOST POPULAR REPLACEMENT PARTS • MANY MORE PARTS AVAILABLE – JUST ASK!

**ELGIN**

LS101184	FAN BEARING
LS1011204	IMPELLER SHAFT
LS1011205	KEY
LS1011235	SHUTTLE VALVE
LS1011284	BALL VALVE, 1/4"
LS1011286	BRASS SPRAY NOZZLE
LS1011287	BEARING FLYWHEEL
LS1011297	RETAINING RING, 2.78" I.D.
LS1011334	IMPELLER BEARING SHIM
LS1011380	CENTER BOARD LIFT ROLLER
LS1011393	PLATE
LS1011438	WANDERING HOSE GASKET
LS1011454	HOSE, 11" x 62" W/4" CUFFS
LS1011513	SUCTION DUCT GASKET
LS1011514	SUCTION DUCT GASKET
LS1011570	AIR PRE-CLEANER, 8"
LS1011664	SPRING GUIDE ROD
LS1011669	BUSHING
LS1011839	TOWBAR BUSHING
LS1011936	S. BROOM DRIVE SPROCKET BRG.
LS1011937	SHOULDER BUSHING
LS1012036	LH GATE WELDMENT
LS1012344	GUIDE WHEEL HUB ASSEMBLY
LS1012408	RH MAIN BROOM ARM
LS1012447	CONNECTOR WELDMENT
LS1012465	OIL COOLER 9 TUBE 1 PASS
LS1012683	CLUTCH SNAP RING
LS1012956	TAPERED KEY
LS1012957	TAPERED KEY
LS1012971	RH CONVEYOR SIDE DEFLECTOR
LS1012972	LH CONVEYOR SIDE DEFLECTOR
LS1012973	RH TAKE UP WELDMENT
LS1013018	SHAFT
LS1013019	SHAFT
LS1013096	BALL JOINT FITTING
LS1013353	SIDE BROOM LOWER SHAFT & HUB
LS1013711	LATCH
LS1013712	LH REAR LATCH
LS1013714	UPPER WEATHER STRIPPING
LS1013852	CLAMP
LS1013862	GREASE ZERK CLIP
LS1013871	THROTTLE CABLE
LS1013917	DIRT DEFLECTOR ASSEMBLY
LS1013951	HOPPER DOOR WELDMENT
LS1014101	SCRAPER
LS1014102	LH BEARING ADJUSTER
LS1014103	RH BEARING ADJUSTER
LS1014397	INSPECTION DOOR WELDMENT
LS1014404	HOPPER DOOR GASKET
LS1014405	INSPECTION DOOR GASKET
LS1014422	THROTTLE CABLE
LS1014523	BACKING STRIP
LS1014525	DEFLECTOR
LS1014529	DEFLECTOR ASSEMBLY
LS1014533	DEFLECTOR
LS1014534	CONVEYOR BAFFLE
LS1014551	CLAMP
LS1014661	MAIN BROOM CHAIN COVER

**ELGIN**

LS1014667	MAIN BROOM DRIVE BUSHING
LS1014796	MAIN DRIVE CHAIN
LS1014897	SAFETY WIRE, .051" DIA., 35-FT COIL
LS1014948	PULL LATCH
LS1014993	WATER STRAINER ASSEMBLY
LS1015090	MUFFLER CLAMP HALF, PAIR
LS1015200	CLUTCH BRAKE SHOE
LS1015231	DEFLECTOR WEIGHT
LS1015256	OUTPUT SHAFT
LS1015305	SUCTION NOZZLE GASKET
LS1015553	CLAMP
LS1015695	MAIN BROOM SPRING CARRIAGE
LS1015699	SPRING ANCHOR
LS1015801	SPLICE KIT
LS1015857	RH MAIN BROOM BELL CRANK
LS1015859	LH MAIN BROOM BELL CRANK
LS1015868	FUEL LEVEL SENDER
LS1015977	SIDE BROOM MOUNTING BRACKET
LS1016043	CLAMPING SPACER

**WAIT... WHERE IS THE PART I NEED?**

This catalog is only a portion of the quality replacement parts that Lecal offers.

**CALL 800.543.6161** to access our full spectrum of parts for plows, sweepers, mowers and leaf machines.

LS1016048	PIVOT
LS1016050	MAIN BROOM ARM CUSHION STOP
LS1016057	SPRAY TUBE CLAMP
LS1016059	S.B. LINKAGE MOUNTING BRACKET
LS1016097	OUTER REAR NOZZLE RUBBER
LS1016098	INNER REAR NOZZLE RUBBER
LS1016104	HOSE CONNECTOR WELDMENT
LS1016121	SIDE BROOM RETURN SPRING
LS1016172	CHAIN
LS1016213	MAIN BROOM PIVOT SHAFT
LS1016274	NOZZLE FRAME SPRING
LS1016494	EXTENSION BROOM FRAME WELD.
LS1016510	IDLER PULLEY
LS1016555	IDLER SPACER
LS1016558	IDLER BEARING SPACER
LS1016564	IDLER FORK WELDMENT
LS1016565	IDLER BRACKET WELDMENT
LS1016616	DIRT HOPPER DEFLECTOR
LS1016677	CHAIN SHACKLE
LS1016684	DEFLECTOR SHIM
LS1016688	DEFLECTOR BRACKET WELDMENT
LS1016712	RH TOW BAR BRACKET

**ELGIN**

LS1016713	LH TOWBAR BRACKET
LS1016717	RH TOWBAR BRACKET
LS1016718	LH TOWBAR BRACKET
LS1016731	UPPER SUCTION HOSE GASKET
LS1016755	NOZZLE RUNNER
LS1016756	LH TOWBAR BRACKET
LS1016763	COGGED BANDED BELT, 5 BANDS
LS1016942	RH DIRT SHOE ASSEMBLY
LS1016943	LH DIRT SHOE ASSEMBLY
LS1016982	PIN WELDMENT
LS1017426	TAPER-LOCKING BUSHING, 1-1/2"
LS1017546	S.B. LINKAGE BRACKET WELD.
LS1017546SP	S.B. LINKAGE BRACKET WELD.
LS1017549	GARLOCK BUSHING
LS1018010	THRUST WASHER
LS1018016	LUBRICATING HOSE
LS1018112	PIVOT BLOCK
LS1018120	TURNBUCKLE
LS1018129	BRONZE BUSHING
LS1018153	RH THD ROD END BEARING
LS1018154	LH THD ROD END BEARING
LS1018205	WASHER
LS1018414	SIDE BROOM CYLINDER SPACER
LS1018415	SIDE BROOM CYLINDER SPACER
LS1019350	HOPPER DOOR FLAP
LS1019552	SIDE BROOM BRACKET STIFFENER
LS1019591	DRAWBAR ROD END
LS1019608	SHUTTER WELDMENT
LS1019827	DIRT DEFLECTOR
LS1019828	CLAMP
LS1019876	SIDE BROOM SHOCK SPRING
LS1019888	SPRING GUIDE
LS1019913	REAR RUBBER MOUNTING BRACKET
LS102017	CABLE
LS102018	MAIN BROOM ARM CABLE
LS1020243	FLEXIBLE DRAW CATCH ASSEMBLY
LS1020312	LOCKING PIN, STAINLESS STEEL
LS1020359	LH ENGINE COMP HINGE WELD.
LS1020362	RH ENGINE COMP HINGE WELD.
LS1020630	GUIDE WHEEL SEAL
LS1020796	EXTENSION BROOM CURTAIN
LS1020806	THREADED ROD, SS
LS1020807	SIDE BROOM TURNBUCKLE BODY
LS1020865	SPACER
LS1020866	ROD WELDMENT
LS1020871	PIPE
LS1020875	SIDE BROOM SPRING
LS1020902	PIPE WELDMENT
LS1021051	FLANGE BEARING
LS1021348	FLAP
LS1021349	CLAMP STRIP
LS1021364	POWER RELAY
LS1021366	CYLINDER BRACKET SHAFT WELD.
LS1021367	CYLINDER PIN WELDMENT
LS1021760	GUTTER BROOM CLUTCH PIN STOP
LS1021761	BROOM DRIVE SPROCKET
LS1021767	HUB
LS1022330	ANCHOR SHACKLE

THESE ARE OUR MOST POPULAR REPLACEMENT PARTS • MANY MORE PARTS AVAILABLE – JUST ASK!



**ELGIN**

LS1022362	IDLER ARM
LS1022382	DIFFERENTIAL AXLE SPROCKET
LS1022475	CABLE
LS1022632	HYDRAULIC OIL STRAINER
LS1022660	PIN WELDMENT
LS1022733	WASHER
LS1022741	LH MAIN BROOM ARM
LS1022881	CONVEYOR DRIVE CHAIN, 37-PITCH, 1 OL, 1 CL
LS1023332	BUSHING
LS1023338	SIDE BROOM MOUNTING WELD.
LS1023353	PIN WELDMENT
LS1023359	HYDRAULIC MOTOR, 1-1/4" SMOOTH SHAFT
LS1023364	MAIN BROOM STUB SHAFT
LS1023367	FLAT WASHER
LS1023393	RH CHANNEL WELDMENT
LS1023412	ROD GUIDE
LS1023421	LH CHANNEL WELDMENT
LS1023467	RH NOZZLE DRAWBAR
LS1023468	LH NOZZLE DRAWBAR
LS1023674	STRIP BRUSH
LS1023985	FUEL TANK SENDING UNIT
LS1023988	BANDED COGGED V-BELT, 5 BANDS
LS1024038	HINGE ROD
LS1024247	SPRAY BODY, 1 FEMALE, 2 MALE
LS1024249	STRAINER
LS1024284	REAR CURTAIN
LS1024285	CENTER BOARD WELDMENT
LS1024292	SPHERICAL BEARING
LS1024330	CURTAIN
LS1024331	CENTER BOARD ASSEMBLY
LS1024333	CLAMP
LS1024335	INNER FRONT CURTAIN
LS1024414	FRONT RUBBER MOUNT
LS1024430	QUICK DISCONNECT
LS1024500	SIDE BROOM CHAIN
LS1024502	SNAP LINK
LS1024611	SIDE BROOM MOTOR BRACKET
LS1024973	RUBBER STRAP
LS1025068	BELLOWS
LS1025337	GROMMET
LS1025992	SS FILTER CARTRIDGE
LS1025993	HOUSING W/ HEAD, NO FILTER
LS1026283	QUICK DISC GASKET

**ELGIN**

LS1026402	TORQUE PLATE
LS1026543	LH DIRT SHOE PLATE
LS1026544	RH DIRT SHOE PLATE
LS1026757	TOW BAR ASSEMBLY
LS1026758	PIVOT
LS1026761	TOW BAR WELDMENT
LS1026803	FILL HOSE CONN
LS1026817	SIDE BROOM PIVOT PIN
LS1026951	PIVOT BRACKET
LS1027358	CENTERBOARD CHAIN
LS1027438	MOTOR HYDRAULIC, CORR. SHAFT
LS1027460	HYDRAULIC BREATHER FILTER
LS1027511	FILL PLUG
LS1027612	PVC PIPE, 1.50" x 32.00"
LS1027867	SHEAR PIN ASSEMBLY
LS1028002	AIR VALVE-B
LS1028114	PIVOT PIN WELDMENT
LS1028308	IMPELLER SHAFT SEAL
LS1028409	CHAIN
LS1028425	LH ENG COMP HINGE WELDMENT
LS1028426	RH ENG COMP HINGE WELDMENT
LS1029423	SIDE BROOM RETURN SPRING
LS1029438	SPACER
LS1029442	SIDE BROOM PIN
LS1029483	FRONT CURTAIN
LS1029941	LOCK COLLAR, 2 PC., 3" I.D.
LS1029942	STEEL SPLIT LOCK COLLAR, 2 PC
LS1029948	SIDE BROOM SLINGER SEAL
LS103029	HOLDING PLATE
LS103030	SPACER
LS1030405	FRONT CURTAIN MTG CHANNEL
LS1030408	CURTAIN MOUNTING ANGLE
LS1030409	RH BRACKET
LS1030469	WATER HOSE, 19" LONG
LS1030533	INNER CURTAIN ASSEMBLY
LS1030553	RETURN FILTER ELEMENT
LS1030598	GREASE NIPPLE W/ ZERK
LS1030623	SIDE BROOM SHOCK MOUNT
LS1030743	IDLER BOLT STOP
LS1030744R	RUBBER PRESSURE SLOT CURTAIN
LS1030745	CLAMP
LS1030809	FLOW CONTROL VALVE
LS1030810	PRESSURE SLOT BRACKET
LS1030830	SPRING LINK PLATE

**ELGIN**

LS1030833	HOSE NIPPLE
LS1030862	SPRAY NOZZLE, BRASS
LS1030868	REDUCER BUSHING -BII
LS1030916	PIPE TEE, 1/2"
LS103103	RH DRAG SHOE PLATE
LS1031159	GASKET
LS1031165	PIN WELDMENT
LS1031390	AIR SOLENOID VALVE
LS1031392	SPRING ANCHOR WELDMENT
LS1031439	CENTER FRAME BEZEL
LS1031440	MOUNTING FM END SPRAGUE RKR
LS1031597	LUBRICATING HOSE
LS1031769	SAFETY SNAP PIN
LS1031823	GATE VALVE TOGGLE SWITCH
LS1031923	PREACHER STAND GASKET
LS1031964	MASTER CYLINDER
LS1031965	MASTER CYLINDER REPAIR KIT
LS1031966	BRAKE POWER ASSIST
LS1031969	LH-P EXTENDED WINDOW, CLEAR
LS1031970	RH-P EXTENDED WINDOW, CLEAR
LS103203	LH DRAG SHOE PLATE
LS1032072	MINIATURE RELAY
LS1032076	BRAKE TURN SIGNAL LIGHT, RED
LS1032085	HYDRAULIC FILTER ELEMENT
LS1032099	POWER ASSIST REPAIR KIT
LS1032379	OUTER SPRING
LS1032481	16'-8" WATER FILL HOSE
LS1032484	WATER FILL HOSE ASSY., 25-FT. LG
LS1032528	PLASTIC PIPE PLUG, 1-1/2"
LS1032761	ROCKER SWITCH
LS1032764	ROCKER SWITCH, MOM-OFF-MOM, 12V
LS1032829	BARBED FITTING
LS1032832	SHOCK MOUNT WASHER
LS1032861	THROTTLE CABLE
LS1032952	SOLENOID VALVE ASSEMBLY
LS1032976	HOSE, 13" I.D. x 42" LG. x 3" CUFFS
LS1032981	SPRAY NOZZLE, SS
LS1032982	SPRAY NOZZLE, SS
LS1032990	IGNITION SWITCH W/ KEYS
LS1032991	POWER RELAY
LS1033004	90-DEG. ELBOW, 060RFS/060RB
LS1033009	90-DEG. ELBOW, 040RFS/060RB
LS1033201	THROTTLE CABLE ASSEMBLY

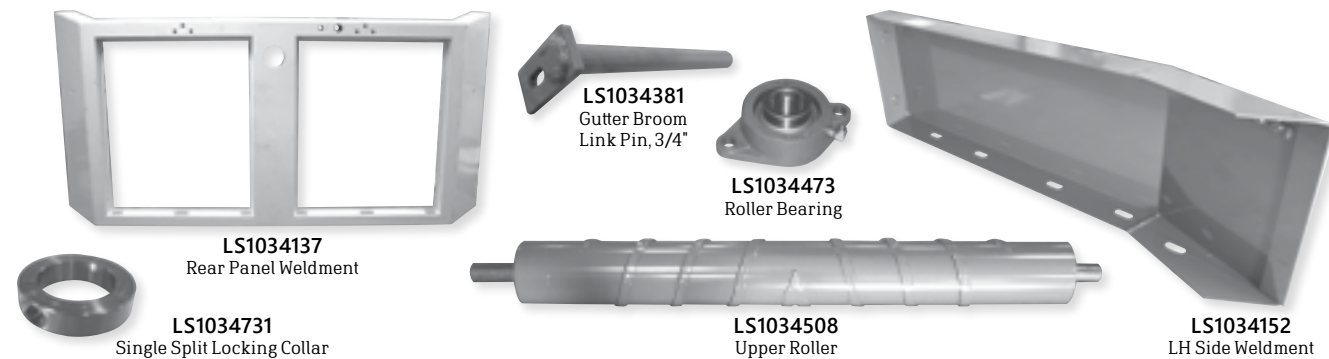
START SAVING TODAY! CONTACT LACAL BY PHONE 800-543-6161 or EMAIL SALES@LACAL.COM

ALL PARTS ARE GUARANTEED TO MEET WITH YOUR APPROVAL. Lecal Equipment, Inc. offers after-market parts for road and highway maintenance equipment. All original equipment manufacturer's names, drawings, colors and part numbers are used for identification purposes only. Lecal is in no way implying that any of our products are original equipment parts.

START SAVING TODAY! CONTACT LACAL BY PHONE 800-543-6161 or EMAIL SALES@LACAL.COM

ALL PARTS ARE GUARANTEED TO MEET WITH YOUR APPROVAL. Lecal Equipment, Inc. offers after-market parts for road and highway maintenance equipment. All original equipment manufacturer's names, drawings, colors and part numbers are used for identification purposes only. Lecal is in no way implying that any of our products are original equipment parts.

THESE ARE OUR MOST POPULAR REPLACEMENT PARTS • MANY MORE PARTS AVAILABLE – JUST ASK!



## ELGIN

LS1033242	LOWER WEATHER STRIPPING
LS1033243	SIDE WEATHERSTRIP, LONG
LS1033244	SIDE WEATHERSTRIP, SHORT
LS1033245	TOP WEATHERSTRIP
LS1033302	CENTER WEATHERSTRIP
LS1033320	COVER
LS1033338	CURTAIN
LS1033339	DEFLECTOR
LS1033433	ROCKER SWITCH, MOM-ON-ON 12V
LS1033588	ELASTIC NUT
LS1033600	ROCKER SWITCH, ON-OFF-ON, 12V
LS1033642	STRAIGHT ORFS 08-08
LS1033645	6-BLADE FAN, PUSHER
LS1033752	SIDE BROOM LIGHT SWITCH
LS1033753	SIDE BROOM SWITCH
LS1034100	DIRT HOPPER
LS1034133	CONVEYOR FRAME
LS1034137	REAR PANEL WELDMENT
LS1034138	LH REAR DOOR
LS1034148	HOPPER DOOR PANEL
LS1034152	LH SIDE WELDMENT
LS1034153	RH STEP WELDMENT
LS1034277	HOPPER TILT CYLINDER PIN
LS1034281	DOOR CYLINDER PIN
LS1034284	LOWER DOOR PIVOT PIN
LS1034285	CYLINDER PIN
LS1034291	CHANNEL
LS1034299	GUTTER BROOM DISC WELDMENT
LS1034372	SPACER
LS1034377	RH SIDE BROOM SUPPORT WELD.
LS1034381	GUTTER BROOM LINK PIN, 3/4"
LS1034424	SCREW
LS1034427	LH CONVEYOR SIDE COVER
LS1034428	RH CONVEYOR SIDE COVER
LS1034431	DEFLECTOR WEIGHT
LS1034439	ROLLER SCRAPER ANGLE
LS1034439A	SCRAPER ASSEMBLY
LS1034440	BELT SCRAPER
LS1034441	BELT SCRAPER CLAMP
LS1034443	RH CONVEYOR SEAL PLATE
LS1034444	LH CONVEYOR SEAL PLATE
LS1034450	SPACER PLATE
LS1034456	TOP SEAL
LS1034465	MOUNTING BRACKET

## ELGIN

LS1034473	ROLLER BEARING
LS1034474	UPPER ROLLER BEARING
LS1034504	DIFFUSER
LS1034507	BRONZE BUSHING
LS1034508	UPPER ROLLER
LS1034509	LOWER ROLLER
LS1034525	MAIN BROOM AIR SPRING
LS1034539	PIVOT SHAFT
LS1034561	SPACER WELDMENT
LS1034588	SEAL
LS1034696	STRAINER
LS1034720	CONVEYOR BELT, 48" X 18-FT
LS1034731	SINGLE SPLIT LOCKING COLLAR
LS1034734	RH MOUNTING BRACKET ASSEMBLY
LS1034735	LH MOUNTING BRACKET ASSEMBLY
LS1034748	STRAINER
LS1034755	AIR SPRING
LS1034780	THROTTLE CABLE ASSEMBLY
LS1034833	HOPPER LIFT/LOWER LENS
LS1034878	SPACER
LS1034958	TUBE ASSEMBLY
LS1034982	TUBE ASSEMBLY
LS1034983	TUBE ASSEMBLY
LS1034984	TUBE ASSEMBLY
LS1034985	TUBE ASSEMBLY
LS1034986	TUBE ASSEMBLY
LS1034987	TUBE ASSEMBLY
LS1035029	SIDE SEAL
LS1035030	RETAINING STRIP
LS1035031	HOPPER SEAL RETAINING STRIP
LS1035092	DOUBLE LIP TRIM, 11"
LS1035141	BACKING BAR
LS1035148	ADJUSTING SCREW PLATE
LS1035204	STEP
LS1035206	CONVEYOR SPACER
LS1035209	SILENCER PLUG
LS1035212	MALE SWIVEL ADAPTER
LS1035266	IGNITION SWITCH AUX
LS1035285	OVERFLOW TANK W/CAP
LS1035288	LH WHEEL WELL COVER
LS1035289	RH WHEEL WELL COVER
LS1035327	MALE CONNECTORS 4-2
LS1035354	HOPPER PIVOT APRON
LS1035382	HOPPER COVER

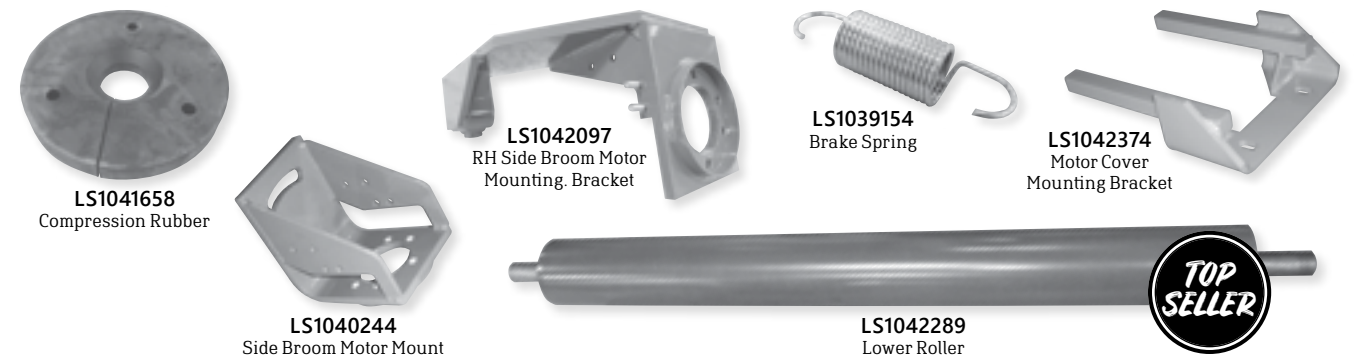
## ELGIN

LS1035436	BEARING SEAL
LS1035437	SEAL
LS1035470	PIVOT APRON RETAINER
LS1035480	LH DIRT SHOE ASSEMBLY
LS1035481	RH DIRT SHOE ASSEMBLY
LS1035484	LH DIRT SHOE PLATE
LS1035485	RH DIRT SHOE PLATE
LS1035486	RUNNER CLAMP
LS1035563	REAR PANEL ASSEMBLY
LS1035584	HOPPER DUMP SWITCH
LS1035587	CONVEYOR ROTATE SWITCH
LS1035589	HOPPER UP/SERV FILT LT
LS1035591	HOPPER LIFT/LOWER SWITCH
LS1035597	CLAMP
LS1035601	EYE BOLT
LS1035668	ADHESIVE STRIP
LS1035825	DUAL AIR PRESSURE GAUGE
LS1035853	ALTERNATOR BELT
LS1035911	CLEVIS PIN
LS1035916	RUBBER STOP
LS1035982	LH RUNNER DIRT SHOE
LS1035985	RH RUNNER DIRT SHOE
LS1035987	DEFLECTOR
LS1035988	BACKING BAR
LS1036029	BEARING
LS1036056	DIRT DEFLECTOR EXT
LS1036256	HOSE, 14" I.D. x 30" W/3" CUFFS
LS1036327	SWITCH
LS1036378	DEFLECTOR
LS1036399	FUEL & WATER TANK STRAP
LS1036413	SEALED TERMINAL E-1
LS1036466	PRESSURE REDUCING VALVE
LS1036467	QUICK RELEASE VALVE
LS1036503	IDLER BEARING BUSHING
LS1036590	GAS SPRING
LS1036645	ANGLE
LS1036648	PRESSURE SWITCH
LS1036679	SANDWICH MOUNT
LS1036701	RH FENDER WELDMENT
LS1036752	3-WAY BALL VALVE, 1"
LS1036887	CASTER RIG W/WHEEL ASSEMBLY
LS1037043	DUST SEPARATOR DOOR WELD.
LS1037085	SHEAVE
LS1037086	BUSHING

START SAVING TODAY! CONTACT LACAL BY PHONE 800-543-6161 or EMAIL SALES@LACAL.COM

ALL PARTS ARE GUARANTEED TO MEET WITH YOUR APPROVAL. Local Equipment, Inc. offers after-market parts for road and highway maintenance equipment. All original equipment manufacturer's names, drawings, colors and part numbers are used for identification purposes only. Local is in no way implying that any of our products are original equipment parts.

THESE ARE OUR MOST POPULAR REPLACEMENT PARTS • MANY MORE PARTS AVAILABLE – JUST ASK!



## ELGIN

LS1037131	LINK ADJUSTER
LS1037152	PRESSURE PROTECTION VALVE
LS1037159	ADJUSTER ROD
LS1037225	COUNTER WEIGHT
LS1037298	RUBBER MOUNT
LS1037375	DEFLECTOR
LS1037379	SPRING RETAINING BRACKET
LS1037396	DIRT DEFLECTOR KIT
LS1037405	CLEVIS PIN
LS1037536	SPROCKET
LS1037774	UPPER ROLLER
LS1037840	FUEL TANK FILL CAP
LS1037841	OVER CENTER LATCH
LS1037905	PRESSURE SWITCH ASSEMBLY
LS1037921	FLOOD LAMP
LS1038563	NOZZLE MOUNT WELDMENT
LS1038564	PIVOT PLATE
LS1038601	COVER SUPPORT WELDMENT
LS1038613	LH BROOM COVER
LS1038652	CURTAIN
LS1038820	FUEL FILTER/WATER SEPARATOR ASSEMBLY
LS1039090	CHAIN
LS1039154	BRAKE SPRING
LS1039200	GUIDE WHEEL HUB CAP
LS1039206	SPACER TUBE
LS1039287	SPACER WELDMENT
LS1039291	THROTTLE CABLE
LS1039308	WASHER
LS1039665	TILT ARM WELDMENT, S/P
LS1039672	BACK UP ALARM
LS1039694	BROOM ARBOR ASSEMBLY
LS1039695	FIBER GUARD
LS1039699	BROOM ARBOR WELDMENT
LS1039864	POWER SOLENOID
LS1039889	LINEAR ACTUATOR
LS1039984	MAIN BROOM KIT
LS1040010	BRASS SPRAY NOZZLE
LS1040011	BRASS SPRAY NOZZLE
LS104003	PIN WELDMENT
LS1040065	WATER HOSE, 10" LONG
LS1040087	SPRING-DISC WASHER
LS1040091	BROOM ARBOR ASSEMBLY
LS1040092	BROOM ARBOR

## ELGIN

LS1040092C	WELDMENT FLANGE
LS1040124	CENTERBOARD WELDMENT
LS1040126	CENTERBOARD CURTAIN
LS1040244	SIDE BROOM MOTOR MOUNT
LS1040410	ROLLER
LS1040448	INLET SHROUD
LS1040475	REDUCER
LS1040603	RH COVER WELDMENT
LS1040604	LH COVER WELDMENT
LS1040670	EYE BOLT
LS1040769	PIN WELDMENT
LS1040817	LH COVER WELDMENT
LS1040819	RH LOWER SHEET WELDMENT
LS1040926	SWITCH MOMENTARY NC
LS1040934	DUST CAP
LS1041045	SIDE BROOM ASSEMBLY LATCH
LS1041221P	POLY DEFLECTOR
LS1041221R	RUBBER DEFLECTOR
LS1041222	RETAINER STRIP
LS1041223	COVER
LS1041238	PRESSURE REGULOTOR VALVE
LS1041287	BROOM COVER
LS1041310	MAIN BROOM COVER SPRING
LS1041316	LH BROOM ARM STOP WELDMENT
LS1041329	RH BROOM ARM STOP WELDMENT
LS1041330	CENTERBOARD CURTAIN
LS1041331	CENTER BOARD ASSEMBLY
LS1041367	CONVEYOR CURTAIN
LS1041409	4-BOLT GUTTER BROOM MOTOR
LS1041516	CURTAIN MOUNTING ANGLE
LS1041572	1 CLEAT BELT SECTION, NO HOLES
LS1041658	COMPRESSION RUBBER
LS1041729	CENTER BROOM MOTOR
LS1041807	BALL SOCKET FIELD KIT
LS1041866	LINEAR ACTUATOR
LS1041867	LEVER WELDMENT
LS1041936	CURTAIN
LS1041937	DOOR WELDMENT
LS1041940	HOSE CLAMP, 13"
LS1041942	CONVEYOR HYDRAULIC MOTOR
LS1042051	THRUST BEARING
LS1042074	UPPER CONVEYOR HANGER
LS1042075	DRIVE PIN
LS1042076	LOWER CONVEYOR HANGER

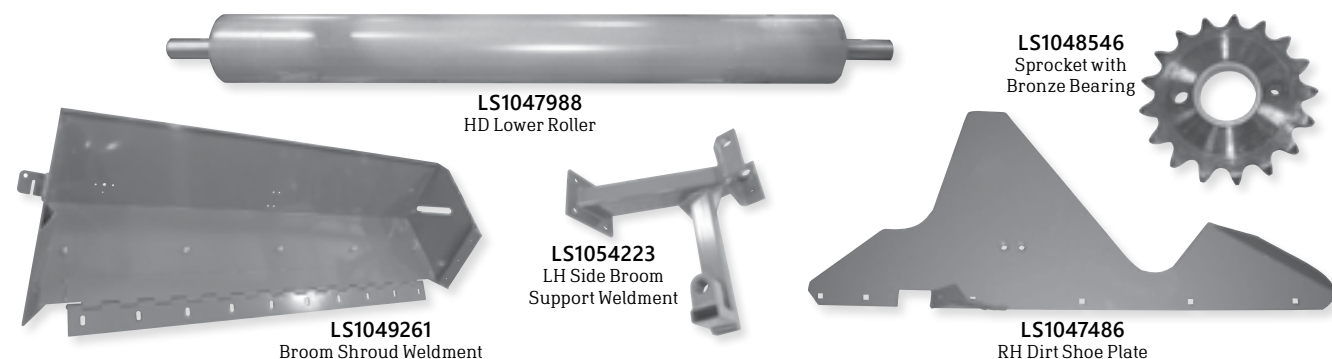
## ELGIN

LS1042080	BALANCE SPRING TUBE
LS1042097	RH S. BROOM MOTOR MTG. BRKT.
LS1042143	CLEAN-OUT DOOR WELDMENT
LS1042156	MAIN BROOM COUNTERWEIGHT
LS1042289	LOWER ROLLER
LS1042334	HOSE ASSEMBLY
LS1042374	MOTOR COVER MOUNTING BRKT
LS1042375	MOTOR COVER
LS1042382	SPACER PLATE
LS1042465	BAH PRESSURE SLOT BRACKET
LS1042504	CHAIN
LS1042530	MAIN BROOM HYDRAULIC MOTOR
LS1042629	SOLENOID VALVE ASSEMBLY
LS1042664	CONVEYOR DRIVE CHAIN COVER
LS1042702	TOWBAR PIN
LS1042727	WELD-ON COLLAR
LS1042728	TOWBAR PIN REPLACEMENT
LS1042729	TOWBAR PIN REPLACEMENT KIT
LS1042810	MOTOR PLATE
LS1042812	CHAIN
LS1042826	CROSS BAR WELDMENT
LS1042839	HYDRAULIC PUMP
LS1042874	FRONT SUPPORT BROOM COVER
LS1042881	SIDE BROOM DISC
LS1042881B	HUB
LS1042994	REAR DOOR
LS1043038	LH SIDE BROOM MOUNTING WELD.
LS1043145	PICKUP HEAD
LS1043204	STEERING VALVE ASSEMBLY
LS1043234	SELF-LUBE BEARING
LS1043235	SELF-LUBE BEARING
LS1043236	BEARING
LS1043343	AIR SOLENOID VALVE ASSEMBLY
LS1043475	BROOM LIFT WELDMENT
LS1043528	HYDRAULIC MOTOR
LS1043616	REAR SHROUD CENTER LATCH
LS1043652	SIDE BROOM MOTOR MNT. WELD.
LS1043658	MAIN BROOM ARM
LS1043668	SIDE BROOM U-JOINT
LS1043669	JACK SHAFU U-JOINT
LS1043801	DIRT HOPPER W/GATE
LS1043825	COUPLING
LS1044101	HD/AR LOWER ROLLER WELDMENT
LS1044122	HOPPER DOOR

START SAVING TODAY! CONTACT LACAL BY PHONE 800-543-6161 or EMAIL SALES@LACAL.COM

ALL PARTS ARE GUARANTEED TO MEET WITH YOUR APPROVAL. Local Equipment, Inc. offers after-market parts for road and highway maintenance equipment. All original equipment manufacturer's names, drawings, colors and part numbers are used for identification purposes only. Local is in no way implying that any of our products are original equipment parts.

THESE ARE OUR MOST POPULAR REPLACEMENT PARTS • MANY MORE PARTS AVAILABLE – JUST ASK!



ELGIN

LS1044187	WEATHERSTRIP, 2.00" X 90
LS1044494	SWITCH ASSEMBLY
LS1044538	HD ROLLER BEARING
LS1044630	SIDE BROOM SHEAR PIN KNOB
LS1044727	LH SIDE DEFLECTOR
LS1044728	RH SIDE DEFLECTOR
LS1044753	POP RIVET
LS1044775	BEARING CAP RETAINER
LS1044808	LUBRICATING HOSE, 24"
LS1045127	INLET RING
LS1046004	RH SIDE BROOM LATCH WELDMT
LS1046005	LH SIDE BROOM LATCH WELDMT
LS1046039	PNEUMATIC VALVE ASSY, 1/8" PO
LS1046125	MOUNTING BAND
LS1046618	ELECTRIC/WATER PUMP
LS1046681	SEALED CONNECTOR
LS1046723	CONVEYOR COVER UPPER HALF
LS1046725	CONVEYOR COVER LOWER HALF
LS1046751	RH MOTOR MOUNT, TILT OPTION
LS1046752	LH MOTOR MOUNT, TILT OPTION
LS1046822	REAR DOOR
LS1046834	BLIND HANDLE, KEYED
LS1046845	REAR DOOR HINGE
LS1047024	AIR CLEANER
LS1047424	MAIN BROOM ARM BRACE
LS1047485	LH DIRT SHOE PLATE
LS1047486	RH DIRT SHOE PLATE
LS1047487	LH DIRT SHOE ASSEMBLY
LS1047488	RH DIRT SHOE ASSEMBLY
LS1047602	CHAIN, 28 LINKS, 24" LONG
LS1047684	SPRING ADJ. BRACKET
LS1047693	LH TOWBAR ASSEMBLY
LS1047694	RH TOWBAR ASSEMBLY
LS1047695	LH TOWBAR WELDMNT W/BUSH
LS1047696	RH TOWBAR WELDMNT W/BUSH
LS1047701	RH EXTENDED WINDOW, CLEAR
LS1047702	LH EXTENDED WINDOW, CLEAR
LS1047970	SWIVEL CONNECTOR
LS1047988	HD LOWER ROLLER
LS1047989	HD UPPER ROLLER, HD FRAME
LS1048045	INSPECTION COVER GASKET
LS1048058	INSPECTION DOOR W/LINER
LS1048058W	INSPECTION DOOR W/O LINER
LS1048214	V-BELT

ELGIN

LS1048218	SLEEVE-SPACER
LS1048227	WINDOW
LS1048228	WINDOW
LS1048254	LOWER BLOWER HSG. W/LINATEX
LS1048326	TURNBUCKLE
LS1048331	PIVOT PIN
LS1048350	COUNTERBALANCE BLOCK WEIGHT
LS1048412	IMPELLER SHAFT
LS1048546	SPROCKET W/ BRONZE BEARING
LS1048596	PRESSURE SWITCH, 3 PSI, N/C
LS1048741	TAKE-UP BEARING
LS1048773	LINEAR ACTUATOR, 12"
LS1048774	SIDE DOOR WEATHERSTRIP
LS1048775	SIDE DOOR WEATHERSTRIP
LS1048896	WINDOW LATCH BRACKET
LS1048909	WATER LEVEL SENDER
LS1049107	AIR PRESSURE SWITCH, 40 PSI
LS1049108	AIR PRESSURE SWITCH, 70 PSI
LS1049109	LH WINDOW LATCH ASSY. W/HDW.
LS1049110	RH WINDOW LATCH ASSY. W/HDW.
LS1049160	TRIM SEAL, PUSH ON
LS1049161	TRIM SEAL, PUSH ON
LS1049162	TRIM SEAL, PUSH ON
LS1049179	RUBBER MAIN BROOM COVER
LS1049252	POWER RELAY
LS1049261	BROOM SHROUD WELDMNT
LS1049269	TUBE HANGER BRACKET
LS1049270	COVER HANGER TUBE
LS1049303	PUSH BUTTON SWITCH
LS1049373	SPACER BAR
LS1049375	HOSE, 8" x 168" O.A.L. W/4" CUFFS
LS1049388	PNEUMATIC FILTER/REGULATOR
LS1049389	TAMPER RESISTANT KIT
LS1049444	AIR VALVE
LS1049459	OIL/AIR PRESSURE SENDER
LS1049460	VALVE MOUNTING BAR
LS1049569	BROOM COVER, INNER, COATED
LS1049629	RH SIDE BROOM BRACKET
LS1049630	LH SIDE BROOM BRACKET
LS1049666	MAIN BROOM COVER
LS1049755	MAIN BROOM COVER, SUSP. KIT
LS1049815	RH BROOM COVER
LS10500091	CENTER BROOM BRUSH ASSY.
LS10500291	CENTER BRUSH, 77.50" LONG

ELGIN

LS10500391	CENTER BRUSH CHANNEL WELD.
LS1050050	HOPPER DOOR SEAL, 291.50" LG
LS1050104	FAN HOUSING
LS1050119	FRONT PLATE WELDMNT
LS1050120	FAN DUCT WELDMNT
LS1050177	STD. BROOM DISC WELDMNT
LS1050200	WAND. HOSE SUPPORT STRAP
LS1050466	HOPPER PIN
LS1050468	SIDE BROOM PIVOT CLAMP
LS1050626	MINI REGULATOR PANEL
LS1050687	BLOWER BOOT
LS1050691	BOOT CLAMP STRAP
LS1050731	FLANGE BEARING
LS1051005	AIR CLEANER
LS1051098	CLAMP W/HOOK BOLT, 11"
LS1051128	CHAIN
LS1051391	FRONT CURTAIN
LS1051392	CLAMP STRIP
LS1051433	LIFT & TURN LATCH
LS1051446	SPACER
LS1051454	SUCTION HOSE, 11" X 65"
LS1051477	FAN OUTLET SEAL
LS1051596	HOPPER DOOR PROP
LS1051755	POWER CLAMP, 8"
LS1051756	RUBBER GASKET
LS1051878	WANDERING HOSE, 8" x 8'6"
LS1052070	LOWER FAN HSG., LINATEX LINED
LS1052225	MAG PICKUP ASSEMBLY
LS1053020	LH MAIN BROOM ARM
LS1053085	DIRT SHOE CLAMP
LS1053093	SINGLE SPLIT SET COLLAR, 1-1/2"
LS1053389	PIVOT BEARING ASSEMBLY
LS1053447	CURTAIN
LS1053503	FUEL HOSE
LS1053604	SPACER
LS1053640	CONVEYOR WASHOUT PIPE
LS1053650	BUMP STOP SPACER
LS1053738	HYDRAULIC CYL. ASSY., 1.00 x 3.50
LS1053861	COVER KIT
LS1053918	POSITION SENDER
LS1054048	MOMENTARY NC SWITCH
LS1054050	FULL LOAD SWITCH
LS1054102	PIVOT SHAFT WELDMNT
LS1054105	PIVOT BLOCK ASSEMBLY

START SAVING TODAY! CONTACT LACAL BY PHONE 800-543-6161 or EMAIL SALES@LACAL.COM

ALL PARTS ARE GUARANTEED TO MEET WITH YOUR APPROVAL. Lical Equipment, Inc. offers after-market parts for road and highway maintenance equipment. All original equipment manufacturer's names, drawings, colors and part numbers are used for identification purposes only. Lical is in no way implying that any of our products are original equipment parts.

THESE ARE OUR MOST POPULAR REPLACEMENT PARTS • MANY MORE PARTS AVAILABLE – JUST ASK!



ELGIN

LS1054130	RH DIRT SHOE PLATE
LS1054131	LH DIRT SHOE PLATE
LS1054132	RH DIRT SHOE ASSEMBLY
LS1054132C	RH DIRT SHOE ASSEMBLY
LS1054133	LH DIRT SHOE ASSEMBLY
LS1054133C	LH DIRT SHOE ASSEMBLY
LS1054136	DEFLECTOR
LS1054153	CURTAIN CLAMP
LS1054184	BRAKE/CLUTCH ASSEMBLY
LS1054185	CLAMP
LS1054223	LH SIDE BROOM SUPPORT WELD.
LS1054230	RH DEFLECTOR PLATE
LS1054231	LH DEFLECTOR PLATE
LS1054243	ADJUSTING ARM SPRING
LS1054254	DIRT DEFLECTOR KIT W/CURTAIN
LS1054267	DR CARBIDE RUNNER, 32-1/2"
LS1054322	LONG RUBBER DIRT RUNNER
LS1054322U	LONG URETHANE DIRT RUNNER
LS1054345	RH SIDE BROOM LINK TILT WELD.
LS1054346	LH SIDE BROOM LINK TILT WELD.
LS1054436	RH TILT BRACKET
LS1054480	DIRT DEFLECTOR
LS1054485	RETAINER PLATE
LS1054487	MAIN BROOM CYLINDER
LS1054535	REAR SLOT WELDMNT
LS1054537	REAR CURTAIN
LS1054573	MODIFIED SHROUD
LS1054576	TOW BAR
LS1054577	TOWBAR ASSEMBLY
LS1054578	REAR CURTAIN WELDMNT
LS1054582	FRONT CURTAIN ASSEMBLY
LS1054585	FRONT SLOT WELDMNT
LS1054593	DEFLECTOR
LS1054641	LH DIRT SHOE
LS1054745	RH WINDOW CHANNEL
LS1054781	WATER TEMP SENDER
LS1054797	MOTOR COUPLER
LS1054848	RH SIDE BROOM LINK
LS1054849	LH SIDE BROOM LINK
LS1054863	SHUTDOWN SOLENOID
LS1054864	REAR CONVEYOR CARBIDE SHOE
LS1055120	CONV./CYLINDER VALVE
LS1055143	HYDRAULIC VALVE ASSEMBLY
LS1055182	HYD RETURN MANIFOLD

ELGIN

LS1055189	TORQUE ARM PLATE
LS1055218	RH EXTENDED WINDOW, TINTED
LS1055219	LH EXTENDED WINDOW, TINTED
LS1055224	MAIN BROOM STUB SHAFT
LS1055265	DOUBLE SPLIT SET COLLAR
LS1055538	INPUT SHAFT
LS1055587	HYDRAULIC CYLINDER ASSEMBLY
LS1055724	COUPLING KIT
LS1055780	WOODRUFF KEY MOD
LS1055850	HOSE BASKET
LS1055898	RUBBER BUMPER
LS1056068	RADIATOR LOWER HOSE
LS1056122	RADIATOR UPPER HOSE
LS1056376	THROTTLE CABLE BRACKET
LS1056377	CABLE BRACKET WELDMNT
LS1056689	DEFLECTOR WELDMNT
LS1056855	RH NOZZLE MOUNTING WELDMNT
LS1056856	LH NOZZLE MOUNTING WELDMNT
LS1057109	SEALING CLAMP PLATE
LS1057110	SEALING CLAMP PLATE
LS1057125	CONVEYOR BOTTOM COVER
LS1057126	DRAPЕ MOUNTING ANGLE
LS1057466	RETAINING PLATE
LS1057492	FAN OUTLET SEAL, 89"
LS1057673	MAIN BROOM DEFLECTOR
LS1057680	DOOR CHECK STRAP
LS1057699	CONVEYOR DRIVE SPROCKET
LS1057770	LIFT ARM UPDATE KIT
LS1057797	DIRECTIONAL VALVE, 12V
LS1057932	DEFLECTOR WELDMNT
LS1057968	COOLING FAN, 21" DIA.
LS1057993	WASHER
LS1058000	MICRO RELAY
LS1058022	RETAINER PLATE
LS1058025	SIDE SEAL
LS1058042	ADJUSTMENT BRACKET
LS1058045	PIVOT SHAFT
LS1058086	DRAWBAR BRACKET
LS1058110	RH CYLINDER MOUNTING BRACKET
LS1058111	LH CYLINDER MOUNTING BRACKET
LS1058112	LINK PIN WELDMNT
LS1058145	HOSE CONNECTOR WELDMNT
LS1058146	RH GUTTER SHOE WELDMNT
LS1058147	LH GUTTER SHOE WELDMNT

ELGIN

LS1058150	LOWER ROLLER CURTAIN
LS1058151	CLAMP STRIP
LS1058161	DEFLECTOR WELDMNT
LS1058165	BEARING FLANGE, 2-BOLT
LS1058198	RH DRAWBAR WELDMNT
LS1058199	LH DRAWBAR WELDMNT
LS1058223	MAIN BROOM DEFLECTOR KIT
LS1058264	RH RETAINING BRACKET
LS1058265	LH RETAINING BRACKET
LS1058383	REAR NOZZLE BAR WELDMNT
LS1058387	IMPELLER W/HUB
LS1058395	CLAMP STRIP
LS1058581	RELAY-70 AMP MIMI
LS1058588	LH HOPPER DOOR CAM WELD.
LS1058589	RH HOPPER DOOR CAM WELD.
LS1058702	END TUBE WELDMNT
LS1058704	WANDERING HOSE CONNECTOR
LS1058710	MAIN BROOM BEARING
LS1058796	PIVOT ARM WELDMNT
LS1058808	BLOWER HSG. & IMPELLER ASSY.
LS1058814	BLOWER HSG. & IMPELLER ASSY.
LS1058831	W.H. END MOUNTING WELDMNT
LS1058839	FRONT BROOM COVER
LS1058850	BROOM FRONT COVER CURTAIN
LS1058855	BRONZE BEARING
LS1058924	LH ROD END
LS1058925	RH ROD END
LS1058944	FRONT CURTAIN
LS1058945	FRONT CURTAIN ASSEMBLY
LS1058947	FRONT CURTAIN
LS1058950	REAR CURTAIN
LS1058951	REAR CURTAIN ASSEMBLY
LS1058961	ADAPTER TUBE, UP TO J284
LS1058962	LH DR SHOE W/PLATE
LS1058962PL	LH SHOE PLATE ONLY
LS1058962S	LH DR SHOE W/PLATE
LS1058962SR	LH SR SKID SHOE
LS1058963	RH DR SHOE W/PLATE
LS1058963PL	RH SHOE PLATE ONLY
LS1058963SR	RH SR SKID SHOE
LS1058964	LH CARBIDE SHOE
LS1058965	RH CARBIDE SHOE
LS1059047	IMPELLER

START SAVING TODAY! CONTACT LACAL BY PHONE 800-543-6161 or EMAIL SALES@LACAL.COM

ALL PARTS ARE GUARANTEED TO MEET WITH YOUR APPROVAL. Lical Equipment, Inc. offers after-market parts for road and highway maintenance equipment. All original equipment manufacturer's names, drawings, colors and part numbers are used for identification purposes only. Lical is in no way implying that any of our products are original equipment parts.

THESE ARE OUR MOST POPULAR REPLACEMENT PARTS • MANY MORE PARTS AVAILABLE – JUST ASK!

**ELGIN**

LS1059056	PICKUP HEAD, UPTO S/N J0294
LS1059056I	SUCTION TUBE
LS1059062	DR CARBIDE
LS1059070	SEPARATOR DOOR WELDMENT
LS1059075	SEPARATOR WELDMENT
LS1059076	ROCKER SWITCH, SPDT, ON-OFF
LS1059078	ROCKER SWITCH, ON-MOM, 12V
LS1059080	ROCKER SWITCH, ON-ON, 12V
LS1059082	ROCKER SWITCH, ON-ON-ON, 12V
LS1059083	ROCKER SWITCH, ON-ON, 12V
LS1059110	SCREEN
LS1059146	SEAL CLAMPING PLATE
LS1059172	INNER REAR CURTAIN ASSEMBLY
LS1059184	REAR BROOM COVER CURTAIN
LS1059254	NOZZLE, FC, 90-DEG., 1.9, BR
LS1059277	BOOM WELDMENT
LS1059283	HOIST UPPER PIN WELDMENT
LS1059286	HOSE CONNECTOR ASSEMBLY
LS1059297	PICKUP HEAD STOP KIT
LS1059300	PRESSURE TUBE
LS1059302	SUCTION TUBE, UP TO J284
LS1059350	HOLE PLUG
LS1059360	SUSPENSION SPRING, ZINC PLATED
LS1059362	HOSE, 14" I.D. x 26" x 3" CUFFS
LS1059363	ACTUATOR MOUNT
LS1059364	V-BAND COUPLING
LS1059381	HOPPER DOOR
LS1059424	HOSE CONNECTOR WELDMENT
LS1059510	LATCH PIN
LS1059524	IGNITION SWITCH
LS1059570	FUEL & OIL HOSE, .50" I.D. x 4"
LS1059607	PIVOT SHAFT WELDMENT
LS1059747	LIFT PIVOT PIN
LS1059752	SCISSORS SHAFT
LS1059753	ROLLER
LS1059754	RETAINING WASHER
LS1059763	PIN
LS1059764	LIFT PIN
LS1059786	HOIST PIN WELDMENT
LS1059808	DIRT HOPPER WELDMENT
LS1059820	HOPPER DOOR HINGE PIN, SS
LS1059824	INSPECTION DOOR WELDMENT
LS1059825	HOPPER ASSEMBLY
LS1059826	SEALED LEVER LATCH
LS1059827	HOPPER GLASS
LS1059828	WINDOW MOLDING
LS1059909	THRUST BEARING, BRONZE
LS1060150	RH LOWER SHEET WELDMENT
LS106016	CONVEYOR SUPPORT BRACKET
LS1060161	TUBE WELDMENT
LS106023	CURTAIN STRAP
LS1060274	PIN
LS1060293	MAKE/BREAK BRACKET
LS1060322	HOSE, 11" I.D. x 59" W/3.5" CUFFS
LS1060373	SEPARATOR DOOR MTG. ANGLE
LS1060374	SEPARATOR DOOR HINGE ANGLE
LS1060378	PNEUMATIC VALVE
LS1060409	RELIEF VALVE

**ELGIN**

LS1060519	ROCKER SWITCH, MOM-OFF-ON
LS106054	RUBBER CLAMP BAR
LS1060570	ELBOW
LS1060589	ADJUSTING BRACKET
LS1060596	CASTER WHEEL ASSEMBLY
LS1060598	GUTTER BROOM PLATE WELDMENT
LS1060633	CASTER SPACER
LS1060678	MAKE/BREAK STAND WELDMENT
LS1060682	MAKE/BREAK TUBE WELDMENT
LS1060733	VALVE-SOL 2-WAY N/C
LS1060750	SPACER
LS1060838	CHAIN MOUNT ANGLE
LS1060910	SIDE CURTAIN
LS1060911	SUPPORT CLAMP
LS1060912	CLAMP STRIP
LS1060941	FLOW CONTROL VALVE
LS1061078	SEAL RETAINER PLATE
LS1061087	CLEVIS PIN
LS1061172	PIVOT PIN
LS1061173	AC COMPRESSOR W/ CLUTCH

**WAIT... WHERE IS THE PART I NEED?**

This catalog is only a portion of the quality replacement parts that Lcal offers.

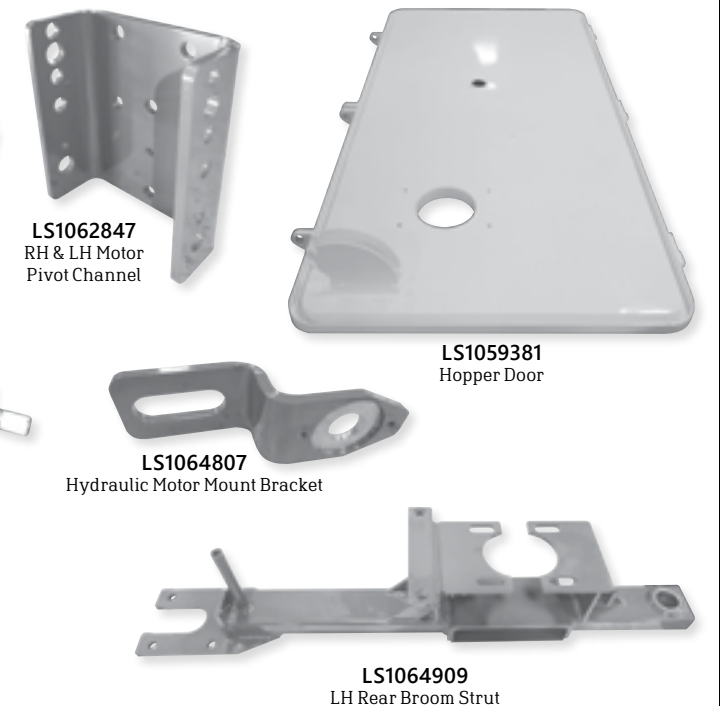
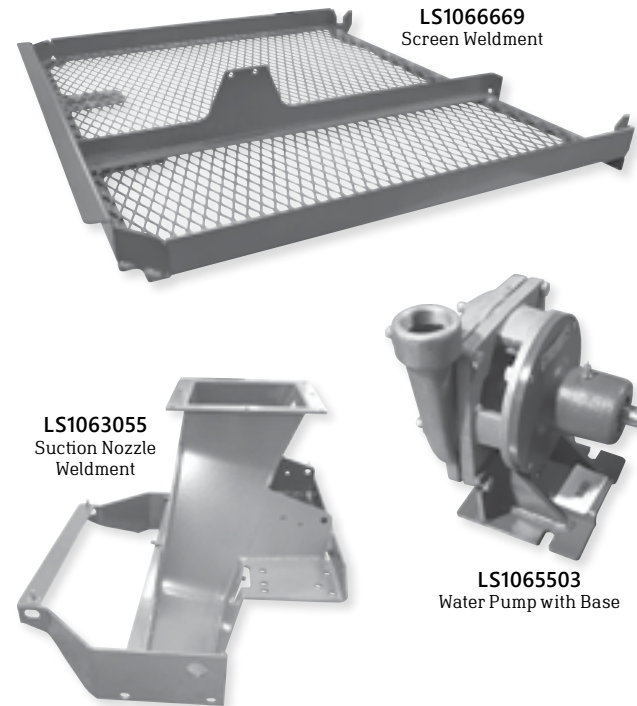
**CALL 800.543.6161** to access our full spectrum of parts for plows, sweepers, mowers and leaf machines.

LS1061184	SIDE BROOM TURNBUCKLE BODY
LS1061226	RH PIVOT MOUNT
LS1061227	LH PIVOT MOUNT
LS1061236	SPACER
LS1061261	SPRING BRACKET
LS1061262	LATCH PLATE
LS1061295	RH SIDE BROOM TILT MOUNT WELD.
LS1061329	LH SIDE BROOM TILT MOUNT WELD.
LS1061361	LH GATE VALVE WELDMENT
LS1061408	SHOCK ABSORBER
LS1061408LAC	MAIN BROOM SHOCK ABSORBER
LS1061411	TOW BAR MOUNTING PLATE
LS1061452	BACKING PLATE
LS1061472	LH REAR PANEL BRACKET
LS1061488	SWITCH CHANNEL BRACKET
LS1061489	SWITCH DOOR WELDMENT
LS1061535	LH MAIN BROOM ARM
LS1061538	PIPE NIPPLE, 1.50"
LS1061638	NYLON PAD
LS1061667	ISO MOUNT, RUBBER
LS1061680	SPRING PIN

**ELGIN**

LS1061730	PNEUMATIC VALVE W/WIRING
LS1061810	LATCH STRIKE WELDMENT
LS1061863	HOPPER DOOR CATCH LINK
LS1061894	ADJUSTING SCREW
LS1061907	EXTENDED LIFE IMPELLER
LS1061997	LH TAKE UP WELDMENT
LS1061998	RH TAKE UP WELDMENT
LS1062005	CONVEYOR FRAME
LS1062009	CENTER BROOM FRAME WELDMENT
LS1062014	ANGLE
LS1062058	WELDMENT PIPE & BRACKET
LS1062066	LH SPRAY NOZZLE ROD
LS1062072	SPRING COTTER
LS1062386	CHAIN, 47 LINKS
LS1062591	HOPPER WELDMENT
LS1062681	IDLER PULLEY SUPPORT
LS1062769	LH SIDE BROOM WELDMENT
LS1062778	RH PIVOT MOUNT
LS1062779	LH PIVOT MOUNT
LS1062782	PIVOT SHAFT
LS1062783	PIVOT SHAFT RETAINER
LS1062818	CHAIN BRACKET
LS1062843	SIDE BROOM TRANS EYE BRACKET
LS1062847	RH & LH MOTOR PIVOT CHANNEL
LS1062874	HOSE CONNECTOR WELDMENT
LS1063055	SUCTION NOZZLE WELDMENT
LS1063123	HOSE CONNECTOR TRANSITION
LS1063124	HOSE CONNECTOR WELDMENT
LS1063149	ORIFICED ADAPTER, .062
LS1063288	HOPPER DEFLECTOR WELDMENT
LS1063321	CHANNEL MOUNTING
LS1063376	MOUNTING PLATE
LS1063686	LH LOWER SHEET WELDMENT
LS1063688	RH LOWER SHEET WELDMENT
LS1063690	LH UPPER SHEET WELDMENT
LS1063692	RH UPPER SHEET WELDMENT
LS1063824	90-DEG. BRASS NOZZLE
LS1063833	HYDRAULIC MOTOR COUPLING
LS1063874	REDUCER BELL
LS1063997	RH TAILLIGHT
LS1063998	LH TAILLIGHT
LS1064069	CLAMPING PLATE
LS1064108	CLAMPING PLATE
LS1064155	SHAFT & FLANGE WELDMENT
LS1064251	RH SUCTION NOZZLE ASSEMBLY
LS1064295	QUICK CLAMP ASSEMBLY, 14 5/8
LS1064324	RETAINER PLATE
LS1064393	SIDE BROOM CURTAIN
LS1064415	SUCTION TUBE
LS1064416	ADAPTER TUBE
LS1064448	RH GATE VALVE BRACKET
LS1064632	DRAWBAR TOW BRACKET
LS1064657	CLAMP
LS1064677	SIDE BROOM CURTAIN HANGERS
LS1064704	FAN GUARD
LS1064727	HYDRAULIC CYLINDER, 2" x 10"
LS1064782	CONVEYOR HYDRAULIC MOTOR
LS1064784	RH SUCTION NOZZLE ASSEMBLY

THESE ARE OUR MOST POPULAR REPLACEMENT PARTS • MANY MORE PARTS AVAILABLE – JUST ASK!

**ELGIN**

LS1064788	HARDENED STEEL DOWEL PIN
LS1064789	CONV. MOTOR & COUPLING KIT
LS1064792	SUCTION NOZZLE HOSE, 13" x 55"
LS1064805	CONVEYOR MOTOR/COUPLING KIT
LS1064807	HYD. MOTOR MOUNT BRACKET
LS1064842	MAIN BROOM LIFT CHAIN
LS1064843	WEAR SPACER
LS1064896	LH DIRT SHOE PLATE
LS1064897	RH DIRT SHOE PLATE
LS1064909	LH REAR BROOM STRUT
LS1064910	RH REAR BROOM STRUT
LS1064936	WATER PUMP - EBARA
LS1064975	CENTER BROOM SWIVEL WELD.
LS1064995	CENTER BROOM PIVOT TUBE ASSY.
LS1065094	RH TOW TUBE WELDMENT
LS1065127	IDLER BEARING BUSHING
LS1065166	IDLER BOLT
LS1065213	SLEEVE BEARING
LS1065214	SLEEVE BEARING
LS1065218	V-BELT PULLEY, 4.25
LS1065377	EXHAUST HANGER
LS1065390	HYDRAULIC TUBE ASSEMBLY
LS1065391	HYDRAULIC TUBE ASSEMBLY
LS1065397	RH MAIN BROOM ARM
LS1065451	NOZZLE ADJUST WELDMENT
LS1065454	SPRAY BAR MOUNTING ANGLE
LS1065465	NOZZLE MOUNT PLATE
LS1065473	WATER PUMP
LS1065481	NOZZLE PLATE STOP WELDMENT
LS1065486	LH WEAR PLATE
LS1065488	RH WEAR PLATE
LS1065503	WATER PUMP WITH BASE

**ELGIN**

LS1065510	WATER PUMP WITHOUT BASE
LS1065551	MAKE/BREAK SHIM PLATE
LS1065647	CENTER BROOM COVER WELDMENT
LS1065648	AIR BLOCKING PLATE
LS1065649	AIR BLOCKING PLATE
LS1065651	PICKUP HEAD, S/N J0295+
LS1065652	PICKUP HEAD SUB ASSEMBLY
LS1065655	SUCTION TUBE WELDMENT, S/N J285 & UP
LS1065665	PUSH-LOK TEE CONNECTOR
LS1065672	WEIGHT
LS1065678	PLATE
LS1065679	PLATE-CLAMPING
LS1065750	RH CLAMP ANGLE
LS1065751	LH CLAMP ANGLE
LS1065754	STRAIGHT CONNECTOR
LS1065755	HOSE BASKET
LS1065756	RH GATE VALVE WELDMENT, 11"
LS1065757	LH GATE VALVE WELDMENT, 11"
LS1065844	GUIDE ANGLE
LS1065868	CENTER BROOM COVER
LS1065869	LH C. BROOM COVER BRACKET
LS1065870	RH C. BROOM COVER BRACKET
LS1065985	HOSE BASKET ASSEMBLY
LS1066019	FRONT CURTAIN
LS1066021	SIDE BROOM CURTAIN
LS1066022	SIDE BROOM CURTAIN CLAMP
LS1066032	CLAMP ANGLE WELDMENT
LS1066056	DIFFUSER WELDMENT
LS1066062	FENDER MOUNT WELDMENT
LS1066077	NOZZLE, 90-DEG., .38, BRASS
LS1066095	RH REAR FENDER

**ELGIN**

LS1066118	U BOLT
LS1066192	SCREEN LINK WELDMENT
LS1066223	HOSE, 11" I.D. x 55" W/5" CUFFS
LS1066225	ROCKER SWITCH, ON-ON, 12V
LS1066226	ROCKER SWITCH, MOM-OFF-MOM
LS1066232	CLAMP ANGLE
LS1066297	VALVE-1 NPT BALL
LS1066307	BRACKET MOUNTING
LS1066361	RH GATE VALVE ASSEMBLY
LS1066369	LH GATE WELDMENT
LS1066370	RH GATE WELDMENT
LS1066396	LH COVER PLATE WELDMENT
LS1066397	RH COVER PLATE WELDMENT
LS1066432	LATCH HANDLE WELDMENT
LS1066436	COMPRESSION SPRING
LS1066437	PLATE BEARING MOUNT
LS1066524	PLUG
LS1066525	VALVE-PROP FLOW IN
LS1066543	DEFLECTOR PLATE
LS1066640	SERVICE DOOR PLATE
LS1066656	STRAP PLATE
LS1066669	SCREEN WELDMENT
LS1066679	HANDLE WELDMENT
LS1066695	LOOP WELDMENT
LS1066759	HOPPER CURTAIN
LS1066776	WATER PUMP, EBARA
LS1066780	C. BROOM WEIGHT PLATE, 6-LBS
LS1066802	MUD FLAP
LS1067018	WANDERING HOSE WELDMENT
LS1067033	EBARA WATER PUMP
LS1067108	RH AIR GATE HARNESS
LS1067270	DUAL AIR OIL COOLER

START SAVING TODAY! CONTACT LACAL BY PHONE 800-543-6161 or EMAIL SALES@LACAL.COM

*ALL PARTS ARE GUARANTEED TO MEET WITH YOUR APPROVAL. Lcal Equipment, Inc. offers after-market parts for road and highway maintenance equipment. All original equipment manufacturer's names, drawings, colors and part numbers are used for identification purposes only. Lcal is in no way implying that any of our products are original equipment parts.*

START SAVING TODAY! CONTACT LACAL BY PHONE 800-543-6161 or EMAIL SALES@LACAL.COM

*ALL PARTS ARE GUARANTEED TO MEET WITH YOUR APPROVAL. Lcal Equipment, Inc. offers after-market parts for road and highway maintenance equipment. All original equipment manufacturer's names, drawings, colors and part numbers are used for identification purposes only. Lcal is in no way implying that any of our products are original equipment parts.*

THESE ARE OUR MOST POPULAR REPLACEMENT PARTS • MANY MORE PARTS AVAILABLE – JUST ASK!

## ELGIN

LS1067309	CENTERBOARD BRACKET
LS1067319	AIR DEFLECTOR
LS1067369	BAH PICKUP HEAD
LS1067564	CROSS BAR WELDMENT
LS1067566	LH BROOM COVER
LS1067568	RH BROOM COVER
LS1067654	SCRAPER WELDMENT
LS1067738	BROOM SPACER
LS1067760	SCISSORS SHAFT
LS1067877	CENTERBOARD DEFLECTOR ASSY.
LS1067979	SCREEN OVERFLOW
LS1068048	TURNBUCKLE, 1 UNC x 3.25
LS1068071	RH THREADED ROD
LS1068072	LH THREADED ROD
LS1068090	POWER TAKEOFF PULLEY
LS1068113	LATCH BAR WELDMENT
LS1068117	UPPER LINK WELDMENT
LS1068152	HOPPER DOOR FLAP
LS1068153	CLAMPING STRIP
LS1068170	SIDE BROOM TILT ACTUATOR
LS1068188	COUPLING, JAW-LO75
LS1068257	INLINE CHECK VALVE
LS1068346	IDLER MOUNTING WELDMENT
LS1068450	ROCKER SWITCH, ON-ON, 12V
LS1068452	ROCKER SWITCH, ON-ON, 12V
LS1068718	SIDE BROOM MOTOR BRACKET
LS1068723	SIDE BROOM MOTOR BRACKET
LS1068724	ANGLE SUPPORT MOUNT
LS1068728	CENTER BROOM END PLATE WELD.
LS1068781	POLYMER FAN
LS1068902	GUTTER BROOM ACTUATOR
LS1068998	HD ELEVATOR COVER
LS1069000	HD ELEVATOR FRAME W/LINERS
LS1069002	ABRASION-RESISTANT UPPER LINER, 1/4"
LS1069004	HD LOWER ELEVATOR LINER
LS1069026	HOSE CLAMP, 11"
LS1069106	RH SPRAY NOZZLE MOUNTING WELD.
LS1069357	LH BROOM COVER SIDE
LS1069358	RH BROOM COVER SIDE
LS1069366	REAR BROOM ROD WELDMENT
LS1069785	HOPPER DOOR WELDMENT
LS1069848	RH BROOM COVER PLATE
LS1069849	LH BROOM COVER PLATE
LS1069981	HOSE, 13" x 64" W/4" CUFFS
LS1070024	MANIFOLD MOUNTING PLATE
LS1070084	BRUSH SEAL
LS1070252A	CENTER CONVEYOR SEAL BRKT.
LS1070252B	RH CONVEYOR SEAL BRACKET
LS1070252C	LH CONVEYOR SEAL BRACKET
LS1070269	EXTENSION DEFLECTOR
LS1070323	CONVEYOR SUB-ASSEMBLY
LS1070407	RH NOZZLE RETURN BRKT. WELD.
LS1070419	LH SIDE PLATE
LS1070420	RH SIDE PLATE
LS1070496	SHAFT ROLLER PIN
LS1070497	LINK PIN
LS1070498	HOPPER PIVOT PIN

## ELGIN

LS1070563	LIFT PIN
LS1070610	BEARING
LS1070651	BALL SOCKET
LS1070677	TILT BASE ASSEMBLY
LS1070680	HOPPER SUB FRAME
LS1070688	WATER VALVE
LS1070697	SCISSOR ROLLER BEARING
LS1070705	UPPER OUTSIDE LEG
LS1070710	SCISSORS ROLLER
LS1070784	RH CONVEYOR CURTAIN WELDMENT
LS1070786	LH CONVEYOR CURTAIN WELDMENT
LS1070787	BOTTOM COVER PLATE
LS1070816	SILENCER
LS1070822	3-PIN CONNECTOR
LS1070969	BEACON GUARD WELDMENT
LS1070981	FAN PULLEY
LS1070995	FAN PULLEY
LS1071018	CLEVIS ROD
LS1071019	CLEVIS PIN W/COTTER PIN
LS1071074	LH DOOR FRAME

## ASSEMBLIES

SAVE TIME &amp; MONEY

Let LACAL Boost Your Productivity!

Instead of ordering a pile of individual parts, you can get a whole completed machine section. Look for the word "ASSEMBLY" or "ASSY" in our product listings – or just ask!

LS1071075	RH DOOR FRAME
LS1071111	HOPPER WELDMENT
LS1071162	UPPER ROLLER CONVEYOR
LS1071297	CONNECT VALVE
LS1071493	LH TOWBAR BRACKET KIT
LS1071494	RH TOWBAR BRACKET KIT
LS1071502	FILTER W/BRACKET
LS1071514	LH TOWBAR BRACKET
LS1071515	RH TOWBAR BRACKET
LS1071576	LH DEFLECTOR WELDMENT
LS1071613	CLEVIS ROD
LS1071639	CLEVIS PIN W/COTTER
LS1071695	STEM BUMPER
LS1071795	RH DEFLECTOR WELDMENT
LS1071879	HYDRAULIC SIDE BROOM MOTOR
LS1072211	ROD END, .625 MALE
LS1072245	REAR FENDER
LS1072246	BRACKET
LS1072252	SANDWICH MOUNT
LS1072268	FENDER FLAP BAR
LS1072291	BULB SEAL, 186" LONG

## ELGIN

LS1072347	MOUNTING LINK WELDMENT
LS1072349	UPPER SHUTTER SEAL
LS1072350	LOWER SHUTTER SEAL
LS1072351	SEAL CLAMP
LS1072352	SHUTTER SEAL KIT
LS1072410	RH CYL. MOUNTING TUBE WELD.
LS1072707	HOPPER PIVOT PIN
LS1072708	PIVOT PIN
LS1072714	PIVOT PIN WELDMENT
LS1072765	BOTTOM ANGLE
LS1072816	CURTAIN
LS1072817	CURTAIN
LS1072818	CURTAIN BRACKET
LS1072819	CURTAIN
LS1072820	CURTAIN PLATE
LS1072837	MAIN BROOM PIVOT SHAFT
LS1072921	SEAL CLAMP PLATE
LS1072922	RETAINER RING
LS1072923	SEAL MOUNTING ANGLE
LS1072928	SHAFT
LS1073034	LOWER CONVEYOR COVER
LS1073103	WATER TANK LENS
LS1073106	WATER TANK COVER GASKET
LS1073110	MAIN BROOM COVER
LS1073139	CLAMP RING
LS1073191	CURTAIN
LS1073295	TUNNEL COVER WELDMENT
LS1073427	BLOWER HSG. & IMPELLER ASSY.
LS1073430	DIFFUSER LIST WELDMENT
LS1073432	DIFFUSER DOOR WELDMENT
LS1073494	FLUID CUP PILOT BEARING
LS1073698	HYDRAULIC MOTOR
LS1073980	LH LIFT CAM ASSEMBLY
LS1074011	PUSH/PULL SWITCH
LS1074079	AIR CLEANER, 9" DIAMETER
LS1074087	FENDER FLAP
LS1074136	SUCTION TUBE DEFLECTOR
LS1074463	ISOLATION MOUNT
LS1074478	S. BROOM, 44", CABLE/WIRE COMBO
LS1074511	AIR-CLEANER, 9" O.D. 90D
LS1074584	LOWER MAIN BROOM ARM
LS1074586	CYLINDER PIN, .75D
LS1074587	CYLINDER PIN
LS1074594	SPACER
LS1074596	HUB SPINDLE ADAPTER
LS1074643	CCW BLOWER FAN, 23"
LS1074755	CONVEYOR FRAME
LS1074846	LH CONVEYOR TAKE-UP
LS1074855	BLACK RUBBER KNOB
LS1074858	LH TOW BRACKET WELDMENT
LS1074859	RH TOW BRACKET WELDMENT
LS1074862	TOW BAR
LS1074882	CONVEYOR MOTOR MOUNT
LS1074883	TAKE-UP ADJUST ANGLE
LS1074903	DIRT SHOE PIVOT PIN
LS1074933	CONVEYOR ASSEMBLY
LS1074940	TOW BAR ASSEMBLY
LS1074943	NYLON WASHER

THESE ARE OUR MOST POPULAR REPLACEMENT PARTS • MANY MORE PARTS AVAILABLE – JUST ASK!

LS1072714  
Pivot Pin  
WeldmentLS1078903  
Pillow Block  
BearingLS1076081  
RH Drawbar  
WeldmentLS1074858  
LH Tow Bracket  
WeldmentLS1070651  
Ball SocketLS1067564  
Cross Bar  
Weldment

## ELGIN

LS1074947	M. BROOM MOTOR MNT. ARM ASSY.
LS1074948	M. BROOM MOTOR MNT. ARM WELD.
LS1074977	UPPER CONVEYOR ROLLER
LS1075012	RH UPPER CONVEYOR DEFLECTOR
LS1075095	SPACER
LS1075096	MAIN BROOM DRIVE HUB
LS1075153	SPACER
LS1075217	DEFLECTOR CLAMP
LS1075221	STP-FRT DEFLECTOR CLAMP
LS1075260	VERTICAL DEFLECTOR PANEL
LS1075261	ACCESS DOOR
LS1075262	FRONT DIRT DEFLECTOR
LS1075263	FRONT CENTERBOARD
LS1075264	REAR CENTERBOARD
LS1075265	RH CENTERBOARD CLAMP
LS1075266	LH CENTERBOARD CLAMP
LS1075267	CLAMP
LS1075289	DEFLECTOR/CONV. HOPPER ANGLE
LS1075290	UPPER SEAL
LS1075300	CLAMPING STRIP
LS1075302	LOWER DIRT DEFLECTOR KIT
LS1075338	CONTROL MODULE SWITCH
LS1075388	DUST CAP
LS1075437	EXHAUST PIPE
LS1075450	WHEEL DRIVE HOSE
LS1075451	WHEEL DRIVE HOSE
LS1075534	RH SIDE BROOM SUPPORT WELD.
LS1075610	COOLANT HOSE UPPER
LS1075617	RH SIDE BROOM PIVOT
LS1075624	LH SIDE BROOM SUPPORT WELD.
LS1075625	LH SIDE BROOM PIVOT WELDMENT
LS1075626	LH SIDE BROOM ASSEMBLY
LS1075635	HOPPER REST PAD
LS1075742	RH SIDE PLATE
LS1075743	LH SIDE PLATE
LS1075802	SUCTION HOSE GASKET
LS1075803	PRESSURE HOSE GASKET
LS1075829	STD BORON DIRT SHOE
LS1075843	CURB SIDE BROOM SKIRT
LS1075844	CURB FLAP
LS1075845	BROOM SHROUD MOUNTING STRIP
LS1075855	REAR BROOM SKIRT
LS1075923	MARKER LT-RED LAMP
LS1075988	HOPPER INSPECTION DOOR WELD.

## ELGIN

LS1075990	SEALED LEVER LATCH
LS1075991	INSPECTION DOOR GASKET
LS1076081	RH DRAWBAR WELDMENT
LS1076087	CURTAIN
LS1076129	LATCH-LEVER DRAW
LS1076137	UPPER BROOM SKIRT
LS1076138	LOWER BROOM SKIRT
LS1076158	LINEAR ACTUATOR
LS1076161	LINEAR ACTUATOR
LS1076220	MUFFLER MOUNTING CLAMP
LS1076419	LH G. BROOM MOTOR MOUNT WELD.
LS1076433	PIVOT PIN WELDMENT
LS1076449	BUSHING, 1.50" I.D.
LS1076468	LH EXT SUPPORT WELDMENT
LS1076573	COVER SUPPORT ANGLE
LS1076575	UPPER CLAMP ANGLE
LS1076638	BRONZE BUSHING, 1" I.D.
LS1076644	GUTTER BROOM LINK ASSEMBLY
LS1076653	LH GUTTER BROOM PIVOT WELD.
LS1076660	GUTTER BROOM PIN WELD., 1"
LS1076665	RH GUTTER BROOM PIVOT WELD.
LS1076726	STEP SUPPORT WELDMENT
LS1076959	FAN MOTOR
LS1076995	POLY PRESSURE SLOT CURTAIN
LS1077129	STEP COVER PANEL
LS1077189	EXHAUST TAIL PIPE, 2.5"
LS1077482	LOWER DIRT DEFLECTOR
LS1077682	RECTANGULAR VENT GRILL
LS1077807	SIDE BROOM PIN
LS1078006	MAIN BROOM DIRT DEFLECTOR KIT
LS1078011	ELEVATOR FRAME W/LINERS
LS1078064	LH DRAWBAR WELDMENT
LS1078094	HINGE
LS1078095	LH TOP HINGE
LS1078097	RH HINGE ASSEMBLY
LS1078098	LH HINGE ASSEMBLY
LS1078123	BEARING W/CAP & ZERK
LS1078136	THROTTLE ACTUATOR BRKT. ASSY.
LS1078275	RADIATOR FAN
LS1078311	THROTTLE ACTUATOR LINK
LS1078319	FUEL TANK STRAP ASSEMBLY
LS1078337	RH DIRT SHOE WELDMENT
LS1078417	SIDE BROOM CYLINDER
LS1078467	KIT-ALARM BACK-UP FS

## ELGIN

LS1078606	LINK ARM
LS1078688	RH M. BROOM COVER END PLATE
LS1078689	LH M. BROOM COVER END PLATE
LS1078692	RH MAIN BROOM STRUT
LS1078693	LH REAR BROOM STRUT
LS1078741	CONVEYOR COVER SUPPORT
LS1078744	MAIN BROOM COVER WELDMENT
LS1078747	M. BROOM COVER MOUNT ANGLE
LS1078765	IMPELLER
LS1078766	LOWER CLAMP ANGLE
LS1078768	COVER HOLD-DOWN TUBE
LS1078774	BRACKET
LS1078796	M.B. COVER HOLD-DOWN PLATE
LS1078812	RH LOWER DEFLECTOR PLATE
LS1078813	LH LOWER DEFLECTOR PLATE
LS1078900	OPEN END CAP
LS1078901	OPEN END CAP/SEAL
LS1078902	CLOSED END CAP
LS1078903	PILLOW BLOCK BEARING
LS1078903LAC	PILLOW BLOCK BEARING
LS1078915	RH LOWER DEFLECTOR ASSEMBLY
LS1078916	LH LOWER DEFLECTOR ASSEMBLY
LS1078939	HYDRAULIC CYLINDER
LS1078961	POLYLUBE BEARING, 2.187" O.D. x 2.015" I.D. x 2.498" LG
LS1079055	FRONT & MAIN BROOM COVER
LS1079068	BRONZE BEARING
LS1079158	GAS SPRING, 500N
LS1079172	END CLOSURE FLAP
LS1079275	LH REAR PLATE
LS1079276	RH REAR PLATE
LS1079450	AXLE STOP BUMPER
LS1079521	CLEVIS PIN
LS1079895	LH ACTUATOR TILT MOUNT WELD.
LS1079901	ACTUATOR PIVOT PLATE
LS1079916	LH GUTTER BROOM MOUNT WELD.
LS1080013	CONVEYOR COVER
LS108006	ROD END PIN
LS10801991	TOP SEAL BRACKET
LS1080270	PUMP MOUNT WELDMENT
LS1080330	SEAL CLAMP
LS1080395	INSPECTION DOOR GASKET
LS1080404	RH ACTUATOR TILT MOUNT WELD.
LS1080447	POLYLUBE BEARING, MRP 2.5
LS1080500	DUAL HYDRAULIC GEAR PUMP

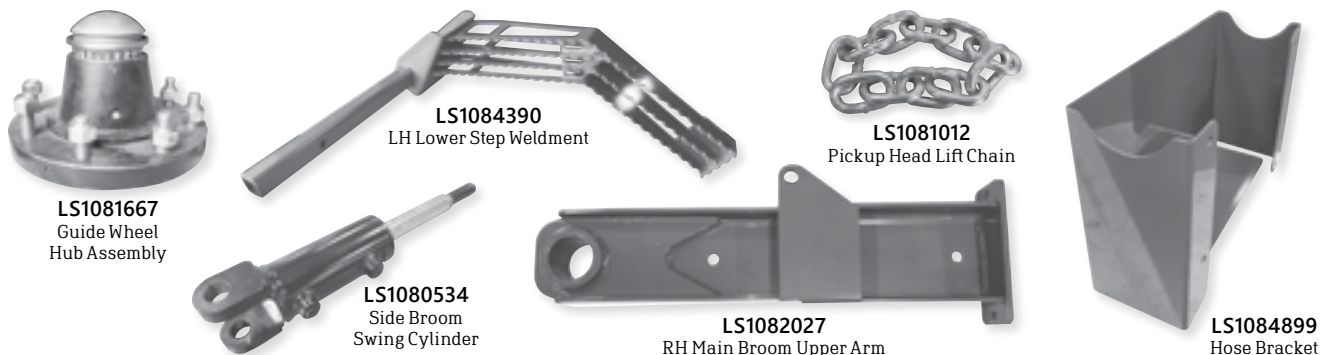
START SAVING TODAY! CONTACT LACAL BY PHONE 800-543-6161 or EMAIL SALES@LACAL.COM

ALL PARTS ARE GUARANTEED TO MEET WITH YOUR APPROVAL. LACAL Equipment, Inc. offers after-market parts for road and highway maintenance equipment. All original equipment manufacturer's names, drawings, colors and part numbers are used for identification purposes only. LACAL is in no way implying that any of our products are original equipment parts.

START SAVING TODAY! CONTACT LACAL BY PHONE 800-543-6161 or EMAIL SALES@LACAL.COM

ALL PARTS ARE GUARANTEED TO MEET WITH YOUR APPROVAL. LACAL Equipment, Inc. offers after-market parts for road and highway maintenance equipment. All original equipment manufacturer's names, drawings, colors and part numbers are used for identification purposes only. LACAL is in no way implying that any of our products are original equipment parts.

THESE ARE OUR MOST POPULAR REPLACEMENT PARTS • MANY MORE PARTS AVAILABLE – JUST ASK!



ELGIN

LS1080534	SIDE BROOM SWING CYLINDER
LS1080539	HYDRAULIC CYL. ASSY., 3.50 x 19.8
LS1080540	HYDRAULIC CYLINDER, 3.50 x 33.5
LS1080541	HYDRAULIC CYLINDER, 2.50 x 11.0
LS1080545	PICKUP HEAD LIFT CYLINDER
LS1080578	LH DIRT SHOE ASSEMBLY
LS1080579	RH DIRT SHOE ASSEMBLY
LS1080617	ELEVATOR SHIM
LS1081012	PICKUP HEAD LIFT CHAIN
LS1081013	80 MESH WATER FILTER, Y-TYPE
LS1081013SP	Y STRAINER, 1"
LS1081018	CLAMP PLATE
LS1081037	TILT ARM
LS1081043	LIFT CHAIN
LS1081081	WATER MANIFOLD
LS1081100	LIFT & TRANSPORT CHAIN
LS1081229	MOUNTING ANGLE
LS1081230	HOPPER WEAR PAD
LS1081386	MAIN BROOM COVER WELDMENT
LS1081461	FSO IMPELLER REPLACEMENT KIT
LS1081469	BALANCED IMPELLER
LS1081507	QUICK RELEASE PIN
LS1081530	IMPELLER
LS1081601	TAPER LOCK BUSHING
LS1081602	TAPER LOCK BUSHING
LS1081603	TAPER LOCK BUSHING
LS1081604	LOCKING ASSEMBLY BUSHING
LS1081667	GUIDE WHEEL HUB ASSEMBLY
LS1082027	RH MAIN BROOM UPPER ARM
LS1082030	LH MAIN BROOM LIFT ARM
LS1082048	LOWER ROLLER DEFLECTOR
LS1082167	SPRING ADJUSTER
LS1082309	RH MIRROR MOUNT WELDMENT
LS1082310	LH MIRROR MOUNT WELDMENT
LS1082332	DIFFUSER DOOR WELDMENT
LS1082386	CHEVRON BELT, 48" x 13.08'
LS1082387	CHEVRON BELT, 48" x 13.58'
LS1082388	CHEVRON BELT, PREPUNCH, 48" x 18'
LS1082718	MIRROR, BALL STUD, UNHEATED
LS1082731	GRILL W/CLIPS & HOSE
LS1082998	MOTOR MOUNT FLEX ARM PLATE
LS1083023	FIBER GUARD FW WELDMENT
LS1083227	AIR SOLENOID VALVE

ELGIN

LS1083229	MUFFLER-BRONZE-04
LS1083365	ELEVATOR ROLLER SUB-ASSEMBLY
LS1083377	FENDER WASHER, 1/4 x 2
LS1083407	WD HOSE SUPER FLEX
LS1083527	MOTOR MOUNT
LS1083530	CHAIN COVER WELDMENT
LS1083546	CONVEYOR LIFT CYLINDER
LS1083580	SHUTTER WELDMENT
LS1083597	DIRT SHOE SCRAPER
LS1083598	SCRAPER CLAMP
LS1083688	SCRAPER RETAIN WELDMENT
LS1083783	HYDRAULIC TANK SIGHT GAUGE
LS1083812	CHAIN COVER MOUNTING BRKT.
LS1083824	LOWER DEFLECTOR PANEL
LS1083892	TANK SUPPORT WELDMENT
LS1083942	UPPER ELEVATOR LINER
LS1083956	HOPPER SEAL
LS1083957	HOPPER SEAL
LS1084043	SIDE BROOM EXHAUST VALVE
LS1084043SK	REPAIR KIT
LS1084144	PNEUMATIC VALVE S. BROOM KIT
LS1084159	D-SEAL, 63-3/4"
LS1084160	WEATHERSTRIP, 2" x 64-3/8"
LS1084181	ASSEMBLY, 4-DIODE
LS1084207SP	FRAME WELDMENT, SPECIAL
LS1084227	ELEVATOR MOUNTING LINK
LS1084229	ELEV. MOUNTING CROSSMEMBER
LS1084232	WATER PUMP, 1 SPEED
LS1084233	PIN WELDMENT
LS1084240	ELEVATOR LIFT PIN WELDMENT
LS1084245	DIRT SHOE LIFT PLATE
LS1084278	SWITCH, MOMENTARY NO
LS1084298	TURNBUCKLE, 1/4"-20
LS1084385	CAB STEP WELDMENT
LS1084389	RH LOWER STEP WELDMENT
LS1084390	LH LOWER STEP WELDMENT
LS1084407	LH CAB STEP WELDMENT
LS1084421	MANIFOLD COVER PANEL
LS1084430S	BELT-TO-CHAIN CONV.
LS1084431	UPPER ELEVATOR SHAFT (MOD)
LS1084432	LOWER ELEVATOR SHAFT (MOD)
LS1084442	FLIGHT ASSEMBLY
LS1084443	CONVEYOR FLIGHT ANGLE
LS1084444	RUBBER SQUEEGEE

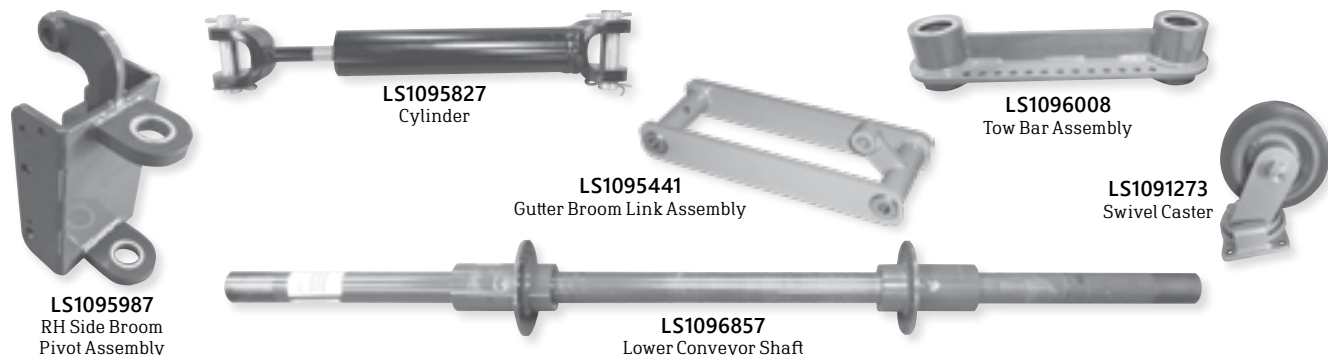
ELGIN

LS1084445	RETAINER BAR
LS1084456	RH DEFLECTOR BRACKET
LS1084457	LH DEFLECTOR BRACKET
LS1084576	ELEVATOR CHAIN, 11 FLT, 79P
LS1084579	HYDRAULIC MANIFOLD COVER
LS1084635	CONVEYOR BEARING PLATE WELD.
LS1084636	MOTOR MOUNTING PLATE WELD.
LS1084670	ELEVATOR ASSY., CHAIN DRIVE
LS1084703	BROOM ROTATION MANIFOLD
LS1084899	HOSE BRACKET
LS1084905	PUMP MOUNTING WELDMENT
LS1084924	SPRAY BAR
LS1084932	DIRT SHOE CRB SPACER
LS1084972	DUST COVER
LS1084979	ELEVATOR STIFFNER BAR
LS1085180	BRISTLE GUARD
LS1085183	BROOM CORE WELDMENT
LS1085184	MAIN BROOM CORE ASSEMBLY
LS1085582	WATER BRACKET
LS1085649	CONVEYOR DIRT BAFFLE
LS1085651	CONVEYOR BAFFLE CLAMP
LS1085683	LG BROOM SPACER, .75
LS1085689	HOPPER REST PAD
LS1085826	TURNBUCKLE, 1" UNC - 8.28"
LS1085997	THRUST WASHER
LS1086059	3-BAND V-BELT
LS1086272	SWITCH
LS1086274	ROCKER SWITCH, ON-NONE-ON, 12V, LED
LS1086311	INSPECTION DOOR, BODY COLOR
LS1086375	RUBBER ISOLATION
LS1086418	FSO - SIDE BROOM AIR VALVE
LS1086646	LH BEACON MOUNT WELDMENT
LS1086665	RH BEACON MOUNT WELDMENT
LS1086737	PIVOT SHAFT CLAMP
LS1086747	METAL SENSOR
LS1086818	MAIN BROOM COVER TOP
LS1086872	SIDE COVER SEAL
LS1086873	UPPER SEAL CLAMP
LS1086891	HYDRAULIC FILTER, T3
LS1086924	LOWER SEAL CLAMP PLATE
LS1087115	LH ELEVATOR STOP WELDMENT
LS1087117	RH ELEVATOR STOP WELDMENT
LS1087154	LH BROOM COVER WELDMENT

START SAVING TODAY! CONTACT LACAL BY PHONE 800-543-6161 or EMAIL SALES@LACAL.COM

ALL PARTS ARE GUARANTEED TO MEET WITH YOUR APPROVAL. Local Equipment, Inc. offers after-market parts for road and highway maintenance equipment. All original equipment manufacturer's names, drawings, colors and part numbers are used for identification purposes only. Local is in no way implying that any of our products are original equipment parts.

THESE ARE OUR MOST POPULAR REPLACEMENT PARTS • MANY MORE PARTS AVAILABLE – JUST ASK!



ELGIN

LS1087155	END PANEL
LS1087174	POTENTIOMETER ASSEMBLY
LS1087214	MAIN BROOM COVER BOTTOM
LS1087317	TRANSDUCER, 500 PSI
LS1087318	TRANSDUCER, 3000 PSI
LS1087694	ELEVATOR STIFFENER BAR
LS1087958	BEARING SPACER
LS1088011	RH CAB STEP WELDMENT
LS1088149	CLEVIS PIN
LS1088151	WATER TANK SIGHT GAGE ASSY.
LS1088271	CENTER DRAG BROOM ANGLE
LS1088273	DRAG BROOM HANGER WELDMENT
LS1088383	OUTER SPRING
LS1088400	DIRT DEFLECTOR
LS1088471	COVER SUPPORT WELDMENT
LS1088475	FRONT COVER WELDMENT
LS1088477	LH COVER WELDMENT
LS1088479	RH COVER WELDMENT
LS1088505	DIRT SHOE SCRAPER
LS1088508	MOTOR MOUNT
LS1088522	GW PIVOT/CYLINDER PIN
LS1088525	SIDE BROOM LINK W/ BUSHINGS
LS1088536	GUTTER BROOM LINK ASSEMBLY
LS1088553	WEAR WASHER
LS1088575	LH DOOR STOP WELDMENT
LS1088578	WEAR SPACER
LS1088702	OIL COOLER CORE ASSEMBLY
LS1088708	RADIATOR CAP, 16 PSI
LS1088872	STROBE LIGHT
LS1089069	UPPER FAN HSG. WELD. W/LINATEX
LS1089472	LOWER ROLLER CURTAIN
LS1089473	CLAMP STRIP PLATE
LS1089568	FSO CAB DOOR HINGE KIT
LS1089666	BROOM WEIGHT PLATE, 12.6 LBS
LS1089679	UPPER HOUSING W/LINATEX
LS1089707	ROD END CLEVIS .25"-20
LS1089742	SPARE DRIVE WHEEL ASSEMBLY
LS1089757	MAIN BROOM ARM WEIGHTS
LS1090389	RH FENDER ASSEMBLY
LS1090390	LH FENDER ASSEMBLY
LS1090391	RH SIDE COVER PANEL
LS1090392	LH SIDE COVER PANEL
LS1090507	LH SIDE BROOM LIFT LINK
LS1090510	LH TURNBUCKLE

ELGIN

LS1090512	RH TURNBUCKLE
LS1090523	RH SIDE BROOM LIFT LINK
LS1090843	QUICK RELEASE PIN
LS1090917	DRAG SHOE ARM
LS1090918	DRAG SHOE ARM
LS1091056	FAN SHAFT ASSEMBLY
LS1091273	SWIVEL CASTER, 8" x 3"
LS1091387	IDLER
LS1091389	IDLER BOLT
LS1091390	BELT, JD ENGINE
LS1091410	RADIATOR/OIL COOLER ASSEMBLY
LS1091483	PIN WELDMENT
LS1091696	LH LIFT ARM WELDMENT
LS1091795	OIL COOLER
LS1091804	RH LIFT ARM WELDMENT
LS1091854	RH SUPPORT WELDMENT
LS1091855	LH SUPPORT WELDMENT
LS1091877	BUMP STOP MOUNT
LS1091933	TANDEM GEAR PUMP
LS1092010	RH SIDE BROOM PIVOT ASSEMBLY
LS1092011	LH SIDE BROOM PIVOT ASSEMBLY
LS1092054	LH LOWER CONVEYOR DEFLECTOR
LS1092055	RH LOWER CONVEYOR DEFLECTOR
LS1092670	SLAM LATCH
LS1092781	SPACER
LS1093022	SWING STOP PLATE
LS1093025	MOTOR PIVOT CHANNEL
LS1093069	CHEVRON BELT, 218.5"
LS1093265	UPPER FAN HOUSING W/LINATEX
LS1093278	RH HOPPER DOOR LATCH
LS1093348	UPPER DIRT DEFLECTOR KIT
LS1093352	TANK SIDE SEAL
LS1093353	HOPPER SIDE SEAL
LS1093357	RH UPPER DIRT DEFLECTOR
LS1093358	LH UPPER DIRT DEFLECTOR
LS1093360	HOPPER CLOSURE FLAP
LS1093470	POLY BEARING
LS1093540	GUTTER BROOM LINK
LS1093565	HYD. CYLINDER ASSY., 2.0/2.08
LS1093572	TANK SEAL PLATE
LS1093619	LIFT ARM PIVOT PIN
LS1093677	BEARING
LS1094019	HD LOWER ROLLER
LS1094264	MAIN BROOM STOP BRACKET

ELGIN

LS1094265	MAIN BROOM STOP TUBE
LS1094412	DOOR HINGE WELDMENT
LS1094423	MUFFLER-EXHAUST, JD 49/66HP-F
LS1094430	FLOOD LIGHT
LS1094580	CHAIN COVER WELDMENT
LS1094584	CHAIN COVER MOUNTING BRACKET
LS1094626	LOWER FAN HOUSING W/LINATEX
LS1094626W	LOWER FAN HOUSING WELDMENT
LS1094734	LOWER FAN HOUSING W/LINATEX
LS1095287	HYDRAULIC MOTOR, 14.5 IN3/R
LS1095441	GUTTER BROOM LINK ASSEMBLY
LS1095809	HINGE PIN, 5.4-YD HOPPER
LS1095827	CYLINDER
LS1095842	LINK PIN KEEPER
LS1095956	LINK PIN
LS1095960	BEARING, MRP SEALED .75
LS1095982	TOW BAR PIVOT PIN
LS1095987	RH SIDE BROOM PIVOT ASSEMBLY
LS1095988	LH SIDE BROOM PIVOT ASSEMBLY
LS1095994	RH DIRT SHOE ASSEMBLY
LS1095995	LH DIRT SHOE ASSEMBLY
LS1096008	TOW BAR ASSEMBLY
LS1096034	RUBBER HOPPER LOWER SEAL
LS1096038	GUTTER BROOM LINK ASSEMBLY
LS1096146	SIDE BROOM CURTAIN
LS1096159	RH DIRT SHOE ASSY., GREASABLE
LS1096160	LH DIRT SHOE ASSY., GREASABLE
LS1096161	RH DIRT SHOE WELDMENT
LS1096162	LH DIRT SHOE WELDMENT
LS1096163	MOD DIRT SHOE RUNNER
LS1096253	UPPER HOPPER RUBBER SEAL
LS1096368	PIVOT PIN
LS1096369	PIVOT PIN KEEPER
LS1096617	MOTOR-HYD GEAR .192
LS1096821	LARGE SNAP LINK
LS1096857	LOWER CONVEYOR SHAFT
LS1096859	BUSHING
LS1096860	HUB
LS1096862	MOTOR BRACKET
LS1096863	RH TAKE-UP WELDMENT
LS1096866	TAKE UP GUIDE
LS1096871	CONVEYOR WEAR PLATE
LS1096874	ELEVATOR TRAY BOTTOM, RUBBER
LS1096879	ELEVATOR LIFT BEAM WELDMENT

START SAVING TODAY! CONTACT LACAL BY PHONE 800-543-6161 or EMAIL SALES@LACAL.COM

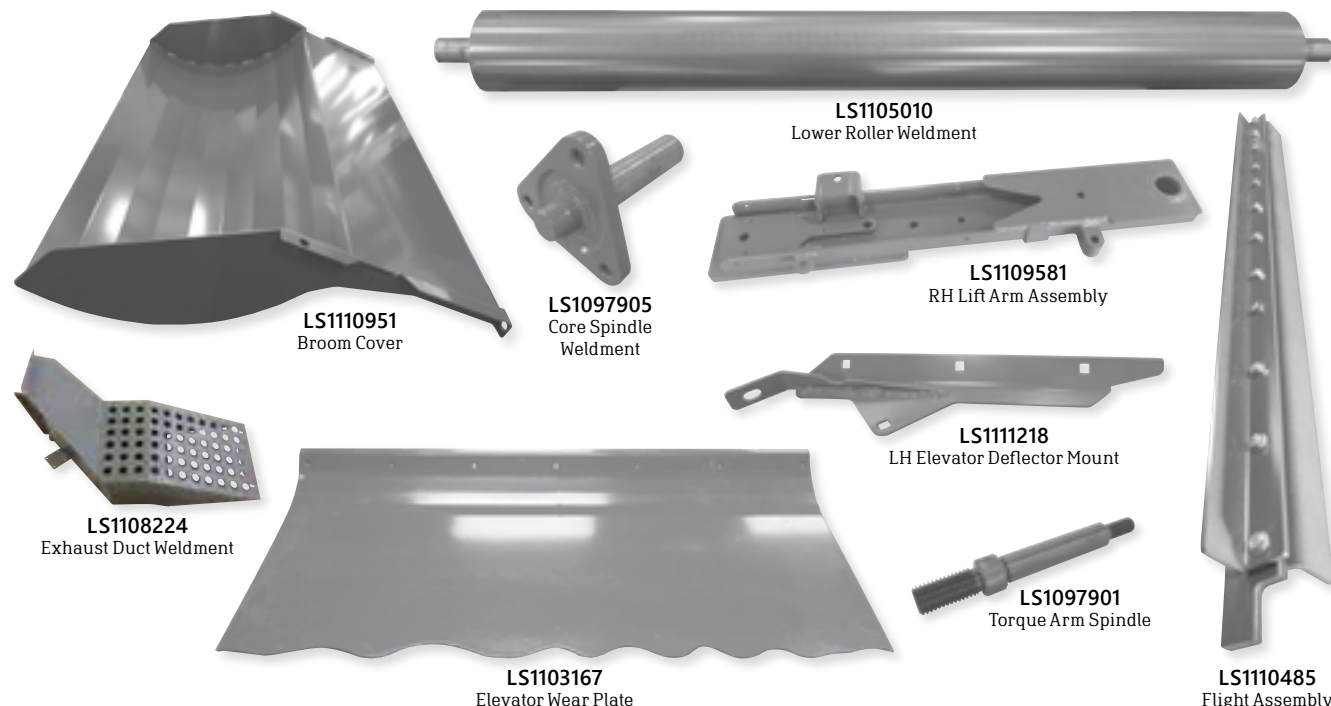
ALL PARTS ARE GUARANTEED TO MEET WITH YOUR APPROVAL. Local Equipment, Inc. offers after-market parts for road and highway maintenance equipment. All original equipment manufacturer's names, drawings, colors and part numbers are used for identification purposes only. Local is in no way implying that any of our products are original equipment parts.

THESE ARE OUR MOST POPULAR REPLACEMENT PARTS • MANY MORE PARTS AVAILABLE – JUST ASK!

<b>ELGIN</b>		<b>ELGIN</b>	
LS1096880	LIFT PIN	LS1100882	SWING PIN STOP PLATE SPACER
LS1096881	LIFT BEAM SPINDLE PIN	LS1100884	LH CONE MOUNT STIFFENER PLATE
LS1097070	LIFT BEAM SPACER PLATE	LS1100885	RH CONE MOUNT STIFFENER PLATE
LS1097071	CONVEYOR LIFT BEAM ASSEMBLY	LS1100921	LH ENCLOSURE DOOR ASSEMBLY
LS1097134	QUICK RELEASE PIN	LS1101021	RH SIDE BROOM TILT WELDMENT
LS1097153	ROLLER	LS1101022	LH SIDE BROOM TILT WELDMENT
LS1097157	LOWER ELEVATOR SUPPORT PAD	LS1101027	CLEVIS PIN
LS1097386	GREASABLE DIRT SHOES KIT	LS1101041	CLEVIS PIN
LS1097410	LINEAR ACTUATOR	LS1101049	HOPPER SEAL SUPPORT BAR
LS1097724	TOWBAR LINK ASSEMBLY	LS1101075	SEAL CLAMP
LS1097726	MOTOR MOUNT ARM WELDMENT	LS1101131	SENSOR-INDUCTIVE N.O
LS1097727	M. BROOM MOTOR MOUNT ASSY.	LS1101348	BEACON MNT. & PIVOT BRKT. ASSY.
LS1097728	DIRT SHOE TOW PIN	LS1101599	SEALED MOTOR WATER PUMP, 2-SPD
LS1097732	LH DIRT SHOE WELDMENT	LS1101773	FAN
LS1097784	WELDMENT TANK CRADLE H	LS1101787	SQUARE DRIVE ROLLER
LS1097882	TORQUE ARM SPACER	LS1102316	LOWER ELEVATOR COVER
LS1097883	LH DIRT SHOE ASSEMBLY	LS1102418	ELEVATOR LIFT WELDMENT
LS1097885	RH DIRT SHOE WELDMENT	LS1102488	CENTER BOARD ASSEMBLY
LS1097886	RH DIRT SHOE ASSEMBLY	LS1102511	TOW BAR MOUNT
LS1097896	RH LIFT BROOM ARM	LS1102535	ELEVATOR ASSEMBLY
LS1097900	LH LIFT ARM, HYD. SUSPENSION	LS1102626	LOWER ELEVATOR SUPPORT ASSY.
LS1097901	TORQUE ARM SPINDLE	LS1102644	COVER SEAL SHEET
LS1097902	LH BROOM ARM ASSEMBLY	LS1102645	RH SEAL CLAMP
LS1097903	M.B. BEARING MOUNTING PLATE	LS1102646	LH SEAL CLAMP
LS1097905	CORE SPINDLE WELDMENT	LS1102710	CONVEYOR MOTOR MOUNT
LS1097985	SIDE SUPPORT WELDMENT	LS1102720	N.C. SPRING LEVER SWITCH ASSY.
LS1097990	RH BULKHEAD PLATE	LS1102758	BEACON SUPPORT
LS1098047	REAR COVER SUPPORT	LS1102792	HEAD SHAFT TAKE UP SEAL
LS1098051	MAIN BROOM REAR COVER WELD.	LS1102793	TAKE UP INSIDE DEBRIS SHIELD
LS1098053	REAR RUBBER COVER	LS1102794	BEARING DEBRIS SHIELD
LS1098168	RH CONVEYOR TAKE UP WELDMENT	LS1102796	SPACER
LS1098302	UPPER FAN HOUSING WELDMENT	LS1102803	STEERING CYLINDER
LS1098414	ACCUMULATOR	LS1102837	FLANGE WASHER
LS1098417	LH TAKE-UP WELDMENT	LS1102838	END RETAINER PLATE
LS1098422	LH TAKE-UP GUIDE	LS1102876	GUTTER BROOM PLATE
LS1098903	AIR TANK	LS1102877	GUTTER BROOM HUB WELDMENT
LS1098911	HYDRAULIC CYLINDER	LS1103033	SWITCH-N.O., 2750 PSI PRESSURE
LS1099058	HYDRAULIC FILTER ASSEMBLY	LS1103165	ELEVATOR FRAME WELDMENT
LS1099059A30	FILTER GASKET	LS1103167	ELEVATOR WEAR PLATE
LS1099061	HYDRAULIC FILTER	LS1103171	CLAMPING PLATE
LS1099325	DIRT DEFLECTOR SIDE FLAP	LS1103173	MIDDLE WEAR PLATE
LS1099335	ELEVATOR DIRT DEFLECTOR KIT	LS1103176	UPPER WEAR PLATE
LS1099338	LOWER CLAMP CHANNEL WELD.	LS1103188	UPPER ELEVATOR SHAFT
LS1099349	COVER CLAMP PLATE	LS1103374	LH BULKHEAD PLATE
LS1099350	FRAME / FUEL TANK COVER	LS1103375	HYDRAULIC TANK
LS1099597	HOPPER CHUTE, 5.4 YARD	LS1103569	GUTTER BROOM LINK
LS1099827	CNG CHAIN BRACKET	LS1103606	RH SIDE SKIRT
LS1099898	UNIVERSAL SANDWICH MOUNT	LS1103608	HYDRAULIC MOTOR, 12.0 CU IN/REV
LS1099911	TURN SIGNAL KIT	LS1103632	HOPPER DOOR
LS1100274	RH TRANS EYE BRACKET	LS1103634	ROCKER SWTICH, ON-ON NO LED
LS1100409	LH GUTTER BROOM PIVOT WELD.	LS1103906	RH LOWER STOP PANEL WELDMENT
LS1100410	RH GUTTER BROOM PIVOT WELD.	LS1103907	LH LOWER STOP PANEL WELDMENT
LS1100604	LH TRANS EYE BRACKET	LS1103914	LATCH
LS1100695	RH DOOR HINGE SUPPORT	LS1104120	MALE TO FEMALE ADAPTER
LS1100742	WATER LEVEL SENDER	LS1104167	COVER CLAMP PLATE
LS1100855	RETROFIT KIT W/ WATER PUMP	LS1104197	MAIN BROOM CHAIN, 14 LINKS
LS1100857	WATER PUMP W/ WIRE FITTINGS	LS1104264	CONSOLE LAMP
LS1100881	SWING PIN STOP PLATE		

<b>ELGIN</b>	
LS1104779	REAR CENTER BOARD CHAIN, 88 LINKS
LS1105010	LOWER ROLLER WELDMENT
LS1105013	ELBOW
LS1105014	FITTING, .25 NPTF FEMALE TO PI
LS1105162	SIDE BROOM HUB
LS1105207	BEARING
LS1105630	ROLLER SCRAPER
LS1105631	BELT SCRAPER
LS1105632	SCRAPER BAR PLATE
LS1105644	SEAL CONVEYOR HOUSING TOP
LS1105668	BELT SCRAPER
LS1105764	ADJUSTER SCREW
LS1105827	CONVEYOR UPPER FLOOR
LS1105830	RH ENCLOSURE WELDMENT
LS1105848	ACTUATOR E050D W/BRKT. & POT
LS1106114	UPPER SUPPORT BRACKET
LS1106119	PUMP/PTO DRIVE SHAFT
LS1106122	RH HOPPER DOOR LATCH WELD.
LS1106123	LH HOPPER DOOR LATCH WELD.
LS1106158	90-DEG. ELBOW
LS1106159	PUSH PULL UNION, 3/8 O.D., FEMALE
LS1106164	BELT SPLICE PLATE
LS1106164KT	SPLICE KIT, 53"
LS1106309	Y-CONNECTOR
LS1106425	DR COUPLING BUSHING
LS1106544	DRIVE SHAFT-PTO/PUMP
LS1107555	RH HEADLIGHT
LS1107556	LH HEADLIGHT
LS1107568	CONVEYOR DEFLECTOR CLAMP
LS1107570	LH CONV. DEBRIS CHUTE PLATE
LS1107571	RH CONVEYOR DEBRIS CHUTE
LS1107572	LH LOWER DEFLECTOR BRACKET
LS1107573	RH LOWER DEFLECTOR BRACKET
LS1107575	LOWER CONVEYOR WELDMENT
LS1107788	LH DIRT SHOE WELDMENT
LS1107789	RH DIRT SHOE WELDMENT
LS1107794	DIRT SHOE TOW SPINDLE
LS1107798	SPACER
LS1107811	CONVEYOR REAR SKIRT
LS1107818	INNER CONVEYOR SKIRT PLATE
LS1107819	CONVEYOR BELT SIDE SKIRT
LS1107821	INNER CONV. SKIRT CLAMP WELD.
LS1107823	BEARING SHIELD
LS1107825	UPPER CLAMP
LS1107826	SIDE SHOE CLAMP
LS1107832	SIDE SKIRT CLAMP WELDMENT
LS1107833	CONVEYOR FRONT SKIRT
LS1107837	CONV. FRONT SKIRT CLAMP PLATE
LS1107838	CONV. SIDE SKIRT CLAMP PLATE
LS1107877	UPPER CONVEYOR COVER WELD.
LS1108043	WIDE REACH FRONT SPRAY BAR FIELD SERVICE KIT
LS1108044	FRONT SPRAY BAR WELDMENT
LS1108140	CONVEYOR CENTER BOARD
LS1108141	ANGLE
LS1108143	CURTAIN
LS1108180	M.B. CONVEYOR DIRT DEFLECTOR

THESE ARE OUR MOST POPULAR REPLACEMENT PARTS • MANY MORE PARTS AVAILABLE – JUST ASK!



<b>ELGIN</b>	
LS1108194	CONVEYOR COVER HOLDER PLATE
LS1108224	EXHAUST DUCT WELDMENT
LS1108377	RUBBER FLAP GUIDE
LS1108862	MAIN BROOM SPRAY GUIDE WELD.
LS1108865	M.B. SPRAY HANGER BRACKET
LS1108866	MAIN BROOM SPRAY BAR
LS1108893	RADIATOR/COOLER ASSEMBLY
LS1109243	POWER TAKE OFF PULLEY
LS1109494	BEARING
LS1109506	SUSPENSION PIVOT PIN
LS1109509	LIFT CYLINDER LINK
LS1109514	LINK PIN KEEPER PLATE
LS1109515	LIFT CYLINDER LINK PIN
LS1109527	HOSE BASKET MOUNT
LS1109531	RH SIDE BROOM PIVOT ASSEMBLY
LS1109532	LH SIDE BROOM PIVOT
LS1109535	RH REAR COVER PVT BRACKET
LS1109536	LH REAR COVER PVT BRACKET
LS1109540	DIRT SHOE SPRING
LS1109554	LH REAR COVER PIVOT MOUNT
LS1109562	RH REAR COVER PIVOT MOUNT
LS1109568	LH SUSPENSION ANCHOR
LS1109570	RH SUSPENSION ANCHOR
LS1109571	LH SUSPENSION LIFT EAR PLATE
LS1109572	RH SUSPENSION LIFT EAR PLATE
LS1109575	LH PIVOT ASSEMBLY
LS1109576	RH PIVOT ASSEMBLY
LS1109578	LH MAIN BROOM LIFT ARM ASSEMBLY, SPRING SUSPENSION
LS1109581	RH LIFT ARM ASSEMBLY
LS1109583	LH LIFT ARM, SPRING SUSPENSION
LS1109585	LEVER AND LATCH

<b>ELGIN</b>	
LS1109590	SUSPENSION SPRING EYELET
LS1109616	LH SCRAPER MOUNT
LS1109617	RH SCRAPER MOUNT
LS1109622	HD LOWER ROLLER WELDMENT
LS1110079	CHAIN
LS1110303	PIN LOCK PLATE
LS1110426	TOOL BOX
LS1110485	FLIGHT ASSEMBLY
LS1110485ASSY	FLIGHT ASSEMBLY W/CHAINS
LS1110486	RUBBER FLIGHT SQUEEGEE
LS1110486U	POLYURETHANE SQUEEGEE
LS1110498	RH TAKE-UP SEAL CLAMP
LS1110499	LH TAKE-UP SEAL CLAMP
LS1110513	FLIGHT ANGLE CLAMP
LS1110619	CHAIN COVER
LS1110722	CONVEYOR SKIRT/CURTAIN ASSY.
LS1110744	DEFLECTOR
LS1110853	CYLINDER PIN
LS1110890	UPPER SEAL
LS1110951	BROOM COVER
LS1110957	LOWER DEFLECTOR CLAMP PLATE
LS1110976	SIDE PANEL CONE MOUNT ANGLE
LS1110980	LOWER LATCH BEAM PANEL
LS1110989	RH COVER MOUNT
LS1110990	LH COVER MOUNT
LS1111054	REAR FENDER MOUNT CHANNEL
LS1111057	LOWER ELEVATOR SUPPORT
LS1111109	RUBBER FLAP GUIDE
LS1111112	RH DIRT SHOE WELDMENT
LS1111113	LH DIRT SHOE WELDMENT
LS1111114	RH DIRT SHOE ASSEMBLY
LS111114WOS	RH DIRT SHOE ASSY. W/O SHOE

<b>ELGIN</b>	
LS1111115	LH DIRT SHOE ASSEMBLY
LS111115WOS	LH DIRT SHOE ASSY. W/O SHOE
LS1111147	LINK PIN KEEPER
LS1111215	LOWER ELEVATOR DEFLECTOR
LS1111216	LOWER DEFLECTOR CLAMP BRKT.
LS1111217	LOWER DEFLECTOR CLAMP BRKT.
LS1111218	LH ELEVATOR DEFLECTOR MOUNT
LS1111219	RH ELEVATOR DEFLECTOR MOUNT
LS1111242	UPPER ELEVATOR COVER
LS1111302	SIDE SUPPORT WELDMENT
LS1111305	TOWBAR PIVOT PIN
LS1111306	TOW PIN KEEPER PLATE
LS1111460	WAFER CORE, 60"
LS1111538	LOWER ELEVATOR RUBBER SEAL
LS1111539	SEAL CLAMP
LS1111552	ELEVATOR LOWER DEFLECTORS
LS1111851	CHANNEL MOTOR PIVOT WELDMENT
LS1111856	SIDE BROOM LINK NU PIN
LS1112509	CAB STEP WELDMENT
LS1112535	CONVEYOR RETENTION KIT
LS1112537	CONVEYOR RETENTION PLATE
LS1112555	PUSH NUT, 5/16
LS1113604	SWING STOP PIN MOUNT PLATE
LS1113605	SWING STOP ARM PLATE
LS1113689	LH SCISSOR MOUNT
LS1113704	S. BROOM SWING PIN STOP WELD.
LS1114416	CIRCUIT BREAKER, 10AMP MAN
LS1114617	MOMENTARY SWITCH
LS1114692	FUEL TANK, 50 GAL
LS1115602	PRESSURE SLOT CURTAIN ANGLE
LS1115789	BROOM SUSPENSION PIVOT PIN
LS1116199	DRIVE COUPLING

START SAVING TODAY! CONTACT LACAL BY PHONE 800-543-6161 or EMAIL SALES@LACAL.COM

ALL PARTS ARE GUARANTEED TO MEET WITH YOUR APPROVAL. Lcal Equipment, Inc. offers after-market parts for road and highway maintenance equipment. All original equipment manufacturer's names, drawings, colors and part numbers are used for identification purposes only. Lcal is in no way implying that any of our products are original equipment parts.

START SAVING TODAY! CONTACT LACAL BY PHONE 800-543-6161 or EMAIL SALES@LACAL.COM

ALL PARTS ARE GUARANTEED TO MEET WITH YOUR APPROVAL. Lcal Equipment, Inc. offers after-market parts for road and highway maintenance equipment. All original equipment manufacturer's names, drawings, colors and part numbers are used for identification purposes only. Lcal is in no way implying that any of our products are original equipment parts.





THESE ARE OUR MOST POPULAR REPLACEMENT PARTS • MANY MORE PARTS AVAILABLE – JUST ASK!

**ELGIN**

LS5710621U	POLY SQUEEGEE
LS5710635	BRONZE SLEEVE BEARING
LS5710662	BROOM STRUT PIN
LS5710670	BROOM LIFT CYLINDER
LS5710673	ELEVATOR REAR CYLINDER
LS5710690	REAR COMPARTMENT WELDMENT
LS5710711	HYDRAULIC FILTER ELEMENT
LS5710713	FLUID LEVEL, 5" CENT. W/THERM
LS5710716	RH BOTTOM HINGE
LS5710717	RH TOP HINGE
LS5710720	LH REAR COMPARTMENT DOOR
LS5710721	RH REAR COMPARTMENT DOOR
LS5710736	BROOM COVER HINGE
LS5710737	MAIN BROOM TOP COVER
LS5710738	MAIN BROOM LOWER COVER
LS5710741	RH COVER
LS5710742	LH COVER
LS5710749	MAIN BROOM DRIVE CHAIN COVER
LS5710759	HOPPER DOOR HINGE PIN
LS5710770	GASKET
LS5710771	SEAL RETAINER
LS5710772	SEAL RETAINER
LS5710773	HOPPER SEAL
LS5710774	HOPPER SEAL
LS5710818	MAIN BROOM & CORE KIT
LS5710819	REAR BROOM SPACER
LS5710820	REAR BROOM SPACER
LS5710821	REAR BROOM SPACER
LS5710839	REAR BROOM SUSPENSION SPRING
LS5710845	REAR BROOM SPRING EYELET
LS5710981	MAIN BROOM LIFT SHAFT
LS5710990	REAR BROOM LIFT LEVER BEARING
LS5710995	LH MAIN BROOM PIVOT WELDMENT
LS5711005	SLEEVE BEARING
LS5711006	RH LIFT LEVER
LS5711007	LH LIFT LEVER
LS5711027	BUTTON HEAD COUPLER
LS5711034	LH BOTTOM HINGE
LS5711035	LH TOP HINGE
LS5711038	DIRT SHOE CABLE SHEAVE
LS5711043	DIRT SHOE LIFT CYLINDER
LS5711046	DRAG SHOE CROSS SHAFT
LS5711047	BROOM LIFT PIVOT WELDMENT
LS5711052	LH DRAG SHOE PIVOT
LS5711053	RH DRAG SHOE PIVOT
LS5711064	CABLE CLAMP
LS5711067	ELEVATOR DRIVE CHAIN
LS5711068	MAIN BROOM DRIVE CHAIN
LS5711078	SPACER
LS5711083	AIR PRESSURE REGULATOR
LS5711084	AIR PRESSURE GAUGE
LS5711142	ROCKER SWITCH, OFF-ON, 12V
LS5711143	ROCKER SWITCH
LS5711144	ROCKER SWITCH
LS5711145	ROCKER SWITCH
LS5711162	REAR BROOM COVER ASSEMBLY
LS5711163	WASHER
LS5711168	CIRCUIT BREAKER, 15 AMP

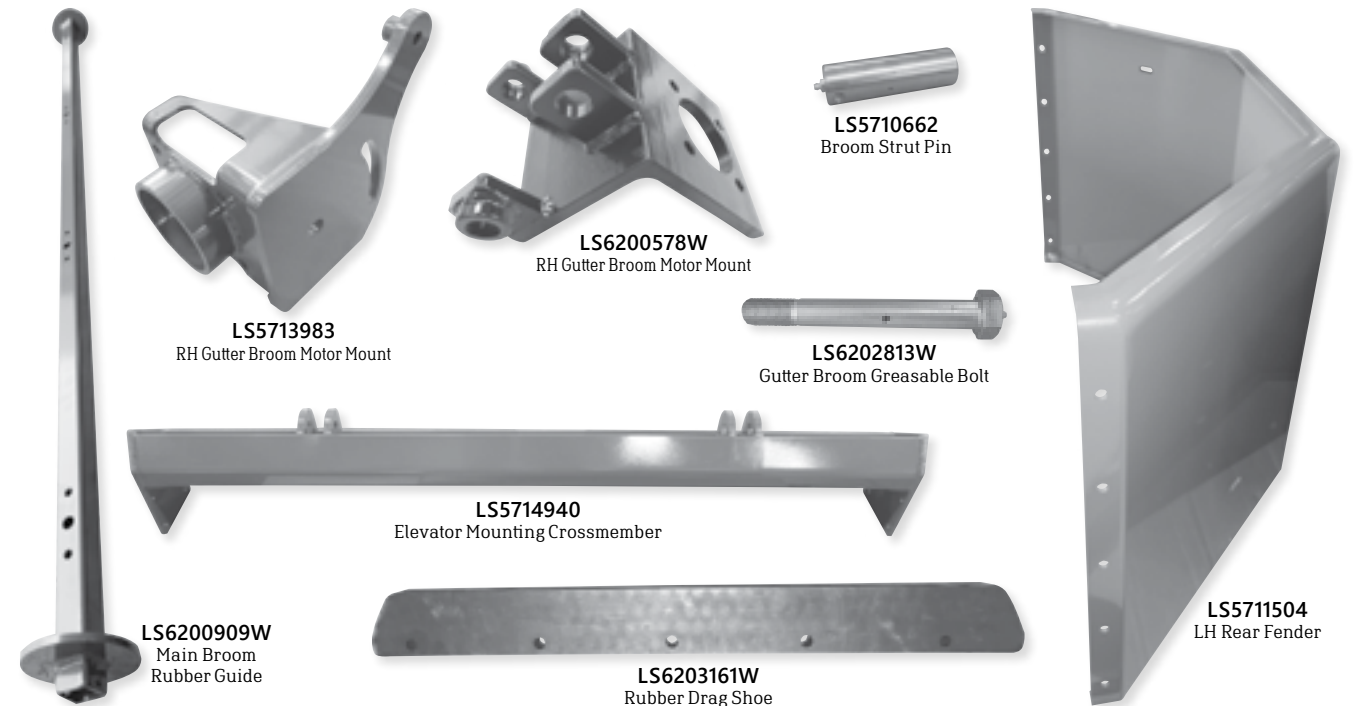
**ELGIN**

LS5711176	HOPPER PIVOT PIN
LS5711177	RUBBER PLUG
LS5711189	VARIABLE PUMP
LS5711209	SPRAY NOZZLE TIP
LS5711244	DRAG SHOE SEAL
LS5711245	ELEVATOR CURTAIN
LS5711270	UPPER HOPPER DOOR (EARLY)
LS5711330	CABLE RETAINER
LS5711434	LH SIDE DOOR STOP
LS5711435	RH SIDE DOOR STOP
LS5711445	RIGHT FRONT/LEFT REAR RETAINER PLATE
LS5711446	RIGHT REAR/LEFT FRONT RETAINER PLATE
LS5711455	FENDER BRACE
LS5711456	RH FRONT SPRAY BAR
LS5711457	LH-FL FRONT END SPRAY BAR
LS5711477	LOCKING COLLAR
LS5711503	RH REAR FENDER
LS5711504	LH REAR FENDER
LS5711522	BULKHEAD LOCK NUT, 3/4-16
LS5711523	LH ROD END SPHERICAL
LS5711524	RH ROD END SPHERICAL
LS5711525	GUTTER BROOM TIE ROD
LS5711528	ROCKER SWITCH, ON-OFF, 12V
LS5711543	DRAPE MOUNT
LS5711559	REGULATOR NUT
LS5711566	HYDRAULIC OIL LENS
LS5711576	ELEVATOR LINK CYLINDER
LS5711585	ROD END, SPHERICAL 3/4
LS5711604	DRAPE
LS5711606	ELEVATOR FLIGHT ASSEMBLY
LS5711608SP	FRAME TIE-DOWN, SPECIAL
LS5711672	SEAL ELEVATOR LIFT KIT
LS5711702	SEAL KIT
LS5711719	LH DOOR
LS5711723	CENTERBOARD & MOUNTING KIT
LS5711757	SEAL KIT
LS5711761	SEAL KIT
LS5711803	RH DOOR
LS5711858	MAIN BROOM LEAF CURTAIN
LS5711859	LEAF CURTAIN STIFFENER
LS5711860	LEAF CURTAIN RETAINER
LS5711862	SPRING CLIP
LS5711863	LEAF CURTAIN SIDE FLAP
LS5712001	RH MAIN BROOM PIVOT
LS5712002	LH BROOM STRUT PIVOT
LS5712014	ELEV. LIFT CYLINDER CLEVIS PIN
LS5712019	CLEVIS PIN
LS5712023	RH MAIN BROOM PIVOT WELDMENT
LS5712050	DRAG SHOE CABLE
LS5712069	REAR BROOM SPACER
LS5713213	DIVERter VALVE
LS5713214	SOLENOID VALVE
LS5713215	VALVE, 2/2 WAY SOLENOID
LS5713216	COIL, 12V DC
LS5713217	COIL, 12V DC
LS5713218	FLOW REGULATOR

**ELGIN**

LS5713219	CHECK VALVE
LS5713220	SHUTTLE VALVE
LS5713224	PISTON, PILOT
LS5713225	SEAL KIT FOR DIVERter VALVE
LS5713226	SEAL KIT
LS5713260	DIRT HOPPER
LS5713350	ELEV. BEARING MOUNTING PLATE
LS5713352R1	LH WATER TANK COVER
LS5713353R1	RH WATER TANK COVER
LS5713354	SEAL TENSION KIT
LS5713355	MIDDLE WATER TANK COVER
LS5713412	PROXIMITY SENSOR
LS5713455	PROXIMITY SENSOR
LS5713761	STD. ELEVATOR FRAME W/LINERS
LS5713761ASA	LH UPPER SIDE PANEL ASSEMBLY
LS5713761BSA	RH UPPER SIDE PANEL ASSEMBLY
LS5713761CL	LH LOWER SIDE PANEL
LS5713761CR	RH LOWER SIDE PANEL
LS5713761E	ANGLE CROSSMEMBER
LS5713761H	LOWER CROSSMEMBER
LS5713761ZE	CYLINDER MOUNT
LS5713981	GUTTER BROOM LINK
LS5713983	RH GUTTER BROOM MOTOR MOUNT
LS5713984	LH GUTTER BROOM MOTOR MOUNT
LS5714216	SWITCH
LS5714270	PLASTIC WATER TANK
LS5714464	WATER SYSTEM VALVE, 3 VALVES
LS5714465	QUAD WATER SYSTEM VALVE
LS5714581	RH GUTTER BROOM MOTOR PIVOT
LS5714582	LH GUTTER BROOM MOTOR PIVOT
LS5714601	LH SIDE BROOM PIVOT
LS5714602	RH SIDE BROOM PIVOT
LS5714606	SIDE BROOM LINK
LS5714717	RH SLIDE KEEPER
LS5714718	LH SLIDE KEEPER
LS5714734	RH TRAVEL LATCH
LS5714735	LH TRAVEL LATCH
LS5714917	SEAL RETAINER
LS5714940	ELEV. MOUNTING CROSSMEMBER
LS5714999	80 MESH WATER FILTER SCREEN
LS5715019	FRONT CURTAIN RETAINER
LS5715021	FRONT CURTAIN
LS5715022	REAR CURTAIN
LS5715023	MIDDLE CURTAIN
LS5715119	NEEDLE VALVE
LS5715227	RUBBER SEAL
LS5715361	TUBE WELDMENT
LS5715717	SUCTION HOSE WELDMENT
LS5715719	TOP DOOR, LEFT HAND SUCTION
LS5715726	SUCTION TUBE SEAL RING
LS5716826	MAIN BROOM SPACER
LS5716873	ELEVATOR CHAIN F-20 LINK
LS5716885	IGNITION SWITCH
LS5716930	O-RING
LS5716937	IMPELLER KEY SWITCH
LS5717187	OIL TEMP HYDRAULIC
LS5717188	OIL TEMP SWITCH
LS5717744	REAR CURTAIN

THESE ARE OUR MOST POPULAR REPLACEMENT PARTS • MANY MORE PARTS AVAILABLE – JUST ASK!



**ELGIN**

LS5717745	MIDDLE CURTAIN
LS5717754	PRESSURE SLOT ANGLE WELDMENT
LS5718624	SUCTION TUBE WELDMENT
LS5718737	IMPELLER SHAFT
LS5719334	RH SUCTION PICKUP HEAD WELD.
LS5719421	PICKUP HEAD
LS5719432	SUCTION TUBE WELDMENT
LS5719817	PRESSURE SLOT CURTAIN
LS5720272	SWITCH
LS6063344	MASTER CYLINDER
LS6063346	MASTER CYLINDER
LS6063360	POWER BRAKE ASSIST
LS6063649	YOKE
LS6183819	CUP BEARING
LS6200114W	G. BROOM MOTOR DRIVE WELD.
LS6200275W	CONVEYOR ROLLER SCRAPER
LS6200527W	CENTER DRAG SHOE HANGER
LS6200578W	RH GUTTER BROOM MOTOR MOUNT
LS6200579W	LH GUTTER BROOM MOTOR MOUNT
LS6200582W	ADJUSTMENT BOLT
LS6200616W	LH G. BROOM PIVOT MOUNT WELD.
LS6200617W	RH G. BROOM PIVOT MOUNT WELD.
LS6200636W	DRAG SHOE LIFT ARM STRAP
LS6200684W	ELEV. BEARING MOUNTING BRKT.
LS6200686W	ELEV. MOTOR MOUNTING BRKT.
LS6200693W	MAIN BROOM HUB
LS6200733W	RH GUTTER BROOM BASE WELD.
LS6200735W	LH GUTTER BROOM BASE WELD.
LS6200789W	G. BROOM PIVOT WASHER WELD.
LS6200810W	CONVEYOR FRAME W/LINERS
LS6200810WD	SHAFT
LS6200810WE	ROUND RETAINER

**ELGIN**

LS6200810WH	GUSSET
LS6200810WPL	LH CYLINDER ATTACHMENT
LS6200810WPR	RH CYLINDER ATTACHMENT
LS6200831W	RH MAIN BROOM GUARD ASSY.
LS6200832W	LH MAIN BROOM GUARD ASSY.
LS6200833W	CONVEYOR IDLER ROLLER
LS6200852W	LOWER DOOR HINGE PIN WELD.
LS6200853W	CYLINDER WELDMENT PIN
LS6200854W	HOPPER PIVOT PIN WELDMENT
LS6200899W	CONVEYOR ROLLER WELDMENT
LS6200908W	MAIN BROOM GUARD PIN
LS6200909W	MAIN BROOM RUBBER GUIDE
LS6200937W	CONVEYOR DRIVE TOOTH
LS6200961W	M. BROOM GUARD RUBBER STRAP
LS6200981W	CENTER HANGER DRAG STRAP
LS6200984W	ELEVATOR SIDE SEAL STRAP
LS6200986W	DIRT SHOE CLAMP PLATE
LS6201041WR1	BOTTOM RUBBER RETAINER
LS6201586W	ELEVATOR COVER
LS6201915W	CONVEYOR HEIGHT ROLLER
LS6202062W	ELEVATOR BEARING IDLER COVER
LS6202168W	LOWER CONVEYOR LINER PLATE
LS6202170W	UPPER CONVEYOR LINER PLATE
LS6202339W	GUTTER BROOM SPRAY BAR TUBE
LS6202813W	GUTTER BROOM GREASABLE BOLT
LS6202814W	GUTTER BROOM GREASABLE BOLT
LS6202815W	GUTTER BROOM BASE BOLT
LS6203039W	4-BOLT FLANGE BEARING
LS6203135W	BI-METAL BUSHING
LS6203147W	PIVOT BUSHING
LS6203161W	RUBBER DRAG SHOE
LS6203195W	SQUEEGEE

**ELGIN**

LS6203203W	CONVEYOR SKIRT BOARD RUBBER
LS6203235W	CONVEYOR TRAY BOTTOM RUBBER
LS6203271W	POLY CENTER DRAG STRIP
LS6203462W	DEFLECTOR RUBBER
LS6203471W	CONVEYOR RUBBER SEAL
LS6203819	HYDRAULIC BREATHER FILTER
LS6204056W	INDUCTIVE PROXIMITY SENSOR
LS6204095W	SPLIT TAPER BUSHING
LS6204098W	ELEVATOR SHAFT COUPLING
LS6204659W	CAP/SEAT-QUICK UNIJET
LS6204660W	SPRAY NOZZLE TIP
LS6204982W	WATER PUMP
LS6205100W	HYDRAULIC GEAR PUMP, CW
LS6205189W	HOPPER/ELEVATOR SEAL
LS6205222W	GUTTER BROOM PIVOT SPRING
LS6205473W	HYDRAULIC LEVEL SENDER
LS6205482W	ROCKER SWITCH, ILLUM ON/OFF
LS6205483W	ROCKER SWITCH, ILLUM M.ON/OFF
LS6205484W	ROCKER SWITCH, ILLUM M. ON/OFF
LS6205527W	RELAY
LS6205706W	HYDRAULIC RELIEF VALVE
LS6205764W	FAN-PUSHER TYPE-NYLON
LS6205952W	PRESS CONTROL CARTRIDGE
LS6206229W	SLIDER BLOCK END CAP
LS6206230W	SCISSOR SLIDE
LS6206231W	SLIDER BLOCK
LS6206317W	HOPPER DOOR PIN WELDMENT
LS6206323W	HOPPER SUPPORT PIVOT PIN
LS6206631W	ELEVATOR ROLLER KEEPER
LS6206634W	BROOM ARM BUSHING

START SAVING TODAY! CONTACT LACAL BY PHONE 800-543-6161 or EMAIL SALES@LACAL.COM

ALL PARTS ARE GUARANTEED TO MEET WITH YOUR APPROVAL. Local Equipment, Inc. offers after-market parts for road and highway maintenance equipment. All original equipment manufacturer's names, drawings, colors and part numbers are used for identification purposes only. Local is in no way implying that any of our products are original equipment parts.

START SAVING TODAY! CONTACT LACAL BY PHONE 800-543-6161 or EMAIL SALES@LACAL.COM

ALL PARTS ARE GUARANTEED TO MEET WITH YOUR APPROVAL. Local Equipment, Inc. offers after-market parts for road and highway maintenance equipment. All original equipment manufacturer's names, drawings, colors and part numbers are used for identification purposes only. Local is in no way implying that any of our products are original equipment parts.

THESE ARE OUR MOST POPULAR REPLACEMENT PARTS • MANY MORE PARTS AVAILABLE – JUST ASK!

**ELGIN**

LS6206692W	CONVEYOR BELT
LS6206739W	RH DRAG ARM
LS6206740W	LH DRAG ARM
LS6206741W	RH MAIN BROOM ARM
LS6206753W	WELDMENT SHAFT CONVEYOR
LS6206763W	ELEVATOR CYLINDER PIN
LS6206790W	MAIN BROOM GUARD RETAINER
LS6206793	RUBBER DR. SHOE REINFORCEMENT
LS6206804W	RH SIDE SHOE STOP
LS6206805W	LH SIDE SHOE STOP
LS6206806W	RUBBER FLEX ARM
LS6206813W	MAIN BROOM GUARD, CURB SIDE
LS6206814W	M. BROOM GUARD, STREET SIDE
LS6206815W	DR CARBIDE RUNNER, 54"
LS6206815WSP	DR CARBIDE RUNNER, SHORT TAIL
LS6206818W	S. ROW CARBIDE RUNNER
LS6206821W	LH MAIN BROOM ARM
LS6206825W	MAIN BROOM ARM PIN
LS6207030W	GUTTER BROOM PIVOT BOLT
LS6207032W	SCISSOR PIN WELDMENT
LS6207033W	DRAG SHOE CABLE
LS6207040W	UNI-CLAMP NOZZLE
LS6207043W	RUBBER MOUNT TINES
LS6207053W	PUSH BUTTON SWITCH, RED
LS6207091W	MAIN BROOM HUB SPACER, 3 HOLE
LS6207092W	MAIN BROOM HUB, 3 HOLE
LS6207094W	LOCKING PIN
LS6207121W	HOPPER GATE
LS6207134W	CORE W/STUBS & HUB
LS6207148W	HOPPER PIVOT PIN
LS6207207W	CHAIN W/SQUEEGEE MOUNTS
LS6207273W	START ILLUM BUTTON, GREEN
LS6207526W	SCISSOR CYLINDER SHAFT
LS6207702W	LH SIDE BROOM LIFT LINK
LS6207707W	RH SIDE BROOM LIFT LINK
LS6207746	WATER CONTROL PANEL
LS6207801W	MAIN BROOM ARM
LS6207837W	ELEVATOR HYDRAULIC CYLINDER
LS6207838W	REAR BROOM LIFT CYLINDER
LS6207839W	HYDRAULIC CYLINDER, 1.50 x 6.00
LS6207840W	HYD. CYLINDER ASSY., 1.50 x 4.00
LS6207962W	COMPRESSION WASHER
LS6208035W	STUB SHAFT
LS630000190	PIRANHA BRUSH SECTION
LS7070003	3 SPEED ROTARY SWITCH
LS7070010	PAPER FILTER
LS7070059	SWITCH HEX NUT
LS7072906	PRIMARY ELEMENT
LS7072907	SAFETY ELEMENT
LS7072916	PRIMARY ELEMENT
LS7072938	INNER SAFETY ELEMENT
LS7073549	LH WHEEL NUT
LS7073986	BEARING INNER RACE
LS7075154	DRAIN PLUG
LS7075754	AUTOMATIC DUST UNLOADER
LS7075782	ELEMENT
LS7076063	D-GREASE ADAPTER
LS7076230	OIL COOLER FAN

**ELGIN**

LS7076232	OIL COOLER SHROUD
LS7077505	INNER BEARING CONE
LS7077506	WHEEL STUD
LS7077508	HUB CAP
LS7077509	GREASE SEAL
LS7078463	CASTER WHEEL
LS7078464	CASTER FORK FOR 1060596
LS7078465	RUBBER CASTER WHEEL
LS7078477	AXLE W/ GREASE FITTING
LS7078480	AXLE - 3/4-10
LS7078484	WHEEL W/BEARING, 8 x 3
LS7078851	RUBBER COUPLER
LS7171209	CROSS ARM BEARING KIT
LS7171722	SOLENOID VALVE
LS7171723	12 VOLT COIL
LS7171747	SOLENOID VALVE
LS7171781	SOLENOID VALVE
LS7172107	COVER SEAL
LS7172109	FLANGE SEAL
LS7172127	GASKET

## STREET SWEEPER REBUILDING

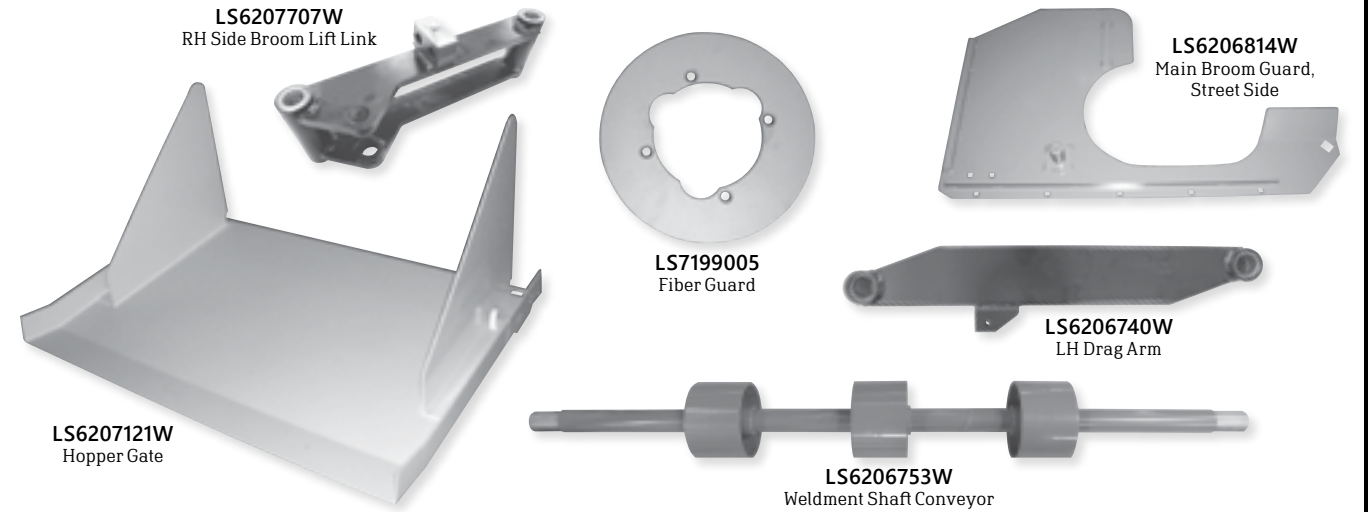
See pages 18-19 to see our rebuild capabilities, then call **800.543.6161** for more info on what we can do for you.

LS7172317	BLOWER WHEEL, CW
LS7172355	A/C FILTER
LS7172561A	TURN SIGNAL SWITCH
LS7172942	SOLENOID
LS7172960	GASKET KIT
LS7173201	REAR SUSP. AIR BAG, 2 BOLT
LS7173265	RH LEVELING VALVE
LS7173428	RAIL CHAIN, 57"
LS7173439	CARRIAGE CHAIN, 53-1/2
LS7173549	STARTER MOTOR
LS7175412	A/C SWITCH, ON-OFF
LS7175415	BLOWER MOTOR
LS7175435	RECEIVER DRYER
LS7175557	LH BRAKE SHOE KIT
LS7175558	RH BRAKE SHOE KIT
LS7175560	CYLINDER REPAIR KIT
LS7175618	PLANETARY ASSEMBLY PIN
LS7175660	PARKING BRAKE REPAIR KIT
LS7175717	BRAKE KIT
LS7175805	CALIPER HOSE KIT
LS7175806	CALIPER STARTER KIT

**ELGIN**

LS7175807	CALIPER SEAL KIT
LS7175809	CALIPER PISTON KIT
LS7175810	LH CALIPER KIT
LS7175811	RH CALIPER KIT
LS7175842	WHEEL STUD
LS7175863	CONNECTOR HOSE
LS7175871	ROTOR, SERVICE BRAKE
LS7175876	OIL SEAL
LS7175950	WATER FILTER O-RING SEAL
LS7176405	BRASS LINKAGE BRACKET
LS7176585	FUEL CAP
LS7179958	SERPENTINE BELT
LS7199004	SHAFT SCREW W/LOCK WASHER
LS7199005	FIBER GUARD
LS7270524SPD	WIPER & ARM BLADE
LS7270617	SOLENOID VALVE
LS7270618	12 VOLT COIL
LS7270648	12 VOLT COIL
LS7270674	COIL
LS7270740	SEAL REPAIR KIT
LS7271305	GASKET, BUNA N
LS7271309	MECHANICAL SEAL, .625"
LS7271310	SEAL SPACER
LS7271317	SEAL
LS7271318	MECHANICAL SEAL
LS7271319	OUTBOARD BALL BEARING
LS7271320	INBOARD BEARING
LS7271326	PUMP BASE WELDMENT
LS7271405	IMPELLER
LS7271408	O RING
LS7271409	O RING, 5-PACK
LS7271416	DIFFUSER & VENTURI TUBE
LS7272512	SEAL KIT
LS7272538	SHAFT SUB-ASSEMBLY
LS7273301	SHAFT SEAL
LS7273308	OIL SEAL
LS7273309	O RING
LS7273310	SPHERICAL BEARING
LS7273320	GASKET
LS7273322	FUSIBLE PLUG
LS7273323	O-RING
LS7273325	SEAL REPAIR KIT
LS7273840	DRIVE KEY
LS7274020	OPERATOR VALVE ASSEMBLY
LS7274030	SOLENOID VALVE CARTRIDGE
LS7274096	SOLENOID VALVE CARTRIDGE
LS7274118	OUTER BEARING
LS7274138	INNER SEAL
LS7274192	12 VOLT COIL, W/ CONN
LS7274194	RELIEF VALVE CARTRIDGE
LS7274195	SOLENOID VALVE 2 POS/3 WAY
LS7274196	RELIEF VALVE CARTRIDGE
LS7274197	SOLENOID VALVE
LS7274198	10 VOLT COIL W/CONNECTOR
LS7274210	SEAL REPAIR KIT
LS7274259	RELIEF VALVE CARTRIDGE
LS7274313	HYDRAULIC MANIFOLD
LS7274374	SEAL KIT

THESE ARE OUR MOST POPULAR REPLACEMENT PARTS • MANY MORE PARTS AVAILABLE – JUST ASK!



**ELGIN**

LS7274428	SEAL REPAIR KIT
LS7274429	SEAL REPAIR KIT
LS7274460	12V COIL
LS7274464	SEAL KIT
LS7274497	SOLENOID VALVE ASSEMBLY
LS7274498	SOLENOID VALVE ASSEMBLY
LS7274530	O-RING SEAL
LS7274537	GASKET
LS7274545	STACK VALVE SECTION SGL
LS7274554	STACK VALVE, 1/4" PORTS
LS7275010	12V COIL
LS7275114	SINGLE WATER VALVE
LS7275115	SEAL KIT
LS7275587	RADIATOR CORE
LS7276014	PACKING KIT
LS7276110	SEAL KIT
LS7276128	SEAL KIT
LS7276164	PISTON ROD
LS7276178	HYD. CYLINDER PACKING KIT
LS7278299	REAR ENGINE BREATHER COVER
LS7279014	BELT TENSIONER PULLEY
LS7279134	FUEL FILTER
LS7279178	SEALING WASHER
LS7279183	THERMOSTAT
LS7370526	CONDENSER COIL
LS7372350	LH DOOR GLASS PANEL
LS7372360	LH GLASS DOOR BULB SEAL
LS7372364	DOOR HANDLE
LS7372369	RH DOOR SEAL
LS7372370	RH DOOR GLASS PANEL
LS7372410	LH WIPER MOTOR ASSY.
LS7372417	WIPER ARM
LS7372418	WIPER BLADE, 24"
LS7372419	BUSHING
LS7374005	CYLINDER SEAL KIT
LS7374007	SEAL REPAIR KIT
LS7374009	CYLINDER SEAL KIT
LS7374013	SOLENOID VALVE - NO
LS7374014	RELIEF VALVE - 2850 PSI

**ELGIN**

LS7374016	COMPENSATOR VALVE
LS7374017	SOLENOID VALVE - NC
LS7374020	SOLENOID VALVE
LS7374022	SOLENOID VALVE
LS7374041	12 VOLT COIL
LS7374078	PRESSURE SWITCH, 40 PSI
LS7374082	FILTER SEAL KIT
LS7374091	RELIEF VALVE, 900 PSI
LS7374092	SOLENOID VALVE
LS7374102	BUSHING
LS7374123	RELIEF VALVE, 3300 PSI
LS7374126	RELIEF VALVE
LS7374131	SOLENOID VALVE
LS7374138	SOLENOID VALVE, 3P4W
LS7374140	SOLENOID VALVE, NC
LS7374141	CHECK VALVE, P.O
LS7374142	FLOW REGULATOR VALVE 2.0
LS7374144	SOLENOID VALVE
LS7374155	SOLENOID VALVE, NC
LS7374164	2P3W SOLENOID VALVE, N.O
LS7374182	SOLENOID VALVE
LS7374184	SOLENOID VALVE -NC
LS7374389	SOLENOID VALVE
LS7374426	INPUT SHAFT SEAL
LS7670000	WATER PUMP W/O CLUTCH
LS7711545	3-PC. ELEVATOR DRAPE KIT
LS7870258VP	HEIGHT CONTROL KIT
LS787313790	CARBIDE DRAG SHOE DR MG
LS7873250	S.BROOM SEGMENT, 120/GAYLORD
LS7970102	MAIN BROOM UP/DN SWITCH
LS7970118	HEADLIGHT SWITCH
LS7970149	SWEEP SELECT SWITCH
LS7970153	HOPPER SIDE SHIFT SWITCH
LS7970163	CONV. SPROKET & CHAIN KIT
LS7970171	HYDRAULIC FILTER KIT
LS7970173	CHEVRON 2 CLT SPLICE KIT
LS7970174	2 CLEAT BELT SECTION
LS7970224	RH DIRT DEFLECTOR W/TOW BAR
LS7970225	LH LDIRT DEFL W/ TOW BAR

**ELGIN**

LS7970226	CONVEYOR MOTOR ASSEMBLY
LS7970233ASSY	BAH HEAD COMPLETE ASSEMBLY
LS7970240	UPPER CONVEYOR HANGER KIT
LS7970241	LOWER CONVEYOR HANGER KIT
LS7970317	M.B. COVER KIT W/LEAF CURTAIN
LS7970382	FUEL SENDER GASKET
LSAC3SP10	GREASE PUMP
LSAC3SP9	RESERVOIR
LSDZ110618	FUEL PUMP
LSEGA1	S.R. RUNNER W/PLATES
LSEGA19	DR SHOE
LSEGA4SNG	SR CARBIDE SKID SHOE, 39-1/2"
LSEL1	DIRT SHOE SET
LSEL2	DIRT SHOE & BAFFLE STRIP SET
LSEL3	DIRT SHOE SET
LSEL4	DIRT SHOE KIT
LSELCJPUH1	PICKUP HEAD ASSEMBLY
LSM1004446	SIDE CURTAIN
LSP615493	SECONDARY AIR FILTER
LSP617631	PRIMARY AIR FILTER
LSP804291	SHOCK ABSORBER
LSP89256NEW	SEAL KIT (NEW)
LSSWH441	HD SIDE BROOM CABLE, 44"
LSWH441	STD CABLE/WIRE COMBO, 44"
LS100005	LOWER LIFT ARM PIN

**FMC**

SEE JOHNSTON GLOBAL - PAGE 54

**WHERE'S THE PART THAT I NEED?**

**CALL 800.543.6161**

to access our expansive inventory of parts.

START SAVING TODAY! CONTACT LACAL BY PHONE 800-543-6161 or EMAIL SALES@LACAL.COM

ALL PARTS ARE GUARANTEED TO MEET WITH YOUR APPROVAL. Local Equipment, Inc. offers after-market parts for road and highway maintenance equipment. All original equipment manufacturer's names, drawings, colors and part numbers are used for identification purposes only. Local is in no way implying that any of our products are original equipment parts.

START SAVING TODAY! CONTACT LACAL BY PHONE 800-543-6161 or EMAIL SALES@LACAL.COM

ALL PARTS ARE GUARANTEED TO MEET WITH YOUR APPROVAL. Local Equipment, Inc. offers after-market parts for road and highway maintenance equipment. All original equipment manufacturer's names, drawings, colors and part numbers are used for identification purposes only. Local is in no way implying that any of our products are original equipment parts.

THESE ARE OUR MOST POPULAR REPLACEMENT PARTS • MANY MORE PARTS AVAILABLE – JUST ASK!

**JOHNSTON GLOBAL**

LB205	VANGUARD POLY TUBE BROOM
LB220	POLY TUBE BROOM
LB221	COMBO TUBE BROOM
LB224	COMBO TUBE BROOM X DRIVE
LB227	POLY TUBE BROOM "X" DR
LB30228	TUBE BROOM
LB31001	POLY GUTTER BROOM BLOCK
LB314M	STRIP BROOM MANDREL, 18 STRIP
LB37511	POLY TUBE BROOM PM10
LB413	VANGUARD C/S, 56.5" MANDREL
LB456	ALL PRO, VANGUARD, 13 STR, 56.5"
LB561	4-SEG. GUTTER BROOM
LB607	18" WOODBACK GUTTER BROOM
LB680	16" WOODBACK GUTTER BROOM
LB765	4-SEG. GUTTER BROOM, 21 WIRE PER HOLE
LS039806	SPRING
LS045147	FILTER BREATHER
LS0549911	LATCH & HOLDER KIT
LS106017	LONG DOOR BUSHING, 1 x 1.5 x 2.5
LS108691	GALVANIZED PIPE BUSHING
LS120136	ELEVATOR CHAIN, COTTER STYLE, 84P, 12 FLT
LS120384	ELEVATOR FLIGHT RUBBER
LS120751	POLY IDLER
LS120751R	RUBBER IDLER
LS121362	PUSH BUTTON
LS121815	ELEVATOR SPROCKET RETAINER
LS122602	STRIP BROOM
LS123255	PUB ELEVATOR ON/OFF SWITCH
LS123256	HOR FUNCT ON/OFF SWITCH
LS123648	FLANGE BEARING, 1-15/16, TRIPLE SEAL
LS124193	10T POLY SPROCKET
LS124194	SPROCKET SLEEVE
LS124312	FLIGHT ANGLE WELDMENT, 9-HOLE
LS124316	ELEVATOR FLIGHT RUBBER
LS13981J	TIMER RELAY, 12V
LS1446	BEARING
LS1447	WIDE SWEEP BRUSH BEARING
LS159161	HOSE, 8" x 6 FT. x 3"
LS159171	HOSE, 8" x 42" W/3" CUFFS
LS16569	HEAT/START SWITCH
LS180671	ELBOW
LS1836	BEARING
LS1839	BEARING
LS2007121	REAR MESH W/ASSEMBLY
LS202577	CLAMP
LS205295	MUD FLAP
LS205829	SPACER
LS211669	UPPER ELEVATOR FLAP
LS212786	SPRING ASSEMBLY FLOAT
LS2210601	BLOWER HOUSING
LS2214111	BOTTOM CURTAIN
LS2214121	TOP NOZZLE CURTAIN
LS2214141	BLISTER FLAP
LS2214181SP	FLAP, 8" WIDE
LS2214191SP	FLAP, 9" WIDE

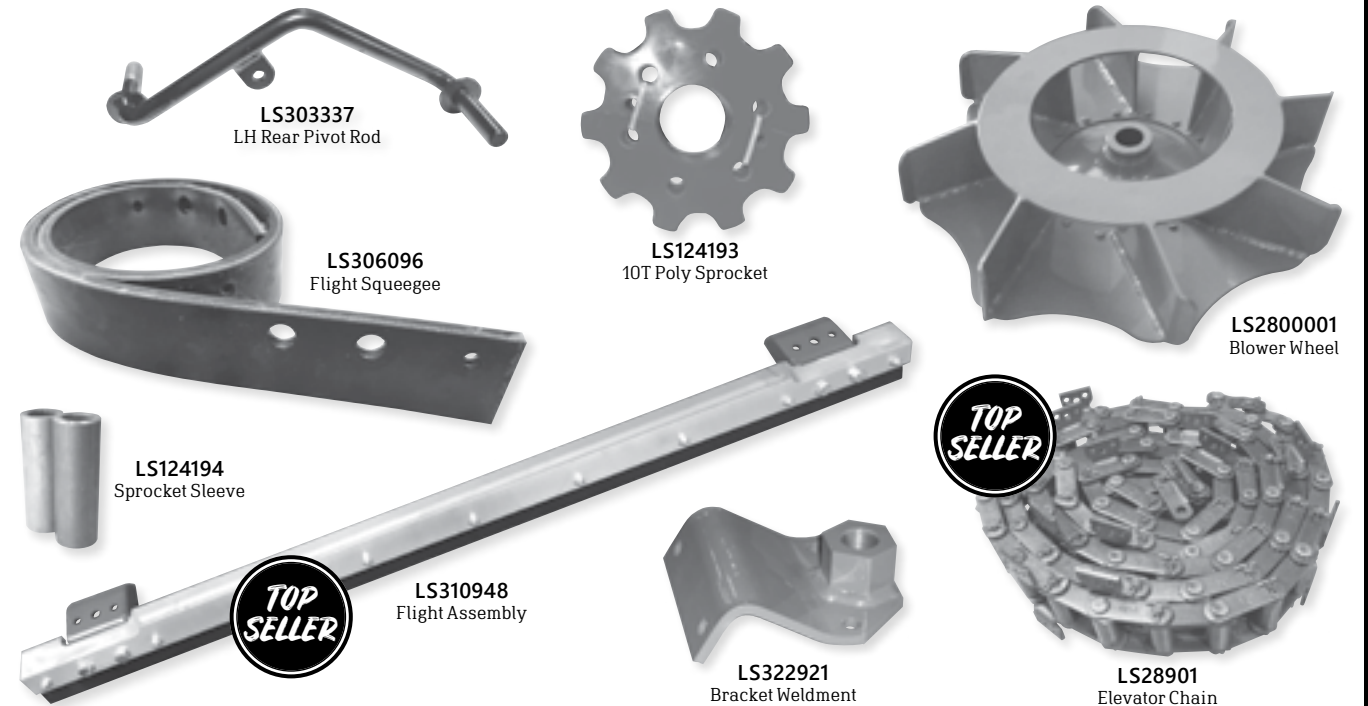
**JOHNSTON GLOBAL**

LS2217711	WANDERING HOSE, 8" x 93"
LS225991	WATER PUMP
LS2411002	DEFLECTOR
LS241320	SOLENOID VALVE, 12VDC 3/2 PORT
LS245023	SUCTION HOSE, 12" x 40" W/4" CUFFS
LS27239	HEAD UP-DN SWITCH ACTUATOR
LS2800001	BLOWER WHEEL
LS2808301SP	IMPELLER & SECURING KIT
LS2812191	INLET TUBE MOLDED SEAL
LS28133512	ACTUATOR
LS2813721	WATER VALVE ASSEMBLY, 12V
LS2814121	WATER SYSTEM BRANCH
LS2817501	WATER FILTER ASSEMBLY
LS2817771	LONG REAR DOOR SEAL
LS2823901	HOUSING
LS2823961	BODY MAKE/BRAKE SEAL
LS2823971	SUCTION SIDE FAN CASE COWL SEAL
LS2825381	RUBBER KIT
LS2825771	FLAP INTAKE
LS2827651	SEAL
LS2827811	WATER JET
LS2828111	MOUNTING BRACKET
LS2828171	KEY
LS2835241	REGULATOR ASSEMBLY
LS2835261	REGULATOR ASSEMBLY
LS2840401	WATER TANK CAP
LS2852	SPRINGS
LS28901	ELEVATOR CHAIN
LS28901501	SEAL KIT
LS28901ASSY	ELEVATOR CHAIN W/FLIGHT ASSY.
LS28901H	ELEVATOR CHAIN
LS28901P	ELEVATOR CHAIN, 78P./13 ATTACH
LS289021	CYLINDER
LS291282	BUSHING, 38.2 I.D., 42.2 O.D., 20 LG.
LS29160500	SEAL KIT
LS300003	BUMPER
LS300024	MOTOR BRACKET
LS300026	ELEVATOR ARCH WELD., 10 GAUGE
LS300054	UPPER ELEVATOR SHAFT
LS300063	DEFLECTOR PAD
LS300234	WIPER RING
LS300235	WIPER HOUSING
LS30025501	SPROCKET SHIELD
LS300897	PUSH-PULL CABLE, 168"
LS300917	BALL JOINT
LS300930	RH RUBBER DIRT SHOE ASSEMBLY
LS300931	LH RUBBER DIRT SHOE ASSEMBLY
LS300993	GUTTER BROOM CABLE
LS301297	RH BRACKET
LS301298	LH BRACKET
LS301298B	LINK BOSS
LS301300	FIBER DEFLECTOR
LS302191	GUTTER BROOM PLATE
LS302199	PRESSURE GAUGE
LS302318	BUMPER
LS302344	HYDRAULIC CYLINDER
LS302499	SLEEVE

**JOHNSTON GLOBAL**

LS302532	LH STRIP BRUSH
LS302533	RH STRIP BRUSH
LS302578	LH DIRT SHOE DEFLECTOR
LS302579	RH DIRT SHOE DEFLECTOR
LS302591	RH RUBBER DIRT SHOE RUNNER
LS302592	LH RUBBER DIRT SHOE RUNNER
LS30264	SHACKLE
LS303337	LH REAR PIVOT ROD
LS30333701	RH REAR PIVOT ROD
LS303403	BEARING, SINTERED BRONZE
LS303463	HARDENED BUSHING
LS303464	BROOM ARM WELDMENT
LS303504	PLATE
LS303575	GUARD
LS304175	RH BEARING & BRACKET ASSEMBLY
LS304283	PARKING BRAKE SWITCH, N.C.
LS304307	NORM OPEN SWITCH
LS304368	FRONT/CENTER PIVOT ROD
LS304586	DEFLECTOR
LS304587	FLAP
LS304609	BRACKET DEFLECTOR
LS304610	DEFLECTOR RETAINER
LS304611	DEFLECTOR
LS304776	STEEL TUBE SPACER
LS304854	DEFLECTOR
LS304864	SPECIAL STUD
LS304900	FLAP
LS305046	CLEVIS
LS305051	SPACER TUBE
LS305053	CLEVIS WELDMENT
LS305054	SHOCK ABSORBER
LS305086	LINK LIFT
LS305207	PILLOW BLOCK BEARING
LS306093	MOUNTING BRACKET
LS306095	CLAMP
LS306096	FLIGHT SQUEEGEE
LS306096SP2	FLIGHT SQUEEGEE, 3.5" WIDE
LS306682	WHEEL CYLINDER
LS306978	SEAL
LS307131	FLAP
LS307461	SPRAY NOZZLE ASSEMBLY
LS308292	4-BOLT FLANGE BEARING W/CAP
LS308301	IDLE HALF SPLIT SHAFT
LS308460	SHOCK ABSORBER
LS30847	SPRAY NOZZLE
LS308593	CYLINDER PUB LIFT
LS308612	ELEVATOR HYDRAULIC MOTOR
LS308671	ELEVATOR FLOOR PLATE
LS308710	SPLIT SPROCKET, 2 PC. SHAFT
LS308717	HARD SPLIT SPROCKET, 1 PC. SHAFT
LS308769	SPACER
LS308826	LH ELEVATOR SIDE PANEL WELD.
LS308827	RH ELEVATOR SIDE PANEL WELD.
LS308829	UPPER SHAFT HALF, MOTOR SIDE
LS308832	HALF SHAFT ASSEMBLY
LS308833	SHAFT ASSEMBLY, MOTOR SIDE
LS309297	GUTTER BROOM MOTOR
LS309350	SHAFT WELDMENT

THESE ARE OUR MOST POPULAR REPLACEMENT PARTS • MANY MORE PARTS AVAILABLE – JUST ASK!



**JOHNSTON GLOBAL**

LS309464	LOW DUMP DOCK BUMPER
LS309488	SPRAY BAR ASSY. W/NOZZLES
LS310116	GUTTER BROOM PULLEY
LS310590	UPPER ELEV. FLOOR PLATE WELD.
LS310921	LOWER ELEV. FLOOR PLATE WELD.
LS310947	FLIGHT ANGLE
LS310948	FLIGHT ASSEMBLY
LS311318	MUFFLER
LS311428	LAP JOINT CLAMP
LS311894	LH M.B. BEARING MOUNTING PLATE
LS312361	ELEVATOR SIDE SEAL
LS312568	DEFLECTOR FLAP
LS312745	FIBER GUARD
LS312745C	MOUNTING PLATE
LS312834	SPLASH GUARD
LS313129	PARKING BRAKE ACTUATOR
LS313440	RH PARKING BRAKE CABLE ASSY.
LS313441	LH PARKING BRAKE CABLE ASSY.
LS314647	DEFLECTOR
LS314741	WEATHERPROOF RELAY
LS315737	PUSH/PULL THROTTLE CABLE
LS316114	LH PICKUP B. ARM ASSEMBLY
LS316270	ELEVATOR SIDE SEAL
LS317021	GAS SPRING W/END CONNECTORS
LS317112	FUEL SENDER REWORK
LS317366	RAISE/LOWER ROCKER SWITCH
LS317368	ROCKER SWITCH
LS319044	LINEAR ACTUATOR
LS319220	SHOCK ABSORBER ASSEMBLY
LS319548	FRONT DEFLECTOR
LS319580	BACKING STRIP
LS319588	FLIGHT ANGLE

**JOHNSTON GLOBAL**

LS319591	FLIGHT ASSEMBLY
LS32105	DOUBLE SPROCKET
LS32105B	HUB
LS322574	ELEVATOR TOP RUBBER SEAL
LS322575	ELEVATOR SIDE RUBBER SEAL
LS322789	FUEL PUMP, 12V
LS322847	BRACKET WELDMENT
LS322921	BRACKET WELDMENT
LS322972	ELEVATOR LIP RUBBER FLAP
LS323028	ELEVATOR BOTTOM SEAL
LS323385	LOWER ELEVATOR SHIELD SEAL
LS323533	GUTTER BROOM MOTOR
LS323760	SPIN-ON HYD. FILTER ELEMENT
LS323808	SPEED SWITCH
LS323814	ROCKER SWITCH
LS323892	LONG RETAINER PLATE
LS324553	HIGH/LOW ROCKER SWITCH
LS325672	ELEVATOR SIDE SEAL
LS325947	LEAF GATE LIP RUBBER FLAP
LS325951	PLATE RETAINER
LS325985	V-BELT
LS326020	ELEVATOR LEAF GATE WELDMENT
LS326129	MUFFLER
LS326134	MUFFLER STRAP
LS326280	HINGE PIN ASSEMBLY
LS326281	SNAP RING
LS326282	BUSHING
LS326480	SPLASH GUARD DEFLECTOR
LS326605	END RUBBER FLAP
LS326614	RUBBER CENTER DEFLECTOR
LS326717	PIVOT PIN
LS327100	CHAIN CURTAIN WELDMENT

**JOHNSTON GLOBAL**

LS329832	HARDENED SPLIT SPROCKET
LS331238	COUNTERBALANCE VALVE
LS331240	RELIEF VALVE
LS331247	VALVE BANK
LS334440	CENTER DIRT SHOE
LS34691	7 FLIGHT BELT W/HDW., 2-BOLT MTG
LS34691A	7 FLIGHT BELT
LS350052	PUB SHAFT
LS350565	BEARING BRACKET WELDMENT
LS350567	BOLT RETAINER PLATE
LS350870	RH PUB ARM & BUSHING ASSEMBLY
LS350902	HUB
LS351027	FLANGE BEARING
LS351159	DRAIN PLUG ASSEMBLY
LS351490	CABLE ASSEMBLY
LS352391	FLANGE BEARING, 4-BOLT HOUSING
LS352394	RH URETHANE DIRT SHOE
LS352395	LH URETHANE DIRT SHOE
LS352396	RH POLY DIRT SHOE ASSEMBLY
LS352397	LH POLY DIRT SHOE ASSEMBLY
LS352406	RH PUB ARM & BUSHING ASSY.
LS352410	LH PUB ARM & BUSHING ASSY.
LS353013	PU BROOM DEFLECTOR FLAP
LS353107	RELAY, 65 AMP
LS353996	LEVEL SENSOR
LS354656	LH UPPER ASSY. ELEV. HALF SHAFT
LS354889	SPLASH GUARD
LS354980	Y STRAINER FILTER W/LANYARD
LS36008	DEFLECTOR
LS36054	DIRT SHOE
LS36371	GBA SPRING
LS381011	HOPPER CYLINDER REPAIR KIT

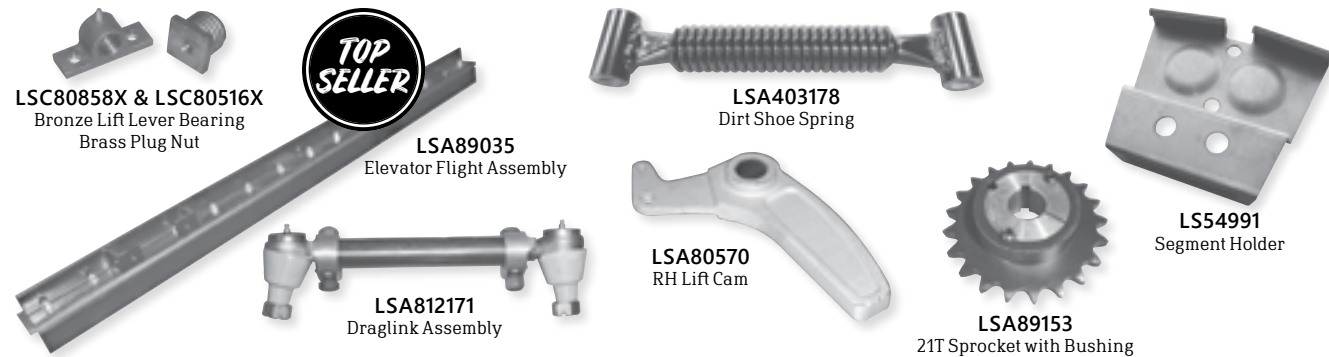
START SAVING TODAY! CONTACT LACAL BY PHONE 800-543-6161 or EMAIL SALES@LACAL.COM

ALL PARTS ARE GUARANTEED TO MEET WITH YOUR APPROVAL. Local Equipment, Inc. offers after-market parts for road and highway maintenance equipment. All original equipment manufacturer's names, drawings, colors and part numbers are used for identification purposes only. Local is in no way implying that any of our products are original equipment parts.

START SAVING TODAY! CONTACT LACAL BY PHONE 800-543-6161 or EMAIL SALES@LACAL.COM

ALL PARTS ARE GUARANTEED TO MEET WITH YOUR APPROVAL. Local Equipment, Inc. offers after-market parts for road and highway maintenance equipment. All original equipment manufacturer's names, drawings, colors and part numbers are used for identification purposes only. Local is in no way implying that any of our products are original equipment parts.

THESE ARE OUR MOST POPULAR REPLACEMENT PARTS • MANY MORE PARTS AVAILABLE – JUST ASK!



**JOHNSTON GLOBAL**

LS381200	SOLENOID VALVE
LS381211	SOLENOID VALVE
LS381215	SOLENOID VALVE W/COIL
LS381256	COIL
LS381745	7 FLIGHT ELEVATOR BELT, 1 STUD
LS381746	11 FLIGHT ELEVATOR BELT, 1 STUD
LS382707	SOLENOID VALVE W/COIL
LS402431	CENTER BAFFLE
LS402961	PIVOT HEAD LEVER
LS403802	PULLEY
LS404352	FLAP
LS4044212	SHAFT W/A-DIM A 1393
LS41480	DIRT DEFLECTOR
LS422301W	BLOWER HOUSING WELDMENT
LS422381	ACCESS COVER
LS424011	TRANSITION RING
LS43099/100KIT	LH & RH TRIANGULAR DIRT SHOES
LS44755	FLAP ASSEMBLY
LS44757	BLADE DEFLECTOR
LS45842	LH MUD FLAP
LS4682	ADAPTOR, 1/4"
LS50454	CLAMP
LS51943	LUBE FITTING, 90-DEG
LS53178	DEFLECTOR
LS54990	SLIDING LATCH
LS54991	SEGMENT HOLDER
LS601139	DOOR ACTUATOR SHAFT
LS611021	DEFLECTOR
LS622602	RED RUBBER NOZZLE SET
LS633341	CHANNEL BRUSH CURTAIN
LS635231	FLAP SHAFT BEARING
LS636621	HOSE, 9" x 34" W/3" CUFFS BOTH ENDS
LS64535	SHOCK
LS6502A	SQUEEGEE
LS673681	MUDFLAP
LS7022067	CARRIAGE NOZZLE ASSEMBLY
LS7029194	PIVOT PIN
LS7029284	UPPER ARM WITH ASSEMBLY
LS7029286	LOWER ARM WITH ASSEMBLY
LS7029287	LOWER FORWARD PIN
LS7029380	MOTOR PLATE W/ ASSEMBLY
LS7029413	GUTTER BROOM MOTOR
LS7030843	ELEVATOR FLIGHT WELDMENT

**JOHNSTON GLOBAL**

LS7030843ASSY	ELEVATOR FLIGHT ASSEMBLY
LS7030845	ELEVATOR FLIGHT CURTAIN
LS7032946	SIDE BRUSH REAR BROOM BRUSHES
LS7033510	SOLENOID VALVE
LS7039700	SOLID RUBBER TIRE, 10" x 2"
LS7044293	MOUNTING FRAME W/ASSEMBLY
LS7044498	CYLINDER
LS7064909	SPINDLE ONLY
LS7721	OIL SEAL
LS890919012	CHAIN, 12 LINKS
LS890919015	CHAIN, 15 LINKS
LS896663022	CHAIN, 1/4"
LS932381	CH BRUSH LIFT CABLE
LS949922	NOZZLE TRUNKING, 10" x 39.37"
LSA124311	ELEVATOR FLIGHT ASSY., 9-HOLE

**MOBIL**

LB065	PLASTIC GUTTER BROOM BLOCK
LB122	COMBO TUBE BROOM, 58"
LB412	CENTER SWEEP MANDREL, 58"
LB458	STRIP BROOM SET, BLACK, 58"
LB458A	SINGLE STRIP BROOM
LB504	POLYTUBE BROOM, 58"
LB558	COMBO STRIP BROOM, 58"
LB559	4-SEGMENT GUTTER BROOM
LB601	4-SEGMENT POLY GUTTER BROOM
LS0137011	BLADE ATHEY LOADER 712
LS0237012	CUTTING EDGE (ATHEY LOADER)
LS129421	KEY
LS13130777	BEARING
LS1408	CLEVIS PIN, PLAIN
LS2123G	PIPE COUPLING, GALVANIZED
LS22250	CLOSE NIPPLE, 1" NPT, 1-1/2" O.A.L.
LS28168	HOSE BARB, 3/8" MNPT x 1/2" HOSE
LSA402879	DEFLECTOR ASSEMBLY
LSA402880	FRONT DIRT DEFLECTOR ASSEMBLY
LSA403178	DIRT SHOE SPRING
LSA801561	ELEVATOR FLAP ASSEMBLY
LSA803541	FRONT SPRAY BAR ASSEMBLY
LSA803541SP	SPRAY BAR ASSY., NO SHUTOFF
LSA803571	UPPER SHAFT ASSEMBLY
LSA803572	LOWER SHAFT ASSEMBLY
LSA803597A	FLIGHT ASSEMBLY
LSA80397	ELEVATOR DRAPE
LSA80397B	DRAPE HINGE SLEEVE

**MOBIL**

LSA80397HD	HEAVY DUTY DRAPE ASSEMBLY
LSA80397HDE	HD RUBBER DEFLECTOR
LSA80405	ELEVATOR FLIGHT ASSEMBLY
LSA805044	ELEVATOR FRAME, STD SHOE
LSA8050442	5-YD FRAME ASSEMBLED
LSA8050442U	5-YD FRAME ASSEMBLED
LSA805044A	RH UPPER SIDE PANEL
LSA805044AJNP	RH UPPER PANEL SUB-ASSY.
LSA805044B	LH UPPER SIDE PANEL
LSA805044BJNQ	LH UPPER PANEL SUB-ASSY.
LSA805044HD	STD SHOE ELEVATOR FRAME
LSA80510	LH LIFT CAM
LSA80514	TENSION SPRING ASSEMBLY
LSA80570	RH LIFT CAM
LSA80609	HOOD HOLD DOWN ASSEMBLY
LSA806436	BLACK BROOM COVER ASSEMBLY W/ENDS
LSA806437	WHITE BROOM COVER ASSEMBLY W/ENDS
LSA807580	DIRT DEFLECTOR KIT
LSA808175	LOWER ELEVATOR SHAFT ASSY.
LSA808175U	LOWER SHAFT 10T SPROCKET ASSY.
LSA808177	UPPER ELEVATOR SHAFT ASSEMBLY
LSA808177U	UPPER SHAFT 10T SPROCKET ASSY.
LSA808954	FLIGHT ASSEMBLY
LSA812171	DRAGLINK ASSEMBLY
LSA88219E	MOUNTING BRACKET CROSS PLATE
LSA88219F	UPPER END CROSS BRACE
LSA88219X	UPPER LINER CROSSMEMBER
LSA88219ZC	LINER CONNECTOR
LSA88991	DIRT DEFLECTOR ASSEMBLY
LSA89035	ELEVATOR FLIGHT ASSEMBLY
LSA89036	ELEVATOR CHAIN & FLIGHTS KIT
LSA89036ASSY	ELEV. CHAIN & FLIGHTS, ASSEMBLED
LSA89153	21T SPROCKET W/BUSHING
LSC80516X	BRASS PLUG NUT
LSC80803X	BRASS SPRING END PLUG
LSC80858X	BRONZE LIFT LEVER BEARING
LSG801155	SHACKLE LEAF SPRING KIT
LSG802096	ELEVATOR DRAPE ASSEMBLY
LSKM9B4T05KIT	SCISSORS CONV. KIT, 4-5 STAGE
LSM2000352	REAR BAFFLE
LSM2001279	CURTAIN
LSM801562	RUBBER CANVAS FLAP
LSM804025	SEAL TRIM, 16.66'

THESE ARE OUR MOST POPULAR REPLACEMENT PARTS • MANY MORE PARTS AVAILABLE – JUST ASK!



**MOBIL**

LSM84850	BRIDGE STRIP
LSM88955	RUBBER SEAL
LSM88958	HOPPER SEAL
LSM9BK2	LINERS HARDWARE KIT
LSP1004207	STD ROLLER BROOM
LSP1004217A	RUBBER DIVIDER
LSP1004218A	RUBBER DIVIDER
LSP1005871	AIR REGULATOR W/NUT
LSP2001013	FRONT RIM, 8 MOUNTING HOLES
LSP2001337	FRONT DRAPE
LSP400091	CONNECTOR LINK
LSP400124C	SPRAY WATER PUMP
LSP400424	SEAL KIT
LSP400457	DRAG SHOE SEAL
LSP400690	ISOLATOR
LSP401907A	AIR CYLINDER
LSP402242	SEAL KIT
LSP403152	RH DUST SHIELD, BLACK POLY
LSP403153	LH DUST SHIELD, BLACK POLY
LSP403177	BUSHING
LSP403179	BUSHING
LSP403602	CHARGE FILTER ELEMENT
LSP403899	ELEVATOR BEARING
LSP403941	HYDRAULIC MOTOR
LSP45631B	FLUID LEVEL INDICATOR W/THERM
LSP71633	OIL PSI SENDING UNIT
LSP800175A	SPROCKET
LSP800422	SPRING
LSP800423	SPRING
LSP800424	PARKING BRAKE SHOE SET
LSP800772	HYDRAULIC MOTOR SEAL KIT
LSP80084	COLLAR W/SET SCREW
LSP80095B	FRONT SPRING PIN
LSP801079	QUADRANT BUSHING
LSP801092	FRONT SPRING SHACKLE
LSP801136	ELEVATOR CHAIN SIDE BAR, PLAIN
LSP801137	LINK PIN W/ SPLIT COTTER
LSP801138	COTTER SIDE ATTACH BAR
LSP801141	OFFSET HALF LINK, NO PINS/COT
LSP801247	BANJO BOLT
LSP801249	BRAKE LINE HOSE
LSP801257	RD. PIN ANCHOR SHACKLE
LSP801310	BRAKE PAD KIT, 4 PADS
LSP801311	CALIPER ASSEMBLY

**MOBIL**

LSP801317	RH BRAKE CALIPER SUPPORT
LSP801318	SPRING ASSEMBLY
LSP801319	RH & LH RETAINER SET
LSP801320	BOLT
LSP801324	CALIPER ASSEMBLY W/O LINING
LSP801330	REAR ROTOR
LSP801337	BRAKE MASTER CYLINDER
LSP801537A	SCISSORS LINK BUSHING
LSP801539	GAS DOOR SHOCK
LSP801540	BALL STUD
LSP801541	SAFETY CLIP
LSP801626	EXTENSION SPRING
LSP80175	WATER PUMP PULLEY
LSP801882	PAD KEEPER SPRING
LSP80210	SPROCKET W/BUSHING, 30T
LSP80211	SPROCKET, 21 TOOTH
LSP802112	LINING RETAINER SPRING
LSP80222	REAR BROOM FLOAT SHOCK ABSORBER
LSP80226	4-YD ELEVATOR CHAIN, 9 FLT, 74P
LSP80226ASSY	4-YD ELEV. CHAIN W/FLIGHT ASSY.
LSP80226P	4-YD ELEVATOR CHAIN, 9 FLT, 74P
LSP80227	8 FLIGHT CONVEYOR CHAIN, 63P
LSP80227P	8 FLIGHT CONVEYOR CHAIN, 63P
LSP80228A	HYDRAULIC MOTOR
LSP802425B	11 TOOTH ELEV. CHAIN, 12 FLIGHT
LSP80245	SHOCK ABSORBER
LSP802539	11 TOOTH SPROCKET, RUBBER
LSP802539U	11 TOOTH SPROCKET, URETHANE
LSP802540	RUBBER IDLER WHEEL, 11 TOOTH
LSP802540U	LARGE URETHANE IDLER WHEEL
LSP802588	SQUEEGEE
LSP802588A	SQUEEGEE, 13 HOLE
LSP802659	BOLT SLEEVE
LSP802660	PLASTIC SPROCKET BUSHING
LSP802725	ELEVATOR MOTOR SPROCKET, 12T
LSP802726A	ELEV. DRIVE SPROCKET, 36T, 42RPM
LSP802727	CHAIN
LSP802739A	ADJUSTABLE CYLINDER
LSP802881	TAIL LIGHT KIT
LSP802887	PARK BRAKE CYLINDER W/YOKE
LSP80290	STEEL HINGE, ZINC PLATED
LSP802908	SEAL CLAMP
LSP802916A	AIR CYLINDER

**MOBIL**

LSP802917A	AIR REGULATOR
LSP802924A	WHEEL ASSY., 22.5 x 9.00, 10 HOLE
LSP802926A	CENTER MUFFLER PIPE
LSP802934	CAB DOOR HINGE
LSP803027	LOUVER DASH
LSP803067	TRANS. SHIFTER CABLE
LSP803232	GATE CYLINDER
LSP803274A	TOP TUNNEL INSULATION
LSP803429	INSULATOR VIBRO
LSP803472A	LH SIDE COVER, 1.5" WIDE LIP
LSP803473B	RH SIDE COVER, 1.5" WIDE LIP
LSP803509	BEARING
LSP803748	INVERTER ASSEMBLY
LSP80385	ELEVATOR BEARING, LINK-BELT
LSP80385P	ELEVATOR BEARING
LSP803955	CHECK VALVE
LSP803979	BLOWER WHEEL
LSP803982A	FAN MOTOR, 12V
LSP803986	FRESH AIR FILTER
LSP803993	WATER VALVE
LSP804003	HEATER SWITCH
LSP804009	HEAT CABLE, 40"
LSP804017	A/C SWITCH
LSP80409A	RUBBER SQUEEGEE
LSP804126	ROCKER SWITCH
LSP804162	CHAIN PIN W/COTTER
LSP804165	SEAL KIT
LSP804307	AXLE SHAFT WASHER
LSP80436	CHAIN
LSP804378	ROTOR
LSP804423	ROCKER SWITCH
LSP804583	OUTSIDE PADDLE HANDLE
LSP804615	SEAL KIT
LSP804640	LH POLY HINGE
LSP804641	RH POLY HINGE
LSP804660	REAR COMPARTMENT TOP COVER
LSP804675A	REAR COMPARTMENT
LSP804682	SEAL KIT
LSP804751	BLUE LENS INSERT
LSP804796	LIFT CYLINDER SEAL KIT
LSP804893	HORN BUTTON
LSP804906A	LH SIDE COVER
LSP804988	ELEVATOR CHAIN, 11 FLT, 67P
LSP805068	LINING KIT, 2 PCS - 1 THICK/1 THIN

START SAVING TODAY! CONTACT LACAL BY PHONE 800-543-6161 or EMAIL SALES@LACAL.COM

ALL PARTS ARE GUARANTEED TO MEET WITH YOUR APPROVAL. Local Equipment, Inc. offers after-market parts for road and highway maintenance equipment. All original equipment manufacturer's names, drawings, colors and part numbers are used for identification purposes only. Local is in no way implying that any of our products are original equipment parts.

START SAVING TODAY! CONTACT LACAL BY PHONE 800-543-6161 or EMAIL SALES@LACAL.COM

ALL PARTS ARE GUARANTEED TO MEET WITH YOUR APPROVAL. Local Equipment, Inc. offers after-market parts for road and highway maintenance equipment. All original equipment manufacturer's names, drawings, colors and part numbers are used for identification purposes only. Local is in no way implying that any of our products are original equipment parts.





THESE ARE OUR MOST POPULAR REPLACEMENT PARTS • MANY MORE PARTS AVAILABLE – JUST ASK!

**SCHWARZE**

LS27479B	SLIDING FLANGE, 3/8" THICK
LS27525	HYDRAULIC TANK FILTER ELEMENT
LS27724	CYLINDER, 3.5 x 16.75, 3000 PSI
LS27746	ARBOR FOR A7000 BROOM & HEAD
LS27964	PRESSURE SWITCH, 1000 PSI
LS27981	CASTER ASSY., 10" x 3" W/1.25 AXLE
LS27982	WHEEL ONLY, 10" x 3" x 1.25"
LS28128	BELT, 2/3V x 280
LS28445	V CLAMP, 16-1/8
LS28458	SHORT ALUMINUM DOOR HINGE
LS28482	HOPPER INLET SEAL
LS28537	CASTER AXLE KIT
LS28562	TORQUE MOTOR
LS28576	HYDRAULIC CYLINDER, 2 x 6
LS28578	AIR CYLINDER
LS28578SK	PISTON SEAL KIT FOR 28578 CYL
LS28594	TAKE UP CYLINDER, TEMP#EX-0178
LS28608	BEARING
LS28609	BEARING
LS28611	BEARING, DU 2" I.D. x 1-1/2" LG
LS28632	FLIGHT RUBBER
LS28636	ELEV. SHAFT BEARING, 2-BOLT
LS28642	GREASE CUP
LS28649	BROOM ARBOR ASSEMBLY
LS28649W	BROOM ARBOR WELDMENT
LS28663	PTO SHAFT
LS28671	HARDENED SPROCKET, 21 TOOTH
LS28680	LIMIT SWITCH
LS28687	ACTUATOR, 4" W/PLUGS, 500LB
LS28708	HARDENED SPROCKET, 30 TOOTH
LS28726	SNAP RETAINER, SS (SAFETY)
LS28765	EXTENSION SPRING
LS28786	HYDRAULIC CYLINDER, 3 x 6.5
LS28808	HYDRAULIC CYLINDER, 1.5 x 2.5
LS28817	MANUAL THROTTLE CABLE
LS28840	BEARING, 1 1/4" x 3/4"
LS28850	CYLINDER, 1.75 x 8 W/2 C'BAL
LS28908	BULKHEAD END CONTROL CABLE, 51"
LS28914	PVC ADAPT 3/4" SLIP x 1/4" FPT
LS28916	PVC ELBOW, 3/4", 45-DEG
LS28917	PVC BALL VALVE, 3/4"
LS28978	ELBOW, 90-DEG, 1/2NPT x 3/8 P2C
LS29079	HOSE, 10 X 30 X 3/16 HD
LS29102	E-STYLE EXTERNAL RET. RING, 1"
LS29114	24T HARDENED SPROCKET
LS29116	HYDRAULIC MOTOR
LS29138	T-HANDLE LATCH
LS29145	MAIN BROOM DRIVE CHAIN
LS29146	ELEVATOR DRIVE CHAIN
LS29153	PNEUMATIC CYLINDER, 2 x 15.75
LS29226	MAIN BROOM COVER HINGE, SS
LS29233	EYE BOLT
LS29238	EYE BOLT, 3/4-10 x 11" LG
LS29252	JOINT, BALL ROD END 1/2-20
LS29273	WATER TANK
LS29297	PLASTIC REAR BROOM COVER
LS29320	CURTAIN SET W/HARDWARE

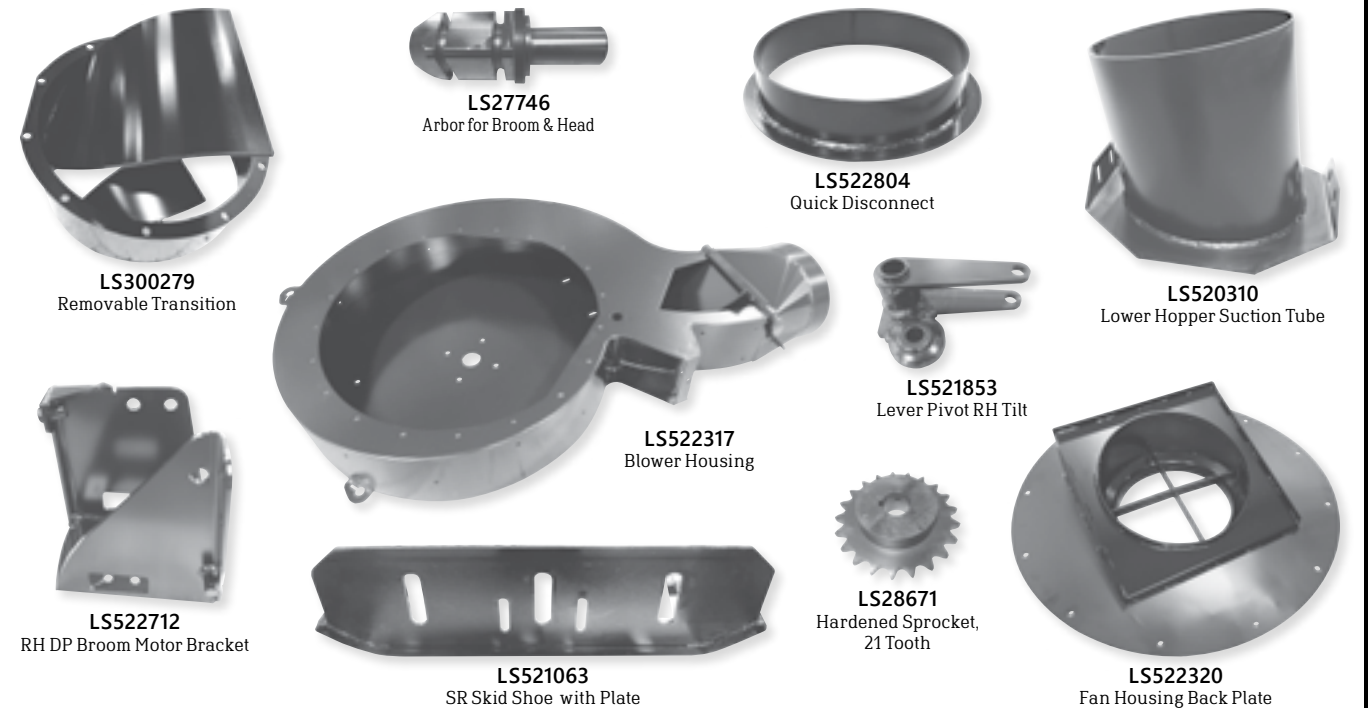
**SCHWARZE**

LS29321	FAN HOUSE LINER KIT
LS29322	GAS SPRING, 7"
LS29333	CURTAIN SET W/HARDWARE
LS29336	PUNCHED CURTAIN SET W/HDW.
LS29337	BLOWER HOUSING LINER KIT
LS29337A	BLOWER HOUSING LINER ONLY
LS29338	POWER HEAD CURTAIN SET W/HDW.
LS29339	BLOWER HOUSING LINER KIT
LS29340	CENTER FLAP, IH & FL
LS29342	HEAD STOP FLAP
LS29364	SWITCH, TEMP 190o RISING
LS29367	CENTER FLAP, GMC, STERLING
LS29408	GAS SHOCK
LS29444	SQUEEGEE
LS29494	RUBBER SEAL (BOLT IN TUBE)
LS29582	TEMP SWITCH
LS29794	SPRING JD-E46746
LS29923	INTAKE SEAL, 10"
LS29986	4" ACTUATOR, 1200 LB
LS300077	P.U. HEAD ASSY., ADJ. ORIFICE
LS300077W	BARE PICKUP HEAD, ADJ. ORIFICE
LS3001137	FAN SHAFT
LS3001514	DEFLECTOR FLAP EXTENSION
LS300152	ADJ. BLAST ORIFICE BRACKET
LS3001560	GUIDE COVER PLATE, RUNWAY
LS300244	GUTTER BROOM DISC
LS300278SCH	PICKUP HEAD
LS300279	REMOVABLE TRANSITION
LS300345	HEAD, MP, RUNWAY, WELDMENT
LS352409	LEFT HAND ARM WELDMENT
LS50055	SWITCH
LS5021825	DRAG LINK BRACKET
LS5200028	BLOCKOFF PLATE
LS5200087	SUCTION CURTAIN
LS520014	PICKUP HEAD, FIXED ORIFICE
LS520019	FAN HOUSING, STD
LS520029	LH DRAG ARM, NON ADJUSTABLE
LS520030	CENTER DEFLECTOR BRACKET
LS5200439	CLAMP
LS5201950	BROOM DISC HUB 1-1/2 X 3" O.D.
LS5202023	CURTAIN CLAMP
LS5202581	FAN SHAFT
LS520310	LOWER HOPPER SUCTION TUBE
LS520311	HOPPER HINGE PIN
LS5203726	FRONT & MIDDLE CURTAIN CLAMP
LS5203727	REAR CURTAIN CLAMP
LS5204003	SHAFT
LS520425	PLATE & SKID SHOE, 1 PC
LS5204418	DOOR CYLINDER PIN
LS520463	DEFLECTOR FLAP MOUNT
LS520479	DOOR PROP WELDMENT
LS5204856	BROOM DRIVE HUB
LS5204931	RH SPRING HANGER
LS5204932	LH SPRING HANGER
LS5206385	FAN SEAL
LS5206412	INTAKE SEAL
LS520644	HOPPER INTAKE TUBE
LS520684	HAND HOSE COVER PLATE

**SCHWARZE**

LS5207160	ROD END, DRILLED & TAPPED
LS5207229	ABO SHIM, POWER HEAD
LS5207229BAH	BLAST ORIFICE SHIM, BAH
LS5207250	CURTAIN BACKING STRIP
LS5207254	NUT, SELF-ALIGNING, SLIDE
LS5207362	HOPPER VIBRATOR SHIM
LS5207458	CURTAIN CLAMP
LS5207519	BACKING STRIP
LS5207976	FAN SHAFT KEY
LS520804	BLOWER WHEEL, 28" STD
LS520823	MOUNTING PLATE, 5" HAND HOSE
LS520824	CAP DOOR WELDMENT
LS520845	HOPPER INSPECTION DOOR
LS520846	DUMP DOOR
LS520873	BAR MAGNET MOUNT ISUZU NPR-W4
LS520886	UP STOP
LS520887	UP STOP
LS520939	HOPPER DOOR LATCH CYL. 700
LS520940	PICKUP HEAD
LS520940F	INLET TUBE
LS520941	BROOM TURNBUCKLE
LS520966	HAND HOSE, 8" HANDLE
LS5210301	BLOWER SHAFT
LS5210400	FRONT OUTER CURTAIN, PUNCHED
LS521063	SR SKID SHOE W/PLATE
LS5210847	CURTAIN STIFFENER, FRONT BIH
LS521093	CYLINDER, 2 x 5 BROOM INNER
LS5210936	STEEL DEFLECTOR
LS5211063	HINGE PLATE
LS521132	FRONT SPRAY BAR, 72"
LS5211436	KICKER FLAP, PUNCHED
LS5211455	DIVIDER FLAP, PUNCHED
LS5211827	BLAST ORIFICE FLAP
LS521189B	DR CARBIDE SHOE W/PLATE
LS521189BA	BOLT-ON SHOE ONLY
LS521189BB	PLATE ONLY
LS521189BS	DR CARBIDE SHOE W/PLATE
LS5211908	FAN SHAFT
LS521197	FRAME TRANSITION TUBE
LS5212386LH	LH UPPER DOOR HINGE PIN
LS5212386RH	RH UPPER DOOR HINGE PIN
LS5212469	FILLER PLATE
LS5212667	FAN BEARING SPACER
LS5212668	WEIR, FAN SHAFT BEARING
LS5212813	DRAIN COVER PLATE
LS5213194	COVER DOOR DELUGE
LS5213212	SHIM ADJUSTABLE BLAST ORIFICE
LS5213703	DOOR PULL
LS5214167	FAN HOUSING LINER
LS5214182	WATER POD TRAY
LS5214617	FAN HOUSING DOOR LINER
LS5214857	FAN SHAFT, 1-11/16 x 39"
LS5214980	CLAMP
LS5215512	CURTAIN
LS521647	D.R. CARBIDE SKID SHOE W/PLATE
LS521649	ACTUATOR TOWER
LS521654	ADJUSTABLE BLAST ORIFICE, BAH
LS521655	HEAD JACKSCREW, POWER

THESE ARE OUR MOST POPULAR REPLACEMENT PARTS • MANY MORE PARTS AVAILABLE – JUST ASK!



**SCHWARZE**

LS521703	INSPECTION DOOR LATCH
LS5217770	LH HEAD STOP PLATE
LS5217771	RH HEAD STOP PLATE
LS5217816	FRONT TIE DOWN, TIER 3
LS521824	DRAG ARM
LS521850	LH GUTTER BROOM ARM
LS521851	RH GUTTER BROOM ARM
LS521852	LEVER PIVOT LH TILT
LS521853	LEVER PIVOT RH TILT
LS521860	HOPPER SEPARATOR DOOR
LS521885	SUCTION TUBE & FLANGE WELD.
LS521948	PICKUP HEAD
LS521951	IMPELLER
LS5220800	SEAL MATERIAL, 25-FT ROLL
LS522104	LH G. BROOM MOTOR BRACKET
LS5221046	FAN SEAL, A8T
LS522105	RH G. BROOM MOTOR BRACKET
LS522144	LH GEO TUBE
LS522145	RH GEO TUBE
LS522146	ACTUATOR MOUNT
LS5221537	SLIDER PLATE, DROP DOOR
LS522190	OUTRIGGER
LS522191	OUTRIGGER FOOT
LS5222326	RH UPSTOP
LS5222479	DRAG ARM BRACKET
LS522287	LOOSE LEAF DOOR
LS522317	BLOWER HOUSING
LS522319	30" REVERSE CURVE FAN w/BUSH
LS522320	FAN HOUSING BACK PLATE
LS522325-328	HOPPER & SHROUD WELDMENT
LS522325KIT	SHROUD KIT
LS522326	HOPPER SCREEN

**SCHWARZE**

LS522328	DIRT HOPPER WELDMENT
LS522328-325	HOPPER & SHROUD WELDMENT
LS522329	SEPARATOR DOOR
LS522337	FAN HOUSING CENTER PLATE
LS5223370	ENGINE TENSIONER, 235TE
LS522339T	IMPELLER W/BUSHING
LS522355	LIFT CHAIN/ STD SWEEPING HEAD
LS522360F	LEAF DOOR
LS522360G	LEAF DOOR HINGE ROD
LS522360H	ACTUATOR LEVER
LS522360I	LEAF DOOR HINGE BOSS
LS522361	FAN COVER PLATE WELDMENT
LS522364	TRANSITION WELDMENT
LS522372	28" REVERSE-CURVE FAN, 3" WIDE
LS522373	BEARING PORT COVER
LS522374	TURNBUCKLE
LS522375	SIDE INSPECTION DOOR W/ LATCH
LS522376	INSPECTION TOOLBOX DOOR
LS522390	DRAG ARM WELDMENT
LS522398	HOPPER ACCESS DOOR HINGE
LS522411	WELDMENT SCREEN HOPPER
LS522414	SEPARATOR DOOR, SS
LS522421	GUTTER BROOM STOP/SHIM
LS522422	DRAIN FLANGE
LS522482	REAR SCREEN
LS522483	FRONT SCREEN
LS522484	UPPER DOOR
LS522485	LOWER DUMP DOOR
LS522511	LH TOOLBOX DOOR
LS522512	RH TOOLBOX DOOR
LS522517	LH UPSTOP
LS522518	RH UPSTOP

**SCHWARZE**

LS522541	BUMPER WELDMENT
LS522592	HOPPER INLET PIPE
LS522595	DIRT HOPPER
LS522599	HOPPER DUMP DOOR
LS522601	HOPPER SCREEN
LS522604	DUMP DOOR HINGE
LS522605	SEPARATOR DOOR
LS522628	SEPARATOR DOOR WELDMENT
LS522665	TOOL BOX
LS522667	HOPPER DUMP DOOR HINGE STRAP
LS522668	HOPPER DUMP DOOR HINGE STRAP
LS522709	P.U. HEAD WELDMENT, ADJ. ORIFICE
LS522709ASSY	P.U. HEAD WELDMENT, ADJ. ASSY.
LS522711	LH DP BROOM MOTOR BRACKET
LS522712	RH DP BROOM MOTOR BRACKET
LS522713	LH DOWN PRESS SPRING BRACKET
LS522714	RH DOWN PRESS SPRING BRACKET
LS522718	PICKUP HEAD, QD FLANGE, ADJUST
LS5227181	PICKUP HEAD, STD., ASSEMBLED
LS5227182	P.U. HEAD WELD., QD, W/RUBBER
LS522725	SHAFT SLINGER, 1-11/16
LS522730	WATER TANK SIGHT GAUGE
LS522735	LH ADJUSTABLE DRAG ARM
LS522736	RH ADJUSTABLE DRAG ARM
LS522737	RH ADJUSTABLE DRAG ARM
LS522738	LH ADJUSTABLE DRAG ARM
LS522760	RH HOPPER SCREEN
LS522761	LH HOPPER SCREEN
LS522804	QUICK DISCONNECT
LS522833	DROP DOWN SCREEN, REAR
LS522878	REAR STAINLESS SCREEN
LS522886	CENTER BROOM DEFLECTOR

START SAVING TODAY! CONTACT LACAL BY PHONE 800-543-6161 or EMAIL SALES@LACAL.COM

ALL PARTS ARE GUARANTEED TO MEET WITH YOUR APPROVAL. Local Equipment, Inc. offers after-market parts for road and highway maintenance equipment. All original equipment manufacturer's names, drawings, colors and part numbers are used for identification purposes only. Local is in no way implying that any of our products are original equipment parts.

START SAVING TODAY! CONTACT LACAL BY PHONE 800-543-6161 or EMAIL SALES@LACAL.COM

ALL PARTS ARE GUARANTEED TO MEET WITH YOUR APPROVAL. Local Equipment, Inc. offers after-market parts for road and highway maintenance equipment. All original equipment manufacturer's names, drawings, colors and part numbers are used for identification purposes only. Local is in no way implying that any of our products are original equipment parts.





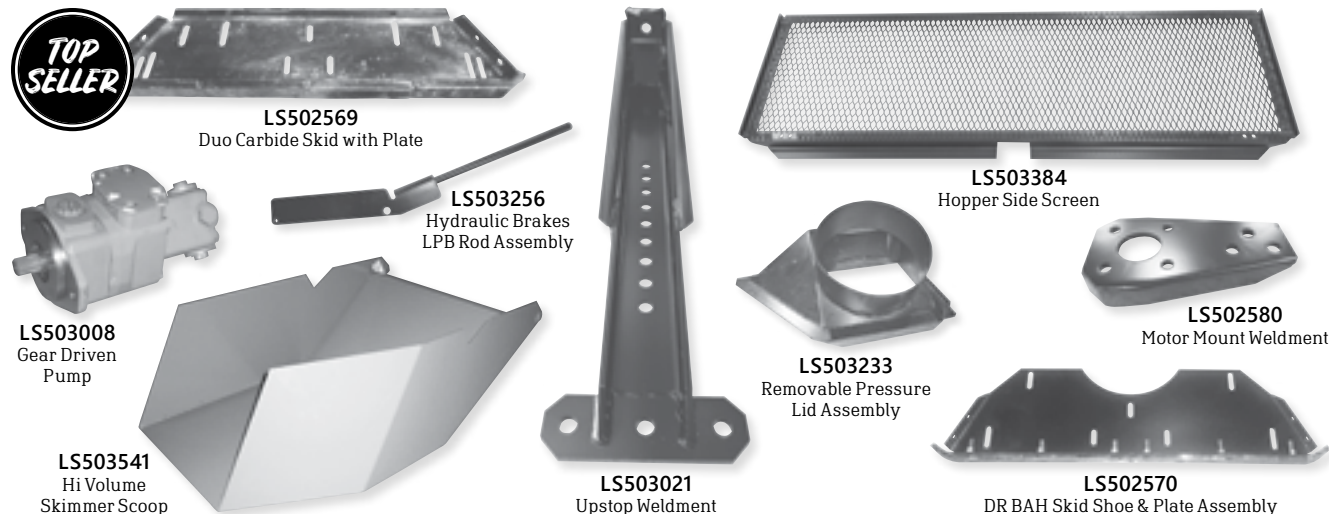








THESE ARE OUR MOST POPULAR REPLACEMENT PARTS • MANY MORE PARTS AVAILABLE – JUST ASK!



## TYMCO

LS5021377	ROLLER BAR
LS5021378	THREADED ROD
LS5021471	HCDS HINGE RECEIVER
LS5021584	CURTAIN LIFT CYLINDER MOUNT
LS502177	DUMP DOOR CYLINDER
LS5021783	BRACKET
LS5021784	HANGER
LS502184	WATER HOSE ASSY, 1/4" x 66"
LS5021868	SHEAVE 2G5 V6.7
LS5021960	TIE DOWN PLATE
LS5021982	SEPARATOR LINER CLAMP
LS502231	POLY TRANS W/O SEAL & FLANGE
LS502271	PIVOT ASSEMBLY
LS502273	PIVOT PIN ASSEMBLY
LS502299	HYD. HOSE ASSY., 1/4" x 214.876"
LS502367	WATER HOSE ASSEMBLY, 1/4" x 5"
LS502384	REAR BUMPER ASSEMBLY
LS502402	PICKUP HEAD LIFT CHAIN KIT
LS502412	WATER PUMP, 12VDC
LS502414	HOSE ASSEMBLY, 1/4" x 112"
LS502425	FRONT DEFLECTOR ASSEMBLY
LS502470	BAH KIT
LS502470ASSY	BAH ASSEMBLY
LS502556	12 VDC ELECTRIC WATER PUMP
LS502556BL	12VDC ELECTRIC WATER PUMP
LS502566	BRM-BAH, RED W/HUB
LS502567	BAH HYDRAULIC MOTOR
LS502569	DUO CARBIDE SKID W/PLATE
LS502569B1	MOUNTING PLATE
LS502570	DR BAH SKID SHOE & PLATE ASSY.
LS502570A	BAH CARBIDE RUNNER, 2PC SET
LS502570B	MOUNTING PLATE
LS502573	HYDRAULIC HOSE ASSEMBLY
LS502574	HYDRAULIC HOSE ASSEMBLY
LS502580	MOTOR MOUNT WELDMENT
LS502581	RH BAH CONTROL ARM WELDMENT
LS502583	RH PIVOT SHAFT WELDMENT
LS502583E	STUB SHAFT MOUNT
LS502584	LH PIVOT SHAFT WELDMENT

## TYMCO

LS502609	BAH CURTAIN SET W/HARDWARE
LS502619	HYDRAULIC G. BROOM MOTOR
LS502639	BAH PUH BROOM REPLACEMENT KIT
LS502665	WATER HOSE ASSY., 1/4" x 36"
LS502691	HAND HOSE TUBE ASSEMBLY, 6"
LS502778	HIGH/LOW WASHDOWN ASSEMBLY
LS502810	BAH GAS PTO HSG./BEARING ASSY.
LS502851	SHEAVE ASSEMBLY W/BUSHING
LS502852	MUFFLER, JD4039T & 4045T
LS502866	HYDRAULIC HOSE, 1/2" x 104"
LS502883	BLAST ORIFICE WELDMENT
LS502913	HOPPER ASSEMBLY
LS502915	CENTER DEBRIS DEFLECTOR ASSY.
LS502938	BULKHEAD DELUGE FTG. ASSY., 2" NPT
LS502973	WATER PUMP ONLY(CAT 290)
LS502984	PRESSURE CHAMBER WEAR KIT
LS503001	UPSTOP KIT
LS503006	HYDRAULIC PUMP
LS503008	GEAR DRIVEN PUMP
LS503013	RELIEF VALVE
LS503014	CHECK VALVE
LS503015	FLOW DIVIDER CARTRIDGE ONLY
LS503021	UPSTOP WELDMENT
LS503027	BYPASS VALVE-VICKERS W/O COIL
LS503116	HYD. HOSE ASSY., 1/4" x 204.876"
LS503117	HYD. HOSE ASSY., 1/4" x 160.00"
LS503128	SEPARATOR MOUNT WELD. PIN
LS503130	WATER STRAINER ASSY., 1" FPT
LS503138	INSP/HAND HOSE DOOR WELD.
LS503142	HOPPER SUCTION TUBE WELD.
LS503226	DUCT/DIVERter WELDMENT-L.A.N
LS503227	AIR ADJUSTER LOWER GATE ASSY.
LS503228	GATE ADJUSTER LAN KNOB ASSY.
LS503233	REMOVABLE PRESSURE LID ASSY.
LS503234	CURTAIN SET W/HARDWARE
LS503256	HYD. BRAKES LPB ROD ASSY., IH
LS503268	PRESSURE CHAMBER WEAR KIT
LS503272	SUCTION NOZZLE LINER KIT
LS503313	CYLINDER

## TYMCO

LS503329	HDW. KIT FOR MOUNTING G. BROOM
LS503332	INSPECTOR DOOR FRAME WELD.
LS503356	CURTAIN SET
LS503357	CURTAIN SET
LS503359	BEARING SPACER ADAPTER KIT
LS503360	G.B. CYL. ALL MODEL SAE PORT
LS503360SK	SEAL KIT FOR 503360 CYLINDER
LS503362	P.U.H LIFT CYLINDER, SAE PORTS
LS503364	DUMP DOOR/P.U.H CYL., SAE PORTS
LS503372	DUMP DOOR CYLINDER, SAE PORT
LS503374	G.B. TILT CYLINDER, SAE PORTS
LS503383	CENTER SCREEN
LS503384	HOPPER SIDE SCREEN
LS503385	SLIDE OUT SCREEN LATCH ASSY.
LS503411	BAH HEAD WATER SYSTEM PARTS
LS503432	RH G. BROOM MOUNTING WELD.
LS503433	LH G.B. SHOULDER PLATE WELD.
LS503441	LOCK VALVE WITH WIRE HARNESS
LS503455	HYDRAULIC HOSE ASSY., 1/4" x 27"
LS503480	PRESSURE TRANS.WELDMENT
LS503541	HI VOLUME SKIMMER SCOOP
LS503651	AUX. HAND HOSE ASSY./KIT, 6"
LS503690	LH DRAG LINK MOUNTING WELD.
LS503691	RH DRAG LINK MOUNTING WELD.
LS503737	FASTENER SET
LS503764	HOSE ASSEMBLY
LS503769	HYDRAULIC HOSE, 1/4" x 100"
LS503782	SCREEN WELDMENT
LS503796	HYDRAULIC PUMP
LS503838	BROOM TILT SWITCH
LS503839	PICKUP HEAD SWITCH
LS503840	ENGINE RPM SWITCH
LS503842	GUTTER BROOM SWITCH
LS503843	BAH SWITCH
LS503845	BROOM WATER SWITCH
LS503846	BROOM LIGHT SWITCH
LS503847	WARNING LIGHTS SWITCH
LS503848	WATER SYSTEM SWITCH
LS503849	HOPPER WATER SWITCH, SPST

THESE ARE OUR MOST POPULAR REPLACEMENT PARTS • MANY MORE PARTS AVAILABLE – JUST ASK!



## TYMCO

LS503850	H/O WATER SWITCH, SPST
LS503851	HEAD WATER SWITCH
LS503852	PICK-UP HEAD SWITCH
LS503853	SWITCH
LS503855	AUXILIARY HYDRAULIC SWITCH
LS503856	WORK LIGHT SWITCH
LS503884	PICK UP HEAD DOLLY ASSEMBLY
LS503899	CURTAIN SET W/HARDWARE
LS503908	SEP. CABLE/HANDLE W/CATCH, 98"
LS504009	BOOM SWITCH
LS504018	LH G. BROOM MOUNTING PLATE
LS504110	PICKUP HEAD TRANSITION
LS504120	DUMP CYLINDER (PIGGY BACK)
LS504139	REAR BUMPER, ISUZU
LS504141	FRAME ASSY./CROSSMEMBER
LS504161	COATED BLOWER KIT
LS504177	HD GUTTER BROOM NUT COVER
LS504185	PIN EYE MOUNT PLATE
LS504212	HYDRAULIC HOSE ASSY., 1/2"
LS504213	HYDRAULIC HOSE ASSY., 1/2"
LS504214	HYDRAULIC HOSE ASSY., 1/2"-18"
LS504215	HYDRAULIC HOSE ASSY., 1/2"-18"
LS504217	BAH BARE PICKUP HEAD
LS504217ASSY	BAH BARE P.U. HEAD SUB-ASSY.
LS504235	ABRASION PROTECTION KIT
LS504241	BLOWER HOUSING TRANSITION
LS504242	BLOWER HOUSING
LS5042421	BLOWER HOUSING W/LINER ASSY.
LS504242KIT	BLOWER HOUSING LINER KIT
LS504243	BLOWER HSG. & TRANSITION KIT
LS504348	ALIGNMENT BOLT
LS504354	CTR. DEFLECTOR ASSY. W/MOUNTS
LS504377	G.B. HAND WELD (MOTOR BRACKET)
LS504459	VICKERS COIL, 12 VDC
LS504471	UPPER SAFETY PROP
LS504472	LOWER SAFETY PROP
LS504473	DEFLECTOR ASSEMBLY
LS504490	BLOWER HOUSING COVER
LS504491	COATED IMPELLER BLOWER KIT

## TYMCO

LS5044912	SRE BLOWER KIT
LS504491505023	LINED BLOWER & SEPARATOR ASSEMBLY
LS504491505023S	LINED BLOWER & SEPARATOR ASSEMBLY
LS504491SS	BLOWER KIT W/SS HOUSING
LS504503	STD DOUBLE DUO SKID WELD.
LS504523	BAH DOUBLE DUO SKID WELD.
LS504533	SLIP YOKE ASSEMBLY
LS504559	TRANSITION W/LEAF BLEEDER
LS504622	SINGLE CONTROL VALVE ASSY.
LS504669	RELAY SOCKET W/WIRES
LS504778	6 STATION/4 VALVE ASSY., NO TILT
LS504792	PUMP
LS504805	FENDER, 99 & UP FORD
LS504806	SPRAY GUN ASSEMBLY
LS504815	36" LANCE EXT ASSEMBLY
LS504833	JUMPER/PIGTAIL WIRE HARNESS
LS504887	RH GUTTER BROOM ASSEMBLY, POLY WAFER .15-DEG.
LS504899	SRE COATED SUCTION TRANSITION
LS504930	WATER MANIFOLD ASSEMBLY, CAT PUMP STD
LS504955	DUST BOX BOLT-ON INLET

**FINALLY GET  
THE SERVICE  
YOU DESERVE!**

Local provides reliable parts and great service at affordable prices. That's what has kept us in business FOR OVER FORTY YEARS.

## TYMCO

LS504956	DC PRESS. TUBE WELD, 8" PORT
LS504991	SEPARATOR W/SKIMMER
LS504992	RUBBER LINED SEPARATOR
LS504993	ABRASION PROTECTION KIT
LS505007	MUFFLER MOUNT WELDMENT
LS505020	SEPARATOR W/SEAL
LS505021	RUBBER LINED SEPARATOR W/SEAL
LS505022	UNLINED SEPARATOR KIT
LS505023	LINED SEPARATOR KIT
LS505026	BUMPER EXTENSION WELDMENT
LS505041	DCII DUSTLESS MODE SWITCH
LS505050	COATED VELOCITY INTENSIFIER
LS505055	BAH PICK-UP HEAD KIT
LS505055ASSY	BAH PICK-UP HEAD ASSEMBLY
LS505101	SEPARATOR KIT
LS505139	DIRT HOPPER WELDMENT
LS505139ZOL	LH SCREEN ROLLER TRACK
LS505139ZOR	RH SCREEN ROLLER TRACK
LS505147	PIN WELDMENT
LS505148	DUMP CYLINDER
LS505149	SKIMMER HOOD WELDMENT
LS505150	DUMP DOOR WELDMENT
LS505161	SCREEN WELDMENT
LS505162	SCREEN ARM/SHAFT WELDMENT
LS505163	SCREEN HANDLE WELDMENT
LS505166	SUCTION TUBE WELDMENT
LS505167	SUCTION ADAPTER WELDMENT
LS505171	GRIPPER PLUG, 4" DIA.
LS505172	GUTTER BROOM SEQUENCE VALVE
LS505202	SRE BLOWER HOUSING WELD.
LS505203	HOPPER DRAIN WELDMENT
LS505208	HOPPER ASSEMBLY
LS505211	CONTROL VALVE RELIEF/FLOW
LS505213	DUST SEPARATOR HINGE WELD.
LS505214	HI-CAPACITY SEPARATOR ASSY.
LS505215SS	SPRAY BAR, SS
LS505254I	LARGE TAPPED BOSS, 3/8 - 16
LS505254J	SMALL TAPPED BOSS, 3/8 - 16
LS505254K	TAPPED BOSS, 1/2 - 13

START SAVING TODAY! CONTACT LACAL BY PHONE 800-543-6161 or EMAIL SALES@LACAL.COM

ALL PARTS ARE GUARANTEED TO MEET WITH YOUR APPROVAL. Local Equipment, Inc. offers after-market parts for road and highway maintenance equipment. All original equipment manufacturer's names, drawings, colors and part numbers are used for identification purposes only. Local is in no way implying that any of our products are original equipment parts.

START SAVING TODAY! CONTACT LACAL BY PHONE 800-543-6161 or EMAIL SALES@LACAL.COM

ALL PARTS ARE GUARANTEED TO MEET WITH YOUR APPROVAL. Local Equipment, Inc. offers after-market parts for road and highway maintenance equipment. All original equipment manufacturer's names, drawings, colors and part numbers are used for identification purposes only. Local is in no way implying that any of our products are original equipment parts.



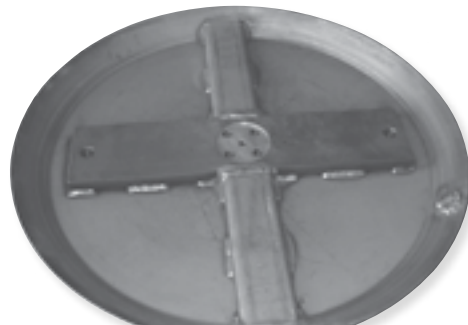
THESE ARE OUR MOST POPULAR REPLACEMENT PARTS • MANY MORE PARTS AVAILABLE – JUST ASK!

# MOWER DISH PANS, STUMP JUMPERS & DITCHER DISCS



**TOP  
SELLER**

LM06700002 FOR TIGER  
Blade Dish With Hardware, 60"



LM02960612 FOR ALAMO  
Stump Jumper Pan Weldment, 72"



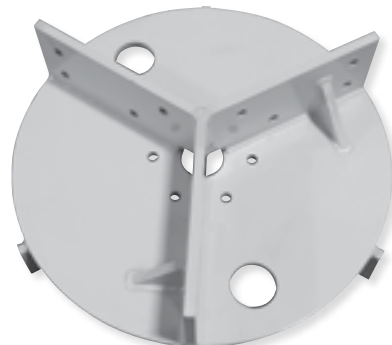
LM31327 FOR TIGER  
Side Mount Blade Dish with 5/8" Holes, 60"



LM02964804 FOR ALAMO  
Blade Pan with Spider & Hardware Kit



LM34512 FOR TIGER  
Blade Dish with 5/8" Holes, 50"



LM6T7008 FOR TIGER  
Ditcher Disc

## ALAMO/TERRAIN KING

LM02960612	STUMP JUMPER PAN WELDMENT, 72"
LM02964456	BLADE PAN WITH BLADES & HARDWARE KIT
LM02964804	BLADE PAN WITH SPIDER & HARDWARE KIT

## BUSH HOG

LM88595	BLADE DISH PAN
---------	----------------

## DIAMOND

LM240002	NEW STYLE 50" DISH, 1-5/8"
LM240085	TRI-HEX DISH, 50"

## TIGER

LM06700001	BLADE MOUNT DISH WITH HARDWARE, 50"
LM06700002	BLADE DISH WITH HARDWARE, 60"
LM31325	LIGHTENED BLADE DISH WITH 5/8" HOLES, 60"
LM31326	BLADE DISH WITH 5/8" HOLES, 50"
LM31327	SIDE MOUNT BLADE DISH WITH 5/8" HOLES, 60"
LM3132712	BLADE DISH WITH 5/8" HOLES, 60", WITH 12 BLADE BOLT HOLES

## TIGER

LM33711	BLADE DISH WITH 5/8" HOLES, 50"
LM34512	BLADE DISH WITH 5/8" HOLES, 50"
LM34512SP	BLADE DISH WITH 3/4" HOLES, 50"
LM34875	BLADE DISH, 50"
LM34876	BLADE DISH WITH HARDWARE, 60"
LM6T1020RD	BLADE DISH WITH 1/2" HOLES, 60"
LM6T1020RD5	SIDE MOUNT BLADE DISH WITH 5/8" HOLES, 60"
LM6T1020TB	BLADE DISH WITH 1/2" HOLES, 50"
LM6T1020TB5	BLADE DISH WITH 5/8" HOLES, 50"
LM6T7008	DITCHER DISC
LM6T7008R	DITCHER DISC (REVERSE)
LMTB1109	LIGHTENED BLADE PAN WITH 1/2" HOLES, 60"

## TERRAIN KING

LM02875400	STD. ROTATION DITCHER DISK
------------	----------------------------

## WOODS

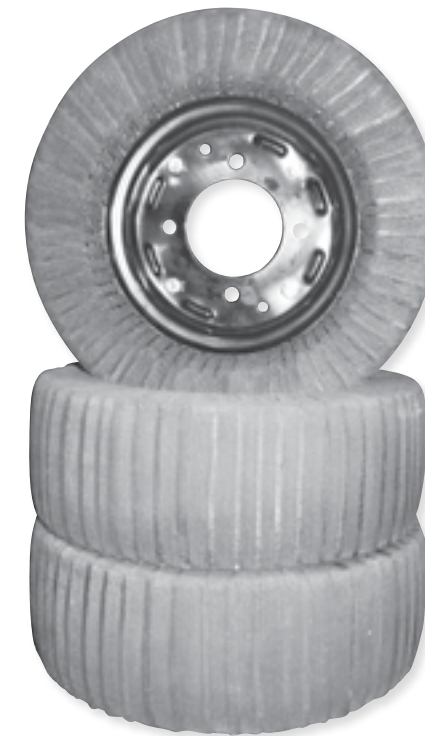
LM12785	STUMP JUMPER
LM57060	STUMP JUMPER

START SAVING TODAY! CONTACT LACAL BY PHONE 800-543-6161 or EMAIL SALES@LACAL.COM

ALL PARTS ARE GUARANTEED TO MEET WITH YOUR APPROVAL. Local Equipment, Inc. offers after-market parts for road and highway maintenance equipment. All original equipment manufacturer's names, drawings, colors and part numbers are used for identification purposes only. Local is in no way implying that any of our products are original equipment parts.

THESE ARE OUR MOST POPULAR REPLACEMENT PARTS • MANY MORE PARTS AVAILABLE – JUST ASK!

# MOWER REPLACEMENT TIRES



## LAMINATED TIRES

- 14" with 4-bolt mount
- 15" with 4-bolt mount
- 21" with 4-bolt mount & tread pattern
- 21" with 5-bolt mount & tread pattern
- 26" with 5-bolt mount & tread pattern

## AIRCRAFT TIRES

- Used and recapped aircraft tires are perfect for your mowing needs.
- Offered in a wide variety of sizes.
- Choose air-filled or foam-filled.
- Tubes and rims are also available.

*All tires sold by Lecal Equipment are for non-highway use only. All serial numbers have been removed.*

*If You Mow, You Know...*  
**IT'S EASY TO SAVE BIG BUCKS WITH US!**

**All Lecal mower blades and replacement parts are guaranteed for fit and performance.**

*Plus, we keep most connection hardware for our parts inventory in stock. We offer one-stop convenience at an everyday low price.*

**Get a free quote** and see how much you can save with Lecal Equipment.



START SAVING TODAY! CONTACT LACAL BY PHONE 800-543-6161 or EMAIL SALES@LACAL.COM

ALL PARTS ARE GUARANTEED TO MEET WITH YOUR APPROVAL. Local Equipment, Inc. offers after-market parts for road and highway maintenance equipment. All original equipment manufacturer's names, drawings, colors and part numbers are used for identification purposes only. Local is in no way implying that any of our products are original equipment parts.





THESE ARE OUR MOST POPULAR REPLACEMENT PARTS • MANY MORE PARTS AVAILABLE – JUST ASK!



**BUSH HOG**

LM02978564	BLADE SET (2 x LM11150)
LM02978565	BLADE SET (2 x LM7555)
LM1007	SEAL
LM11150	BLADE
LM12031	HOSE HOLDER ROD
LM121BH	HUB CAP
LM12250	BEARING
LM12263	SPACER
LM12268	HUB ASSEMBLY
LM1259	BLADE BOLT
LM143249	CLEVIS PIN WELDMENT
LM146243	DUST CAP
LM15183BH	SLT HEX NUT, 5/8 NFCP
LM15675	COTTER PIN, 5/32 x 1-1/2 ZP
LM20748	FLAT WASHER, 5/8
LM252	HEX JAM NUT, PLAIN
LM253	LOCK WASHER
LM253G8	LOCK WASHER, 1-1/8" GR 8, PLAIN
LM2850005	KLIK PIN, 7/16 x 1-3/4
LM36	BLADE
LM44928BH	#3 HD PLOW BOLT, 3/8
LM449BH	LUBE FITTING, 1/4"
LM462	BLADE
LM463	BLADE
LM464	BLADE
LM50015063	HYD. HOSE ASSEMBLY, 196"
LM50018334	TURNBUCKLE PIN
LM50024743	BRACKET WELDMENT
LM50028461	PIVOT PIN, 1.50 x 7.50
LM50028509	ROD WELD
LM50029827	RH INSIDE CHAIN BAFFLE
LM50029829	RH OUTSIDE CHAIN BAFFLE
LM50029830	LH INSIDE CHAIN BAFFLE
LM50029832	LH OUTSIDE CHAIN BAFFLE
LM50031073	PAN WELDMENT
LM50031385	SKID
LM50035756	BEARING REPAIR KIT
LM50040099	LH FRONT WING SKID SHOE
LM50040101	LH REAR WING SKID SHOE

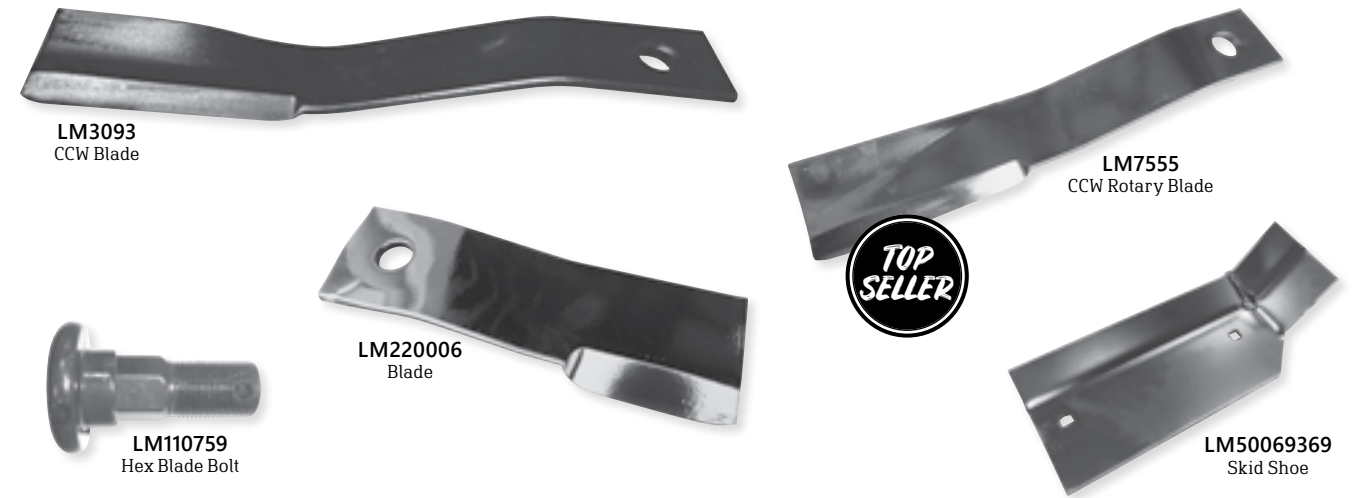
**BUSH HOG**

LM50040103	RH FRONT WING SKID SHOE
LM50040105	RH REAR WING SKID SHOE
LM50040379	WING SKID
LM50040387	REMOVABLE FRONT
LM50040389	REAR SKID
LM50040390	REMOVABLE SKID
LM50040392	REMOVABLE SKID
LM50040393	RH REMOVABLE SKID
LM50040394	LH REMOVABLE SKID
LM50047270	TURNBUCKLE ASSEMBLY
LM50050342	YOKE
LM50050388	PIVOT ARM WELDMENT
LM50050395	YOKE BUSHING
LM50050406	CHAIN, 6 LINK
LM50050520	BUSHING
LM50050555	BUSHING
LM50050587	FRONT SKID SHOE
LM50050588	REAR SKID SHOE
LM50054452	REAR SKID, RH
LM50054545	CCW BLADE, 21.25"
LM50054546	CW BLADE, 21.25"
LM50055486	PIN WELDMENT
LM50057117	PAN WELDMENT, 6-FT
LM50062245	DOUBLE LIP SEAL
LM50068116	OIL SEAL
LM50068272	BLADE
LM50068273	BLADE
LM50069244	SKID SHOE
LM50069369	SKID SHOE
LM50069371	SKID SHOE
LM50069372	SKID SHOE
LM50069374	SKID SHOE
LM50069798	WING PAN ASSEMBLY
LM50069839	FORK WELDMENT
LM50070057	LH PIVOT ARM
LM50070059	RH PIVOT ARM
LM50070145	CHAIN ASSEMBLY
LM50070146	CHAIN ASSEMBLY
LM50070514	SKID SHOE

**BUSH HOG**

LM50072057	ENHANCE MODULE
LM50072529	PAN
LM50073119	SINGLE SPINDLE
LM50074724	DUAL LED AG LAMP, RIGHT SIDE
LM50074861	LH S.R. CHAIN GUARD
LM50074867	RH S.R. CHAIN GUARD
LM50075401	LAMINATED TIRE/WHEEL, 25" DIA.
LM50076475	BLADE BOLT KIT
LM50076524	RH SKID SHOE
LM50076525	LH SKID SHOE
LM50076631	BLADE
LM50076632	BLADE
LM50076705	BLADE BOLT
LM50079	HUB W/CUPS
LM50080681	CLEVIS WELDMENT
LM501001	BLADE MOUNTING KIT (2 x BOLT, NUT, LOCK WASHER)
LM6126BH	BLADE PAN ASSEMBLY
LM61675	OUTPUT SHAFT KIT
LM62492	SHIM SMALL GEAR
LM62774	HYDRAULIC HOSE ASSEMBLY
LM63605	BLADE BOLT KIT
LM63607	BOLT KIT (2 x BOLT, NUT, LOCK WASHER)
LM63760	BLADE, 4-FT
LM63968	BLADE
LM66501	CENTER BLADE PAN WELDMENT
LM66516	BLADE BOLT KIT
LM67304	LINING KIT (2 x LINING, 8 x SPRING)
LM67318	RH WING SKID SHOE
LM6739	FLAT BLADE
LM67743	BLADE
LM68277	BLADE BAR WELDMENT
LM69900	CASTER SHAFT WELDMENT
LM70076	NUT
LM70077	WASHER
LM7278	BLADE
LM7555	CCW ROTARY BLADE, 24.75" OAL
LM7556	ROTARY BLADE

THESE ARE OUR MOST POPULAR REPLACEMENT PARTS • MANY MORE PARTS AVAILABLE – JUST ASK!



**BUSH HOG**

LM7557	BLADE
LM76080	CLUTCH ASSEMBLY SPRING
LM76085	INNER PLATE
LM76802	COMPLETE COLLAR YOKE
LM76990	DRIVELINE ASSEMBLY, 1-3/4"-20
LM7828	BLADE
LM7829	BLADE
LM7919	BLADE BOLT
LM7967	SEAL
LM81395	ROTARY CUTTER BLADE
LM83273	GROUND ROLLER, 90"
LM86664	CCW ROTARY BLADE
LM86665	CW ROTARY BLADE
LM86811	SKID SHOE
LM86811WHD	SKID SHOE W/HARDWARE
LM88002	BLADE PAN
LM88595	BLADE DISH PAN
LM90	LOWER HOUSING ASSEMBLY
LM90014	CW BLADE
LM90015	CCW ROTARY BLADE
LM90242	BLADE
LM90699	V-BELT
LM91036	BLADE
LM91061	SPACER
LM91062	SPACER, CAT.2STD.
LM91064BH	PIN WELDMENT
LM92	BEARING CONE
LM92007	AXLE TUBE
LM92973	CLEVIS WELDMENT
LM93BH	TAPERED CUP
LM94284	PIN WELDMENT
LM94299	MOWER MOUNT, 60"
LM94489	CASTER FORK
LM96853	SKID SHOE KIT
LM97032BH	HIGH LIFT BLADE
LM97034BH	HIGH LIFT BLADE
LMBH2500	BOLT KIT

**BUSH-WHACKER**

LM1703	CROSS KIT COMPLETE
LM20739	BLADE
LM2201	RH SKID SHOE
LM2202	LH SKID SHOE
LM2320	LEVELING ROD
LM2343	SHOE
LM2414	BLADE BOLT
LM2448	HUB ASSEMBLY
LM2456	CAP
LM2735	OIL SEAL
LM2758	GEAR BOX
LM3039	SKID SHOE
LM3093	CCW BLADE
LM3094	CW BLADE
LM3095	HEX BLADE BOLT
LM3096	WASHER
LM3172	BLADE
LM3174	BAR W/PAN (STUMP JUMPER)
LM3202	BLADE
LM3203	BLADE
LM3257	CCW BLADE, 7-FT
LM3454	BIG SPRING
LM3502BW	CENTER SKID SHOE
LM4005	DRIVE SHAFT
LM4015	SHIELD ASSEMBLY
LM4143	SMALL SPRING
LM4460	PLUNGER
LM509	SPACER
LM5108	LH OR RH WING SKID SHOE
LM51568	BLADE
LM5452	CV SHAFT
LM5472	SHIELD ASSEMBLY
LMBW5172	STUMP JUMPER - ST120/ST180

**PART NOT LISTED? WE HAVE HUNDREDS OF ADDITIONAL PARTS AVAILABLE FOR YOUR MACHINE. CALL 800.543-6161 TODAY!**

**CAP**

LM355002C	CUTTER SHAFT, 74"
LM55002A1	CUTTER SHAFT, 62"
LM55005C	GROUND ROLLER, 42"
LM555161	CUTTER SHAFT, 88"
LM555162	CUTTER SHAFT, 100"
LM555182	GROUND ROLLER, 100"

**DIAMOND**

LM06501022	CYLINDER, 4" x 20"
LM100059	STD CUTTER SHAFT BEARING
LM101004	BUSHING
LM110506	BOLT FLAIL CLEVIS, 7/16", 3-1/4
LM110525	5/8 x 2-1/2 H.S. NF HEX CAP
LM110570	1/2-13 x 1-1/4 GR5 HEX CAP, ZINC
LM110757	BOLT, 1" x 3-1/2" SPECIAL
LM110759	HEX BLADE BOLT
LM111050	HEX NUT, GR 8, SLOTTED
LM120007	DOUBLE 530 V-BELT
LM120009	DOUBLE 630 V-BELT
LM220006	BLADE
LM220010	BLADE
LM220010C	HEAVY BLADE, 3/4"
LM221016	HD FLAIL KNIFE
LM221017	HD FLAIL KNIFE, GRASS OR BRUSH
LM221021	FLUSH CUT BLADE
LM240002	NEW STYLE DISH, 50", 1-5/8"
LM240004	BOLT PROTECTOR, 5/8"
LM240007	SEAL PROTECTOR RING
LM240082	TENSION ARM, 3/4" MOUNT HOLE
LM240085	TRI-HEX DISH, 50"
LM240086	D3 DISK, 60"
LM330003	HD SEAL
LM330005	SEAL, COVER TO BODY LARGE
LM330015	SEAL KIT FOR COVER COUPLING
LM340032	REAR FLAIL IDLER ARM SPACER
LM340048	HD BUSHING, 1-1/4 I.D. x 1-3/4 O.D. x 1
LM350008	GROUND ROLLER STUB SHAFT

START SAVING TODAY! CONTACT LACAL BY PHONE 800-543-6161 or EMAIL SALES@LACAL.COM

ALL PARTS ARE GUARANTEED TO MEET WITH YOUR APPROVAL. Local Equipment, Inc. offers after-market parts for road and highway maintenance equipment. All original equipment manufacturer's names, drawings, colors and part numbers are used for identification purposes only. Local is in no way implying that any of our products are original equipment parts.

START SAVING TODAY! CONTACT LACAL BY PHONE 800-543-6161 or EMAIL SALES@LACAL.COM

ALL PARTS ARE GUARANTEED TO MEET WITH YOUR APPROVAL. Local Equipment, Inc. offers after-market parts for road and highway maintenance equipment. All original equipment manufacturer's names, drawings, colors and part numbers are used for identification purposes only. Local is in no way implying that any of our products are original equipment parts.

THESE ARE OUR MOST POPULAR REPLACEMENT PARTS • MANY MORE PARTS AVAILABLE – JUST ASK!



**DIAMOND**

LM350021	SPINDLE HOUSING
LM350060	STUB SHAFT, 3-1/8"
LM350088	SPINDLE ASSEMBLY
LM370004	COVER COUPLING
LM390517	SOLENOID BLOCK
LM410250	DITCHER WEAR PLATE
LM420015	SKID SHOE INNER FLAIL
LM420034	SKID
LM420035	SKID
LM420059	SKID SHOE, 50"
LM440228	BLADE KIT
LM440734	HARDWARE KIT
LM460014	GROUND ROLLER, 60"
LM460018	BEARING GUARD
LM460024	HD CUTTER SHAFT, 50"
LM461010	CUTTER SHAFT, 75", 3/16" HD KNIVES
LM461010W	CUTTER SHAFT, 75"
LM461017	HD GRASS CUTTER SHAFT, 50"
LM770056	WEAR PAD W/INSERT
LMX131016	OUTPUT SHAFT, 13" END TO END

**EDWARDS**

LMHM167	BLADE MOUNTING BAR
LMHMB2171	HD EDWARDS BLADE
LMHMB217FM	STD FLAIL BLADE
LMHMB2226B	GROUND ROLLER, 60"
LMHMB222772	GROUND ROLLER, 72"
LMHMB2228	GROUND ROLLER, 84"
LMHMB267	SKID SHOE
LMHMB815	CLEVIS
LMHMB9041	CLEVIS PIN
LMHMB9371	BEARING

**PART NOT LISTED? WE HAVE HUNDREDS OF ADDITIONAL PARTS AVAILABLE FOR YOUR MACHINE. CALL 800.543-6161 TODAY!**

**HARDEE**

LM10354	OUTPUT SHAFT SEAL
LM10421	UPLIFT BLADE, 6-FT DECK
LM10684	GEAR
LM11204	SLIP CLUTCH DISC
LM1409189001	INPUT SHAFT, RC-80 / 81
LM15436	BLADE
LM15437H	BOLT
LM15438H	LOCK WASHER, ROLL PIN, NUT
LM15608	OUTPUT SHAFT FOR RC61 OMNI GEARBOX
LM15706	SHIM
LM15714	INPUT SHAFT
LM15732	SHIM, .010MM THICK
LM20005	TAIL WHEEL FORK WELDMENT
LM20202	LH A-FRAME
LM20337	REPLACEABLE SHOE, T 972 LT
LM21352	SPACER
LM23434	PIN WELDMENT
LM25117	BUSHING
LMC1256	LH BLADE
LMC1257	RH BLADE
LMC48	BLADE MOUNTING BOLT
LMC49ND	BLADE
LMMMS146	SKID SHOE

**JOHN DEERE**

LM10H1166	PLOW BOLT, 5/16 x 1"
LM191108	BLADE
LM210309	DECK WHEEL KIT
LM24M7243	WASHER
LM331770	BLADE
LM362402	TOOTHED BLADE
LM396730	GATOR MULCHER BLADE, G6
LM396734	GATOR MULCHER BLADE, G6
LM90309	BLADE
LM90354	BLADE
LM91078	BLADE
LM91079	BLADE
LM91380	BLADE

**JOHN DEERE**

LM91389	BLADE
LM91394	BLADE
LM91395	BLADE
LM91488	BLADE
LM92113	BLADE
LM92114	BLADE
LM92120	BLADE
LM96811	GATOR BLADE
LMAE29309	BEARING ASSEMBLY
LMAL161280	HOUSING
LMAN182561	BEARING, 2-BOLT, 1-1/4"
LMA39688	ROLLER FOR JD 370
LMAW27782	CENTER SKID SHOE
LMAW28264	HANGER
LMAW28884	GUIDE
LME31900	CUP KNIFE
LME31903	D-RING TO MOUNT FLAIL BLADE
LME31905	U-BAR TO MOUNT BLADE
LME51728	V-BELT
LMFH329908	CCW BLADE
LMFH329909	CCW SUCTION BLADE
LMFH332455	RH SKID
LMFH332456	LH SKID
LMFH332984	BLADE
LMFH333110	LH SKID SHOE
LMFH333355	RH SKID SHOE
LMH29619	COLLAR LOCK-NUT, GR "C", ZINC
LMJD10387	CUTTERSCHAFT BEARING W/O HSG.
LML101271	LOCK PLATE
LML153830	AXLE
LMN115853	BOLT EYE
LMP57925	D-RING
LMP57926	CLIP U-BAR
LMP57928	FLAIL BLADE
LMP57935	SKID SHOE FOR MODEL 390
LMP66945	CUP FLAIL BLADE
LMP74399	SKID SHOE
LMP74400	SKID SHOE
LMPT10430	TOOTH WITH SHANK

START SAVING TODAY! CONTACT LACAL BY PHONE 800-543-6161 or EMAIL SALES@LACAL.COM

ALL PARTS ARE GUARANTEED TO MEET WITH YOUR APPROVAL. Local Equipment, Inc. offers after-market parts for road and highway maintenance equipment. All original equipment manufacturer's names, drawings, colors and part numbers are used for identification purposes only. Local is in no way implying that any of our products are original equipment parts.

THESE ARE OUR MOST POPULAR REPLACEMENT PARTS • MANY MORE PARTS AVAILABLE – JUST ASK!



**JOHN DEERE**

LMR123438	V-BELT
LMR536698	FUEL FILTER
LMR74012	O RING
LMRE505264	IDLER FAN PULLEY
LMTCU14939	BLADE
LMTIFC711124	BOLT KIT
LMTK290	BUCKET TOOTH PIN
LMW22237	BLADE BOLT
LMW34290	BLADE
LMW38054	BLADE BOLT
LMW38616	STRAP
LMW38627	BLADE WASHER
LMW38686	BLADE BOLT
LMW39200	BLADE
LMW41994	SKID SHOE
LMW43040	BLADE
LMW43048	MOWER BLADE
LMW43465	BLADE
LMW43466	BLADE
LMW43490	EYE BOLT PIN
LMW43593	BLADE
LMW44736	BOLT
LMW44737	SPACER
LMW45313	HITCH PIN
LMW45326	CW SUCTION BLADE
LMW45327	CCW SUCTION BLADE
LMW45401	SKID
LMW45882	RH WING SKID SHOE
LMW45883	LH WING SKID SHOE
LMW46955	SKID SHOE, CAST
LMW48577	CCW SUCTION BLADE
LMW48578	BLADE
LMW50191	BLADE
LMW50192	BLADE
LMW52742	BLADE

**KING KUTTER**

LM190124	ROTARY BLADE, 60" CUT
LM190130	ROTARY BLADE, 72" CUT

**KING KUTTER**

LM501002	BOLT KIT (2 x BOLT, NUT & LOCK WASHER)
LM501124	BLADE SET (2 x LM190124)
LM501130	BLADE SET (2 x LM190130)
LM502020	TIRE/WHEEL W/AXLE BOLT
LM502300	SPINDLE ASSEMBLY
LM502311	SINGLE SPINDLE PULLEY
LM91452	LH CUT BLADE
LM91453	LH CUT BLADE

**LAND PRIDE**

LM0121710100	GEAR BOX CAP
LM1422831949821	COMER HALF FEMALE GUARD W/LABEL
LM1422871029821	COMER HALF MALE GUARDING
LM200001D	HUB GREASE CAP
LM312008S	TAIL WHEEL & HUB ASSEMBLY
LM312075D	BLADE SPACER
LM312082D	BLADE SPACER
LM312089D	BLADE SPACER
LM312602D	SKID SHOE
LM312808D	BLADE SPACER
LM312833H	GAUGE WHEEL MAIN FRAME WELD.

**LAND PRIDE**

LM315752D	RH THREAD BLADE BAR
LM31800H	LEVEL ROD SHORT
LM318064K	REAR WING CHAIN KIT
LM318319K	FRONT CENTER CHAIN KIT
LM318320K	RH FRONT CENTER CHAIN KIT
LM318321K	LH FRONT CENTER CHAIN KIT
LM318322K	RH FRONT WING CHAIN KIT
LM318586A	BOLT KIT
LM318586D	SPACER, .015" THICK
LM318628H	SKID SHOE
LM318632K	REAR CENTER CHAIN KIT
LM318633D	SIDE SKID
LM318923D	WEIGHT BOX SKID
LM326668H	TAILWHEEL WELDMENT
LM326847C	BLADE SPACER
LM330185H	FRONT SKID
LM330835D	WING SKID SHOE
LM331120H	HARDENED WING SKID SHOE
LM331203D	SKID SHOE
LM802277C	BLADE BOLT
LM816098C	SEAL
LM820090C	BLADE
LM820112C	BLADE
LM820137C	BLADE
LM820138C	BLADE
LM820168C	BLADE
LM820169C	BLADE
LM820170C	BLADE
LM820195C	CCW ROTARY BLADE
LM820196C	CW ROTARY BLADE
LM820249C	CW CUTTER BLADE, 1/2 x 4 x 29
LM820722C	CW BLADE, 1/2 x 4 x 23
LM822006C	BEARING
LM822091C	BEARING
LM826643C	PTO CV 540 RPM
LM826889C	COMPLETE DRIVE LINE
LMF3445102012	LOCKNUT
LMF5716503	SCREW M12 x 1.25 x 45
LMF5817105	DUCKFOOT BLADE

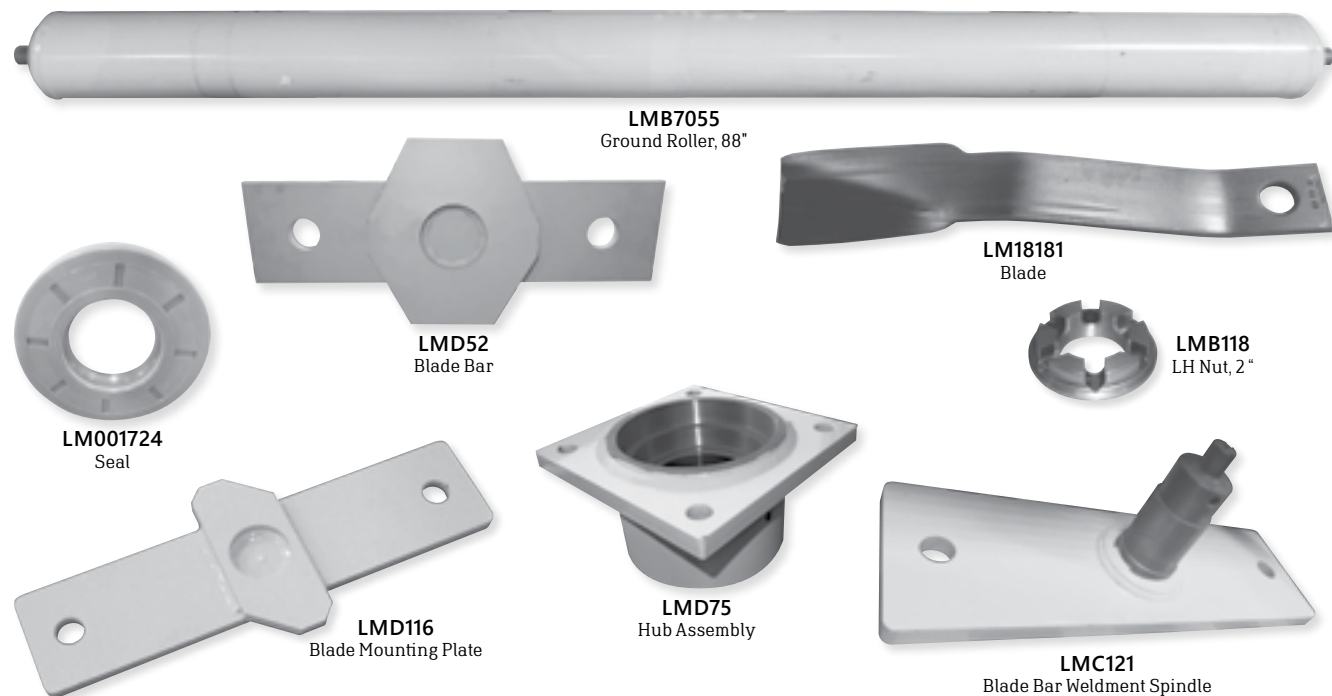
**FINALLY GET THE SERVICE YOU DESERVE!**

Local provides reliable parts and great service at affordable prices. That's what has kept us in business FOR OVER FORTY YEARS.

START SAVING TODAY! CONTACT LACAL BY PHONE 800-543-6161 or EMAIL SALES@LACAL.COM

ALL PARTS ARE GUARANTEED TO MEET WITH YOUR APPROVAL. Local Equipment, Inc. offers after-market parts for road and highway maintenance equipment. All original equipment manufacturer's names, drawings, colors and part numbers are used for identification purposes only. Local is in no way implying that any of our products are original equipment parts.

THESE ARE OUR MOST POPULAR REPLACEMENT PARTS • MANY MORE PARTS AVAILABLE – JUST ASK!



**MOHAWK**

LM1214	CW & CCW BLADE
LM15FE001L	CENTER LH SKID SHOE
LM15FE001R	CENTER RH SKID SHOE
LM15FE002	WING LH & RH SKID SHOE
LM16166	BLADE
LM18181	BLADE
LM31777	BLADE
LM50200032	GEAR BOX
LM50800029	CW BLADE
LM50800030	CCW BLADE
LM6809	BLADE BOLT BUSHING

**MOTRIM**

LMA1022	BLADE
LMA163	PLAIN HEX JAM NUT, GR 5, 1-1/2-6
LMA175	BLADE, .75" x 25" OAL
LMA2	BUSHING
LMA2262	SPROCKET, 2 KEYWAYS
LMA233	BEARING CLOSURE
LMA234	TIE DOWN NUT
LMA235	RETAINER PIN
LMA260	TAPERED ROLLER BEARING
LMA261	TAPERED ROLLER BEARING
LMA287	BLADE BOLT
LMA310	TRUNNION PIN
LMA318	RETAINING PIN
LMA320	HINGE PIN
LMA325	BUSHING
LMA351	BLADE
LMA352	BLADE
LMA363	HINGE PIN
LMA445	BLADE BOLT
LMA452S1	BLADE BOLT W/ HOLE & JAM NUT

**MOTRIM**

LMA452S2	BOLT W/ HOLE & SLOTTED NUT
LMA614	PIN
LMA7110	BLADE BOLT
LMA7112	EYEBOLT W/ NUT, ZINC
LMA7116	BEARING
LMA7120	V-BELT, "C" SECTION
LMA7123	EXTENSION SHAFT
LMA7138	PIN
LMA714	SPRING LEVER
LMA715	EYE BOLT W/ NUTS
LMA7202	BELT
LMA729	BUSHING
LMA7332	HINGE PIN
LMA859	BLADE BOLT W/ DRILLED HOLE
LMB118	NUT, 2" LH
LMB7055	GROUND ROLLER, 88"
LMB706574	RUBBER DEFLECTOR
LMB7067	GROUND ROLLER, 74"
LMC121	BLADE BAR WELDMENT SPINDLE
LMC1240	BOLT & NUT
LMC7020	RIGHT SIDE ARM
LMC7032	RIGHT ROLLER BRACKET ASSEMBLY
LMC7033	LEFT ROLLER BRACKET ASSEMBLY
LMC95	SKID
LMD116	BLADE MOUNTING PLATE
LMD117	SHAFT, 26" LONG
LMD52	BLADE BAR
LMD5319S1	BLADE BOLT & NUT SET
LMD5319S2	BOLT & NUT SET
LMD700021	BRONZE BUSHING
LMD700028	LINK PIN
LMD700030	LINK PIN

**MOTRIM**

LMD700031	LINK PIN
LMD7012	BLADE BAR
LMD7032SP	FLAIL CUTTER SHAFT
LMD70351	CUTTER SHAFT, 78"
LMD7036	CUTTER SHAFT, 78"
LMD7069	GROUND ROLLER, 88"
LMD71S1	BOLT & NUT
LMD71S2	BOLT & NUT
LMD75	HUB ASSEMBLY
LM07069	GROUND ROLLER

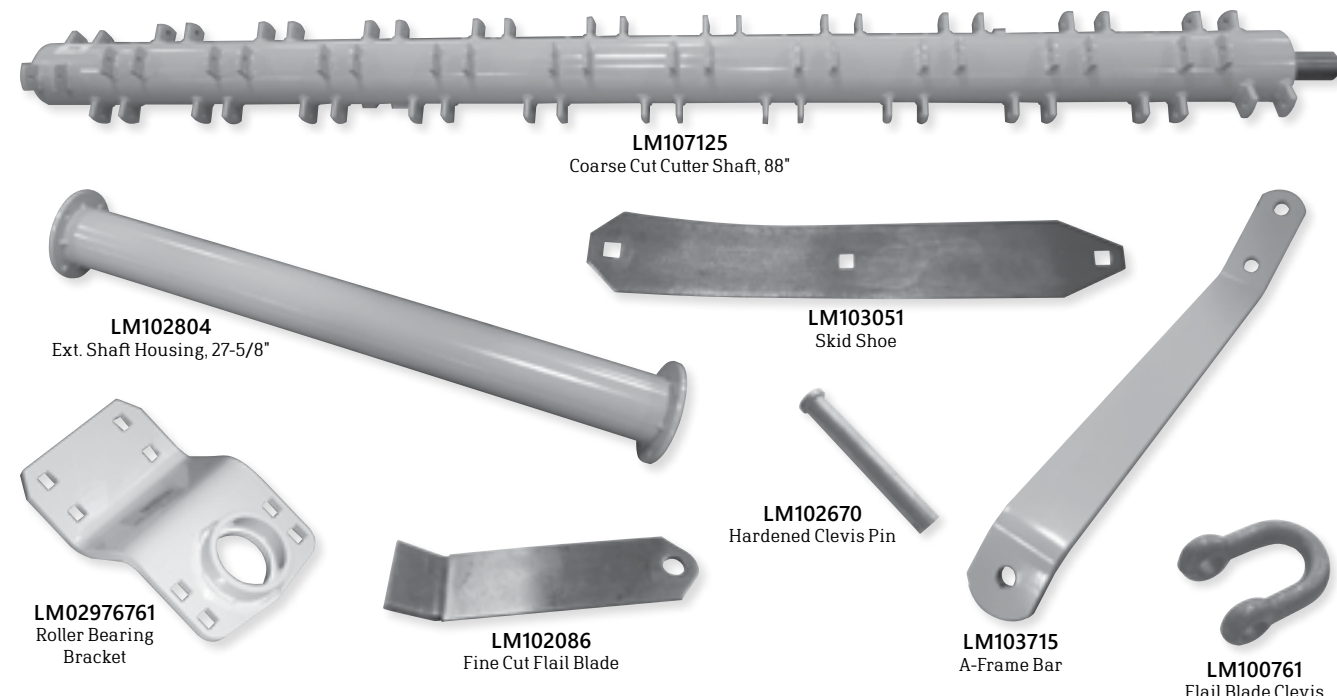
**MOTT**

LM000331	RETAINER RING
LM000398	BALL BEARING
LM000402	SNAP RING
LM000533	BELT
LM000539	TENSION SPRING
LM000547	IDLER PULLEY
LM000672	HUB, QD BUSHING
LM000673	TWO GROOVE PULLEY
LM000702	V-BELTS, MATCHED SET OF 2 PCS.
LM001007	CYLINDER PIN W/CLIP
LM001083	SWITCH
LM001092	ROLLER BEARING
LM001461	PTO CLUTCH
LM001500	FRICITION DISC
LM001718	SHAFT W/ PINION
LM001719	OUTPUT SHAFT SEAL
LM001724	SEAL
LM001767	DRIVE BELT
LM001863	PTO DRIVELINE W/ SLIP CLUTCH
LM002019	SWITCH ACTUATOR MAGNET
LM002020	SPACER

START SAVING TODAY! CONTACT LACAL BY PHONE 800-543-6161 or EMAIL SALES@LACAL.COM

ALL PARTS ARE GUARANTEED TO MEET WITH YOUR APPROVAL. Local Equipment, Inc. offers after-market parts for road and highway maintenance equipment. All original equipment manufacturer's names, drawings, colors and part numbers are used for identification purposes only. Local is in no way implying that any of our products are original equipment parts.

THESE ARE OUR MOST POPULAR REPLACEMENT PARTS • MANY MORE PARTS AVAILABLE – JUST ASK!



**MOTT**

LM002037	ROLLER BEARING NEOPRENE SEAL
LM002039	GREASE FITTING
LM002486	ROLLER BEARING, HEX BORE
LM002502	SOLENOID VALVE
LM02976761	ROLLER BEARING BRACKET
LM100010	BEVEL WASHER
LM100054	INPUT SHAFT SEAL
LM100055	OUTPUT SHAFT SEAL
LM100057	SNAP RING
LM100247	CHAIN, 5/16" EXT CHAIN x 11 LINKS
LM100287	EXTENSION SHAFT FOR #72
LM100288	EXTENSION SHAFT
LM100706	V-BELT FOR MODELS 50, 62, 74, 88 & 96

LM100721	EXT SHAFT HOUSING, 36-1/8"
LM100724	EXTENSION SHAFT FOR #88
LM100727	PULLEY IDLER ARM
LM100755	REAR DEFLECTOR W/O HARDWARE
LM100761	FLAIL BLADE CLEVIS
LM100769	LIFT CHAIN CLEVIS HALF
LM100776	EXT. SHAFT HOUSING, 29 - 9/16
LM100783	FLAP
LM101034	CLEVIS PIN
LM101735	BEARING WASHER
LM101778	IDLER BEARING SPACER
LM101780	HD WASHER, THRU-HARDENED
LM101991	D-RING
LM101993	FINE-CUT FLAIL BLADE
LM102086	FINE CUT FLAIL BLADE
LM102173	GROUND ROLLER, 74" X 3-1/2" DIA., TIE-ROD STYLE
LM102174	GROUND ROLLER, 60" X 3-1/2" DIA., TIE-ROD STYLE

**MOTT**

LM102501	EXTENSION SHAFT PULLEY
LM102565	PULLEY
LM102637	EXT. SHAFT HOUSING, 15 - 7/16
LM102651	PULLEY SHIM
LM102652	PULLEY
LM102658	OVERARM ASSEMBLY WELDMENT
LM102670	HARDENED CLEVIS PIN
LM102792	CUTTERSCHAFT BEARING
LM102804	EXT. SHAFT HOUSING, 27-5/8"
LM102874	EXT. SHAFT HOUSING, 21-5/8"
LM103051	SKID SHOE
LM103058	MOTOR BRACKET
LM103062	PIVOT PIN
LM103065	CUTTERSCHAFT PULLEY, LESS BRAKE
LM103105	IDLER PULLEY, "TRIMMED"
LM103139	LIFT CYLINDER
LM103189SP	KEY, 1/4" x 3/8" x 2" LG.
LM103389	RETURN HOSE
LM103538	BRONZE OUTER PIVOT BUSHING
LM103713	GEARBOX MOUNTING FRAME WELD.
LM103715	A-FRAME BAR
LM103716	LOWER ARM BUSHING
LM104298	GROUND ROLLER, 74" X 6" DIA., TIE-ROD STYLE
LM104299	GROUND ROLLER, 88" X 6" DIA., TIE-ROD STYLE
LM104306	SPACER
LM104682	FLAP
LM104736	LIFT CHAIN CLEVIS
LM104893	DRIVE SHAFT
LM104938	IDLER ARM WELDMENT
LM105530	EARLY CUTTER SHAFT, 62"

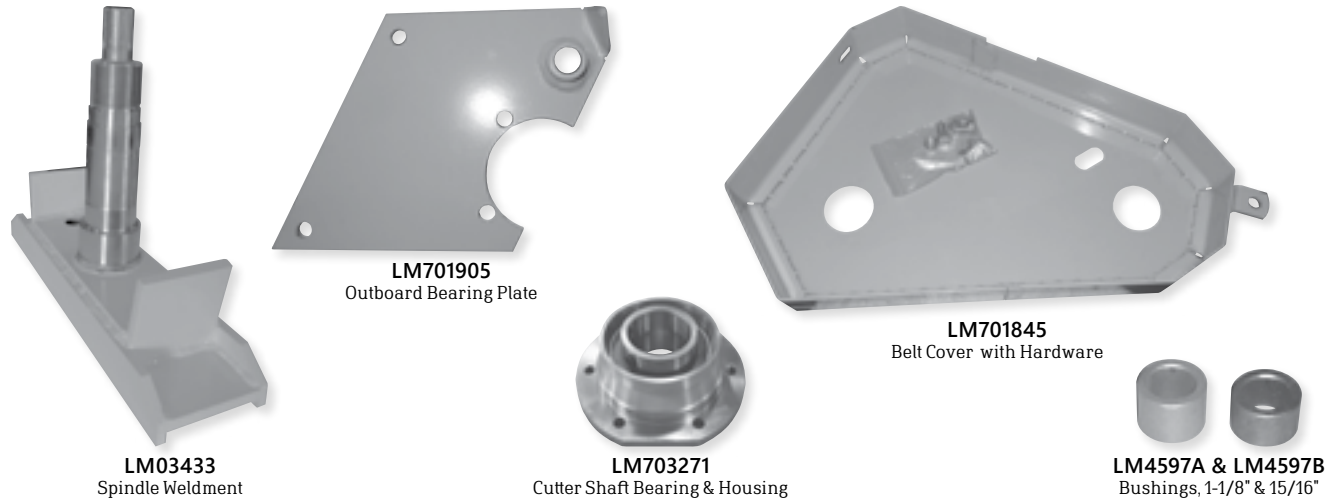
**MOTT**

LM105597	BRACKET
LM105697	ROLLER BRACKET
LM105699	SPACER
LM105700	THREADED GROUND ROLLER, 50"
LM105701	THREADED GROUND ROLLER, 62"
LM105702	THREADED GROUND ROLLER, 74"
LM105703	THREADED GROUND ROLLER, 88"
LM105761	COARSE CUT CUTTER SHAFT, 74"
LM106151	CUTTER SHAFT, 88"
LM106330	FRONT FOOT GUARD, 88"
LM106529	RH IDLER ARM
LM106743	FINE CUT CUTTER SHAFT, 48"
LM106780	FLAP
LM106781	DEFLECTOR
LM107123	COARSE CUT CUTTER SHAFT, 62"
LM107124	COARSE CUT CUTTER SHAFT, 74"
LM107125	COARSE CUT CUTTER SHAFT, 88"
LM107128	FINE CUT CUTTERSCHAFT, 74"
LM107129	FINE CUT CUTTER SHAFT, 88"
LM107176	KEYED GROUND ROLLER, 62"
LM107177	KEYED GROUND ROLLER, 74"
LM107178	KEYED GROUND ROLLER, 88"
LM107224	RH MOUNT
LM107225	MOUNT- CUT-OFF SWITCH LH
LM107255	TOE GUARD FOR INTERSTATER, 62"
LM107256	TOE GUARD FOR SHD, 74"
LM107257	TOE GUARD FOR INTERSTATER, 74"
LM107258	TOE GUARD FOR SHD, 88"
LM107340	ROLLER BEARING HOUSING
LM107390	RH FORWARD ROTATION BELT GUARD WELDMENT
LM107396	ROLLER MOUNTING BRACKET WELDMENT

START SAVING TODAY! CONTACT LACAL BY PHONE 800-543-6161 or EMAIL SALES@LACAL.COM

ALL PARTS ARE GUARANTEED TO MEET WITH YOUR APPROVAL. Local Equipment, Inc. offers after-market parts for road and highway maintenance equipment. All original equipment manufacturer's names, drawings, colors and part numbers are used for identification purposes only. Local is in no way implying that any of our products are original equipment parts.

THESE ARE OUR MOST POPULAR REPLACEMENT PARTS • MANY MORE PARTS AVAILABLE – JUST ASK!



**MOTT**

LM107745	COARSE CUT CUTTER SHAFT, 96"
LM107753	REAR TRASH DEFLECTOR, 96
LM107754	FRONT FOOT GUARD, 96" MOWER
LM107783	ROLLER END W/HEX SHAFT
LM107784	HEX GROUND ROLLER, 62"
LM107785	HEX GROUND ROLLER, 74"
LM107786	HEX GROUND ROLLER, 88"
LM107787	HEX GROUND ROLLER, 96"
LM500031	CUTTERSHAFT PULLEY, LESS BRAKE
LM700171	SPLINED COUPLER W/ ZERK
LM700488	BELT COVER W/ HARDWARE
LM700491	EXT. SHAFT BEARING/HSG. ASSY.
LM700494	IDLER ASSEMBLY
LM700496	KNIFE PACKAGE FOR H386
LM700497M	LIFT CHAIN ASSEMBLY
LM700498	REAR TRASH DEFLECTOR W/HDW.
LM700524	TRASH DEFLECTOR
LM700592	KNIFE PACKAGE
LM700616	FLAIL KIT
LM700739	BEARING HOUSING W/ ZERK
LM700883	INNER PIVOT PIN W/ GREASE ZERK
LM700886	SKID SHOE W/HARDWARE
LM700907	ROD END W/ GREASE FITTING
LM700949	LH MOWER IDLER ARM W/ZERK
LM700992	ROD END CLAMP W/ SET SCREW
LM701041	BLADE KIT
LM701043	CLEVIS KIT
LM701044	PIN KIT
LM701401	GROUND ROLLER ASSEMBLY, 74"
LM701402	GROUND ROLLER ASSEMBLY, 88"
LM701405	TIE ROD FOR 74
LM701406	TIE ROD FOR 88
LM701616	TIE ROD W/ZERK, 48"
LM701617	TIE ROD
LM701617A	TUBE
LM701618	TIE ROD WELDMENT
LM701650	DEFLECTOR
LM701780	LIFT CHAIN ASSEMBLY

**MOTT**

LM701781	LIFT CHAIN ASSEMBLY
LM701845	BELT COVER W/HARDWARE
LM701845W	BELT COVER WELDMENT
LM701851	IDLER ARM ASSEMBLY, SHD-RR
LM701905	OUTBOARD BEARING PLATE
LM702255	EXTREME SERVICE KNIFE PKG.
LM702256	KNIFE PACKAGE
LM702256A	KNIFE PACKAGE
LM702409	BEARING & HOUSING ASSEMBLY
LM702485	ROLLER BRG & HSG ASSEMBLY
LM702705	PTO SHIELD
LM702706	OUTER PIVOT ASSY. W/G.F. & BUSH
LM702749	IDLER PIVOT PIN W/ ZERK
LM703260	HEX GROUND ROLLER ASSY, 88"
LM703261	HEX GROUND ROLLER ASSY, 74"
LM703263	LH BEARING & BRACKET ASSEMBLY, KEYED
LM703271	CUTTERSHAFT BEARING & HSG.
LM703520	SWITCH ASSEMBLY
LM703574	BEARING
LM703575	ROLLER BEARING/HOUSING ASSEMBLY, ROUND BORE
LM703601H	HEX ROLLER RETRO ASSEMBLY, 88"
LM703695	CUTTERSHAFT BEARING & HOUSING
LM703874A	KNIFE PACKAGE
LM703976	HEX ROLLER BEARING & HSG
LM703977	LH HEX ROLLER BRACKET/ BEARING ASSEMBLY
LM703978	RH HEX ROLLER BRACKET/ BEARING ASSEMBLY
LM704305	BEARING ASSEMBLY
LMFM7	HD BLADE

**ROANOKE**

LM02932	SPROCKET, 1-3/8 x 10B SPLINE
LM02944	SPROCKET, 10TH, 1-1/4"
LM03433	SPINDLE WELDMENT
LM04595	SPINDLE HUB
LM2231	BLADE

**ROANOKE**

LM32064	SPACER BAR
LM32065	BLADE BAR
LM35208	SPROCKET, 14 SPLINE
LM36719	BLADE BOLT
LM36720	BLADE BAR MOUNTING BOLT
LM4597A	BUSHING, 1-1/8"
LM4597B	BUSHING, 15/16"
LM4599	COUPLING CHAIN
LM4803	SPACER
LM4804	SEAL RETAINER PLATE
LM5931	BEARING
LM5932	BEARING LOCKNUT
LM5933	BEARING LOCKWASHER
LM5955	SEAL

**WE HAVE HARDWARE FOR THAT!**  
WE OFFER A FULL COMPLEMENT OF  
HARDWARE FOR OUR PRODUCTS.

**SCHULTE**

LM02978566	BLADE SET (2x LM401017)
LM1003671	CYLINDER, 3-1/2 x 5
LM1003701	CYLINDER, 3 x 12
LM101025	SEAL KIT, 3" 1-1/4" ROD
LM101025W	SEAL KIT, 3 x 12, 3000 PSI
LM101295	SEAL KIT, 2-1/2 x 14
LM108056	BREATHER PLUG, 3/4-16 ORB ALUM.
LM15016	PIVOT PIN WALKING BEAM
LM201016	RIM 12 x 7 x 6 BOLT 2 PC. C/W HDW
LM203007	HUB & SPINDLE S517 10-1/8 x 1.62
LM206009	HUB ASSEMBLY, LESS BOLTS
LM206013	HUB ASSEMBLY HA517-11 W/ HARDWARE, NEW
LM207015	TAPERED ROLLER BEARING
LM207015C	BEARING & RACE
LM207016	TAPERED RACE

START SAVING TODAY! CONTACT LACAL BY PHONE 800-543-6161 or EMAIL SALES@LACAL.COM

ALL PARTS ARE GUARANTEED TO MEET WITH YOUR APPROVAL. Local Equipment, Inc. offers after-market parts for road and highway maintenance equipment. All original equipment manufacturer's names, drawings, colors and part numbers are used for identification purposes only. Local is in no way implying that any of our products are original equipment parts.

THESE ARE OUR MOST POPULAR REPLACEMENT PARTS • MANY MORE PARTS AVAILABLE – JUST ASK!



**SCHULTE**

LM207019C	BEARING & RACE
LM207021	SEAL
LM207022	DUST CAP, CTD 2.443" O.D.
LM207023	WHEEL NUT 1/2 UNF
LM207027H	DUST CAP
LM207055	WHEEL REPAIR KIT
LM207062	V-SEAL
LM207063	SEAL RETAINER
LM207064	SEAL COUNTERFACE
LM208015	SPINDLE, 1-5/8 x 12-1/2" C/W
LM2080151	SPINDLE ASSEMBLY
LM208016	SPINDLE ASSEMBLY
LM208018	SPINDLE (DOUBLE) COMPL 2 x 22-1/2
LM208027	SPINDLE
LM208028	SPINDLE 517 10.50" LG.
LM209003	WASHER H517
LM232825	SCREW JACK SDE WND 15" TBE MOUNT
LM233050	RUBBER SANDWICH MOUNT
LM250055	BOLT 1/2 x 3/4 UNF GR5 PLATED
LM251007	BLADE BOLT
LM251018	PENTAGON BLADE BOLT
LM251020	BUSHING
LM251101	BLADE BOLT & NUT KIT
LM251103	BLADE BOLT & NUT, 7/8" THICK
LM251201	BLADE BOLT & NUT KIT
LM256001	WASHER, 1" x 1-1/16" I.D. x 2" O.D. SAE
LM256060	MACHINE BUSHING, 3/4" x 1-1/4" x 10 GA
LM256068	MACHINE BUSHING, 1-1/32" x 2" x 7 GA
LM257003	LOCK NUT, NYLON, GR 8, SPECIAL
LM264014	RETAINING RING 4" EXTERNAL
LM275121L	STANDARD LIGHTING MODULE LED
LM275138	LIGHT KIT CABLE, 12"
LM275139	LIGHT KIT CABLE, 50"
LM330861	GEARBOX 1:1.35 B-ROT S3 WING
LM330912	DIVIDER GEAR BOX, 540 RPM

**SCHULTE**

LM331559	CAP 85X10MM, GEARBOX
LM3317010	SEALING LID
LM3317011	OIL SEAL
LM3317012	BEARING
LM3317013	BEARING
LM331723	SHIM KIT
LM331801	OIL PLUG
LM331804	BALL BEARING 6207
LM3318045	OIL SEAL
LM3318046	SEALING LID
LM331813	HEXAGON SLOTTED NUT
LM331814	WASHER, DISC SPRING
LM331817	OIL SEAL
LM331824	OIL SEAL
LM331827	CAP B2
LM331830	OIL SEAL B2
LM331841	TAPERED ROLLER BEARING
LM331842	SHIM KIT INPUT SHAFT
LM331854	CASE PLUG
LM331856	SNAP RING
LM331858	OIL SEAL
LM331879	CASTLE NUT

**JUST HOW MUCH CAN YOU ACTUALLY SAVE?**  
**GET A FREE ESTIMATE!**  
Call 800.543.6161 for a free, no-obligation quote and compare. We think you'll be pleased with the results.

**SCHULTE**

LM331880	SPRING WASHER 3125 & LF223 GEARBOX
LM3319019	OIL SEAL
LM331924	SHIM KIT
LM331933	BEARING 32207JR
LM331960	SHAFT, 1-3/8Z6
LM3406011	U-JOINT C/W FT42 CLUTCH
LM3406155	CTR DRIVESHAFT 540 FT42-1450NM
LM340648	CV SHAFT S6 80CV 1-3/8Z21
LM340854	U-JOINT SFT8 MIDSHAFT 1-3/4Z20
LM340870	CV DRIVE LINE ASSEMBLY 540RPM
LM3410614	SCREWS
LM3410680	INNER BELL
LM3410681	INNER BELL SET
LM3410803	OUTER BELL, SIZE 8
LM3410813	CV RETAINER
LM3410814	CV SHIELD SET
LM3410821	OUTER SAFETY TUBE
LM3410822	INNER SAFETY TUBE
LM3413501	FRICTION DISC
LM34160010	YOKE
LM34160032	CROSS KIT, S6
LM34160069	YOKE
LM3416014	YOLT & NUT (1 EA), 10 x 55MM, GR8.8
LM341605	CROSS KIT COMPLETE
LM341610	OUTER RETAINER
LM341612	OUTER SAFETY TUBE
LM341613	INNER SAFETY TUBE
LM341615	INNER RETAINER
LM3416228	CLUTCH DISC LINING
LM3416247	CLUTCH DISC LINING
LM3416284	COMPLETE SAFETY SHIELD KIT
LM3416287	OUTER SAFETY TUBE
LM3416288	INNER SAFETY TUBE
LM341630	BUSHING
LM3416313	SPRING CONE TYPE CLUTCH
LM3416315	SLIP CLUTCH, #6

START SAVING TODAY! CONTACT LACAL BY PHONE 800-543-6161 or EMAIL SALES@LACAL.COM

ALL PARTS ARE GUARANTEED TO MEET WITH YOUR APPROVAL. Local Equipment, Inc. offers after-market parts for road and highway maintenance equipment. All original equipment manufacturer's names, drawings, colors and part numbers are used for identification purposes only. Local is in no way implying that any of our products are original equipment parts.









THESE ARE OUR MOST POPULAR REPLACEMENT PARTS • MANY MORE PARTS AVAILABLE – JUST ASK!



**TIGER**

LM28747	CUTTER SHAFT ASSEMBLY, 75STD, STD KNIVES
LM28914	SPLINED COUPLING
LM28999	GROUND ROLLER, 102"
LM30000	GROUND ROLLER, 96" x 6-5/8" DIA.
LM30111	TUBE CLAMP KIT, 1.25x2, .31x4, 3P
LM30565	GROUND ROLLER BEARING CAP STRAP
LM30570	STREET ELBOW FITTING, 1/8 x 90
LM31279A	HITCH, 3-POINT
LM31286A	BELT SHIELD
LM31293	IDLER SHEAVE
LM31325	LIGHTENED BLADE DISH, 60" WITH 5/8" HOLES
LM31327	BLADE DISH, 60" WITH 5/8" HOLES
LM3132712	LM31327 BLADE DISH W/12 BLADES
LM31680	STUB SHAFT SPACER
LM31773	FRONT CHAIN GUARD ASSEMBLY
LM31878	LONG REAR BOLT-ON CHAIN ROD
LM31879	SHORT REAR BOLT-ON CHAIN ROD
LM31965	TRIM SEAL, 3/8 CLIP x 3/4 O.D.
LM32215	CYLINDER, 3" x 12", COMBO SLUGGED
LM32318	BEARING, 1-1/2" x 1"
LM32319	LINKAGE PIN
LM32321	BEARING DX, 1-1/2" x 2"
LM32362	BEARING, 2" x 2"
LM32364	CYLINDER, 4-1/2" x 26-1/2"
LM32572	SPINDLE REPAIR KIT
LM32818	HOSE
LM32915	SHIELD
LM32936	SKID SHOE, 50 ROTARY, SABER
LM32951	HINGE PIN SHIELD
LM32952	DEFLECTOR
LM33199	LOWER SABER BEARING CONE
LM33200	LOWER SABER ROTARY BRG. CUP
LM33201	LOWER SABER ROTARY SEAL
LM33202	SABER ROTARY SNAP RING
LM33203	BLADE SET (2 x LM33527)

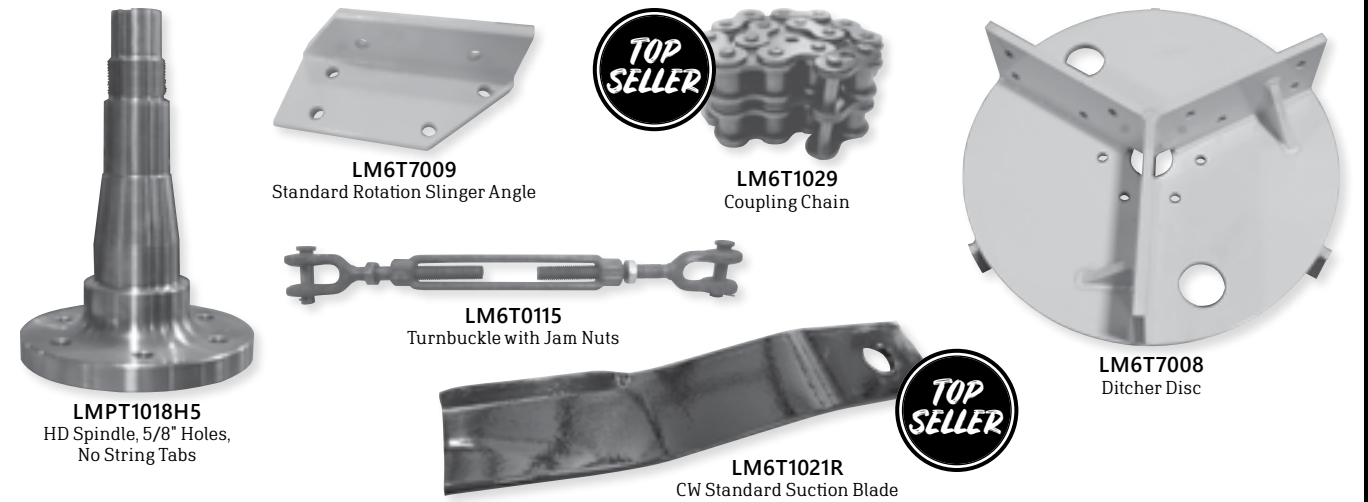
**TIGER**

LM33215	SABER BOOM TUBE CLAMP KIT
LM33346	CAPSCREW, 5/8-11, GR8, 3" SHOULDER
LM33466	BUSHING
LM33527	BLADE
LM33555	ADAPTOR
LM33621	FLAIL BUSHING FOR SABER
LM33622	SABER FLAIL BLADE
LM33691	JOYSTICK, 4 AXIS
LM33705	CYLINDER, 3" x 17-1/2"
LM33710TIGER	PIN
LM33713	FORGED FLAIL BLADE
LM33714	FORGED FLAIL BLADE
LM33719	BUSHING, 1" O.D. x 5/8" I.D.
LM33720	CLEVIS, 2-7/16" x 1/2" I.D.
LM33768	SHEAVE ASSEMBLY
LM33774	FLAP RETAINER
LM33775	DEFLECTOR FLAP, RTRY60
LM33777	SKID SHOE
LM33777HD	HD SKID SHOE
LM33785	CYLINDER, 1-1/2" x 8"
LM33791	GROUND ROLLER SHAFT
LM33857	SHOULDER BUSHING
LM33858	SPACER COLLAR
LM33859	FLAT WASHER, HEAT TREATED
LM33860	FULL COLLAR LOCKNUT, CAD PLATED
LM33863	STRING GUARD
LM33880	FLAT WASHER, 3/4", SAE, GRADE 8
LM33891	BLADE KIT (BLADES, BOLTS & HDW.)
LM33925	CAPSCREW, 9/16" x 3.44", GR8 MOD
LM33985	PIN, 1-1/2" x 13-1/4"
LM33986	PIN, 1.00" x 13.13"
LM33990	GREASE ZERK, 1/8" x 2-3/16" x 65-DEG
LM34011	CAPSCREW ONLY, GRADE 8
LM340266	MULCHING BLADE
LM34079	HOSE
LM34244	ELBOW
LM34334	SPHERICAL BEARING

**TIGER**

LM34335	SPHERICAL BEARING
LM34392	ADAPTER
LM34396	ADAPTER
LM34475	H.H. CAPSCREW, 3/4-16 x 2, L9
LM34479	KEYWAY SPROCKET FOR SABER
LM34480	SPINED SPROCKET FOR SABER
LM34497	BLADE BOLT
LM34509	BLADE MOUNTING BAR FOR SABRE
LM34512	BLADE DISH, 50", 5/8" HOLES
LM34512SP	BLADE DISH, 50", 3/4" BOLT HOLES
LM34591	SEAL KIT
LM34623	CONTROL CABLE, 122"
LM34624	DRIVE SHAFT, PUMP, 28-13/16"
LM34682	BLADE
LM34684	ROTARY BLADE
LM34685	BLADE
LM34686	SHORT BLADE FOR 50" BOOM
LM34687	BLADE
LM34688	BLADE
LM34780	STANDARD BRUSH KNIFE
LM34782	KNIFE MOUNTING CLEVIS, 90-DEG
LM34783	BRUSH CUTTER SHAFT
LM34786	KNIFE MOUNTING BOLT
LM34875	BLADE DISH 50"
LM34878	BLADE BOLT SPACER
LM34883	BLADE BOLT
LM34973	OUTER CHAIN ROD FOR TM60
LM34974	INNER CHAIN ROD FOR TM60
LM34980	SPINDLE ASSEMBLY FOR TM60
LM34983HD	SKID SHOE
LM34999	U-JOINT DRIVESHAFT, JD62-7510/2
LM35017	SWIVEL, ASSEMBLY, TRUCKAT
LM35226	MOWER SWITCH
LM35258	COVER LATCH ANGLE
LM6T0100	CABLE SHEAVE BRACKET
LM6T0101	CYLINDER END BRACKET
LM6T0104N-NEW	SHEAVE PIN BUSHING, 1" O.D. x 3/4" I.D.
LM6T0110	LIFT CABLE, 1/2" x 87-1/2"

THESE ARE OUR MOST POPULAR REPLACEMENT PARTS • MANY MORE PARTS AVAILABLE – JUST ASK!



**TIGER**

LM6T0112	SHACKLE WITH PIN
LM6T0115	TURNBUCKLE WITH JAM NUTS
LM6T0149	CYLINDER, 3" x 12"
LM6T0150	STROKE CYLINDER, 3" x 18"
LM6T0151B	SIDE PORT CYLINDER, 3" x 10"
LM6T0151R	TOP PORT CYLINDER, 3" x 10"
LM6T0187	REPAIR KIT
LM6T0318	PUMP DRIVE SHAFT
LM6T0370	TAPER LOCK
LM6T0371	PTO SPROCKET
LM6T0372	TAPERLOCK BUSHING, 14 SPLINE
LM6T0373	PUMP SPROCKET
LM6T0374	SET SCREW, 7/16-14 x 3/4"
LM6T0375B	COUPLING, 14 SPLINE W/ ZERK
LM6T0379	CRANKSHAFT ADAPTER
LM6T0389	CRANKSHAFT ADAPTER, IHC 885
LM6T0645	O-RING SEAL
LM6T0649	FILTER GAUGE
LM6T0650	FILTER ELEMENT
LM6T0820C	CARBIDE SKID SHOE
LM6T0820H	HD SKID SHOE FOR TM60
LM6T0820HD	HD SKID SHOE, 1/2"
LM6T0823	FLAP BAR FOR TM60
LM6T0830	CASTER WHEEL CONE BEARING
LM6T1010H	HD SPINDLE HOUSING
LM6T1011	UPPER SEALS, SET OF 2
LM6T1011D	LOWER SEAL (DITCHER ONLY)
LM6T1011H	HD LOWER SEAL
LM6T1012	CONE BEARING
LM6T1012H	HD BEARING CONE
LM6T1013	BEARING CUP
LM6T1013H	HD BEARING CUP
LM6T1014	ADJUSTABLE BEARING SLEEVE
LM6T1015	THIN BEARING LOCK NUT
LM6T1016	THICK BEARING LOCK NUT
LM6T1017	COUPLER
LM6T1018H5	HD SPINDLE, 5/8" HOLES AND STRING TABS

**TIGER**

LMPT1018H5	HD SPINDLE, 5/8" HOLES, NO STRING TABS
LM6T1020RD	BLADE DISH, 60", 1/2" BOLT HOLES
LM6T1020TB	BLADE DISH, 50", 1/2" BOLT HOLES
LM6T1021R	CW STD SUCTION BLADE
LM6T1021RR	CCW STD SUCTION BLADE
LM6T1021RS	CW HIGH SUCTION BLADE
LM6T1022R	KNIFE MOUNTING BOLT
LM6T1023R	NYLON LOCKNUT, GR8, Z&Y, 1-1/8 AF
LM6T1024H5ASSY	SPINDLE ASSEMBLY
LM6T1024H5KIT	SPINDLE KIT, UNASSEMBLED
LM6T1028	CONNECTING LINK
LM6T1029	COUPLING CHAIN
LM6T1030	CHAIN COUPLING HALF SPROCKET
LM6T1031	CHAIN COUPLING SPROCKET
LM6T1032	KEYED BOSS
LM6T1033	COUPLING COVER
LM6T1037	COUPLING CHAIN
LM6T1200N	TANK BREATHER
LM6T2275	SET SCREW
LM6T2296	HEX CAPSCREW, GR8, Z & Y
LM6T2331	SCREW
LM6T2617	BUSHING 1-1/2" I.D. x 2-1/4" O.D.
LM6T2999	OUTER DRAFT BEAM PIN
LM6T3000	OUTER DRAFT BEAM PIN
LM6T3001	INNER DRAFT BEAM PIN
LM6T3005	CAPPED PIN, 1" x 6.30"
LM6T3009	SHORT SHEAVE PIN W/GREASE ZERK
LM6T3010	LONG SHEAVE PIN W/GREASE ZERK
LM6T3020	CLIP (HAIR PIN)
LM6T4258	BREATHER, 1/2 O-RING
LM6T5002	SEAL
LM6T5101	HIGH PRESSURE SEAL
LM6T5105	KEY H-3/8, W-1/4, L-1 3/4 FORM
LM6T5201	BEARING
LM6T7003	SPROCKET WITH SPLINE
LM6T7004	COUPLING CHAIN
LM6T7005	COUPLING SPROCKET
LM6T7008	DITCHER DISC

**TIGER**

LM6T7008R	DITCHER DISK (REVERSE)
LM6T7009	STD. ROTATION SLINGER ANGLE
LM6T7011	DITCHER BLADE, ROUND HOLES
LM6T7011A	DITCHER BLADE, SQUARE HOLES
LM6T7012	SLINGER TAB, SQUARE HOLES
LM6T7012A	SLINGER TAB, ROUND HOLES
LM6T7015	STD. WEAR PLATE
LM7190172	SPACER
LMTB1004	RH SKID SHOE
LMTB1005	LH SKID SHOE
LMTB1006	CURTAIN
LMTB1006A	DEFLECTOR FLAP
LMTB1008	BAR
LMTB1012	TIE-ROD CYLINDER, 3-1/2" x 20"
LMTB1024	HOUSING PIN
LMTB1025	SECONDARY BOOM SWIVEL PIN
LMTB1027	PIVOT ARM DECK PIN
LMTB1028	PIVOT ARM W/ BUSHING & ZERKS
LMTB1030	PIVOT ARM PIN
LMTB1032	PIVOT ASSEMBLY
LMTB1033	CLEVIS PIN W/O ROLL PINS
LMTB1033D	CLEVIS PIN W/ ROLL PINS
LMTB1035	PVTASSY. BUSH SPACER, 1" x 4-3/4"
LMTB1036	BOOM SWIVEL PIN
LMTB1044	SELF-LUBRICATING BUSHING
LMTB1045B	PRIMARY CYLINDER PIN WELDMENT
LMTB1066	SEAL KIT
LMTB1104A	SKID SHOE
LMTB1105	FLAP
LMTB1106	FLAP
LMTB1109	LIGHT BLADE PAN, 60", 1/2" THICK
LMTB20295	BOLT PROTECTOR FOR 5/8" BOLTS
LMTB2031	BLADE
LMTB2031A	BLADE
LMTB2031S	BLADE
LMTB3001C	BOOM MOUNTING BRACKET WELD.
LMTB3002B	SWIVEL BOOM BRACKET REV. ASSY.
LMTB3003A	BOOM SWIVEL BRACKET STD

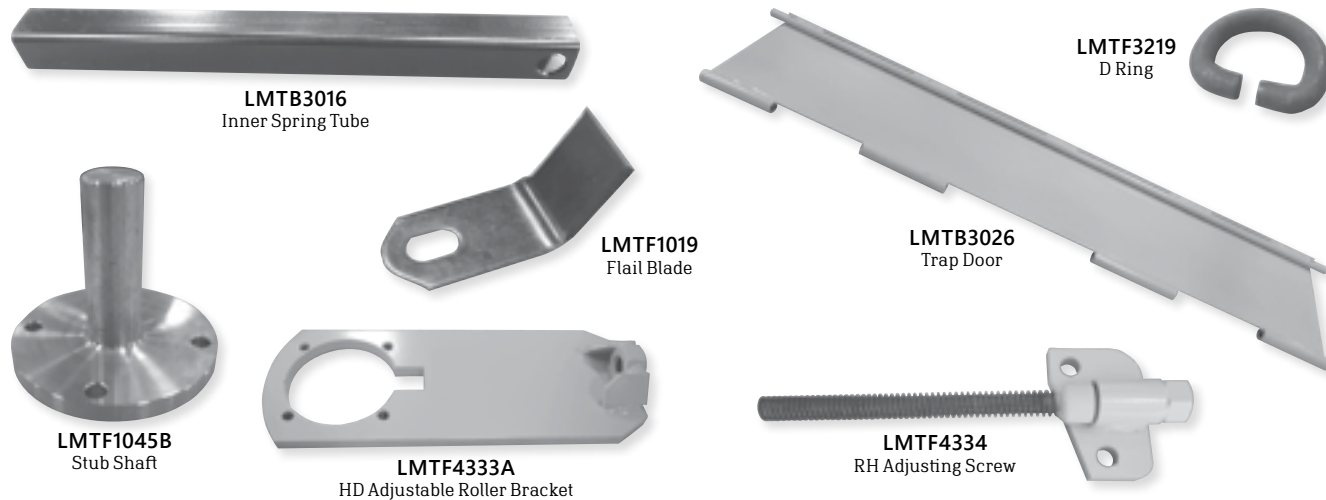
START SAVING TODAY! CONTACT LACAL BY PHONE 800-543-6161 or EMAIL SALES@LACAL.COM

ALL PARTS ARE GUARANTEED TO MEET WITH YOUR APPROVAL. Local Equipment, Inc. offers after-market parts for road and highway maintenance equipment. All original equipment manufacturer's names, drawings, colors and part numbers are used for identification purposes only. Local is in no way implying that any of our products are original equipment parts.

START SAVING TODAY! CONTACT LACAL BY PHONE 800-543-6161 or EMAIL SALES@LACAL.COM

ALL PARTS ARE GUARANTEED TO MEET WITH YOUR APPROVAL. Local Equipment, Inc. offers after-market parts for road and highway maintenance equipment. All original equipment manufacturer's names, drawings, colors and part numbers are used for identification purposes only. Local is in no way implying that any of our products are original equipment parts.

THESE ARE OUR MOST POPULAR REPLACEMENT PARTS • MANY MORE PARTS AVAILABLE – JUST ASK!



**TIGER**

LMTB3013C	OUTER SWIVEL PIN
LMTB3014	INNER SWIVEL PIN
LMTB3016	INNER SPRING TUBE
LMTB3018	OUTER SPRING TUBE
LMTB3019	TRAP DOOR ROD
LMTB3023	TRAP DOOR ROD
LMTB3026	TRAP DOOR
LMTB3027	TRAP DOOR
LMTB3033	CLEVIS WITH BEARING
LMTB3037D	CLEVIS W/O BEARING OR HDW.
LMTB3039	CONTROL TUBE CLAMP, 1/4"
LMTF1002	BARE CUTTERSHAFT, 75"
LMTF1002A	CUTTERSHAFT ASSY., 75HD, STD
LMTF1004A	GROUND ROLLER TIE ROD, 74"
LMTF1016	DEFLECTOR FLAP
LMTF1018	FLANGE BEARING, 2-3/16"
LMTF1019	FLAIL BLADE
LMTF1019AE	FORGED FLAIL BLADE, ALL EDGE
LMTF1019F	DUCKFOOT 1-PIECE FLAIL BLADE
LMTF1021B	BOLT & NUT SET, GR 8
LMTF1022	FLANGE BEARING
LMTF1041	DUST CAP
LMTF1042	BEARING PROTECTOR W/SEAL
LMTF1045B	STUB SHAFT
LMTF1102	BARE CUTTERSHAFT, 90"
LMTF1102A	CUTTERSHAFT ASSEMBLY, 90"
LMTF1103	GROUND ROLLER, 90"
LMTF1107	INPUT SHAFT
LMTF1116	DEFLECTOR
LMTF1124	KEY, 5/16" SQ. x 1-1/2" RD ENDS
LMTF1125	KEY, 5/16" SQ x 1-3/4" LONG
LMTF1402A	BAFFLE WELDMENT, 75"
LMTF1403	TRASH GUARD
LMTF1502A	BAFFLE, FLAIL, 90HD, STD ROT
LMTF1704A	FLAP DEFLECTOR
LMTF3001	BOOM MOWER SKID SHOE
LMTF3001H	HEAVY DUTY SKID SHOE
LMTF3004	SHIELD
LMTF3020	V-BELT, COGGED

**TIGER**

LMTF3021	V-BELT, COGGED
LMTF3023	V-BELT, COGGED
LMTF3034	IDLER PULLEY, (4 FLAT) BOOM FL
LMTF3090	PIVOT ARM PIN
LMTF3097	DECK PIVOT ARM PIN
LMTF3219	D RING
LMTF3220A	CUP-TYPE FLAIL BLADE, 9/16" HOLE
LMTF3222A	KNIFE HANGER
LMTF3223A	KNIFE BRACKET, 9/16" HOLES
LMTF3405	TIE-ROD STYLE GROUND ROLLER, 50" X 6" DIA.
LMTF3406	TIE ROD WELDMENT
LMTF3407	ADJ. ROLLER BRACKET
LMTF3605	IDLER ARM PIN, 3/4" x 4-1/4"
LMTF3611A	CLEVIS ROD 11
LMTF3620A	TENSIONER SPRING
LMTF4333A	HD ADJUSTABLE ROLLER BRACKET
LMTF4334	RH ADJUSTING SCREW
LMTF4335	LH ADJUSTING SCREW
LMTF4336	GROUND ROLLER LOCK PLATE
LMTF4337	ADJUSTABLE ROLLER BRACKET
LMTF4338	HD RH ADJUSTMENT ROD
LMTF4339	LH ADJUSTMENT ROD
LMTF4346	RH IDLER ARM
LMTF4359SP	OUTER HIGH PRO. SPECIAL SKID
LMTF4360SP	INNER HIGH PRO. SPECIAL SKID
LMTF4365	LH INNER SKID SHOE
LMTF4366	SKID SHOE, L/PROFILE-INNER-LF
LMTF4370	LH OUTER SKID SHOE
LMTF4371	RH OUTER SKID SHOE
LMTF45004	PIVOT ARM
LMTF4500A	PIVOT ARM W/BUSHINGS, NEW STYLE
LMTF4506B	LIFT LINKAGE ARM ASSEMBLY
LMTF4507B	LIFT LINKAGE ARM ASSEMBLY
LMTF4514A	SWIVEL PIN
LMTF4519	LINKAGE PIN

**TRIUMPH**

LM0593700	CENTER GUARD W/LEDGER PLT GRAY
LM0593600	OUTER GUARD W/LEDGER PLT GRAY
LM0593500	INNER GUARD W/LEDGER PLT GRAY
LM0585500	RH INNER SHOE SOLE
LM0571900	WEAR PLATE
LM0532600	WEAR PLATE
LM0188600	HYDRAULIC PUMP
LM0187100	SICKLE RIVETS, 1-LB PKG
LM0122700	KNIFE SECTION
LM0012700	CLIP

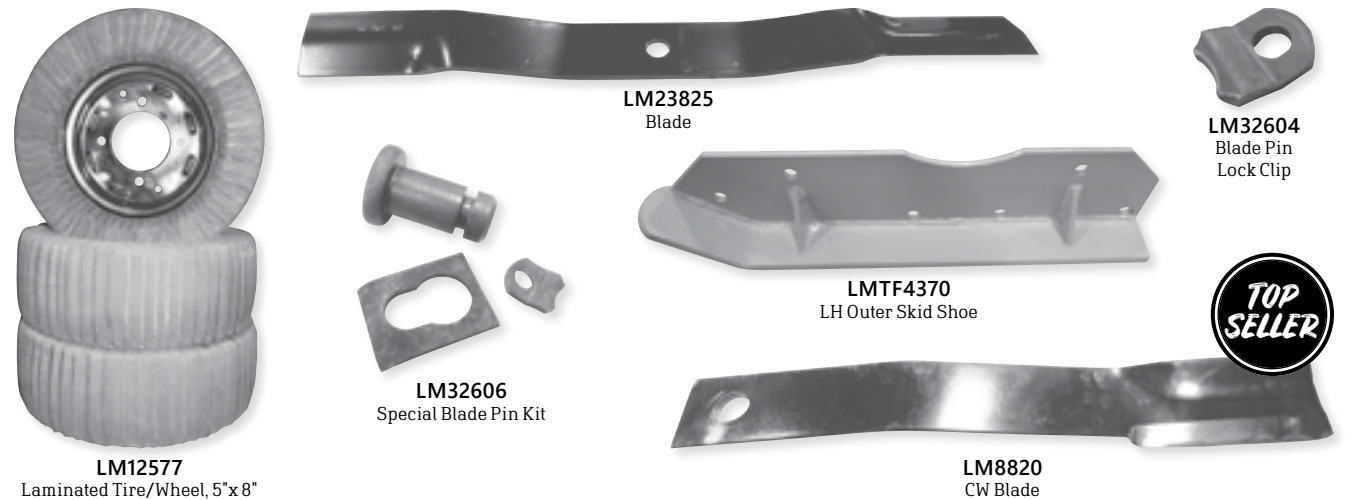
**WOODS**

LM1002048	CLUTCH SHIELD
LM1003490	CW BLADE
LM1003490KT	LH CW BLADE
LM1003642	PIN
LM1008190	BLADE PIN KIT, 1-1/2"
LM1008190A	BLADE BOLT ONLY
LM1009065	DRIVE SHIELD BEARING KIT
LM1010985	SKID SHOE
LM1016491	DRIVE CLUTCH PLATE
LM1016492	BELLEVILLE CLUTCH SPRING
LM1017027	SHAFT SEAL
LM1017035	GREASE CAP
LM1017050	HUB ASSEMBLY
LM1017147	RH SKID
LM1017148	LH SKID
LM1024670	WASHER
LM10277	CAP ASSEMBLY
LM1028815	TAIL WHEEL FORK WELDMENT
LM1028824	SPACER
LM1028824RP	SPACER, 5/16" THICK
LM1030522	WOODS HUB
LM1030523	AXLE BOLT
LM1030524	BUSHING
LM1032105	AXLE NUT
LM1034098	SKID SHOE
LM1034855	RH FRONT CHAIN SHIELD
LM1034856	LH FRONT CHAIN SHIELD

START SAVING TODAY! CONTACT LACAL BY PHONE 800-543-6161 or EMAIL SALES@LACAL.COM

ALL PARTS ARE GUARANTEED TO MEET WITH YOUR APPROVAL. Lecal Equipment, Inc. offers after-market parts for road and highway maintenance equipment. All original equipment manufacturer's names, drawings, colors and part numbers are used for identification purposes only. Lecal is in no way implying that any of our products are original equipment parts.

THESE ARE OUR MOST POPULAR REPLACEMENT PARTS • MANY MORE PARTS AVAILABLE – JUST ASK!



**WOODS**

LM1038100	PIN
LM1043260	BLADE
LM1043260KT	BLADE SET (2 x LM1043260)
LM1044844	PIN
LM1044990RP	RIGHT WING SKID
LM1044991RP	LEFT WING SKID
LM1045034RP	PIN
LM1045695	WASHER BLANK
LM1045894	CASTLE NUT, M48 x 3
LM10520	BLADE PIN SHIM
LM10520RP	BLADE PIN SHIM, 18-GAUGE, 1-1/2"
LM110	PTO, U-JOINT REPAIR KIT
LM11010	SEAL
LM11114	CONE BEARING
LM11115	CUP BEARING
LM11122	SKID SHOE W/HARDWARE
LM11553	SEAL
LM11731	SIDE SKID
LM12577	LAMINATED TIRE/WHEEL, 5"x 8"
LM12785	STUMP JUMPER
LM12890	SKID SHOE W/HARDWARE
LM12892	BLADE
LM13946	BLADE PIN SHIM, 20-GAUGE
LM13946RP	BLADE PIN SHIM, 20-GA., 1-1/2"
LM15184	BANDED V-BELT, 3-GROOVE
LM15277	WHEEL HUB ASSEMBLY
LM15580	TAIL WHEEL CLEVIS
LM15779	SKID SHOE WITH HARDWARE
LM15789	BLADE
LM15805	SPINDLE ASSEMBLY
LM17190	BLADE
LM18615	SKID SHOE WITH HARDWARE
LM19154	NON-ADJUST. SIDE SKID
LM19160	BLADE
LM19160KT	BLADE SET (2 x LM19160)
LM19161	BLADE
LM19161KT	BLADE SET (2 x LM19161)
LM19162KT	BLADE KIT
LM19221	YOKE & STUB SHAFT

**WOODS**

LM19459	FRICTION DISC
LM19805	SKID WITH HARDWARE
LM23000	IDLER PULLEY
LM23003	BEARING, CONE ONLY
LM23004	TAPERED ROLLER BEARING
LM23005	BEARING, CUP ONLY
LM23006	RACE
LM23261	SKID SHOE W/HARDWARE
LM23825	BLADE
LM24102	V-BELT
LM24771	BLADE
LM24771KT	BLADE KIT (2 x LM24771)
LM24914	REAR INNER CHAIN PLATE RT
LM25748	RH SKID SHOE
LM25749	LH SKID SHOE
LM25800	FRONT CORNER SKID
LM25807	LAMINATED TIRE/WHEEL, 400 x 8
LM27048	REAR OUTER CHAIN PLATE RT SINGLE
LM29080	TAILWHEEL BRACE
LM29344	V-BELT
LM32602	PIN / BLADE
LM32603	KEYHOLE PLATE, SPECIAL
LM32604	BLADE PIN LOCK CLIP

**WAIT... WHERE IS THE PART I NEED?**

This catalog is only a portion of the quality replacement parts that Lecal offers.

**CALL 800.543.6161** to access our full spectrum of parts for plows, sweepers, mowers and leaf machines.

**WOODS**

LM32604RP	BLADE PIN LOCK C
LM32606	SPECIAL BLADE PIN KIT
LM32606A	BOLT KIT
LM32608	BLADE PIN KIT
LM32616	BLADE PIN
LM3886	KEY
LM3900	BLADE
LM3922	STANDARD LIFT BLADE
LM3922KT	STD LIFT BLADE SET (2 x LM3922)
LM39289	OIL SEAL
LM39323	CASTLE NUT
LM39411	BEARING CUP & CONE
LM3975	BLADE
LM4141	RH SKID SHOE
LM4142	LH SKID SHOE
LM4622	BOLT
LM46606	SHIELD
LM46607	SHIELD
LM4676	LAMINATED TAILWHEEL, 4" x 8"
LM5523	SPACER
LM5586	3 BELT IDLER ASSEMBLY
LM57060	STUMP JUMPER
LM57080	CROSSBAR ASSEMBLY
LM57095	SLEEVE, .64 x 1.0 x 2.6
LM57099	CCW BLADE
LM57099KT	CCW BLADE KIT
LM57118	RH SKID SHOE
LM57119	LH SKID SHOE
LM57136	OFFSET LINK
LM57300	BLADE PAN
LM57338	SEAL
LM6323	BLADE
LM6866	BLADE
LM7428	LAMINATED TIRE/WHEEL WITH TREAD, 4 HOLE
LM8820	CW BLADE
LM8825	CCW BLADE
LM91762	BLADE
LM91764	LH CUT BLADE

START SAVING TODAY! CONTACT LACAL BY PHONE 800-543-6161 or EMAIL SALES@LACAL.COM

ALL PARTS ARE GUARANTEED TO MEET WITH YOUR APPROVAL. Lecal Equipment, Inc. offers after-market parts for road and highway maintenance equipment. All original equipment manufacturer's names, drawings, colors and part numbers are used for identification purposes only. Lecal is in no way implying that any of our products are original equipment parts.

THESE ARE OUR MOST POPULAR REPLACEMENT PARTS • MANY MORE PARTS AVAILABLE – JUST ASK!

LACAL EQUIPMENT'S LEAF MACHINE

# Reconditioning Services



MAKE IT JUST  
LIKE NEW



SINGLE AXLE? MULTI-AXLE?  
ONE MACHINE? OR A FLEET? *We Can Help!*

Let the professionals at Lecal Equipment do all the dirty work and transform your over-the-hill machine back into like-new condition. If your engine is in good shape and your frame is still solid, then we can replace or refurbish everything else. We are an industry leader in reconditioning leaf machines for governments and private contractors alike. You can count on all of our individual departments – engineering, welding/fabrication, powder-coating and purchasing – to provide sturdy, high-quality components that are ready for a hard day's work. We squeeze your budget for maximum impact and keep you on the road for less!

**Not sure if rebuild is for you? We will be glad to answer questions!**

START SAVING TODAY! CONTACT LACAL BY PHONE 800-543-6161 or EMAIL SALES@LACAL.COM

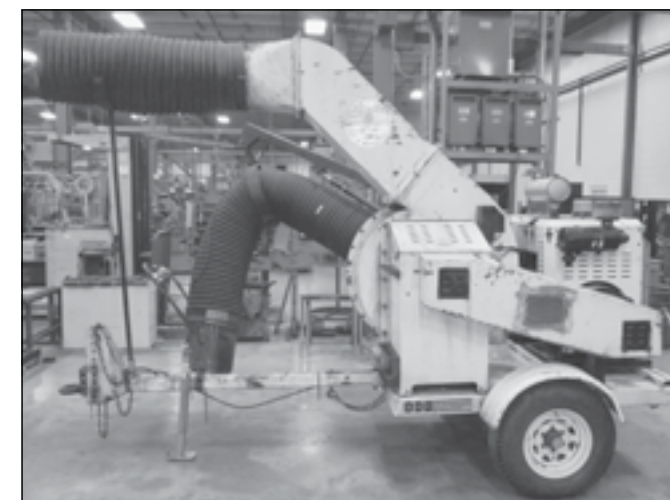
ALL PARTS ARE GUARANTEED TO MEET WITH YOUR APPROVAL. Lecal Equipment, Inc. offers after-market parts for road and highway maintenance equipment. All original equipment manufacturer's names, drawings, colors and part numbers are used for identification purposes only. Lecal is in no way implying that any of our products are original equipment parts.

THESE ARE OUR MOST POPULAR REPLACEMENT PARTS • MANY MORE PARTS AVAILABLE – JUST ASK!

IT'S AS EASY AS ONE, TWO, THREE!

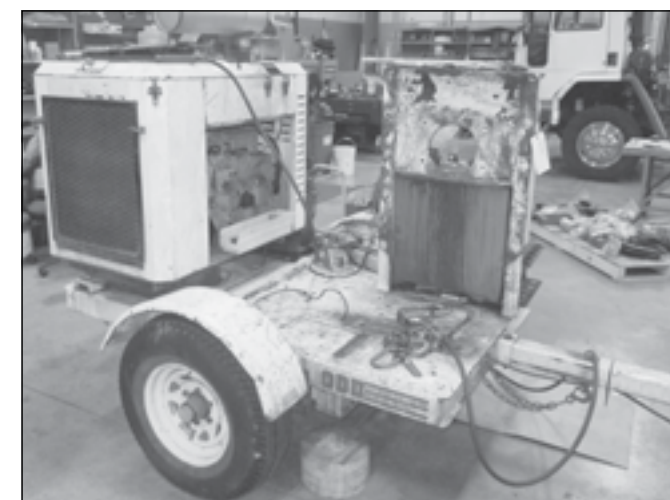
## 1. Evaluate

Lecal will examine your machine in its present condition to provide a thorough, detailed work order outlining the scope of work to be performed. We'll help you stick to your budget, whether restoring single machines or entire fleets. Lecal can get your equipment back in service quickly and efficiently.



## 2. Tear-Down

Lecal's knowledgeable staff technicians will completely disassemble your aging machine, replacing or rebuilding damaged and worn parts as needed. Every aspect of the machine will be cleaned, tested and inspected for superior operation.



## 3. Rebuild

With laser-sharp focus, our technicians will reassemble all the components to generate a like-new machine for just a fraction of total replacement cost. Renewed machines will be job-ready and continue to serve you for years to come.



**Call 800.543.6161 or email sales@lecal.com for more detailed info.**

START SAVING TODAY! CONTACT LACAL BY PHONE 800-543-6161 or EMAIL SALES@LACAL.COM

ALL PARTS ARE GUARANTEED TO MEET WITH YOUR APPROVAL. Lecal Equipment, Inc. offers after-market parts for road and highway maintenance equipment. All original equipment manufacturer's names, drawings, colors and part numbers are used for identification purposes only. Lecal is in no way implying that any of our products are original equipment parts.

Don't Keep Getting "Hosed" by a Dealer – Buy Leaf Hoses from Laca! Instead

**BLACK RUBBER HOSES: STANDARD & HEAVY DUTY**



**AVAILABLE DIAMETERS:**  
8-IN., 10-IN., 12-IN., 16-IN., 18-IN.

**STANDARD**

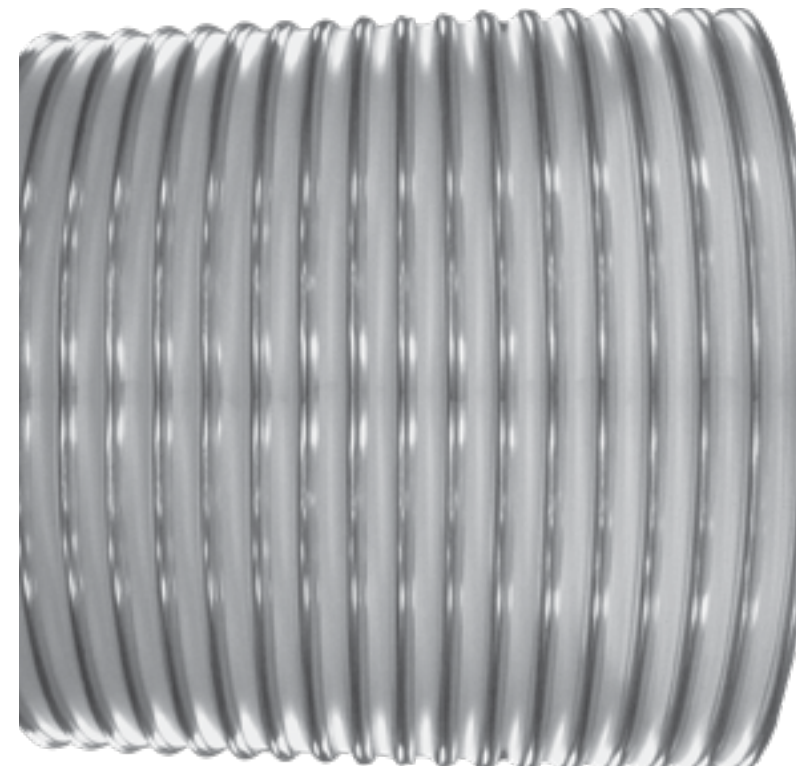
- Abrasion-resistant rubber tube
- Corrugated interior and exterior
- Highly flexible
- Soft cuffs on each end for easy install

**HEAVY DUTY**

- Multi-ply high-tensile woven poly fabric body and spring steel wire helix
- Abrasion-resistant rubber inner liner
- Black abrasion-resistant Neoprene outer layer
- Corrugated interior and exterior
- Extremely flexible
- End cuffs around 3" long and .375" (3/8") thick
- Side walls around .1875" (3/16") thick

Don't Keep Getting "Hosed" by a Dealer – Buy Leaf Hoses from Laca! Instead

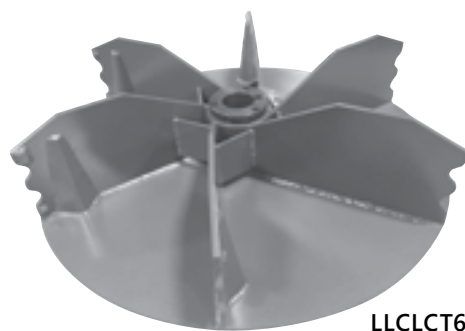
**CLEAR THERMOPLASTIC POLYURETHANE HOSES**



**AVAILABLE DIAMETERS:**  
6-IN., 7-IN., 8-IN., 10-IN., 12-IN.,  
14-IN., 16-IN., 18-IN.

- Reinforced with spring steel wire for increased pressure and vacuum resistance
- Superior abrasion-resistance
- Clear walls allow easy visualization of blockages
- Smooth interior for optimized material flow
- Side walls approximately .060" thick
- Excellent for both lawn and leaf collection

**CALL FOR SIZES AND LENGTHS**



LLCLCT600038

**BIG SAVINGS**  
on Replacement Parts for ODB

**IMPELLERS / FANS**

LLC1070XZ	CCW IMPELLER, 28"
LLC1143XZ	CCW IMPELLER, 32"
LLC1145XZ	CCW LEAF FAN, 30"
LLC6003028	CW IMPELLER FAN, 30"
LLC8003028	CCW FAN, 30", TIER 4 (DIRECT DRIVE)
LLCLCT6033	CCW IMPELLER LEAF FAN, 32"
LLCLCT60033	CW LEAF FAN, 32"
LLCLCT600038	IMPELLER

**LINER SET**

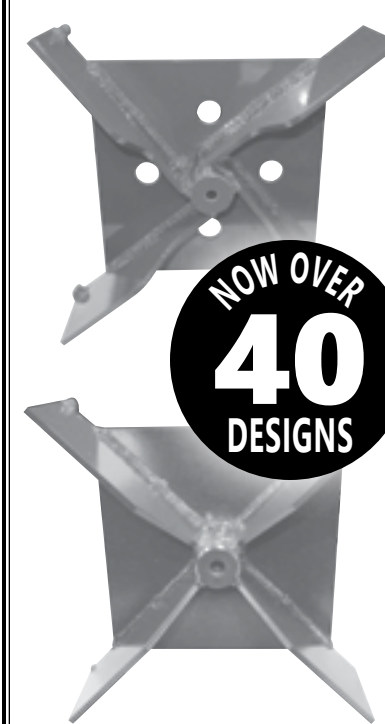
LLCLCT620602	LINER SET
--------------	-----------

**LEAF HOSE**

LLC2166023	LEAF COLLECTOR HOSE, 16" X 10-FT
LLC481604	LEAF COLLECTOR HOSE, 16" X 10-FT
LLC481609	RUBBER HOSE, 16" X 4-FT
LLC481615	LEAF COLLECTOR HOSE, 16" X 8'-4"
LLC481616	RUBBER HOSE, 16" X 5-FT
LLC481809	LEAF COLLECTOR HOSE, 18" X 10-FT
LLC48161310	CLEAR HOSE, 16" X 10-FT
LLC48161312	CLEAR HOSE, 16" X 12-FT
LLC48161315	CLEAR HOSE, 16" X 15-FT
LLC48181010	CLEAR HOSE, 18" X 10-FT

START SAVING TODAY! CONTACT LACAL BY PHONE 800-543-6161 or EMAIL SALES@LACAL.COM

ALL PARTS ARE GUARANTEED TO MEET WITH YOUR APPROVAL. Laca! Equipment, Inc. offers after-market parts for road and highway maintenance equipment. All original equipment manufacturer's names, drawings, colors and part numbers are used for identification purposes only. Laca! is in no way implying that any of our products are original equipment parts.



**Custom Leaf Impellers**

Laca! Equipment can custom-design and manufacture an impeller to specifically fit YOUR leaf collector, no matter what make or model. We produce them on-site from USA-made quality steel that is securely welded to last; dynamically balanced for smooth, even rotation; and then powder coated for maximum rust resistance. Our custom impellers are guaranteed to meet your needs, and most likely, for much less cost. Join our ever-growing list of satisfied customers! **Call to request one of our Custom Leaf Impeller Fan worksheets or download your own printable version today at [www.lacal.com/worksheets](http://www.lacal.com/worksheets).**

START SAVING TODAY! CONTACT LACAL BY PHONE 800-543-6161 or EMAIL SALES@LACAL.COM

ALL PARTS ARE GUARANTEED TO MEET WITH YOUR APPROVAL. Laca! Equipment, Inc. offers after-market parts for road and highway maintenance equipment. All original equipment manufacturer's names, drawings, colors and part numbers are used for identification purposes only. Laca! is in no way implying that any of our products are original equipment parts.

THESE ARE OUR MOST POPULAR REPLACEMENT PARTS • MANY MORE PARTS AVAILABLE – JUST ASK!



**AMERICAN ROADS**

LLCA008190154G002	CCW FAN, 30"
LLCD008190135P001	LONG LINER
LLCD008190136P001	SHORT LINER
LB008150183G002	ROLLER ASSEMBLY
LB008161435G001	PIPE RETAINER
LB008161436G002	SUPPORT BOOM WELDMENT, 72"
LLCC008161148G3	LOWER HOSE BAND
LLCC8161148G1	LOWER BAND
LLCCX110P301	CLUTCH ASSEMBLY
LLCD8161057P1	LONG LINER
LLCD8161058P2	SHORT LINER
LLCFFB10	SHORT LINER
LLCHRD135	LINER BOLT
LLCHRD432	LINER NUT
LLCLFB0000008	SHORT LINER, 25" FAN
LLCLFB9	LONG LINER
LLCLFBA000001	FAN, 25"
LLCLFBA40	IMPELLER HOUSING
LLCLFM32	SPRING
LLCLFMA26	HOUSING HAT

**DINKMAR**

LLC108B	TURN TABLE ASSEMBLY
LLC126B2	FRONT COVER ASSEMBLY
LLC158B	MOTOR ADJUSTMENT BOLT
LLC211B	EAR BRACKET
LLC231B	NARROW HOLD DOWN CLAMP
LLC235B	SWING ARM BRACKET
LLC25230	CW LEAF FAN, 30" x 12.50"
LLC252B	CW LEAF FAN, 32" x 12.50"
LLC291B16	INTAKE NOZZLE, 16-FT
LLC291B18	INTAKE NOZZLE
LLC3006B	SWING ARM
LLC350B	WIDE HOLD DOWN CLAMP

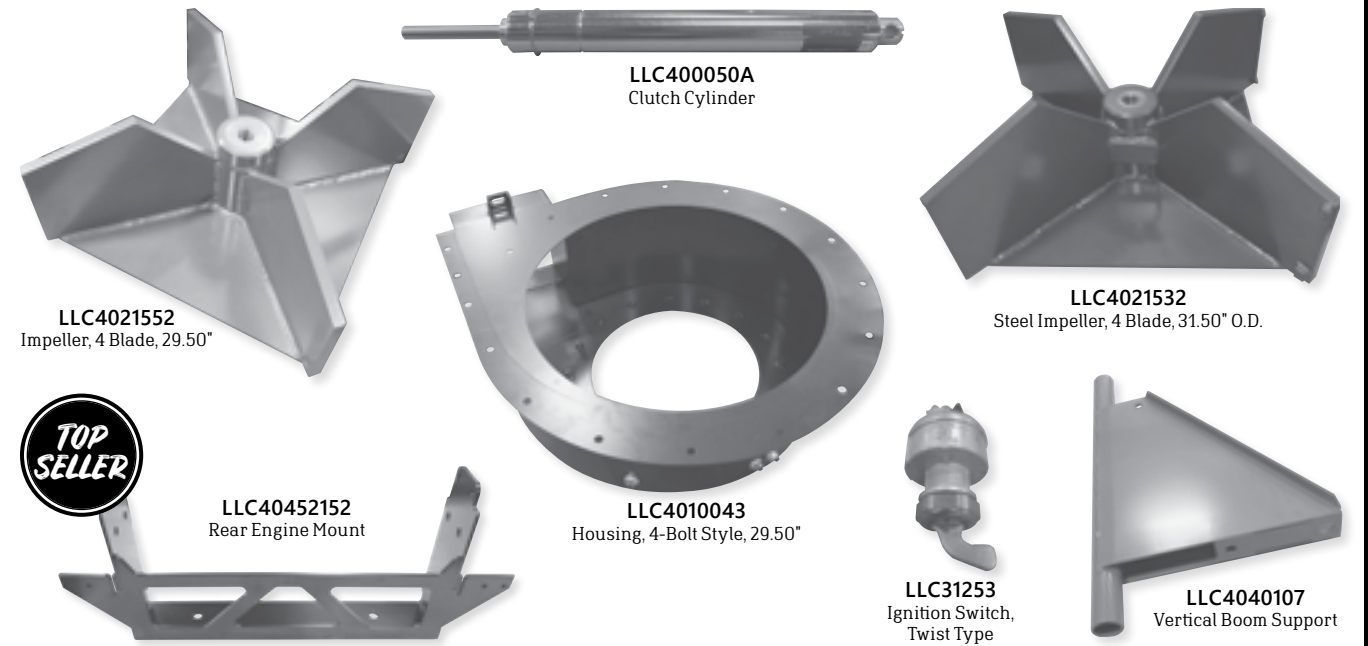
**DINKMAR**

LLC451B	SWING ARM ASSEMBLY
LLC483B	SHAFT GUARD
LLC490B	REAR SUPPORT ASSEMBLY
LLC497B	FRONT SCROLL WELDMENT
LLC4BX105	4-BANDED BELT
LLC500B	REAR SCROLL ASSEMBLY
LLC501B	REAR SCROLL WELDMENT
LLC505B	LINER ASSEMBLY
LLC531B	EXHAUST TUBE WELDMENT, 16"
LLC7651C	ELBOW WELDMENT

**GIANT VAC**

LLC010011	BOLT, KEY, LOCKWASHER
LLC010024	THROTTLE CABLE
LLC020059	IMPELLER
LLC020069	LINER KIT FOR ELBOW
LLC020088	DISCHARGE CHUTE
LLC020385	IMPELLER FOR FLUID COUPLER MACHINES, 85-HP
LLC020432	IMPELLER, 85-HP, 29.5", 4-BLADE, 3/4" BLADES
LLC030053	HD INTAKE/EXHAUST HOSE 12" x 8-FT
LLC050035	FLUID COUPLING WITH SHAFT, BOLT-ON
LLC060033	HYDRAULIC CYLINDER, LO-BOY HOIST
LLC10035	BLOWER HOUSING WITH LINER
LLC10043L	LINER KIT
LLC20158	NOZZLE, 18"
LLC20160	FLANGE
LLC203565	CLUTCH FACING PLATE
LLC204715AM	NUT
LLC207232AM	LOCKING WASHER
LLC21519	IMPELLER, 29-1/2"
LLC21520	FAN WITH BACK, 30" x 10-1/2"
LLC21610	IMPELLER
LLC236739AM	PILOT BEARING
LLC24595	BOX STACK

THESE ARE OUR MOST POPULAR REPLACEMENT PARTS • MANY MORE PARTS AVAILABLE – JUST ASK!



**GIANT VAC**

LLC24622	DISCHARGE CHUTE
LLC24649	ELBOW WITH LINER
LLC31332	SPRING
LLC34059	ELBOW, 90-DEGREE
LLC4010043	HOUSING, 4-BOLT STYLE, 29.50"
LLC4010177	IMPELLER HOUSING ASSEMBLY
LLC4010179	HOUSING WITH LINER KIT
LLC40159	LOWER BOOM
LLC4021532	STEEL IMPELLER, 4 BLADE, 31.50" O.D.
LLC4021552	IMPELLER, 4 BLADE, 29.50"
LLC4021577	IMPELLER, SM8000
LLC4021590	STEEL IMPELLER, 4 BLADE, 31.50" O.D.
LLC4024624	STACK & ELBOW-12 BOLT
LLC4031129	KEY
LLC4031447	IMPELLER BOLT KEY KIT
LLC4034023	HOSE, 18" X 8-FT
LLC4034025	HOSE CLAMP, SS, 17-1/8"-20" DIA.
LLC4034026	HOSE, DISC, METAL
LLC4034103	METAL HOSE, 12.00" DIA. x 8-FT
LLC4036262	BEARING, 2.25 4 BOLT FLANGE
LLC4040107	VERTICAL BOOM SUPPORT
LLC4070832	WEAR LINER KIT WITH HARDWARE
LLC4070978	HOUSING WEAR LINER KIT WITH HARDWARE
LLC434510	CLUTCH & PTO ASSEMBLY WITH SOLID PLATE
LLC518PH12	MAG BOX
LLC70832G	LINING KIT
LLCMPE010013	IMPELLER HARDWARE KIT

**ODB**

LLC00610900	WHEEL LUG NUT
LLC1070XZ	CCW IMPELLER, 28"
LLC1143XZ	CCW IMPELLER, 32"
LLC1145XZ	CCW LEAF FAN, 30"
LLC1240	PTO ASSEMBLY, F1B SERIES, 1-3/8"

**ODB**

LLC1500171	OIL PRESSURE SENDER
LLC200012	HITCH PIN, 5/8"
LLC200042	STRIKER PLATE
LLC21520TL	FAN WITH BACK, 30" x 10-1/2"
LLC265126012	RADIATOR GROMMET
LLC272XZ	OUTER BEARING PLATE
LLC285626012	RUBBER GROMMET
LLC30292101	FRONT PANEL ASSEMBLY
LLC3041015	CIRCUIT BREAKER, 15-AMP
LLC3041030	CIRCUIT BREAKER, 30-AMP
LLC31253	IGNITION SWITCH, TWIST TYPE
LLC35423049	WATER TEMP SWITCH
LLC368XZ	IMPELLER SHAFT
LLC4000205	CIRCUIT BOARD
LLC400021	IGNITION SWITCH HARNESS
LLC400022	MURPHY SWITCH HARNESS PLUG
LLC4000230DX	LIMIT/STOP SWITCH PLUG
LLC400050A	CLUTCH CYLINDER
LLC400050C1	BEARING
LLC400053C	CYLINDER SUPPORT BRACKET
LLC40450018	RADIATOR SCREEN
LLC40450021B1	ROCKER SWITCH
LLC4045099	INSTRUMENT PANEL HOUSING
LLC40452021	FRONT PANEL
LLC40452101	FRONT PANEL
LLC40452105	RH UPPER SIDE PANEL
LLC40452106	LH UPPER SIDE PANEL
LLC40452108	RH PANEL DOOR
LLC40452109	LH PANEL DOOR
LLC40452112	REAR PANEL
LLC40452112T	REAR PANEL
LLC40452151F	RADIATOR BOLT BRACKET
LLC40452152	REAR ENGINE MOUNT

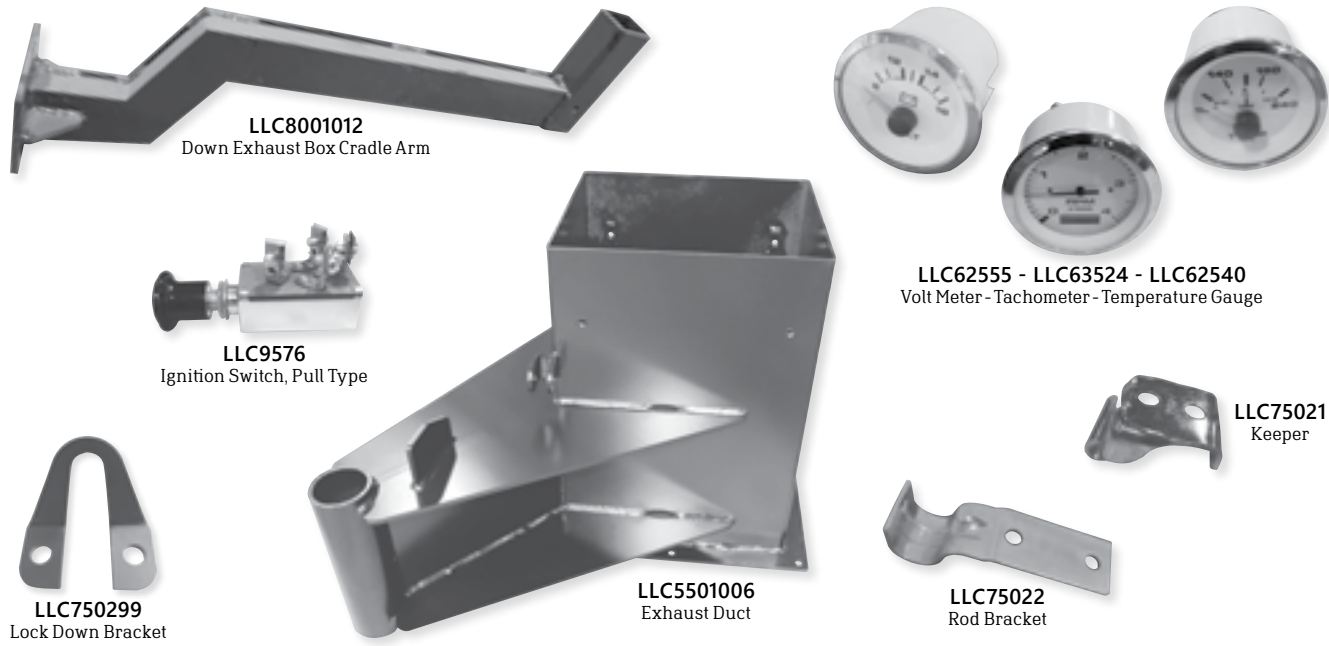
START SAVING TODAY! CONTACT LACAL BY PHONE 800-543-6161 or EMAIL SALES@LACAL.COM

ALL PARTS ARE GUARANTEED TO MEET WITH YOUR APPROVAL. Local Equipment, Inc. offers after-market parts for road and highway maintenance equipment. All original equipment manufacturer's names, drawings, colors and part numbers are used for identification purposes only. Local is in no way implying that any of our products are original equipment parts.

START SAVING TODAY! CONTACT LACAL BY PHONE 800-543-6161 or EMAIL SALES@LACAL.COM

ALL PARTS ARE GUARANTEED TO MEET WITH YOUR APPROVAL. Local Equipment, Inc. offers after-market parts for road and highway maintenance equipment. All original equipment manufacturer's names, drawings, colors and part numbers are used for identification purposes only. Local is in no way implying that any of our products are original equipment parts.

THESE ARE OUR MOST POPULAR REPLACEMENT PARTS • MANY MORE PARTS AVAILABLE – JUST ASK!



ODB

LLC40459500	RADIATOR
LLC40459501A1	RADIATOR
LLC4045T2102S	HOOD FOR SCL800, JD TURBO
LLC41500072	CLUTCH RELEASE FORK PIVOT STUD
LLC41500164	ALIGNMENT TOOL, 1-1/2" SPLINE
LLC4501002G	BLOWER HOUSING FACE
LLC4501002L2	LINER SET
LLC4501004	IMPELLER, 28" O.D.
LLC4501402	SHEAVE
LLC4501403	IMPELLER SIDE SHEAVE BUSHING
LLC4501403B	SQUARE KEY, 1/2" x 3-1/2" LG
LLC4501405	IMPELLER SHAFT
LLC4501406A	BEARING
LLC481604	LEAF COLLECTOR HOSE, 16" x 10-FT
LLC481609	RUBBER HOSE, 16" DIA. x 4-FT
LLC48161309	CLEAR HOSE, 16" DIA., .06" WALL
LLC48161310	CLEAR HOSE, 16" DIA. x 10-FT
LLC48161312	CLEAR HOSE, 16" DIA. x 12-FT, .06" WALL
LLC48161315	CLEAR HOSE, 16" DIA. x 15-FT
LLC481615	LEAF COLLECTOR HOSE, 16" x 8'-4"
LLC481616	RUBBER HOSE, 16" DIA. x 5-FT
LLC481809	LEAF COLLECTOR HOSE, 18" DIA. x 10-FT
LLC48181010	CLEAR HOSE, 18" DIA. x 10-FT
LLC48900006	CLUTCH DISC FOR 1-3/4" SPLINE
LLC52320009	WATER TEMP SENDER
LLC5501006	EXHAUST DUCT
LLC5501007	EXHAUST DUCT ADJUSTER PLATE
LLC5501007G	EXHAUST DUCT GASKET
LLC5501800B	PIN
LLC5501801	CHAIN
LLC5501812	BOOM SWIVEL
LLC580XZ	POWER BAND BELT
LLC6002213	PEDESTAL UTILITY DOOR

ODB

LLC6002214	HINGE
LLC6002250	BELT GUARD DOOR
LLC6002251	BELT GUARD INSIDE COVER
LLC6002252	HINGE
LLC6002322	POWER CORD
LLC6002322B	BOOM HARNESS (AFTER 2010)
LLC6002431C	LIMIT SWITCH HARNESS
LLC6003028	CW IMPELLER FAN, 30"
LLC62050DX	PILOT BEARING
LLC62538	HOUR METER
LLC62540	TEMPERATURE GAUGE
LLC62542	OIL PRESSURE GAUGE
LLC62551	FUEL GAUGE
LLC62555	VOLT METER
LLC63524	TACHOMETER
LLC641051	LIMIT SWITCH
LLC6502128	HINGE
LLC6502201	BLOWER HOUSING FACE
LLC6502322	UP/DOWN SWITCH HARNESS
LLC6502701	MUFFLER
LLC651606	LIMIT SWITCH
LLC75021	KEEPER
LLC75022	ROD BRACKET
LLC75023	ROD BRACKET BACK
LLC75025	LOCK ROD SPACER SLEEVE
LLC750299	LOCK DOWN BRACKET
LLC77001004	EXHAUST DUCT
LLC770020160	INTAKE ELBOW, 18"
LLC8001011	STANDARD CRADLE ARM
LLC8001012	DOWN EXHAUST BOX CRADLE ARM
LLC8001902	FRONT PANEL
LLC8001904	SIDE STIFFENER
LLC8001905	REAR PANEL
LLC8002322	POWER CORD

START SAVING TODAY! CONTACT LACAL BY PHONE 800-543-6161 or EMAIL SALES@LACAL.COM

ALL PARTS ARE GUARANTEED TO MEET WITH YOUR APPROVAL. Local Equipment, Inc. offers after-market parts for road and highway maintenance equipment. All original equipment manufacturer's names, drawings, colors and part numbers are used for identification purposes only. Local is in no way implying that any of our products are original equipment parts.

THESE ARE OUR MOST POPULAR REPLACEMENT PARTS • MANY MORE PARTS AVAILABLE – JUST ASK!



ODB

LLC8002705A	BELT DRIVE SHAFT, AFTER 02/12
LLC8002705AOS	BELT DRIVE SHAFT, BEFORE 02/12
LLC8002751	COVER PLATE
LLC8002801	DIRECT-DRIVE EXHAUST DUCT
LLC8002802	EXHAUST ADJUSTABLE FLANGE
LLC8002803	DIRECT-DRIVE EXHAUST DUCT GASKET
LLC8002805	ADJUSTABLE FLANGE BELT DRIVE, 07/05 & AFTER
LLC8003002	HYDRAULIC PARKING JACK ASSEMBLY
LLC8003006	TOP CYLINDER PIN
LLC8003008	CAP WELDMENT
LLC8003010	UPPER FRAME, JACK ASSEMBLY
LLC8003011	LOWER FRAME, JACK ASSEMBLY
LLC8003028	DIRECT-DRIVE CCW FAN, 30", TIER 4
LLC8003502	FUEL CAP
LLC800425	MERCURY SWITCH ASSEMBLY
LLC800428	MERCURY SWITCH ONLY
LLC800432	LIMIT SWITCH PLATE
LLC800433	LIMIT SWITCH
LLC8004606	BACK DOOR LIMIT SWITCH
LLC800702HA	SPROCKET, 18 TOOTH
LLC800703A	SPROCKET, 54 TOOTH
LLC800707	BOOM MAST
LLC800707B	BOOM MAST
LLC80712	NUT
LLC816813	HOSE SUPPORT TUBE, 18"
LLC816813D	BUSHING, 7/8" x 5/8" x 1/2" LG
LLC84134	VOLT METER
LLC8X002F	BUSHING, CONNEX, 7/8" x 5/8" x 1"
LLC8X002G	BUSHING, 1" I.D. x .375" O.D. x 1"
LLC9341A7000	FUEL SENDER
LLC9576	IGNITION SWITCH, PULL TYPE
LLC9603273	OIL PRESSURE SWITCH
LLCAT35158	RADIATOR FAN
LLCB333155	MOTOR MOUNT

ODB

LLCE59M30C	PROXIMITY SWITCH
LLCFD20651	THROW OUT BEARING
LLCFDF20651	THROW OUT BEARING, NEW STYLE
LLCG065012	AIR CLEANER ASSEMBLY WITH FILTER
LLCH001251	AIR PRE-CLEANER, 6.5"
LLCLCB5009	DEBRIS BOX CONTAINER, 9-FT
LLCLCMDH1872	EXHAUST HOSE
LLCLCT600038	IMPELLER FOR 6000
LLCLCT60033	CW LEAF FAN, 32"
LLCLCT600603	INNER BEARING PLATE
LLCLCT600611	OUTER BEARING PLATE
LLCLCT600615	BELT DRIVE SHAFT PROTECTOR
LLCLCT600699	VENT
LLCLCT6033	CCW IMPELLER LEAF FAN, 32"
LLCLCT6046031	ENGINE ADJUSTER NUT
LLCLCT6046031A	ENGINE ADJUSTER BRACKET
LLCLCT6046032	ADJUSTABLE MOTOR MOUNT
LLCLCT60624	LIFT AND TURN LATCH
LLCLCT60629	HOSE SUPPORT
LLCLCT60642	SUPPORT CHAIN
LLCLCT60645	QUICK RELEASE HOSE CLAMP
LLCLCT60652	SHAFT PROTECTOR FOR DIRECT-DRIVE ONLY
LLCLCT60702	GRADUAL 90-DEGREE DUCT
LLCLCT613601B	RH FENDER
LLCLCT613602B	LH FENDER
LLCLCT616601	SUCTION NOZZLE, NEWER STYLE, 16"
LLCLCT616601120S	SUCTION NOZZLE, OLD STYLE, 12"
LLCLCT616601180	SUCTION NOZZLE, OLD STYLE, 18"
LLCLCT616601MA	NOZZLE, 45-DEGREE
LLCLCT6166010S	SUCTION NOZZLE, OLD STYLE
LLCLCT616603U	HOSE CLAMP, 3/8" THICK HOSE
LLCLCT61660418	INTAKE FLANGE
LLCLCT616607	HOSE SUPPORT HANGER
LLCLCT616616	HOSE CLAMP, BOLT STYLE, 16"

START SAVING TODAY! CONTACT LACAL BY PHONE 800-543-6161 or EMAIL SALES@LACAL.COM

ALL PARTS ARE GUARANTEED TO MEET WITH YOUR APPROVAL. Local Equipment, Inc. offers after-market parts for road and highway maintenance equipment. All original equipment manufacturer's names, drawings, colors and part numbers are used for identification purposes only. Local is in no way implying that any of our products are original equipment parts.

THESE ARE OUR MOST POPULAR REPLACEMENT PARTS • MANY MORE PARTS AVAILABLE – JUST ASK!



ODB

LLCLCT616618	HOSE CLAMP, BOLT STYLE, 18"
LLCLCT617604	FLOW CONTROL VALVE
LLCLCT620601	BLOWER HOUSING BACK
LLCLCT620602	LINER SET
LLCLCT62060230	LINER SET
LLCLCT620602A	BOLT-IN LINER
LLCLCT620602U	URETHANE LINER SET
LLCLCT620604	STRAIGHT LINER
LLCLCT621601FB	BLOWER HOUSING COVER
LLCLCT621601FB1	BLOWER HOUSING FACE
LLCLCT621603	INSPECTION DOOR HINGE
LLCLCT621610	DISCHARGE DUCT
LLCLCT621611	TRANSITION WELDMENT, 21" OAL, BEFORE 2001
LLCLCT621611A	TRANSITION, 43" OAL, 2001-2008
LLCLCT621611B	TRANSITION, 61" OAL, 2009-
LLCLCT622602L	LATCH
LLCLCT622623	PINTLE EYE ONLY
LLCLCT622623A2	PINTLE BRACKET WITH U-CHANNEL
LLCLCT622624	PARKING JACK
LLCLCT622626	POWER CORD
LLCLCT623001A	THROTTLE CABLE, 10-FT
LLCLCT630101	IMPELLER BUSHING
LLCLCT630102	SHAFT PROTECTOR
LLCLCT630602	LINER SET
LLCLCT630602A	BOLT-IN LINER
LLCLCT630603	STRAIGHT LINER
LLCLCT620603D	SHORT LINER
LLCLCT650	IMPELLER SHAFT
LLCLCT6500	IMPELLER SHAFT
LLCLCT650114	RADIATOR SCREEN CLAMP
LLCLCT650601F	FLAT KEY FOR BELT DRIVE UNITS
LLCLCT650601KSP	STEP-DOWN KEY - SPECIAL
LLCLCT650602	BEARING

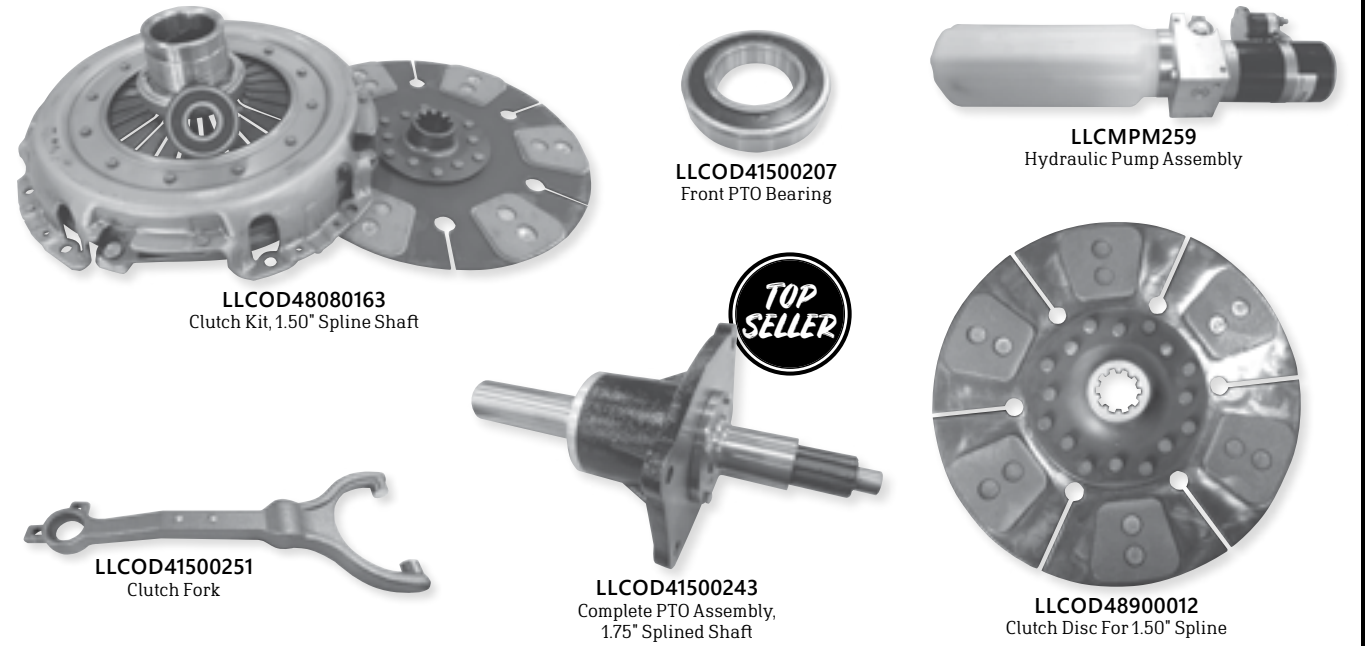
ODB

LLCLCT650602C	BEARING COLLAR
LLCLCT650602D	SPACER
LLCLCT650603	SHEAVE, 7-3/4" O.D.
LLCLCT65060311A	SHEAVE, 11.35" O.D.
LLCLCT650606	POWER BAND
LLCLCT650608	DISCHARGE HOSE SUPPORT STAND
LLCLCT650609	STRAIGHT DUCT
LLCLCT650610	GRADUAL 90-DEGREE DUCT
LLCLCT650611	SQUARE TO ROUND DUCT TRANSITION
LLCLCT650623	ENGINE COVER, RIGHT PANEL
LLCLCT650624	INTAKE ELBOW
LLCLCT650625	ENGINE COVER, FRONT PANEL
LLCLCT650628	FENDER
LLCLCT650660	ENGINE COVER, TOP PANEL
LLCLCT650661	ENGINE COVER, LEFT PANEL
LLCLCT650662	ENGINE COVER, LEFT PANEL FUEL ACCESS
LLCLCT650663	LH LOWER SIDE PANEL
LLCLCT650664	RH LOWER SIDE PANEL
LLCLCT650665	ROCKER SWITCH PANEL
LLCLCT650667	PEDESTAL DOOR
LLCLCT650668	RADIATOR DOOR
LLCLCT650670	INSTRUMENT GAUGE PANEL
LLCLCT651601	BLOWER HOUSING FACE, LCT/SKB 650
LLCLCT690601	LIMIT SWITCH
LLCLCT690602	LIMIT SWITCH WIRE
LLCMET633901M	GROMMET
LLCMP03335	SOLENOID
LLCMP03406	UP/DOWN BOOM SWITCH
LLCMP03773	POWER CORD
LLCMP06214	PLASTIC RESERVOIR, 3.5" x 12.4"
LLCMP06231	PLASTIC RESERVOIR
LLCMP06232	PLASTIC RESERVOIR, 3.5" X 15.7"
LLCMP07892	CLAMP
LLCMP07993	UP/DOWN CONTROL BOX (ORANGE)

START SAVING TODAY! CONTACT LACAL BY PHONE 800-543-6161 or EMAIL SALES@LACAL.COM

ALL PARTS ARE GUARANTEED TO MEET WITH YOUR APPROVAL. Lecal Equipment, Inc. offers after-market parts for road and highway maintenance equipment. All original equipment manufacturer's names, drawings, colors and part numbers are used for identification purposes only. Lecal is in no way implying that any of our products are original equipment parts.

THESE ARE OUR MOST POPULAR REPLACEMENT PARTS • MANY MORE PARTS AVAILABLE – JUST ASK!



ODB

LLCMP08053	12V DC MOTOR
LLCMP08711	END CAP BRUSH ASSEMBLY
LLCMP19283D	BOOM PUMP SOLENOID
LLCMPCS15012	BOOM CYLINDER
LLCMPM259	HYDRAULIC PUMP ASSEMBLY
LLCOD35000043	BOLT
LLCOD35000050	NUT
LLCOD35000162	BOLT
LLCOD400202	PTO BEARING RETAINING COVER
LLCOD41500001	PIVOT BALL
LLCOD41500019	ROD END LINKAGE
LLCOD41500045	SHAFT BUSHING
LLCOD41500060	PRESSURE PLATE, 13", 12 SPRING FOR 1-3/8" SHAFT
LLCOD41500065	LINKAGE ROD, 3/8-24 x 4-1/4
LLCOD41500066	LINKAGE ROD, 3/8-24 x 3
LLCOD41500125	REAR PTO BEARING
LLCOD41500172	CLUTCH COVER
LLCOD41500174	CLIP SPRING IN FORK
LLCOD41500194	PTO ASSEMBLY FOR 1-3/8" SPLINED SHAFT
LLCOD41500196	PTO ASSEMBLY FOR 1-3/8" SPLINED SHAFT
LLCOD41500206	REAR PTO BEARING
LLCOD41500207	FRONT PTO BEARING
LLCOD41500209	PRESSURE PLATE, 16 SPRING
LLCOD41500217	PILOT BEARING
LLCOD41500242	PTO COLLAR
LLCOD41500243	COMPLETE PTO ASSEMBLY, 1-3/4" SPLINED SHAFT
LLCOD41500243KT	PTO/CLUTCH SERVICE KIT, 1-3/4" SPLINED SHAFT
LLCOD41500250	THROW OUT BEARING
LLCOD41500251	CLUTCH FORK (3/08 AND AFTER)
LLCOD41500252	COMPLETE PTO ASSEMBLY, 1-1/2" SPLINED SHAFT
LLCOD41500252KT	PTO/CLUTCH SERVICE KIT, 1-1/2" SPLINED SHAFT
LLCOD41500265	THROW OUT BEARING
LLCOD48080023A	CLUTCH KIT, 1-3/8" (STEIN)
LLCOD48080023KT	CLUTCH/PTO KIT, 1-3/8" SHAFT

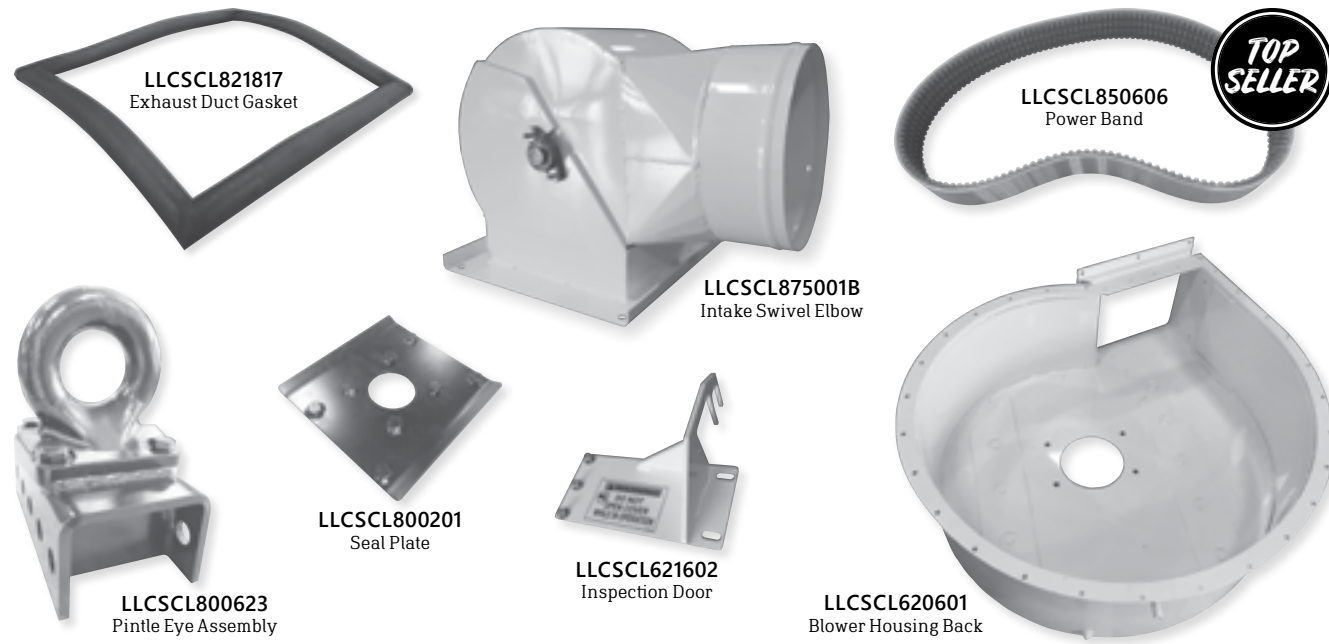
ODB

LLCOD48080154	CLUTCH ASSEMBLY, 1-3/8"
LLCOD48080163	CLUTCH KIT, 1-1/2" SPLINE SHAFT
LLCOD48080165	CLUTCH KIT, 1-3/4" SPLINE SHAFT
LLCOD48900003	CLUTCH DISC, 13"
LLCOD48900011	CLUTCH DISC, 1-3/8" SHAFT
LLCOD48900012	CLUTCH DISC FOR 1-1/2" SPLINE
LLCOD48900013	CLUTCH DISC FOR 1-3/4" SPLINE
LLCODM065074D2	MUFFLER
LLCP020227	BOWL
LLCP102805	DUST CAP
LLCP105532	ELBOW, 3" X 90-DEG
LLCP1230	PTO ASSEMBLY
LLCP181054	FILTER ELEMENT
LLCPSM7515	CLUTCH FORK
LLCPSM7522	CLUTCH FORK PIVOT BALL
LLCPSMK13	CLUTCH KIT
LLCPV101C	POWER VIEW DISPLAY MODULE
LLCRAS101	FAN (CHAFF ELIMINATOR)
LLCRAS105	SHAFT
LLCRAS111	DEFLECTOR (CHAFF ELIMINATOR)
LLCRAS114	ANGLE FRAME
LLCRAS200	CHAFF ASSEMBLY
LLCRAS201	FAN
LLCRAS202	SUPPORT FRAME
LLCRAS204	BEARING (CHAFF ELIMINATOR)
LLCRAS205	AIR DEFLECTOR
LLCRAS206	HINGE
LLCRAS207	SHAFT BRACKET
LLCRAS208	ANGLE FRAME, 3029 ONLY
LLCRE503242	FUEL INJECT. PUMP TEMP SWITCH
LLCRMB531	BUSHING
LLCSCL5CT1214	SIGHT GAUGE
LLCSCL609601B	BLOWER HOUSING SUPPORT PEDESTAL

START SAVING TODAY! CONTACT LACAL BY PHONE 800-543-6161 or EMAIL SALES@LACAL.COM

ALL PARTS ARE GUARANTEED TO MEET WITH YOUR APPROVAL. Lecal Equipment, Inc. offers after-market parts for road and highway maintenance equipment. All original equipment manufacturer's names, drawings, colors and part numbers are used for identification purposes only. Lecal is in no way implying that any of our products are original equipment parts.

THESE ARE OUR MOST POPULAR REPLACEMENT PARTS • MANY MORE PARTS AVAILABLE – JUST ASK!



**ODB**

LLCSCL620601	BLOWER HOUSING BACK
LLCSCL620601BD	BLOWER HOUSING BACK, BELT DRIVE ONLY
LLCSCL621601BD	BLOWER HOUSING FACE
LLCSCL621601BDA	BLOWER HOUSING FACE, BELT DRIVE - 3X
LLCSCL621601C	BLOWER HOUSING FACE, DIRECT
LLCSCL621602	INSPECTION DOOR
LLCSCL621603	SUPPORT BAR
LLCSCL621604	SUPPORT BAR BRACKET
LLCSCL6701	PIN
LLCSCL6702	STOP PIN HANDLE ASSEMBLY
LLCSCL6704	HANDLE ROD
LLCSCL800015	BODY PROP
LLCSCL800020	TAIL PIPE
LLCSCL800027A	RH DOOR (PASSENGER SIDE)
LLCSCL800027B	LH DOOR (DRIVER SIDE)
LLCSCL800028	HINGE
LLCSCL800029	HOOD SCOOP COMPLETE ASSEMBLY
LLCSCL800030	DOOR SEAL RUBBER
LLCSCL800201	SEAL PLATE (DIRECT DRIVE ONLY)
LLCSCL800202	RUBBER SEAL
LLCSCL800622	TONGUE, 12 FOOT
LLCSCL800623	PINTLE EYE ASSEMBLY
LLCSCL800624F	STOP FOOT
LLCSCL800624G	HYDRAULIC PARKING JACK ASSEMBLY
LLCSCL800827	TONGUE HOSE CLAMP ASSEMBLY
LLCSCL800880	NOSE CONE LINER
LLCSCL800881	DEFLECTOR RUBBER RETAINER
LLCSCL800DK	DECAL KIT
LLCSCL805810	SCREEN
LLCSCL805810ROL	HD SCREEN ROLL (36"W x 100-FT)
LLCSCL810820	OIL CAP, O-RING ASSEMBLY
LLCSCL816501	BEARING
LLCSCL816502	90 DEGREE FITTING
LLCSCL816606A	BOOM MAST

**ODB**

LLCSCL816810	HYDRAULIC CYLINDER, IN/OUT
LLCSCL816812	HYDRAULIC CYLINDER, UP/DOWN
LLCSCL816814	IN/OUT CYLINDER PIN
LLCSCL820875	EXHAUST DUCT, BEFORE 04/03
LLCSCL821817	EXHAUST DUCT GASKET, PRE 3/03
LLCSCL821817BD	EXHAUST DUCT GASKET, BELT DRIVE ONLY
LLCSCL821818	EXHAUST ADJ FLANGE, DIRECT-DRIVE, BEFORE 3/03
LLCSCL822619R	RIM ONLY
LLCSCL833604A	FUEL CAP & GAUGE
LLCSCL833607	PICKUP TUBE GASKET
LLCSCL850606	POWER BAND
LLCSCL875001A	INTAKE SWIVEL ELBOW
LLCSCL875001B	INTAKE SWIVEL ELBOW
LLCSCL875002	INTAKE FLANGE
LLCSKB700007A	BLOWER HOUSING FACE, 0 DEG.
LLCSKB875001A	INTAKE SWIVEL ELBOW, SKB
LLCSMK11CR	STEIN 11" CLUTCH KIT
LLCST40	STARTER SOLENOID
LLCSTD2003	SWITCH HARNESS, SAFETY LIGHT
LLCSTD2005	CIRCUIT BOARD
LLCSTD2320A	UP/DOWN SWITCH ASSEMBLY
LLCSTD2321C	PUSH BUTTONS WITH HARNESS
LLCSTD2324	HARNESS PLUG, CONVERT
LLCSTD2702	CLAMP
LLCSTD2900B	HARNESS KIT
LLCSTD2919	SQUARE FLANGE RECEPTACLE, 9-PIN
LLCSTD3000	REMOTE CLUTCH/THROTTLE CIRCUIT
LLCSTD3040B1	E-STOP SWITCH
LLCSTD4000	LIMIT SWITCH BOX
LLCSTD4000A	LIMIT SWITCH BOX ASSEMBLY
LLCSTD4001	LIMIT SWITCH ACTUATOR
LLCSTD4204	JOYSTICK-BLACK/YELLOW BUTTONS
LLCSTD6300	INSTRUMENT PANEL COMPLETE
LLCSTD6304	WIRING PLUG BRACKET

START SAVING TODAY! CONTACT LACAL BY PHONE 800-543-6161 or EMAIL SALES@LACAL.COM

ALL PARTS ARE GUARANTEED TO MEET WITH YOUR APPROVAL. Lecal Equipment, Inc. offers after-market parts for road and highway maintenance equipment. All original equipment manufacturer's names, drawings, colors and part numbers are used for identification purposes only. Lecal is in no way implying that any of our products are original equipment parts.

THESE ARE OUR MOST POPULAR REPLACEMENT PARTS • MANY MORE PARTS AVAILABLE – JUST ASK!



**ODB**

LLCSTD6308	LATCH
LLCSTD6309	LATCH HOOK
LLCSTD6556	CLUTCH ACTUATOR
LLCSTRO1	SINGLE TRIGGER
LLCTCC1100R	SOLENOID COIL, BOOM FUNCTIONS
LLCTCC1104	HYDRAULIC FILTER ASSEMBLY
LLCTCC1104B	FILTER ELEMENT ONLY
LLCTCC2060	DIODE
LLCUU199T52500H	LUBE HOSE, SHORT
LLCUU211330001	PRE-CLEANER, TURBO III
LLCUU81260	KNOB
LLCUUTFP103602	FLUID COUPLER SHAFT, 5.5"

**TARCO**

LLC129091	IMPELLER SHAFT
LLC216706	BEARING
LLC216809	SHAFT BEARING
LLC225841	LEAF FAN, 30"
LLC225901B	CW FAN, 30"
LLC237471	HOSE ADAPTER
LLC318891	CVM SUCTION NOZZLE
LLC403541	TRAILER JACK HYDRAULIC CYLINDER
LLC6000720	HOSE BOOM CYLINDER
LLC6001346	HOSE BOOM CONTROL BOX

**TARRANT**

LLC114591	LINER, 2 PIECES, .125" THICK
LLC114591A	LINER SET, TWO PIECES, 1/4"
LLC115643	DC POWER PACK
LLC12909	FAN SHAFT
LLC135981	PIN WELDMENT
LLC139101A	ENGINE ENCLOSURE SUPPORT
LLC139141	COMPARTMENT COVER WELDMENT
LLC139251	RUBBER HOSE BAND
LLC139891	RADIATOR COVER WELDMENT

**TARRANT**

LLC215181	OUTER BELT GUARD
LLC225901	FAN, 30" CW
LLC228821B	FAN, 36" CCW, 1/4" BLADES
LLC228821D	FAN, 36" CW, 1/4" BLADES
LLC228821DCCW	FAN, 36" CCW, 3/8" BLADES
LLC228828B	FAN, 36" CCW, 3/8" BLADES
LLC228828C	FAN, 33" CCW, 2-3/16"
LLC250561	DISCHARGE ASSEMBLY
LLC250681	BOOM ARM
LLC250761	FENDER
LLC251491A	TOP HAT, 30"
LLC251941C	MOTOR COVER ASSEMBLY, PTO END
LLC251971	MOTOR COVER TOP WELDMENT
LLC252211	MOTOR COVER RADIATOR END WELDMENT
LLC252361	HOSE CLAMP WELDMENT
LLC312292	INNER GUARD ASSEMBLY
LLC318701	BLOWER HOUSING COVER
LLC318849	INTAKE CHUTE
LLC33451	TOOL RACK
LLC481617	16" x 4-FT LEAF VAC HOSE WITH 4" & 18" CUFFS
LLC600021	IMPELLER BUSHING
LLC6000215	IMPELLER BUSHING
LLC90775	BUSHING
LLCA251491	DISCHARGE ELBOW EXT., 2-FT
LLCSK22701	RADIATOR SCREEN

**WHERE IS THE PART I NEED?**  
 This catalog is only a portion of the quality replacement parts that Lecal offers.  
**CALL 800.543.6161**  
 to access our full spectrum of parts for plows, sweepers, mowers and leaf machines.

START SAVING TODAY! CONTACT LACAL BY PHONE 800-543-6161 or EMAIL SALES@LACAL.COM

ALL PARTS ARE GUARANTEED TO MEET WITH YOUR APPROVAL. Lecal Equipment, Inc. offers after-market parts for road and highway maintenance equipment. All original equipment manufacturer's names, drawings, colors and part numbers are used for identification purposes only. Lecal is in no way implying that any of our products are original equipment parts.



THESE ARE OUR MOST POPULAR REPLACEMENT PARTS • MANY MORE PARTS AVAILABLE – JUST ASK!



*At Lecal Equipment,  
we take the task of meeting  
your needs seriously.*

Lecal is different. We think you'll notice right away with your first call that reaches a live person during business hours... and again with your first order that arrives in a timely manner.

We use the best materials and the finest craftsmanship in each and every Lecal Equipment product. Everything we do is done with integrity and pride.

We stand behind our work. All Lecal parts are guaranteed to meet your approval. We have been around for over 40 years – and we are looking forward to working with YOU.



**START SAVING TODAY! CONTACT LACAL BY PHONE 800-543-6161 or EMAIL [SALES@LACAL.COM](mailto:SALES@LACAL.COM)**

ALL PARTS ARE GUARANTEED TO MEET WITH YOUR APPROVAL. Lecal Equipment, Inc. offers after-market parts for road and highway maintenance equipment. All original equipment manufacturer's names, drawings, colors and part numbers are used for identification purposes only. Lecal is in no way implying that any of our products are original equipment parts.