

Larry's THUNDERBIRD
& MUSTANG
PARTS

\$2.00
2024/2025
EDITION

SERVING
THUNDERBIRD
ENTHUSIASTS
FOR OVER
50 YEARS

More Parts Than
Ever Before!

New Catalog!
New Part Numbers!
See Inside Cover
For More Details



1955-1957

THUNDERBIRD

RESTORATION PARTS AND ACCESSORIES



Ordering

(U.S.) 800-854-0393
951-270-3223

www.larrystbird.com
e-mail: info@larrystbird.com

Our Address

1180 California Ave. #B
Corona, California 92881

Store Hours:

Monday - Friday: 7am to 4pm



After More Than 50 Years, We Are Still Recognized as the Leader in the Industry

Thank you for requesting our latest Parts & Accessories Catalog for 1955-'57 Thunderbirds. We think you'll find this latest edition to be better than ever, with new parts added to help your restoration project. We continually strive to offer enthusiasts the finest selection of Thunderbird parts and accessories available so that each restoration project is an enjoyable experience. Because of your continued patronage, we are able to offer great prices on every item we sell. In fact, we have reduced prices on a number of parts, which means greater buying power for you.

The Biggest Selection of Parts

Whether it's a hard to find part or a standard Thunderbird replacement part, Larry's has what you're looking for. Our inventory of parts is concours-quality, and growing all of the time! Give us a call if you can't find the parts you need. Our knowledgeable parts specialists will be happy to help.

Ordering Is As Easy as a Phone Call Away

We offer a number of different ways for you to place your order. You may send in your order by email, call in your order or order from our website at www.larrystbird.com. If you need more information via e-mail, contact us at: info@larrystbird.com. Whichever route you choose, we'll process and ship your order as soon as possible.

A Guarantee Goes Along with Everything We Sell

Our goal is to make sure each customer is 100% satisfied with every purchase from Larry's Thunderbird & Mustang Parts! If you are not happy with your purchase, for any reason, let us know! We'll be happy to either refund, credit, or exchange the amount. Please take a moment to refer to the Ordering Information page in the center of this catalog for complete details on returns, damaged parts, or any other shipping questions.

Speedy & Efficient Shipping

Every order we receive gets special attention from the time it comes in to the moment it leaves our warehouse. Need special shipping arrangements? We offer One Day, Two Day & Three Day Service when requested, as well as regular Ground Service. Count on our efficient shipping department to get your order to you on time!

Owner: Larry Kooiman • 1956 Thunderbird



To our customers,

It is with great pleasure that we present our latest printed catalog. If you have received our catalogs in the past, you may notice some of the following improvements:

- Changes to our Item Numbers to accommodate our expansion into additional Ford models.
- Better and more accurate Item Descriptions, Applications, and Model Year Listings to increase selection accuracy and improve your shopping experience.
- An improved system for Item Categories and Sub-Categories to make it easier to find exactly what you're looking for.

We would also like to take this opportunity to thank you for allowing us to serve you. We are honored to be a part of your project or restoration experience.

Sincerely,
E. Brent Money, President

Table of Contents

2 Data Plate Information	53 Windshield, Windwing & Visor	87 Heating, Ventilation & A/C
4 Upholstery & Related Trim	54 Dash, Console & Underdash Area	90 Doors & Windows
17 Wheel & Wheel Covers	60 Generator & Alternator	98 Rear Quarter Panel Area
19 Spare Wheel	61 Battery	99 Trunk & Rear Body Area
20 Brakes	63 Starter	104 Hard & Soft Top Parts
26 Suspension	64 Ignition & Distributor	111 Seat Hardware
29 Steering	66 Exterior Lamps	112 Plugs, Grommets & Bumpers
34 Rear Axle & Drive Train	70 Turn Signal & Horn	113 Body Weatherstripping
35 Exhaust System	71 Bulb & Fuses	118 Emblems
38 Engine Compartment	73 Wiring	120 Body Panels
42 Transmission	75 Power Windows & Seats	122 Hardware & Attaching Parts
45 Cooling System & Grille	77 Fenders & Hood Area	128 Radio
48 Fuel & Carburetor System	79 Instruments & Gauges	130 Accessories
	82 Windshield Wiper & Washer	134 Car Care
	84 Mirror	135 Literature & Manuals
	85 Bumpers	138 Decals
		140 Paints & Dyes
		141 Tools
		141 Shop Supplies
		143 Index
		144 Ordering Information



We Also Sell
Used Parts

Teamco

About Our Pricing: At Larry's we strive to maintain the lowest prices possible. However, due to constantly changing market conditions, we are not always able to maintain prices listed in this catalog. We reserve the right to change prices without prior notice. Thank you for your understanding.

DATA PLATE INFORMATION

ASSEMBLY PLANT (Dearborn) _____ BODY STYLE (T-Bird) _____
 MODEL YEAR (1956) _____
 a/ ENGINE CODE (292 C.I.) _____ CONSECUTIVE UNIT NO. (All Ford cars assembled) _____


SERIAL NO. * P 6 F H 221739 *

This vehicle is constructed under U.S. Letters Patent

XXXXXXXX XXXXXXXX XXXXXXXX XXXXXXXX
 XXXXXXXX XXXXXXXX XXXXXXXX XXXXXXXX

Other Patents Pending

BODY	COLOR*	TRIM	PRODUCTION CODE
40 A	K	X B	13 B SD 155

Made in U.S.A. by  Reg. U.S. Patent Office

b/ BODY TYPE 40A K XB 13 B SD 155 SCHEDULED ITEM NO. d/
 c/ BODY COLOR (Fiesta Red) _____ DEALER CODE e/
 TRIM COLOR (Red & White) _____ MONTH (February)
 _____ DAY OF MONTH

- a/ Either 193 HP w/3-speed transmission or 198 HP w Fordomatic or Overdrive. d/ 155th automobile (not only T-Birds) scheduled to be assembled on 2/13/56.
- b/ All '55 & '56 models were coded 40A, whereas all '57 models were coded 40. e/ SD signifies a Boston, Mass. dealer ordered this particular car.
- c/ Body color & hardtop. If a second letter shows, it indicates a different color for hardtop.

INTERIOR TRIM

1955	A or XA	Black & White	1957	XA	Pleated Raven Vinyl & Pleated Colonial Vinyl
	B or XB	Red & White		XH	Pleated Flame Vinyl
	C or XC	Turquoise & White		XJ	Pleated Bronze Vinyl
	D or XD	Black & Yellow		XK	Pleated Colonial Vinyl
1956	XA	Black & White Vinyl		XL	Pleated Dresden Vinyl & Pleated Starmist Vinyl
	XB	Red & White Vinyl		XM	Pleated Cumberland Vinyl & Pleated Willow Vinyl
	XC	Dk. Peacock & White Vinyl			
	XF	Green & White Vinyl			
	XG	Brown & White Vinyl			

EXTERIOR PAINT

1955	A	Raven Black	1957	A	Raven Black
	E	Snowshoe White		E	Colonial White
	R	Torch Red		F	Starmist Blue
	T	Thunderbird Blue		J	Willow Green
	V	Goldenrod Yellow		N	Gunmetal Gray
1956	A	Raven Black		Q	Thunderbird Bronze
	E	Colonial White		V	Flame Red
	J	Buckskin Tan		X	Dusk Rose
	K	Fiesta Red		Y	Inca Gold
	L	Peacock Blue		Z	Coral Sand
	M	Goldenglow Yellow	1958		Colors added or substituted for 1957 colors when 1957 Birds were being built with 1958 Fords:
	X	Navajo Gray		G	Sun Gold
	Y	Sunset Coral		R	Torch Red
	Z	Thunderbird Green		L	Azure Blue
	T	Thunderbird Gray		H	Gunmetal Gray
				N	Seaspray Green

ENGINE CODES

Year	Code	Engine	Carb.	Transmission	HP
1955	P	292	4V	3-speed	193
	P	292	4V	Fordomatic	198
	P	292	4V	Overdrive	198
1956	M	292	4V	3-speed	202
	P	312	4V	Overdrive	215
	P	312	4V	Fordomatic	225
	P	312	8V	3-sp or OD	260
1957	C	292	2V	3-speed	212
	D	312	4V	Fdmtc or OD	245
	E	312	8V	any	270
	F	312	4V	any	*300

* Supercharged

DISTRICT CODES

Sales Area Codes (letters & numbers never used together):

11/SD	Boston
12/BF	Buffalo
13/BX	New York
14/PI	Pittsburgh
15	Newark
21/NK	Atlanta
22/CE	Charlotte
23/DI	Philadelphia
24/KJ	Jacksonville
25/RP	Richmond
26/DC	Washington, D.C.
31/CI	Cincinnati
32/CL	Cleveland
33/DD	Detroit
34/NP	Indianapolis
35/FX	Lansing
36/LX	Louisville (Deviations)
41/CX	Chicago
42/RG	Fargo
43/KE	Rockford
44/SP	Twin Cities
45/DO	Davenport
51/DN	Denver
52/LS	Des Moines
53/KS	Kansas City
54/NB	Omaha
55/SL	St. Louis
61/DP	Dallas
62/SU	Houston
63/GB	Memphis
64/NR	New Orleans
65/KL	Oklahoma City
71/LP	Los Angeles
72/SK	San Jose
73/SC	Salt Lake City
74/SE	Seattle
81/CA	Ford of Canada
82/EX	FMC Export Ops., New Jersey
84/HO	FMC Trans. & Equip. Dept.

TRANSMISSION TYPE CODES

(Shows on late 1957 type data plates only.)

Code	Transmission
1	3-speed Manual Shift
2	Overdrive
3	Fordomatic (two-speed)

Some 1957 Thunderbirds had a trim deviation number after the color code. This late color deviation is not 100% accurate and should be considered only as information showing a very late car.

Rear Axle Ratio Codes - 1955

Rear Axle Ratio

3.56 to 1	Standard 3-Speed
3.73 to 1	Standard Overdrive
3.30 to 1	Ford-O-Matic

Rear Axle Ratio Codes - 1956

Rear Axle Ratio

3.56 to 1	3-Speed
3.73 to 1	Standard Overdrive
3.31 to 1	Ford-O-Matic

Rear Axle Ratio Codes - 1957

Rear Axle Ratio

3.70 to 1	Code 3 • Std. Overdrive
3.10 to 1	Code 3 • Ford-O-Matic
3.56 to 1	Code 3 • Std. 3-Speed

First & Last Thunderbird Numbers

(Intermixed With Passenger Cars)

Date		1955
9-9-54	P5FH	100,005
9-14-55	P5FH	260,557
Total (Thunderbirds)		16,155

Date		1956
10-17-55	P6FH	102,661
8-24-56	P6FH	359,516
Total (Thunderbirds)		15,631

Date		1957
9-14-56	D7FH	100,010
12-13-57	E7FH	395,813
Total (Thunderbirds)		21,380

Months Of The Year Codes

Year			Year			Year		
Month	First	Second	Month	First	Second	Month	First	Second
January	A	N	May	E	S	September	J	W
February	B	P	June	F	T	October	K	X
March	C	Q	July	G	U	November	L	Y
April	D	R	August	H	V	December	M	Z

When You Are Ready For Concours-Quality Upholstery, You Are Ready for Larry's Upholstery!

Our Personal Commitment to Quality,
Authenticity and Your Satisfaction are a
part of Every Upholstery Item We Supply.

- ✓ Naugahyde Vinyls, which are the same fabrics that were used originally.
- ✓ American-Made Bonded Dacron Polyester Thread. It wears like iron and won't fade, fray or come apart like cheaper threads!
- ✓ All items are Color-Matched to original factory specifications.
- ✓ We use the Best Foam Rubber Available in Seat Inserts, which guarantee a long-lasting wrinkle-free pleat.
- ✓ Heavy Backing for Underside of Seat Inserts.
- ✓ Correct Number of Pleats on Seat Inserts, with Evenly Spaced Stitching for Consistency in Look in Construction.
- ✓ All French Seams are sewn with a Double-Needle Machine to achieve a Straight, Parallel Seam.

The Best Sewing Machine Operators in the Business! We take Pride in our work and make sure each upholstery item is The Very Best!

Each Upholstery item that Larry's sends out has Our Guarantee that you will be Completely Satisfied. Period.

The interior of your Thunderbird can sometimes be more difficult to restore and care for than the exterior. For that reason, the interior portion of your restoration project is crucial and will usually have need for the most attention.

Because you are paying this much attention to detail you don't have the time to worry about upholstery that doesn't match in color, vinyl that doesn't have the right grain, or stitching that is not straight and uniform. Getting the correct upholstery items the first time around saves heartache, headaches, and money in the long run.

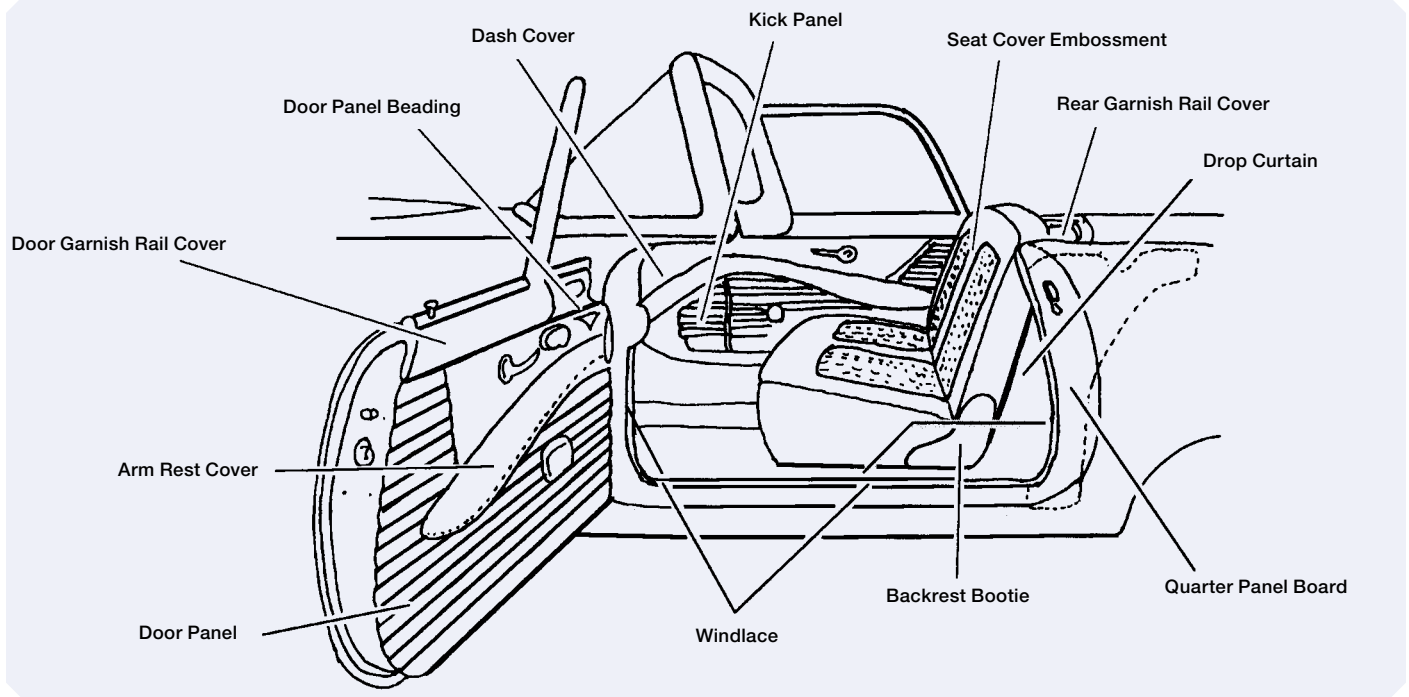
There is an ultimate benefit in restoring your Thunderbird's interior correctly-increased value of your car! A properly restored interior not only looks good but it can make you money too. It adds untold dollars to the resale value of your vehicle.

At Larry's we offer only concours-quality upholstery, made from the finest materials available to you.

There really is more to the construction of quality upholstery than meets the eyes, but with features like these and a surefire guarantee going into each piece, you can be assured that your interior will be first-class. Your reward will be your own satisfaction from doing the job right as well as the admiration of everyone who sees your restored Thunderbird.



Committed to Excellence



When you are ready to redo the upholstery in your Thunderbird, it is always best to buy items at the same time to ensure dye lot consistency in vinyls and carpets. Your time is also a valuable commodity these days. Each trip to the phone or store to order more parts means more down time. Wouldn't you rather spend that time working on your car? Try our Complete Upholstery Kit to save time, money and the inevitable forgetting something that I needed syndrome!

Larry's Complete Upholstery Kits Include the Following

- Seat Covers
- Backrest Cardboard
- Backrest Wings
- Backrest Booties
- Door Panels
- Kick Panels
- Quarter Panel Cardboard
- Windlace
- Arm Rest Covers
- Garnish Rail Covers
- Door Panel Beading
- Vinyl Floor Covers
- Dash Cover ('55 & 56 only)
- Drop Curtain
- Carpet with Jute Padding

UPHOLSTERY KITS

ORIGINAL UPHOLSTERY KITS WITHOUT SEAT EMBOSSEMENT

- Upholstery Kit, Black and White**
1955
UUK5501 1,314.00 Each
- Upholstery Kit, Green and White**
1955
UUK5502 1,314.00 Each
- Upholstery Kit, Red and White**
1955
UUK5503 1,314.00 Each
- Upholstery Kit, Black and Yellow**
1955
UUK5504 1,314.00 Each
- Upholstery Kit, Black and White**
1956
UUK5601 1,329.60 Each
- Upholstery Kit, Buckskin and White**
1956
UUK5602 1,329.60 Each
- Upholstery Kit, Green and White**
1956
UUK5603 1,329.60 Each

- Upholstery Kit, Peacock and White**
1956
UUK5604 1,329.60 Each
- Upholstery Kit, Red and White**
1956
UUK5605 1,329.60 Each
- Upholstery Kit, Black and White**
1957
UUK5701 1,329.60 Each
- Upholstery Kit, Blue**
1957
UUK5702 1,329.60 Each
- Upholstery Kit, Bronze**
1957
UUK5703 1,329.60 Each
- Upholstery Kit, Green**
1957
UUK5704 1,329.60 Each
- Upholstery Kit, Red**
1957
UUK5705 1,329.60 Each
- Upholstery Kit, Red and White**
1957
UUK5706 1,350.00 Each
- Upholstery Kit, White**
1957
UUK5707 1,329.60 Each

Continued on the next page

ORIGINAL UPHOLSTERY KITS WITH SEAT EMBOSSEMENT

- Upholstery Kit, Black and White with Embossment**
1956
UUKE5601..... 1,353.60 Each
- Upholstery Kit, Buckskin and White with Embossment**
1956
UUKE5602 1,353.60 Each
- Upholstery Kit, Green and White with Embossment**
1956
UUKE5603 1,353.60 Each
- Upholstery Kit, Peacock and White with Embossment**
1956
UUKE5604 1,353.60 Each
- Upholstery Kit, Red and White with Embossment**
1956
UUKE5605 1,353.60 Each
- Upholstery Kit, Black and White with Embossment**
1957
UUKE5701..... 1,353.60 Each
- Upholstery Kit, Blue with Embossment**
1957
UUKE5702..... 1,353.60 Each
- Upholstery Kit, Bronze with Embossment**
1957
UUKE5703..... 1,353.60 Each
- Upholstery Kit, Green with Embossment**
1957
UUKE5704..... 1,353.60 Each
- Upholstery Kit, Red with Embossment**
1957
UUKE5705..... 1,353.60 Each
- Upholstery Kit, Red and White with Embossment**
1957
UUKE5706..... 1,374.00 Each
- Upholstery Kit, White with Embossment**
1957
UUKE5707..... 1,353.60 Each

LEATHER UPHOLSTERY KITS

- Upholstery Kit, Black and White Leather**
1955
UUKL5501..... 2,394.00 Each

- Upholstery Kit, Green and White Leather**
1955
UUKL5502..... 2,394.00 Each
- Upholstery Kit, Red and White Leather**
1955
UUKL5503..... 2,394.00 Each
- Upholstery Kit, Black and Yellow Leather**
1955
UUKL5504..... 2,394.00 Each
- Upholstery Kit, Black and White Leather**
1956
UUKL5601..... 2,779.20 Each
- Upholstery Kit, Buckskin and White Leather**
1956
UUKL5602..... 2,779.20 Each
- Upholstery Kit, Green and White Leather**
1956
UUKL5603..... 2,779.20 Each
- Upholstery Kit, Peacock and White Leather**
1956
UUKL5604..... 2,779.20 Each
- Upholstery Kit, Red and White Leather**
1956
UUKL5605..... 2,779.20 Each
- Upholstery Kit, Black and White Leather**
1957
UUKL5701..... 2,756.04 Each
- Upholstery Kit, Blue Leather**
1957
UUKL5702..... 2,756.04 Each
- Upholstery Kit, Bronze Leather**
1957
UUKL5703..... 2,756.04 Each
- Upholstery Kit, Green and Green Leather**
1957
UUKL5704..... 2,756.04 Each
- Upholstery Kit, Red Leather**
1957
UUKL5705..... 2,756.04 Each
- Upholstery Kit, White Leather**
1957
UUKL5706..... 2,756.04 Each



All of our seat cover sets include cushion and backrest covers, backrest hinge "booties", and the "wings" that go between the edge of the backrest and the backrest cardboard. All covers are sewn and constructed in exactness to duplicate the original Thunderbird style in every way possible. We guarantee them to fit properly without any modifications to your car. In fact, we feel these seat covers are better than what originally came in your Thunderbird from the factory! Covers are listed in color combinations as applied to each model year.

SEAT COVERS

ORIGINAL SEAT COVERS WITHOUT EMBOSSEMENT

- Seat Cover, Black and White**
1955
USC5501..... 430.80 Pair
- Seat Cover, Green and White**
1955
USC5502..... 430.80 Pair
- Seat Cover, Red and White**
1955
USC5503..... 430.80 Pair
- Seat Cover, Yellow and Black**
1955
USC5504..... 430.80 Pair
- Seat Cover, Black and White**
1956
USC5601..... 455.94 Pair
- Seat Cover, Buckskin and White**
1956
USC5602..... 455.94 Pair
- Seat Cover, Green and White**
1956
USC5603..... 455.94 Pair
- Seat Cover, Peacock and White**
1956
USC5604..... 455.94 Pair
- Seat Cover, Red and White**
1956
USC5605..... 455.94 Pair
- Seat Cover, Black and White**
1957
USC5701..... 455.94 Pair
- Seat Cover, Blue**
1957
USC5702..... 455.94 Pair
- Seat Cover, Bronze**
1957
USC5703..... 455.94 Pair

Seat Cover, Green

- 1957
USC5704..... 455.94 Pair

Seat Cover, Red

- 1957
USC5705..... 455.94 Pair

Seat Cover, Red and White

- 1957
USC5706..... 455.94 Pair

Seat Cover, White

- 1957
USC5707..... 455.94 Pair

ORIGINAL SEAT COVERS WITH EMBOSSEMENT

- Seat Cover, Black and White with Embossment**
1956
USCE5601..... 491.94 Pair
- Seat Cover, Buckskin and White with Embossment**
1956
USCE5602..... 491.94 Pair
- Seat Cover, Green and White with Embossment**
1956
USCE5603..... 491.94 Pair
- Seat Cover, Peacock and White with Embossment**
1956
USCE5604..... 491.94 Pair
- Seat Cover, Red and White with Embossment**
1956
USCE5605..... 491.94 Pair
- Seat Cover, Black and White with Embossment**
1957
USCE5701..... 491.94 Pair
- Seat Cover, Blue with Embossment**
1957
USCE5702..... 491.94 Pair

Continued on the next page

Seat Cover, Bronze with Embossment

1957
USCE5703..... 491.94 Pair

Seat Cover, Green with Embossment

1957
USCE5704..... 491.94 Pair

Seat Cover, Red with Embossment

1957
USCE5705..... 491.94 Pair

Seat Cover, Red and White with Embossment

1957
USCE5706..... 491.94 Pair

Seat Cover, White with Embossment

1957
USCE5707..... 491.94 Pair

Our Leather Seat Cover Sets are hand-crafted from premium grade vat-dyed hides to our exacting standards for fit, finish and color selection. Leather seating will add comfort and increased value to your T-Bird. We recommend purchasing Leather Arm Rest Covers (page 8) and Garnish Rail Covers (page 7) for color match.

LEATHER SEAT COVERS

Seat Cover, Black and White Leather

1955
USCL5501..... 1,560.00 Pair

Seat Cover, Green and White Leather

1955
USCL5502..... 1,560.00 Pair

Seat Cover, Red and White Leather

1955
USCL5503..... 1,560.00 Pair

Seat Cover, Yellow and Black Leather

1955
USCL5504..... 1,560.00 Pair

Seat Cover, Black and White Leather

1956
USCL5601..... 1,800.00 Pair

Seat Cover, Buckskin and White Leather

1956
USCL5602..... 1,800.00 Pair

Seat Cover, Green and White Leather

1956
USCL5603..... 1,800.00 Pair

Seat Cover, Peacock and White Leather

1956
USCL5604..... 1,800.00 Pair

Seat Cover, Red and White Leather

1956
USCL5605..... 1,800.00 Pair

Seat Cover, Black and White Leather

1957
USCL5701..... 1,680.00 Pair

Seat Cover, Blue Leather

1957
USCL5702..... 1,680.00 Pair

Seat Cover, Bronze Leather

1957
USCL5703..... 1,680.00 Pair

Seat Cover, Green Leather

1957
USCL5704..... 1,680.00 Pair

Seat Cover, Red Leather

1957
USCL5705..... 1,680.00 Pair

Seat Cover, White Leather

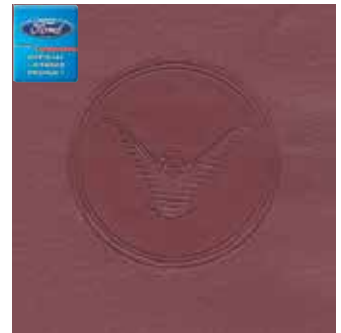
1957
USCL5706..... 1,680.00 Pair



1956 Red/White



1956 Crest



1957 'Bird

Seat Cover Embossment

All 1956 Thunderbirds, as well as early 1957's came from the factory with an embossment in the center of the backrest. The Ford "Crest" was featured on all 1956 models, while early 1957's featured the Thunderbird logo in use during that time period. Ford's method for applying this embossment was a combination of heat and pressure, a technique that has since become antiquated. Embossments tended to wear out prematurely and owners were left with a seat cover full of dimples where the design once was. Ford eventually discontinued embossments early on during the 1957 model year because their technique wasn't really working. Current technology has improved, allowing for embossments to be achieved through a process known as RFE (Radio Frequency Energy). RFE doesn't damage your vinyl and all embossments stay in place like they should. A proper and authentic embossment on your new seat cover (available for vinyl seat covers only) adds a nice extra touch when restoring to exact detail.

Give us a call if you can't find the parts you need. Our knowledgeable parts specialists will be happy to help!

Our Upholstery Installation Kit allows you to upholster like a professional! Each kit includes: (1) Set Hog Ring Pliers & 250 Hog Rings. Enough to do a complete project on a 1955-57 Thunderbird Interior.



SEAT UPHOLSTERY INSTALLATION KIT

Hog Ring Kit, with Pliers
1955 1956 1957
DSS04 14.89 Each

Hog Rings, 100 Pack
1955 1956 1957
DSS06 8.35 Each

Is your seat looking tired, saggy, and wrinkled? Your interior restoration project is incomplete without new foam and it's revitalizing characteristics. New seat foam will enable easier installation and proper fit of new seat covers. Don't purchase a new seat cover set without considering new seat foam.

SEAT FOAM SETS

Seat Foam
1955
DSF01 395.00 Set

Seat Foam
1956
DSF02 395.00 Set

Seat Foam
1957
DSF03 395.00 Set



Everyone knows the benefits of wearing seatbelts, both for safety reasons and state law requirements. Why not install an aftermarket set that meets all safety requirements and looks good in your Thunderbird. Our Seatbelt Kit includes belts and hardware for two passengers, and are easy to install in minutes

SEAT BELTS

Seat Belts, Black, Pair
1955 1956 1957
DSB034 104.27 Pair

Seat Belts, Red, Pair
1957
DSB036 104.27 Pair

Seat Belts, White, Pair
1955 1956
DSB037 104.27 Pair

Seat Belts, Buckskin, Pair
1956
DSB038 104.27 Pair

Seat Belts, Green, Pair
1956
DSB039 104.27 Pair

Seat Belts, Blue, Pair
1957
DSB042 104.27 Pair

Seat Belts, Green, Pair
1957
DSB044 104.27 Pair

Seat Belts, White, Pair
1957
DSB045 120.07 Pair

COMPLETELY CORRECT with original-type colored card-board, edged with CONCOURS-CORRECT EXTRUDED BINDING!



1955 Green

BACKREST BOARDS

Backrest Board, Black
UBR5501 56.65 Each

Backrest Board, Green
1955
UBR5502 56.65 Each

Backrest Board, Red
1955
UBR5503 56.65 Each

Backrest Board, Black
1956
UBR5601 56.65 Each

Backrest Board, Buckskin
1956
UBR5602 56.65 Each

Backrest Board, Green
1956
UBR5603 56.65 Each

Backrest Board, Peacock
1956
UBR5604 56.65 Each

Backrest Board, Red
1956
UBR5605 56.65 Each

Backrest Board, Blue
1957
UBR5701 56.65 Each

Backrest Board, Bronze
1957
UBR5702 56.65 Each

Backrest Board, Green
1957
UBR5703 56.65 Each

Backrest Board, Red
1957
UBR5704 56.65 Each

Backrest Board, White
1957
UBR5705 56.65 Each

The "Wings go on the rear of the Backrest to cover the gap between the Backrest and the Backrest Cardboard on the sides. Note: Backrest Wings Are Included with Seat Cover Sets.

BACKREST WINGS

Backrest Wings, Black
1955 1956
UWG5501 23.93 Pair

Backrest Wings, Green
1955
UWG5502 23.93 Pair

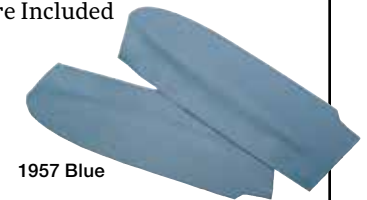
Backrest Wings, Red
1955
UWG5503 23.93 Pair

Backrest Wings, Buckskin
1956
UWG5601 23.81 Pair

Backrest Wings, Green
1956
UWG5602 23.93 Pair

Backrest Wings, Peacock
1956
UWG5603 23.93 Pair

Backrest Wings, Red
1956
UWG5604 23.93 Pair



1957 Blue

Backrest Wings, Black
1957
UWG5701 23.93 Pair

Backrest Wings, Blue
1957
UWG5702 23.93 Pair

Backrest Wings, Bronze
1957
UWG5703 23.93 Pair

Backrest Wings, Green
1957
UWG5704 23.93 Pair

Backrest Wings, Red
1957
UWG5705 23.93 Pair

Backrest Wings, White
1957
UWG5706 23.93 Pair



Backrest Booties are a custom-fit vinyl cover for the hinges that support your seatback. We cut them to fit snugly without binding between hinge and seat when folding upward, and are color-matched to go with original vinyls.
Note: Booties are included with our Seat Cover Sets.

BACKREST BOOTIES

- Backrest Booties, Black**
 1955 1956
 UBT5501 17.82 Pair
- Backrest Booties, Green**
 1955
 UBT5502 17.82 Pair

- Backrest Booties, Red**
 1955
 UBT5503 17.82 Pair
- Backrest Booties, Buckskin**
 1956
 UBT5601 17.82 Pair

- Backrest Booties, Green**
 1956
 UBT5602 17.82 Pair
- Backrest Booties, Peacock**
 1956
 UBT5603 17.82 Pair
- Backrest Booties, Red**
 1956
 UBT5604 17.82 Pair
- Backrest Booties, Black**
 1957
 UBT5701 17.82 Pair
- Backrest Booties, Blue**
 1957
 UBT5702 17.82 Pair
- Backrest Booties, Bronze**
 1957
 UBT5703 17.82 Pair
- Backrest Booties, Green**
 1957
 UBT5704 17.82 Pair
- Backrest Booties, Red**
 1957
 UBT5705 17.82 Pair
- Backrest Booties, White**
 1957
 UBT5706 17.82 Pair

DOOR AND WINDOW HANDLE REMOVAL TOOL

- Door and Window Handle Removal Tool**
 1955 1956 1957
 DTL02 6.38 Each

This is the Vinyl-Covered Door Panel Beading that fills in the gap at the front of the Aluminum Door Trim Panel along the top edge.

DOOR PANEL BEADING

- Door Panel Beading, Black**
 1955 1956
 UDB5501 16.20 Pair
- Door Panel Beading, Green**
 1955
 UDB5502 16.20 Pair
- Door Panel Beading, Red**
 1955
 UDB5503 16.20 Pair
- Door Panel Beading, Buckskin**
 1956
 UDB5601 16.20 Pair
- Door Panel Beading, Green**
 1956
 UDB5602 16.20 Pair
- Door Panel Beading, Peacock**
 1956
 UDB5603 16.20 Pair
- Door Panel Beading, Red**
 1956
 UDB5604 16.20 Pair
- Door Panel Beading, Black**
 1957
 UDB5701 16.20 Pair
- Door Panel Beading, Blue**
 1957
 UDB5702 16.20 Pair
- Door Panel Beading, Bronze**
 1957
 UDB5703 16.20 Pair
- Door Panel Beading, Green**
 1957
 UDB5704 16.20 Pair
- Door Panel Beading, Red**
 1957
 UDB5705 16.20 Pair
- Door Panel Beading, White**
 1957
 UDB5706 16.20 Pair



1957 Red



1956 White

Traditionally, door and kick panels suffer from years of use that they endure. Replacing them really is a painless process, and the sight of new-looking panels is wonderful. We die-cut all door and kick panels to ensure exact fit, then cover them in correct color-matched vinyl to duplicate the original. All panels of 1955 T-Birds are covered with either white or yellow vinyl with a one-inch heatseamed channel as original. For 1956, panels are covered in white vinyl only and feature the simulated stitch at one-inch center as original. And let us not forget the '57, whose panels are embossed with the Thunderbird logo and are available in all of the original colors as listed.

DOOR PANELS

- Door Panels, White**
 1955
 UDP5501 222.00 Pair
- Door Panels, Yellow**
 1955
 UDP5502 222.00 Pair
- Door Panels, White**
 1956
 UDP5601 222.00 Pair
- Door Panels, Blue**
 1957
 UDP5701 276.00 Pair
- Door Panels, Bronze**
 1957
 UDP5702 276.00 Pair
- Door Panels, Green**
 1957
 UDP5703 276.00 Pair
- Door Panels, Red**
 1957
 UDP5704 276.00 Pair
- Door Panels, White**
 1957
 UDP5705 276.00 Pair



UAR5602

ARMRESTS

ORIGINAL ARMREST COVERS

Armrest Covers, Black

1955 1956
UAR5501 54.00 Pair

Armrest Covers, Green

1955
UAR5502 54.00 Pair

Armrest Covers, Red

1955
UAR5503 54.00 Pair

Armrest Covers, Buckskin

1956
UAR5601 54.00 Pair

Armrest Covers, Green

1956
UAR5602 54.00 Pair

Armrest Covers, Peacock

1956
UAR5603 54.00 Pair

Armrest Covers, Red

1956
UAR5604 54.00 Pair

Armrest Covers, Black

1957
UAR5701 54.00 Pair

Armrest Covers, Blue

1957
UAR5702 54.00 Pair

Armrest Covers, Bronze

1957
UAR5703 54.00 Pair

Armrest Covers, Green

1957
UAR5704 54.00 Pair

Armrest Covers, Red

1957
UAR5705 54.00 Pair

Armrest Covers, White

1957
UAR5706 54.00 Pair

LEATHER ARMREST COVERS

Armrest Covers, Black Leather

1955 1956
UARL5501 177.60 Pair

Armrest Covers, Green Leather

1955
UARL5502 177.60 Pair

Armrest Covers, Red Leather

1955
UARL5503 177.60 Pair

Armrest Covers, White Leather

1955 1956
UARL5504 177.60 Pair

Armrest Covers, Buckskin Leather

1956
UARL5601 177.60 Pair

Armrest Covers, Green Leather

1956
UARL5602 177.60 Pair

Armrest Covers, Peacock Leather

1956
UARL5603 177.60 Pair

Armrest Covers, Red Leather

1956
UARL5604 177.60 Pair

Armrest Covers, Black Leather

1957
UARL5701 177.60 Pair

Armrest Covers, Blue Leather

1957
UARL5702 177.60 Pair

Armrest Covers, Bronze Leather

1957
UARL5703 177.60 Pair

Armrest Covers, Green Leather

1957
UARL5704 177.60 Pair

Armrest Covers, Red Leather

1957
UARL5705 177.60 Pair

Armrest Covers, White Leather

1957
UARL5706 177.60 Pair

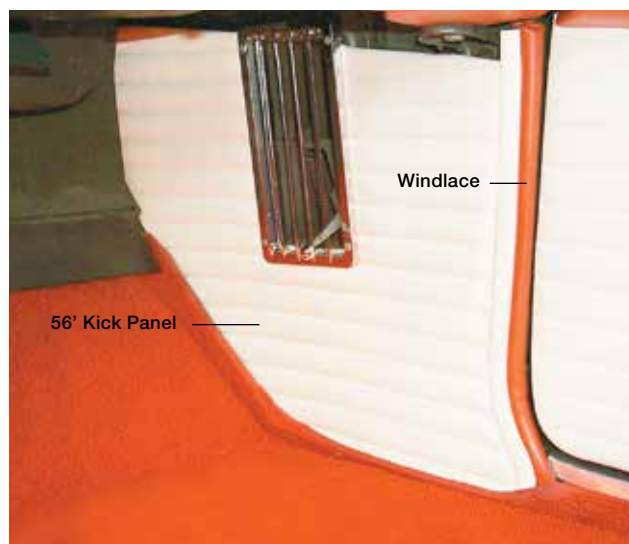
ARMREST INSTALLATION MATERIALS

Arm Rest Foam Kit

1955 1956 1957
B24142F 9.00 Pair

Arm Rest Cover Boards

1955 1956 1957
B24143A 7.75 Pair



Original Style, Concours-Quality



KICK PANELS

Kick Panels, White

1955
UKP5501 110.94 Pair

Kick Panels, Yellow

1955
UKP5502 110.94 Pair

Kick Panels, White

1956
UKP5601 110.94 Pair

Kick Panels, Blue

1957
UKP5701 132.00 Pair

Kick Panels, Bronze

1957
UKP5702 132.00 Pair

Kick Panels, Green

1957
UKP5703 132.00 Pair

Kick Panels, Red

1957
UKP5704 132.00 Pair

Kick Panels, White

1957
UKP5705 132.00 Pair

KICK PANEL RETAINERS, PAIR

Kick Panel Retainers, Pair

1955 1956 1957
B02354A 140.28 Pair

Our Quarter Panel Cardboard, now handcrafted from CORRECTLY COLORED CARDBOARD instead of vinyl-covered board, fits between the door post and the rear wheelhouse area. A great way to clean up the area behind your seat. Colors Available:

QUARTER PANEL BOARDS

Quarter Panel Boards, Black 1956

UQP5501..... 55.58 Pair

Quarter Panel Boards, White 1955

UQP5502..... 55.58 Pair

Quarter Panel Boards, Yellow 1955

UQP5503..... 55.58 Pair

Quarter Panel Boards, Buckskin 1956

UQP5601..... 55.58 Pair

Quarter Panel Boards, Green 1956

UQP5602..... 55.58 Pair

Quarter Panel Boards, Peacock 1956

UQP5603..... 55.58 Pair

Quarter Panel Boards, Red 1956

UQP5604..... 55.58 Pair

Quarter Panel Boards, Black 1957

UQP5701..... 55.58 Pair

Quarter Panel Boards, Blue 1957

UQP5702..... 55.58 Pair

Quarter Panel Boards, Bronze 1957

UQP5703..... 55.58 Pair

Quarter Panel Boards, Green 1957

UQP5704..... 55.58 Pair

Quarter Panel Boards, Red 1957

UQP5705..... 55.58 Pair

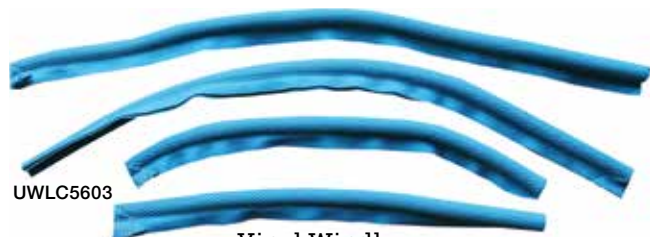
Quarter Panel Boards, White 1957

UQP5706..... 55.58 Pair

QUARTER PANEL BOARD TACK STRIP SET

Quarter Panel Board Tack Strip Set 1955 1956 1957

B31262AK3.10 Each



Vinyl Windlace



Cloth Windlace

UWLC5503

CLOTH WINDLACE

Windlace, Black Cloth

1955 1956 1957

UWLC5501 63.00 Set

Windlace, Green Cloth

1955

UWLC5502..... 63.00 Set

Windlace, Red Cloth

1955

UWLC5503..... 63.00 Set

Windlace, Buckskin Cloth

1956

UWLC5601..... 63.00 Set

Windlace, Green Cloth

1956

UWLC5602..... 63.00 Set

Windlace, Peacock Cloth

1956

UWLC5603..... 63.00 Set

Windlace, Red Cloth

1956

UWLC5604..... 63.00 Set

Original-Style Windlace Sets Include: (4) Pieces to go in front of and in back of door. Ready to install.

WINDLACE SETS

VINYL WINDLACE

Windlace, Black Vinyl

1955 1956

UWL5501 50.40 Set

Windlace, Green Vinyl

1955

UWL5502 50.40 Set

Windlace, Red Vinyl

1955

UWL5503 50.40 Set

Windlace, White Vinyl

1955 1956

UWL5504 50.40 Set

Windlace, Buckskin Vinyl

1956

UWL5601 50.40 Set

Windlace, Green Vinyl

1956

UWL5602 50.40 Set

Windlace, Peacock Vinyl

1956

UWL5603 50.40 Set

Windlace, Red Vinyl

1956

UWL5604 50.40 Set

Windlace, Black Vinyl

1957

UWL5701..... 50.40 Set

Windlace, Blue Vinyl

1957

UWL5702 50.40 Set

Windlace, Bronze Vinyl

1957

UWL5703 50.40 Set

Windlace, Green Vinyl

1957

UWL5704 50.40 Set

Windlace, Red Vinyl

1957

UWL5705 50.40 Set

Windlace, White Vinyl

1957

UWL5706 50.40 Set



1955 Colors

Red Black Green

You can create a new-looking Thunderbird interior by simply replacing your carpet. Our carpet features nylon loop pile with cloth bindings, die-cut to fit properly, and also includes the rubber heel and foot-side rubber pads. We produce our Carpet Kits in correct original factory colors. We recommend a new die-cut jute pad to place under your carpet set for sound deadening, weather insulation, and better carpet fit.

CARPETS

ORIGINAL CARPET

Carpet, Black 1955 UCP5501 180.00 Each	Carpet, Black 1956 1957 UCP5601 180.00 Each
Carpet, Green 1955 UCP5502 180.00 Each	Carpet, Buckskin 1956 UCP5602 180.00 Each
Carpet, Red 1955 UCP5503 180.00 Each	Carpet, Green 1956 UCP5603 180.00 Each

Continued on the next page

1956 Colors
Peacock Green Buckskin Red

1957 Colors
Red Blue Green Bronze

Carpet, Peacock 1956 UCP5604..... 180.00 Each	Carpet, 1957 Style In 1955 Red 1957 UCP5705..... 180.00 Each
Carpet, Red 1956 UCP5605..... 180.00 Each	CUT PILE CARPET
Carpet, Blue 1957 UCP5701..... 180.00 Each	Carpet, Black, Cut Pile 1955 UCP5504..... 149.95 Each
Carpet, Bronze 1957 UCP5702..... 180.00 Each	Carpet, Black, Cut Pile 1956 1957 UCP5606..... 149.95 Each
Carpet, Green 1957 UCP5703..... 180.00 Each	JUTE PAD
Carpet, Red 1957 UCP5704..... 180.00 Each	Jute Pad 1955 1956 1957 UCP55JP..... 42.00 Each

MID CARPETS

Mid Carpet, Black 1955 1956 1957 UMC5501.....90.00 Each	Mid Carpet, Red 1956 UMC5604.....90.00 Each
Mid Carpet, Green 1955 UMC5502.....90.00 Each	Mid Carpet, Blue 1957 UMC5701.....90.00 Each
Mid Carpet, Red 1955 UMC5503.....90.00 Each	Mid Carpet, Bronze 1957 UMC5702.....90.00 Each
Mid Carpet, Buckskin 1956 UMC5601.....90.00 Each	Mid Carpet, Green 1957 UMC5703.....90.00 Each
Mid Carpet, Green 1956 UMC5602.....90.00 Each	Mid Carpet, Red 1957 UMC5704.....90.00 Each
Mid Carpet, Peacock 1956 UMC5603.....90.00 Each	

Mid Carpet, Red 1956 UMC5604.....90.00 Each	Mid Carpet, Blue 1957 UMC5701.....90.00 Each
Mid Carpet, Bronze 1957 UMC5702.....90.00 Each	Mid Carpet, Green 1957 UMC5703.....90.00 Each
Mid Carpet, Red 1957 UMC5704.....90.00 Each	

FLOOR MATS RUBBER FLOOR MATS

Rubber Floor Mats, Green with White Bird 1957 B13106AF..... 66.72 Pair	Rubber Floor Mats, Red with White Bird 1955 1956 1957 B13106F.....100.12 Set
Rubber Floor Mats, Black with White Bird 1955 1956 1957 B13106M.....116.82 Set	



CARPET FLOOR MATS

Carpet Floor Mats, Black 1955 1956 1957 UCM5501..... 132.00 Pair	Carpet Floor Mats, Green 1955 UCM5502..... 132.00 Pair
Carpet Floor Mats, Red 1955 UCM5503..... 132.00 Pair	Carpet Floor Mats, Buckskin 1956 UCM5601..... 132.00 Pair
Carpet Floor Mats, Green 1956 UCM5602..... 132.00 Pair	

Carpet Floor Mats, Peacock 1956 UCM5603..... 132.00 Pair	Carpet Floor Mats, Red 1956 UCM5604..... 132.00 Pair
Carpet Floor Mats, Blue 1957 UCM5701..... 132.00 Pair	Carpet Floor Mats, Bronze 1957 UCM5702..... 132.00 Pair
Carpet Floor Mats, Green 1957 UCM5703..... 132.00 Pair	Carpet Floor Mats, Red 1957 UCM5704..... 132.00 Pair

Our Vinyl Floor Cover is a color-matched piece of vinyl that covers the floor area between the Seatback and the Drop Curtain. *Most 1956 T-Birds have a small floor cover - 1956 T-Birds that were equipped with a factory tonneau cover came with a large floor cover.



FLOOR COVERS

FLOOR COVERS FOR CARS WITHOUT FACTORY TONNEAU COVER

Vinyl Floor Cover, Black 1955 1956 UFC5501..... 12.60 Each	Vinyl Floor Cover, Green 1955 UFC5502..... 12.60 Each
Vinyl Floor Cover, Red 1955 UFC5503..... 12.60 Each	Vinyl Floor Cover, Buckskin 1956 UFC5601..... 12.60 Each

Vinyl Floor Cover, Green 1956 UFC5602..... 12.60 Each	Vinyl Floor Cover, Peacock 1956 UFC5603..... 12.60 Each
Vinyl Floor Cover, Red 1956 UFC5604..... 12.60 Each	Vinyl Floor Cover, Black 1957 UFC5701..... 19.25 Each
Vinyl Floor Cover, Blue 1957 UFC5702..... 19.25 Each	

Continued on the next page

Vinyl Floor Cover, Bronze
1957
UFC5703 19.25 Each

Vinyl Floor Cover, Green
1957
UFC5704 19.25 Each

Vinyl Floor Cover, Red
1957
UFC5705 19.25 Each

Vinyl Floor Cover, White
1957
UFC5706 19.25 Each

FLOOR COVERS FOR CARS WITH FACTORY TONNEAU COVER

Vinyl Floor Cover, Black with Tonneau Cover
1956
UFCT5601 29.40 Each

Vinyl Floor Cover, Buckskin with Tonneau Cover
1956
UFCT5602 29.40 Each

Vinyl Floor Cover, Green with Tonneau Cover
1956
UFCT5603 29.40 Each

Vinyl Floor Cover, Peacock with Tonneau Cover
1956
UFCT5604 29.40 Each

Vinyl Floor Cover, Red with Tonneau Cover
1956
UFCT5605 29.40 Each



Larry's Floor Pan Heat Shield Kit will insulate your entire floor pan area from heat and reduces road noise in the cabin area

FLOOR PAN HEAT SHIELD KIT

Floor Pan Heat Shield Kit
1955 1956 1957
DAC08 87.11 Each

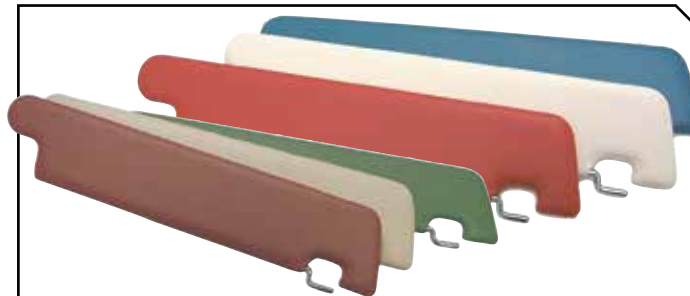


When replacing your carpet and other upholstery items, you will want to install new step plates to finish off the job with complete attention to detail. Manufactured to exacting standards for an original appearance. Easy to install, yet is a major item for proper restoration.

STEP PLATES

Step Plate, Right
1955 1956 1957
B13208AT 43.06 Each

Step Plate, Left
1955 1956 1957
B13209B 43.06 Each



Replace worn out and faded original sun visors with our finest quality Original-Style Sun Visors constructed in original colors, to correct size and made from vinyl that is color-matched to go with our Upholstery Kits and interior items. Please specify year and color when ordering.

VISORS

Visors, White
1956
B04104A 192.00 Pair

Visors, Green
1957
B04104I 192.00 Pair

Visors, White
1957
B04104L 192.00 Pair

Visors, Blue
1957
B04104M 192.00 Pair

Visors, Bronze
1957
B04104N 192.00 Pair

Visors, Black
1957
B04104O 192.00 Pair

Visors, Red
1957
B04104P 192.00 Pair

VISOR MOUNTING PARTS

Visor Anchor Rod
1956 1957
B04114D 12.19 Each

Visor Anchor Rod Clip
1956 1957
B04132A 25.05 Each

Visor Rod and Bracket
1957
Right Side
B04144G 47.25 Each

Visor Rod and Bracket
1956
Right Side
B04144H 45.04 Each

Visor Rod and Bracket
1956
Left Side
B04145B 44.74 Each

Visor Rod and Bracket
1957
Left Side
B04145G 47.25 Each

Constructed of Perforated Vinyl, with "Wire-On" Border Strip. Please be sure to specify whether you have (4) or (5) metal bows in your top.



1955-'56 White

1957 Off-White

HEADLINERS

Headliner, 4 Bow, Black
1955 1956 1957
UHL5501 151.19 Each

Headliner, 4 Bow, Off White
1955 1956 1957
UHL5502 122.40 Each

Headliner, 4 Bow, Pure White
1955 1956 1957
UHL5503 122.40 Each

Headliner, 4 Bow, White
1955 1956 1957
UHL5504 122.40 Each

Headliner, 5 Bow, Black
1955 1956 1957
UHL5505 151.19 Each

Headliner, 5 Bow, Off White
1955 1956 1957
UHL5506 122.40 Each

Headliner, 5 Bow, Pure White
1955 1956 1957
UHL5507 122.40 Each

Headliner, 5 Bow, White
1955 1956 1957
UHL5508 122.40 Each
**Note: Pure White is a Non Stock Color*

HEADLINER INSTALLATION PARTS

Headliner Binding End Cover
1955 1956 1957
B51928A 0.53 Each

Headliner Binding Angled Joint Cover
1955 1956 1957
B51930A 7.93 Each

Headliner Bow Kit, 5 Bow
1955 1956 1957
B52105A 59.70 Set



Enthusiasts who want a top-quality dash cover need to install one of these Original-Style Dash Covers in their vehicle. All dash covers are sewn as original.

DASH COVERS

ORIGINAL DASH COVERS

Dash Cover, Black 1955 1956 UDC5501.....	66.00 Each
Dash Cover, Green 1955 UDC5502.....	66.00 Each
Dash Cover, Red 1955 UDC5503.....	66.00 Each
Dash Cover, Buckskin 1956 UDC5601.....	66.00 Each
Dash Cover, Green 1956 UDC5602.....	66.00 Each

Dash Cover, Peacock 1956 UDC5603.....	66.00 Each
--	------------

Dash Cover, Red 1956 UDC5604.....	66.00 Each
--	------------

LEATHER DASH COVERS

Dash Cover, Black Leather 1955 1956 UDCL5501.....	235.62 Each
--	-------------

Dash Cover, Green Leather 1955 UDCL5502.....	235.62 Each
---	-------------

Dash Cover, Red Leather 1955 1956 UDCL5503.....	235.62 Each
--	-------------

DASH MATS

Dash Mat, Black 1957 UDM5701.....	58.20 Each
--	------------

Dash Mat, Blue 1957 UDM5702.....	58.20 Each
---	------------

Drop Curtains cover the rear portion of your Thunderbird interior behind your seatback (Snap studs included).

DROP CURTAINS

Drop Curtain, Black 1955 UDR5501.....	83.94 Each
--	------------

Drop Curtain, Green 1955 UDR5502.....	83.94 Each
--	------------

Drop Curtain, Red 1955 UDR5503.....	83.94 Each
--	------------

Drop Curtain, Buckskin 1956 UDR5601.....	83.94 Each
---	------------

Drop Curtain, Green 1956 UDR5602.....	83.94 Each
--	------------

Drop Curtain, Peacock 1956 UDR5603.....	83.94 Each
--	------------

Drop Curtain, Red 1956 UDR5604.....	83.94 Each
--	------------

Drop Curtain, Black 1957 UDR5701.....	83.94 Each
--	------------

Drop Curtain, Blue 1957 UDR5702.....	83.94 Each
---	------------

Drop Curtain, Bronze 1957 UDR5703.....	83.94 Each
---	------------

Drop Curtain, Green 1957 UDR5704.....	83.94 Each
--	------------

Drop Curtain, Red 1957 UDR5705.....	83.94 Each
--	------------

Drop Curtain, White 1957 UDR5706.....	83.94 Each
--	------------

Our Original-Style Tonneau Cover protects your Thunderbird from rain, dust, pollutants and the sun's harmful UV rays. Only the finest in correct grain vinyls and colors, with heavy-duty zipper to give years of lasting use. Snaps are included, but not installed.

TONNEAU COVERS

NON-REMOVEABLE TONNEAU COVERS

Tonneau Cover, Black 1955 1956 UTC5501.....	270.00 Each
--	-------------

Tonneau Cover, Green 1955 UTC5502.....	270.00 Each
---	-------------

Tonneau Cover, Red 1955 UTC5503.....	270.00 Each
---	-------------

Tonneau Cover, White 1955 1956 UTC5504.....	270.00 Each
--	-------------

Tonneau Cover, Buckskin 1956 UTC5601.....	270.00 Each
--	-------------

Tonneau Cover, Green 1956 UTC5602.....	270.00 Each
---	-------------

Tonneau Cover, Peacock 1956 UTC5603.....	270.00 Each
---	-------------

Tonneau Cover, Red 1956 UTC5604.....	270.00 Each
---	-------------

Tonneau Cover, Black 1957 UTC5701.....	270.00 Each
---	-------------

Tonneau Cover, Blue 1957 UTC5702.....	270.00 Each
--	-------------

Tonneau Cover, Bronze 1957 UTC5703.....	270.00 Each
--	-------------

Tonneau Cover, Green 1957 UTC5704.....	270.00 Each
---	-------------

Tonneau Cover, Red 1957 UTC5705.....	270.00 Each
---	-------------

Tonneau Cover, White 1957 UTC5706.....	270.00 Each
---	-------------

REMOVEABLE TONNEAU COVERS

Tonneau Cover, Black, Removable 1955 1956 UTC5501.....	286.80 Each
---	-------------

Tonneau Cover, Green, Removable 1955 UTC5502.....	286.80 Each
--	-------------

Tonneau Cover, Red, Removable 1955 UTC5503.....	286.80 Each
--	-------------

Tonneau Cover, White, Removable 1955 1956 UTC5504.....	286.80 Each
---	-------------

Tonneau Cover, Buckskin, Removable 1956 UTC5601.....	286.80 Each
---	-------------

Tonneau Cover, Green, Removable 1956 UTC5602.....	286.80 Each
--	-------------

Tonneau Cover, Peacock, Removable 1956 UTC5603.....	286.80 Each
--	-------------

Tonneau Cover, Red, Removable 1956 UTC5604.....	286.80 Each
--	-------------

Tonneau Cover, Black, Removable 1957 UTC5701.....	286.80 Each
--	-------------

Tonneau Cover, Blue, Removable 1957 UTC5702.....	286.80 Each
---	-------------

Tonneau Cover, Bronze, Removable 1957 UTC5703.....	286.80 Each
---	-------------

Tonneau Cover, Green, Removable 1957 UTC5704.....	286.80 Each
--	-------------

Tonneau Cover, Red, Removable 1957 UTC5705.....	286.80 Each
--	-------------

Tonneau Cover, White, Removable 1957 UTC5706.....	286.80 Each
--	-------------

These color-matched strips of vinyl, now also available in leather, are used to cover the door garnish rail area and the garnish rail at the deck area behind the seat.

GARNISH RAIL COVERS

ORIGINAL GARNISH RAIL COVERS

Garnish Rail Cover, Black
1955 1956
UGC5501 24.24 Set

Garnish Rail Cover, Green
1955
UGC5502 24.24 Set

Garnish Rail Cover, Red
1955
UGC5503 24.24 Set

Garnish Rail Cover, Buckskin
1956
UGC5601 24.24 Set

Garnish Rail Cover, Green
1956
UGC5602 24.24 Set

Garnish Rail Cover, Peacock
1956
UGC5603 24.24 Set

Garnish Rail Cover, Red
1956
UGC5604 24.24 Set

Garnish Rail Cover, Black
1957
UGC5701 24.24 Set

Garnish Rail Cover, Blue
1957
UGC5702 24.24 Set

Garnish Rail Cover, Bronze
1957
UGC5703 24.24 Set

Garnish Rail Cover, Green
1957
UGC5704 24.24 Set

Garnish Rail Cover, Red
1957
UGC5705 24.24 Set

Garnish Rail Cover, White
1957
UGC5706 24.24 Set

LEATHER GARNISH RAIL COVERS

Garnish Rail Cover, Black Leather
1955 1956
UGCL5501 130.80 Set

Garnish Rail Cover, Green Leather
1955
UGCL5502 130.80 Set

Garnish Rail Cover, Red Leather
1955
UGCL5503 130.80 Set

Garnish Rail Cover, White Leather
1955 1956
UGCL5504 130.80 Set

Garnish Rail Cover, Buckskin Leather
1956
UGCL5601 130.80 Set

Garnish Rail Cover, Green Leather
1956
UGCL5602 130.80 Set

Garnish Rail Cover, Peacock Leather
1956
UGCL5603 130.80 Set

Garnish Rail Cover, Red Leather
1956
UGCL5604 130.80 Set

Garnish Rail Cover, Black Leather
1957
UGCL5701 130.80 Set

Garnish Rail Cover, Blue Leather
1957
UGCL5702 130.80 Set

Garnish Rail Cover, Bronze Leather
1957
UGCL5703 130.80 Set

Garnish Rail Cover, Green Leather
1957
UGCL5704 130.80 Set

Garnish Rail Cover, Red Leather
1957
UGCL5705 130.80 Set

Garnish Rail Cover, White Leather
1957
UGCL5706 130.80 Set



DASHBOARD PLUG & CHUG

Dashboard Plug & Chug, Black
1955 1956
DAC1955BK 75.32 Each

Dashboard Plug & Chug, Dark Green
1955
DAC1955DKGN 75.32 Each

Dashboard Plug & Chug, Light Green
1955
DAC1955LTGN 75.32 Each

Dashboard Plug & Chug, Red
1955
DAC1955RD 75.32 Each

Dashboard Plug & Chug, White
1955 1956
DAC1955WT 75.32 Each

Dashboard Plug & Chug, Yellow
1955
DAC1955YL 75.32 Each

Dashboard Plug & Chug, Buckskin
1956
DAC1956BS 75.32 Each

Dashboard Plug & Chug, Green
1956
DAC1956GN 75.32 Each

Dashboard Plug & Chug, Peacock
1956
DAC1956PK 75.32 Each

Dashboard Plug & Chug, Red
1956
DAC1956RD 88.00 Each

Dashboard Plug & Chug, Black
1957
DAC1957BK 75.32 Each

Dashboard Plug & Chug, Bronze
1957
DAC1957BZ 75.32 Each

Dashboard Plug & Chug, Dark Blue
1957
DAC1957DKBU 75.32 Each

Dashboard Plug & Chug, Dark Green
1957
DAC1957DKGN 75.32 Each

Dashboard Plug & Chug, Light Blue
1957
DAC1957LTBU 75.32 Each

Dashboard Plug & Chug, Light Green
1957
DAC1957LTGN 75.32 Each

Dashboard Plug & Chug, Red
1957
DAC1957RD 88.00 Each

Dashboard Plug & Chug, White
1957
DAC1957WT 75.32 Each

Receive Gift Certificates for Your Future Purchases!
Learn how to qualify for \$30 and \$50 gift certificates. Visit our website at www.larrybird.com for more information.

WING RIDER

Wing Rider Console, Black
1955 1956
DAC2055BK 295.00 Each

Wing Rider Console, Light Green
1955
DAC2055GN 295.00 Each

Wing Rider Console, Red
1955
DAC2055RD 295.00 Each

Wing Rider Console, Buckskin
1956
DAC2056BS 295.00 Each

Wing Rider Console, Green
1956
DAC2056GN 295.00 Each

Wing Rider Console, Peacock
1956
DAC2056PK 295.00 Each

Wing Rider Console, Red
1956
DAC2056RD 295.00 Each

Wing Rider Console, Black
1957
DAC2057BK 295.00 Each

Wing Rider Console, Dark Blue
1957
DAC2057BU 295.00 Each

Wing Rider Console, Bronze
1957
DAC2057BZ 295.00 Each

Wing Rider Console, Dark Green
1957
DAC2057GN 295.00 Each

Wing Rider Console, Red
1957
DAC2057RD 295.00 Each

Wing Rider Console, White
1957
DAC2057WT 295.00 Each

- Full-Length Design
- Two King-Size Drink Holders
- Large Storage Compartment
- Installs in Seconds..
- Removes in Seconds



These bags are the same high quality vinyl that our award winning interiors are made of and all the same colors. They are crafted with the same focus on quality and detail as all of our interior vinyl products are.

TOTE BAGS

Tote Bag, Black / White
1955 1956
DAC1055BK 67.50 Each

Tote Bag, Green / White
1955
DAC1055GN 67.50 Each

Tote Bag, Red / White
1955
DAC1055RD 67.50 Each

Tote Bag, Yellow / Black
1955
DAC1055YL 67.50 Each

Tote Bag, Buckskin / White
1956
DAC1056BS 67.50 Each

Tote Bag, Green / White
1956
DAC1056GN1 67.50 Each

Tote Bag, Peacock / White
1956
DAC1056PK 67.50 Each

Tote Bag, Red / White
1956
DAC1056RD 67.50 Each

Tote Bag, Black / White
1957
DAC1057BK 67.50 Each

Tote Bag, Dark Blue / Light Blue
1957
DAC1057BU 67.50 Each

Tote Bag, Bronze
1957
DAC1057BZ 67.50 Each

Tote Bag, Dark Green / Light Green
1957
DAC1057GN 67.50 Each

Tote Bag, Red
1957
DAC1057RD 67.50 Each

Tote Bag, White
1957
DAC1057WT 67.50 Each

HARDWARE FOR THIS SECTION

Clip
1955 1956 1957
Door Panel
CSB358575 0.25 Each

Countersunk Trim Washer, #6
1955 1956 1957
CSB470101A 0.08 Each

Countersunk Trim Washer, #8
1955 1956 1957
CSB470101B 0.08 Each

Countersunk Trim Washer, #10
1955 1956 1957
CSB470101C 0.12 Each

Trim Washer, #6
1955 1956 1957
CSB470102A 0.07 Each

Trim Washer, #8
1955 1956 1957
CSB470102B 0.07 Each

Trim Washer, #10
1955 1956 1957
CSB470102C 0.12 Each

Visor Arm and Clip to Header
1956 1957
DHK4032 2.11 Each

Dash Pad Retainer Straps to Dash
1957
DHK4033 1.79 Each

Door Panel Attaching Kit
1955 1956
DHK5005 8.00 Each

Door Panel Screws
1955 1956
DHK5006 2.31 Each

Step Plates to Body
1955 1956 1957
DHK5008 3.19 Each

Door Panel Channels to Door
1955 1956 1957
DHK5013 0.98 Each

Arm Rests to Door Panels
1955 1956 1957
DHK5025 3.32 Each

Door Panel Attaching Kit
1957
DHK5030 7.64 Each

Door Panel Screws
1957
DHK5031 2.31 Each

Drop Curtain to Floor
1955 1956
DHK6019 3.90 Each

Seat Back Panel to Seat
1955 1956 1957
DHK6025 6.24 Each

Quarter Trim Panels to Body
1955 1956 1957
DHK6026 2.57 Each

Drop Curtain to Floor
1957
DHK6028 1.24 Each

Rear Wheel Bearing Gasket
1955 1956 1957A
A1001A 0.81 Each

Wheel Lug Nut
1955 1956 1957A
A1012B 0.52 Each

Receive Gift Certificates for Your Future Purchases!

Learn how to qualify for \$30 and \$50 gift certificates. Visit our website at www.larrytbird.com for more information.



A1015NKBK



A1015NKBU



A1015NKGN



A1015NKRD

WIRE WHEELS

Wire Wheel, 14", Chrome, with Black Spinner
1957
A1015HBK 833.33 Each

Wire Wheel, 14", Chrome, with Blue Spinner
1957
A1015HBU 833.33 Each

Wire Wheel, 14", Chrome, with Green Spinner
1957
A1015HGN 833.33 Each

Wire Wheel, 14", Chrome, with Red Spinner
1957
A1015HRD 833.33 Each

Wire Wheel With Black Spinner, 15", Chrome
1955 1956
A1015NBK 833.33 Each

Wire Wheel With Blue Spinner, 15", Chrome
1955 1956
A1015NBU 833.33 Each

Wire Wheel With Green Spinner, 15", Chrome
1955 1956
A1015NGN 833.33 Each

Wire Wheel With Red Spinner, 15", Chrome
1955 1956
A1015NRD 833.33 Each



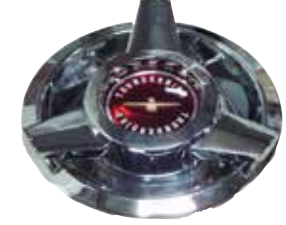
A1016CBK



A1016CBU



A1016CGN



A1016CRD

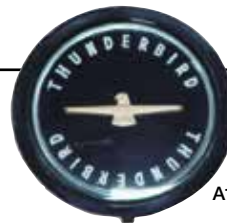
WIRE WHEEL SPINNER ASSEMBLIES

Wire Wheel Spinner Assembly, Black Center
1955 1956 1957
A1016CBK 112.99 Each

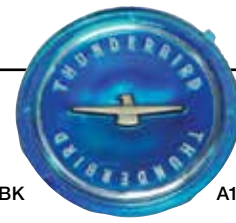
Wire Wheel Spinner Assembly, Blue Center
1955 1956 1957
A1016CBU 112.99 Each

Wire Wheel Spinner Assembly, Green Center
1955 1956 1957
A1016CGN 112.99 Each

Wire Wheel Spinner Assembly, Red Center
1955 1956 1957
A1016CRD 112.99 Each



A1018ABK



A1018ABU



A1018AGN



A1018ARD

SPINNER CENTERS

Spinner Center Only, Black
A1018ABK 33.32 Each

Spinner Center Only, Blue
A1018ABU 29.98 Each

Spinner Center Only, Green
A1018AGN 29.98 Each

Spinner Center Only, Red
A1018ARD 33.32 Each

Front Wheel Hub, 5 Lug
1955 1956 1957
A1104B 133.18 Each

Hub Bolt, 1/2"-20 X 1-5/8", .618/.628 Shoulder Diameter
1955 1956 1957
A1107B 2.79 Each

WHEEL COVERS

Wheel Cover, 15", Less Center
1955 1956

A1130A 89.95 Each

Wheel Cover, Accessory Type, 14"
1957

A1130B 175.30 Each

Wire Wheel Cover, 15", Less Center
1955 1956

A1130C 145.00 Each

Wire Wheel Cover Kit, 15" Less Center Cap
1955 1956

1 Wheel, Includes Bumpers and Clips

A1130CK 163.00 Each



A1130A



A1130B



A1130CK

Hub Cap Only, for Wire Wheel Cover, Red
1955
A1130DR 62.00 Each

Hub Cap Only, for Wire Wheel Cover, White
1956

A1130DW 62.00 Each



A1130DR

A1130DW



Wheel Grease Cap, 1-25/32" OD
1955 1956 1957

Front
A1131A 5.51 Each

Wheel Cover Center
1955 1956

Standard Wheel Cover
A1141A 28.96 Each

Wire Wheel Cover Spring Clip
1955 1956

A1150A 3.35 Each

Wire Wheel Cover Spring Clip Bumper
1955 1956

A1151A 0.45 Each

Grease Seal, 1-1/2 Inch ID, 2-1/2" OD
1955 1956 1957

Rear Axle, Inner
A1177G 5.17 Each

Wheel Grease Retainer, 2-1/2" ID
1955 1956 1957

Front, Before 5/21/62
A1190B 2.44 Each

Brake Backing Plate Gasket
1955 1956 1957

Front
A1193A 0.65 Each

Spindle Nut Washer 1-21/32 X 3/32"
1955 1956 1957

Front
A1195C 10.96 Each



AXLE AND PINION SEAL KITS

Axle and Pinion Seal Kit
1955 1956

A1200AK 23.00 Kit

Axle and Pinion Seal Kit
1957

A1200BK 55.00 Kit

Wheel Bearing, 1-1/4" ID, 2-1/64" OD, #67048
1955 1956 1957

Front, Inner
A1201A 12.09 Each

Wheel Bearing Cup, #67010
1955 1956 1957

Front, Inner
A1202F 6.91 Each

Front Hub Seal and Bearing Kit
1955 1956 1957

A1203AK 64.00 Kit

Wheel Bearing, #11949
1955 1956 1957

Outer Front, 1955 to Early 1963
A1216B 2.25 Each

Wheel Bearing Cup, #11910
1955 1956 1957

Front, Outer
A1217B 3.22 Each

Rear Axle Bearing, 1-17/32" ID, 3-5/32" OD (Large)
Includes Retainer, #88128

1955 1956 1957
A1225B 22.72 Each

TIRE VALVE STEMS

Shrader Tire Valve Stem Extension
1955 1956 1957

A1705A 14.21 Set

Tire Valve Stem
1957

A1705B 0.89 Each

Tire Valve Stem
1955 1956

A1705C 0.89 Each

Shrader Tire Valve Stem Cap Set, Set of 5, Qualifies for

CTCI Excellence In Authenticity Award
1955 1956 1957
A1706A 3.51 Set

GREASE FITTINGS

Grease Fitting, 1/4 Inch, Straight
1955 1956 1957

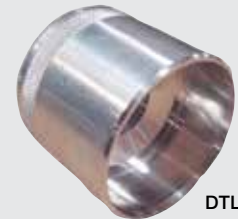
CSA87907 0.40 Each

Grease Fitting, 1/4 Inch, 90 Degree
1955 1956 1957

CSA87924 1.04 Each

Wire Wheel Cover Instructions
1955 1956

DLT075 2.95 Each



DTL11

Grease Cap Installation Tool
1955 1956 1957

DTL11 20.04 Each



HARDWARE FOR THIS SECTION

Castle Nut, 3/4-16
1955 1956 1957

Spindle
CSB354573 3.11 Each

Front Drum to Spindle
1955 1956 1957

DHK1008 8.81 Each



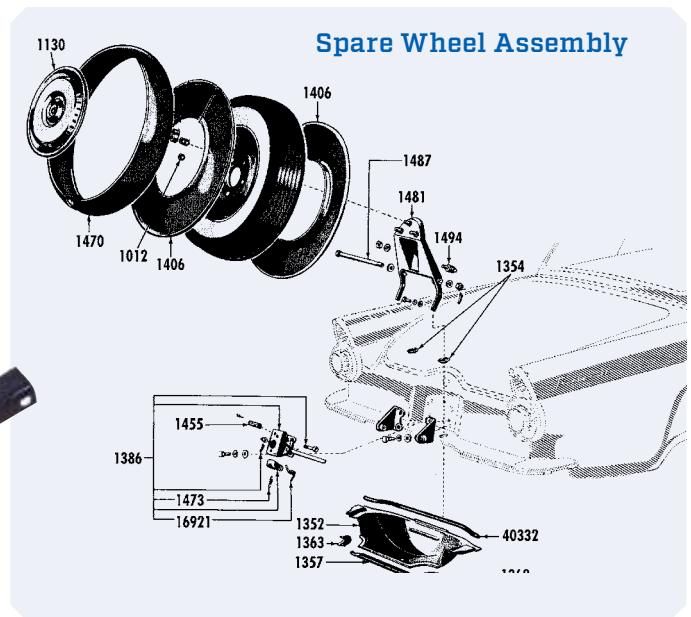
CONTINENTAL KIT

- Continental Kit Stone Guard**
1956
Fiberglass
A1352A 177.02 Each
- Continental Kit Stone Guard Seal Set**
1956
A1352BK 19.00 Each
- Continental Kit Hinge Grommet Set**
1956
A1354AK 12.00 Pair
- Continental Kit Hinge Bumper**
1956
A1455A 2.59 Each
- Continental Kit Tire Tread Cover, Steel**
1956
A1470A 158.65 Each

- Continental Kit Latch Spring**
1956
A1473A 10.86 Each
- Continental Kit Hinge Bolt**
1956
A1487A 21.38 Each
- Continental Kit Dowel Pin With Washer and Nut**
1956
A1494A 19.97 Each

SPARE WHEEL MOUNTING PARTS

- Spare Wheel Mounting Plate**
1957
A1424A 41.25 Each
- Spare Wheel Hold Down Plate**
1955
A1446A 6.99 Each



- Spare Wheel Mounting Bolt, 6-3/8"**
1957
A1448C 22.09 Each
- Spare Wheel Mounting Bolt, 5"**
1957
A1448D 22.85 Each
- Spare Wheel Hold Down Bolt, 7-7/8"**
1955
A1448F 9.90 Each
- Spare Wheel Wing Nut**
1955 1957
Original Type
A1457A 15.45 Each
- Spare Wheel Hold Down Wing Nut**
1955 1957
Replacement Type
A1462B 9.10 Each

- Shrader Tire Valve Stem Cap Set, Set Of 5, Qualifies For Ctcii Excellence In Authenticity Award**
1955 1956 1957
A1706A 3.51 Set

TIRE JACK PARTS

- Jack Handle Lug Wrench**
1955 1956 1957
B17032A 29.23 Each
- Jack Strap** B17083A
1955 1956 1957
B17083A 23.95 Each



- Spare Wheel Cover Tool**
1956
DTL18 13.09 Each

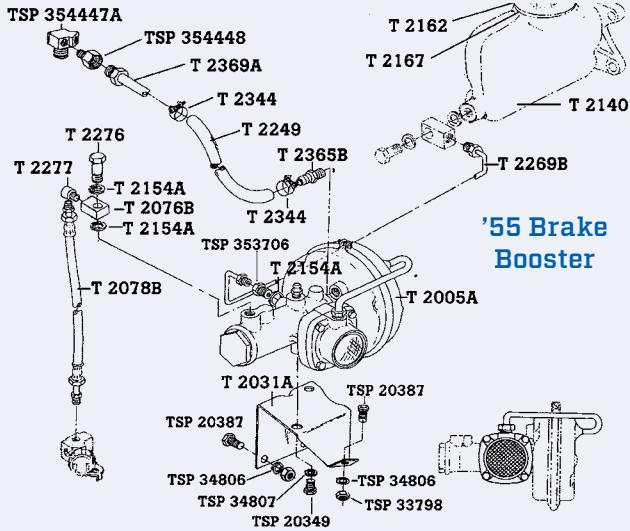
TIRE VALVE STEMS

- Shrader Tire Valve Stem Extension**
1955 1956 1957
A1705A 14.21 Set
- Tire Valve Stem**
1957
A1705B 0.89 Each
- Tire Valve Stem**
1955 1956
A1705C 0.89 Each

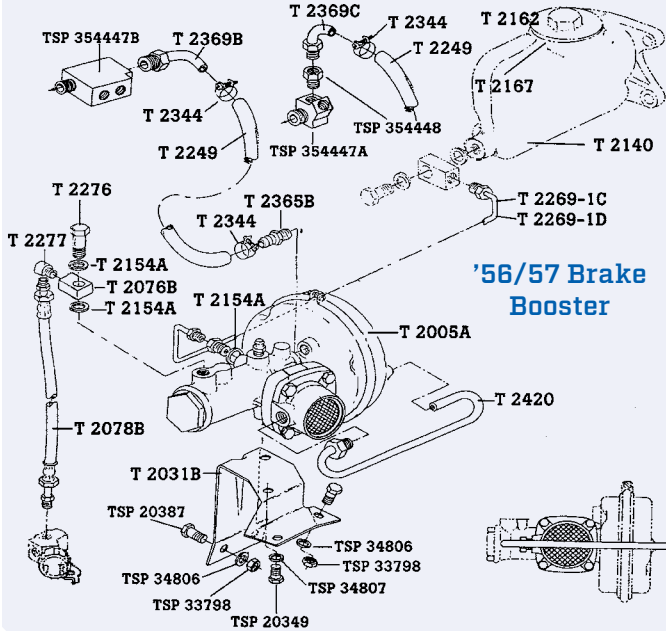
HARDWARE FOR THIS SECTION

- Spare Hold Down Hardware**
1957
DHK8007 1.79 Each
- Continental Kit Holder to Car**
1956
DHK9011 5.23 Each

Can't Find What You're Looking For?
If you are looking for a certain part and are not able to find it in this catalog, give us a call. It may be that we have it but the part was not listed in this catalog at the time of printing. We have a large used parts inventory and may have just the part you need for your Thunderbird.



'55 Brake Booster



'56/57 Brake Booster

Wheel Lug Nut
1955 1956 1957
A1012B 0.52 Each

**Hub Bolt, 1/2"-20 X 1-5/8",
.618/.628 Shoulder Diameter**
1955 1956 1957
A1107B 2.79 Each

BRAKE DRUMS

Brake Drum
1955 1956
Front
A1125G 199.00 Each

Brake Drum
1957
Front
A1125H 148.63 Each

Brake Drum
1957
Rear
A1126A 148.63 Each

Brake Drum
1955 1956
Rear
A1126G 199.00 Each

**Wheel Grease Cap,
1-25/32" OD**
1955 1956 1957
Front
A1131A 5.51 Each

**Wheel Grease Retainer,
2-1/2" ID**
1955 1956 1957
Front, Before 5/21/62
A1190B 2.44 Each

**Brake Backing
Plate Gasket**
1955 1956 1957
Front
A1193A 0.65 Each

**Spindle Nut Washer 1-21/32
X 3/32"**
1955 1956 1957
Front
A1195C 10.96 Each

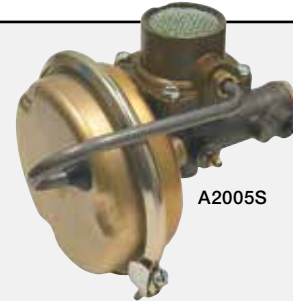
WHEEL BEARINGS AND CUPS

**Wheel Bearing, 1-1/4" ID,
2-1/64" OD, #67048**
1955 1956 1957
Front, Inner
A1201A 12.09 Each

Wheel Bearing Cup, #67010)
1955 1956 1957
Front, Inner
A1202F 6.91 Each

Wheel Bearing, #11949
1955 1956 1957
Outer Front, 1955 to Early 1963
A1216B 2.25 Each

Wheel Bearing Cup, #11910)
1955 1956 1957
Front, Outer
A1217B 3.22 Each



BRAKE BOOSTER AND PARTS

Brake Booster Rebuild
1955 1956 1957
A2005S 675.00 Each

Brake Booster Core Fee
1955 1956 1957
A2005SC 350.00 Each

**Brake Booster
Vacuum Line Clip**
1955 1956 1957
Booster to Vacuum Line
A2005W 2.34 Each

**Brake Booster
Installation Kit**
1957
A2006AK 1,340.00 Each

**Brake Booster
Installation Kit**
1956
A2006BK 1,310.00 Each

**Brake Booster
Installation Kit**
1955
A2006CK 1,301.14 Each

Brake Booster Bracket
1955
A2031A 55.15 Each

Brake Booster Bracket
1956 1957
A2031B 55.15 Each



Brake Booster Block, Brass
1955 1956 1957
Master Cylinder Outlet
A2076A 13.98 Each

Brake Booster Block, Brass
1955 1956 1957
A2076B 13.98 Each

Booster Block Elbow Fitting
1955 1956 1957
A2277A 3.99 Each

Continued on the next page

BRAKE BOOSTER AND PARTS *Continued*

- Brake Booster Repair Kit**
1955 1956 1957
A2307A..... 315.21 Each
- Hose Clamp, Power Brake Booster**
1955 1956 1957
A2342A..... 3.34 Each
- Brake Booster Check Valve, Replacement Type**
1955 1956 1957
A2365A..... 20.99 Each

- Brake Booster Filter**
1955 1956 1957
A2386A..... 2.49 Each
- Brake Booster Diaphragm**
1955 1956 1957
A2394A..... 108.55 Each
- Brake Booster Tube**
1956 1957
A2420A..... 19.99 Each
- Brake Booster Filter Screen**
1955 1956 1957
A2421A..... 6.83 Each
- Booster Vacuum Line Clip**
1955 1956 1957
A9283A..... 2.34 Each

BRAKE SHOES AND PARTS

- Brake Shoes**
1957
1957/1960 Front, 1959/1962 Rear
A2001B..... 81.05 Each
- Brake Shoes**
1955 1956
Front
A2018A..... 37.68 Each
- Brake Shoes**
1955 1956
Rear
A2018C..... 83.17 Each
- Brake Shoe Kit**
1955 1956
Front and Rear
A2018DK..... 120.00 Each
- Brake Shoe Kit**
1957
Front and Rear
A2018EK..... 96.00 Each

- Brake Overhaul Kit, Includes Shoes, Springs, Hold Down Hardware, Hoses, Wheel Cylinders**
1956
A2019AK..... 315.00 Each
- Brake Overhaul Kit, Includes Shoes, Springs, Hold Down Hardware, Hoses, Wheel Cylinders**
1957
A2019BK..... 290.00 Each
- Brake Overhaul Kit, Includes Shoes, Springs, Hold Down Hardware, Hoses, Wheel Cylinders**
1955
A2019CK..... 320.00 Each
- Brake Shoe Adjuster**
1955 1956 1957
A2041A..... 11.69 Each
- Brake Shoe Link**
1955 1956 1957
A2042A..... 2.00 Each
- Brake Shoe Adjusting Spring**
1955 1956 1957
A2049D..... 1.67 Each
- Brake Shoe Hold Down Kit**
1955 1956 1957
A2094A..... 4.59 Each
- Brake Spring Kit**
1955 1956 1957
A2095IK..... 29.00 Each
- Brake Shoes**
1957
Rear
A2200A..... 15.87 Each

A2019BK

A2095IK

BRAKE CYLINDERS AND PARTS



- Brake Cylinder**
1955 1956 1957
Front, Right
A2061G..... 21.71 Each
- Brake Cylinder**
1955 1956 1957
Front, Left
A2062D..... 15.08 Each
- Brake Wheel Cylinder Repair Kit, 7/8"**
1955
Rear
A2128B..... 5.43 Each
- Brake Wheel Cylinder Repair Kit, 15/16"**
1956 1957
Rear
A2128D..... 9.75 Each
- Brake Wheel Cylinder Repair Kit, Complete**
1955
Front and Rear
A2129BK..... 26.49 Each
- Brake Wheel Cylinder Repair Kit, Complete**
1956 1957
Front and Rear
A2129CK..... 29.00 Each
- Brake Cylinder Repair Kit, 1 1/8"**
1955 1956 1957
Front
A2221F..... 5.01 Each
- Brake Wheel Cylinder, 15/16"**
1956 1957
Right, Rear
A2261D..... 26.42 Each
- Brake Wheel Cylinder, 7/8"**
1955
Right, Rear
A2261E..... 29.22 Each
- Brake Wheel Cylinder, 7/8"**
1955
Left, Rear
A2262B..... 29.22 Each
- Brake Wheel Cylinder, 15/16"**
1956 1957
Left, Rear
A2262D..... 26.42 Each

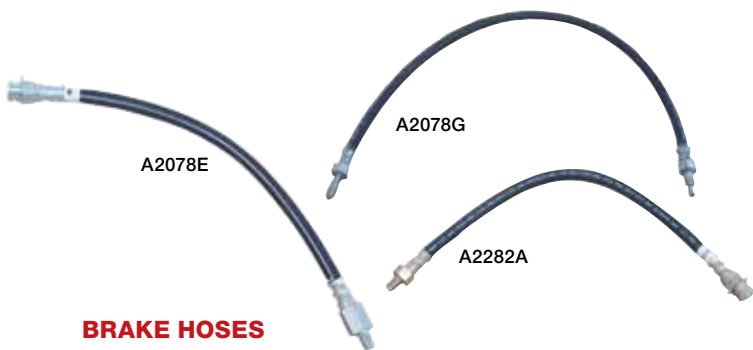
Follow Us On Facebook

Visit our facebook page and be one of the 21,000 follower's. Check out the images and parts at facebook.com/larrystbird

- Rear Brake Hose Bracket With Bolt**
1955 1956 1957
A2073A..... 11.69 Each

BRAKE LINE JUNCTION BLOCKS

- Brake Line Junction Block**
1957
Rear
A2074A..... 40.91 Each
- Rear Brake Junction Block**
1955 1956
A2074B..... 66.58 Each
- Brake Line Block**
1955 1956 1957
Front, Left
A2075D..... 17.47 Each
- Brake Line Junction Block Bolt**
1955 1956 1957
A2150A..... 6.20 Each



BRAKE HOSES

Brake Hose, Booster to Frame Connector

1955 1956 1957
A2078E..... 48.75 Each

Brake Hose

1955 1956 1957
Front, Right Or Left
A2078G 22.75 Each

Brake Booster Hose

1955 1956 1957
A2249A..... 5.91 Each

Brake Hose

1955 1956 1957
Rear
A2282A..... 26.00 Each

Backing Plate Plug

1955 1956 1957
A2092A.....0.25 Each

DISC BRAKE CONVERSION KITS

Disc Brake Conversion Kit

1955
Without Power Brakes
A2123A.....1,578.15 Each

Disc Brake Conversion Kit

1955
With Power Brakes
A2123B..... 1,494.65 Each

Disc Brake Conversion Kit

1956
Without Power Brakes
A2123C..... 1,494.65 Each

Disc Brake Conversion Kit

1956
With Power Brakes
A2123D.....1,578.15 Each

Disc Brake Conversion Kit

1957
With Power Brakes
A2123E.....1,578.15 Each

Disc Brake Conversion Kit

1957
Without Power Brakes
A2123M.....1,578.15 Each

Disc Brake Conversion Kit

1955 1956 1957
Rear, Parking Brake Cables
Will Not Work With This Kit
A2124D.....843.35 Each

MASTER CYLINDER AND PARTS

Master Cylinder Rebuild Kit, 1"

1955 1956 1957
A2004E..... 26.72 Each

Master Cylinder Drip Pan

1956 1957
A2137A 24.22 Each



A2140G

Brake Master Cylinder

1955 1956 1957
1958 Without Power,
1959/1960 Without Power
and Without Air Conditioner
A2140G 98.53 Each

Master Cylinder Push Rod Cap

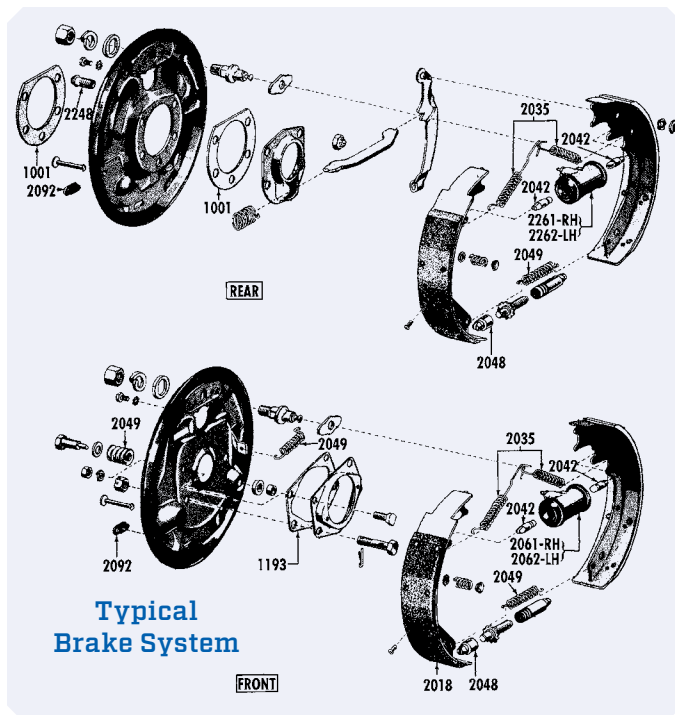
1955 1956 1957
A2142A..... 6.68 Each

Master Cylinder Push Rod

1955 1956 1957
A2143A.....23.30 Each

Master Cylinder Cap, Screw On Type

1955 1956 1957
Drum Type, Screw On
A2162B..... 8.77 Each



Typical Brake System

Master Cylinder Cap, Marked "BB"

1957
A2162C..... 50.03 Each

Master Cylinder Cap, Marked "Fomoco"

1955 1956
A2162J 55.04 Each

Master Cylinder Cap Gasket

1955 1956 1957
Drum Brakes
A2167D..... 2.44 Each

Master Cylinder Boot

1955 1956 1957
A2180B..... 2.92 Each

Brake Master Cylinder Rod Bushing

1955 1956 1957
A2474A 5.01 Each

Brake Line Clip

1955 1956 1957
Frame to Axle
A2244A..... 1.87 Each



Big Selection of Parts!

Whether it's a hard to find part or a standard Thunderbird replacement part, Larry's has what you're looking for. Our inventory of parts is concourse-quality. For fast service, give us a call. Our parts specialists are here to assist with your restoration needs!



BRAKE LINE

	'55	'56	'57	Part No.	Price
Midpoint to Rear	X			A2269A01	49.89 Each
Master Cylinder to Booster, Power	X			A2269A02	12.27 Each
Rear Axle, Right	X	X		A2269A03	38.97 Each
Midpoint to Rear		X		A2269A04	61.91 Each
Midpoint to Rear			X	A2269A05	74.85 Each
Rear Axle, Left	X	X		A2269A06	45.14 Each
Rear Axle, Left			X	A2269A07	29.22 Each
Rear Axle, Right			X	A2269A08	28.57 Each
Master Cylinder to Frame Block, Manual Brakes	X	X	X	A2269A09	25.19 Each
Master Cylinder to Booster, Power			X	A2269A10	27.59 Each
Under Engine	X	X	X	A2269A11	42.22 Each
Frame to Left Front Wheel	X	X	X	A2269A12	27.30 Each
Front to Midpoint	X	X	X	A2269A13	67.57 Each
Master Cylinder to Booster, Power		X		A2269A14	13.88 Each
Midpoint to Rear	X			A2269B01	50.02 Each

BRAKE LINE, STAINLESS

Master Cylinder to Booster, Power	X			A2269B02	19.21 Each
Rear Axle, Right	X	X		A2269B03	44.27 Each
Midpoint to Rear		X		A2269B04	57.78 Each
Midpoint to Rear			X	A2269B05	52.52 Each
Rear Axle, Left	X	X		A2269B06	36.89 Each
Rear Axle, Left			X	A2269B07	26.22 Each
Rear Axle, Right			X	A2269B08	43.75 Each
Master Cylinder to Frame Block, Manual Brakes, Stainless	X	X	X	A2269B09	28.04 Each
Master Cylinder to Booster, Power			X	A2269B10	20.02 Each
Under Engine	X	X	X	A2269B11	40.06 Each
Frame to Left Front Wheel	X	X	X	A2269B12	22.71 Each
Front to Midpoint	X	X	X	A2269B13	56.06 Each
Master Cylinder to Booster, Power		X		A2269B14	19.21 Each

BRAKE LINE KIT

Power Brakes			X	A2270A010	309.00 Kit
Manual Brakes			X	A2270A017	307.00 Kit
Power Brakes		X		A2270A028	309.00 Kit
Power Brakes	X			A2270A029	295.00 Kit
Manual Brakes	X			A2270A030	308.00 Kit
Manual Brakes		X		A2270A031	320.00 Kit

BRAKE LINE KIT, STAINLESS

Power Brakes			X	A2270B010	273.00 Kit
Manual Brakes			X	A2270B017	281.00 Kit
Power Brakes		X		A2270B028	289.00 Kit
Power Brakes	X			A2270B029	280.00 Kit
Manual Brakes	X			A2270B030	290.00 Kit
Manual Brakes		X		A2270B031	297.00 Kit

Larry's Brake Lines for '55-57 Thunderbirds are made from high-quality brake line tubing with double-flared ends and steel flared fittings. All lines have original-style steel spring protectors, steel sheathing protectors and looming materials in the proper places.

Brake Fitting Banjo Bolt

1955 1956 1957
A2276A..... 14.89 Each

VACUUM LINES

Vacuum Line With Fitting 1955

Booster to Manifold
A2369C 24.97 Each

Vacuum Line With Fitting, Stainless 1955

Booster to Manifold
A2369D 30.64 Each

Vacuum Line With Fitting 1956

Booster to Manifold
A2369E 28.21 Each

Vacuum Line With Fitting, Stainless 1956

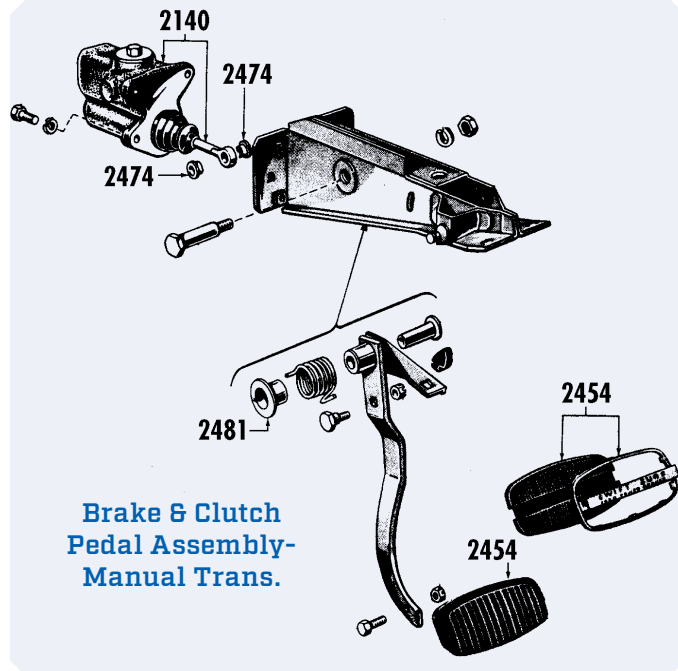
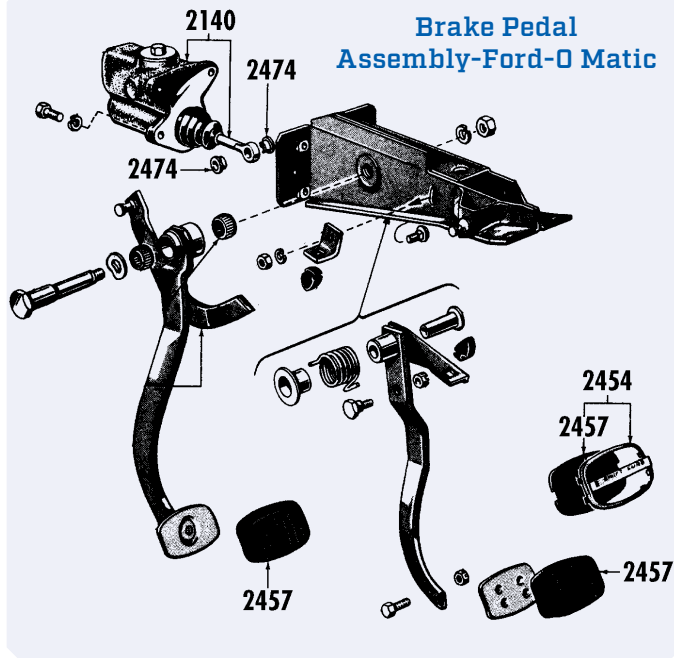
Booster to Manifold
A2369F 18.37 Each

Vacuum Line With Fitting 1957

Booster to Manifold
A2369G 28.21 Each

Vacuum Line With Fitting, Stainless 1957

Booster to Manifold
A2369H 35.75 Each





A2454C



A2457E



A2454D



A2457H

BRAKE PEDAL PARTS

Brake Pedal Pad, "Swift Sure", Without Band
1955 1956 1957
With Automatic Transmission,
With Power Brakes
A2454C 13.49 Each

Brake Pedal Pad "Swift Sure" Stainless Band
1955 1956 1957
With Automatic Transmission,
With Power Brakes
A2454D..... 13.45 Each

Brake Pedal Pad
1955 1956 1957
Manual Drum Brakes,
Automatic Transmission
A2454H21.71 Each

Brake/Clutch Pedal Pad
1955 1956
A2457C..... 7.93 Each

Brake/Clutch Pedal Pad
1957
1955/56 Ford Replacement,
1957 Original
A2457E.....9.10 Each

Brake Pedal Pivot Bushing
1955 1956 1957
A2461B..... 10.56 Each

Brake Pedal Spring Bushing
1955 1956 1957
A2481A..... 9.69 Each

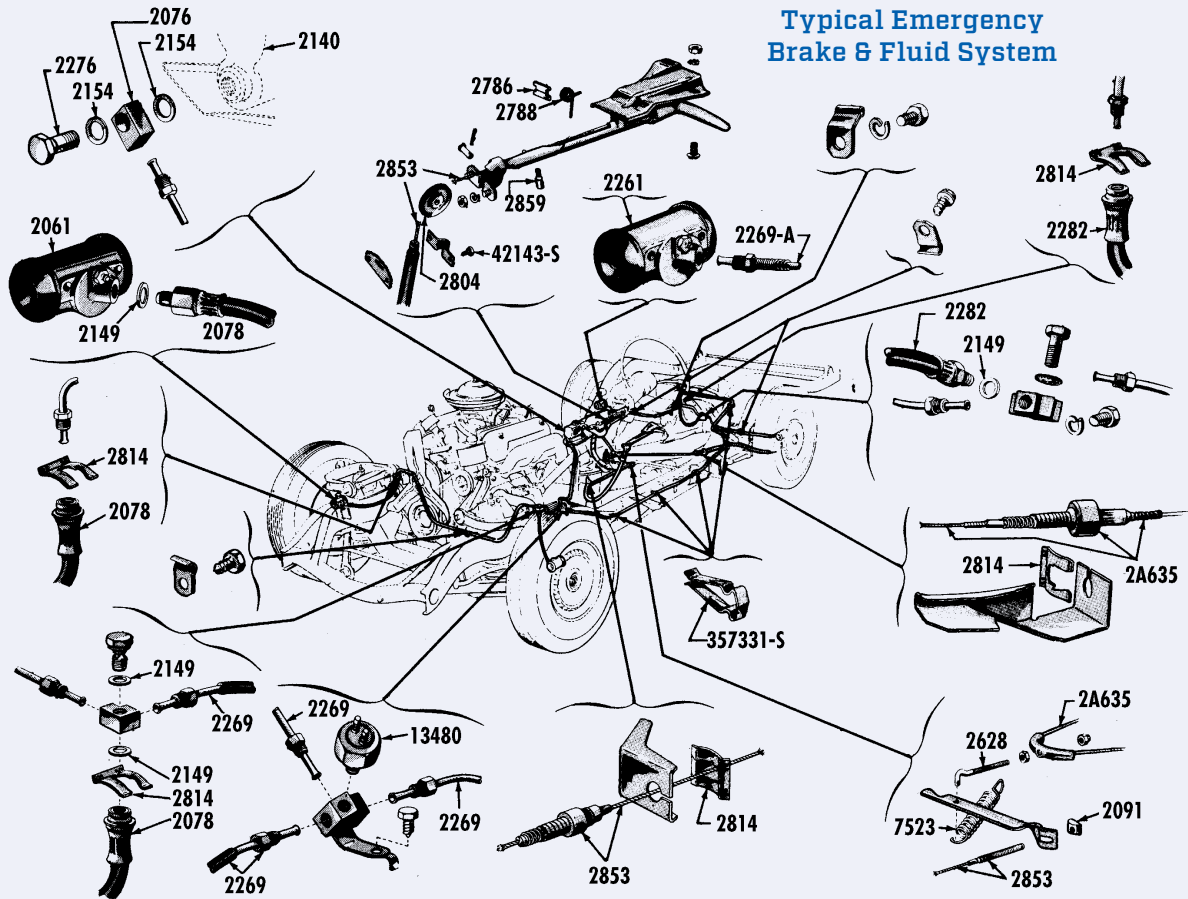
Clutch and Brake Pedal Bumper Stop
1955 1956 1957
A7583A..... 4.96 Each

PARKING BRAKE PARTS

- Parking Brake Equalizer Lever Nut**
1955 1956 1957
A2091A..... 3.51 Each
- Parking Brake Lever Retainer, "C" Clip**
1955 1956 1957
A2106A..... 1.49 Each
- Parking Brake Equalizer Lever**
1955 1956 1957
A2605C 14.20 Each
- Parking Brake Cable**
1955 1956
Rear, 1 Required
A2635A..... 44.25 Each
- Parking Brake Cable**
1957
Rear, 1 Required
A2635I..... 35.07 Each
- Rear Parking Brake Cable Kit**
1955 1956 1957
For Use With Rear Disc Brake
Kits, Universal
A2635W..... 148.63 Each
- Parking Brake Handle With Pin**
1955 1956 1957
A2780A..... 58.37 Each
- Parking Brake Ratchet Pawl**
1955 1956 1957
A2786A..... 9.69 Each

- Parking Brake Ratchet Spring**
1955 1956 1957
A2788A..... 3.01 Each
- Parking Brake Cable Pulley**
1955 1956 1957
A2804A..... 16.70 Each
- Parking Brake Pulley Cover Clip**
1955 1956 1957
A2805A..... 2.93 Each
- Parking Brake Cable Clip**
1955 1956 1957
Before 4/24/61
A2814B..... 1.25 Each
- Parking Brake Cable**
1955 1956 1957
Front
A2853F..... 40.91 Each
- Parking Brake Cable Clamp**
1955 1956 1957
A2857A..... 4.07 Each
- Parking Brake Cable Retainer**
1955 1956 1957
A2858A..... 4.38 Each
- Parking Brake Lever Pin**
1955 1956 1957
A2859A..... 3.14 Each
- Clutch / Parking Brake Spring**
1955 1956 1957
A7523B..... 4.07 Each

Typical Emergency Brake & Fluid System



Brake Hose Clip
1955 1956 1957
A2814A.....0.84 Each

Stoptlight Switch
1955 1956 1957
B13480A..... 7.70 Each

HARDWARE FOR THIS SECTION

Washer
1955 1956 1957
End of Brake Booster
CSB351204..... 3.94 Each

Fitting
1955 1956 1957
Brake Line to Booster
CSB353706..... 4.11 Each

Junction Block
1955 1956 1957
Front Brake Line
CSB354446.....93.57 Each

Manifold Vacuum Fitting, Brass
1955 1957
Power Brakes
CSB354447A.....53.44 Each

Manifold Vacuum Fitting, Brass
1956
Power Brakes
CSB354447B 41.67 Each

Fitting
1955 1957
Booster
CSB354448.....4.66 Each

Clip
1955 1956 1957
Brake Line, 4 Required
CSB357331.....3.02 Each

Brake Line Block to Axle
1955 1956
DHK1002..... 1.33 Each

Front Drum to Spindle
1955 1956 1957
DHK1008..... 8.81 Each

Brake Cylinder to Backing Plates
1955 1956 1957
DHK1009..... 3.19 Each

Brake Booster to Bracket
1955 1956 1957
DHK3007.....0.85 Each

Brake Booster Bracket to Apron
1955 1956 1957
DHK3008..... 1.79 Each

Master Cylinder to Firewall
1955 1956 1957
DHK3009.....2.67 Each

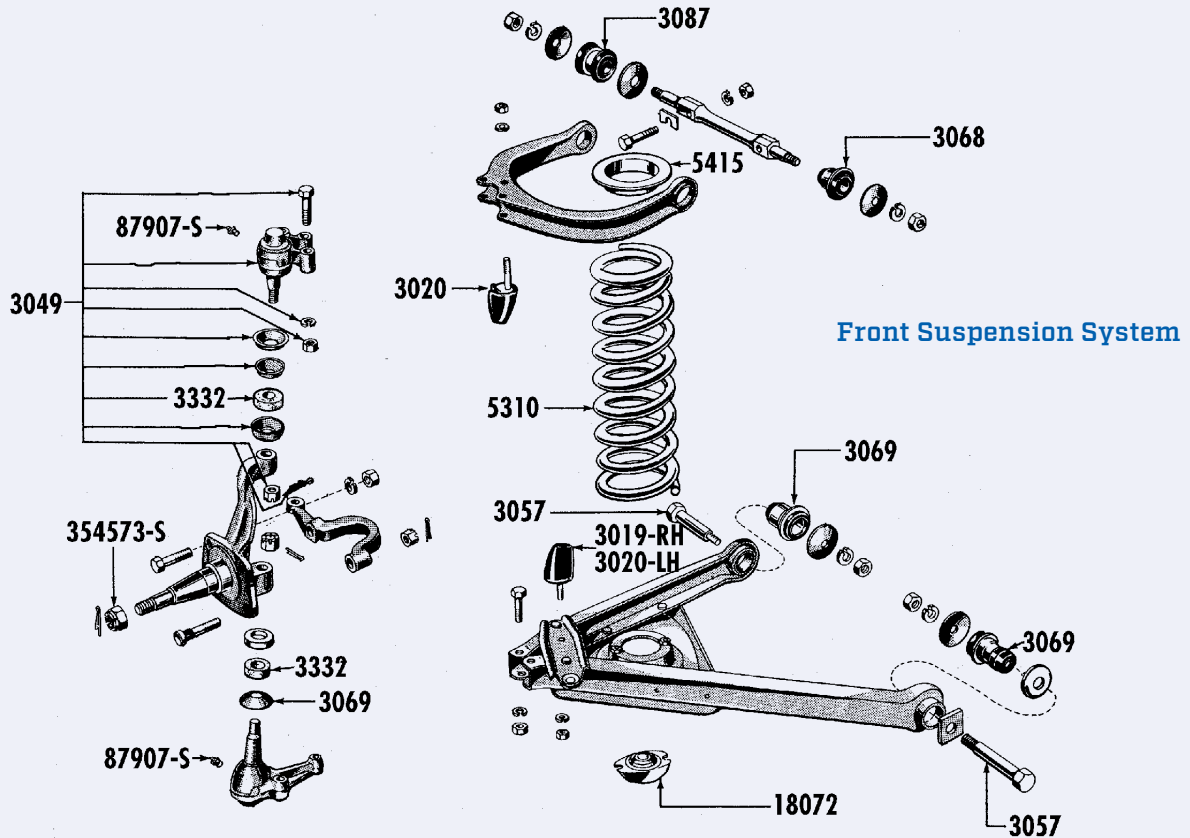
Fordomatic Brake Pedal to Arm
1955 1956 1957
DHK4000.....1.17 Each

Brake Pedal Bracket to Body
1955 1956 1957
DHK4001.....4.65 Each

Emergency Brake Assembly to Firewall
1955 1956 1957
DHK4002.....0.65 Each

Emergency Brake Cable to Firewall
1955 1956 1957
DHK4003.....0.52 Each

Pedal Assembly to Dash
1955 1956 1957
DHK4008..... 1.72 Each



SUSPENSION RENEWAL KIT

Suspension Renewal Kit
1955 1956 1957
A3000IK365.00 Kit

We carry a large inventory of concours-quality parts. Give us a call if you can't find what you need. Our knowledgeable parts specialists will be happy to help!



SUSPENSION ARM BUMPERS

Suspension Arm Bumper
1955 1956 1957
Lower Right
A3019A6.25 Each

Suspension Arm Bumper
1955 1956 1957
Lower Left
A3020C6.25 Each

Suspension Arm Bumper
1955 1956 1957
Upper
A3020D6.25 Each



A3021AK

Suspension Arm Bumper Kit, 4 Pieces
1955 1956 1957
A3021AK24.95 Each



A3048AK

A3051AK

BALL JOINTS AND PARTS

Ball Joint Felt and Washer Kit
1955 1956 1957
A3048AK23.00 Each

Ball Joint
1955 1956 1957
Upper
A3049E45.18 Each

Ball Joint
1955 1956 1957
Lower
A3050A 51.35 Each

Ball Joint Kit
1955 1956 1957
A3051AK 190.00 Each

Ball Joint Felt and Washer Kit
1955 1956 1957
Upper
A3054DK 9.56 Each

Ball Joint Washer Kit
1955 1956 1957
Lower
A3069E 3.77 Each

SUSPENSION ARM PARTS

Lower Suspension Arm Bolt

1955 1956 1957
A3057A.....35.90 Each

Suspension Arm Bushing

1955 1956 1957
Upper Front
A3068C5.36 Each

Lower A-Arm Bushing

1955 1956 1957
A3069C 12.84 Each



A3073BK

Suspension Arm Bushing Kit

1955 1956 1957
A3073BK76.00 Each

Suspension Arm Bushing

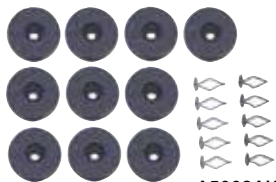
1955 1956 1957
Upper Rear
A3087A..... 7.31 Each

Suspension Arm Washer Kit, Zinc Plated

1955 1956 1957
Upper
A3090A.....3.44 Each

Suspension Arm Washer Kit, Zinc Plated

1955 1956 1957
Lower
A3091A.....5.45 Each



A5008AK

FRAME TO BODY BUMPERS AND SHIMS

Frame to Body Bumper Kit

1955 1956 1957
Includes Clips
A5008AK..... 15.00 Each

Body Shim, 1/8"

1955 1956 1957
A5010A..... 1.09 Each

Body Shim, 1/16"

1955 1956 1957
A5010B..... 1.09 Each

COIL SPRING AND PARTS

Coil Spring

1955 1956 1957
2 Required
A5310G..... 86.39 Each



A5310G

Coil Spring Spacer

1955 1956 1957
Left Side Only
A5355A..... 11.41 Each

Coil Spring Insulator

1955 1956 1957
Front
A5415A.....4.18 Each



A5482C

SWAY BAR AND PARTS

Sway Bar Kit, Performance

1955 1956 1957
Front and Rear Hotchkis Bars
A5482C 480.96 Each

Sway Bar Kit, 7/8"

1955 1956 1957
Front and Rear Standard Bars
A5482D 585.03 Each

Sway Bar Kit, 7/8"

1955 1956 1957
Rear
A5482L..... 292.52 Each

Sway Bar Kit, 7/8"

1955 1956 1957
Front
A5482Q 292.52 Each

Sway Bar Insulator Bracket

1955 1956 1957
A5486C 9.30 Each

Sway Bar End Kit, 1 Side

1955 1956 1957
A5486GK..... 29.00 Each

Sway Bar End Kit, 2 Sides

1955 1956 1957
A5487BK 59.00 Each

Sway Bar Frame Insulator Set

1955 1956 1957
A5493CK..... 6.00 Each



A5493CK



A5482C

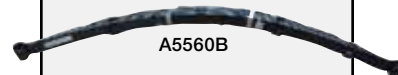
LEAF SPRING AND PARTS

Leaf Spring Clamp Liner

1957
A5334A.....2.34 Each

Spring Clamp Liner

1955 1956
A5334B.....0.87 Each



A5560B

Leaf Spring

1955
Original
A5560B 251.34 Each

Leaf Spring

1955
Replacement Type
A5560F 469.95 Each

Leaf Spring

1956 1957
Replacement Type
A5560H 435.57 Each

Leaf Spring

Anti-Squeak Pad
1955 1956 1957
A5586A.....6.66 Each

Leaf Spring Anti-Squeak Pad Set, Cloth

1955 1956 1957
A5586B 58.37 Set

Leaf Spring Anti Squeak Pad

1955 1956 1957
A5586D 1.95 Each

Shackle Kit

1955 1956 1957
Rear, 1 Side
A5630D 14.20 Each

Shackle and Bushing Kit

1955
A5631AK 54.00 Set



A5631BK

Shackle and Bushing Kit

1956 1957
A5631BK 67.00 Set

Continued on the next page

LEAF SPRING AND PARTS

Continued

Leaf Spring U-Bolt

1957
A5705F 11.61 Each

Leaf Spring U-Bolt

1955 1956
A5705G 15.03 Each

Leaf Spring Clamp Kit

1955 1956 1957
6 Required
A5724B 5.18 Each

Leaf Spring Mount Pad Retainer

1955 1956 1957
A5736A 6.26 Each

Leaf Spring Mounting Insulator

1955 1956 1957
A5741A 4.59 Each

Leaf Spring Mounting Bolt

1955 1956 1957
Front
A5780A 6.50 Each



A5724B

Leaf Spring Bushing

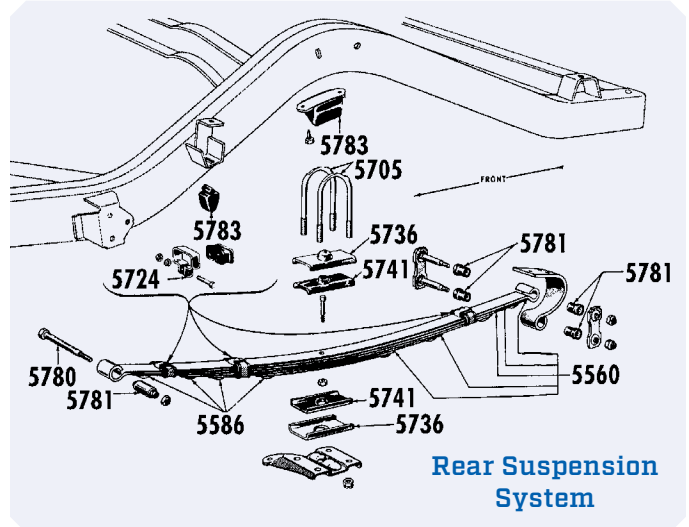
1955
Front
A5781E 6.26 Each

Leaf Spring Bushing

1956 1957
Front
A5781L 12.50 Each

Leaf Spring Bushing

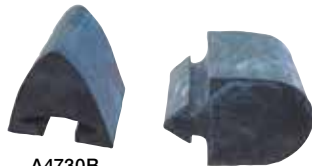
1955 1956 1957
Rear
A5781M 4.38 Each



Rear Suspension System

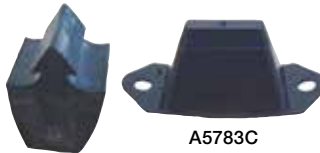
Save Big at Larry's

For information on how to save money on your on-line purchases, visit our website at www.larrybird.com to learn more.



A4730B

A5783A



A5783B

A5783C

REAR SPRING AND AXLE BUMPERS

Axle to Spring Bumper

1956 1957
2 Required
A4730B 6.50 Each

Spring and Rear Axle Bumper

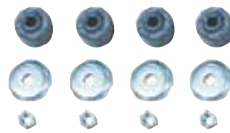
1957
1958/1960 3 Required,
1961/1964 2 Required
A5783A 5.95 Each

Leaf Spring Bumper

1955 1956
A5783B 6.95 Each

Axle Bumper

1955
A5783C 8.13 Each



B18124H

SHOCK ABSORBER AND PARTS

Front Lower Shock Bracket

1955 1956 1957
B18072A 16.62 Each

Shock Absorber Kit

1955 1956 1957
Front and Rear
B18123AK 160.00 Kit

Shock Absorber, Bilstein

1955 1956 1957
Front
B18124G 165.83 Each

Shock Absorber

1955 1956 1957
Front
B18124H 48.40 Each

Shock Absorber

1955 1956 1957
Rear
B18125E 34.37 Each



B18198BK

Shock Absorber, Bilstein

1955 1956 1957
Rear
B18125J 165.83 Each

Shock Absorber Mounting Kit

1955 1956 1957
For 1 Shock
B18198AK 12.75 Each

Shock Absorber Mounting Kit, Complete

1955 1956 1957
For 4 Shocks
B18198BK 50.00 Set

HARDWARE FOR THIS SECTION

A-Arm Bumpers to A-Arm

1955 1956 1957
DHK1010 1.59 Each

Upper Ball Joint to A-Arm

1955 1956 1957
DHK1011 4.39 Each

Lower Ball Joint to A-Arm

1955 1956 1957
DHK1012 7.31 Each

Lower A-Arm to Frame

1955 1956 1957
DHK1013 148.00 Each

Upper A-Arm to Frame

1955 1956 1957
DHK1014 12.87 Each

Stabilizer Bar Brackets to Frame

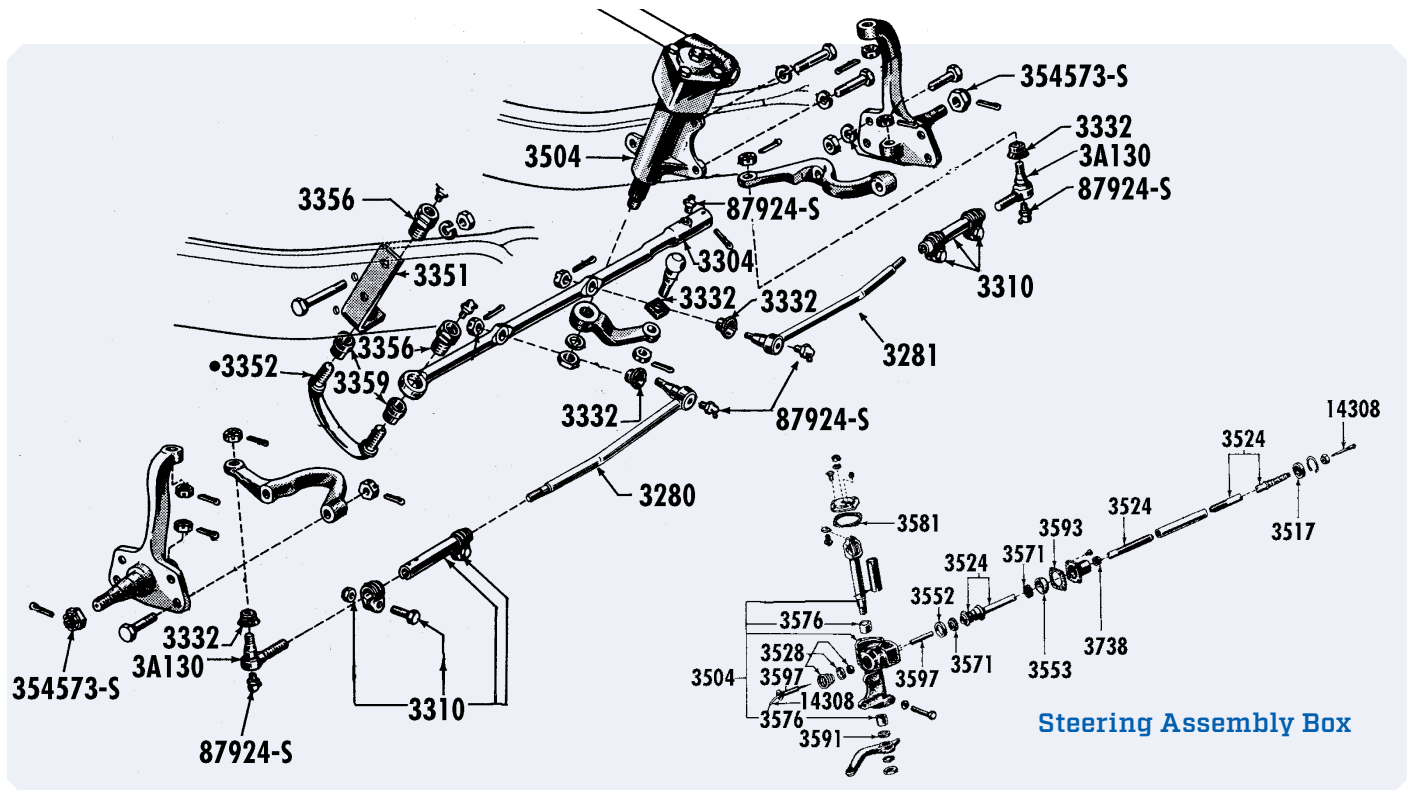
1955 1956 1957
DHK1018 2.18 Each

Rear Spring U-Bolt Nuts

1955 1956 1957
DHK1019 1.53 Each

Front Shock Plate to Lower Arm

1955 1956 1957
DHK3054 2.86 Each



STEERING RENEWAL KIT

Steering Renewal Kit 1955 1956 1957 Manual Steering A3001AK 226.00 Kit	Steering Renewal Kit 1955 1956 1957 Power Steering A3001BK 217.00 Kit
--	---

A3001BK

POWER STEERING RESERVOIR

Power Steering Reservoir Cap, With Stick
1955 1956 1957
1955/1957 All, 1958/1966
Without Air Conditioner
A3006A..... 23.30 Each

Power Steering Reservoir Lid
1955 1956 1957
1958/1964 Without Air
Conditioning
A3582A..... 26.80 Each

Aluminum Valve Cover Grommet and Power Steering Reservoir Cover Grommet
1955 1956 1957
1955/57 Aluminum Valve Covers, 1958/66 Eaton Power Steering Pump
A6570B..... 2.25 Each

Power Steering Reservoir Filter
1955 1956 1957
B33538A 21.96 Each

Power Steering Reservoir Mounting O-Ring
1955 1956 1957
Square Cut
B33547A..... 0.84 Each

TIE ROD AND CENTER LINK

Tie Rod 1955 1956 1957 Outer A3130A 27.63 Each	Tie Rod 1956 1957 Inner Right A3280A 39.16 Each
--	---

Continued on the next page

A3130A A3280A

TIE ROD AND CENTER LINK

Continued

Tie Rod

1956 1957
Left Inner
A3281A..... 39.16 Each

Steering Center Link

1955 1956 1957
Power Steering
A3304I.....263.03 Each



A3310A

Tie Rod Adjusting Sleeve

1955 1956 1957
A3310A..... 12.50 Each

Tie Rod End and Ball Joint Seal

1955 1956 1957
1955/1957 Qualifies
For CTCI Excellence
In Authenticity Award,
1958/1960 Tie Rod End
Only
A3332C 2.73 Each



IDLER ARM

Power Steering Idler Arm Bracket to Frame Nut

1955 1956 1957
A3351A..... 6.60 Each

Idler Arm Mounting Bracket

1955 1956 1957
Power Steering
A3351D..... 122.75 Each

Idler Arm

1955 1956 1957
Power Steering
A3352B..... 45.18 Each

Idler Arm and Bushing Kit

1955 1956 1957
Power Steering
A3352EK 59.00 Kit

Idler Arm

1955 1956 1957
Manual Steering
A3352F..... 36.25 Each

Idler Arm and Bushing Kit

1955 1956 1957
Manual Steering
A3352JK..... 68.00 Kit

Idler Arm Bushing Kit

1955 1956 1957
Power Steering
A3356BK..... 14.00 Each

Idler Arm Bushing

1955 1956 1957
Power Steering, Upper
A3356D 7.93 Each

Idler Arm Bushing

1955 1956 1957
Manual Steering
A3356E..... 13.49 Each

Idler Arm Bushing Kit

1955 1956 1957
Manual Steering
A3357AK..... 26.00 Each

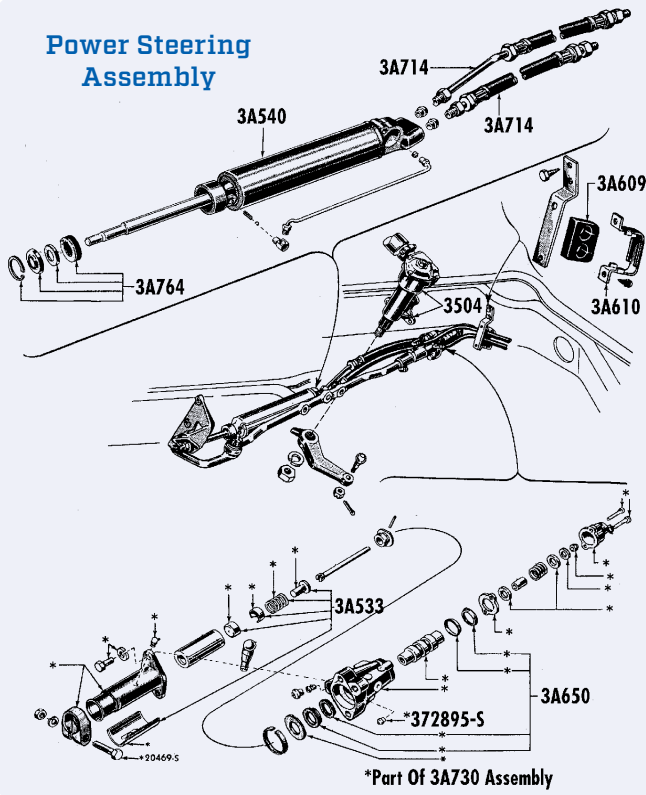
Idler Arm Bushing

1955 1956 1957
Power Steering, Lower
A3358A..... 6.18 Each

Idler Arm Seal

1955 1956 1957
Manual Steering
A3359A..... 4.94 Pair

Power Steering Assembly



*Part Of 3A730 Assembly

POWER STEERING KIT

Power Steering Kit, Replacement Type

1955 1956 1957
A3500C2,999.95 Each



STEERING BOX AND SHAFT

Steering Box Rebuild

1955 1956
1955/Early 1956
A3504A..... 459.25 Each

Steering Box Core

1955 1956
A3504AC 350.00 Each

Steering Box Rebuild

1956 1957
A3504E..... 651.30 Each

Steering Box Core

1956 1957
A3504EC 350.00 Each

Worm Gear Shaft Only

1955 1956 1957
A3524C..... 110.12 Each

Worm Gear Only

1955 1956 1957
A3524D..... 227.12 Each

Worm Gear Bearing Cup

1955 1956 1957
Lower
A3552B..... 19.62 Each

Worm Gear Bearing Cup

1955 1956 1957
Upper
A3553A..... 39.90 Each

Continued on the next page

STEERING BOX AND SHAFT

Continued

Worm Gear Bearing

1955 1956 1957
A3571A..... 6.66 Each

Sector Shaft Bearing

1955
1955/Early 1956, For 2 Tooth Sector
A3576A..... 15.03 Each

Sector Shaft Bearing

1956 1957
Late 1956/1957, For 3 Tooth Sector
A3576B.....21.71 Each

Steering Gear Cover Gasket

1955 1956 1957
A3581C..... 0.98 Each

Sector Shaft Seal

1955 1956
1955/Early 1956, For 2 Tooth Sector
A3591D..... 13.63 Each

Sector Shaft Seal

1956 1957
Late 1956/1957, For 3 Tooth Sector
A3591E..... 9.03 Each

Steering Gear Cap Shim, .002 Inch

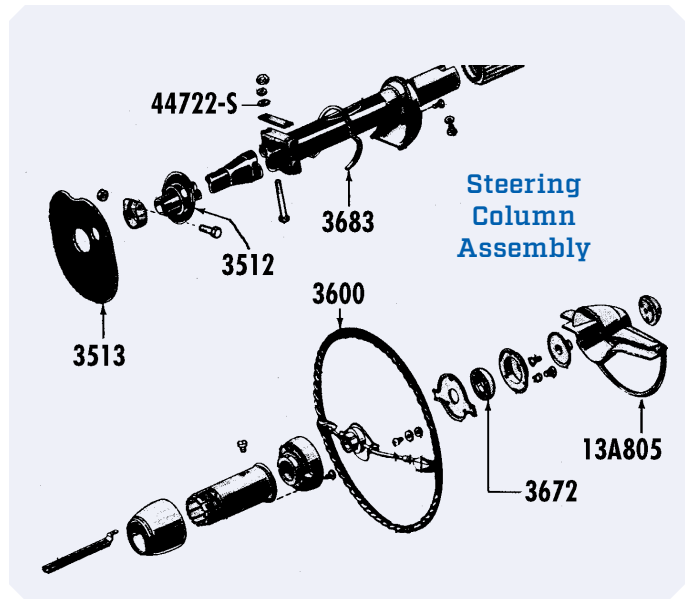
1955 1956 1957
A3593A..... 0.81 Each

Steering Gear Cap Shim, .01 Inch

1955 1956 1957
A3593B..... 0.98 Each

Steering Shaft Seal

1955 1956 1957
A3738B..... 9.40 Each






STEERING COLUMN

Tilt Steering Column Assembly
1955
A3509A..... 1,368.82 Each

Tilt Steering Column Assembly
1956 1957
A3509B..... 1,368.82 Each

Steering Column Grommet
1955 1956 1957
A3512B.....7.01 Each

Steering Column Seal
1955 1956 1957
Manual Transmission
A3513A..... 5.69 Each

Steering Column Seal
1955 1956 1957
Automatic Transmission
A3513I..... 5.69 Each

Steering Column Bearing
1955 1956 1957
A3517F..... 2.82 Each

Steering Column Adjusting Sleeve
1956 1957
A3526C..... 66.72 Each



Steering Column Seal Kit
1955 1956 1957
A3528B..... 5.43 Each



Steering Column Collar
1955
A3669A.....50.02 Each

Steering Column Bracket Insulator, Black
1956 1957
A3683A..... 14.63 Each

Steering Column Bracket Insulator, White
1955
A3683B.....7.52 Each

RAM CYLINDER

Power Steering Ram Cylinder, Rebuild
1957
A3540E.....151.97 Each

Power Steering Ram Cylinder, Core
1957
A3540EC..... 350.00 Each

Power Steering Ram Cylinder, New
1957
Replacement For 1959
A3540G..... 375.75 Each


Ram Cylinder Rebuild, With Side Tube
1955
Early 1955
A3540Q..... 208.75 Each

Ram Cylinder Core, With Side Tube
1955
Early 1955
A3540OC..... 350.00 Each

Ram Cylinder Rebuild
1955 1956 1957
Late 1955 to Early 1957
A3540Q..... 292.25 Each

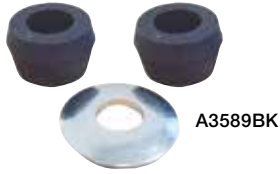
Ram Cylinder Core
1955 1956 1957
Late 1955 to Early 1957
A3540QC..... 350.00 Each

Ram Cylinder, New
1955 1956 1957
Late 1955 to Early 1957
A3540R..... 293.84 Each



RAM CYLINDER

Continued



Power Steering Ram Cylinder Eyelet Bushing Kit
1955 1956 1957
A3589BK.....20.00 Each

Ram Cylinder Mounting Kit
1955 1956
Rod End
A3590D 12.53 Each

Ram Cylinder Rod End Mount Kit

1957
A3590E..... 12.53 Each

Power Steering Ram Cylinder Seal Kit

1955
A3764C.....24.22 Each

Power Steering Ram Cylinder Seal Kit

1957
A3764D.....11.27 Each

Power Steering Ram Cylinder Seal Kit

1955 1956
A3764E.....20.88 Each



A3600A02



A3600A09



A3600B01

STEERING WHEEL

Steering Wheel, Black
1956 1957
A3600A01..... 410.00 Each

Steering Wheel, Peacock
1956
A3600A02..... 410.00 Each

Steering Wheel, Fiesta Red
1956
A3600A03 410.00 Each

Steering Wheel, Sage Green
1956
A3600A04 410.00 Each

Steering Wheel, Buckskin
1956
A3600A05 410.00 Each

Steering Wheel, Bronze
1957
A3600A06 410.00 Each

Steering Wheel, Green
1957
A3600A07..... 410.00 Each

Steering Wheel, White
1957
A3600A08 410.00 Each

Steering Wheel, Red
1957
A3600A09 410.00 Each

Steering Wheel, Blue
1957
A3600A10..... 410.00 Each

Steering Wheel, Unpainted
1956 1957
A3600A11295.00 Each

Steering Wheel, Black, 15 Inch
1956 1957
A3600B01 449.23 Each



A3691B

POWER STEERING PUMP

Power Steering Pump Mounting Bracket
1955 1956 1957
A3511A 56.70 Each

Power Steering Pump Bracket Bolt, 5/8-18 X 1 1/8"
1955 1956 1957
A3512A..... 14.03 Each

Power Steering Pump Support Bracket
1955 1956 1957
A3562A..... 53.69 Each

Power Steering Pump Rebuild Kit
1955 1956 1957
8 Cylinder
A3584A..... 34.94 Each

Power Steering Pump Rebuild
1957
Late 1957
A3691A..... 235.47 Each

Power Steering Pump Core
1957
A3691AC 250.00 Each

Power Steering Pump Rebuild
1955 1956 1957
A3691B..... 235.47 Each

Power Steering Pump Core
1955 1956 1957
A3691BC 250.00 Each

Power Steering Pump Reservoir
1957
Late Style
A3699A..... 40.91 Each

Power Steering Pump Adjusting Bracket
1955 1956 1957
A3732C..... 20.46 Each

Power Steering Pump Pulley
1955 1956 1957
A3733B..... 53.69 Each

Bearing
1955 1956 1957
Generator End Plate or Steering Pump
B10094A..... 4.39 Each

POWER STEERING HOSES

Power Steering Hose Insulator
1955 1956 1957
A3609A.....7.52 Each

Power Steering Hose Insulator Bracket
1955 1956 1957
A3610C..... 24.98 Each

Power Steering Return Hose
1955 1956 1957
A3713D26.00 Each

Power Steering Hose, Control Valve to Ram Cylinder
1955 1956 1957
1955/Early 1957
A3717A 17.06 Each

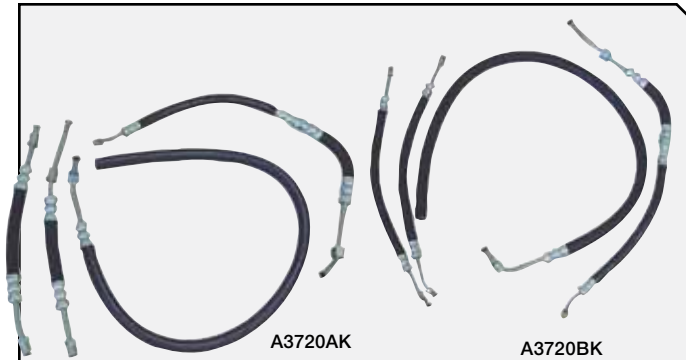
Power Steering Hose, Control Valve to Ram Cylinder
1957
1957 Late, With Male Fitting At Pump, Except 430 Engine
A3719C..... 30.06 Each

Power Steering Hose, Control Valve to Ram Cylinder
1957
Late 1957
A3714I..... 29.25 Each

Power Steering Hose, Control Valve to Ram Cylinder
1955 1956 1957
1955/Early 1957
A3717A 17.06 Each

Power Steering Pressure Hose
1957
1957 Late, With Male Fitting At Pump, Except 430 Engine
A3719C..... 30.06 Each

Continued on the next page



POWER STEERING HOSES

Continued

Power Steering

Pressure Hose

1955 1956 1957
1955/Early 1957
A3719R.....41.44 Each

Power Steering Hose Kit

1955 1956
A3720AK 108.00 Set

Power Steering Hose Kit

1957
Early 1957
A3720BK 125.00 Set

Power Steering Hose Kit

1957
Late 1957
A3720CK 114.00 Set

Power Steering Return Line to Pump Fitting

1955 1956 1957
A3725A 25.47 Each

POWER STEERING CONTROL VALVE

Power Steering Control Valve Ball Stud Kit

1957
A3533A 43.42 Each

A3533A



Power Steering Control Valve Repair Kit, 2 Seals

1957
A3650A 9.75 Each

Power Steering Control Valve Repair Kit

1955 1956
1955 to Early 1957
A3650C 24.38 Each

Power Steering Ball Stud Shield

1957
A3728A 6.01 Each

Power Steering Ball Stud Shield

1955 1956
A3728B 6.01 Each

Power Steering Control Valve Rebuild

1957
Late 1957/1959
A3730C 208.75 Each

Power Steering Control Valve Core

1957
Late 1957/1959
A3730CC 350.00 Each

Power Steering Control Valve Rebuild, Clamp Type

1955 1956 1957
1955 to Early 1957
A3730J 210.42 Each

Power Steering Control Valve Core, Clamp Type

1955 1956 1957
Core Fee
A3730JC 350.00 Each

Power Steering Control Valve Socket

1957
A3754C 26.72 Each

BELTS

V Belt

1955 1956
Power Steering, to Early 1956,
Like Original Marked ECD-
33558A
A8620D 24.97 Each

V Belt

1957
Power Steering, Late 1957,
Original
A8620J 24.97 Each

V Belt

1956 1957
Power Steering, Like Original
Marked ECJ-33558A
A8620Q 24.97 Each

V Belt

1955 1956 1957
Fan or Power Steering
A8620V 19.25 Each

Big Selection of Parts! Whether it's a hard to find part or a standard Thunderbird replacement part, Larry's has what you're looking for. Our inventory of parts is concours-quality. For fast service, give us a call. Our parts specialists are here assist with your restoration needs!

HARDWARE FOR THIS SECTION

Copper Washer Seal

1955 1956 1957
Banjo Fitting to Power
Steering Pump
CSB351789 2.25 Each

Fitting, Female Type

1955 1956 1957
Power Steering Pressure
Hose At Pump; 1955 to
Early 1957
CSB351791 19.62 Each

Bolt

1955 1956 1957
Power Steering Connector
CSB351792 21.63 Each

Castle Nut, 3/4-16

1955 1956 1957
Spindle
CSB354573 3.11 Each

Grease Fitting, 90 Degree

1955 1956 1957
Manual Steering Idler Arm
Bushing
CSB358032 1.24 Each

Adapter Fitting

1955 1956 1957
to Adapt 1957 Power Steering
Hoses to 1955/56 Ram
Cylinder
CSB383063 12.79 Each

Idler Arm Bracket to Frame

1955 1956 1957
Power Steering
DHK1005 3.64 Each

Idler Arm Bracket to Frame

1955 1956 1957
Manual Steering
DHK1006 2.93 Each

Idler Arm to Bushings

1955 1956 1957
Power Steering
DHK1007 2.57 Each

Tie Rod Ends to Linkage

1955 1956 1957
DHK1015 3.90 Each

Steering Box to Frame

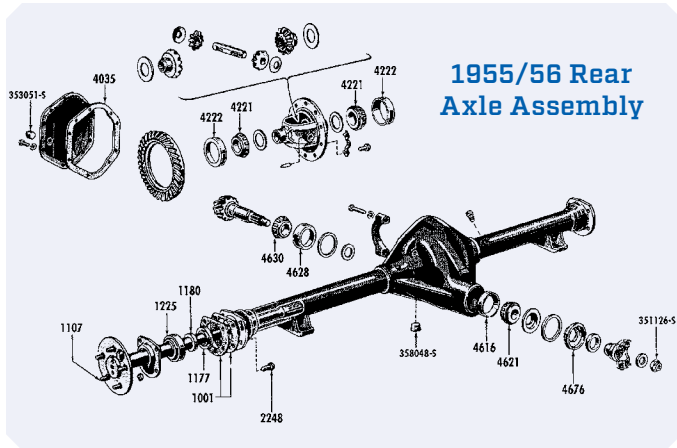
1955 1956 1957
DHK3010 4.39 Each

Steering Column Trim to Retainer

1955 1956 1957
DHK4004 1.46 Each

Steering Column Seal to Firewall

1955 1956 1957
DHK4005 2.37 Each



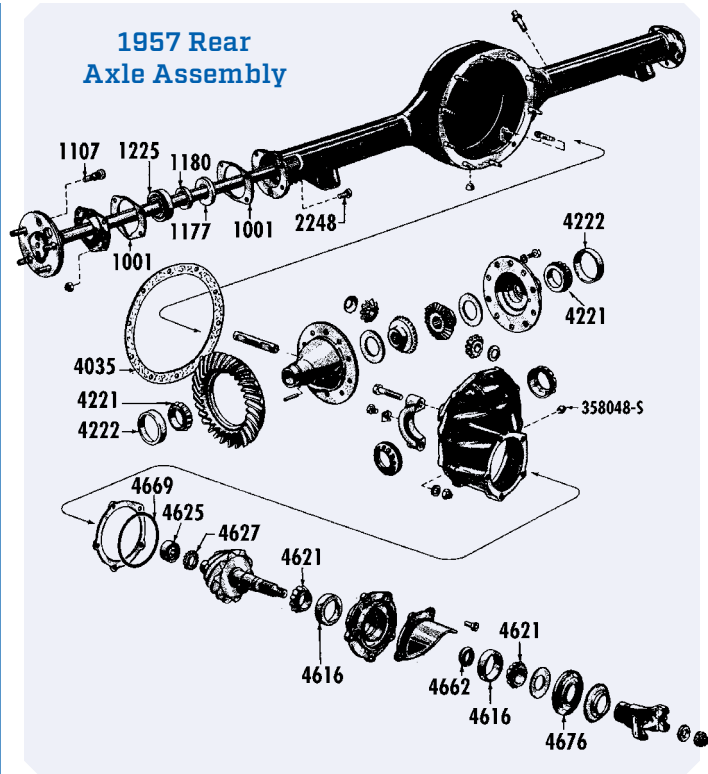
1955/56 Rear Axle Assembly

- Rear Wheel Bearing Gasket**
1955 1956 1957
A1001A 0.81 Each
- Grease Seal, 1-1/2 Inch ID, 2-1/2" OD**
1955 1956 1957
Rear Axle, Inner
A1177G 5.17 Each
- Axle and Pinion Seal Kit**
1955 1956
A1200AK 23.00 Kit
- Axle and Pinion Seal Kit**
1957
A1200BK 55.00 Kit
- Rear Axle Bearing, 1-17/32" ID, 3-5/32" OD (Large)**
Includes Retainer, #88128
1955 1956 1957
A1225B 22.72 Each
- Differential Gasket**
1955 1956
A4035A 3.41 Each
- Differential Gasket**
1957
A4035C 6.53 Each
- Rear End Spider Gear Kit**
1957
A4215A 293.92 Set
- Rear End Spider Gear Kit**
1955 1956
A4215C 359.00 Set
- Differential Bearing, 1 25/32" ID**
1957
A4221G 12.68 Each
- Differential Bearing Cup, 3 1/16" OD**
1957
A4222F 6.14 Each

- Pinion Bearing Cup**
1955 1956
A4616B 11.54 Each
- Pinion Bearing Cup**
1957
A4616C 5.82 Each
- Pinion Bearing**
1957
A4621C 10.92 Each
- Pinion Bearing**
1955 1956
A4621D 27.98 Each
- Pinion Pilot Bearing**
1957
A4625B 17.39 Each
- Pinion Pilot Bearing Retainer**
1957
A4627B 21.51 Each
- Pinion Bearing Cup**
1955 1956
A4628A 12.97 Each
- Pinion Bearing**
1955 1956
A4630B 30.19 Each



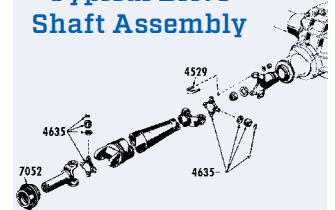
- U-Joint**
1955
A4635A 30.06 Each
- U-Joint, Internal Snap Rings**
1955
A4635C 12.50 Each
- U-Joint**
1956 1957
A4635H 26.81 Each



1957 Rear Axle Assembly

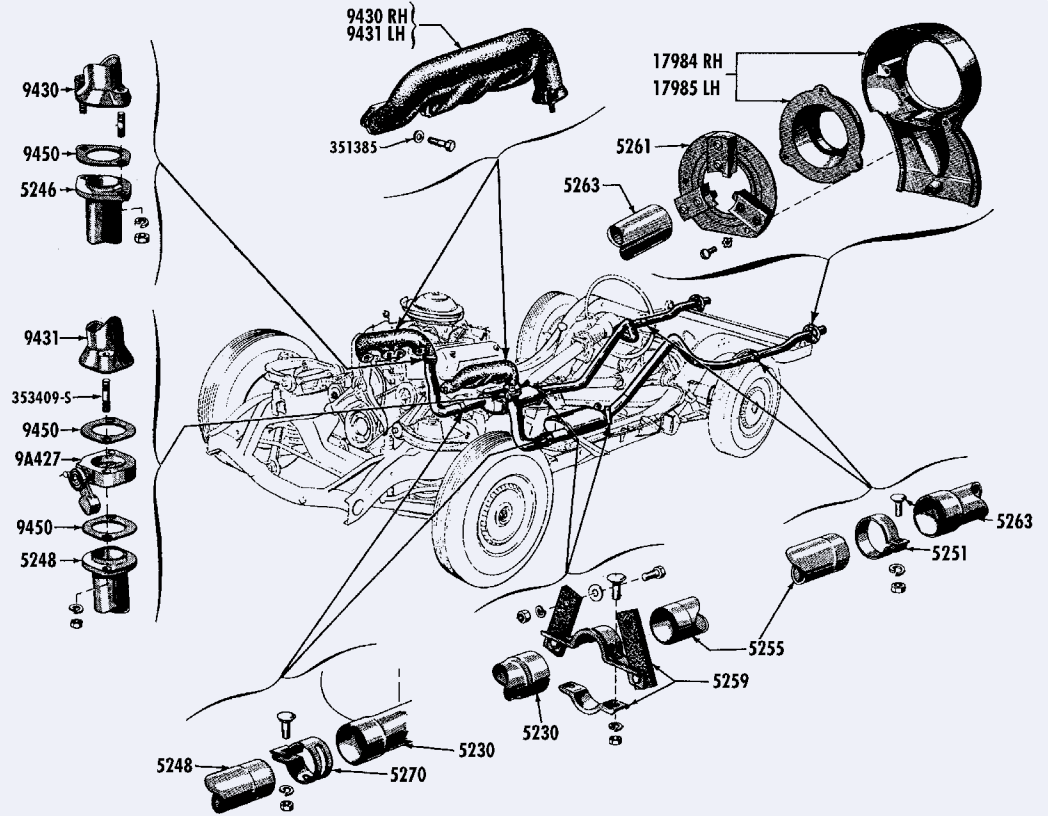
- Pinion Bearing Spacer**
1955 1956 1957
A4662A 7.55 Each
- Pinion Bearing O-Ring**
1955 1956 1957
A4669B 2.91 Each
- Pinion Oil Gasket**
1955 1956
A4671A 1.69 Each
- Pinion Oil Seal**
1957
A4676B 37.25 Each
- Pinion Oil Seal**
1955 1956
A4676C 4.84 Each
- Axle to Spring Bumper**
1956 1957
2 Required
A4730B 6.50 Each
- Spring and Rear Axle Bumper**
1957
1958/1960 3 Required,
1961/1964 2 Required
A5783A 5.95 Each
- Leaf Spring Bumper**
1955 1956
A5783B 6.95 Each
- Axle Bumper**
1955
A5783C 8.13 Each

Typical Drive Shaft Assembly



- Filler Plug**
1955 1956 1957
Differential
CSB353051 2.71 Each
- Drain Plug**
1955 1956 1957
Differential
CSB358048 3.16 Each
- Rear Axle Cover**
1955 1956
DHK1004 4.39 Each
- U-Joint Bolt Nuts and Washers**
1955 1956 1957
DHK1016 0.65 Each
- Third Member to Axle Housing**
1957
DHK1023 3.90 Each

Larry's T-Bird
1955-'57 Exhaust
Kits & Components
are assembled from
the highest quality
parts. You can be
assured that when
you purchase our
exhaust system
products, you
are installing
the best!



1955 EXHAUST SYSTEM

Muffler 1955 1956 1957 A5230G	91.85 Each
Muffler Inlet Pipe 1955 1956 1957 Right A5246E	53.55 Each
Muffler Inlet Pipe 1955 1956 1957 Left A5248A	53.55 Each
Tailpipe Clamp, 1 3/4" 1955 1956 Rear A5251A	13.23 Each
Tailpipe 1955 Right Front A5255A	101.37 Each
Tailpipe 1955 Left Front A5255Q	101.37 Each
Muffler Hanger 1955 1956 1957 Midpoint A5259A	25.97 Each

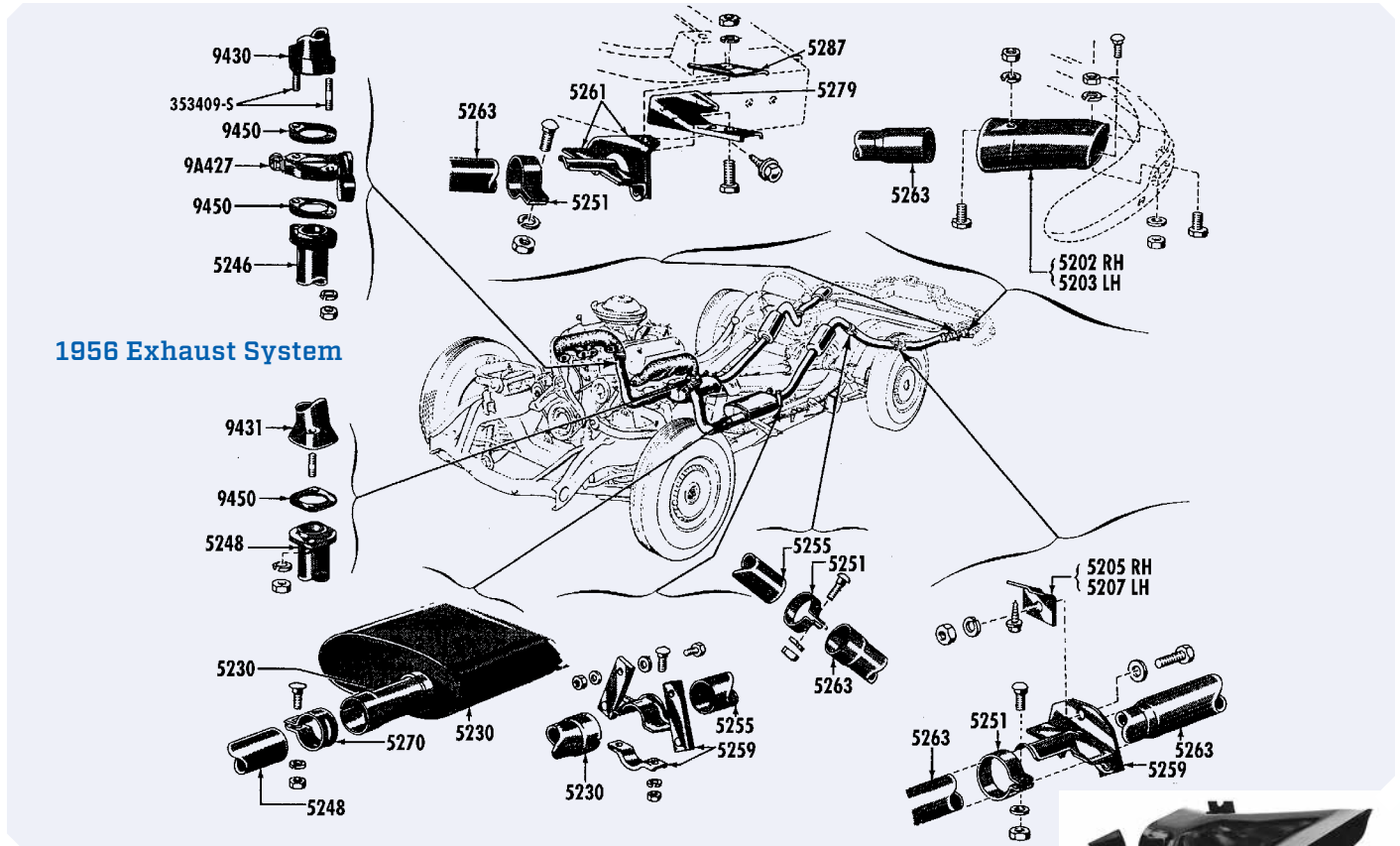
Tailpipe Hanger 1955 Rear At Bumper Guard A5261C	11.38 Each
Tailpipe 1955 Rear A5263C	70.56 Each
Muffler Clamp, 2" 1955 1956 1957 Front A5270A	12.97 Each
Exhaust Manifold 1955 1956 1957 Right Side A9430F	292.17 Each
Exhaust Manifold 1955 1956 1957 Left Side A9431F	292.17 Each
Exhaust Manifold Gasket Set 1955 1956 1957 A9432A	13.28 Each
Exhaust Manifold to Pipe Gasket 1955 1956 1957 Flat Gasket A9450A	3.75 Each

1956 EXHAUST SYSTEM

Rear Tailpipe Bracket 1956 1957 Right Midpoint A5205A	6.47 Each
Rear Tailpipe Bracket 1956 1957 Left Midpoint A5207A	6.47 Each
Muffler 1955 1956 1957 A5230G	91.85 Each
Muffler Inlet Pipe 1955 1956 1957 Right A5246E	53.55 Each
Muffler Inlet Pipe 1955 1956 1957 Left A5248A	53.55 Each
Tailpipe Clamp, 1 3/4" 1955 1956 Rear A5251A	13.23 Each

Tailpipe 1956 Right Front A5255I	81.25 Each
Tailpipe 1956 Left Front A5255O	93.86 Each
Muffler Hanger 1955 1956 1957 Midpoint A5259A	25.97 Each
Tailpipe Hanger 1956 1957 Rear A5259B	19.47 Each
Tailpipe Hanger 1956 Rear At Bumper Guard A5261A	9.69 Each
Tailpipe 1956 Right Rear A5263E	90.81 Each
Tailpipe, Stainless 1956 Left Rear A5263H	105.21 Each

Continued on the next page



1956 Exhaust System

EXHAUST HANGER KITS

A5256TK

A5256UK

A5256RK

Exhaust Hanger Kit 1955
A5256TK..... 129.00 Each

Exhaust Hanger Kit 1956
A5256UK..... 255.00 Each

Exhaust Hanger Kit 1957
A5256RK..... 220.00 Each

- Tailpipe**
1956
Left Rear
A5263J..... 90.81 Each
- Muffler Clamp, 2"**
1955 1956 1957
Front
A5270A..... 12.97 Each
- Tailpipe Hanger Bracket**
1956
Right Rear
A5278A..... 8.39 Each
- Tailpipe Hanger Bracket**
1956
Left Rear
A5279A..... 8.39 Each
- Tailpipe Hanger Bracket Plate**
1956
Rear
A5287A..... 1.14 Each
- Exhaust Manifold**
1955 1956 1957
Right Side
A9430F..... 292.17 Each
- Exhaust Manifold**
1955 1956 1957
Left Side
A9431F..... 292.17 Each



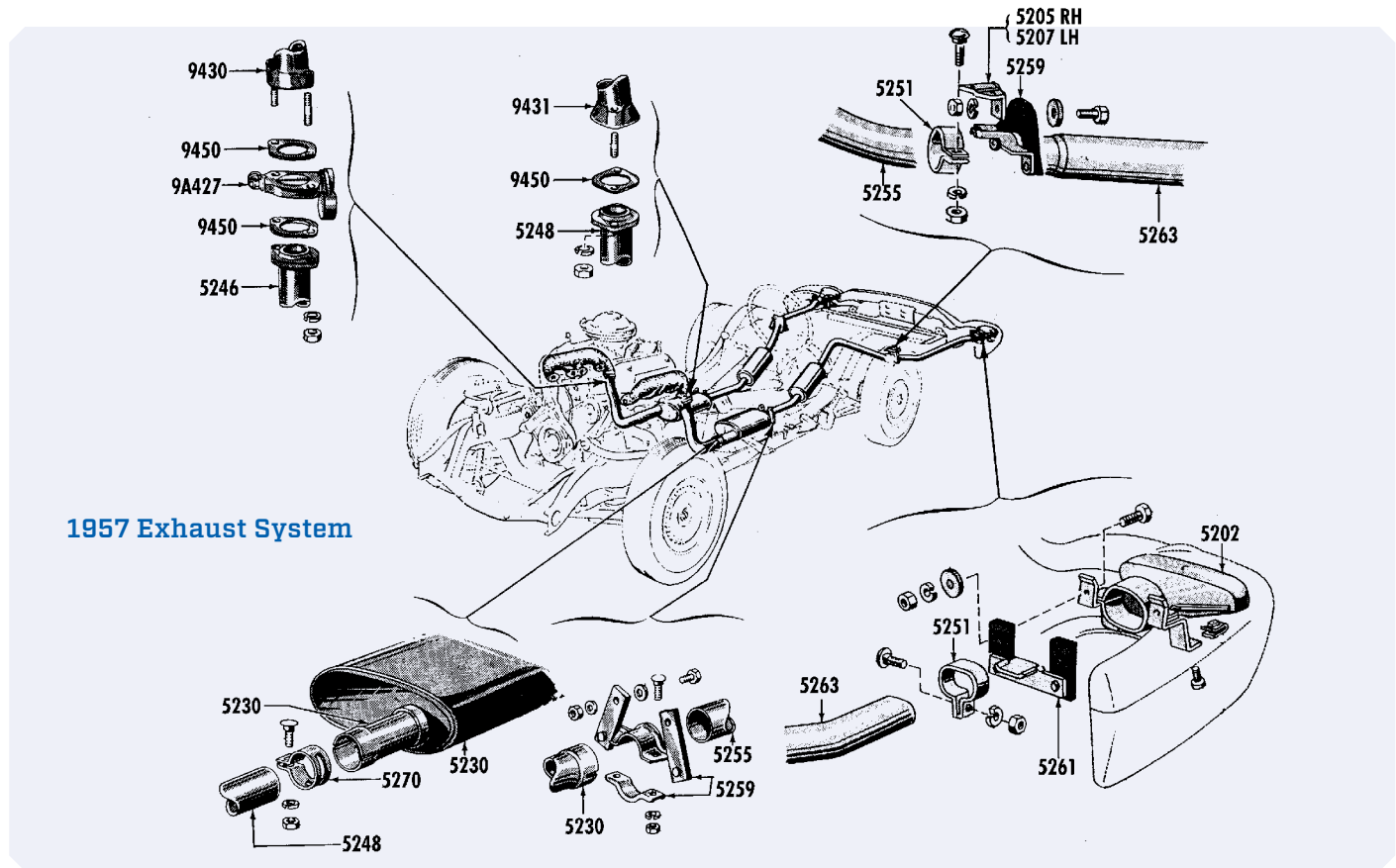
A5202A

- Exhaust Manifold Gasket Set**
1955 1956 1957
A9432A..... 13.28 Each
- Exhaust Manifold to Pipe Gasket**
1955 1956 1957
Flat Gasket
A9450A..... 3.75 Each

1957 EXHAUST SYSTEM

- Exhaust Deflector**
1957
A5202A..... 51.96 Each
- Rear Tailpipe Bracket**
1956 1957
Right Midpoint
A5205A..... 6.47 Each
- Rear Tailpipe Bracket**
1956 1957
Left Midpoint
A5207A..... 6.47 Each
- Muffler**
1955 1956 1957
A5230G..... 91.85 Each

Continued on the next page



1957 Exhaust System

Muffler Inlet Pipe

1955 1956 1957
Right
A5246E.....53.55 Each

Muffler Inlet Pipe

1955 1956 1957
Left
A5248A.....53.55 Each

Tailpipe Clamp

1957
Rear
A5251B.....7.77 Each

Exhaust Pipe Clamp 1-3/4"

1957
Midpoint
A5251C.....9.72 Each

Tailpipe

1957
Left Front
A5255D.....101.37 Each

Tailpipe

1957
Right Front
A5255T.....101.37 Each

Muffler Hanger

1955 1956 1957
Midpoint
A5259A.....25.97 Each

Tailpipe Hanger

1956 1957
Rear
A5259B.....19.47 Each

Tailpipe Hanger

1957
Rear At Bumper Guard
A5261D.....25.51 Each

Tailpipe

1957
Right Rear
A5263A.....117.10 Each

Tailpipe

1957
Left Rear
A5263B.....117.10 Each

Muffler Clamp, 2"

1955 1956 1957
Front
A5270A.....12.97 Each



Exhaust Manifold

1955 1956 1957
Right Side
A9430F.....292.17 Each

Exhaust Manifold

1955 1956 1957
Left Side
A9431F.....292.17 Each

Exhaust Manifold Gasket Set

1955 1956 1957
A9432A.....13.28 Each

Exhaust Manifold to Pipe Gasket

1955 1956 1957
Flat Gasket
A9450A.....3.75 Each

HARDWARE FOR THIS SECTION

Manifold Stud

1955 1956 1957
Right Side
CSB353409.....1.59 Each

Exhaust Hangers to Bumperette

1955
DHK1000.....1.46 Each

Exhaust Deflectors to Bumper

1956
DHK1021.....8.65 Each

Exhaust Deflectors to Bumper

1957
DHK1024.....14.43 Each

Exhaust Manifold to Pipes

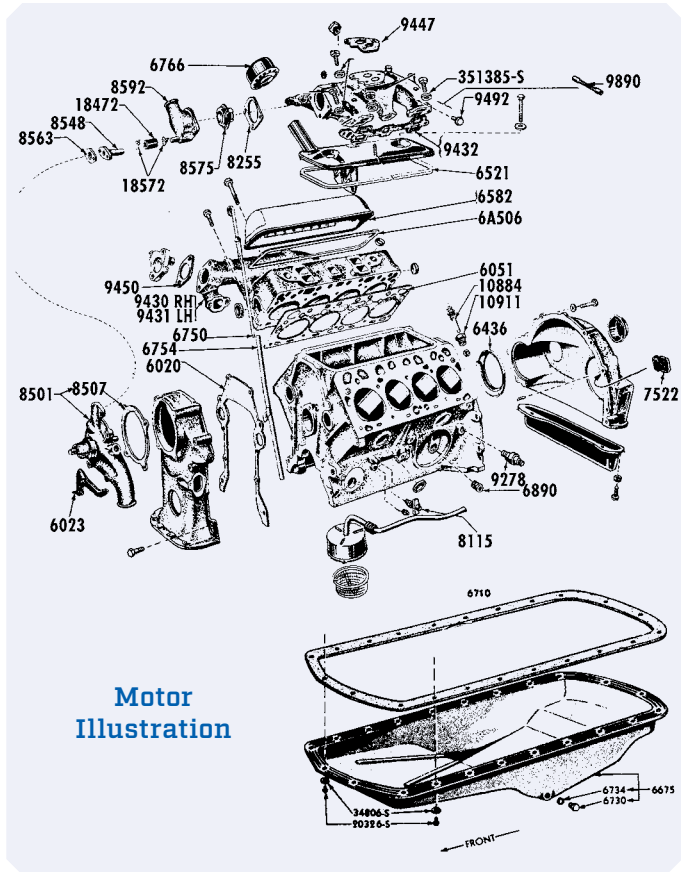
1955 1956 1957
DHK3011.....13.16 Each

Exhaust Mainfolds to Head

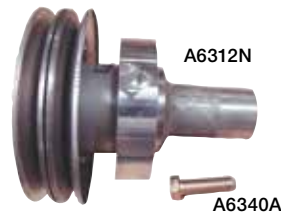
1955 1956 1957
DHK3034.....8.65 Each



Give us a call if you can't find the parts you need.



Engine Support Bolt Nut
 1955 1956 1957
 A6041A..... 9.02 Each



CRANKSHAFT AND FLYWHEEL PARTS

Crankshaft Balancer, Rebuild
 1955 1956 1957
 A6312L 293.92 Each

Crankshaft Balancer Core Fee
 1955 1956 1957
 A6312LC..... 250.00 Each

Crankshaft Balancer, New
 1955 1956 1957
 A6312N..... 676.35 Each

Crankshaft Balancer Sleeve
 1955 1956 1957
 A6312V 13.49 Each

Crank Rear Seal Set
 1955 1956 1957
 Rope Seal
 A6321A..... 30.68 Each

Crank Rear Seal Set
 1955 1956 1957
 312, Silicone
 A6321C..... 58.37 Each

Rear Main Seal Retainer
 1956 1957
 312
 A6335A..... 223.78 Each

Rear Main Seal Retainer
 1955 1956 1957
 292
 A6335B..... 139.86 Each

Dampener Bolt
 1955 1956 1957
 A6340A..... 3.01 Each

Flex Plate
 1955 1956 1957
 Ford-O-Matic Transmission
 A6375C..... 103.46 Each

Flywheel Ring Gear
 1955 1956 1957
 Standard Transmission and Overdrive
 A6384A..... 52.54 Each

Starter to Flywheel Seal
 1955 1956 1957
 A6436A..... 9.72 Each

Crank Dampener Removal Tool
 1955 1956 1957
 DTL17 75.15 Each

ENGINE GASKETS

Engine Gasket Kit
 1955 1956 1957
 A6008E..... 150.48 Each

Head Gasket
 1955 1956 1957
 A6051B..... 47.48 Each



TIMING CHAIN AND GEAR PARTS

Timing Cover Gasket
 1955 1956 1957
 A6020C 5.50 Each

Timing Cover Gasket Kit
 1955 1956 1957
 A6021A..... 21.98 Each

Timing Pointer
 1955 1956 1957
 A6023A..... 18.92 Each

Timing Gear Set
 1955 1956 1957
 A6268B..... 127.24 Each

Timing Chain Cover Seal
 1955 1956 1957
 A6700C 20.47 Each

ENGINE MOUNT PARTS

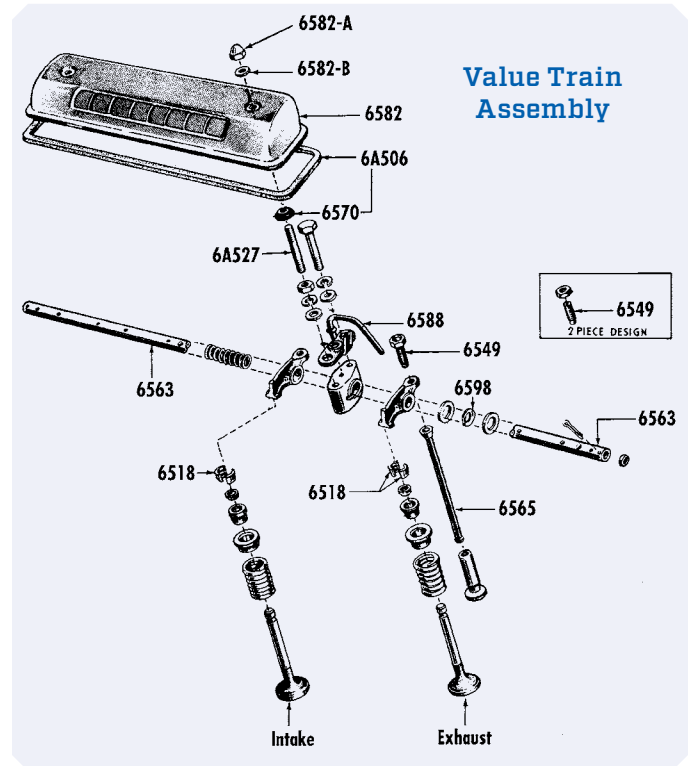
Engine Front Support Spacer
 1955 1956 1957
 A6027A..... 9.18 Each

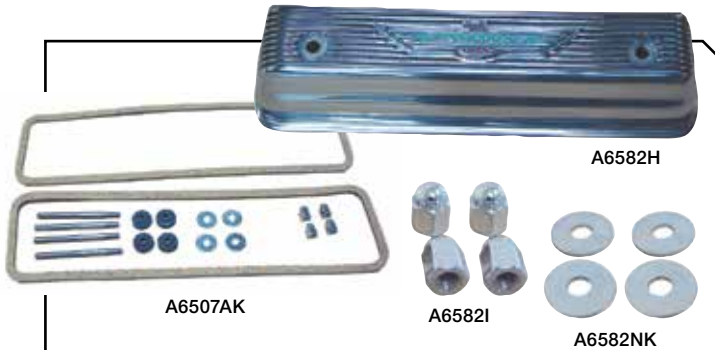
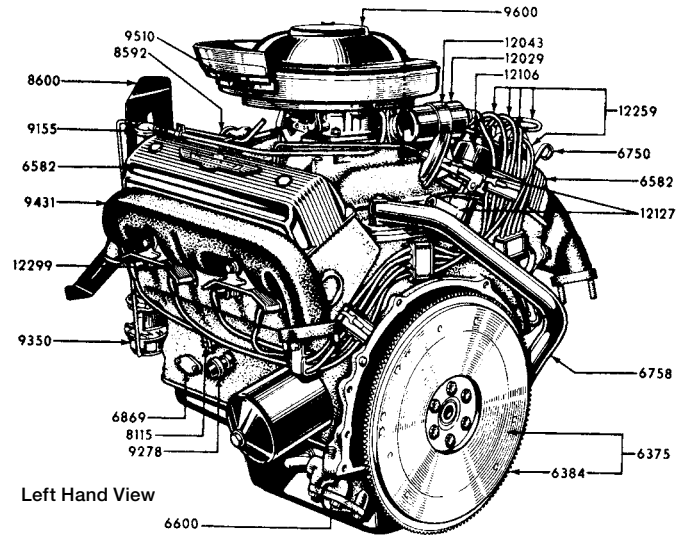
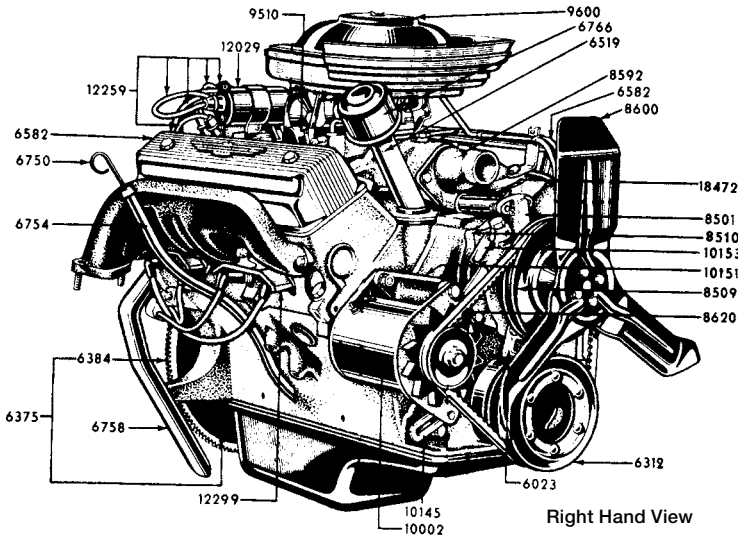
Engine Mount Kit
 1957
 A6037AK..... 180.00 Kit

Engine Mount Kit
 1955 1956
 A6037BK..... 180.00 Kit

Engine Mount Insulator
 1955 1956 1957
 A6038F 22.59 Each

Engine Mount Insulator
 1955 1956 1957
 A6039A..... 8.02 Each





VALVE COVERS

Valve Cover Gasket Set

1955 1956 1957
Aluminum Valve Covers
A6506AK.....22.00 Each

Valve Cover Gasket

1955 1956 1957
A6506B.....9.50 Each

Valve Cover Gasket Set

1955 1956 1957
Steel Valve Covers
A6506CK.....34.00 Each

Valve Cover Installation Kit

1955 1956 1957
Aluminum Valve Covers
A6507AK.....72.00 Each

Valve Cover Stud

1955 1956 1957
Aluminum Valve Covers
A6527A.....6.24 Each

Valve Cover Grommet

1955 1956 1957
Steel Valve Covers
A6570AK.....4.00 Each

Grommet

1955 1956 1957
1955/57 Aluminum Valve
Covers, 1958/66 Eaton Power
Steering Pump
A6570B.....2.25 Each

Valve Cover, Thunderbird Logo, Aluminum

1955 1956 1957
A6582H.....245.00 Each

Valve Cover Acorn Nut Set

1955 1956 1957
Aluminum Valve Covers
A6582I.....21.13 Set

Valve Cover Washer Set

1955 1956 1957
Aluminum Valve Covers
A6582NK.....9.00 Each

Valve Cover, Thunderbird Logo, Chromed Aluminum

1955 1956 1957
A6582O.....295.00 Each

Rocker Shaft Oil Tube

1955 1956 1957
A6588A.....14.98 Each

VALLEY PAN

Valley Pan

1957
Correct For E Model,
Fits All 292, 312
A6519A.....125.25 Each

Valley Pan Gasket

1955 1956 1957
A6521A.....16.09 Each

OIL PUMP AND PAN

Oil Pump, Hex Type

1955 1956 1957
A6600C.....175.28 Each



Oil Pump Shaft

1955 1956 1957
A6618E.....17.47 Each

Oil Pump Gasket

1955 1956 1957
A6659A.....5.62 Each

Oil Pump Tube Seal

1955 1956 1957
A6698A.....8.29 Each

Oil Pan Gasket

1955 1956 1957
A6710B.....13.00 Each

Oil Pan Drain Plug, Small

1957
A6730A.....16.90 Each

Oil Pan Drain Plug, Large

1955 1956
A6730C.....7.95 Each



Oil Drain Plug Gasket, Large

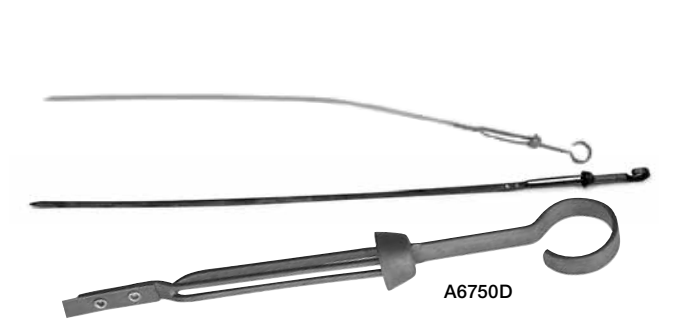
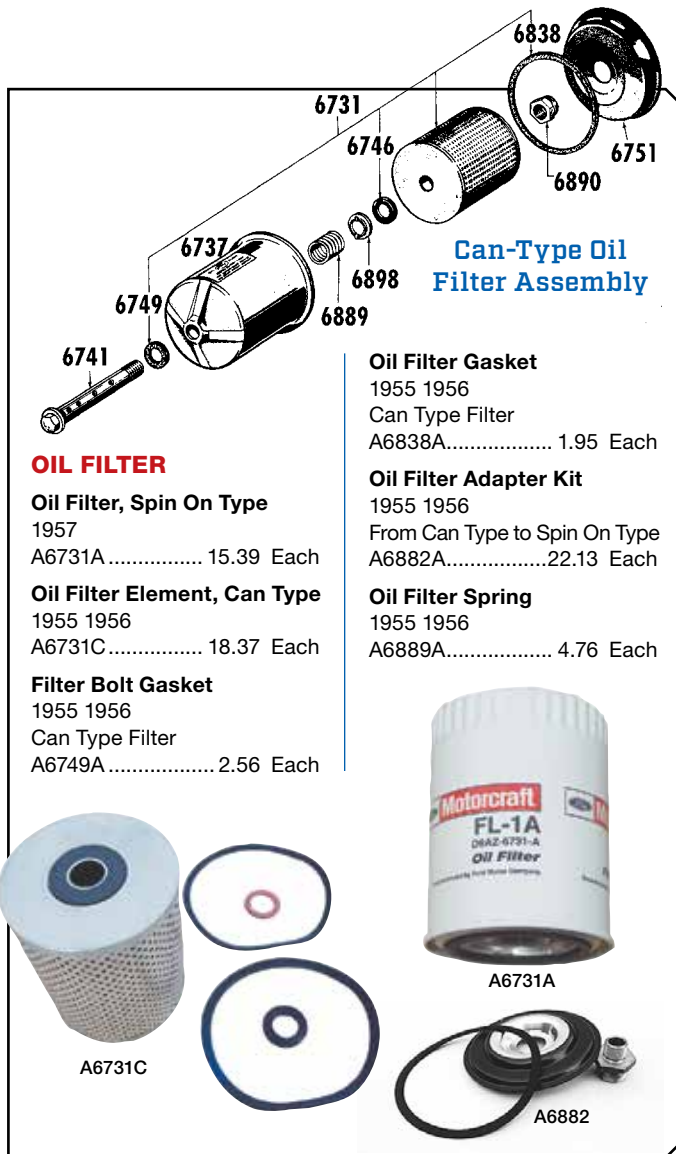
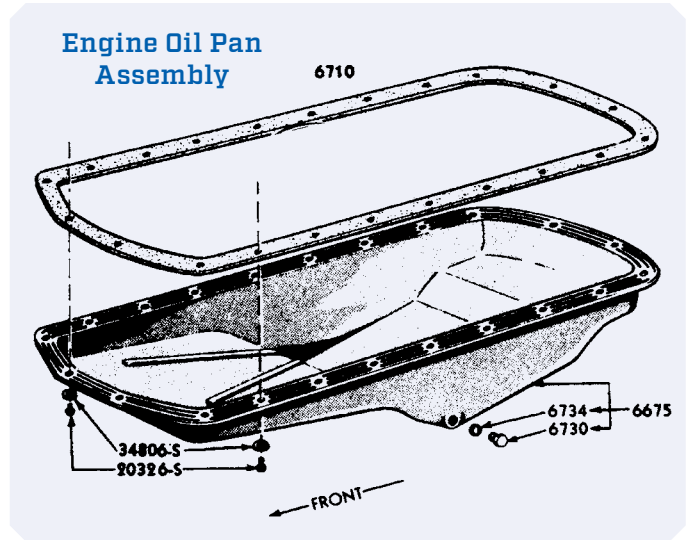
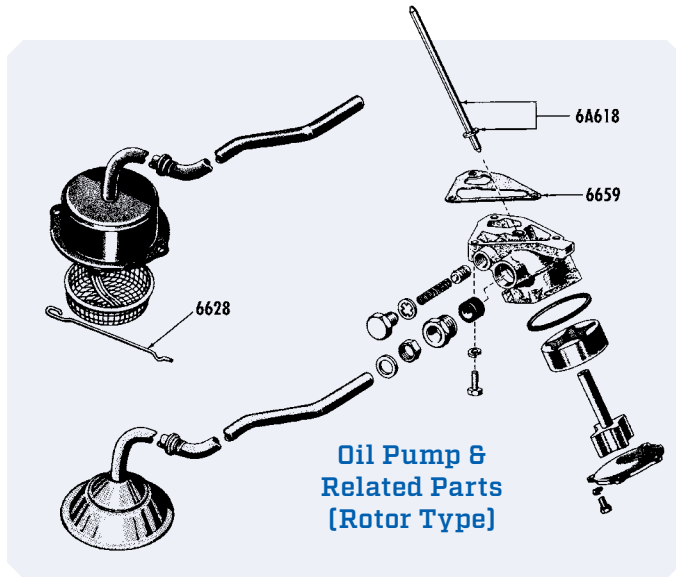
1955 1956
A6734D.....1.25 Each

Oil Pressure Sender

1955 1956 1957
with Gauge
A9278A.....7.10 Each



We carry a large inventory of concours-quality parts. Give us a call if you can't find what you need. Our knowledgeable parts specialists will be happy to help.



ENGINE OIL DIPSTICK AND TUBE

Engine Oil Dipstick
1955 1956 1957
A6750D..... 24.97 Each

Engine Oil Dipstick Tube
1955 1956 1957
A6754H.....27.00 Each



EMISSION PARTS

Road Draft Tube
1955 1956 1957
A6758B.....74.47 Each

PCV Adapter Kit
1955 1956
A6758C..... 91.85 Each

PCV Adapter Kit
1957
A6758D..... 108.55 Each

Breather Cap, Chrome
1955 1956 1957
A6766D.....34.13 Each

Breather Cap, Black
1957
without Dress-Up Kit
A6766T..... 66.63 Each

Crankcase Vent Plate
1955 1956 1957
A6869A..... 6.60 Each

Crankcase Vent Gasket
1955 1956 1957
A6872A..... 0.45 Each



ENGINE STEADY REST

Steady Rest Bracket

1955 1956 1957
Upper Right
A6954A.....17.95 Each

Steady Rest Bracket

1955 1956 1957
Upper Left
A6955A.....17.95 Each

Engine Steady Rest Kit

1955 1956 1957
A6960AK.....44.00 Each

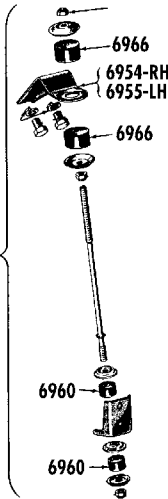
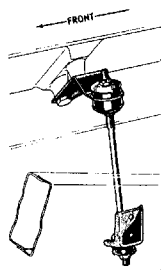
Steady Rest Grommet Kit

1955 1956 1957
A6966CK.....12.00 Set

Steady Rest Bolt

1955 1956 1957
A6968A.....13.81 Each

Engine Steady Rest



HARDWARE FOR THIS SECTION

Bolt

1955 1956 1957
Engine Support
CSA21090.....3.34 Each

Wiring Clip, Green

1955 1956 1957
Engine Compartment
CSB352999.....3.24 Each

Manifold Stud

1955 1956 1957.....
Right Side
CSB353409.....1.59 Each

Oil Pan to Block

1955 1956
DHK3004.....6.99 Each

Timing Cover to Engine

1955 1956 1957
DHK3012.....7.64 Each

Front Engine Mount to Frame

1955 1956 1957
DHK3013.....3.64 Each

Dampener to Crankshaft

1955 1956 1957
DHK3017.....4.00 Each

Valley Cover to Engine

1955 1956 1957
DHK3018.....1.92 Each

Downdraft Tube to Engine

1955 1956 1957
DHK3019.....0.72 Each

Steady Rest Bracket to Frame

1955 1956 1957
DHK3020.....2.57 Each

Vent Tube Opening Cover

1955 1956 1957
DHK3021.....1.24 Each

Intake Manifold to Engine

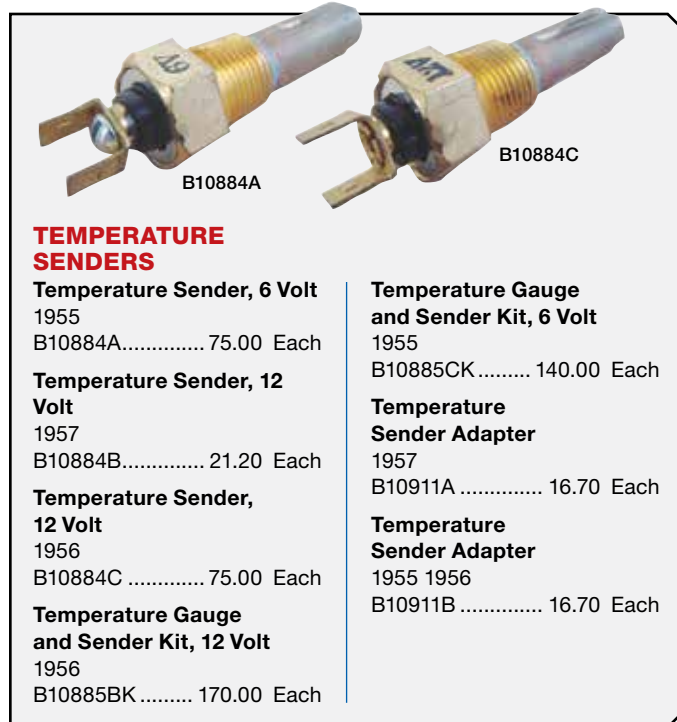
1955 1956 1957
DHK3033.....5.23 Each

Exhaust Manifolds to Head

1955 1956 1957
DHK3034.....8.65 Each

Oil Pan to Block

1957
DHK3065.....6.99 Each



TEMPERATURE SENDERS

Temperature Sender, 6 Volt

1955
B10884A.....75.00 Each

Temperature Sender, 12 Volt

1957
B10884B.....21.20 Each

Temperature Sender, 12 Volt

1956
B10884C.....75.00 Each

Temperature Gauge and Sender Kit, 12 Volt

1956
B10885BK.....170.00 Each

Temperature Gauge and Sender Kit, 6 Volt

1955
B10885CK.....140.00 Each

Temperature Sender Adapter

1957
B10911A.....16.70 Each

Temperature Sender Adapter

1955 1956
B10911B.....16.70 Each

ENGINE PAINTS

Paint, Argent

1955 1956
1955-1957 Air Cleaner and
Power Steering Reservoir,
1961-62 Valve Cover
DPT02.....16.08 Each

Engine Paint, Black

1955 1956 1957
DPT15.....11.39 Each

Engine Paint, Red

1955 1956 1957
DPT16.....12.64 Each

Engine Paint, Cast Blast

1955 1956 1957
DPT17.....14.53 Each

Touch Up Paint, Turquoise

1955 1956 1957
DPT19.....4.29 Each



DPT15

DPT16

DPT19

BELT

Belt

1955 1956
Power Steering, To Early
1956, Like Original Marked
ECD-33558A
A8620D.....24.97 Each

Belt

1957
Power Steering,
Late 1957, Original
A8620J.....24.97 Each

Belt

1956 1957
Fan, 4 Blade, Original
A8620P.....24.98 Each

Belt

1956 1957
Power Steering, Like Original
Marked ECJ-33558A
A8620Q.....24.97 Each

Belt

1957
Fan, 4 Blade, Original,
Late 1957
A8620S.....24.98 Each

Belt

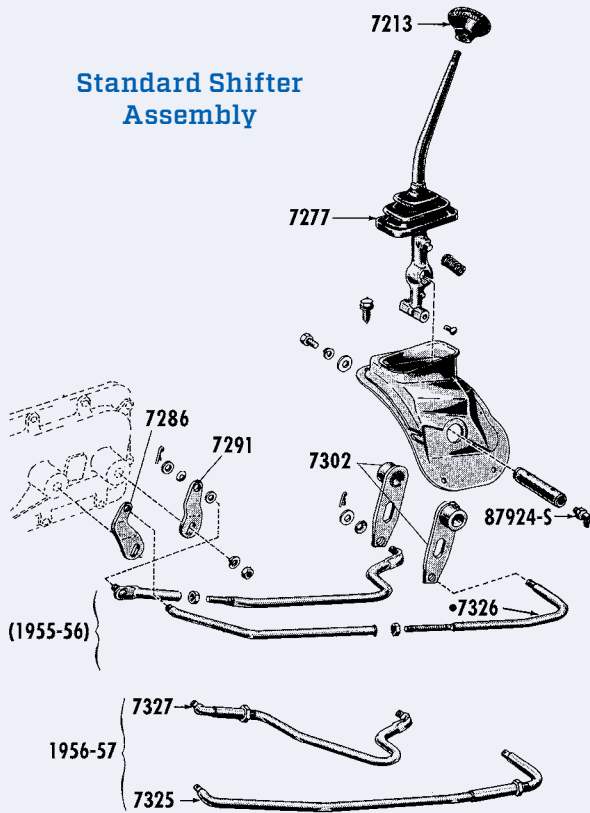
1955 1956
Fan, 3 Blade, Original
A8620U.....24.98 Each

Belt

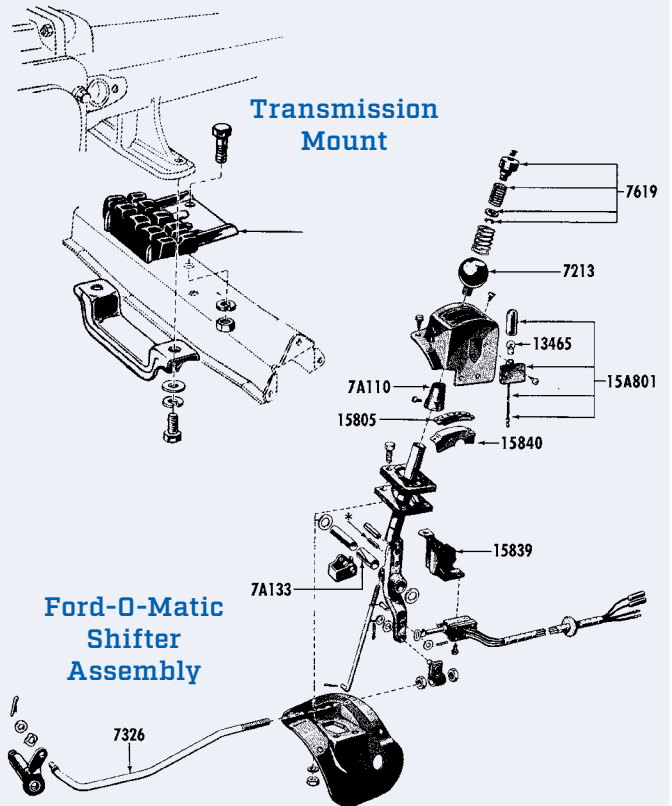
1955 1956 1957
Fan or Power Steering
A8620V.....19.25 Each



Standard Shifter Assembly



Transmission Mount



Ford-O-Matic Shifter Assembly

TRANSMISSION MOUNTING

Transmission Mount Retainer

1955 1956 1957
A6054A..... 48.35 Each

Transmission Mount

1955 1956
Except 430
A6068A..... 11.54 Each

Transmission Mount

1957
A6068B 13.81 Each



A6068A



A6068B

TRANSMISSION OVERHAUL AND MAINTENANCE

Automatic Transmission Overhaul Kit

1955 1956 1957
A7001A..... 413.99 Each

Transmission Filter and Gasket

1955 1956 1957
1955/57 All, 1958/66 Cruise-O-Matic
A7098A..... 20.49 Each

Transmission Oil Pan Gasket

1955 1956 1957
A7191C 9.75 Each

TRANSMISSION COOLING LINES

Transmission Cooling Lines

1957
Late 1957 (with Expansion Hump)
A7032B..... 46.76 Each

Transmission Cooling Lines

1956 1957
to Early 1957
A7032C..... 54.49 Each

EXTENSION HOUSING

Transmission Yoke Seal

1955
Except Overdrive
A7052A..... 6.44 Each

Transmission Yoke Seal

1956 1957
Overdrive
A7052B..... 19.21 Each

Give us a call if you can't find the parts you need. Our knowledgeable parts specialists will be happy to help!



A7133DK



A7247A



A7619A



B15801A

AUTOMATIC TRANSMISSION SHIFTER

Automatic Shifter Rebuild Kit

1955 1956 1957
A7100AK..... 130.00 Kit

Shifter Pointer

1955 1956 1957
A7110A157.82 Each

Shifter Pointer Screw

1955 1956 1957
A7110B 0.62 Each

Automatic Shifter Bushing and Washer Kit

1955 1956 1957
A7133DK 10.00 Each

Shift Lever Bushing

1955 1956 1957
A7133F 4.50 Each

Kickdown Rod

1956 1957
A7187E58.45 Each

Kickdown Rod

1955
A7187F58.45 Each

Shift Knob

1955 1956 1957
Automatic Transmission
A7213P 32.57 Each

Automatic Shifter Pivot Pin

1955 1956 1957
A7241A 8.63 Each

Neutral Safety Switch

1955 1956 1957
A7247A 117.95 Each

Shifter Lever Pawl

1955 1956 1957
Automatic Transmission
A7269A..... 19.96 Each

Shift Rod

1955 1956 1957
Automatic Transmission
A7326B..... 66.80 Each

Kick Down Bracket

1955
A7354A..... 15.03 Each

Shifter Release Rod

1955 1956 1957
Ford-O-Matic Transmission
A7489A..... 6.26 Each



B15805A



DAC03

Shifter Control Side Seal

1955 1956 1957
1955-57 Automatic
Transmission, 1965-66 with C-6
Transmission
A7498A..... 2.57 Each

Transmission Shift Knob Button

1955 1956 1957
A7619A22.13 Each

Transmission Shift Knob Button Spring

1955 1956 1957
A7619B 2.25 Each

Transmission Control Link Shield

1956 1957
Water Cooled Transmission
A7779A.....11.38 Each

Transmission Control Link Shield

1955 1956
Air Cooled Transmission
A7779B..... 8.95 Each

Automatic Transmission Adjusting Plate Gasket

1955 1956 1957
B12170A 2.50 Each

Shifter Light

1955 1956 1957
Automatic Transmission
B15801A.....37.26 Each

Shifter Lens

1955 1956 1957
Automatic Transmission
B15805A..... 9.30 Each

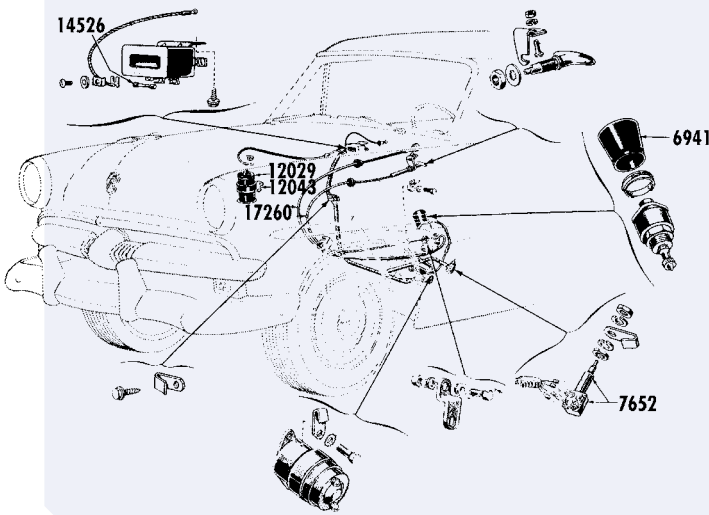
Shifter Lens Shield

1955 1956 1957
Automatic Transmission
B15840A..... 21.28 Each

Automatic Transmission Shifter Lock

1955 1956 1957
DAC0341.75 Each

Transmission Overdrive Wiring System—Typical



STANDARD TRANSMISSION SHIFTER

Shift Knob

1955 1956 1957
Standard Transmission
A7213M 10.50 Each

Shift Boot

1955 1956 1957
Standard Transmission
A7277A 22.55 Each

Shifter Side Seal

1955 1956 1957
Standard Transmission and
Overdrive
A7288B..... 1.02 Each

Park Gear Pawl Lever Pin

1955 1956 1957
A7295A..... 18.72 Each

Transmission Lower Shift Lever

1955 1956 1957
Standard Transmission
A7302A..... 52.61 Each

Continued on the next page



A7277A

Shift Rod

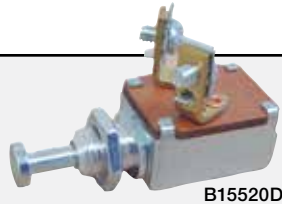
1955 1956 1957
Manual Transmission, 2nd
and 3rd Gear
A7325A..... 116.90 Each

Shift Rod

1955 1956 1957
Manual Transmission, 1st and
Reverse
A7327A115.23 Each

Shift Lever Support Shaft

1955 1956 1957
A7378A..... 58.45 Each



Light Switch

1955 1956 1957
Manual Transmission/Overdrive
B15520D..... 61.15 Each

Backup Light Switch Bracket and Cam

1955 1956 1957
B15540BK 2.70 Each

TRANSMISSION DIPSTICK AND TUBE

Transmission Oil Dipstick

1955 1956 1957
Ford-O-Matic Transmission
A7020C..... 29.05 Each

Transmission Dipstick Tube

1955 1956 1957
A7228H..... 28.04 Each

Transmission Dipstick Tube Bracket

1955 1956 1957
A7229A..... 6.20 Each

CLUTCH

Clutch Release Boot

1955 1956 1957
A7513C..... 25.47 Each

Equalizer Shaft Bushing

1955 1956 1957
2 Required
A7517A..... 4.96 Each

Clutch Arm Bracket

1955 1956 1957
A7522B..... 21.38 Each

Clutch / Parking Brake Spring

1955 1956 1957
A7523B..... 4.07 Each



Clutch Pedal Rod Seal

1955 1956 1957
A7527A 22.65 Each

Clutch Disc, 11 Inch, Rebuilt

1955 1956 1957
A7550A..... 52.50 Each

Clutch Hub and Bearing

1955 1956 1957
A7561A 25.05 Each

Clutch Lever Bracket Spring

1955 1956 1957
A7562A..... 3.34 Each

Clutch Pressure Plate, 11 Inch

1955 1956 1957
A7563B..... 148.63 Each

Clutch Pedal Assist Spring

1955 1956 1957
A7574A 7.05 Each

Clutch and Brake Pedal Bumper Stop

1955 1956 1957
A7583A..... 4.96 Each

Clutch Pilot Bearing

1955 1956 1957
A7600A..... 3.54 Each

OVERDRIVE

Overdrive Seal

1955 1956 1957
A6927A..... 1.25 Each

Overdrive Governor Cover

1955 1956 1957
A6941A..... 5.43 Each

Overdrive Wire Harness

1955 1956 1957
A7200A..... 25.05 Each

Overdrive Cable and Housing

1955 1956 1957
A7650A..... 66.73 Each

Overdrive Solenoid Seal

1955 1956 1957
A7693A..... 8.58 Each

Backup Light Switch

1955 1956 1957
Manual Transmission /
Overdrive
B15520D..... 61.15 Each

Backup Light Switch Bracket and Cam

1955 1956 1957
B15540BK 2.70 Each

TORQUE CONVERTER AND BELL HOUSING

Flex Plate

1955 1956 1957
Ford-O-Matic Transmission
A6375C..... 103.46 Each

Dust Shield

1955 1956 1957
A7053A..... 24.97 Each

Front Pump Seal

1955 1956 1957
Automatic Transmission
A7248A..... 8.74 Each

Transmission Torque Converter Hub Gasket

1955 1956 1957
Air Cooled Transmission
A7916A..... 4.88 Each

Torque Converter Gear, 148 Tooth

1955 1956 1957
A7950A..... 97.38 Each

Torque Converter Gasket

1955 1956 1957
A7963A..... 9.75 Each

Bell Housing Lower Cover

1956 1957
Water Cooled Transmission
A7980A..... 56.71 Each

SPEEDOMETER CABLE

Speedometer Cable

1957
Automatic Transmission
B17260D..... 32.50 Each

Speedometer Driven Gear, 19 Tooth

1957
Automatic Transmission
B17271I..... 23.30 Each

Speedometer Angle Drive

1955 1956 1957
B17279A 339.01 Each

Speedometer Cable O-Ring Seal

1955 1956 1957
B17298A 3.22 Each



TRANSMISSION MANUALS

Ford-O-Matic Transmission Manual

1955
DLT073 18.70 Each

Ford-O-Matic Transmission Manual

1956 1957
DLT074 18.70 Each

HARDWARE FOR THIS SECTION

Fitting

1955 1956 1957
Transmission Cooling Line to
Radiator
CSB359279 2.54 Each

Clip

1955 1956 1957
Transmission Cooling Line
Clip
CSB359280 9.39 Each

Transmission Brace to Frame

1955 1956 1957
DHK3014 4.00 Each

Transmission Mount to Frame

1955 1956 1957
DHK3015 5.46 Each

Transmission Mount

1955 1956 1957
DHK3016 2.67 Each

Transmission Governor Cover to Floor

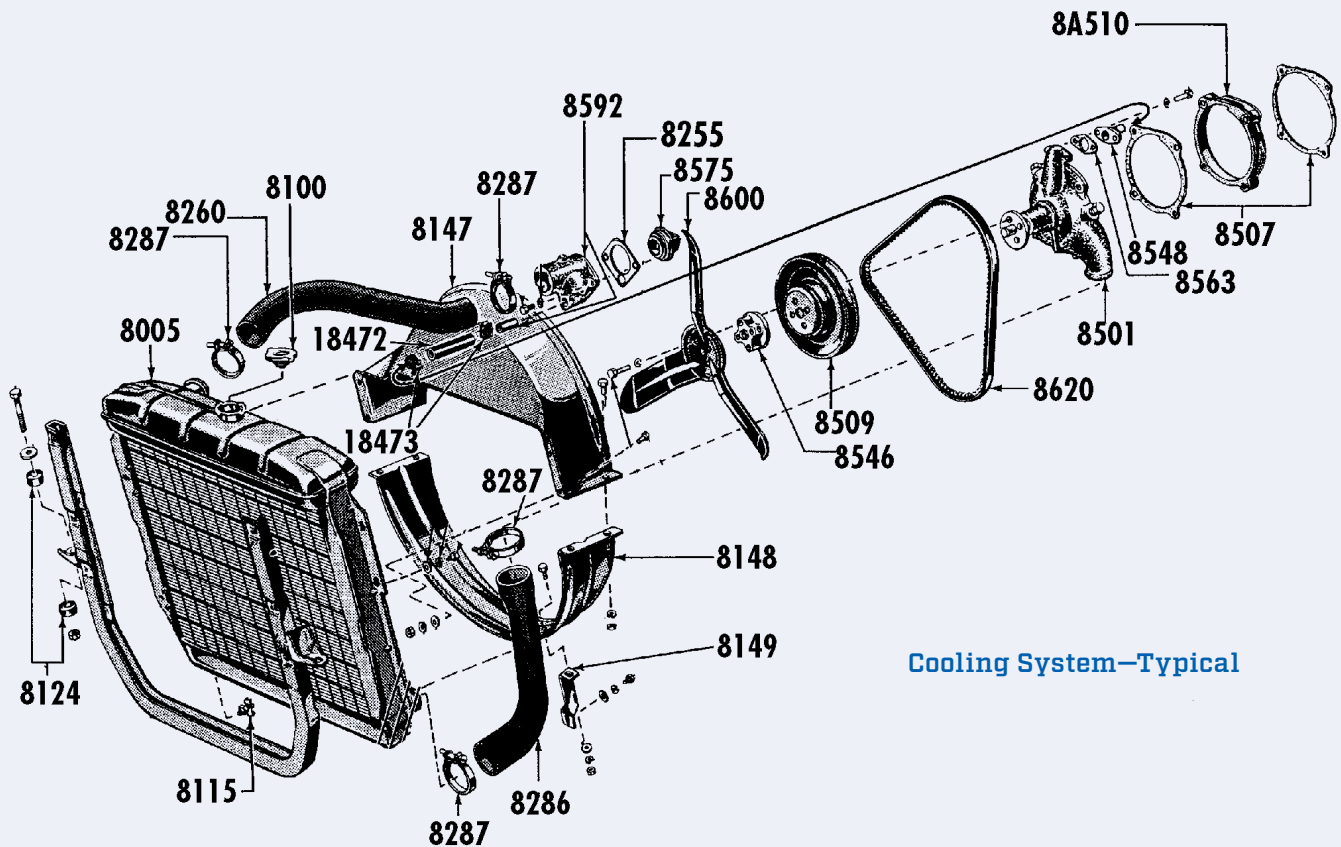
1955 1956 1957
DHK3022 4.94 Each

Fordomatic Pan to Case

1955 1956 1957
DHK3024 5.85 Each

Fordw-0-Matic Shifter Pointer Screw

1955 1956 1957
DHK6020 0.65 Each



Cooling System—Typical

TRANSMISSION COOLING LINES

Transmission Cooling Lines
1957
Late 1957
(With Expansion Hump)
A7032B..... 46.76 Each

Transmission Cooling Lines
1956 1957
to Early 1957
A7032C..... 54.49 Each

Save money
on your online
purchases! Visit
our website at
larrystbird.com
to learn how to get
a 10% discount.

RADIATORS

Radiator, High Efficiency, 4 Row
1955 1956 1957
A8005B 860.73 Each

Radiator, Heavy Duty, 4 Row
1955 1956 1957
A8005C 716.25 Each

Radiator, 3 Row
1955 1956 1957
A8005D 655.27 Each

Radiator, Optima, 4 Row
1955 1956 1957
A8005N 938.12 Each

Radiator Overflow Tube
1955 1956 1957
A8006A..... 36.01 Each

Radiator Drain Valve, 1/4" X 18 Pipe Thread
1955 1956 1957
A8115A 5.18 Each

Radiator Support Pad
1955 1956 1957
A8124C..... 3.92 Each

Lower Radiator Tank Bracket
1955 1956
Manual or Overdrive
Transmission, to Early 1956,
Air Cooled Transmission
A8149E 10.44 Each

Radiator Lower Deflector Inspection Plate
1955 1956 1957
A8311A 9.69 Each



A8005D



A8115A

RADIATOR CAPS

Radiator Cap, Silver
1955 1956 1957
A8100C..... 3.92 Each

Radiator Cap, Original Style
1955 1956 1957
A8100D..... 33.40 Each



A8100D

FAN SHROUD

Fan Shroud Kit
1956 1957
Original Style
A8146NK 204.04 Kit

Fan Shroud Kit
1955
Original Style
A8146OK 210.00 Kit

Fan Shroud Upper Panel
1955 1956 1957
A8147B 116.82 Each

Shroud Upper Panel Seal
1955 1956 1957
A8147C 3.95 Each

Fan Shroud Lower Panel
1955 1956 1957
A8148A 81.75 Each

Lower Shroud to Radiator Bracket
1955 1956 1957
A8149D 9.26 Each

RADIATOR GRILL AND MOULDINGS

Grill Moulding
1955 1956
Lower
A8156A 97.61 Each

Radiator Grill
1955 1956
A8200D 424.00 Each

Radiator Grill
1957
A8200L 424.00 Each

Radiator Grill Kit
1957
A8200NK 675.00 Kit

Radiator Grill Kit, Less Upper Moulding
1955 1956
Upper Moulding Not Included
A8200QK 613.00 Kit

Side Grill Moulding
1955 1956
Right
A8242F 33.95 Each

Side Grill Moulding
1957
Right
A8242G 42.25 Each

Side Grill Moulding
1957
Left
A8243A 42.25 Each

Side Grill Moulding
1955 1956
Left
A8243B 33.95 Each

Grille Upper Moulding Clip
1957
B16241B 1.84 Each

RADIATOR HOSES

Radiator Hose
1955 1956 1957
Upper
A8260I 34.13 Each

Radiator Hose
1955 1956 1957
Lower
A8286H 34.13 Each

Radiator Hose Clamp Set
1955 1956 1957
A8287EK 19.00 Each

GANO FILTER

Gano Filter, Medium, 1 1/2" to 1 3/4"
1955 1956 1957
A8288A 61.79 Each

The Gano Filter® is a full-flow filter designed to be installed in your Thunderbird's upper radiator hose. Once installed, the filter prevents rust scale, rubber from hoses or other foreign particles from entering your radiator. Its clear housing also allows you to monitor coolant levels, turbulence, bubbles or other situations that may be detrimental to your vehicle's operation. Easy to install!



WATER PUMP

Water Pump, New
1955 1956 1957
A8501B.....70.14 Each

Water Pump Baffle
1955 1956 1957
A8502A..... 18.95 Each

Water Pump to Spacer Gasket
1955 1956 1957
A8507D..... 1.63 Each

Water Pump Pulley, 1" Smaller Diameter
1955 1956 1957
A8509D 131.10 Each

Water Pump Pulley
1955 1956 1957
A8509E.....92.53 Each

Water Pump Spacer
1955 1956 1957
A8510A.....57.23 Each

Fan to Water Pump Spacer
1955 1956 1957
A8546A..... 16.28 Each

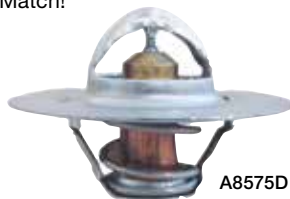
Water Bypass Tube
1955 1956 1957
A8548A..... 19.95 Each

Water Bypass Gasket
1955 1956 1957
A8563A..... 0.49 Each

Water Pump Heater Hose Elbow
1955 1956 1957
B18599D..... 16.70 Each

THERMOSTAT

Thermostat Gasket
Except 430
A8255F No Match! No Match!



A8575D

Thermostat, 160 Degrees
1955 1956 1957
A8575D.....7.77 Each

Thermostat, 180 Degrees
1955 1956 1957
A8575E.....11.20 Each

Thermostat Housing
1955 1956 1957
A8592E..... 46.68 Each

Thermostat Housing, Aluminum
1955 1956 1957
A8592F 108.55 Each

RADIATOR FANS

Electric Fan Kit, 12 Volt
1956 1957
A8600A..... 368.67 Each

Fan, 6 Blade, 17 Inch
1955 1956 1957
A8600E..... 89.99 Each

Fan Reinforcement Plate
1955 1956 1957
3 Blade Fan
A8601A..... 22.46 Each



A8600A

Kit includes; Thermostat, Wiring Harness, Installations Instructions. Fan Mounts in front of Radiator.

BELT

Belt
1955 1956
Power Steering, to Early 1956, Like Original Marked ECD-33558A
A8620D 24.97 Each

Belt
1957
Power Steering, Late 1957, Original
A8620J 24.97 Each

Belt
1956 1957
Fan, 4 Blade, Original
A8620P..... 24.98 Each

Belt

1956 1957
Power Steering, Like Original Marked ECJ-33558A
A8620Q 24.97 Each

Belt
1957
Fan, 4 Blade, Original, Late 1957
A8620S..... 24.98 Each

Belt
1955 1956
Fan, 3 Blade, Original
A8620U 24.98 Each

Belt
1955 1956 1957
Fan or Power Steering
A8620V..... 19.25 Each

HARDWARE FOR THIS SECTION

Fitting
1955 1956 1957
Transmission Cooling Line to Radiator
CSB359279 2.54 Each

Clip
1955 1956 1957
Transmission Cooling Line Clip
CSB359280 9.39 Each

Grille Area (109 Pieces)
1955 1956
DHK2000..... 15.99 Each

Upper Grille Moulding to Body
1955 1956
DHK2001..... 5.33 Each

Grille At Top to Body
1955 1956 1957
DHK2006..... 2.57 Each

Grille Side Mouldings to Body
1955 1956 1957
DHK2007..... 2.86 Each

Grille Area (101 Pieces)
1957
DHK2023..... 39.00 Each

Upper Grille Moulding to Body
1957
DHK2024..... 8.00 Each

Radiator to Frame
1955
DHK3000.....3.19 Each

Shroud Halves
1955
DHK3001..... 5.66 Each

Upper Shroud to Radiator
1955
DHK3002..... 4.52 Each

Radiator Support Bracket to Frame
1955 1956 1957
DHK3025..... 5.72 Each

Radiator Access Panel
1955 1956 1957
DHK3026..... 0.52 Each

Water Pump to Engine
1955 1956 1957
Manual Steering
DHK3027 4.00 Each

Water Pump to Engine
1955 1956 1957
Power Steering
DHK3028..... 4.39 Each

Water Pump Plug
1955 1956 1957
Manual Steering
DHK3029..... 1.24 Each

Water Tubes to Water Pump
1955 1956 1957
DHK3030.....2.11 Each

Fan to Water Pump
1955 1956 1957
DHK30312.18 Each

Radiator Frame to Body
1955 1956 1957
DHK30512.18 Each

Radiator to Frame
1956 1957
DHK3058..... 2.93 Each

Upper Shroud to Radiator
1956 1957
DHK3059.....4.13 Each

Shroud Halves and Bracket
1956 1957
DHK3060.....5.10 Each



A9030I

GAS CAPS

Gas Cap

1955
A9030I..... 12.68 Each

Gas Cap

1957
From Late 1957
A9030N..... 9.75 Each

Gas Cap

1956 1957
to Early 1957
A9030O..... 9.75 Each



A9030N



A9030O



A9080A



A9034F

GAS FILLER NECK PARTS

Gas Filler Neck Support Bracket

1957
A9034A..... 12.85 Each

Gas Filler Neck Bracket to Body

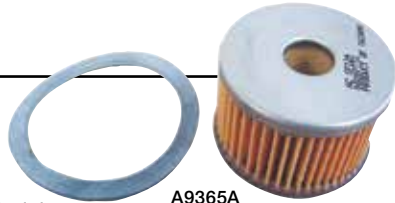
1957
A9034E..... 10.77 Each

Gas Filler Pipe O-Ring

1957
A9072A..... 2.76 Each

Gas Filler Neck Grommet

1955 1956
A9080A..... 11.38 Each



A9365A

FUEL FILTER

Fuel Filter

1955 1956 1957
1955/57 All Except E Model
and Supercharged, 1958/60
352
A9155B..... 29.23 Each

Fuel Filter Bracket

1955 1956 1957
1955/57 All, 1958/60 352
A9180BK..... 14.50 Each

Fuel Filter Gasket

1957
E Model
A9364B..... 4.12 Each

Fuel Pump Filter

1955 1956 1957
A9365A..... 5.43 Each

Fuel Pump Filter

1957
1962/66, 1957 For E-Model
Fuel Filter
A9365B..... 7.23 Each



A9155B

FUEL LINES

Fuel Line Kit, Stainless

1955
A9156AAK..... 139.00 Kit

Fuel Line Kit, Original Type

1955
A9156ABK..... 192.00 Kit

Fuel Line, Tank to Midpoint, Original Type

1956
A9156G..... 103.68 Each

Fuel Line Kit, Original Type

1957
A9156OK..... 224.00 Kit

Fuel Line Kit, Stainless

1956
A9156PK..... 145.00 Kit

Fuel Line, Midpoint to Front, Original Type

1955 1956 1957
A9156Q..... 66.27 Each

Fuel Line, Tank to Midpoint, Stainless

1957
A9156S..... 74.32 Each

Fuel Line, Tank to Midpoint, Original Type

1957
A9156T..... 119.73 Each

Fuel Line, Tank to Midpoint, Stainless

1956
A9156U..... 56.76 Each

Fuel Line Kit, Stainless

1957
A9156VK..... 159.00 Kit

Fuel Line, Tank to Midpoint, Stainless

1955
A9156W..... 51.70 Each

Fuel Line Kit, Original Type

1956
A9156XK..... 205.00 Kit

Fuel Line, Tank to Midpoint, Original Type

1955
A9156Y..... 87.52 Each

Fuel Line, Midpoint to Front, Stainless

1955
A9156Z..... 50.08 Each

ENGINE FUEL AND VACUUM LINE SETS

Vacuum Line Clips, Pair

1955 1956 1957
At Intake Manifold
A9156R..... 6.34 Pair

Engine Fuel / Vacuum Line Set, Original

1955
OEM Steel
A9160A..... 78.00 Set

Engine Fuel / Vacuum Line Set, Stainless

1957
Single Carburetor, Stainless
A9160B..... 68.12 Set

Engine Fuel / Vacuum Line Set, Dual Carburetor, Original Type

1957
Dual Carburetor, OEM Steel
A9160D..... 58.45 Set

Engine Fuel / Vacuum Line Set, Stainless

1957
Dual Carburetor, Stainless
A9160E..... 77.66 Set



A9156R

Engine Fuel / Vacuum Line Set, Original Type

1957
Single Carburetor, OEM Steel
A9160F..... 84.47 Set

Engine Fuel / Vacuum Line Set, Stainless

1956
Stainless
A9160G..... 60.77 Set

Engine Fuel / Vacuum Line Set, Stainless

1955
Stainless
A9160H..... 47.09 Set

Engine Fuel / Vacuum Line Set, Original Type

1956
OEM Steel
A9160I..... 106.05 Set

Booster Vacuum Line Clip

1955 1956 1957
A9283A..... 2.34 Each



AIR CLEANER

Air Cleaner Wing Nut

1955 1956
A9600C 3.51 Each

Air Cleaner Cork

1955 1956 1957
A9600D 3.58 Each

Air Cleaner Wing Nut

1955 1956 1957
A9600E 4.23 Each

Air Cleaner, T-Bird Type

1957
A9600F 489.99 Each

Air Cleaner Filter

1957
A9601A 19.04 Each

Air Cleaner Element

1957
Dual Carburetor
A9601H 69.31 Each

Air Cleaner Overhaul Kit

1957
A9602AK 25.00 Kit

Air Cleaner Overhaul Kit

1955 1956
A9602BK 32.00 Kit

Air Cleaner Top

1957
A9605A 119.41 Each

Air Cleaner Lid Cover

1955 1956
A9605B 167.00 Each

Air Cleaner to Carburetor Gasket

1955 1956 1957
A9654A 2.44 Each

Air Cleaner to Carburetor Stud

1955
A9659A 10.86 Each

Air Cleaner to Carburetor Stud

1956
A9659B 12.86 Each

Air Cleaner Top Gasket

1955 1956
A9673D 1.75 Each

ACCELERATOR LINKAGE

Firewall Bellcrank

1956 1957
Automatic Transmission
A9725C 163.66 Each



Bellcrank Arm

1957
E Model, Manual Transmission
A9726A 25.05 Each

Bellcrank Arm

1957
E Model, Automatic Transmission
A9726B 16.70 Each

Gas Pedal Rod

1955 1956 1957
A9727A 8.72 Each

Gas Pedal Rod Seal

1955 1956 1957
A9734A 0.85 Each

Accelerator Pedal

1955 1956 1957
1955-1960. Can Be Used As Replacement Type For 1964-1966
A9735I 14.99 Each

Throttle Kick Down Spring

1955 1956 1957
A9736A 1.43 Each

Throttle Return Spring

1956 1957
1956 Automatic Transmission, 1957 All
A9737A 6.68 Each

Throttle Return Spring

1955 1956
1955 All, 1956 Manual Transmission
A9737B 1.11 Each

Carburetor To Bellcrank Rod And Nut

1956 1957
A9747CK 13.40 Each

Accelerator Rod

1957
Overdrive, Manual Transmission
A9747E 141.95 Each

Accelerator Rod

1955
3 Speed Manual Transmission
A9772A 66.80 Each

Accelerator Rod

1955
Ford-O-Matic And Overdrive, Spring Loaded
A9772C 91.85 Each

Accelerator Rod To Transmission Bell Crank

1955
A9784A 70.98 Each

Accelerator Rod To Transmission Bell Crank

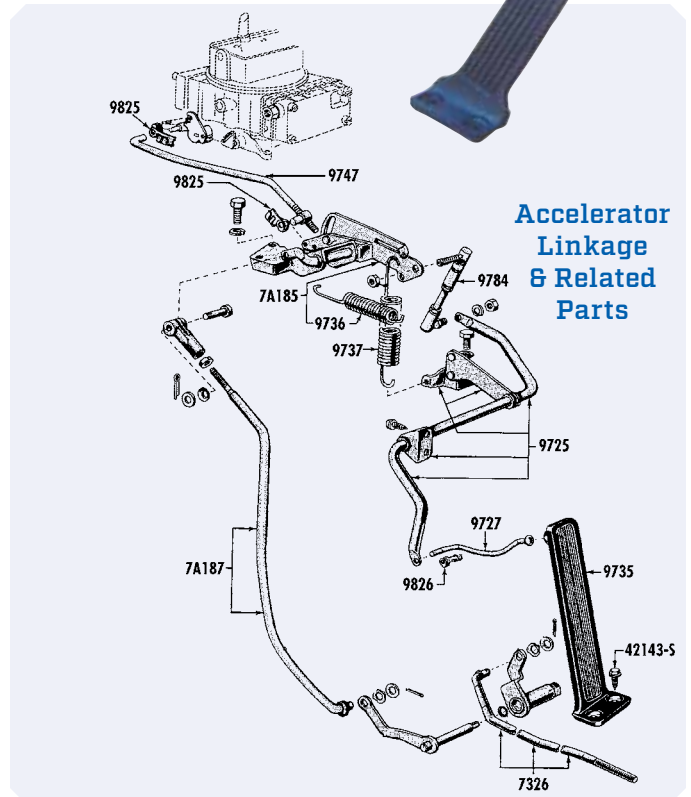
1956
A9784B 51.77 Each

Accelerator Rod To Transmission Bell Crank

1957
A9784C 58.45 Each

Accelerator Rod Clip

1955 1956 1957
At Gas Pedal And 1957 At Carburetor
A9825B 0.55 Each



Accelerator Linkage & Related Parts



A9890A

CHOKE

Choke Intake Deflector

1957
A9492A..... 4.88 Each

Choke Housing Rod

1955
A9599A..... 15.90 Each

Auto Choke Outlet Tube

1956
Outlet
A9819H..... 4.68 Each

Auto Choke Outlet Tube

1957
4V Outlet
A9819I 4.68 Each

Auto Choke Inlet Tube

1955
Inlet
A9820A..... 10.44 Each

Auto Choke Inlet Tube

1956
Inlet
A9820B..... 22.71 Each

Choke Cover

1957
A9848A..... 24.38 Each

Choke Cover

1955 1956
A9848B 49.98 Each

Choke Housing Gasket

1955
A9853D 0.98 Each

Choke Shield

1955 1956 1957
1956 All, 1957 Dual Carburetor
A9861A..... 9.50 Each

Choke Manifold Nut

1955
A9864A..... 13.98 Each

Choke Tube Insulator

1957
Dual Carburetor
A9865B 23.22 Pair

Choke Tube Insulator

1957
2V
A9865C 7.26 Each

Choke Tube Insulator

1957
4V
A9865E..... 4.93 Each

Choke Tube Insulator

1956
A9865F 4.59 Each

Choke Cover Gasket

1955 1956
A9871A 1.59 Each

Choke Cover Gasket

1957
A9871B 1.92 Each

Choke Inlet Elbow

1956 1957
Except Supercharged
A9877A 10.44 Each

Choke Outlet Tube Elbow

1956 1957
A9884A..... 11.11 Each

Choke Heat Tube

1957
2 Barrel
A9890A..... 14.95 Each

Choke Heat Tube

1956 1957
A9890B 15.03 Each

Choke Heat Tube

1955
A9890C 10.02 Each

Choke Heat Tube/Insulator Kit

1956
A9891A..... 75.15 Set

Choke Heat Tube/Insulator Kit, Stainless

1956
A9891B..... 81.33 Set

Choke Heat Tube/Insulator Kit, Stainless

1957
A9891D..... 72.65 Set

CARBURETOR MANUALS

Carburetor Manual, 1955

1955
DLT060..... 18.70 Each

Carburetor Manual, 1956

Supplement
1956
DLT061 18.70 Each

Carburetor Manual, 1957

1957
DLT062..... 18.70 Each



DLT061

We carry a large inventory of concours-quality parts. Give us a call if you can't find what you need. Our knowledgeable parts specialists will be happy to help.

HARDWARE FOR THIS SECTION

Screw, 14 X 3/4, Self Taping

1955 1956 1957
Gas Pedal
CSA42143 0.10 Each

Fuel Line Fitting

1955 1956 1957
Mid Point
CSA87213 2.71 Each

Fuel Line Fitting

1955 1956 1957
Fuel Pump, Fuel Filter
CSA87972 2.37 Each

Gas Line Clip

1955 1956 1957
4 Required
CSA95806 5.51 Each

Drain Plug

1955 1956 1957
Fuel Tank
CSB353055..... 1.07 Each

Elbow Fitting

1955 1956 1957
Flex Line To Fuel Pump
CSB357466 2.69 Each

Carburetor To Manifold

1955 1956
DHK3005..... 1.66 Each

Accelerator Bellcrank To Manifold

1955 1956 1957
DHK3023..... 0.85 Each

Fuel Pump To Timing Cover

1955 1956 1957
DHK3032..... 1.11 Each

Intake Manifold To Engine

1955 1956 1957
DHK3033..... 5.23 Each

Intake Manifold Carburetor Studs

1955 1956 1957
DHK3035..... 3.64 Each

Accelerator Steady Bracket To Block

1955 1956 1957
DHK3036..... 0.85 Each

Carburetor To Manifold

1957
DHK3066..... 1.98 Each

Accelerator Pedal And Bracket To Body

1955 1956 1957
DHK4007..... 1.24 Each

Fuel Sending Unit To Tank

1955 1956
DHK9004..... 1.17 Each

Gas Neck Strap To Body Bracket

1957
DHK9017 1.24 Each

Gas Neck Bracket To Body

1957
DHK9018..... 0.52 Each

WINDSHIELD

Windshield Pillar Weatherstrip

1955 1956 1957
Right
B02626J 17.95 Each

Windshield Pillar Weatherstrip

1955 1956 1957
Left
B02627C 17.95 Each

Windshield Outer Moulding Joint Cover

1955
B03094A 3.22 Each

Windshield Outer Moulding Joint Cover

1956 1957
B03094B 6.10 Each

Windshield

1955 1956 1957
B03100T 472.61 Each

Windshield Weatherstrip

1955 1956 1957
B03110P 112.03 Each

Windshield Moulding Clip

1955 1956 1957
B03138A 4.68 Each

Windshield Trim Retainer

1955 1956 1957
Upper
B03178A 23.31 Pair

Windshield Moulding Clip

1955 1956 1957
Upper
B03180A 4.07 Each

Front Top Locating Pin

1955 1956 1957
B03458A 4.81 Each

Top Pin Receiver

1955 1956 1957
Front
B03474A 51.69 Each

Moulding Center Joint Cover

1955 1956 1957
Inside Lower
B03654A 29.09 Each

Front Top Clamp Cup Above Windshield

1955 1956 1957
B50530A 16.53 Each

WINDOW MOULDING REMOVAL TOOL

Window Moulding Removal Tool

1955 1956 1957
DTL06 14.29 Each

WINDWINGS

Windwing Kit, Clear Glass, Pair

1956 1957
B03200AK 195.00 Kit

Windwing Kit, Tinted Glass, Pair

1956 1957
B03200BK 195.00 Kit

Windwing Glass Seal

1956 1957
B03227A 3.84 Each

Windwing Assembly, Clear

1956 1957
Right
B03228AK 68.75 Each

Windwing Assembly, Tinted

1956 1957
Right
B03228BK 68.75 Each

Windwing Assembly, Clear

1956 1957
Left
B03229AK 68.75 Each

Windwing Assembly, Tinted

1956 1957
Left
B03229BK 68.75 Each

Windwing Hinge

1956 1957
Upper Right
B03230A 17.88 Each

Windwing Hinge

1956 1957
Upper Left
B03231A 17.88 Each

Windwing Hinge

1956 1957
Lower Right
B03232A 23.30 Each

Windwing Hinge

1956 1957
Lower Left
B03233A 19.96 Each

Windwing Hinge Bushing

1956 1957
B03234A 2.16 Each

Windwing Bushing And Screw Set

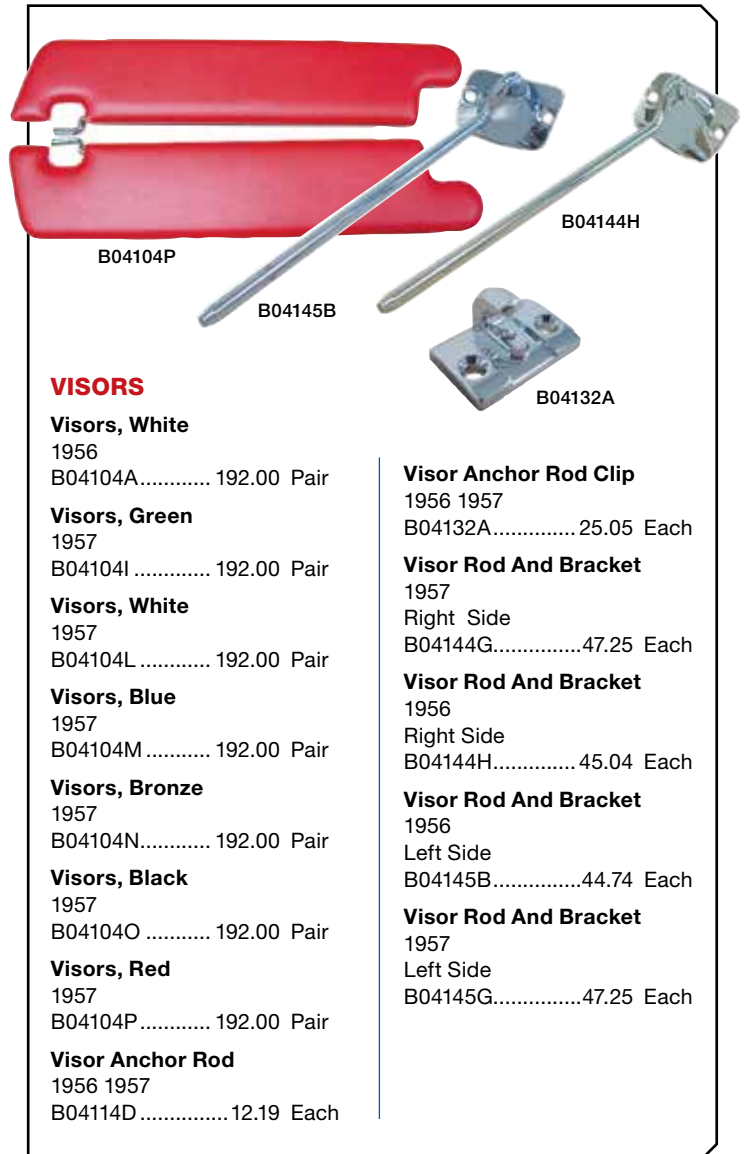
1956 1957
B03234BK 4.50 Each

Windwing Glass, Clear

1956 1957
B03238A 25.72 Each

Windwing Glass, Tinted

1956 1957
B03238B 25.72 Each



VISORS

Visors, White

1956
B04104A 192.00 Pair

Visors, Green

1957
B04104I 192.00 Pair

Visors, White

1957
B04104L 192.00 Pair

Visors, Blue

1957
B04104M 192.00 Pair

Visors, Bronze

1957
B04104N 192.00 Pair

Visors, Black

1957
B04104O 192.00 Pair

Visors, Red

1957
B04104P 192.00 Pair

Visor Anchor Rod

1956 1957
B04114D 12.19 Each

Visor Anchor Rod Clip

1956 1957
B04132A 25.05 Each

Visor Rod And Bracket

1957
Right Side
B04144G 47.25 Each

Visor Rod And Bracket

1956
Right Side
B04144H 45.04 Each

Visor Rod And Bracket

1956
Left Side
B04145B 44.74 Each

Visor Rod And Bracket

1957
Left Side
B04145G 47.25 Each

HARDWARE FOR THIS SECTION

Outside Weatherstrip

Mouldings To Frame
1955 1956 1957
DHK4010 2.11 Each

Windshield Garnish Mouldng

1955 1956 1957
DHK4011 5.23 Each

Visor Arm And Clip To

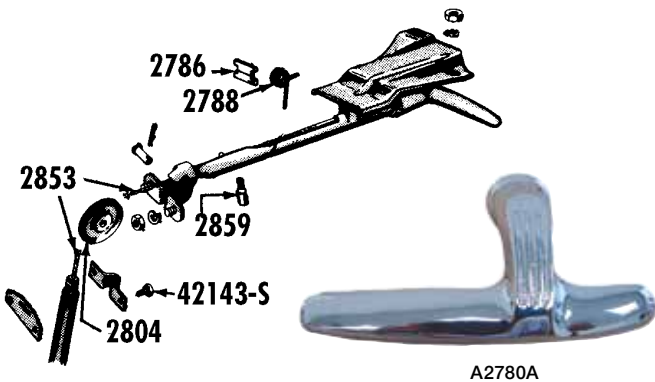
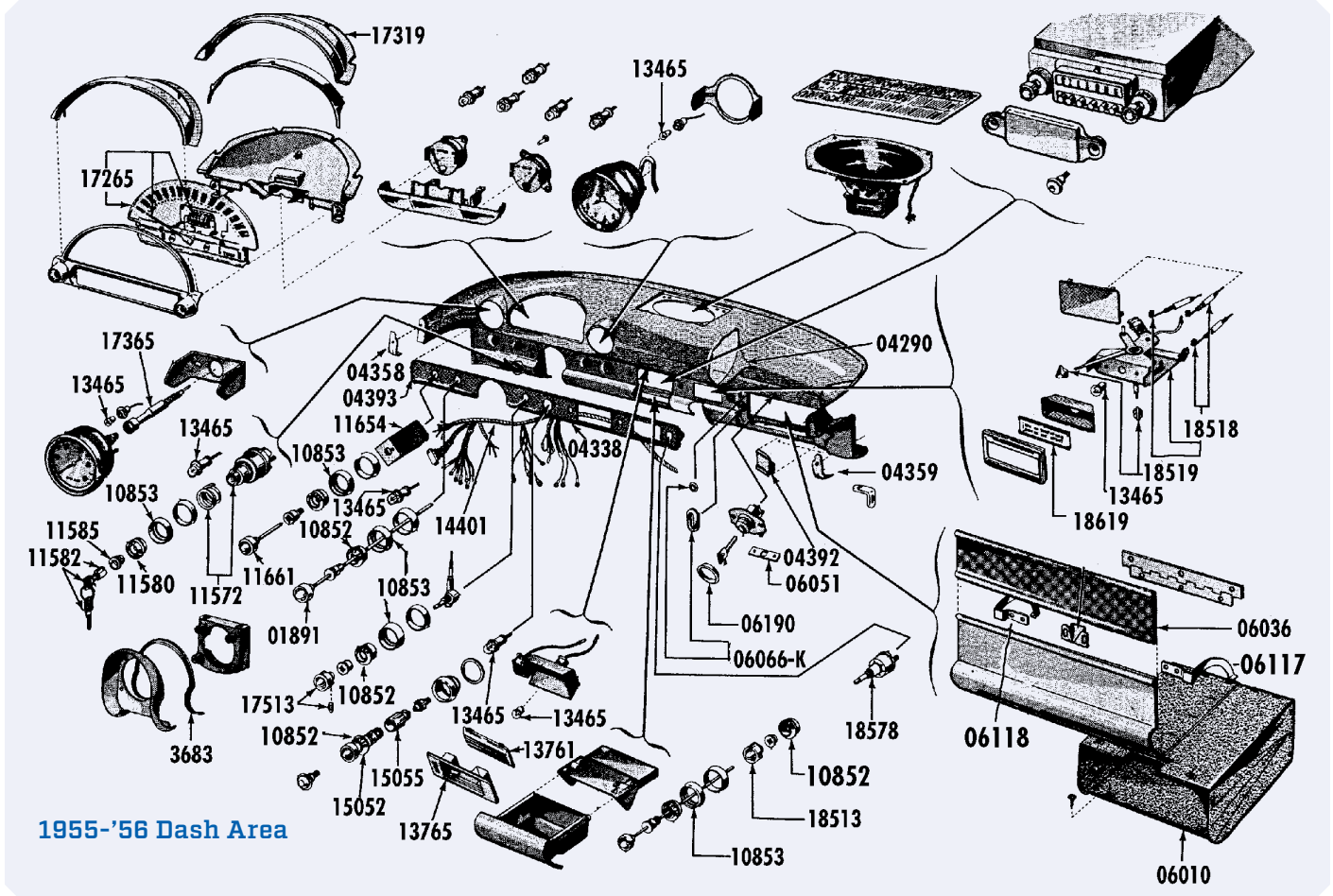
Header
1956 1957
DHK4032 2.11 Each

Pillar Weatherstrip To Pillar

1955 1956 1957
DHK5007 2.11 Each

Lower Windwing Hinge To

Frame
1956 1957
DHK5027 3.90 Each



PARKING BRAKE

- Parking Brake Handle With Pin**
1955 1956 1957
A2780A..... 58.37 Each
- Parking Brake Ratchet Pawl**
1955 1956 1957
A2786A..... 9.69 Each
- Parking Brake Ratchet Spring**
1955 1956 1957
A2788A..... 3.01 Each

- Parking Brake Cable Pulley**
1955 1956 1957
A2804A..... 16.70 Each
- Parking Brake Pulley Cover Clip**
1955 1956 1957
A2805A..... 2.93 Each
- Parking Brake Lever Pin**
1955 1956 1957
A2859A..... 3.14 Each



B01605H



B01605A

FIREWALL COVER

- Firewall Grommet Set**
1955 1956 1957
B01605A..... 11.80 Set
- Firewall Cover Fastener Set, Exact Reproduction**
1955 1956 1957
B01605F..... 38.48 Each
- Firewall Cover Fastener Set**
1955 1956 1957
B01605GK..... 5.50 Each
- Firewall Cover With Insulation**
1955 1956 1957
B01605H..... 63.00 Each

- Firewall Cover Pin, Plastic**
1955 1956 1957
B01670A..... 0.52 Each
- Firewall Cover Pin, Metal**
1955 1956 1957
B01670B..... 35.00 Each
- Speedometer Cable Grommet**
1955 1956 1957
Ford-O-Matic Transmission
B01694A..... 1.47 Each
- Overdrive Cable Grommet**
1955 1956 1957
B01694B..... 7.45 Each

FRESH AIR HEATER SYSTEM

- Ventilation Register**
1955 1956 1957
B01820A..... 12.97 Each
- Vent Control**
1955 1956 1957
Right
B01890A..... 49.75 Each
- Vent Control**
1955 1956 1957
Left
B01891A..... 49.73 Each
- Dash Bezel, Right Air**
1955 1956 1957
B10852A..... 18.77 Each



B01820A

- Dash Bezel, Left Air**
1955 1956 1957
B10852E..... 18.70 Each
- Vent Control Cable**
1955 1956 1957
Right Hand Side
B18518D..... 28.31 Each

COWL SIDE VENT

- Fender Vent Box, Pair**
1956 1957
B02104A..... 283.90 Pair
- Vent Control Rod**
1956 1957
Right
B02128A..... 8.45 Each
- Vent Control Rod**
1956 1957
Left
B02129A..... 8.45 Each
- Vent Lever Knob**
1956 1957
B02145A..... 13.65 Each
- Vent Control Spring**
1956 1957
B02154A..... 14.45 Each

- Vent Door Seal**
1956 1957
Outer
B02158A..... 7.96 Each
- Vent Door Seal**
1956 1957
Inner
B02162B..... 1.95 Each
- Side Vent Control Rod Clip**
1956 1957
Right
B02164A..... 0.77 Each
- Side Vent Control Rod Clip**
1956 1957
Left
B02165A..... 0.77 Each

DASH

- Dash Retainer Strap Set**
1957
B04291A..... 12.44 Each
- Dash End Plate**
1955 1956 1957
Right
B04358A 18.72 Each
- Dash End Plate**
1955 1956 1957
Left
B04359A..... 18.72 Each

DASH COVERS

- Dash Cover, Black**
1955 1956
UDC5501..... 66.00 Each

- Dash Cover, Green**
1955
UDC5502..... 66.00 Each
- Dash Cover, Red**
1955
UDC5503..... 66.00 Each
- Dash Cover, Buckskin**
1956
UDC5601..... 66.00 Each
- Dash Cover, Green**
1956
UDC5602 66.00 Each
- Dash Cover, Peacock**
1956
UDC5603 66.00 Each
- Dash Cover, Red**
1956
UDC5604 66.00 Each

Dash Cover, Black Leather

- 1955 1956
UDCL5501..... 235.62 Each

Dash Cover, Green Leather

- 1955
UDCL5502 235.62 Each

Dash Cover, Red Leather

- 1955 1956
UDCL5503 235.62 Each

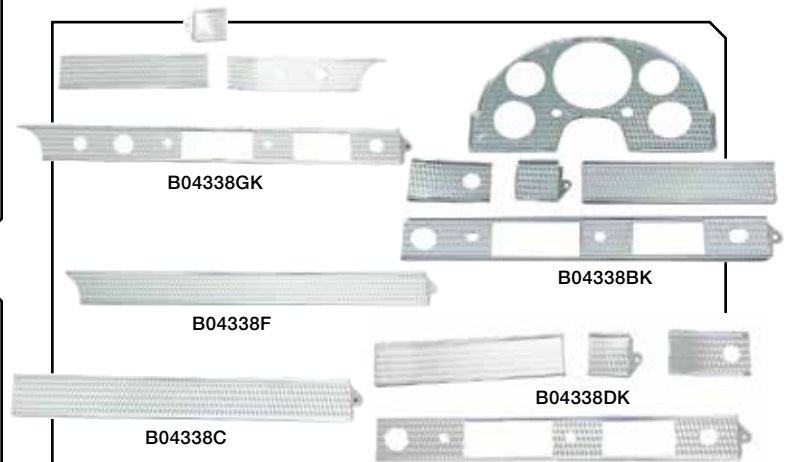
DASH MATS

Dash Mat, Black

- 1957
UDM5701 58.20 Each

Dash Mat, Blue

- 1957
UDM5702 58.20 Each



B04338GK

B04338F

B04338C

B04338BK

B04338DK

DASH ALUMINUM TRIM 1955 AND 1956

Dash Aluminum Panel Set

- 1955 1956
B04338GK..... 330.00 Each

Dash Aluminum Panel, Plain (No Cutouts)

- 1955 1956
Center
B04338F..... 110.00 Each

Dash Aluminum Panel

- 1955 1956
Center
B04338I..... 110.00 Each

Dash Aluminum End Panel

- 1955 1956 1957
Right
B04392A 55.00 Each

Dash Aluminum End Panel

- 1955 1956
Left
B04393B 55.00 Each

Dash Aluminum Panel

- 1955 1956 1957
Glove Box
B06036A 110.00 Each

1957

Dash Aluminum Panel Set, 5 Piece

- 1957
B04338BK..... 450.00 Each

Dash Aluminum Panel Set, 4 Piece, Less Instrument Cluster Face Plate

- 1957
B04338DK..... 330.00 Each

Dash Aluminum Panel, Plain (No Cutouts)

- 1957
Center
B04338C 110.00 Each

Dash Aluminum Panel

- 1957
Center
B04338E..... 110.00 Each

Dash Aluminum End Panel

- 1955 1956 1957
Right
B04392A 55.00 Each

Dash Aluminum End Panel

- 1957
Left
B04393A 55.00 Each

Dash Aluminum Panel

- 1957
Instrument cluster
B04438A 125.00 Each

Dash Aluminum Panel

- 1955 1956 1957
Glove Box
B06036A 110.00 Each

DASH EMBLEMS

V8 Emblem

1955 1956
B04407B17.54 Each



Dash Emblem

1955 1956
B04460B27.99 Each

B06010H

B06064B

B06066AK

B06118A

B06151A

B06190A

GLOVE BOX

Glove Box
1955 1956 1957
B06010H 25.97 Each

Glove Box Door Catch
1955 1956 1957
B06064B 9.94 Each

Glove Box Grommet And Bumper Set
1955 1956 1957
B06066AK 1.10 Each

Glove Box Door Arm
1955 1956 1957
Right
B06117A7.01 Each

Glove Box Door Arm
1955 1956 1957
Left
B06118A7.01 Each

Glove Box Latch Guide
1955 1956 1957
B06151A 5.34 Each

Glove Box Button Bezel
1955 1956 1957
B06190A 12.02 Each



DASH BEZELS

Dash Bezel Kit

1955 1956 1957
B10852FK 199.00 Kit

Dash Knob Bezel, Chrome

1955 1956 1957
B10853B 10.02 Each

Chrome Dash Bezel Seal

1955 1956 1957
B10868B 1.84 Each

Dash Bezel Removal Tool

1955 1956 1957
DTL09 8.50 Each



IGNITION

Ignition Switch

1955 1956 1957
B11572C 25.05 Each

Ignition Switch Dash Bezel

1955 1956 1957
B11580D 20.88 Each

Ignition Cylinder And Key

1955 1956 1957
B11582C 11.99 Each

Ignition Bezel Retainer

1955 1956 1957
B11585A 15.11 Each

Door And Ignition Cylinder Lock Kit, Complete

1955 1956 1957
B22050AK 67.00 Each

Door And Ignition Lock Cylinder Set

1955 1956 1957
B22050G 44.92 Each

Door And Ignition Key Blanks

1955 1956 1957
B22051D 3.97 Each

Key Blank Set

1955 1956 1957
B22051FK 7.90 Each



HEADLIGHT SWITCH

Dash Bezel, Lights

1955 1956 1957
B10852P 18.72 Each

Headlight Switch Nut

1955 1956
B11650D 17.07 Each

Headlight Switch Nut

1957
B11650E 20.46 Each

Headlight Switch, 12 Volt

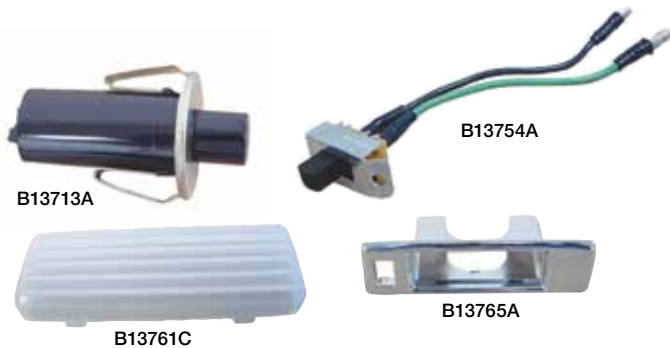
1956 1957
B11654G 59.95 Each

Headlight Switch Knob And Shaft

1957
B11661B 23.45 Each

Headlight Switch Knob And Shaft

1955 1956
B11661C 23.45 Each



MAP LIGHT

Door Jamb Courtesy Lamp Switch

1955 1956 1957
On Door Post
B13713A 4.71 Each

Map Light Switch

1955 1956 1957
On Dash
B13754A 11.24 Each

Map Light Lens

1955 1956 1957
B13761C 14.63 Each

Map Light Housing

1955 1956 1957
B13765A 24.38 Each

Map Light Bezel Kit

1955 1956 1957
B13765BK 59.00 Kit



B10852U



B15052C

CIGAR LIGHTER

Dash Bezel, Lighter

1955 1956 1957
B10852U 18.72 Each

Lighter With Socket

1956 1957
12 Volt
B15052C 50.27 Each

Lighter Knob And Element, Rebuilt

1955
B15052D 58.45 Each

Lighter Element, 12 Volt

1956 1957
B15054C 18.24 Each

Lighter Socket

1955 1956 1957
B15055B 7.16 Each

Lighter Knob And Shaft

1955 1956 1957
B15056B 23.31 Each

Cigar Lighter Chrome Bezel

1955 1956 1957
B15059A 24.63 Each

HOOD RELEASE

Hood Release Cable Clamp

1955 1956 1957
B16877A 5.90 Each

Hood Cable Firewall Bracket

1955 1956 1957
B16907A 15.38 Each

Hood Pull Cable Kit

1957
With Black Dash Bracket
B16916AK 79.00 Kit

Hood Pull Cable Kit

1955 1956
With Chrome Dash Bracket
B16916BK 90.00 Kit

Hood Pull Handle And Cable

1955 1956 1957
B16916E 45.00 Each

Hood Release Cable Bracket

1957
B16930A 9.95 Each

Hood Release Cable Bracket

1955 1956
B16930B 20.91 Each

WASHER / WIPER SYSTEM

Dash Bezel, Wiper

1955 1956 1957
B10852N 18.72 Each

Wiper Switch Nut

1955 1956
1955/57 Heater Switch,
1955/56 Wiper
B13753A 15.13 Each



B10852N

Wiper Switch Nut

1957
B17512D 15.13 Each

Radio Or Wiper Knob, For D-Shaft

1955 1956 1957
B18817C 17.47 Each



B18549AK

B10852V

18550A

B18574A

B18578C

HEATER / DEFROSTER CONTROL

Dash Bezel, Heater

1955 1956 1957
B10852V 18.72 Each

Wiper / Heater Switch Nut

1955 1956
1955/57 Heater Switch,
1955/56 Wiper
B13753A 15.13 Each

Heater Switch Knob

1955 1956 1957
B18513B 15.00 Each

Temperature Control Cable

1955 1956 1957
B18518L 16.62 Each

Heater Control Knob

1956 1957
B18519B 12.78 Each

Heater/Defroster Control Knob

1955
B18519H 12.78 Each

Heater/Defroster Control Face Housing

1955 1956 1957
B18521A 33.40 Each

Heater Cable Clip

1955 1956 1957
B18548A 1.87 Each

Defroster Control Cable

1955 1956 1957
B18548B 16.62 Each

Heater Face Kit

1955
B18549AK 114.00 Kit

Heater Face Kit

1956 1957
B18549BK 114.00 Kit

Heater Face Clip

1955 1956 1957
B18549C 10.10 Each

Heater Control Bezel

1955 1956 1957
B18550A 44.25 Each

Defroster Hose, 2 1/2 Inch ID

1955 1956 1957
B18556B 28.95 Each

Defroster Hose, Short

1955 1956 1957
B18556E 6.01 Each

Heater Lower Control Arm

1955 1956 1957
Lower
B18574A 17.03 Each

Heater Upper Control Arm

1955 1956 1957
Upper
B18575A 14.01 Each

Heater Motor Switch

1955 1956 1957
B18578C 29.95 Each

Heater Control Face

1955 1956 1957
B18619A 13.50 Each

RADIO

Radio Shaft Nut

1955 1956 1957
B18810A 1.59 Each

Radio Knob, For Split Shaft

1955 1956 1957
B18817A 17.48 Each

Radio Or Wiper Knob, For D-Shaft

1955 1956 1957
B18817C 17.47 Each

Radio Knob Bezel

1955 1956 1957
B18830A 11.61 Each



DASHBOARD PLUG & CHUG

Dashboard Plug & Chug, Black

1955 1956
DAC1955BK 75.32 Each

Dashboard Plug & Chug, Dark Green

1955
DAC1955DKGN 75.32 Each

Dashboard Plug & Chug, Light Green

1955
DAC1955LTGN 75.32 Each

Dashboard Plug & Chug, Red

1955
DAC1955RD 75.32 Each

Dashboard Plug & Chug, White

1955 1956
DAC1955WT 75.32 Each

Dashboard Plug & Chug, Yellow

1955
DAC1955YL 75.32 Each

Dashboard Plug & Chug, Buckskin

1956
DAC1956BS 75.32 Each

Dashboard Plug & Chug, Green

1956
DAC1956GN 75.32 Each

Dashboard Plug & Chug, Peacock

1956
DAC1956PK 75.32 Each

Dashboard Plug & Chug, Red

1956
DAC1956RD 88.00 Each

Dashboard Plug & Chug, Black

1957
DAC1957BK 75.32 Each

Dashboard Plug & Chug, Bronze

1957
DAC1957BZ 75.32 Each

Dashboard Plug & Chug, Dark Blue

1957
DAC1957DKBU 75.32 Each

Dashboard Plug & Chug, Dark Green

1957
DAC1957DKGN 75.32 Each

Dashboard Plug & Chug, Light Blue

1957
DAC1957LTBU 75.32 Each

Dashboard Plug & Chug, Light Green

1957
DAC1957LTGN 75.32 Each

Dashboard Plug & Chug, Red

1957
DAC1957RD 88.00 Each

Dashboard Plug & Chug, White

1957
DAC1957WT 75.32 Each



- Full-Length Design
- Two King-Size Drink Holders
- Large Storage Compartment
- Installs in Seconds..
Removes in Seconds



WING RIDER CONSOLE

Wing Rider Console, Black

1955 1956
DAC2055BK 295.00 Each

Wing Rider Console, Light Green

1955
DAC2055GN 295.00 Each

Wing Rider Console, Red

1955
DAC2055RD 295.00 Each

Wing Rider Console, Buckskin

1956
DAC2056BS 295.00 Each

Wing Rider Console, Green

1956
DAC2056GN 295.00 Each

Wing Rider Console, Peacock

1956
DAC2056PK 295.00 Each

Wing Rider Console, Red

1956
DAC2056RD 295.00 Each

Wing Rider Console, Black

1957
DAC2057BK 295.00 Each

Wing Rider Console, Dark Blue

1957
DAC2057BU 295.00 Each

Wing Rider Console, Bronze

1957
DAC2057BZ 295.00 Each

Wing Rider Console, Dark Green

1957
DAC2057GN 295.00 Each

Wing Rider Console, Red

1957
DAC2057RD 295.00 Each

Wing Rider Console, White

1957
DAC2057WT 295.00 Each

Give us a call if you can't find the parts you need. Our knowledgeable parts specialists will be happy to help!

KICK PANELS

Kick Panel Retainers, Pair

1955 1956 1957
B02354A 140.28 Pair

Kick Panels, White

1955
UKP5501 110.94 Pair

Kick Panels, Yellow

1955
UKP5502 110.94 Pair

Kick Panels, White

1956
UKP5601 110.94 Pair

Kick Panels, Blue

1957
UKP5701 132.00 Pair

Kick Panels, Bronze

1957
UKP5702 132.00 Pair



UKP5702

Kick Panels, Green

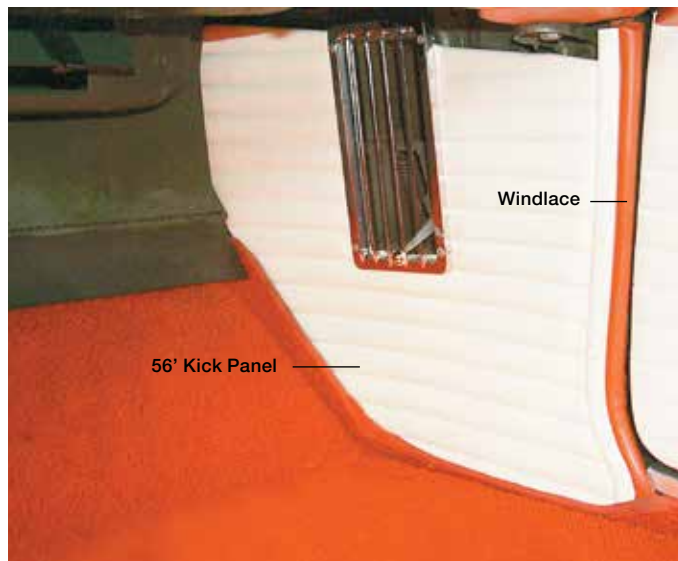
1957
UKP5703 132.00 Pair

Kick Panels, Red

1957
UKP5704 132.00 Pair

Kick Panels, White

1957
UKP5705 132.00 Pair



Windlace

56' Kick Panel

HARDWARE FOR THIS SECTION

Grommet

1955 1956 1957
Tachometer Cable At Firewall
CSB352962 2.44 Each

Grommet

1955 1956 1957
Vent Cable At Firewall
CSB353626 2.93 Each

Bumper Set

1957
Gas Door
CSB357170BK 0.98 Pair

Grommet

1955 1956 1957
Washer Hose At Firewall
CSB373195 0.49 Each

Hood Release Cable Retainer To Body

1955 1956 1957
DHK2019 1.72 Each

Hood Release Cable Bracket To Dash

1955 1956 1957
DHK2021 1.33 Each

Fordomatic Brake Pedal To Arm

1955 1956 1957
DHK4000 1.17 Each

Brake Pedal Bracket To Body

1955 1956 1957
DHK4001 4.65 Each

Emergency Brake Assembly To Firewall

1955 1956 1957
DHK4002 0.65 Each

Emergency Brake Cable To Firewall

1955 1956 1957
DHK4003 0.52 Each

Steering Column Trim To Retainer

1955 1956 1957
DHK4004 1.46 Each

Steering Column Seal To Firewall

1955 1956 1957
DHK4005 2.37 Each

Dash Trim To Dash

1955 1956 1957
DHK4006 0.72 Each

Accelerator Pedal And Bracket To Body

1955 1956 1957
DHK4007 1.24 Each

Pedal Assembly To Dash

1955 1956 1957
DHK4008 1.72 Each

Cowl Braces To Firewall And Dash

1955 1956 1957
DHK4012 3.32 Each

Dash Aluminum To Dash

1955 1956 1957
DHK4013 0.65 Each

Speaker Cover To Dash

1955 1956 1957
DHK4014 1.33 Each

Ashtray To Dash And Door

1955 1956 1957
DHK4015 0.85 Each

Glove Box To Dash

1955 1956 1957
DHK4016 0.85 Each

Glove Box Hinge To Door

1955 1956 1957
DHK4017 0.85 Each

Glove Box Hinge To Dash

1955 1956 1957
DHK4018 0.65 Each

Glove Box Arms To Door

1955 1956 1957
DHK4019 0.91 Each

Glove Box Latch To Door

1955 1956 1957
DHK4020 0.52 Each

Glove Box Latch Guide To Dash

1955 1956 1957
DHK4021 0.85 Each

Glove Box Latch To Dash

1955 1956 1957
DHK4022 0.85 Each

Dimmer Switch To Cover

1955 1956 1957
DHK4023 0.78 Each

Dimmer Switch Cover To Firewall

1955 1956 1957
DHK4024 0.65 Each

Speaker To Dash Nuts

1955 1956 1957
DHK4029 1.33 Each

Inside Vent Grilles To Body

1956 1957
DHK4031 2.11 Each

Dash Pad Retainer Straps To Dash

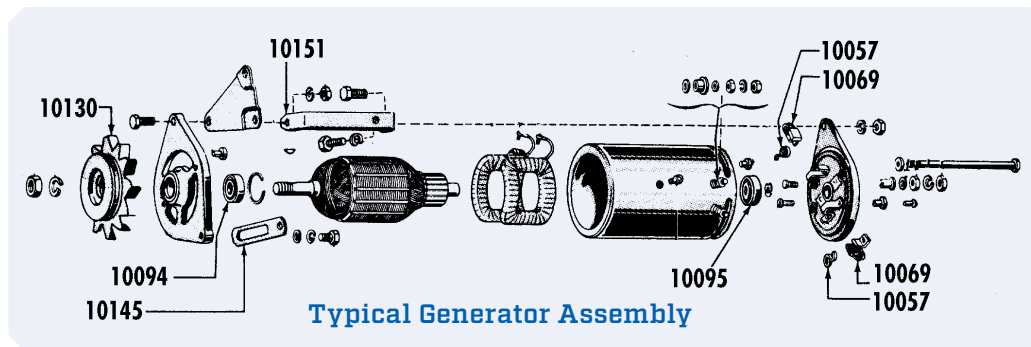
1957
DHK4033 1.79 Each

Instrument Cluster Trim To Dash

1957
DHK4034 2.21 Each

Dash To Cowl And Door Pillar

1957
DHK4035 4.32 Each



ALTERNATOR

- Alternator Kit, 12 Volt Rebuilt**
1956 1957
B10346A..... 265.00 Each
- Alternator, Rebuild 12 Volt**
1956 1957
B10346G 125.25 Each
- Alternator Core Fee**
1956 1957
B10346GC..... 75.00 Each
- Alternator Kit, 6 Volt Rebuilt**
1955
B10346J 225.45 Each

B10001AK

B10002E

B10153A

B10151A

B10145A

GENERATOR

<p>Generator Rebuild Set, 6 Volt 1955 6 Volt Generator B10001AK 34.00 Each</p> <p>Generator Rebuild Set, 12 Volt 1956 1957 12 Volt Generator B10001BK 50.00 Each</p> <p>Generator, Rebuild 1956 1957 12 Volt B10002C 158.65 Each</p> <p>Generator Core Fee 1956 1957 B10002CC..... 100.00 Each</p>	<p>Generator, Rebuild 1955 6 Volt B10002E..... 160.32 Each</p> <p>Generator Core Fee 1955 B10002EC 100.00 Each</p> <p>Generator Brush Spring 1955 1956 1957 B10057B..... 3.34 Each</p> <p>Generator Brush Set 1955 1956 1957 B10069A..... 15.55 Each</p> <p>Generator End Plate Bearing 1955 1956 1957 Generator End Plate Or Steering Pump Bearing B10094A..... 4.39 Each</p>	<p>Generator Rear Bearing 1955 1956 1957 Rear B10095A..... 7.95 Each</p> <p>Generator Pulley 1955 1956 1957 B10130A..... 131.51 Each</p> <p>Generator Adjustment Arm 1955 1956 1957 B10145A 8.87 Each</p> <p>Generator Mount Bracket 1955 1956 1957 B10151A 39.95 Each</p> <p>Generator Support Bracket 1955 1956 1957 B10153A 6.99 Each</p>
--	---	---



VOLTAGE REGULATOR

- Voltage Regulator, 12 Volt**
1956 1957
12 Volt
B10505C..... 93.50 Each
- Voltage Regulator, 6 Volt**
1955
6 Volt
B10505D..... 87.57 Each
- Generator To Regulator Wire**
1957
B14305J 27.39 Each

HARDWARE FOR THIS SECTION

- Generator To Brackets**
1955 1956 1957
With Cast End Plates
DHK3040..... 3.90 Each
- Generator To Brackets**
1955 1956 1957
With Stamped Steel End Plates
DHK3041 3.90 Each
- Voltage Regulator To Apron**
1955 1956 1957
DHK3042..... 0.65 Each

We carry a large inventory of concours-quality parts.
Give us a call if you can't find what you need. Our knowledgeable parts specialists will be happy to help.



BATTERY MOUNTING

BATTERY CLAMPS AND HARDWARE

- Battery Clamp**
1955
B10718F 15.86 Each
- Battery Clamp**
1956 1957
Standard Battery
B10718G.....31.73 Each
- Battery Clamp**
1956 1957
Heavy Duty Battery
B10718H..... 39.58 Each
- Battery Clamp Nut And Washer Set**
1956 1957
Heavy Duty Battery
B10719AK..... 3.70 Each
- Battery Clamp Nut And Washer Set**
1956 1957
Standard Battery
B10719BK.....2.41 Each
- Battery Clamp Nut And Washer Set**
1955
B10719CK 2.80 Each
- Battery Clamp Kit**
1955
B10720AK..... 38.50 Each
- Battery Clamp Kit**
1956 1957
Standard Battery
B10720BK 53.50 Each
- Battery Clamp Kit**
1956 1957
Heavy Duty Battery
B10720CK 72.75 Each

- Battery Clamp J Bolt, 5/16" X 9"**
1955
Heavy Duty Battery, Standard Battery Front Bolt
B10756A..... 9.72 Each
- Battery Clamp J-Bolt, 5/16" X 9 3/4"**
1956 1957
Standard Battery, Rear
B10756D..... 9.39 Each

BATTERY TRAYS

- Battery Tray Bracket**
1955
B10721A 2.76 Each
- Battery Tray**
1956 1957
B10732B..... 75.99 Each
- Battery Tray**
1955
B10732D..... 75.99 Each

BATTERY BOX KITS

- Battery Box Kit**
1956 1957
Heavy Duty Battery, Group Size 32
B10732CK174.00 Kit
- Battery Box Kit**
1955
B10732EK..... 133.00 Kit
- Battery Box Kit**
1956 1957
Standard Battery, Group Size 29
B10732HK 154.00 Kit

BATTERY SHIELDS

- Battery Shield**
1955
B10757A 10.79 Each
- Battery Shield**
1956 1957
B10757B..... 20.44 Each



BATTERY CABLES

CABLES

Battery Cable Set

1957
B14300D.....85.17 Set

Battery Cable Set

1956
B14300E.....85.17 Set

Battery To Relay Cable

1956 1957
B14300G 24.68 Each

Battery To Relay Cable

1955
B14300I 48.71 Each

Battery Cable To Ground

1956
B14301M27.81 Each

Battery Cable To Ground

1957
B14301N.....26.30 Each

Battery Cable To Ground

1955
B14301P 43.79 Each

CABLE GROMMETS AND BRACKETS

Starter Cable Grommet

1957
B14302A..... 4.50 Each

Battery Cable Grommet

1955 1956
B14302D..... 4.50 Each

Battery Cable Bracket And Grommet Kit

1957
B14304AK 28.00 Kit

Battery Cable Bracket

1957
At Bellhousing For Starter Cable
B14304C..... 3.95 Each

Battery Cable Bracket And Grommet Kit

1955 1956
B14304DK 31.00 Kit

Battery Cable Bracket

1955 1956
Firewall And Battery Shield
B14304E..... 6.34 Each

Starter Cable Bracket

1957
Firewall And Battery Shield, 1/4
Inch Hole
B14304G 5.36 Each

Battery Cable Bracket

1955 1956
At Bellhousing For Starter Cable
B14304H..... 5.50 Each

HARDWARE FOR THIS SECTION

Wing Nut, 5/16-18, Cast

1955
Battery Bolt
CSA33896A0.59 Each

Wing Nut, 5/16-18, Stamped

1956 1957
Battery Bolt
CSA33896B0.23 Each

Grommet

1955 1956 1957
Battery Hold Down Bolt
CSB700045.....0.98 Each

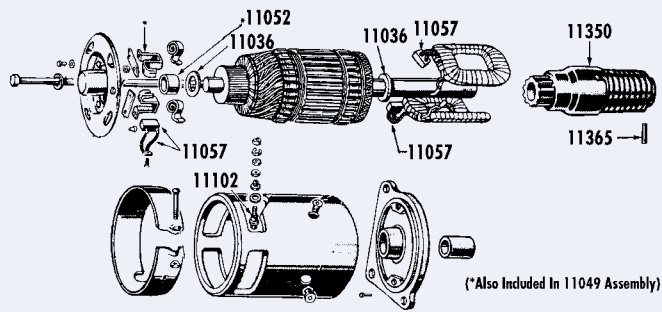
Battery Box Assembly To Car

1955
DHK3003.....4.91 Each

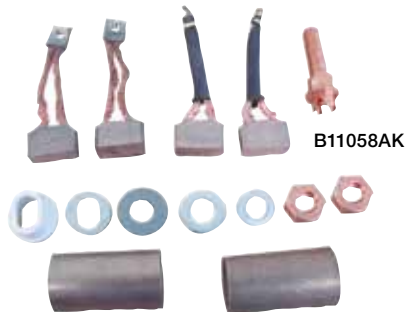
Battery Box Assembly To Car

1956 1957
DHK3062.....4.84 Each

Gift Certificates for Your Future Purchases! Learn how to qualify for \$30 and \$50 gift certificates. Visit our website at www.larrystbird.com for more information.



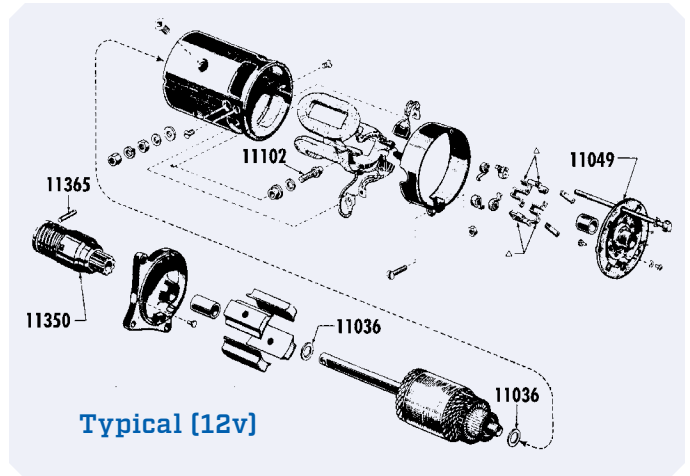
Typical Battery Hold-Down Assembly



STARTERS

- Starter, New, 12 Volt**
1956 1957
B11002J..... 208.75 Each
- Starter, New, 6 Volt**
1955
B11002L 208.75 Each
- Starter, Rebuild, 6 Volt**
1955
B11002M 160.32 Each
- Starter Core Fee**
1955
B11002MC..... 100.00 Each
- Starter, Rebuild, 12 Volt**
1956 1957
B11002N.....242.15 Each
- Starter Core Fee**
1956 1957
B11002NC 100.00 Each
- Starter Armature Washer**
1955 1956 1957
B11036A.....0.65 Each
- Starter Rear Plate Bushing**
1955 1956 1957
Long Bushing
B11052A..... 3.91 Each

- Starter Front Plate Bushing**
1955 1956 1957
Short Bushing
B11052B 2.76 Each
- Starter Brush Set**
1955 1956 1957
B11057B11.77 Each
- Starter Overhaul Kit**
1955 1956 1957
B11058AK..... 25.85 Kit
- Starter Motor Field Terminal**
1955 1956 1957
B11102A10.19 Each
- Starter Cover Band**
1955 1956 1957
B11126A..... 5.69 Each
- Starter Bendix**
1955 1956 1957
B11350B70.14 Each
- Starter Drive Pin**
1955 1956 1957
B11365A 1.42 Each



Typical [12v]

STARTER SOLENOIDS

- Starter Solenoid**
1956 1957
B11450A 16.95 Each
- Starter Solenoid, 6 Volt**
1955
B11450B23.51 Each



- Starter Solenoid, 12 Volt, Brown**
1956 1957
Original Type
B11450C36.65 Each

CABLE GROMMETS AND BRACKETS

- Starter Cable Grommet**
1957
B14302A..... 4.50 Each
- Battery Cable Grommet**
1955 1956
B14302D..... 4.50 Each
- Battery Cable Bracket And Grommet Kit**
1957
B14304AK 28.00 Kit
- Battery Cable Bracket**
1957
At Bellhousing For Starter Cable
B14304C..... 3.95 Each

Battery Cable Bracket And Grommet Kit

- 1955 1956
B14304DK 31.00 Kit

Battery Cable Bracket

- 1955 1956
Firewall And Battery Shield
B14304E..... 6.34 Each

Starter Cable Bracket

- 1957
1957 Firewall And Battery
Shield, 1/4 Inch Hole
B14304G 5.36 Each

Battery Cable Bracket

- 1955 1956
At Bellhousing For Starter Cable
B14304H..... 5.50 Each

STARTER CABLES

- Starter To Solenoid Cable**
1955
B14431B 40.08 Each
- Starter To Solenoid Cable**
1956 1957
B14431F 19.30 Each

HARDWARE FOR THIS SECTION

- Starter To Bell Housing**
1955 1956 1957
DHK3043..... 1.59 Each
- Starter Solenoid To Firewall**
1955 1956 1957
DHK3044..... 0.78 Each



IGNITION

Ignition Switch

1955 1956 1957
B11572C 25.05 Each

Ignition Switch Dash Bezel

1955 1956 1957
B11580D 20.88 Each

Ignition Cylinder And Key

1955 1956 1957
B11582C 11.99 Each

Ignition Bezel Retainer

1955 1956 1957
B11585A 15.11 Each

Door And Ignition Cylinder Lock Kit, Complete

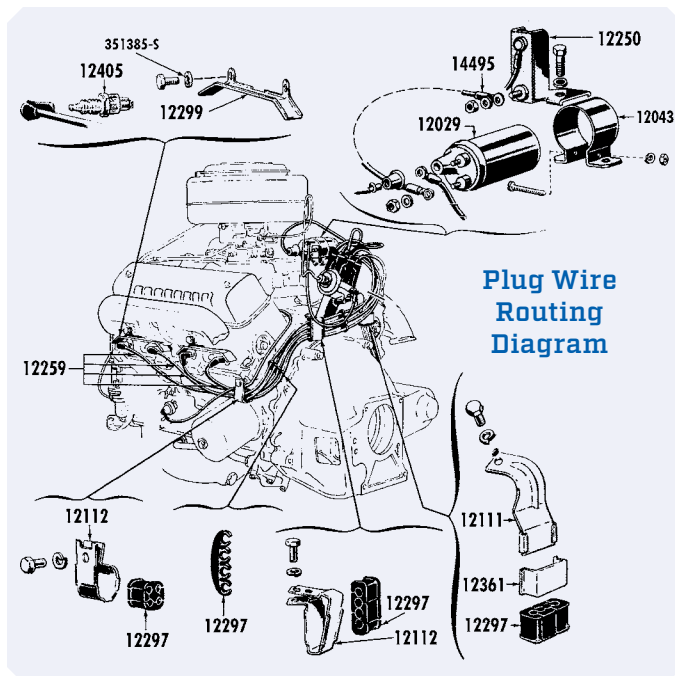
1955 1956 1957
B22050AK 67.00 Each

Door And Ignition Lock Cylinder Set

1955 1956 1957
B22050G 44.92 Each

Key Blank Set

1955 1956 1957
B22051FK 7.90 Each



Plug Wire Routing Diagram



DISTRIBUTOR

DISTRIBUTOR TUNE-UP KITS

Distributor Tune-Up Kit

1957
B12000AK 34.00 Kit

Distributor Tune-Up Kit

1955 1956
B12000FK 39.91 Kit

PERTRONIX IGNITION KITS

Pertronix Ignition Kit, 12 Volt

1955 1956
B12000D 165.33 Each

Pertronix Ignition Kit, 12 Volt

1957
B12000E 133.52 Each

Pertronix Ignition Kit, 6 Volt

1955
B12000G 175.27 Each

DISTRIBUTOR CAPS

Distributor Cap

1955 1956
B12106B 26.65 Each

Distributor Cap

1957
8 Cylinder
B12106C 29.95 Each

DISTRIBUTORS

Distributor, Rebuild

1955
Vacuum Advance Not Included
B12127L 250.50 Each

Distributor Core Fee

1955
B12127IC 600.00 Each

Distributor, Rebuild

1956
Vacuum Advance Not Included
B12127L 228.79 Each

Distributor Core Fee

1956
B12127LC 600.00 Each

Distributor, Rebuild

1957
Vacuum Advance Not Included
B12127N 297.26 Each

Distributor Core Fee

1957
B12127NC 600.00 Each

Replacement Distributor Kit

1955 1956 1957
For Use With Original Tach Cable
B12127Y 475.95 Each

Distributor Shaft Seal

1955 1956 1957
B12476A 14.61 Each

Coil To Distributor Wire

1955 1956 1957
B14302B 7.43 Each

DISTRIBUTOR POINTS

Distributor Point Set

1955 1956
B12171A 7.99 Each

Distributor Points

1957
B12171B 17.85 Each

DISTRIBUTOR ROTORS

Distributor Rotor

1955 1956
B12200A 17.55 Each

Distributor Rotor

1957
B12200C 7.15 Each

DISTRIBUTOR CONDENSERS

Distributor Condenser

1957
Except Electronic Ignition
B12300C 9.80 Each

Distributor Condenser

1955 1956
B12300D 12.51 Each





B12029D



B12029E

IGNITION COIL

Ignition Coil, 6 Volt

1955
B12029A..... 29.31 Each

Ignition Coil, Pertronix, 6 Volt, Black

1955
B12029B..... 66.72 Each

Ignition Coil, Hipo Pertronix, 12 Volt, Chrome

1956 1957
B12029C..... 66.72 Each

Ignition Coil, Yellow Top, 12 Volt

1957
B12029D..... 46.04 Each

Ignition Coil, Replacement Type, 12 Volt, Black

1956 1957
To Early 1957
B12029E..... 27.27 Each

Ignition Coil Bracket

1956 1957
B12043B..... 36.51 Each

Ignition Coil Bracket

1955
B12043C..... 13.46 Each

Ignition Coil Wire, Brown, Like Original With Correct Boots

1955 1956 1957
B12298A..... 23.31 Each

Coil To Resistor Wire

1956 1957
B14495C..... 6.18 Each

Ignition Coil Wire, Brown, Like Original With Correct Boots

1955 1956 1957
B12298A..... 23.31 Each

Spark Plug Wire Shield

1955 1956 1957
B12299A..... 8.13 Each

PLUG WIRE AND HOLDER SET

Plug Wire And Holder Set

1955 1956 1957
B12260AK..... 145.00 Each

SPARK PLUGS

Spark Plug

1955 1956 1957
B12405C..... 3.19 Each

VACUUM ADVANCE

Vacuum Advance, Rebuild Original

1955
B12370A..... 125.25 Each

Vacuum Advance Core Fee

1955
B12370AC..... 100.00 Each

Vacuum Advance, Dual Type, Rebuild

1956
B12370H..... 208.75 Each

Vacuum Advance Core Fee

1957
B12370HC..... 125.00 Each

Vacuum Advance, Replacement Type

1957
B12370J..... 58.45 Each

DISTRIBUTOR TO CARBURETOR VACUUM LINES

Distributor To Carburetor Vacuum Line, Stainless

1957
B12371B..... 43.99 Each

Distributor To Carburetor Vacuum Line, Original

1955
B12371C..... 29.64 Each

Distributor To Carburetor Vacuum Line, Stainless

1955
B12371D..... 32.55 Each

Distributor To Carburetor Vacuum Line, Original

1957
B12371H..... 13.96 Each

Distributor To Carburetor Vacuum Line, Original

1956
B12371I..... 32.57 Each

Distributor To Carburetor Vacuum Line, Stainless

1956
B12371J..... 39.25 Each

DISTRIBUTOR MANUAL

Distributor Manual

1955 1956 1957
DLT054..... 18.70 Each



SPARK PLUGS AND WIRES

PLUG WIRE GROMMETS AND BRACKETS

Plug Wire Bracket, In-Line

1955 1956 1957
Right Side
B12111A..... 10.69 Each

Plug Wire Bracket, Square

1955 1956 1957
Square Type
B12112A..... 8.13 Each

Plug Wire Bracket, In-Line

1955 1956 1957
Left Side
B12112B..... 5.69 Each

Plug Wire Holder Set

1955 1956 1957
B12113AK..... 46.00 Kit

Plug Wire Grommet, In-Line

1955 1956 1957
4 In-Line
B12297A..... 2.02 Each

Plug Wire Grommet, Square

1955 1956 1957
B12297B..... 1.89 Each

Plug Wire Separator

1955 1956 1957
Floating
B12297D..... 0.55 Each

Plug Wire Clamp, In-Line

1955 1956 1957
In-Line
B12361A..... 4.71 Each

Banding Strap

1955 1956 1957
Heater Hose Or Plug Wires
B18954A..... 2.76 Each

SPARK PLUG WIRES

Spark Plug Wire Set, Original Type

1957
Late 1957
B12259E..... 99.00 Each



B12259E

Spark Plug Wire Set, Original Type

1955 1956 1957
To Early 1957
B12259F..... 89.99 Each

HARDWARE FOR THIS SECTION

Pin

1957
Distributor Driven Gear
CSA61489..... 1.67 Each

Roll Pin

1955 1956 1957
Tachometer Drive Gear
CSB354132..... 0.10 Each

Coil Bracket To Manifold

1955 1956 1957
DHK3045..... 0.91 Each

Ignition Cable Brackets To Engine

1955 1956 1957
DHK3046..... 2.67 Each



B11654G

B11661B

B11661C



B13007G



B13015C



B13024C



B13044C

HEADLIGHTS

- Headlight Switch Nut**
1955 1956
B11650D..... 17.07 Each
- Headlight Switch Nut**
1957
B11650E..... 20.46 Each
- Headlight Switch, 12 Volt**
1956 1957
B11654G..... 59.95 Each
- Headlight Switch Knob And Shaft**
1957
B11661B..... 23.45 Each
- Headlight Switch Knob And Shaft**
1955 1956
B11661C..... 23.45 Each
- Headlamp Bulb, 6 Volt**
1955
B13007E..... 13.36 Each
- Headlight, Sealed Beam**
1956 1957
B13007G..... 20.88 Each
- Headlamp Door Retainer Clip**
1955 1956 1957
B13009A..... 7.52 Each

- Headlamp Retaining Ring**
1955 1956 1957
B13015C..... 23.80 Each
- Dimmer Switch**
1955 1956
B13024C..... 24.92 Each
- Dimmer Switch**
1957
B13024D..... 23.38 Each
- Headlamp Gasket**
1955 1956 1957
B13044C..... 3.90 Each
- Headlamp Wire**
1956
Bulb To Loom
B13076B..... 26.89 Each
- Headlamp Wire Set**
1957
Bulb To Loom, Pair
B13076C..... 57.87 Each
- Headlamp Wire**
1955
Bulb To Loom
B13076D..... 26.89 Each



B13000AK

GASKET SETS

- Lamp Gasket Set**
1955
With Backups
B13000AK..... 48.00 Each
- Lamp Gasket Set**
1955
Without Backups
B13000BK..... 47.00 Each

- Lamp Gasket Set**
1956
B13000CK..... 42.00 Each
- Lamp Gasket Set**
1957
B13000DK..... 31.00 Each



B13206I

B13206M

B13208C

B13209A

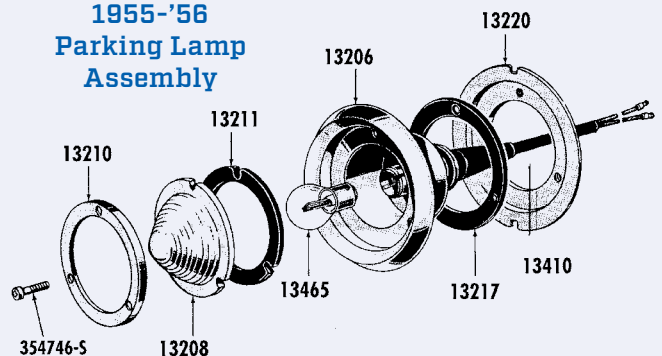
PARK LIGHTS

- Park Lamp Kit, 6 Volt**
1955
B13200EK..... 147.00 Kit
- Park Lamp Kit**
1957
B13200FK..... 184.00 Kit
- Park Lamp Kit**
1956
B13200GK..... 146.00 Kit
- Parklight Body**
1955 1956
B13206I..... 49.68 Each

- Parklight Body**
1957
B13206M..... 72.65 Each
- Parking Light Lens, Right**
1957
B13208AJ..... 13.98 Each
- Park Light Lens**
1955 1956
B13208C..... 8.95 Each

Continued on the nex page

1955-'56 Parking Lamp Assembly



EXTERIOR LIGHTS



B13410A

Parking Light Lens, Left

1957
B13209A..... 10.02 Each

Parklight Lens Retaining Ring

1955 1956
B13210E.....7.28 Each

Parking Lamp Lens Gasket

1957
B13211F.....1.79 Each

Park Light Lens Gasket

1955 1956
B13211I..... 1.07 Each

Parklight Body Pad

1955 1956
B13217A..... 2.76 Each



B13410D

Parklight Body Pad

1957
B13217D.....1.47 Each

Park Light Wire And Socket

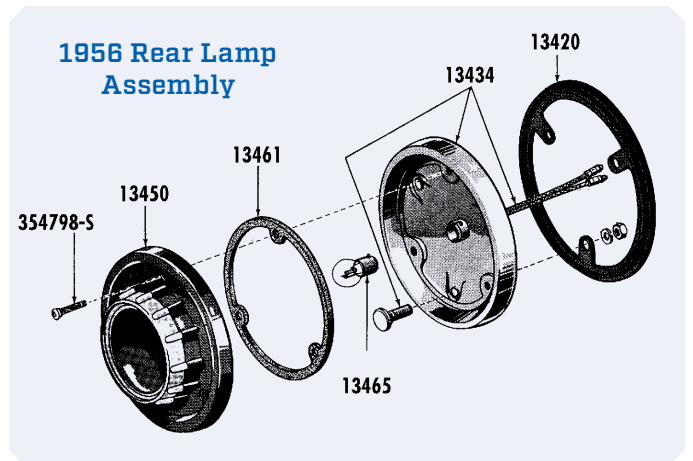
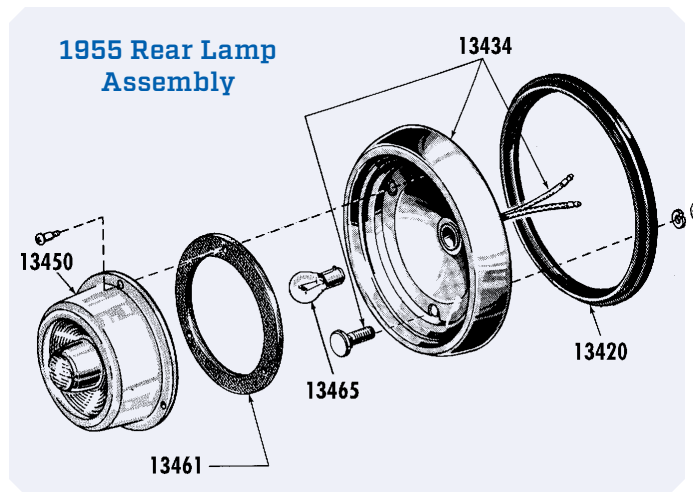
1955
B13410A..... 23.88 Each

Park Light Wire And Socket

1956
B13410D.....26.89 Each

Park Light Wire And Socket

1957
B13410E.....26.89 Each



B13350D

FLASHERS

Flasher, 2 Prong

1956 1957
Turn Signal Or Emergency,
Before 11/1965
B13350C..... 9.75 Each

Turn Signal Flasher, 6 Volt

1955
B13350D.....5.85 Each



B13413C

TAIL LIGHTS

Tail Lamp Pig Tail

1957
B13413A..... 28.59 Each

Tail Lamp Pig Tail

1956
B13413B..... 19.45 Each

Tail Lamp Pig Tail

1955
B13413C..... 15.36 Each



B13449BK

Tail Light Door Pad

1957
B13420C..... 3.90 Each

Tail Light Body Pad

1955 1956
B13420E.....7.80 Each

Tail Light Housing

1955
B13434E..... 43.25 Each

Tail Light Housing

1956
B13434F..... 43.00 Each



B13450L



B13450M

Tail Lamp Kit

1957
Without Backups
B13449AK 122.00 Kit

Tail Lamp Kit

1956
B13449BK..... 160.00 Kit

Tail Lamp Kit

1955
B13449CK..... 165.00 Kit

Tail Lamp Kit

1957
With Backups
B13449DK..... 169.00 Kit

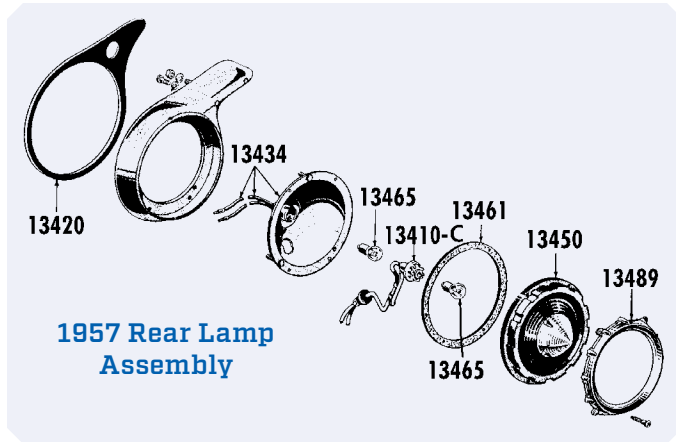
Tail Light Lens

1956
B13450L..... 23.08 Each

Tail Light Lens

1957
Without Backup
B13450M.....17.48 Each

Continued on the nex page



1957 Rear Lamp Assembly



Tail Light Lens
1957
With Backup
B13450N 39.75 Each

Tail Light Lens
1955
B13450P 14.98 Each

Tail Light Lens Gasket
1956
B13461F 2.50 Each

Tail Light Lens Gasket
1957
B13461H 3.90 Each

Tail Light Lens Gasket
1955
B13461I 3.58 Each

Led Tail Light Panel, Pair
1957
B13465AL 367.32 Pair

Led Tail Light Panel, Pair
1957
With Sunburst Signal
B13465AO 367.32 Pair

Led Tail Light Panel, Pair, 6 Volt
1955
With Sunburst Signal
B13465AR 367.32 Pair

Led Tail Light Panel, Pair, 6 Volt
1955
B13465AS 244.25 Pair

Led Tail Light Panel, Pair
1955
12V With Sunburst Signal
B13465AT 367.32 Pair

Led Tail Light Panel, Pair
1956
With Sunburst Signal
B13465AY 367.32 Pair

Stoplight Switch
1955 1956 1957
B13480A 7.70 Each

Tail Light Bezel
1957
Without Backup
B13489A 29.17 Each

Tail Light Bezel
1957
With Backup
B13489M 29.17 Each



LICENSE LIGHTS

License Light Wire And Socket
1957
B13412A 18.69 Each

License Light Lens Retainer
1955 1956
B13423A 5.49 Each

Rear License Light Set
1956
B13550A 39.65 Each

Rear License Light Set
1957
B13550DK 80.50 Each

Rear License Light Set
1955
B13550E 39.98 Each

Rear License Light Body
1955 1956
B13560F 19.50 Each

Rear License Light Body
1957
B13560G 24.75 Each

Rear License Light Lens
1955 1956
B13564B 17.05 Each

Rear License Light Lens
1957
B13564C 17.85 Each

Rear License Light Lens Retainer
1957
B13566A 18.49 Each

Rear License Light Lens Gasket
1957
B13568A 1.30 Each

Rear License Light Lens Gasket
1955 1956
B13568B 1.30 Each

Rear License Light Socket Gasket
1957
B13668A 0.50 Each





BACKUP LIGHTS

Backup Light Wire and Socket

1957
B13411B 19.59 Each

Backup Light Wire

1955 1956
B13411D 10.24 Each

Backup Lamp Housing Reflector

1956
B13437A 2.24 Each

Backup Lamp Kit

1955
B15500BK 160.00 Kit

Backup Lamp Kit

1956
B15500CK 93.00 Kit

Backup Light Lens Gasket

1956
B15510C 1.30 Each

Backup Light Lens Gasket

1955
B15510F 1.14 Each

Backup Light Lens

1956
B15514A 11.27 Each

Backup Light Lens

1955
B15514E 11.27 Each

Backup Light Housing

1955
B15515A 35.25 Each

Backup Light Housing

1956
B15515B 27.95 Each

Backup Light Block Off Plate

1955
Without Backup
B15515C 30.39 Each

Backup Light Switch

1955 1956 1957
Manual Transmission /
Overdrive
B15520D 61.15 Each

Backup Light Switch Wire

1956 1957
B15525A 41.75 Each

Backup Light Switch Wire

1955
B15525B 28.06 Each

Backup Light Body Pad

1955
B15533A 3.74 Each

Backup Light Body Pad

1956
B15533B 1.30 Each

Backup Light Body Pad

1955
B15533F 3.42 Each

Backup Light Switch Bracket And Cam

1955 1956 1957
B15540BK 2.70 Each

HARDWARE FOR THIS SECTION

Screw

1955 1956 1957
Headlight Door
CSA32948 0.27 Each

Screw

1955
Tail Light Lens
CSB353624 1.34 Each

Bolt

1955
Backup Light Lens
CSB354690 1.27 Each

Screw

1955 1956
Park Light Lens
CSB354746 0.84 Each

Screw

1956
Tail Light Lens
CSB354798 0.84 Each

Screw

1957
1957 Tail Light, 1958-1960
Park Light
CSB354899 1.17 Each

Screw

1956
Backup Light Lens
CSB354973 1.25 Each

Park Lamp Lens To Body

1955 1956
DHK2002 2.37 Each

Headlamp Bucket And Door

1955 1956 1957
DHK2008 4.78 Each

Headlamp Door To Bucket

1955 1956 1957
DHK2009 0.78 Each

Park Lamp To Bumper

1957
DHK2025 2.57 Each

Dimmer Switch To Cover

1955 1956 1957
DHK4023 0.78 Each

Dimmer Switch Cover To Firewall

1955 1956 1957
DHK4024 0.65 Each

Tail Lamp Lens Screw Kit

1955
DHK9000 8.00 Each

Backup Lens To Body

1955
DHK9001 7.60 Each

Rear Lamp Body To Fender

1955 1956
DHK9005 0.85 Each

License Light Lens

1955 1956 1957
DHK9008 0.78 Each

Tail Light Lens Screw Kit

1956
DHK9012 5.00 Each

Backup Lens To Body

1956
DHK9013 5.04 Each

Rear Lamp Body To Fender

1957
DHK9019 2.18 Each

Tail Lamp Lens Screw Kit

1957
DHK9020 9.30 Each



A3636A



A3636B



A3636C

HORN RING

- Horn Ring Emblem Retain**
1955
Power Steering
A3625A..... 23.33 Each
- Horn Ring Emblem Retain**
1955
Manual Steering
A3625B..... 23.33 Each
- Horn Ring Emblem**
1956
A3636A..... 40.86 Each
- Horn Ring Emblem**
1957
A3636B 19.95 Each
- Horn Ring Emblem**
1955
A3636C 14.63 Each
- Horn Ring Pad**
1956 1957
A3672B..... 0.62 Each
- Horn Ring Mounting Set**
1955
Manual Steering
B13799A..... 217.02 Each
- Horn Ring Mounting Set**
1955
Power Steering
B13799B..... 217.02 Each
- Horn Ring Attaching Plate**
1956 1957
B13800A..... 18.62 Each
- Horn Ring Attaching Plate**
1955
B13800B..... 23.30 Each
- Horn Ring Contact Plate**
1956 1957
B13801A..... 18.62 Each
- Horn Ring Contact Plate**
1955
B13801B..... 23.30 Each
- Horn Ring Spacer Plate
Chrome Sleeve And Gasket**
1955
B13802A..... 23.30 Each

- Horn Ring Trim Plate And
Gasket**
1955
B13803A..... 34.99 Each
- Horn Ring Screw And
Grommet Set**
1956 1957
B13804A..... 11.61 Each
- Horn Ring Screw And
Grommet Set**
1955
B13804B..... 11.61 Each
- Horn Ring Emblem Lower
Plate**
1955
B13804C..... 17.54 Each
- Horn Ring Top Clear Plastic**
1955
B13805A..... 10.40 Each
- Horn Ring Casting**
1955
B13805C..... 666.33 Each
- Horn Ring Top Plastic
Retainer**
1955
2 Required
B13805F..... 31.31 Each
- Horn Ring Rubber Insulator**
1956 1957
B13806A..... 7.52 Each
- Horn Ring Grommet For
Emblem**
1955
B13806B..... 3.42 Each
- Horn Ring Rubber Insulator**
1955
B13806C 9.19 Each
- Horn Button Spring**
1956 1957
B13807B..... 3.99 Each
- Horn Emblem Back Plate,
Silver**
1956
B13810A 19.71 Each
- Horn Emblem Back Plate,
Black**
1957
B13810B 19.54 Each

TURN SIGNAL

- Turn Signal Cancel Plate**
1955
B13304A..... 34.95 Each
- Turn Signal Cancel Plate**
1956 1957
B13304B..... 38.95 Each
- Turn Signal Lever**
1956 1957
B13305I..... 12.95 Each
- Turn Signal Lever**
1955
B13305M..... 14.95 Each
- Signal Switch Plate Pawl**
1955 1956 1957
B13309A..... 6.86 Each
- Turn Signal Switch Pawl
Spring**
1955 1956 1957
B13316A..... 7.77 Each
- Turn Signal Switch Cam**
1955 1956 1957
B13318C..... 9.43 Each



B13341A

- Turn Signal Switch**
1955 1956 1957
B13341A 105.00 Each
- Turn Signal Switch Spring**
1955 1956 1957
Original
B13343A..... 3.26 Each
- Turn Signal Switch Spring**
1955 1956 1957
Replacement
B13343B..... 3.26 Each
- Flasher, 2 Prong**
1956 1957
Turn Signal Or Emergency,
Before 11/1965
B13350C..... 9.75 Each
- Turn Signal Flasher, 6 Volt**
1955
B13350D..... 5.85 Each



B13305M



B13350D

HORN

- Mount Bracket**
1955 1956 1957
Right
B13830A..... 4.93 Each
- Horn Mount Bracket**
1955 1956 1957
Left
B13831A 4.93 Each



B13853A

- Horn Relay, 12 Volt**
1956
B13853A..... 19.75 Each
- Horn Relay, 6 Volt**
1955
6 Volt
B13853B..... 30.23 Each
- Horn Relay**
1957
Replacement Type
B13853E..... 38.11 Each
- Horn Wire**
1955 1956 1957
B14308E..... 22.13 Each



Give us a call if you
can't find the parts
you need.

HARDWARE FOR THIS SECTION

- Horn Brackets To Body**
1955 1956 1957
DHK3047 1.85 Each

HEADLIGHT BULBS

Headlight Bulb, 6 Volt

1955
B13007E..... 13.36 Each

Headlight, Sealed Beam

1956 1957
B13007G.....20.88 Each

Save money on your online purchases!
Visit our website at www.larrystbird.com
to learn how to get a 10% discount.

LIGHT BULB APPLICATION CHART

Function	Quantity	1955	1956	1957	Item Number	Price Each
Backup Light	2	X			B13465O	1.74
	2		X		B13465B	1.55
	2			X	B13465AH	1.50
Generator / Oil Warning Lights	2	X			NA	
	2		X	X	B13465AM	0.84
	4	X			B13465F	1.34
Dash Knob Bezels	4		X		B13465AM	0.84
	6			X	B13465AM	0.84
	5	X			B13465F	1.34
Gauges	5		X	X	B13465AM	0.84
	1	X			B13465F	1.34
	1		X	X	B13465AM	0.84
Heater Control Panel	1	X			B13465F	1.34
	1		X	X	B13465AM	0.84
	1	X			B13465F	1.34
Hi Beam Indicator	1		X	X	B13465AM	0.84
	1	X			B13465F	1.34
	1	X			B13465F	1.34
Ignition	1	X			B13465F	1.34
	1		X	X	B13465AM	0.84
	2	X			B13465E	1.00
License Plate Light	2		X		B13465T	0.95
	1			X	B13465T	0.95
	1	X			B13465E	1.00
Map Light	1		X	X	B13465T	0.95
	2	X			B13465M	1.69
	2		X	X	B13465A	0.89
Parking Light	1	X			B13465F	1.34
	1		X	X	B13465AM	0.84
	1	X			NA	
Shifter Dial	1		X	X	B13465AB	1.19
	2	X			NA	
	2		X	X	B13465A	0.89
Turn Signal Indicators	2	X			NA	
	2		X	X	B13465AM	0.84

LIGHT BULB KITS

Bulb Kit

1955
B13465AJK 30.00 Set

Bulb Kit

1956
B13465AWK 27.00 Set

Bulb Kit

1957
B13465AVK 25.00 Set

B13465AJK; Contains Most Small Bulbs Necessary For '55 Thunderbirds. Does Not Include Bulbs For: Gen/Oil Warning: Transmission Shift Selector Dial or Turn Signal Indicator.

B13465AWK; Contains All The Small Bulbs Necessary.

B13465AVK; Contains All The Small Bulbs Necessary.



B13465AJK

LED TAILLIGHT PANELS

LED Tail Light Panel, Pair
1957
B13465AL..... 367.32 Pair

LED Tail Light Panel, Pair
1957
With Sunburst Signal
B13465AO 367.32 Pair

LED Tail Light Panel, Pair, 6 Volt
1955
With Sunburst Signal
B13465AR 367.32 Pair

LED Tail Light Panel, Pair, 6 Volt
1955
B13465AS 244.25 Pair

LED Tail Light Panel, Pair
1955
12 Volt With Sunburst Signal
B13465AT 367.32 Pair

LED Tail Light Panel, Pair
1956
With Sunburst Signal
B13465AY 367.32 Pair



FUSE APPLICATION CHART

Function	Quantity	1955	1956	1957	Item Number	Price Each
Clock	1	X			B14526P	0.57
	1		X	X	B14526S	1.40
Head Light	1	X			B14526P	0.57
	1		X	X	B14526M	4.84
Heater	1	X			B14526D	0.45
	1		X	X	B14526O	0.47
Instrument Cluster	1	X			B14526P	0.57
	1		X	X	B14526M	4.84
Map Light	1	X			B14526P	0.57
	1		X	X	B14526M	4.84
Overdrive	1	X			B14526B	0.35
	1		X	X	B14526E	1.15
Radio	1	X			B14526O	0.47
	1		X	X	B14526M	4.84
Turn Signals	1	X			B14526P	0.57
	1		X	X	B14526M	4.84

FUSE KITS

Fuse Kit
1955
B14526AK 3.50 Kit

Fuse Kit
1956 1957
B14526HK 22.00 Kit

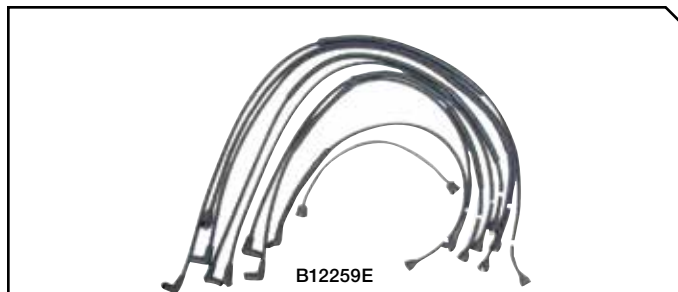


CIRCUIT BREAKER APPLICATION CHART

Function	Amps	Quantity Used			Item Number	Price Each
		1955	1956	1957		
Power Seat	15		2	2	B14526I	12.27
	20	2			B14526C	14.11
	30	1	1	1	B14526G	16.90
	40	1			B14526F	11.07
Power Window	15	1	2	2	B14526I	12.27
	20	1			B14526C	14.11
	30		1	1	B14526G	16.90
	40	1			B14526F	11.07
Dial-O-Matic Seats	8			1	B14526N	15.55
	30			1	B14526G	16.90
	40			1	B14526F	11.07

OVERDRIVE WIRE HARNESS

Overdrive Wire Harness
1955 1956 1957
A7200A..... 25.05 Each



B12259E

Qualifies for CTCI Excellence in Authenticity Award!

*Concours-Quality Exact Reproduction Plug Wire Sets. A must for CTCI Concours d'Elegance Competition. Black Covered "Wire Core" Type Wires. "FoMoCo" Oval Logo on Boots. Brown Coil Wire with Correct Part Number. Correctly Shaped Distributor Cap "Boots". Heat Conduit Installed. Numbered Wires for Easy Installation.

SPARK PLUG WIRES

***Spark Plug Wire Set, Original Type**
1957
Late 1957
B12259E 99.00 Each

***Spark Plug Wire Set, Original Type**
1955 1956 1957
To Early 1957
B12259F 89.99 Each

Plug Wire And Holder Set
1955 1956 1957
B12260AK 145.00 Each

HEADLIGHT WIRES

Headlight Wire
1956
Bulb To Loom
B13076B..... 26.89 Each

Headlight Wire Set
1957
Bulb To Loom, Pair
B13076C..... 57.87 Each

Headlight Wire
1955
Bulb To Loom
B13076D..... 26.89 Each

Headlight Wire Loom
1956
B14445A..... 71.14 Each

Headlight Wire Loom
1955
B14445B..... 57.87 Each

Headlight Wire Loom
1957
B14445C..... 27.56 Each

PARK LIGHT WIRES

Park Light Wire And Socket
1955
B13410A 23.88 Each

Park Light Wire And Socket
1956
B13410D 26.89 Each

Park Light Wire And Socket
1957
B13410E 26.89 Each

LICENSE PLATE LIGHT WIRE

License Light Wire And Socket
1957
B13412A 18.69 Each



B14300E

B14300I

BATTERY CABLES

Battery Cable Set
1957
B14300D..... 85.17 Set

Battery Cable Set
1956
B14300E..... 85.17 Set

Battery To Relay Cable
1956 1957
B14300G 24.68 Each

Battery To Relay Cable
1955
B14300I 48.71 Each

Battery Cable To Ground
1956
B14301M 27.81 Each

Battery Cable To Ground
1957
B14301N 26.30 Each

Battery Cable To Ground
1955
B14301P 43.79 Each

Engine Ground Strap
1957
B14303D..... 9.90 Each

Engine Ground Strap
1955 1956
B14303I 6.00 Each



B12298A

**Qualifies for CTCI Excellence in Authenticity Award!*

COIL WIRES

***Ignition Coil Wire, Brown, Like Original With Correct Boots**
1955 1956 1957
B12298A..... 23.31 Each

Coil To Distributor Wire
1955 1956 1957
B14302B..... 7.43 Each

Coil To Resistor Wire
1956 1957
B14495C..... 6.18 Each

GENERATOR TO REGULATOR WIRE

Generator To Regulator Wire
1957
B14305J 27.39 Each

HORN WIRE

Horn Wire
1955 1956 1957
B14308E..... 22.13 Each

HEATER CONTROL WIRES

Heater Switch To Motor Wire
1955
B14309A..... 16.37 Each

Heater Switch To Motor Wire
1956 1957
B14309B..... 18.29 Each

Ignition To Heater Switch Wire
1955 1956 1957
B14338A..... 15.11 Each

Heater Lamp Wire And Socket
1955 1956
B18541B 10.10 Each

OIL SENDING UNIT WIRES

Oil Sending Unit Wire
1956 1957
B14322A..... 7.93 Each

Oil Sending Unit Wire
1955
B14322C..... 7.43 Each

MAIN WIRE LOOMS

Main Wire Loom Repair
1956
Splice At Firewall
B14401AA..... 89.09 Each

Main Wire Loom Repair
1957
Splice At Firewall
B14401B.....97.36 Each

Main Wire Loom
1955
B14401O..... 482.21 Each

Main Wire Loom
1956
B14401X..... 490.98 Each

Main Wire Loom
1957
B14401Y..... 490.98 Each

Main Wire Loom Repair
1955
Splice At Firewall
B14401Z..... 86.01 Each

TAIL LIGHT WIRES

Tail Lamp Pig Tail
1957
B13413A..... 28.59 Each

Tail Lamp Pig Tail
1956
B13413B..... 19.45 Each

Tail Lamp Pig Tail
1955
B13413C..... 15.36 Each

Tail Light Wire Loom
1956
B14405L..... 102.87 Each

Tail Light Wire Loom
1955
B14405N..... 89.51 Each

Tail Light Wire Loom
1957
B14405O..... 102.87 Each

STARTER TO SOLENOID CABLES

Starter To Solenoid Cable
1955
B14431B..... 40.08 Each

Starter To Solenoid Cable
1956 1957
B14431F..... 19.30 Each

JUNCTION BLOCKS

Junction Block, Single
1955 1956
Single Row, Except Underdash
B14448A..... 14.30 Each

Junction Block, Double
1955 1956 1957
Double Row
B14448B..... 19.47 Each

Junction Block, Double
1955 1956 1957
Under Dash, Single Row
B14448C..... 19.99 Each

NEUTRAL SAFETY SWITCH WIRE

Neutral Safety Switch Wire
1955 1956 1957
B14476A..... 36.24 Each

INSTRUMENT PANEL GROUND WIRE

Instrument Panel Ground Wire
1955 1956
B14590A..... 10.52 Each

POWER WINDOW AND SEAT WIRES

Power Window Wire
1955
Right Side
B14630A..... 60.20 Each

Power Window Wire
1956
Right Side
B14630B..... 60.20 Each

Power Window Wire
1957
Right Side
B14630C..... 60.20 Each

Power Window And Seat Wire
1957
Left Side
B14631B..... 84.50 Each

Power Window Wire
1957
Left Side
B14631F..... 64.30 Each

Power Window And Seat Wire
1956
Left Side
B14631H..... 84.50 Each

Power Window Wire
1956
Left Side
B14631I..... 64.30 Each

Power Window And Seat Wire
1955
Left Side
B14631J..... 80.83 Each

Power Seat To Dash Wire
1955
B14643D..... 74.40 Each

Power Seat To Dash Wire
1956 1957
B14643E..... 74.40 Each

Window Safety Relay Wire
1956 1957
B14679B..... 31.23 Each

Power Seat Wire
1957
Left Side
B14689A..... 40.41 Each

Power Seat Wire
1955 1956
Left Side
B14689B..... 36.24 Each

Power Seat Power Feed
1957
Dial-O-Matic Seat
B14774A..... 89.70 Each

CLOCK WIRE

Clock Wire With Fuse Holder
1955 1956 1957
B15026C..... 13.36 Each

BACKUP LIGHT WIRES

Backup Light Wire
1955 1956
B13411D..... 10.24 Each

Backup Light Switch Wire
1956 1957
B15525A..... 41.75 Each

Backup Light Switch Wire
1955
B15525B..... 28.06 Each

RADIO WIRES

Radio To Ignition Wire, With Fuse Holder
1955 1956 1957
B18806C..... 10.02 Each

Radio Speaker Wire Pigtail
1955 1956 1957
B18807A..... 23.28 Each



Includes all tags necessary to complete the job the right way!

WIRE LOOM TAG SET

Wire Loom Tag Set
1957
DDK004.....9.19 Each



ELECTRICAL MANUAL

Electrical Manual
1955 1956 1957
DLT052.....22.13 Each

HARDWARE FOR THIS SECTION

Wire Retainer On Firewall
1955 1956 1957
At Firewall
B14608A..... 10.97 Each

Inner Fender Apron Grommet
1955 1956 1957
B14651A..... 4.93 Each

Wiring Clip, Green
1955 1956 1957
Engine Compartment
CSB352999..... 3.24 Each

Wiring Clip, Rubber Coated
1955 1956 1957
CSB356628..... 2.22 Each

Wiring Clip
1955 1956 1957
Automatic Transmission At Fan Shroud
CSB356640..... 1.57 Each

Wiring Clip, Rubber Coated
1955 1956 1957
Generator Wires To Shroud
CSB358350..... 2.20 Each

Junction Blocks To Apron
1955 1956
DHK3006..... 1.17 Each

Ground Strap Engine To Firewall
1955 1956 1957
DHK3048..... 0.91 Each

Junction Block To Apron
1957
DHK3064..... 0.65 Each



B14600AK

B14500BK

* These kits include the chrome housings, switch plates, switch's, gaskets & clips. NOTE: Does not include relays or wiring.



B14529F

B14529H

POWER SEAT OR WINDOW SWITCHES

***Window Switch Kit**
1955 1956 1957
Male Style
B14500AK 250.00 Kit

***Window Switch Kit**
1955 1956 1957
Female Style
B14500BK 220.00 Kit

Window Switch, Male
1955 1956 1957
1956/57 Window, Male
Terminals
B14529F 40.30 Each


Power Window Or Seat Switch
1955 1956 1957
1955 Window, 1955/57 Power
Seat, Female Terminals
B14529H..... 30.88 Each

***Seat Switch Kit, Female Terminals**
1955 1956 1957
Female Terminals
B14600AK 110.00 Kit

***Seat Switch Kit, Male Terminals**
1955 1956 1957
Male Terminals
B14600BK 129.00 Kit

POWER SEAT OR WINDOW RELAY

- Power Seat Or Window Relay**
1955
B14512B 40.91 Each
- Power Seat Or Window Relay**
1956 1957
B14512C 40.91 Each

B14523A

B14524A

B14528M

B14554A

B14561A

B14616A

B14685A

SWITCH PLATES AND HOUSINGS

Power Window Switch Plate
1955 1956 1957
Right Side
B14523A..... 4.88 Each

Window Switch Plate
1955 1956 1957
Left Side
B14524A 21.55 Each

Power Window Switch Housing
1955 1956 1957
Left Side
B14528M 48.85 Each

Window Switch Gasket
1955 1956 1957
Right Side
B14554A..... 3.30 Each

Power Seat Switch Gasket
1955 1956 1957
B14561A 6.83 Each

Window / Seat Switch Clip
1955 1956 1957
V Type
B14570A 3.25 Each

Window Switch Gasket
1955 1956 1957
Left Side
B14616A 6.18 Each

Power Seat Switch Housing
1955 1956 1957
B14685A..... 28.95 Each

Give us a call if you can't find the parts you need. Our knowledgeable parts specialists will be happy to help!



POWER SEAT OR WINDOW MOTORS

- Seat Motor, 12 Volt, New**
1955 1956 1957
Dial-O-Matic Seat
B14547A 293.02 Each
- Seat Motor, 6 Volt, New**
1955
B14547B 271.38 Each
- Seat Motor, 12 Volt, New**
1955 1956 1957
B14547C 271.38 Each
- Window Motor, 6 Volt, New**
1955
B14553B 271.38 Each
- Power Seat Coupling**
1955 1956 1957
B23279A 11.95 Each

- Power Window Transmission Gear Kit**
1955 1956 1957
B23395AK 30.00 Kit
- Power Window Or Seat Motor Coupler**
1955 1956 1957
1955/60 Window Motor,
1961/66 Seat Motor
B23440A 3.09 Each
- Power Seat Worm Gear Tube Kit**
1955 1956 1957
B60477A 15.08 Each
- Power Seat Assist Spring**
1955 1956 1957
B61828A 10.65 Each

POWER WINDOW AND SEAT WIRES

- Power Window Wire**
1955
Right Side
B14630A 60.20 Each
- Power Window Wire**
1956
Right Side
B14630B 60.20 Each
- Power Window Wire**
1957
Right Side
B14630C 60.20 Each
- Power Window And Seat Wire**
1957
Left Side
B14631B 84.50 Each
- Power Window Wire**
1957
Left Side
B14631F 64.30 Each
- Power Window And Seat Wire**
1956
Left Side
B14631H 84.50 Each
- Power Window Wire**
1956
Left Side
B14631I 64.30 Each

- Power Window And Seat Wire**
1955
Left Side
B14631J 80.83 Each
- Power Seat To Dash Wire**
1955
B14643D 74.40 Each
- Power Seat To Dash Wire**
1956 1957
B14643E 74.40 Each
- Window Safety Relay Wire**
1956 1957
B14679B 31.23 Each
- Power Seat Wire**
1957
Left Side
B14689A 40.41 Each
- Power Seat Wire**
1955 1956
Left Side
B14689B 36.24 Each
- Power Seat Power Feed**
1957
Dial-O-Matic Seat
B14774A 89.70 Each

Big Selection of Parts! Whether it's a hard to find part or a standard Thunderbird replacement part, Larry's has what you're looking for. Our inventory of parts is concours-quality. For fast service, give us a call. Our parts specialists are here to assist with your restoration needs!

DOOR WIRING GUIDES

- Door Wiring Guides**
1955 1956 1957
Power Window and Seat Wires,
Right Side
B20768A 35.02 Each
- Door Wiring Guides**
1955 1956 1957
Power Window and Seat Wires,
Left Side
B20769A 35.02 Each

HARDWARE FOR THIS SECTION

- Power Window Wire Channel To Door**
1955 1956 1957
DHK5010 0.52 Each
- Power Seat Gear Clevis Pins And Clips**
1955 1956 1957
DHK6022 5.60 Each

NOSE PANEL AREA

Nose Panel

1955 1956 1957
A8214A.....480.15 Each

Upper Grill Reinforcement Panel

1955 1956 1957
A8223A..... 173.60 Each

FENDER PANELS

Top Of Fender / Lamp Bucket Flange

1955 1956 1957
Left Side
B16005I..... 175.23 Each

Top Of Fender / Lamp Bucket Flange

1955 1956 1957
Right Side
B16005J..... 175.23 Each

Fender At Parklight

1955 1956
Right
DBP3043.....146.13 Each

Fender At Parklight

1957
Right
DBP3044.....116.73 Each

Fender At Parklight

1957
Left
DBP3045.....116.07 Each

Fender At Parklight

1955 1956
Right
DBP3046..... 148.63 Each

Fender Lower Rear

1955 1956 1957
Right
DBP3047.....65.13 Each

Fender Lower Rear

1955 1956 1957
Left
DBP3048..... 82.67 Each

Front Fender, Rear

1956 1957
Right Side
DBP3063.....455.91 Each

Front Fender, Rear

1955
Left Side
DBP3064.....409.15 Each

Front Fender, Rear

1955
Rear Right
DBP3065.....409.15 Each

Front Fender, Rear

1956 1957
Rear Right
DBP3066..... 455.91 Each

SPLASH SHIELDS AND SEALS

Fender Upper Splash Shield Seal

1956 1957
B16102A..... 5.36 Each

Fender Rear Splash Shield

1956 1957
Right Side
B16102F..... 52.86 Each

Fender Front Splash Shield

1955 1956 1957
Right Side
B16102G..... 12.22 Each

Fender Front Splash Shield

1955 1956 1957
Left Side
B16103E..... 12.22 Each

Fender Rear Splash Shield

1956 1957
Left Side
B16103G..... 52.86 Each

Fender Rear Splash Shield Seal

1956 1957
B16110BK.....7.40 Pair

Fender Rear Splash Shield Strap

1956 1957
B16112A..... 6.50 Each

Fender Apron Shield Seal

1955 1956 1957
B16240A..... 6.44 Each

Fender Front Splash Shield Seal

1955 1956 1957
B16254DK..... 4.40 Pair

FENDER APRON

Fender To Apron Brace

1955 1956 1957
B16222A.....7.52 Each

Fender Apron Center


1955 1956 1957
Right Side
DBP3008.....124.42 Each

Fender Apron Center


1955 1956 1957
Left Side
DBP3009.....124.42 Each

Fender Apron Shield


1955 1956 1957
DBP3042..... 23.30 Each




A8218A




A8259C




B16098E




B16228M




B16237A




B25662A



B25666A



B42550A



B16229A

NOSE AND FENDER EMBLEMS

Nose Panel Nameplate
1956 1957
A8218A.....11.99 Each

Nose Panel Nameplate Bezel
1956 1957
A8259C.....19.47 Each

Thunderbird Script
1957
1957-1962 Fender Or Door
Except 1960, 1958-1960
Spare Wheel Carrier
B16098E..... 29.95 Each

Fender Hash Mark Emblem
1955 1956 1957
Right Side
B16228M..... 42.22 Each

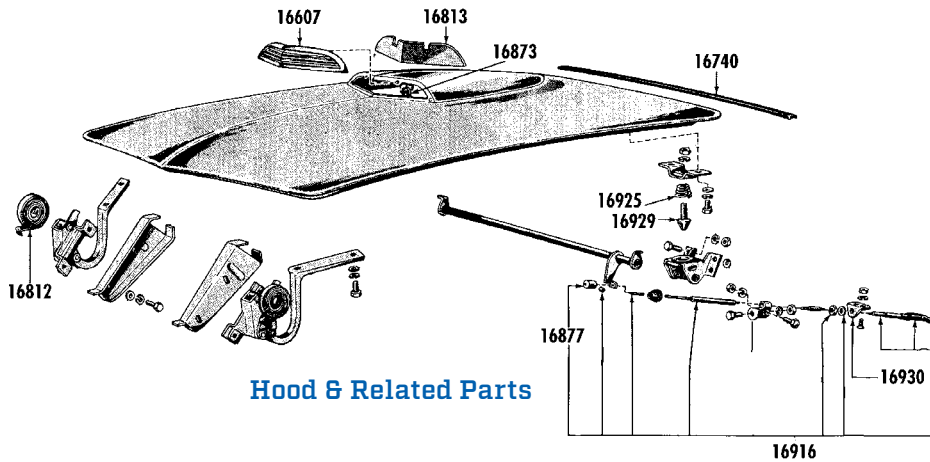
Fender Hash Mark Emblem
1955 1956 1957
Left Side
B16229A..... 42.22 Each

Fender V8 Emblem
1955
B16237A..... 25.02 Each

Ford Crest Medallion
1955 1956
1955 Nose Panel, Gas Door,
And Hard Top; 1956 Fender
B25662A..... 16.95 Each

Ford Crest Medallion Retainer
1955 1956
1956 Nose Panel, Gas Door,
And Hard Top; 1956 Fender
B25666A.....17.50 Each

Cross Flags
1955
B42550A..... 25.96 Each



Hood & Related Parts



HOOD
B16607B
Hood Grille
1955 1956 1957
B16607B..... 73.40 Each

Hood Anti Rattle Pad Set
1955 1956 1957
B16613B..... 7.00 Set

Hood Latch Pin
1955 1956 1957
B16700B..... 12.46 Each

Hood Hinge Spring
1955 1956 1957
B16812B..... 11.62 Each

Hood Block-Off Plate
1955 1956 1957
B16813A..... 8.91 Each

Hood Block-Off Plate Set
1955 1956 1957
B16813BK..... 14.00 Kit

Hood Blockoff Plate Clip
1955 1956 1957
B16873A..... 0.81 Each

Hood Release Cable Clamp
1955 1956 1957
B16877A..... 5.90 Each

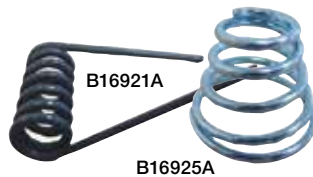
Hood Cable Firewall Bracket
1955 1956 1957
B16907A..... 15.38 Each

Hood Pull Cable Kit
1957
With Black Dash Bracket
B16916AK..... 79.00 Kit

Hood Pull Cable Kit
1955 1956
With Chrome Dash Bracket
B16916BK..... 90.00 Kit

Hood Pull Handle And Cable
1955 1956 1957
B16916E..... 45.00 Each

Hood Catch Or Spare Tire Lever Spring
1955 1956 1957
1955/57 Hood Catch Spring,
1956 Spare Tire Lever
B16921A..... 11.05 Each



Hood Pop Up Spring
1955 1956 1957
B16925A..... 5.43 Each

Hood Lock Dowel
1955 1956 1957
B16929B..... 11.69 Each

Hood Release Cable Bracket
1957
B16930A..... 9.95 Each

Hood Release Cable Bracket
1955 1956
B16930B..... 20.91 Each

HOOD PADS AND BUMPERS

Hood Pad With Drive Nails
1956 1957
B16740AK..... 14.00 Each

Hood Pad Drive Nail
1955 1956 1957
B16740C..... 0.15 Each

Hood Pad With Drive Nails
1955
B16740GK..... 8.30 Each



Hood Bumper Set
1956
B16758DK..... 2.70 Each

Hood Bumper Set
1957
B16758MK..... 2.80 Each

HARDWARE FOR THIS SECTION

Inner Fender Apron Grommet
1955 1956 1957
B14651A..... 4.93 Each

Fender Emblem Nut
1955 1956 1957
Hash Marks And V8 Emblems
B16230A..... 0.13 Each

Screw
1955 1956 1957
Headlight Door
CSA32948..... 0.27 Each

Park Lamp Lens To Body
1955 1956
DHK2002..... 2.37 Each

Crest Emblem And Cross Flag Hardware
1955 1956
DHK2005..... 1.04 Each

Headlamp Bucket And Door
1955 1956 1957
DHK2008..... 4.78 Each

Fender Support Brackets
1955 1956 1957
DHK2010..... 3.71 Each

Hash Marks To Front Fender
1955 1956 1957
DHK2011..... 2.37 Each

Hood Emblem To Hood
1955 1956 1957
DHK2012..... 4.26 Each

Hood Locks, Original Nuts
1955 1956 1957
DHK2013..... 2.37 Each

Hood Locks To Firewall Washer
1955 1956 1957
DHK2014..... 2.67 Each

Latch Pin Brackets To Hood
1955 1956 1957
DHK2015..... 1.92 Each

Hood Pad To Body Nails
1955 1956 1957
DHK2016..... 1.79 Each

Hood Hinge To Bracket
1955 1956 1957
DHK2017..... 2.57 Each

Hood To Hinges
1955 1956 1957
DHK2018..... 1.92 Each

Hood Latch Pins To Brackets
1955 1956 1957
DHK2020..... 0.65 Each

Thunderbird Script On Fender
1957
DHK2026..... 2.67 Each

Apron Shields To Aprons
1955 1956 1957
DHK3049..... 2.11 Each

Lower Splash Shield To Apron
1955 1956 1957
DHK3050..... 4.97 Each

Side Vent Spacer Duct To Fender
1956 1957
DHK3061..... 2.67 Each

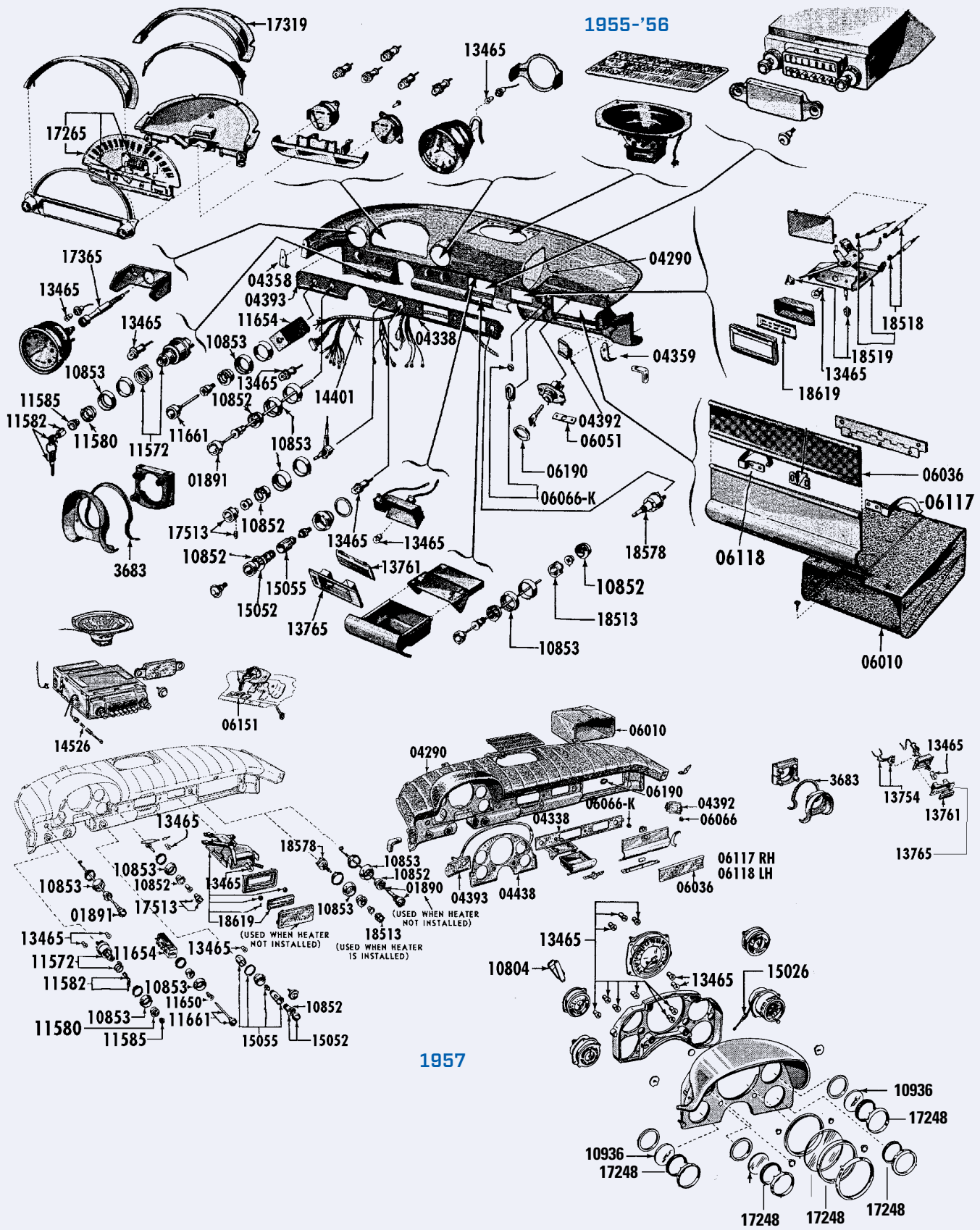
Splash Shields To Fender
1956 1957
DHK3063..... 11.99 Each

Washer Jets To Cowl
1955 1956 1957
DHK4026..... 0.78 Each

Washer Jets To Cowl
1955 1956 1957
DHK4027..... 0.78 Each

Side Vent Hinge To Door And Body
1956 1957
DHK4030..... 3.44 Each

Data Plate Rivets
1955 1956 1957
DHK5026..... 4.40 Pair





A9275F

FUEL

Fuel Sender Float

1955 1956
A9202B..... 10.02 Each

Fuel Sender Unit

1956
A9275A..... 69.56 Each

Fuel Sender Unit

1955
A9275F..... 83.75 Each

Fuel Sender

1957
A9275G..... 48.75 Each

Fuel Gauge And Sender Kit

1955 1956
12 Volt
A9280A..... 162.77 Each

Fuel Gauge

1957
A9305G..... 43.42 Each

TEMPERATURE

Temperature Gauge, 6 Volt

1955
B10883A..... 68.00 Each

Temperature Gauge, 12 Volt

1955 1956
B10883B..... 95.00 Each

Temperature Gauge, 12 Volt

1957
B10883E..... 104.00 Each

Temperature Sender, 6 Volt

1955
B10884A..... 75.00 Each

Temperature Sender, 12 Volt

1957
B10884B..... 21.20 Each

Temperature Sender, 12 Volt

1956
B10884C..... 75.00 Each

Temperature Gauge And

Sender Kit, 12 Volt

1956
B10885BK..... 170.00 Each



B10883A



B10884A



A10884C

Temperature Gauge And

Sender Kit, 6 Volt

1955
B10885CK..... 140.00 Each

Temperature Sender Adapter

1957
B10911A..... 16.70 Each

Temperature Sender Adapter

1955 1956
B10911B..... 16.70 Each

Follow Us On Facebook

Check out the images, videos and parts
at [facebook.com/larrystbird](https://www.facebook.com/larrystbird)

OIL PRESSURE SENDER

Oil Pressure Sender

1955 1956 1957
With Gauge
A9278A..... 7.10 Each

INSTRUMENT VOLTAGE REGULATOR

Instrument Voltage Regulator

1957
B10804E..... 29.23 Each

INSTRUMENT PANEL GROUND WIRE

Instrument Panel Ground Wire

1955 1956
B14590A..... 10.52 Each



B17265A



B17361C



B17362A

GAUGE BEZELS, LENSES, AND SEALS

Gauge Bezels, Chrome, Set Of 5

1957
B10876A..... 103.12 Set

Temperature, Oil, Tach Gauge Lens

1957
B10936A..... 3.17 Each

Speedometer Lens

1957
B10936B..... 5.85 Each

Speedometer Trim Ring Seal

1957
16 Inch
B17248A..... 0.99 Each

Small Instrument Ring Seal

1957
8 Inch
B17248B..... 1.30 Each

Speedometer Face

1955 1956
B17265A..... 59.31 Each

Tachometer Face

1955 1956
B17361C..... 30.39 Each

Clock Face

1955 1956
B17362A..... 30.39 Each

Clock Face

1957
B18374B..... 12.47 Each



B17319A

SPEEDOMETER

Speedometer Cable Grommet

1955 1956 1957
Ford-O-Matic Transmission
B01694A.....1.47 Each

Speedometer Cable

1955 1956
1955 All, 1956 Without
Overdrive
B17260C..... 28.31 Each

Speedometer Cable

1957
Automatic Transmission
B17260D..... 32.50 Each

Speedometer Cable

1956 1957
1956 With Overdrive; 1957
292 With Overdrive; 1957 312
Without Overdrive
B17260E..... 91.85 Each

Speedometer Driven Gear, 19 Tooth

1957
Automatic Transmission
B17271I.....23.30 Each

Speedometer Angle Drive

1955 1956 1957
B17279A..... 339.01 Each

Speedometer Gear Retaining Clip

1957
B17292B..... 1.09 Each

Speedometer Cable O-Ring Seal

1955 1956 1957
B17298A..... 3.22 Each

Speedometer Dome Lens

1955 1956
.....30.90 Each

Speedometer Driven Gear, 20 Tooth

1955 1956
20 Tooth, 1955/56 All; 1957
Manual Transmission Without
Overdrive
B17322D.....23.30 Each

TACHOMETER

Tach Cable Clip

1955 1956 1957
At Firewall
B14450A..... 1.55 Each

Tachometer Needle

1955 1956
B17361A.....12.78 Each

Tachometer Cable Bracket

1955
On Engine
B17361B.....12.78 Each

Tachometer Cable

1955
B17365A..... 83.50 Each

Tachometer Cable

1956 1957
B17365B..... 83.50 Each

Tachometer Driven Gear

1955 1956 1957
B17374A..... 73.90 Each

Tachometer Cable Housing O-Ring

1955 1956 1957
B17383A..... 0.59 Each

Green Plastic For
Directional Signals
And Red Plastic For
Generator And Oil
Lights; Specify Year
When Ordering (4 pcs).



INSTRUMENT JEWEL KITS

Turn Signal Indicator Bezel

1955 1956
B17314A..... 15.03 Pair

Turn Signal Jewel Washers

1955 1956
B17315A..... 10.02 Pair

Instrument Jewel Kit

1955 1956
DJK01..... 5.75 Set

Instrument Jewel Kit

1957
DJK02.....7.75 Set

Instrument Paint, Red

1955 1956 1957
DPT18..... 4.29 Each

CLOCK

Clock, Rebuild

1956
B18374A..... 198.00 Each

Clock Core Fee

1956
B18374AC..... 150.00 Each

Clock, Rebuild

1957
B18374F..... 198.00 Each

Clock Core Fee

1957
B18374FC..... 150.00 Each

Clock, Rebuild

1955
B18374G..... 198.00 Each

Clock Core Fee

1955
B18374GC..... 150.00 Each



Remove your temperature
sensor adapter easily and
efficiently with this tool!

TOOLS

Temperature Sensor Adapter Tool, 3/8 Inch Thread

1955 1956
DTL12..... 26.72 Each

Temperature Sensor Adapter Tool, 1/4 Inch Thread

1957
DTL13..... 26.72 Each

HARDWARE FOR THIS SECTION

Instrument Loom Clip Set

1957
B14585A..... 8.48 Each

Cluster Retainer Set

1955 1956
B17310A..... 14.63 Set

Instrument Cluster Trim To Dash

1957
DHK4034.....2.21 Each

VACUUM LINES

Vacuum Line Clips, Pair
1955 1956 1957
At Intake Manifold
A9156R..... 6.34 Pair

Engine Fuel / Vacuum Line Set, Original OEM Steel Type
1955
A9160A..... 78.00 Set

Fuel / Vacuum Line Set, Stainless
1957
Single Carburetor
A9160B..... 68.12 Set

Engine Fuel / Vacuum Line Set, Original OEM Steel Type
1957
Dual Carburetor
A9160D..... 58.45 Set

Engine Fuel / Vacuum Line Set, Stainless
1957
Dual Carburetor
A9160E..... 77.66 Set

Engine Fuel / Vacuum Line Set, Original OEM Steel Type
1957
Single Carburetor
A9160F..... 84.47 Set

Engine Fuel / Vacuum Line Set, Stainless
1956
A9160G..... 60.77 Set

Engine Fuel / Vacuum Line Set, Stainless
1955
A9160H..... 47.09 Set

Engine Fuel / Vacuum Line Set, Original OEM Steel Type
1956
A9160I..... 106.05 Set



*Kits include the chrome bezel, bezel seals & nuts, wiper arms & blades. All components are identical reproductions of the originals and the blades qualify for the CTCI Excellence in Authenticity Award.

WIPER ARM PARTS

Wiper Arm Retaining Plate And Spring
1955 1956 1957
B17450A..... 9.94 Each

***Windshield Wiper Arm Kit**
1955 1956 1957
From Late 1955
B17500AK..... 195.00 Kit

***Windshield Wiper Arm Kit**
1955
Early 1955
B17500BK..... 194.00 Kit

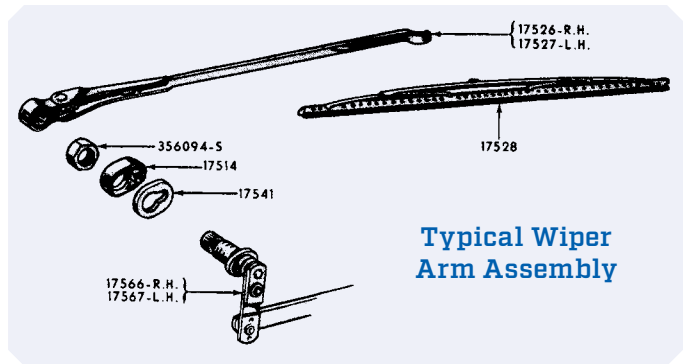
Wiper Arm Bezel Set
1955 1956 1957
B17514C..... 25.63 Pair

Wiper Arm, Right Side
1955 1956 1957
From Late 1955, Exact
Reproduction
B17526C..... 36.77 Each

Wiper Arm, Right Side
1955
Early 1955, Exact Reproduction
B17526D..... 35.00 Each

Wiper Arm, Left Side
1955 1956 1957
From Late 1955, Exact
Reproduction
B17527A..... 35.00 Each

Wiper Arm, Left Side
1955
Early 1955, Exact Reproduction
B17527B..... 35.00 Each



Typical Wiper Arm Assembly

Wiper Pivot Gasket
1955 1956 1957
B17541A..... 0.98 Each

Wiper Arm Link Grommet
1955 1956 1957
B17562A..... 1.69 Each

*Convert your old vacuum wipers to Electric. There are no modifications to be made to your car! The whole assembly bolts on where your old wiper motor mounted. Your old cable type switch is replaced with an electric two-speed switch. Kit comes with complete detailed instructions and schematic diagrams showing you every step.

WIPER MOTORS

Wiper / Heater Switch Nut
1955 1956
1955/57 Heater Switch,
1955/56 Wiper
B13753A..... 15.13 Each

Wiper Motor Switch
1955 1956 1957
For Vacuum Wiper Motor
B17470A..... 69.76 Each

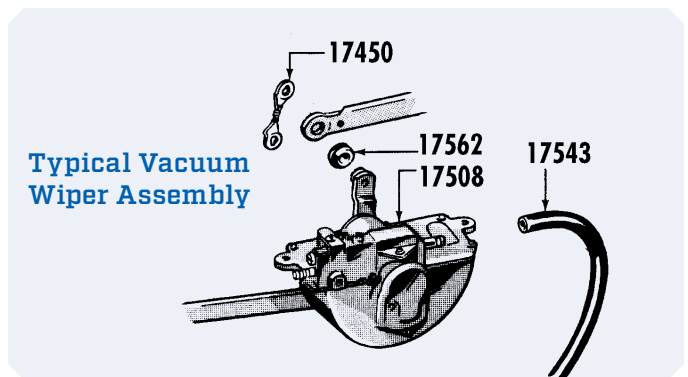
Vacuum Wiper Motor, Rebuild
1955 1956 1957
B17508M..... 141.95 Each

Vacuum Wiper Motor Core Fee
1955 1956 1957
B17508MC..... 100.00 Each

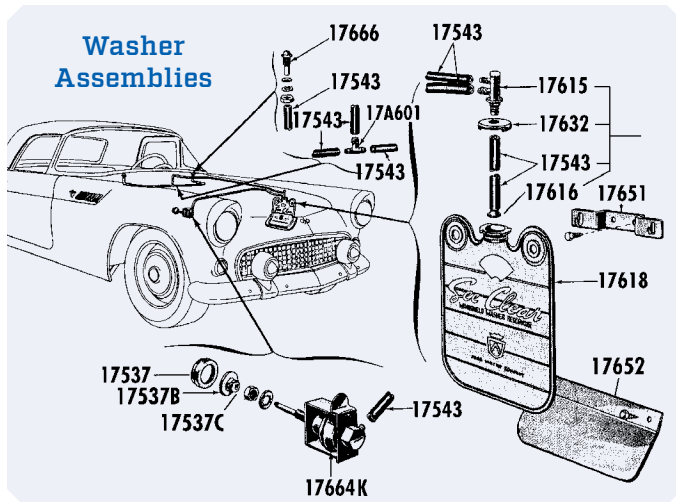
***Electric Wiper Motor Kit, 12 Volt**
1955 1956 1957
B17509I..... 345.00 Each

Wiper Switch Nut
1957
B17512D..... 15.13 Each

Radio Or Wiper Knob, For D-Shaft
1955 1956 1957
B18817C..... 17.47 Each



Typical Vacuum Wiper Assembly



**Qualifies for
CTCI Excellence in
Authenticity Award!*

WIPER BLADES

***Wiper Blade With Retainer, Original Type**
1955 1956 1957
From Late 1955, OEM
B17528C..... 42.02 Each

Wiper Blade Insert
1955 1956 1957
B17528F.....8.18 Each

***Wiper Blade With Retainer**
1955
Early 1955
B17528G..... 42.02 Each

Wiper Blade With Retainer
1955 1956 1957
From Late 1955, Replacement
B17528H..... 29.25 Each



**Give us a call if you
can't find the parts
you need.**

WINDSHIELD WASHER SYSTEM

Windshield Washer Pedal Pad
1955 1956 1957
B17537A.....7.45 Each

Windshield Washer Pedal
1955 1956 1957
B17537B..... 12.46 Each

Retaining Clip For Washer Pump Pedal
1955 1956 1957
B17537C..... 1.25 Each

Vacuum Hose Set
1955 1956 1957
B17543AK.....7.70 Each

Windshield Washer Hose Set
1955 1956 1957
B17543BK..... 9.40 Each

Windshield Washer Bag Hose
1955 1956 1957
B17543G.....0.65 Each

**These kits include the washer bag, spray nozzles, gaskets, bag holder & shield, hoses, bag cap, tee, strainer and hardware.*

***Windshield Washer Bag And Nozzle Kit**
1957
B17600AK..... 129.00 Kit

***Windshield Washer Bag And Nozzle Kit**
1955
B17600BK.....121.00 Kit

***Windshield Washer Bag And Nozzle Kit**
1956
B17600CK..... 129.00 Kit

Windshield Washer Hose Tee
1955 1956 1957
B17601A..... 1.59 Each

Windshield Washer Bag Fitting
1955 1956 1957
At Washer Bag
B17615A..... 16.50 Each

Windshield Washer Filter
1955 1956 1957
At Washer Bag
B17616A..... 4.88 Each

Windshield Washer Tee Kit
1955 1956 1957
B17617AK.....35.00 Kit

Windshield Washer Bag
1956
B17618E..... 32.57 Each

Windshield Washer Bag
1955
B17618J..... 31.99 Each

Windshield Washer Bag
1957
B17618N..... 32.57 Each

Windshield Washer Bag Cap
1955 1956 1957
B17632A..... 13.85 Each

Windshield Washer Bag Bracket
1955 1956 1957
B17651B..... 10.40 Each

Windshield Washer Bag Plate
1955 1956 1957
B17652A..... 6.50 Each

Windshield Washer Pump
1955 1956
B17664F.....96.18 Each

Washer Pump Diaphragm Spring
1955 1956 1957
B17664G..... 0.62 Each

Washer Nozzle Gasket
1955 1956 1957
B17665A..... 1.63 Each

Windshield Washer Nozzles
1955 1956 1957
B17666A..... 28.06 Set



HARDWARE FOR THIS SECTION

Nut
1955 1956 1957
Wiper Transmission
CSB356094..... 6.26 Each

Grommet
1955 1956 1957
Washer Hose At Firewall
CSB373195..... 0.49 Each

Washer Bag Bracket And Shield
1955 1956 1957
DHK3052..... 1.04 Each

Washer Bag Bracket And Shield
1955 1956 1957
DHK3053..... 0.85 Each

Heater Hose Bracket To Apron
1955 1956 1957
DHK3055..... 0.59 Each

Washer Jets To Cowl
1955 1956 1957
DHK4026..... 0.78 Each

Washer Jets To Cowl
1955 1956 1957
DHK4027..... 0.78 Each



B17696H



B17696X



B17724D

OUTSIDE MIRRORS

Outside Mirror, 1 Hole Base
1955
B17696H..... 48.25 Each

Outside Mirror, 2 Hole Base
1956 1957
B17696X..... 48.25 Each

Outside Mirror Pad, Rubber
1955 1956 1957
B17724D.....7.97 Each

Outside Mirror Pad, Paper
1955 1956 1957
1958/60 For Use With
B17696C
B17724I..... 1.05 Each



We have gone to great lengths to bring to you a high-quality reproduction of the original mirror found in your Thunderbird. Larry's mirror features deep lustre chrome plating, with easy attachment to interior mirror bracket (sold separately.)

INSIDE MIRRORS

Inside Mirror And Bracket
1955 1956 1957
B17700H..... 43.00 Each

Inside Mirror
1955 1956 1957
B17700J 22.62 Each

Inside Mirror Bracket
1955 1956 1957
B17702A.....21.13 Each

HARDWARE FOR THIS SECTION

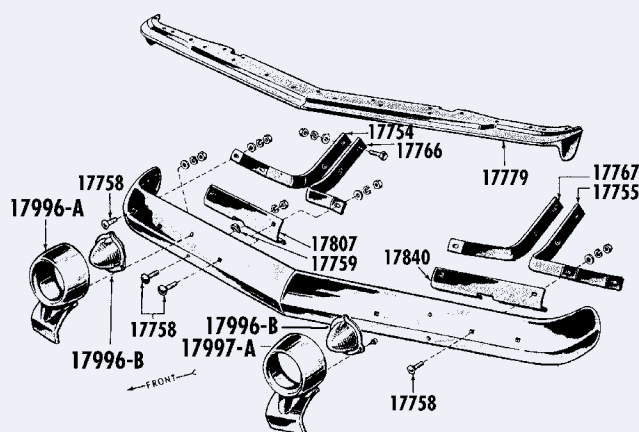
Screw
1955 1956 1957
Outside Mirror
CSA52361 0.12 Each

Rearview Mirror Screws
1955 1956 1957
DHK4025..... 1.04 Each

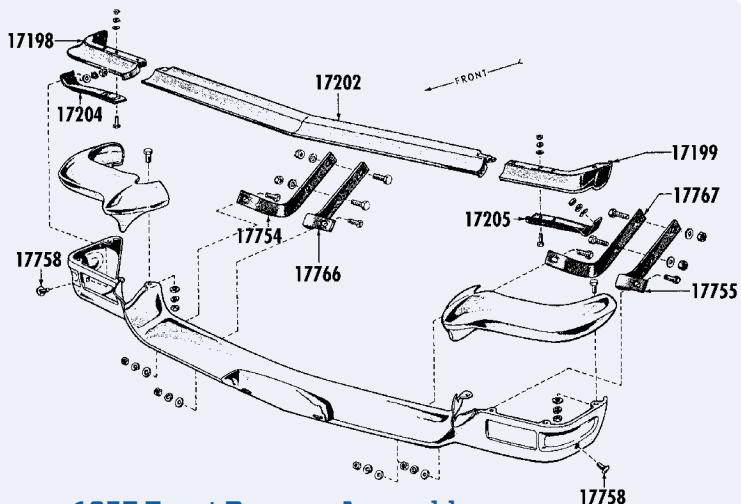
Outside Mirror To Door
1955
DHK5004.....0.52 Each

Outside Mirror To Door
1956 1957
DHK5028.....0.52 Each

Receive Gift Certificates for Your Future Purchases!
Learn how to qualify for \$30 and \$50 gift certificates. Visit our website at www.larrystbird.com for more information.



1955-'56 Front Bumper Assembly



1957 Front Bumper Assembly

BUMPER BRACKETS

FRONT

Front Bumper Bracket Spacer 1957

B17200A..... 16.28 Each

Front Bumper End Bracket

1957
Right Side

B17204A..... 63.04 Each

Front Bumper End Bracket

1957

Left Side
B17205A..... 63.04 Each

Front Bumper Bracket, Outer

1955 1956
Outer Right Side

B17754C..... 63.04 Each

Front Bumper Bracket, Outer

1957
Outer Right Side

B17754D..... 63.04 Each

Front Bumper Bracket, Outer

1955 1956
Outer Left Side

B17755B..... 63.04 Each

Front Bumper Bracket, Outer

1957
Outer Left Side

B17755C..... 63.04 Each

Front Bumper Bracket, Inner

1957
Right Side

B17766A..... 63.04 Each

Front Bumper Bracket, Inner

1955 1956
Right Side

B17766E..... 63.04 Each

Front Bumper Bracket, Inner

1955 1956
Left Side

B17767A..... 63.04 Each

Front Bumper Bracket, Inner

1957
Left Side

B17767B..... 63.04 Each

REAR

Rear Bumper End Bracket

1957
Right Side

B17228A..... 63.04 Each

Rear Bumper End Bracket

1957
Left Side

B17229A..... 63.04 Each

Rear Bumper To Crossmember Bracket

1956
Right Side

B17668A..... 46.68 Each

Rear Bumper To Crossmember Bracket

1956
Left Side

B17669A..... 46.68 Each

Rear Crossmember Outer Bracket

1956
Right Hand

B17674A..... 24.47 Each

Rear Crossmember Outer Bracket

1956
Left Hand

B17675A..... 24.47 Each

Rear Bumper Bracket, Inner

1956
Right Side

B17787A..... 63.04 Each

Rear Bumper Bracket, Inner

1957
Right Side

B17787B..... 63.04 Each

Rear Bumper Bracket, Inner

1955
Right Side

B17787C..... 63.04 Each

Rear Bumper Bracket Set

1956

B17787D..... 492.65 Each

Rear Bumper Bracket, Inner

1957
Left Side

B17788A..... 63.04 Each

Rear Bumper Bracket, Inner

1955
Left Side

B17788B..... 63.04 Each

Rear Bumper Bracket, Inner

1956
Left Side

B17788C..... 63.04 Each

Rear Bumper Bracket, Outer

1956
Outer

B17789A..... 63.04 Each

Rear Bumper Bracket, Center

1957
Right Side

B17795A..... 74.32 Each

Rear Bumper Bracket, Center

1956
Right Side

B17795B..... 63.04 Each

Rear Bumper Bracket, Outer

1955
Right Side

B17795C..... 63.04 Each

Rear Bumper Bracket, Center

1956
Left Side

B17796A..... 63.04 Each

Rear Bumper Bracket, Center

1957
Left Side

B17796B..... 74.32 Each

Rear Bumper Bracket, Outer

1955
Left Side

B17796C..... 63.04 Each

LICENSE PLATE BRACKET

License Plate Bracket

1955 1956
Front

B17736A..... 17.54 Each

FRONT BUMPER

Front Bumper

1955 1956

B17757G..... 1,319.30 Each

BUMPER BOLTS

Bumper Bolt, Chrome

1955 1956 1957

B17758A..... 1.97 Each

Continued on the next page

Bumper Bolt, Long

1955 1956 1957
1 1/2 Inch
B17758E..... 1.94 Each

Bumper Bolt Kit

1957
B17759DK..... 13.00 Each

Bumper Bolt Kit

1955
B17759FK..... 95.00 Each

Bumper Bolt Kit

1956
B17759GK..... 64.00 Each

BUMPER GUARDS

Bumper Guard Sleeve And Spacer Kit

1955 1956
B17759EK..... 32.00 Each

Bumper Guards, Pair

1955 1956
Front Or Rear, Inserts Not Used
For Rear
B17984A..... 1,043.75 Each

Bumper Guard Insert

1955
Early 1955 Rear
B17984C..... 143.62 Each



Bumper Guard Insert

1955 1956
Front
B17996B..... 136.94 Each

JACKING PLATES

Jacking Plate, Front

1955 1956
Right Side
B17807C..... 46.68 Each

Jacking Plate, Front

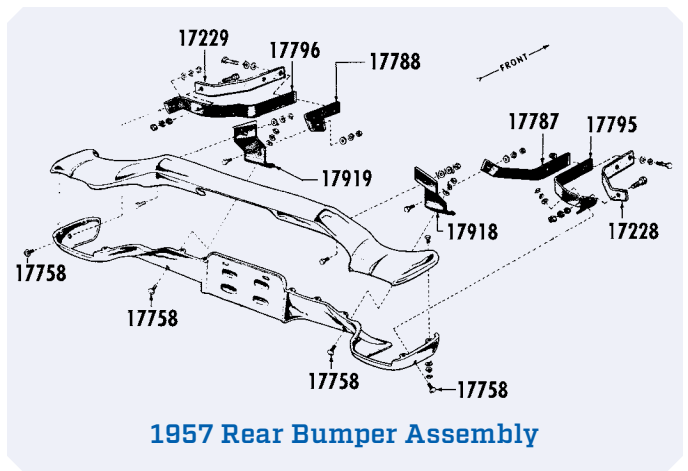
1955 1956
Left Side
B17840A..... 46.68 Each

Jacking Plate, Rear Bumper

1957
Right Side
B17918A..... 50.02 Each

Jacking Plate, Rear Bumper

1955
Right Side
B17918B..... 53.36 Each



1957 Rear Bumper Assembly

Jacking Plate, Rear Bumper

1956
B17918C..... 50.02 Each

Jacking Plate, Rear Bumper

1955
Left Side
B17919A..... 53.36 Each

Jacking Plate, Rear Bumper

1957
Left Side
B17919B..... 50.02 Each

REAR BUMPER STONE DEFLECTORS

Rear Bumper Stone Deflector

1957
B17808A..... 10.79 Each

Rear Bumper Stone Deflector

1956
B17808C..... 5.69 Each

REAR BUMPER

Rear Bumper

1955
B17906A..... 1,319.30 Each

HARDWARE FOR THIS SECTION

Exhaust Hangers To Bumperette

1955
DHK1000..... 1.46 Each

Exhaust Deflectors To Bumper

1956
DHK1021..... 8.65 Each

Exhaust Deflectors To Bumper

1957
DHK1024..... 14.43 Each

Front Bumper Braces To Car

1955 1956
DHK2003..... 17.88 Each

Front Bumper Braces To Car

1957
DHK2027..... 14.66 Each

Front Bumper Halves

1957
DHK2028..... 9.33 Each

Rear Bumper Braces To Car

1955
DHK9002..... 16.09 Each

Bullet Inserts

1955
DHK9003..... 3.67 Each

Rear Bumper Braces To Car

1956
DHK9014..... 15.41 Each

Rear Bumper Halves

1956
DHK9015..... 7.35 Each

Bullet Inserts

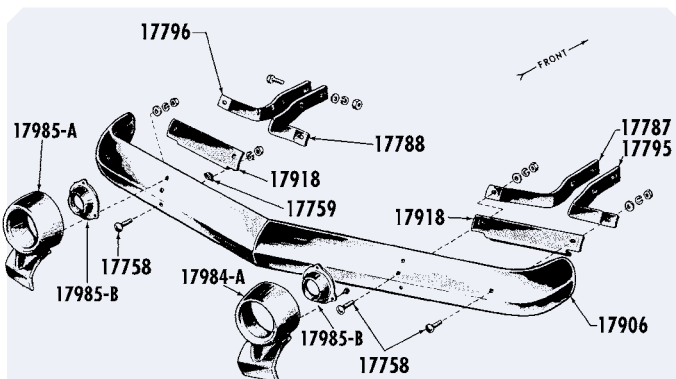
1956
DHK9016..... 1.85 Each

Rear Bumper Braces To Car

1957
DHK9021..... 11.73 Each

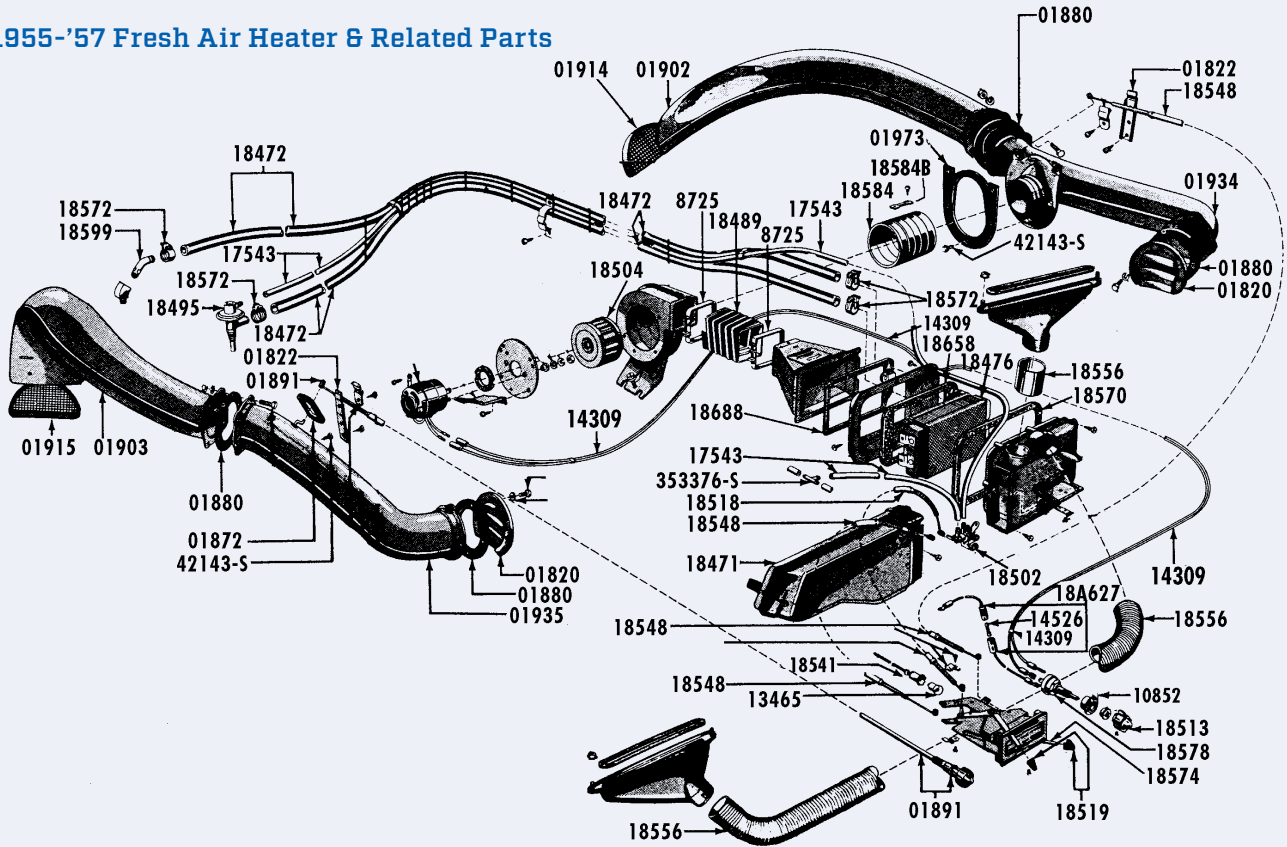
Rear Bumper Halves

1957
DHK9022..... 13.20 Each



1955 Rear Bumper Assembly

1955-'57 Fresh Air Heater & Related Parts



BELTS

V Belt

1956 1957
Fan, 4 Blade, Original
A8620P..... 24.98 Each

V Belt

1957
Fan, 4 Blade, Original, Late
1957
A8620S..... 24.98 Each

V Belt

1955 1956
Fan, 3 Blade, Original
A8620U 24.98 Each

FRESH AIR VENTILATION SYSTEM

Ventilation Register

1955 1956 1957
B01820A..... 12.97 Each

Vent Air Duct Flapper

1955 1956 1957
B01862A..... 24.22 Each

Vent Air Duct Damper Seal

1955 1956 1957
B01872A..... 1.30 Each

Vent Air Duct Gasket

1955 1956 1957
B01880A..... 1.63 Each

Vent Air Duct Gasket Set

1955 1956 1957
B01890BK..... 9.60 Set

Vent Air Duct

1955 1956 1957
Right Front
B01902A..... 192.05 Each

Vent Air Duct

1955 1956 1957
Left Front
B01903A..... 192.05 Each

Vent Air Duct Scoop, Metal

1955 1956 1957
Right
B01914A..... 99.37 Each

Vent Air Duct Scoop, Fiberglass

1955 1956 1957
Right
B01914B..... 125.25 Each

Vent Air Duct Scoop, Fiberglass

1955 1956 1957
Left
B01915A..... 125.25 Each

Vent Air Duct Screen

1955 1956 1957
B01915B..... 6.41 Each

Vent Air Duct Scoop, Metal

1955 1956 1957
Left
B01915C..... 99.37 Each

Vent Air Duct

1955 1956 1957
Right Rear
B01934B..... 245.49 Each

Vent Air Duct

1955 1956 1957
Left Rear
B01935A..... 245.49 Each

Vent Air Duct Gasket At Heater Inlet

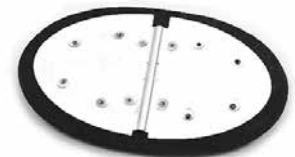
1955 1956 1957
B01973A..... 1.79 Each

Vent Air Duct Flapper Rod

1955 1956 1957
B02162A..... 9.94 Each



B01820A



B01862A



B02162A



B1890BK



Air Conditioning Install Kit
1956 1957
12 volt, R-134, Belt Not Included
B19551B..... 1,699.00 Each



COWL SIDE VENTILATION SYSTEM

- Fender Vent Box, Pair**
1956 1957
B02104A..... 283.90 Pair
- Vent Control Rod**
1956 1957
Right
B02128A..... 8.45 Each
- Vent Control Rod**
1956 1957
Left
B02129A..... 8.45 Each
- Vent Lever Knob**
1956 1957
B02145A..... 13.65 Each
- Vent Control Spring**
1956 1957
B02154A..... 14.45 Each
- Vent Door Seal**
1956 1957
Outer
B02158A..... 7.96 Each
- Vent Door Seal**
1956 1957
Inner
B02162B..... 1.95 Each

- Side Vent Control Rod Clip**
1956 1957
Right
B02164A..... 0.77 Each
- Side Vent Control Rod Clip**
1956 1957
Left
B02165A..... 0.77 Each
- Vent Seal**
1956 1957
Inner
B02166A..... 1.30 Each
- Side Vent Door Hinge**
1956 1957
B02176A..... 5.49 Each
- Side Vent Grille**
1956 1957
B02216A..... 34.74 Each
- Side Vent Screen**
1956 1957
Right
B02280A..... 7.43 Each
- Side Vent Screen**
1956 1957
Left
B02281A..... 7.43 Each



HEATER CONTROL SYSTEM

- Wiper / Heater Switch Nut**
1955 1956 1957
1955/57 Heater Switch, 1955/56
Wiper
B13753A..... 15.13 Each
- Heater Switch To Motor Wire**
1955
B14309A..... 16.37 Each
- Heater Switch To Motor Wire**
1956 1957
B14309B..... 18.29 Each
- Heater Switch Knob**
1955 1956 1957
B18513B..... 15.00 Each
- Heater Control Knob**
1956 1957
B18519B..... 12.78 Each
- Heater / Defroster Control Knob**
1955
B18519H..... 12.78 Each
- Heater / Defroster Control Face Housing**
1955 1956 1957
B18521A..... 33.40 Each
- Heater Light Wire And Socket**
1955 1956
B18541B..... 10.10 Each

- Heater Face Kit**
1955
B18549AK..... 114.00 Kit
- Heater Face Kit**
1956 1957
B18549BK..... 114.00 Kit
- Heater Face Clip**
1955 1956 1957
B18549C..... 10.10 Each
- Heater Control Bezel**
1955 1956 1957
B18550A..... 44.25 Each
- Heater Lower Control Arm**
1955 1956 1957
Lower
B18574A..... 17.03 Each
- Heater Upper Control Arm**
1955 1956 1957
Upper
B18575A..... 14.01 Each
- Heater Motor Switch**
1955 1956 1957
B18578C..... 29.95 Each
- Heater Control Face**
1955 1956 1957
B18619A..... 13.50 Each
- Heater Face Backing Plate**
1955 1956 1957
B18620B..... 5.01 Each

HEATER BOX

- Heater Box Renewal Kit**
1955 1956 1957
B18400AK..... 315.00 Kit
- Heater Funnel Insert**
1955 1956 1957
B18458A..... 8.85 Each
- Heater Core**
1955 1956 1957
B18476J..... 193.64 Each

- Heater Door Seal**
1955 1956 1957
B18480A..... 2.60 Each



Continued on the next page

Defroster Flapper Seal
1955 1956 1957
B18480B..... 4.06 Each

Heater To Firewall Gasket
1955 1956 1957
B18570A..... 2.60 Each

Heater Gasket Set
1955 1956 1957
B18570BK..... 6.50 Each

Heater Core To Case Gasket
1955 1956 1957
B18658A..... 2.11 Each

Heater Case To Blow Duct Gasket
1955 1956 1957
B18688A..... 1.79 Each

Heater Door Knob, Black
1955 1956 1957
B19203A..... 7.97 Each



B18471B

HEATER AIR CHAMBER

Heater Air Chamber
1955 1956 1957
B18471B..... 77.68 Each

HEATER HOSES AND CLAMPS

Heater Hose, 5/8 Inch ID, Per Foot
1955 1956 1957
B18472B..... 1.54 Feet



B18473BK

Heater Hose Clamp Set
1955 1956 1957
B18473BK..... 8.00 Each

Heater Hose On Apron Clamp
1955 1956 1957
B18481A..... 8.74 Each

Water Pump Heater Hose Elbow
1955 1956 1957
B18599D..... 16.70 Each

Banding Strap
1955 1956 1957
Heater Hose Or Plug Wires
B18954A..... 2.76 Each

HEATER AND DEFROSTER DUCTS AND CLAMPS

Air Conditioner / Heater Duct Clamp, Square
1955 1956 1957
A8725A..... 6.18 Each



A8725A



B18489A

Square Heater Duct
1955 1956 1957
B18489A..... 44.02 Each

Defroster Ducts To Dash Seal, Pair
1955 1956 1957
B18490B..... 13.91 Each

Defroster Hose, 2 1/2 Inch ID
1955 1956 1957
B18556B..... 28.95 Each

Defroster Hose, Short
1955 1956 1957
B18556E..... 6.01 Each

Round Heater Duct
1955 1956 1957
B18584A..... 11.69 Each

Round Duct Retaining Strap
1955 1956 1957
B18584C..... 1.57 Each

HEATER VALVES

Heater Hot Water Valve
1955 1956 1957
Like Original
B18495A..... 90.00 Each



B18495A

Heater Temperature Valve, Rebuild
1955 1956 1957
B18502A..... 108.55 Each

Heater Temperature Valve Core Fee
1955 1956 1957
B18502AC..... 75.00 Each

HEATER MOTOR AND FAN

Heater Fan, Squirrel Cage
1955 1956 1957
B18504A..... 41.75 Each

Heater Motor, 12 Volt
1956 1957
12 Volt, Counter Clock-Wise Rotation
B18527H..... 182.87 Each

Heater Motor Grommet
1955 1956 1957
B18528A..... 3.97 Each

Heater Blower Motor Mounting Plate
1955 1956 1957
B18568B..... 16.37 Each

Heater Motor Shield
1955 1956 1957
B18568D..... 18.72 Each

HEATER AND VENT CONTROL CABLES

Vent Control Cable Bracket
1955 1956 1957
B01822A..... 8.78 Each

Vent Control Bracket Clip
1955 1956 1957
B01822B..... 3.71 Each

Vent Control Cable and Knob
1955 1956 1957
Right
B01890A..... 49.75 Each

Vent Control Cable and Knob
1955 1956 1957
Left
B01891A..... 49.73 Each

Vent Control Cable
1955 1956 1957
Right Hand Side
B18518D..... 28.31 Each

Temperature Control Cable
1955 1956 1957
B18518L..... 16.62 Each

Heater Cable Clip
1955 1956 1957
B18548A..... 1.87 Each

Defroster Control Cable
1955 1956 1957
B18548B..... 16.62 Each

HARDWARE FOR THIS SECTION

Grommet
1955 1956 1957
Vent Cable At Firewall
CSB353626..... 2.93 Each

Fiberglass Ducts To Scoops And Aprons
1955 1956 1957
DHK3037..... 9.85 Each

Steel Ducts To Scoops And Aprons
1955 1956 1957
DHK3038..... 9.85 Each

Air Deflector Scoops To Body
1955 1956 1957
DHK3039..... 1.46 Each

Heater Hose Bracket To Apron
1955 1956 1957
DHK3055..... 0.59 Each

Heater Assembly To Apron
1955 1956 1957
DHK3056..... 1.46 Each

Heater Blower Plate To Housing
1955 1956 1957
DHK3057..... 0.72 Each

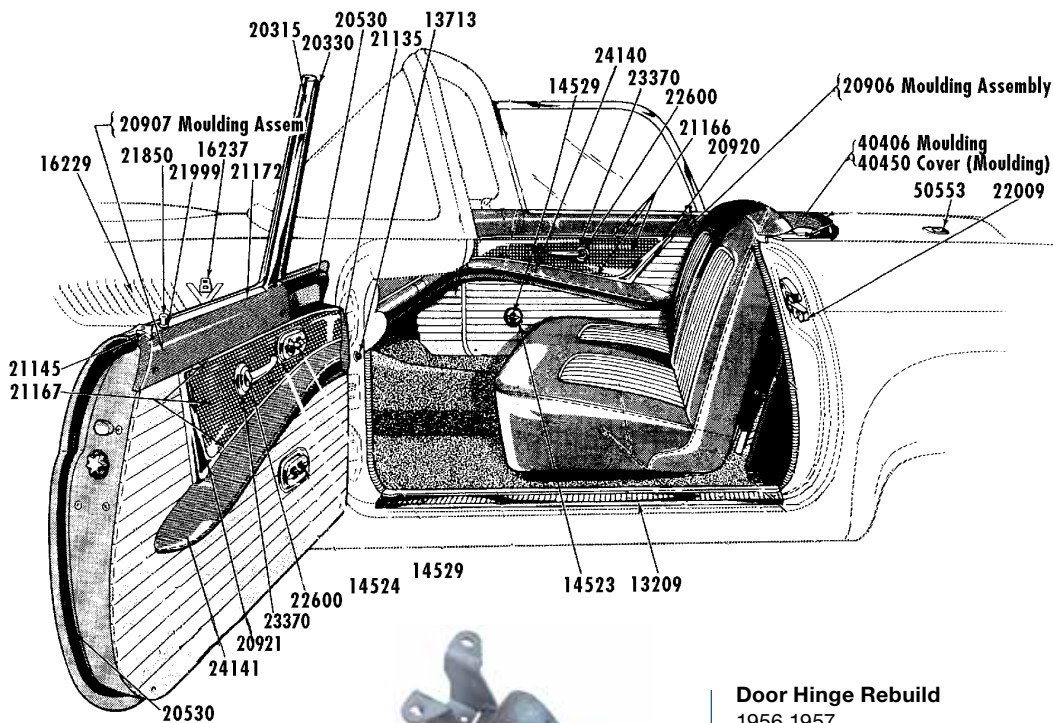
Side Vent Spacer Duct To Fender
1956 1957
DHK3061..... 2.67 Each

Fresh Air Cable Bracket
1955 1956 1957
DHK4009..... 0.78 Each

Heater Core To Housing To Firewall
1955 1956 1957
DHK4028..... 1.59 Each

Side Vent Hinge To Door And Body
1956 1957
DHK4030..... 3.44 Each

Inside Vent Grilles To Body
1956 1957
DHK4031..... 2.11 Each



DOOR JAMB COURTESY LAMP SWITCH

Door Jamb Courtesy Lamp Switch
 1955 1956 1957
 On Door Post
 B13713A 4.71 Each

STEP PLATES

When replacing your carpet and other upholstery items, you will want to install new step plates to finish off the job with complete attention to detail. Manufactured to exacting standards for an original appearance. Easy to install. A major item for proper restoration.



Step Plate, Right
 1955 1956 1957
 B13208AT 43.06 Each

Step Plate, Left
 1955 1956 1957
 B13209B 43.06 Each

DOOR HINGES AND CHECK ARMS

Door Hinge Rebuild
 1955
 B22810A 100.20 Each

Door Hinge Core Fee
 1955
 B22810AC 75.00 Each



DOOR SHELL PANELS

Door Garnish Rail
 1955 1956 1957
 Right Side
 B20906A 55.00 Each

Door Garnish Rail
 1955 1956 1957
 Left Side
 B20907A 55.00 Each

Garnish Rail Bracket
 1955 1956 1957
 B20922A 20.04 Each

Window Regulator Access Hole Cover Plate
 1957
 B23220A 14.63 Each



Door Hinge Rebuild
 1956 1957
 B22810F 100.20 Each

Door Hinge Core Fee
 1956 1957
 B22810FC 75.00 Each

Front Door Check Lever Arm
 1955 1956 1957
 B23504A 11.19 Each

Front Door Check Lever Arm Pin
 1955 1956 1957
 B23505A 4.55 Each

DOOR LATCHES

Door Latch Spring
 1955 1956 1957
 B21812E 5.78 Each

Front Door Latch, Rebuild
 1955
 Right Side
 B21812F 133.77 Each



Front Door Latch Core Fee
 1955
 B21812FC 150.00 Each

Door Latch, New
 1956 1957
 Right Side
 B21812G 101.75 Each

Front Door Latch Core Fee
 1956 1957
 B21812GC 150.00 Each

Front Door Latch, Rebuild
 1956 1957
 Right Side
 B21812I 133.77 Each

Front Door Latch, Rebuild
 1956 1957
 Left Side
 B21813A 133.77 Each

Door Latch, New
 1956 1957
 Left Side
 B21813B 101.75 Each

Front Door Latch Core Fee
 1956 1957
 B21813BC 150.00 Each

Front Door Latch, Rebuild
 1955
 Left Side
 B21813I 133.77 Each

Front Door Latch Core Fee
 1955
 B21813IC 150.00 Each



DOOR LATCH STRIKER PLATES

Door Latch Striker Plate With Insert

1956 1957
Right Side
B22008A 25.97 Each

Door Latch Striker Plate

1955
Right Side
B22008F 24.95 Each

Door Latch Striker Plate Kit

1955
B22008GK 60.00 Kit

Door Latch Striker Plate Kit

1956 1957
B22008HK 95.00 Kit

Door Latch Striker Plate

1955
Left Side
B22009A 24.95 Each

Door Latch Striker Plate With Insert

1956 1957
Left Side
B22009B 25.97 Each

Striker Auxiliary Plate

1956 1957
Right Side
B22014A 18.30 Each

Striker Auxiliary Plate

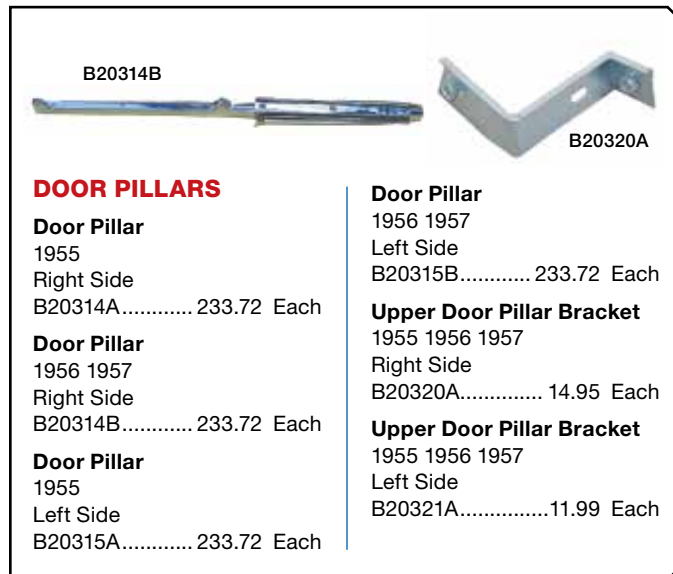
1956 1957
Left Side
B22015A 18.30 Each

Door Latch Striker Plate Insert

1956 1957
B22040A 7.64 Each

Door Latch Striker Plate Shim

1955 1956 1957
B22058C 2.67 Each



DOOR PILLARS

Door Pillar

1955
Right Side
B20314A 233.72 Each

Door Pillar

1956 1957
Right Side
B20314B 233.72 Each

Door Pillar

1955
Left Side
B20315A 233.72 Each

Door Pillar

1956 1957
Left Side
B20315B 233.72 Each

Upper Door Pillar Bracket

1955 1956 1957
Right Side
B20320A 14.95 Each

Upper Door Pillar Bracket

1955 1956 1957
Left Side
B20321A 11.99 Each



DOOR WEATHERSTRIPS

Door Weatherstrip Retainer

1955 1956 1957
B20125A 23.50 Each

Door Pillar Weatherstrip

1955 1956 1957
B20330A 3.09 Each

Door Weatherstrip

1955 1956 1957
Right Side
B20530X 35.00 Each

Door Weatherstrip

1955 1956 1957
Left Side
B20531A 35.00 Each

Door At Belt Weatherstrip

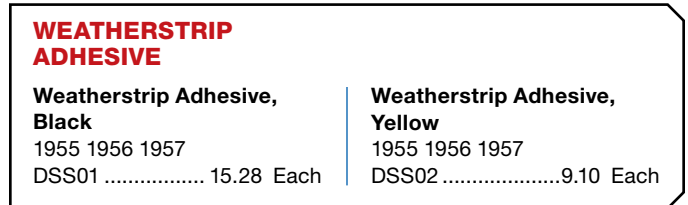
1955 1956 1957
B20570A 2.57 Each

Door Weatherstrip Retainer, Lock Side

1957
Right Side
B20572A 14.61 Each

Door Weatherstrip Retainer, Lock Side

1957
Left Side
B20573A 14.61 Each



WEATHERSTRIP ADHESIVE

Weatherstrip Adhesive, Black

1955 1956 1957
DSS01 15.28 Each

Weatherstrip Adhesive, Yellow

1955 1956 1957
DSS02 9.10 Each

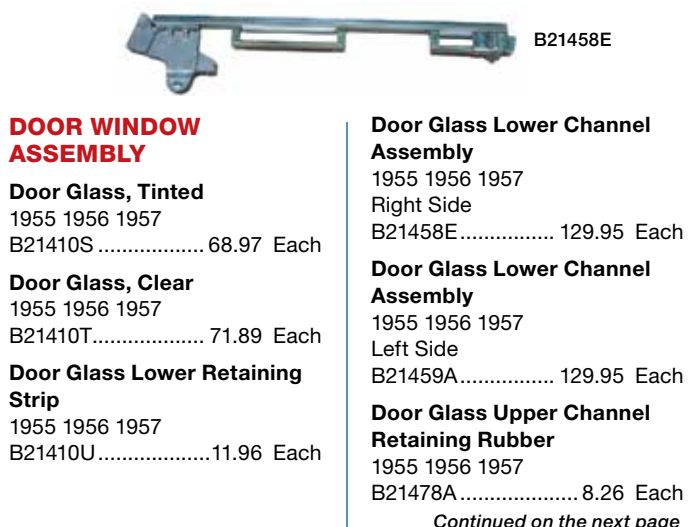


(Anti-Rattler)

CAT WHISKER SET

Cat Whisker Set

1955 1956 1957
Like Original
B21452C 124.96 Each



DOOR WINDOW ASSEMBLY

Door Glass, Tinted

1955 1956 1957
B21410S 68.97 Each

Door Glass, Clear

1955 1956 1957
B21410T 71.89 Each

Door Glass Lower Retaining Strip

1955 1956 1957
B21410U 11.96 Each

Door Glass Lower Channel Assembly

1955 1956 1957
Right Side
B21458E 129.95 Each

Door Glass Lower Channel Assembly

1955 1956 1957
Left Side
B21459A 129.95 Each

Door Glass Upper Channel Retaining Rubber

1955 1956 1957
B21478A 8.26 Each

Continued on the next page

Door Glass Rear Run Moleskin Lining

1955 1956 1957
B21508A..... 17.20 Each

Door Glass Front Run

1955 1956 1957
B21546A..... 79.95 Each

Lower Window Stop Bumper

1955 1956 1957
B21762A..... 2.20 Each

Upper Door Window Stop

1955 1956 1957
B21770A..... 3.34 Each



Door Glass Upper Stainless Moulding

1955 1956 1957
Right Side
B22224A..... 292.25 Each

Door Glass Upper Stainless Moulding

1955 1956 1957
Left Side
B22225A..... 292.25 Each

B23202C

B23203A

B23240A

B23318B

B23234C

WINDOW REGULATORS AND SCISSORS

Window Regulator
1955 1956 1957
Right Side, Manual Windows
B23202C 125.17 Each

Window Regulator
1955 1956 1957
Left Side, Manual Windows
B23203A..... 125.17 Each

Window Scissors
1957
Right Side, Manual Windows
B23234A..... 162.83 Each

Window Scissors
1955 1956
Right Side, Manual Windows
B23234C 162.83 Each

Window Scissors
1957
Left Side, Manual Windows
B23235A..... 162.83 Each

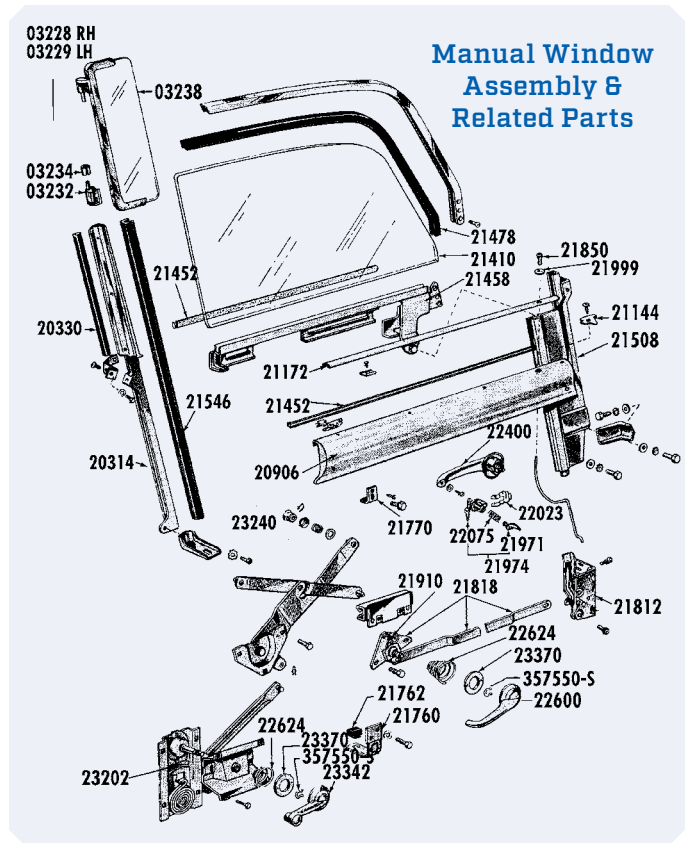
Window Scissors
1955 1956
Left Side, Manual Windows
B23235B 182.03 Each

Window Regulator Roller
1955 1956 1957
B23240A..... 2.25 Each

Window Roller, Metal
1955 1956 1957
B23240D 13.16 Each

Window Regulator Spring
1955 1956 1957
Power Windows
B23318A..... 8.40 Each

Window Regulator Spring
1955 1956 1957
Manual Windows
B23318B..... 6.63 Each



POWER WINDOW AND SEAT PARTS

Power Window Switch Plate
1955 1956 1957
Right Side
B14523A..... 4.88 Each

Power Window Switch Plate
1955 1956 1957
Left Side
B14524A..... 21.55 Each

Power Window Switch Housing
1955 1956 1957
Left Side
B14528M 48.85 Each

Power Window Switch, Male
1955 1956 1957
1956/57 Window, Male
Terminals
B14529F 40.30 Each

Power Window Or Seat Switch
1955 1956 1957
1955 Window, 1955/57 Power
Seat, Female Terminals
B14529H..... 30.88 Each

Power Window Switch Gasket
1955 1956 1957
Right Side
B14554A..... 3.30 Each

Continued on the next page



Power Seat Switch Gasket
1955 1956 1957
B14561A 6.83 Each

Power Window / Seat Switch Clip
1955 1956 1957
V Type
B14570A 3.25 Each

Power Window Switch Gasket
1955 1956 1957
Left Side
B14616A 6.18 Each

Power Seat Switch Housing
1955 1956 1957
B14685A 28.95 Each

Door Wiring Guide
1955 1956 1957
Power Window And Seat Wires,
Right Side
B20768A 35.02 Each

Door Wiring Guide
1955 1956 1957
Power Window And Seat Wires,
Left Side
B20769A 35.02 Each

Power Window Kit, 12 Volt
1956
With Existing Power Seat And
Manual Windows
B23208A 1,801.93 Each

Power Window Kit, 12 Volt
1956 1957
With Existing Power Seat And
Manual Or Power Windows
B23208B 1,100.53 Each

Power Window Kit, 12 Volt
1955
With Existing Power Windows
That Have Been Converted
From 6 Volt To 12 Volt
B23208C 1,100.53 Each

Power Window Kit, 12 Volt
1955 1957
Without Original Power
Windows Or Power Seat
B23208D 1,801.93 Each

Power Seat Coupling
1955 1956 1957
B23279A 11.95 Each

Power Window Transmission Gear Kit
1955 1956 1957
B23395AK 30.00 Kit

Power Window Or Seat Motor Coupler
1955 1956 1957
1955/60 Window Motor, 1961/66
Seat Motor
B23440A 3.09 Each

INSIDE DOOR HANDLE LINKAGE

Inside Door Handle To Latch Linkage Assembly

1955 1956 1957
Right Side
B21818A 58.37 Each

Inside Door Handle To Latch Linkage Assembly

1955 1956 1957
Left Side
B21819F 58.37 Each



A Key to a Smooth Operating Door



DOOR LOCK ASSEMBLY

Door Lock Knob
1955 1956 1957
B21850G 9.69 Each

Door Lock Button Rod
1955 1956 1957
B21852A 12.46 Each

Door Lock Remote Spring
1955 1956 1957
B21910A 5.78 Each

Door Lock Cylinder Lever
1955 1956 1957
B21971B 6.46 Each

Door Lock Knob Grommet
1955 1956 1957
B21999A 1.63 Each

Door Lock Cylinder Retainer, Pair
1955 1956 1957
B22023G 11.11 Pair

Door And Ignition Cylinder Lock Kit, Complete
1955 1956 1957
B22050AK 67.00 Each

Door And Ignition Lock Cylinder Set
1955 1956 1957
B22050G 44.92 Each

Door And Ignition Key Blank
1955 1956 1957
B22051D 3.97 Each

Key Blank Set
1955 1956 1957
B22051FK 7.90 Each

Follow Us On Facebook
at [facebook.com/larrystbird](https://www.facebook.com/larrystbird)

INSIDE DOOR AND WINDOW HANDLES

Inside Door Handle

1957
B22600B 19.99 Each

Inside Door And Window Handle Kit

1955 1956
B22600EK 110.00 Kit

Inside Door And Window Handle Kit

1957
B22600HK 112.00 Kit

Inside Door Handle

1955 1956
B22600S 25.05 Each

Window Handle, Black Knob

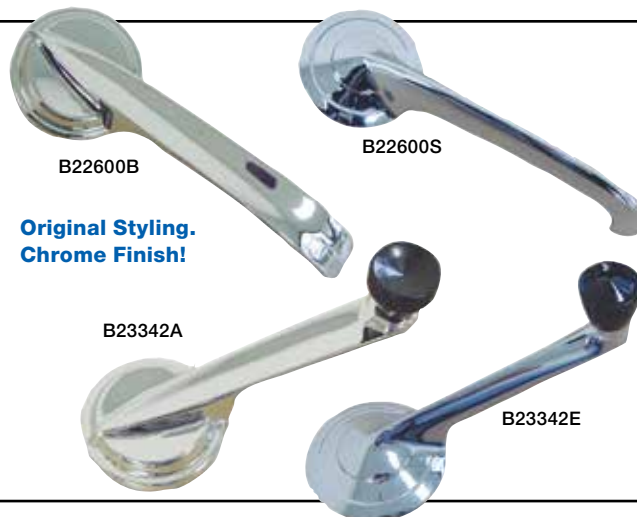
1957
B23342A 30.01 Each

Window Handle, Black Knob

1955 1956
B23342E 25.05 Each

Door Or Window Handle Plate

1955 1956 1957
B23370D 1.25 Each



Original Styling.
Chrome Finish!



B22400E



B22401AK



B22428E



B22448A



B22454EK



B22454FK



OUTSIDE DOOR HANDLES

Dished Washer

1955 1956 1957
1955-1957, Door Trim Moulding
Spacer; 1957, Outside Door
Handle Button
B21334A 4.23 Each

Outside Door Handle Set, Handles Only

1955 1956 1957
B22400E 50.10 Pair

Outside Door Handle Kit, Complete

1955 1956
B22401AK 95.50 Kit

Outside Door Handle Kit, Complete

1957
B22401EK 99.00 Kit

Outside Door Handle Pad, Large

1955 1956 1957
B22428E 0.98 Each

Outside Door Handle Pad, Small

1955 1956 1957
B22448A 0.98 Each

Door Handle Button

1955 1956
B22454EK 21.00 Each

Door Handle Button

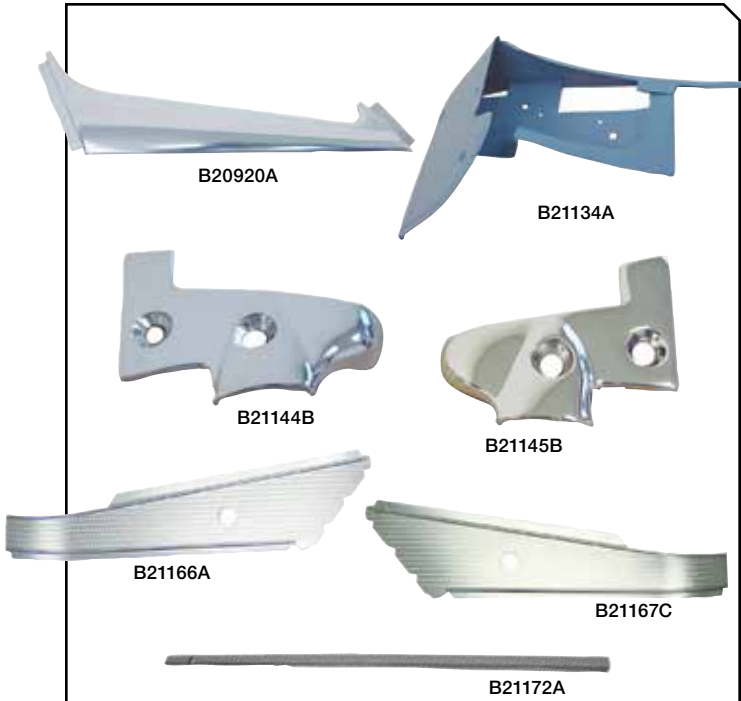
1957
B22454FK 22.50 Each

Outside Door Handle Spring

1955 1956 1957
B22462A 1.25 Each

Outside Door Handle Button Seal

1955 1956 1957
B22478A 0.81 Each



B20920A

B21134A

B21144B

B21145B

B21166A

B21167C

B21172A

INSIDE DOOR TRIM

Door Panel L-Moulding

1955 1956 1957
Right Side
B20920A..... 16.21 Each

Door Panel L-Moulding

1955 1956 1957
Left Side
B20921A..... 16.21 Each

Lower Door Panel Retainer

1957
B21032C..... 16.61 Each

Door Trim Moulding Spacer

1955 1956 1957
Right Side
B21134A..... 48.85 Each

Door Trim Moulding Spacer

1955 1956 1957
Left Side
B21135A..... 48.85 Each

Door Garnish Finish Plate, One Hole

1955
Right Side
B21144A..... 21.95 Each

Door Garnish Finish Plate, Two Hole

1955 1956 1957
Right Side
B21144B..... 21.95 Each

Door Garnish Finish Plate, One Hole

1955
Left Side
B21145A..... 21.95 Each

Door Garnish Finish Plate, Two Hole

1955 1956 1957
Left Side
B21145B..... 21.95 Each

Aluminum Door Trim Panel

1955 1956 1957
Right Side
B21166A..... 119.95 Each

Aluminum Door Trim Panel, With Power Seat Switch Cut Out

1955 1956 1957
Left Side, With Power Seat
B21167A..... 125.00 Each

Aluminum Door Trim Panel

1955 1956 1957
Left Side, With Manual Seat
B21167C..... 119.95 Each

Door Garnish Rail Moulding

1955 1956 1957
B21172A..... 35.00 Each

Dished Washer

1955 1956 1957
1955-1957, Door Trim Moulding
Spacer; 1957, Outside Door
Handle Button
B21334A..... 4.23 Each



UGC5502



UGC5604

GARNISH RAIL COVERS

Garnish Rail Cover, Black

1955 1956
UGC5501..... 24.24 Set

Garnish Rail Cover, Green

1955
UGC5502..... 24.24 Set

Garnish Rail Cover, Red

1955
UGC5503..... 24.24 Set

Garnish Rail Cover, Buckskin

1956
UGC5601..... 24.24 Set

Garnish Rail Cover, Green

1956
UGC5602..... 24.24 Set

Garnish Rail Cover, Peacock

1956
UGC5603..... 24.24 Set

Garnish Rail Cover, Red

1956
UGC5604..... 24.24 Set

Garnish Rail Cover, Black

1957
UGC5701..... 24.24 Set

Garnish Rail Cover, Blue

1957
UGC5702..... 24.24 Set

Garnish Rail Cover, Bronze

1957
UGC5703..... 24.24 Set

Garnish Rail Cover, Green

1957
UGC5704..... 24.24 Set

Garnish Rail Cover, Red

1957
UGC5705..... 24.24 Set

Garnish Rail Cover, White

1957
UGC5706..... 24.24 Set

Garnish Rail Cover, Black

Leather
1955 1956
UGCL5501..... 130.80 Set

Garnish Rail Cover, Green

Leather
1955
UGCL5502..... 130.80 Set

Garnish Rail Cover, Red

Leather
1955
UGCL5503..... 130.80 Set

Garnish Rail Cover, White

Leather
1955 1956
UGCL5504..... 130.80 Set

Garnish Rail Cover, Buckskin

Leather
1956
UGCL5601..... 130.80 Set

Garnish Rail Cover, Green

Leather
1956
UGCL5602..... 130.80 Set

Garnish Rail Cover, Peacock

Leather
1956
UGCL5603..... 130.80 Set

Garnish Rail Cover, Red

Leather
1956
UGCL5604..... 130.80 Set

Garnish Rail Cover, Black

Leather
1957
UGCL5701..... 130.80 Set

Garnish Rail Cover, Blue

Leather
1957
UGCL5702..... 130.80 Set

Garnish Rail Cover, Bronze

Leather
1957
UGCL5703..... 130.80 Set

Garnish Rail Cover, Blue

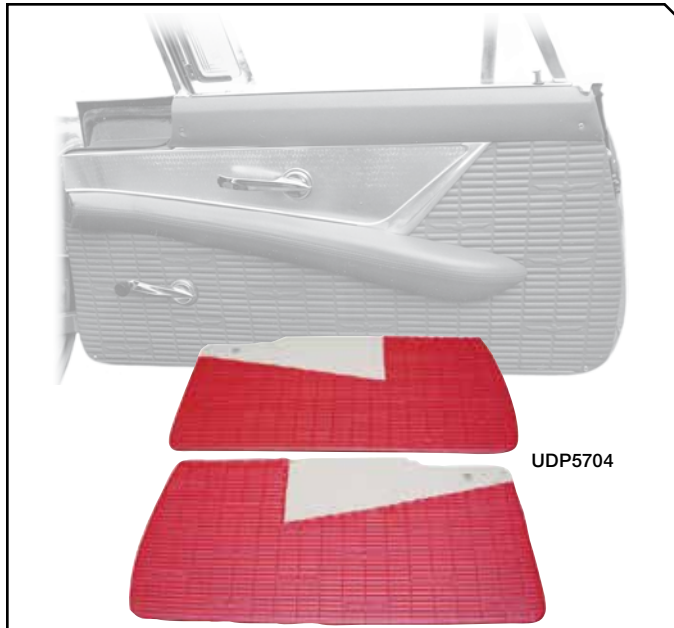
Leather
1957
UGCL5704..... 130.80 Set

Garnish Rail Cover, Red

Leather
1957
UGCL5705..... 130.80 Set

Garnish Rail Cover, White

Leather
1957
UGCL5706..... 130.80 Set



DOOR PANELS

Door Panel Beading, Black 1955 1956

UDB5501..... 16.20 Pair

Door Panel Beading, Green 1955

UDB5502..... 16.20 Pair

Door Panel Beading, Red 1955

UDB5503..... 16.20 Pair

Door Panel Beading, Buckskin

1956
UDB5601..... 16.20 Pair

Door Panel Beading, Green 1956

UDB5602..... 16.20 Pair

Door Panel Beading, Peacock

1956
UDB5603..... 16.20 Pair

Door Panel Beading, Red 1956

UDB5604..... 16.20 Pair

Door Panel Beading, Black 1957

UDB5701..... 16.20 Pair

Door Panel Beading, Blue 1957

UDB5702..... 16.20 Pair

Door Panel Beading, Bronze

1957
UDB5703..... 16.20 Pair

Door Panel Beading, Green 1957

UDB5704..... 16.20 Pair

Door Panel Beading, Red 1957

UDB5705..... 16.20 Pair

Door Panel Beading, White 1957

UDB5706..... 16.20 Pair

Door Panels, White 1955

UDP5501..... 222.00 Pair

Door Panels, Yellow 1955

UDP5502..... 222.00 Pair

Door Panels, White 1956

UDP5601..... 222.00 Pair

Door Panels, Blue 1957

UDP5701..... 276.00 Pair

Door Panels, Bronze 1957

UDP5702..... 276.00 Pair

Door Panels, Green 1957

UDP5703..... 276.00 Pair

Door Panels, Red 1957

UDP5704..... 276.00 Pair

Door Panels, Red 1957

UDP5704..... 276.00 Pair

Door Panels, White 1957

UDP5705..... 276.00 Pair



B24140F

B24141A



UAR5704

Arm Rests are probably one of the most abused items on your Thunderbird. **Larry's Arm Rest Covers** will restore your Littlebird's armrests to like-new appearance, providing the look you want for years to come. These are exact color-matched and sewn as original. None Better!

ARM RESTS

Arm Rest Base

1955 1956 1957

Right Side

B24140F 81.25 Each

Arm Rest Base

1955 1956 1957

Left Side

B24141A..... 81.25 Each

Arm Rest Foam Kit

1955 1956 1957

B24142F 9.00 Pair

Arm Rest Cover Boards

1955 1956 1957

B24143A..... 7.75 Pair

Armrest Covers, Black

1955 1956

UAR5501 54.00 Pair

Armrest Covers, Green

1955

UAR5502..... 54.00 Pair

Armrest Covers, Red

1955

UAR5503..... 54.00 Pair

Armrest Covers, Buckskin

1956

UAR5601..... 54.00 Pair

Armrest Covers, Green

1956

UAR5602..... 54.00 Pair

Armrest Covers, Peacock

1956

UAR5603..... 54.00 Pair

Armrest Covers, Red

1956

UAR5604..... 54.00 Pair

Armrest Covers, Black

1957

UAR5701 54.00 Pair

Armrest Covers, Blue

1957

UAR5702 54.00 Pair

Armrest Covers, Bronze

1957

UAR5703 54.00 Pair

Armrest Covers, Green

1957

UAR5704 54.00 Pair

Armrest Covers, Red

1957

UAR5705 54.00 Pair

Armrest Covers, White

1957

UAR5706 54.00 Pair

Armrest Covers, Black

Leather

1955 1956

UARL5501 177.60 Pair

Armrest Covers, Green

Leather

1955

UARL5502..... 177.60 Pair

Armrest Covers, Red

Leather

1955

UARL5503..... 177.60 Pair

Continued on the next page

Armrest Covers, White Leather

1955 1956
UARL5504.....177.60 Pair

Armrest Covers, Buckskin Leather

1956
UARL5601.....177.60 Pair

Armrest Covers, Green Leather

1956
UARL5602.....177.60 Pair

Armrest Covers, Peacock Leather

1956
UARL5603.....177.60 Pair

Armrest Covers, Red Leather

1956
UARL5604.....177.60 Pair

Armrest Covers, Black Leather

1957
UARL5701.....177.60 Pair

Armrest Covers, Blue Leather

1957
UARL5702.....177.60 Pair

Armrest Covers, Bronze Leather

1957
UARL5703.....177.60 Pair

Armrest Covers, Green Leather

1957
UARL5704.....177.60 Pair

Armrest Covers, Red Leather

1957
UARL5705.....177.60 Pair

Armrest Covers, White Leather

1957
UARL5706.....177.60 Pair

SPECIALTY TOOLS

Door And Window Handle Removal Tool

1955 1956 1957
DTL02.....6.38 Each

Door Glass Run Installation Tool

1955 1956 1957
DTL15.....26.72 Each



Can't Find What You're Looking For?

If you are looking for a certain part and are not able to locate it in this catalog, give us a call, it may be that we have what you are looking for but the part was not listed in this catalog at the time of printing. Some parts may no longer be available either New or NOS. We have a large used parts inventory and may have just the part you need.

HARDWARE FOR THIS SECTION

Screw

1955 1956 1957
Striker Plate
CSB354488.....1.17 Each

Clip

1955 1956 1957
Door And Window Handle
CSB357550.....0.26 Each

Wiring Clip, Rubber Coated

1955 1956 1957
Window And Seat Motor
Wiring
CSB358355.....1.87 Each

Clip

1955 1956 1957
Door Panel
CSB358575.....0.25 Each

Outside Mirror To Door

1955
DHK5004.....0.52 Each

Door Panel Attaching Kit

1955 1956
DHK5005.....8.00 Each

Door Panel Screws

1955 1956
DHK5006.....2.31 Each

Step Plates To Body

1955 1956 1957
DHK5008.....3.19 Each

Door Pillars To Doors

1955 1956 1957
DHK5009.....2.37 Each

Power Window Wire Channel To Door

1955 1956 1957
DHK5010.....0.52 Each

Door Garnish Rails To Doors

1955 1956 1957
DHK5011.....1.98 Each

Garnish Rails, Oversize Threads

1955 1956 1957
DHK5012.....2.18 Each

Door Panel Channels To Door

1955 1956 1957
DHK5013.....0.98 Each

Door Moulding Spacers To Door

1955 1956 1957
DHK5014.....3.32 Each

Door Texas Plates To Door

1955 1956 1957
DHK5015.....1.04 Each

Door Garnish Moulding To Rail

1955 1956 1957
DHK5016.....4.39 Each

Door Glass Runs To Pillar

1955 1956 1957
DHK5017.....6.83 Each

Upper Window Stops To Doors

1955 1956 1957
DHK5018.....2.99 Each

Door Lock Assembly To Door

1955 1956 1957
DHK5019.....3.71 Each

Door Glass Stainless To Channel

1955 1956 1957
DHK5020.....1.46 Each

Outside Door Handles To Door

1955 1956 1957
DHK5021.....1.85 Each

Door Handle Button To Handle

1955 1956 1957
DHK5022.....4.94 Each

Door Hinge Bolt Kit

1955 1956 1957
1 Side
DHK5023.....3.84 Each

Door Access Plates To Doors

1955 1956 1957
DHK5024.....2.93 Each

Arm Rests To Door Panels

1955 1956 1957
DHK5025.....3.32 Each

Outside Mirror To Door

1956 1957
DHK5028.....0.52 Each

Door Weatherstrip Spacers To Doors

1957
DHK5029.....0.72 Each

Door Panel Attaching Kit

1957
DHK5030.....7.64 Each

Door Panel Screws

1957
DHK5031.....2.31 Each



A9030N

Gas Cap Qualifies for CTCI Excellence in Authenticity Award!

GAS FILL SYSTEM

Gas Cap

1957
From Late 1957
A9030N 9.75 Each

Gas Filler Neck Support Bracket

1957
A9034A..... 12.85 Each

Gas Filler Neck Bracket To Body

1957
A9034E..... 10.77 Each

Gas Door Spring

1957
B16377B..... 4.59 Each

Gas Door Hinge

1957
B40635A 45.00 Each

Bumper Set

1957
Gas Door
CSB357170BK 0.98 Pair

QUARTER PANEL DRAIN PLUG SET

Quarter Panel Drain Plug Set
1955 1956 1957
B11136BK..... 9.20 Each



B25622A

THUNDERBIRD SCRIPT

Thunderbird Script

1955 1956
Rear Quarter Panel
B25622A..... 28.00 Each

FENDER SKIRTS

Fender Skirt Stone Guards, Pair

1955 1956 1957
B25648A..... 95.00 Pair

Stone Guard Bracket

1955 1956 1957
B25650A..... 2.86 Each



B27975BK

Fender Skirt Kit includes stone guards, mouldings, seals, mounting brackets and all hardware.



B2797F

Fender Skirts, Pair

1955 1956 1957
B27974F 399.95 Pair

Fender Skirt Kit

1957
B27975AK 695.00 Kit

Fender Skirt Kit

1955 1956
B27975BK 695.00 Kit

Fender Skirt Brackets, Set Of 4

1955 1956 1957
B27980A..... 13.00 Set

Fender Skirt Seal

1955 1956 1957
B27986E..... 13.42 Each

Fender Skirt Moulding

1955 1956
Right Side
B29164E..... 79.95 Each

Fender Skirt Moulding

1957
Right Side
B29164G 79.95 Each



B29164G

Fender Skirt Moulding

1957
Left Side
B29165B..... 79.95 Each

Fender Skirt Moulding

1955 1956
Left Side
B29165C..... 79.95 Each



DAC04

Fender Skirt Lock Set

1955 1956 1957
DAC04 11.50 Each

REAR QUARTER REPAIR PANELS

Lower Front Quarter Panel

1955 1956 1957
Right
DBP8018 86.01 Each

Lower Front Quarter Panel

1955 1956 1957
Left
DBP8019 86.01 Each

Lower Rear Quarter Panel

1955 1956 1957
Right
DBP8032 132.77 Each

Lower Rear Quarter Panel

1955 1956 1957
Left
DBP8041 132.77 Each

Quarter Panel Repair Panel, Lower

1955 1956 1957
Right Side
DBP8044 321.48 Each

Quarter Panel Repair Panel, Lower

1955 1956 1957
Left Side
DBP8045 321.48 Each

Wheelhouse Extension

1957
Right Side
DBP8065 149.47 Each

Wheelhouse Extension

1955
Right Side
DBP8066 149.47 Each

Wheelhouse Extension

1956
Right Side
DBP8067 149.47 Each

Wheelhouse Extension

1957
Left Side
DBP8068 149.47 Each

Wheelhouse Extension

1956
Left Side
DBP8069 149.47 Each

Wheelhouse Extension

1955
Left Side
DBP8070 149.47 Each

Wheelhouse Lower Front

1955 1956 1957
Right Side
DBP8075 79.33 Each

Wheelhouse Lower Front

1955 1956 1957
Left Side
DBP8076 79.33 Each

Wheelhouse Top Cap

1955 1956 1957
Right Side
DBP8077 64.30 Each

Wheelhouse Top Cap

1955 1956 1957
Left Side
DBP8078 64.30 Each

HARDWARE FOR THIS SECTION

Thunderbird Script On Quarter Panel

1955 1956
DHK2004..... 1.33 Each

Skirt Clips To Fenders

1955 1956 1957
DHK9009..... 1.59 Each

Skirt Trim To Skirts

1955 1956 1957
DHK9010..... 2.93 Each

Gas Neck Strap To Body Bracket

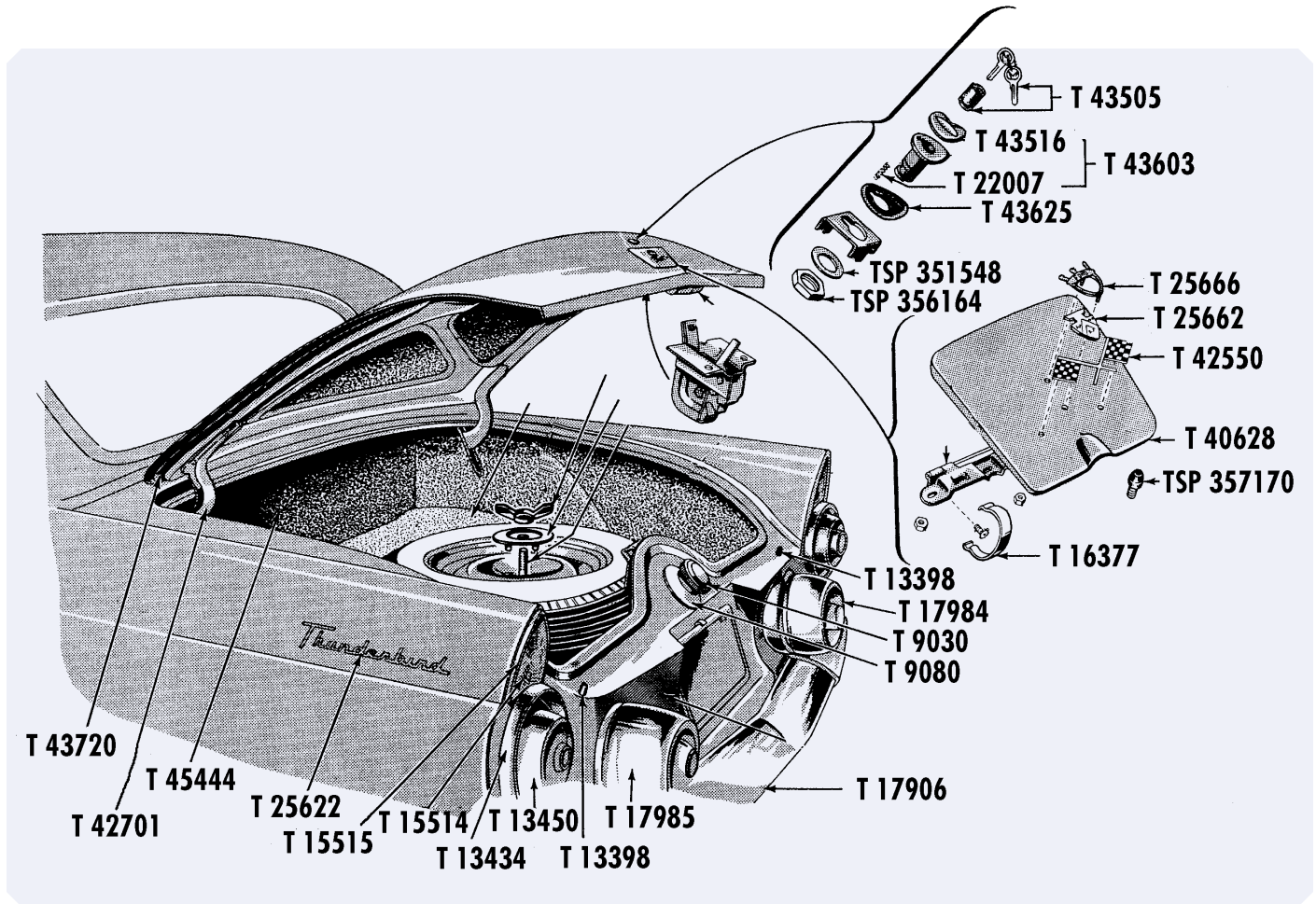
1957
DHK9017 1.24 Each

Gas Neck Bracket To Body

1957
DHK9018 0.52 Each

Gas Door To Hinge

1957
DHK9023..... 0.78 Each



GAS FILLER

Gas Cap

1955
A9030I..... 12.68 Each

Gas Cap

1956 1957
To Early 1957
A9030O..... 9.75 Each

Gas Door Spring

1955 1956
B16377A..... 4.59 Each

Gas Door Hinge

1955 1956
B40635B..... 45.00 Each

Bumper Set

1955 1956
Gas Door
CSB357170AK..... 3.80 Pair

**Gas Cap Qualifies
for CTCI Excellence
in Authenticity Award!**



A9030I



B9030O



B40635B



B13398A



B13398A



B13550A



B13550DK

REAR LICENSE PLATE HOLDER AND LIGHT

Rubber Bumper

1955 1956
1955 - 1959, Rear License Plate
Support; 1955 - 1956, Trunk Lid
B13398A..... 6.76 Pair

Rear License Light Set

1956
B13550A..... 39.65 Each

Rear License Light Set

1957
B13550DK..... 80.50 Each

Rear License Light Set

1955
B13550E..... 39.98 Each

Continued on the next page

- Rear License Light Body**
1955 1956
B13560F 19.50 Each
- Rear License Light Body**
1957
B13560G24.75 Each
- Rear License Light Lens**
1955 1956
B13564B.....17.05 Each
- Rear License Light Lens**
1957
B13564C.....17.85 Each
- Rear License Light Lens Retainer**
1957
B13566A..... 18.49 Each

- Rear License Light Lens Gasket**
1957
B13568A..... 1.30 Each
- Rear License Light Lens Gasket**
1955 1956
B13568B..... 1.30 Each
- License Plate Holder**
1955
Rear
B13596A..... 12.39 Each



TAIL LIGHTS

- Tail Light Pig Tail**
1957
B13413A 28.59 Each
- Tail Light Pig Tail**
1956
B13413B 19.45 Each
- Tail Light Pig Tail**
1955
B13413C 15.36 Each
- Tail Light Door Pad**
1957
B13420C.....3.90 Each
- Tail Light Body Pad**
1955 1956
B13420E..... 7.80 Each
- Tail Light Housing**
1955
B13434E..... 43.25 Each
- Tail Light Housing**
1956
B13434F43.00 Each
- Tail Light Kit**
1957
Without Backups
B13449AK 122.00 Kit
- Tail Light Kit**
1956
B13449BK 160.00 Kit
- Tail Light Kit**
1955
B13449CK..... 165.00 Kit



- Tail Light Kit**
1957
With Backups
B13449DK 169.00 Kit
- Tail Light Lens**
1956
B13450L23.08 Each
- Tail Light Lens**
1957
Without Backup
B13450M17.48 Each
- Tail Light Lens**
1957
With Backup
B13450N 39.75 Each
- Tail Light Lens**
1955
B13450P 14.98 Each
- Tail Light Lens Gasket**
1956
B13461F2.50 Each
- Tail Light Lens Gasket**
1957
B13461H.....3.90 Each

- Tail Light Lens Gasket**
1955
B13461I..... 3.58 Each
- Led Tail Light Panel, Pair**
1957
B13465AL..... 367.32 Pair
- Led Tail Light Panel, Pair**
1957
With Sunburst Signal
B13465AO 367.32 Pair
- Led Tail Light Panel, Pair, 6 Volt**
1955
With Sunburst Signal
B13465AR 367.32 Pair
- Led Tail Light Panel, Pair, 6 Volt**
1955
B13465AS 244.25 Pair

- Led Tail Light Panel, Pair**
1955
12V With Sunburst Signal
B13465AT 367.32 Pair
- Led Tail Light Panel, Pair**
1956
With Sunburst Signal
B13465AY 367.32 Pair
- Tail Light Bezel**
1957
Without Backup
B13489A.....29.17 Each
- Tail Light Bezel**
1957
With Backup
B13489M.....29.17 Each

TRUNK & REAR BODY AREA



BACKUP LIGHTS

Backup Light Wire and Socket
1957

B13411B 19.59 Each

Backup Light Wire
1955 1956

B13411D 10.24 Each

Backup Light Housing Reflector
1956

B13437A 2.24 Each

Backup Light Kit
1955

B15500BK 160.00 Kit

Backup Light Kit
1956

B15500CK 93.00 Kit

Backup Light Lens Gasket
1956

B15510C 1.30 Each

Backup Light Lens Gasket
1955

B15510F 1.14 Each

Backup Light Lens
1956

B15514A 11.27 Each

Backup Light Lens
1955

B15514E 11.27 Each

Backup Light Housing
1955

B15515A 35.25 Each

Backup Light Housing
1956

B15515B 27.95 Each

Backup Light Block Off Plate
1955

Without Backup

B15515C 30.39 Each

Backup Light Body Pad
1955

B15533A 3.74 Each

Backup Light Body Pad
1956

B15533B 1.30 Each

Backup Light Body Pad
1955

B15533F 3.42 Each



B16758LK

TRUNK LID BUMPERS

Rubber Bumper

1955 1956
1955 - 1959, Rear License
Plate Support; 1955 - 1956,
Trunk Lid

B13398A 6.76 Pair

Trunk Lid Bumper Set

1957
B16758LK 2.30 Pair



B17083A

BUMPER JACK

Jack Handle Lug Wrench
1955 1956 1957

B17032A 29.23 Each

Jack Strap

1955 1956 1957
B17083A 23.95 Each

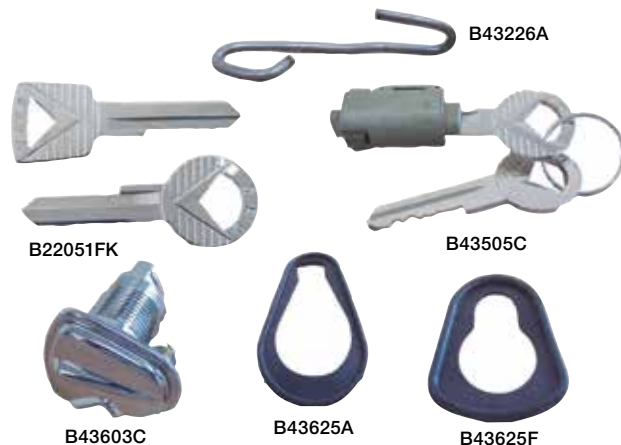
REAR BUMPER STONE DEFLECTORS

Rear Bumper Stone Deflector

1957
B17808A 10.79 Each

Rear Bumper Stone Deflector

1956
B17808C 5.69 Each



TRUNK LOCK

Trunk Lock Flip Lid Spring

1955 1956
B22007A 3.51 Each

Trunk Lock Flip Lid Spring

1957
B22007B 3.51 Each

Trunk Key Blank

1955 1956 1957
B22051B 3.97 Each

Key Blank Set

1955 1956 1957
B22051FK 7.90 Each

Trunk Lock Release Rod

1957
B43226A 6.20 Each

Trunk Lock Cylinder And Key

1955 1956 1957
B43505C 24.99 Each

Trunk Lock Sleeve Lid

1957
B43516A 16.70 Each

Trunk Lock Sleeve Lid

1955 1956
B43516F 15.03 Each

Trunk Lock Spacer

1957
B43565B 8.18 Each

Trunk Lock Housing

1957
B43603A 35.90 Each

Trunk Lock Housing

1955 1956
B43603C 50.02 Each

Trunk Lock Housing Pad

1957
B43625A 3.75 Each

Trunk Lock Housing Pad

1955 1956
B43625F 3.95 Each

Receive Gift Certificates for
Your Future Purchases!
Learn how to qualify for \$30 and \$50
gift certificates. Visit our website at
www.larrystbird.com for more information.

TRUNK & REAR BODY AREA

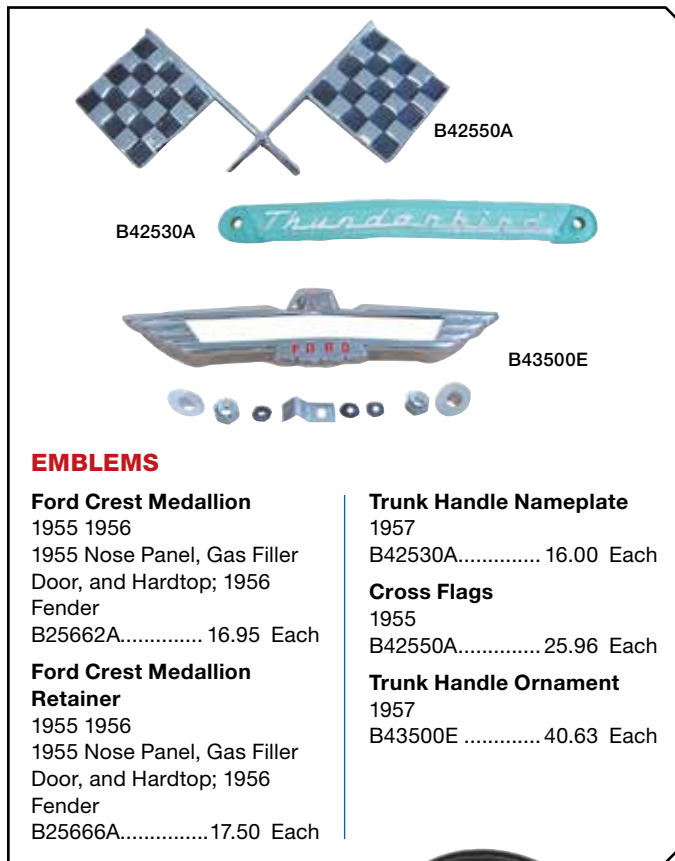


REAR GARNISH RAIL

Rear Garnish Rail, Fiberglass
1955 1956 1957
B40406A 156.56 Each

Rear Garnish Moulding Joint Cover
1955 1956 1957
B40406B 10.44 Each

Rear Deck Garnish Rail Mouldings, Pair
1955 1956 1957
B40408A 105.13 Pair



EMBLEMS

Ford Crest Medallion
1955 1956
1955 Nose Panel, Gas Filler Door, and Hardtop; 1956 Fender
B25662A 16.95 Each

Ford Crest Medallion Retainer
1955 1956
1955 Nose Panel, Gas Filler Door, and Hardtop; 1956 Fender
B25666A 17.50 Each

Trunk Handle Nameplate
1957
B42530A 16.00 Each

Cross Flags
1955
B42550A 25.96 Each

Trunk Handle Ornament
1957
B43500E 40.63 Each



TRUNK HINGE SPRINGS

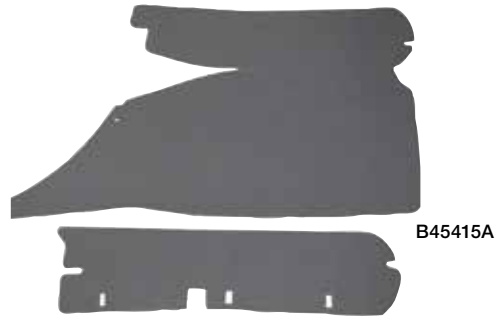
Trunk Hinge Spring
1955 1956
B42701A 17.48 Each

Trunk Hinge Spring
1957
B42701C 19.82 Each



TRUNK LID WEATHERSTRIP

Trunk Lid Weatherstrip
1955 1956 1957
B43720G 30.65 Each



TRUNK SIDE CARDBOARD

Trunk Side Cardboard Set
1957
B45415A 15.00 Pair

Trunk Side Cardboard Set
1955 1956
B45415F 14.75 Pair



TRUNK DIVIDER BOARD

Trunk Divider Board
1955
B45444F 8.13 Each

Big Selection of Parts! Whether it's a hard to find part or a standard Thunderbird replacement part, Larry's has what you're looking for. Our inventory of parts is concours-quality. For fast service, give us a call. Our parts specialists are here to assist with your restoration needs!

TRUNK & REAR BODY AREA



B45456AD



B45456AF



B45456AI



BB45456AJ

TRUNK MATS AND TIRE COVER

TIRE COVER

Tire Cover, Plaid

1955 1956 1957
B45400H47.94 Each

TRUNK MATS

Trunk Mat, Burtex Type

1955
B45456AD107.94 Each

Trunk Mat, Burtex Type

1957
B45456AF121.60 Each

Trunk Mat, Burtex Type

1956
B45456AI107.94 Each

Rubber Trunk Mat And Curtain

1956
BB45456AJ 331.03 Each

CARPET TRUNK MATS

Carpet Trunk Mat, Black

1955
UTM5501113.40 Each

Carpet Trunk Mat, Green

1955
UTM5502113.40 Each

Carpet Trunk Mat, Red

1955
UTM5503113.40 Each

Carpet Trunk Mat, Black

1956
UTM5601113.40 Each

Carpet Trunk Mat, Buckskin

1956
UTM5602113.40 Each

Carpet Trunk Mat, Green

1956
UTM5603113.40 Each

Carpet Trunk Mat, Peacock

1956
UTM5604113.40 Each

Carpet Trunk Mat, Red

1956
UTM5605113.40 Each

Carpet Trunk Mat, Black

1957
UTM5701 141.76 Each

Carpet Trunk Mat, Blue

1957
UTM5702 141.76 Each

Carpet Trunk Mat, Bronze

1957
UTM5703 141.76 Each

Carpet Trunk Mat, Green

1957
UTM5704 141.76 Each

Carpet Trunk Mat, Red

1957
UTM5705 141.76 Each



DAC10A

TRUNK MATCHING TOTE BAG

Tote Bag, Plaid

1955 1956 1957
DAC10A47.89 Each

TRUNK FLOOR

Trunk Floor Panel

1956
DBP9013640.45 Each

Trunk Floor Brace

1957
DBP9019 146.13 Each

Trunk Floor Panel

1955
DBP9026640.45 Each

We carry a large inventory of concours-quality parts.

HARDWARE FOR THIS SECTION

Washer

1955 1956 1957
Trunk Lock Sleeve
CSB3515480.94 Each

Nut

1955 1956 1957
Trunk Lock Sleeve
CSB356164 2.28 Each

Center Garnish Moulding To Body

1955 1956 1957
DHK60215.17 Each

Rear Hold Down Plates To Deck

1955 1956 1957
DHK7010 3.77 Each

Trunk Divider Board

1955
DHK8000 1.59 Each

Trunk Latch Assembly To Body

1955 1956
DHK8001 1.46 Each

Trunk Lid To Hinges

1955 1956 1957
DHK8002 1.98 Each

Trunk Lid Hinge To Body

1955 1956 1957
DHK8003 1.79 Each

Trunk Latch Striker To Body

1955 1956 1957
DHK8004 1.46 Each

Trunk Side Boards To Body

1955 1956 1957
DHK8005 2.57 Each

Trunk Latch Assembly To Body

1957
DHK8006 1.92 Each

Spare Hold Down Hardware

1957
DHK8007 1.79 Each

Trunk Handle Mounting

1957
DHK8008 3.32 Each

Backup Lens To Body

1955
DHK9001 7.60 Each

Rear Lamp Body To Fender

1955 1956
DHK9005 0.85 Each

License Holder To Body

1955 1956
DHK9006 0.85 Each

Gas Door Mounting Kit

1955 1956
DHK9007 1.46 Each

License Light Lens

1955 1956 1957
DHK9008 0.78 Each

Continental Kit Holder To Car

1956
DHK90115.23 Each

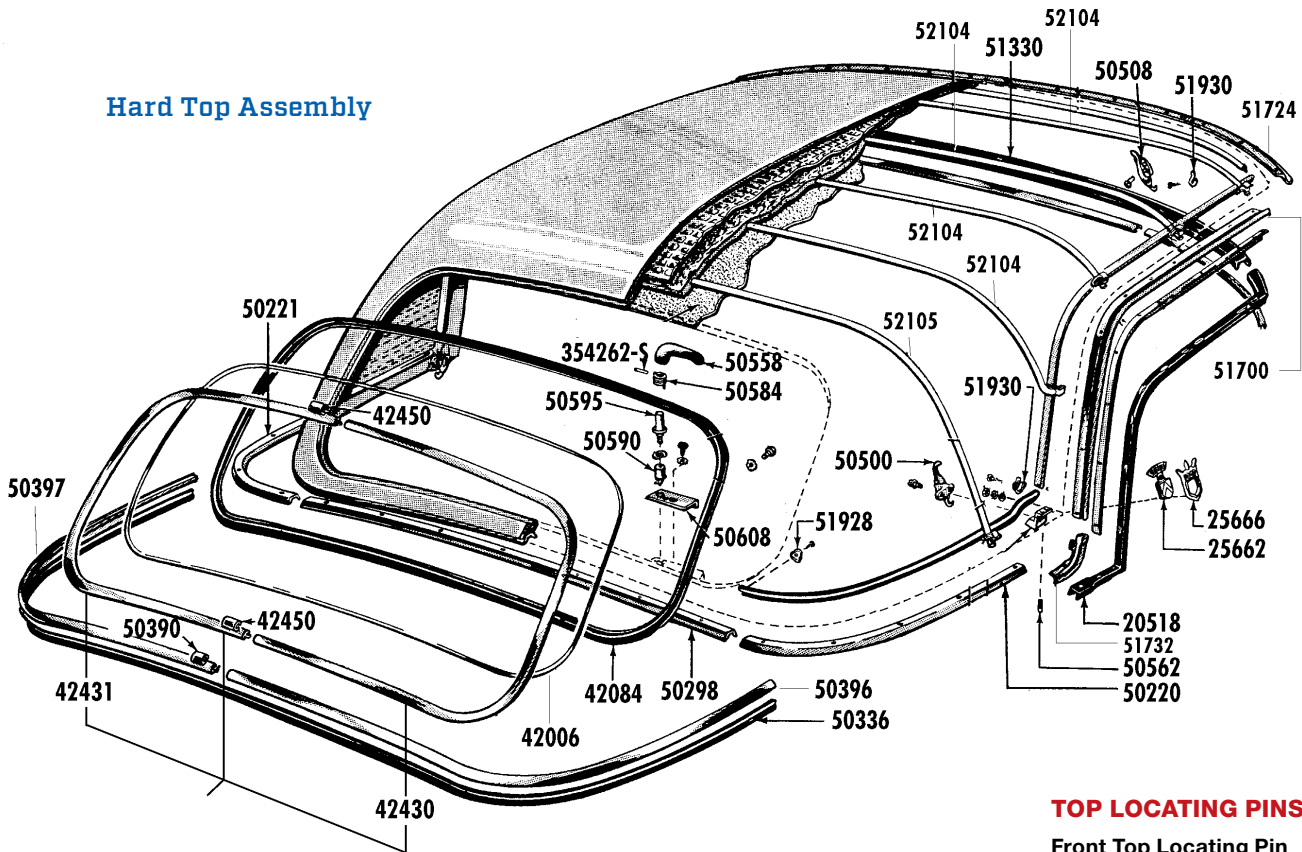
Backup Lens To Body

1956
DHK9013 5.04 Each

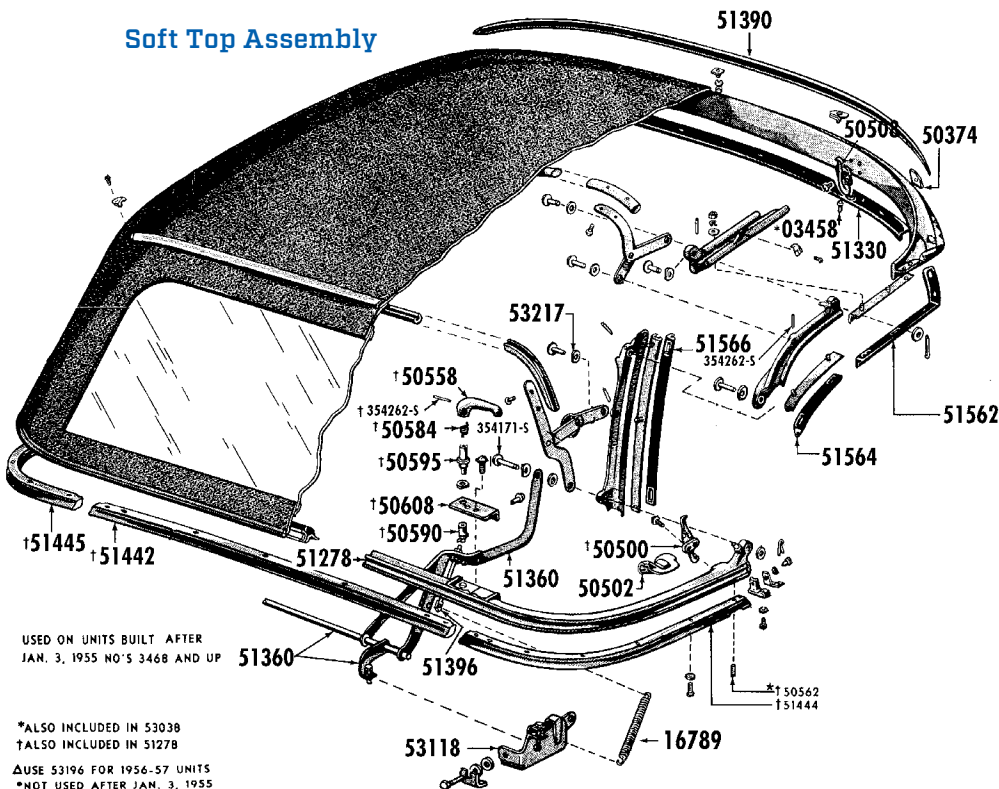
Rear Lamp Body To Fender

1957
DHK90192.18 Each

Hard Top Assembly



Soft Top Assembly



USED ON UNITS BUILT AFTER
JAN. 3, 1955 NO'S 3468 AND UP

*ALSO INCLUDED IN 53038
†ALSO INCLUDED IN 51278

ΔUSE 53196 FOR 1956-57 UNITS
*NOT USED AFTER JAN. 3, 1955

TOP LOCATING PINS

Front Top Locating Pin

1955 1956 1957
B03458A 4.81 Each

Top Pin Receiver

1955 1956 1957
Front
B03474A 51.69 Each

Hardtop Side Locating Pin

1955 1956 1957
B50562A 12.31 Each

Soft Top Side Locating Pin

1955 1956 1957
B50562B 12.71 Each

TOP CLAMPS

Soft Top Clamp Kit

1955
B50000AK 525.00 Kit

Soft Top Clamp Kit

1956
Early 1956
B50000BK 525.00 Kit

Soft Top Clamp Kit

1956
Late 1956
B50000CK 525.00 Kit

Soft Top Clamp Kit

1957
B50000DK 525.00 Kit

Continued on the next page



Hard Top Clamp Kit

1955
B50000EK 525.00 Kit

Hard Top Clamp Kit

1956
Early 1956
B50000FK 525.00 Kit

Hard Top Clamp Kit

1956
Late 1956
B50000GK 525.00 Kit

Hard Top Clamp Kit

1957
B50000HK 525.00 Kit

Top Side Clamp

1955 1956
Hard And Soft Tops
B50500A 80.00 Each

Top Side Clamp

1957
Hard And Soft Tops
B50500B 80.00 Each

Top Side Clamp J-Hook

1955 1956 1957
B50508A 15.00 Each

Hard Top Front Clamp

1955 1956
B50508C 80.00 Each

Soft Top Front Clamp

1955 1956
B50508D 80.00 Each

Hard Top Front Clamp

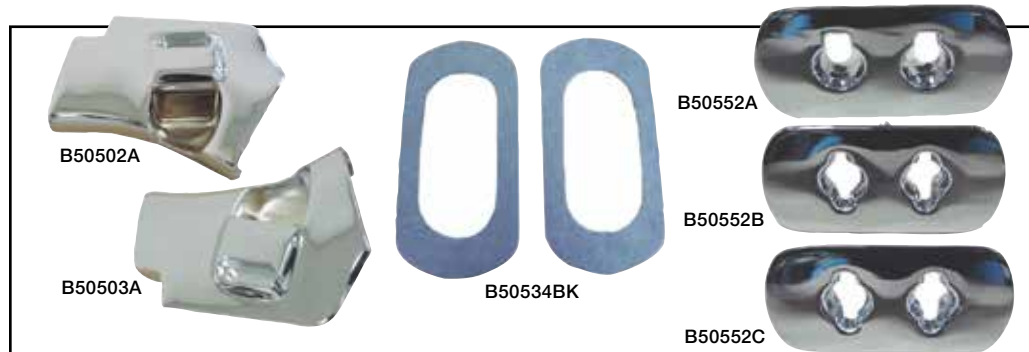
1957
B50508E 80.00 Each

Soft Top Front Clamp

1957
B50508F 80.00 Each

Front Top Clamp J-Hook

1955 1956 1957
B50508G 15.00 Each



TOP LATCH PLATES

Top Latch Plate Kit

1955
B50501AK 295.00 Kit

Top Latch Plate Kit

1956
To Early 1956
B50501BK 295.00 Kit

Top Latch Plate Kit

1956 1957
From Late 1956
B50501CK 295.00 Kit

Side Top Latch Plate

1955 1956 1957
Right Side
B50502A 75.07 Each

Side Top Latch Plate

1955 1956 1957
Left Side
B50503A 75.07 Each

Front Top Clamp Cup Above Windshield

1955 1956 1957
B50530A 16.53 Each

Rear Deck Plate Gasket Set

1955 1956 1957
B50534BK 5.50 Pair

Rear Top Latch Deck Plate

1956 1957
From Late 1956, Right Side
B50552A 52.61 Each

Rear Top Latch Deck Plate

1956
To Early 1956, Right Side
B50552B 52.61 Each

Rear Top Latch Deck Plate

1955
Right Side
B50552C 52.61 Each

Rear Top Latch Deck Plate

1955
Left Side
B50553A 52.61 Each

Rear Top Latch Deck Plate

1956
To Early 1956, Left Side
B50553B 52.61 Each

Rear Top Latch Deck Plate

1956 1957
From Late 1956, Left Side
B50553C 52.61 Each

REAR CLAMP LEVERS

Rear Clamp Lever, Dog Leg Type

1955 1956
To Early 1956, Right Side
B50558A 40.91 Each



Rear Clamp Lever, Straight Type

1956 1957
From Late 1956, Right Side
B50558B 40.91 Each

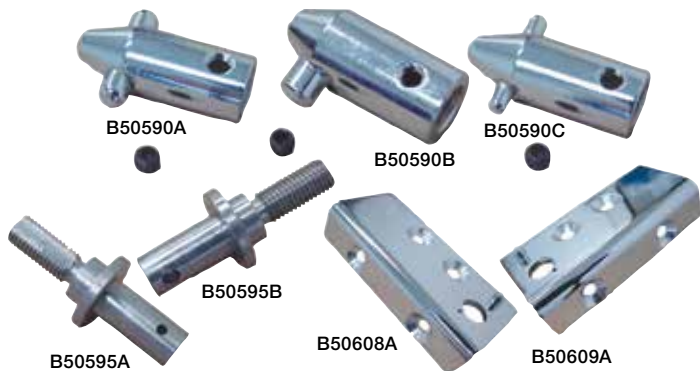
Rear Clamp Lever, Dog Leg Type

1955 1956
To Early 1956, Left Side
B50559A 40.91 Each

Rear Clamp Lever, Straight Type

1956 1957
From Late 1956, Left Side
B50559B 40.91 Each

Continued on the next page



Rear Clamp Lever Spring
1955 1956 1957
Right Side
B50584A 4.59 Each

Rear Clamp Lever Spring
1955 1956 1957
Left Side
B50585A 4.59 Each

Top Fastener
1956
Hard Or Soft Top To 4/30/56
B50590A 15.80 Each

Top Fastener
1956 1957
Hard Or Soft Top From 5/1/56
B50590B 15.80 Each

Top Fastener
1955
Hard Top Or Soft Top
B50590C 15.80 Each

Top Fastener Set Screw, # 8-32
1955 1956 1957
B50590D 0.30 Each

Top Rear Clamp Stud
1955 1956
To Early 1956 For Dog Leg Handle
B50595A 12.00 Each

Top Rear Clamp Stud
1956 1957
From Late 1956 For Dog Leg Handle
B50595B 12.00 Each

Rear Clamp Retaining Plate
1955 1956 1957
Right Side
B50608A 25.00 Each

Rear Clamp Retaining Plate
1955 1956 1957
Left Side
B50609A 25.00 Each



B25662A



B25666A



B50270A



B50292A

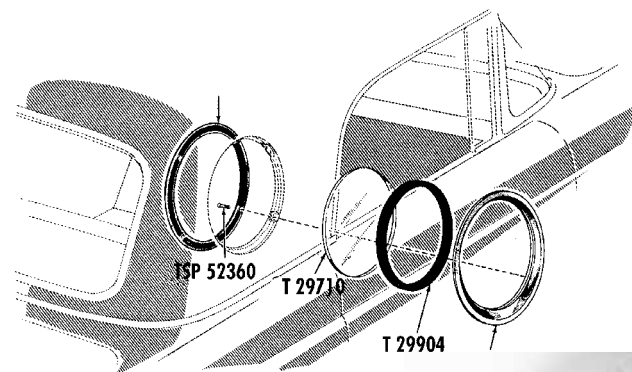
EMBLEMS

Ford Crest Medallion
1955 1956
1955 Nose Panel, Gas Filler Door, And Hard Top; 1956 Fender
B25662A 16.95 Each

Ford Crest Medallion Retainer
1955 1956
1955 Nose Panel, Gas Door, And Hard Top; 1956 Fender
B25666A 17.50 Each

Roof Side Ornament
1957
Non-Porthole Hardtop
B50270A 25.63 Each

Roof Side Ornament Retainer
1957
Non-Porthole Hardtop
B50292A 17.45 Each



B30000FK



Includes all necessary parts to install portholes in a hardtop without portholes...



PORTHOLES

Inside Porthole Rings, Pair
1955 1956 1957
B29004A 36.56 Pair

Porthole Glass, Clear, Fomoco
1955 1956 1957
B29710Q 21.04 Each

Porthole Glass, Tinted, Fomoco
1955 1956 1957
B29710R 21.04 Each

Porthole Glass Seal
1955 1956 1957
B29904D 3.32 Each

Porthole Installation Kit
1955 1956 1957
Tinted Glass, 4 Bow, Pure White
B30000AK 430.00 Each

Porthole Installation Kit
1955 1956 1957
Clear Glass, 4 Bow, Pure White
B30000BK 430.00 Each

Porthole Installation Kit
1955 1956 1957
Tinted Glass, 4 Bow, White
B30000CK 430.00 Each

Porthole Installation Kit
1955 1956 1957
Clear Glass, 4 Bow, White
B30000DK 430.00 Each

Porthole Installation Kit
1955 1956 1957
Tinted Glass, 4 Bow, Off White
B30000EK 430.00 Each

Porthole Installation Kit
1955 1956 1957
Clear Glass, 4 Bow, Off White
B30000FK 430.00 Each

Porthole Spacer, Pair
1955 1956 1957
B30500A 113.75 Pair

Outside Porthole Rings, Pair
1955 1956 1957
B30534B 109.95 Pair



B42430B

REAR WINDOW

Rear Window Glass, Clear

1955 1956 1957
Hardtop
B42006A 313.96 Each

Rear Window Glass, Tinted

1955 1956 1957
Hardtop
B42006D 328.99 Each

Rear Window Seal

1955 1956 1957
Hardtop
B42084N 50.18 Each

Rear Glass Moulding Set

1955 1956 1957
B42430A 299.00 Pair

Rear Glass Moulding, Right

1955 1956 1957
B42430B 150.00 Each

Rear Window Moulding Joint Cover

1955 1956 1957
B42450A 2.60 Each

HEADLINERS

Headliner Binding End Cover

1955 1956 1957
B51928A 0.53 Each

Headliner Binding Angled Joint Cover

1955 1956 1957
B51930A 7.93 Each

Headliner Bow Kit, 5 Bow

1955 1956 1957
B52105A 59.70 Set

Hardtop Front Bow Guide Clip

1955 1956 1957
B52182A 3.51 Each

Headliner, 4 Bow, Black

1955 1956 1957
UHL5501 151.19 Each

Headliner, 4 Bow, Off White

1955 1956 1957
UHL5502 122.40 Each

Headliner, 4 Bow, Pure White

1955 1956 1957
UHL5503 122.40 Each



Headliner, 4 Bow, White

1955 1956 1957
UHL5504 122.40 Each

Headliner, 5 Bow, Black

1955 1956 1957
UHL5505 151.19 Each

Headliner, 5 Bow, Off White

1955 1956 1957
UHL5506 122.40 Each

Headliner, 5 Bow, Pure White

1955 1956 1957
UHL5507 122.40 Each

Headliner, 5 Bow, White

1955 1956 1957
UHL5508 122.40 Each

TACK STRIP

Hardtop Tack Strip Set

1955 1956 1957
B41745BK 9.30 Each



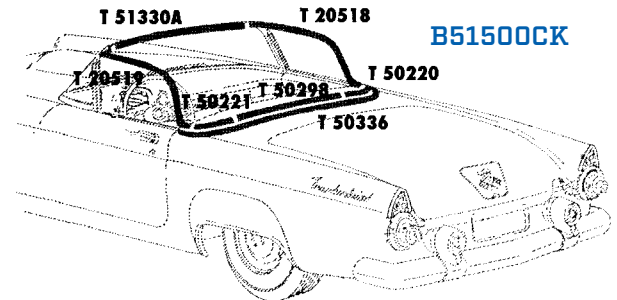
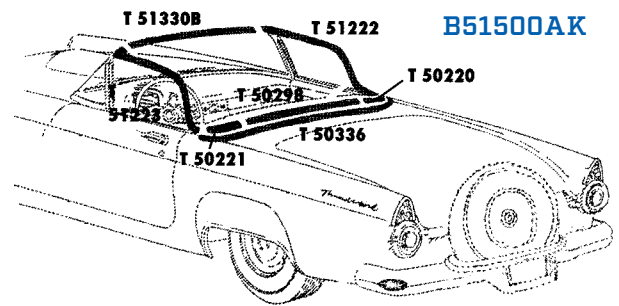
B41745BK

Original Style Paper Tack Strip, 1/2 X 3/8 Inch

1955 1956 1957
Per Foot
B41745D 10.00 Feet

Soft Top Tack Strip Set

1955 1956 1957
B41745EK 16.50 Each



The '55's & early 56 type have the weatherstrips over the door glass entirely cloth covered, and they are "dog-legged" both in front on the windshield header and on the rear deck. The late '56-'57 types have the weatherstrips over the door glass "dog-legged" only on the rear deck.

HARD TOP WEATHERSTRIPS

Hardtop Weatherstrip Over Door

1955 1956
Right Side, Early Style
B20518A 110.00 Each

Hardtop Weatherstrip Over Door

1955 1956
Left Side, Early Style
B20519A 110.00 Each

Hard Top Rear Deck Weatherstrip

1955 1956 1957
Right Side
B50220A 45.00 Each

Hard Top Rear Deck Weatherstrip

1955 1956 1957
Left Side
B50221A 45.00 Each

Hard Top Rear Deck Center Weatherstrip

1955 1956 1957
B50298A 45.00 Each

Hard Top Rear Moulding Weatherstrip

1955 1956 1957
B50336A 15.00 Each

Hardtop Weatherstrip Over Door

1956 1957
Right Side, Late Style
B51222H 110.00 Each

Hardtop Weatherstrip Over Door

1956 1957
Left Side, Late Style
B51223A 110.00 Each

Header Weatherstrip

1955 1956 1957
Soft Top, 1955/57; Hard Top,
1955 To Early 1956; 43 1/2
Inch
B51330A 90.00 Each

Header Weatherstrip

1956 1957
Hardtop, From Late 1956
B51330B 90.00 Each

Hardtop Weatherstrip Kit, 7 Piece

1956 1957
From Late 1956
B51500AK 420.00 Each

Hardtop Weatherstrip Kit, 7 Piece

1955 1956
To Early 1956, Cloth Covered
Over Doors
B51500CK 420.00 Each

HARD TOP MOULDINGS

Hardtop Rear Moulding Joint Cover

1955 1956 1957
B50390A7.85 Each

Hard Top Rear Moulding

1955 1956 1957
Right Side
B50396A 120.00 Each

Hard Top Rear Moulding

1955 1956 1957
Left Side
B50397A 120.00 Each

Hardtop Moulding Set

1955 1956 1957
Hardtop Moulding Set
B51000AK 659.00 Each

Hardtop Moulding Over Door

1955 1956 1957
Right Side
B51700A 101.00 Each

Hardtop Moulding Over Door

1955 1956 1957
Left Side
B51701A 101.00 Each

Hardtop Front Header

Moulding
1955 1956 1957
B51724A 120.00 Each

Hardtop Corner Moulding

1955 1956 1957
From Late 1955, Right Side
Behind Door
B51732A 45.00 Each

Hardtop Corner Moulding

1955 1956 1957
From Late 1955, Left Side
Behind Door
B51733A 45.00 Each

SOFT TOPS

Soft Top Outside Wire-On Tip

1955 1956 1957
Right Side
B51400A 5.95 Each

Soft Top Outside Wire-On Tip

1955 1956 1957
Left Side
B51401A 5.95 Each

Soft Top, Black Vinyl, Straight Zipper

1955 1956 1957
UST5501 660.00 Each

Soft Top, White On Black Vinyl, Straight Zipper

1955 1956 1957
UST5502 660.00 Each

Soft Top, White On Tan Vinyl, Straight Zipper

1956 1957
UST5601 660.00 Each

Soft Top, Black Canvas, Sewn In Window

1955
USTC5501 800.58 Each

Soft Top, Tan On Black Stayfast, Straight Zipper

1955 1956 1957
USTC5502 984.00 Each

Soft Top, Black Stayfast, Straight Zipper

1956 1957
USTC5601 984.00 Each

Soft Top, Tan On Tan Stayfast, Straight Zipper

1956 1957
USTC5602 984.00 Each

Soft Top, Blue Stayfast, Straight Zipper

1957
USTC5701 984.00 Each

Soft Top, Red Stayfast, Straight Zipper

1957
USTC5702 984.00 Each

FRAME AND SOFT TOP ASSEMBLIES

Soft Top Assembly, Tan Stayfast, With Stainless Header Moulding

1955 1956 1957
B50103B 5,419.15 Each

Soft Top Assembly, Dark Blue Stayfast, With Stainless Header Moulding

1955 1956 1957
B50103D 5,414.14 Each

Soft Top Assembly, Dark Blue Stayfast

1955 1956 1957
B50103E 5,088.49 Each

Soft Top Assembly, Black Stayfast, With Stainless Header Moulding

1955 1956 1957
B50103F 5,414.14 Each

Soft Top Assembly, Black Stayfast

1955 1956 1957
B50103G 5,088.49 Each

Soft Top Assembly, White Vinyl, With Stainless Header Moulding

1955 1956 1957
B50103H 5,335.65 Each

Soft Top Assembly, Tan Stayfast

1955 1956 1957
B50103I 5,046.74 Each

Soft Top Assembly, White Vinyl

1955 1956 1957
B50103J 4,587.49 Each

Soft Top Assembly, Black Vinyl

1955 1956 1957
B50103L 4,587.49 Each

Soft Top Assembly, Black Vinyl, With Stainless Header Moulding

1955 1956 1957
B50103M 5,335.65 Each



Convertible Top Frame Hinge Pin Kit

1955 1956 1957
B50300A 45.62 Each

Soft Top Frame Plate Pad, Pair

1955 1956 1957
Soft Top Frame Plate Pad
B51276A 5.63 Pair

Soft Top Illustration

1955 1956 1957
DLT049 5.00 Each

SOFT TOP WEATHERSTRIPS

Header Weatherstrip
1955 1956 1957
Soft Top, 1955/57; Hard Top, 1955 To Early 1956; 43 1/2 Inch
B51330A 90.00 Each

Soft Top Rear Deck Center Weatherstrip
1955 1956 1957
B51442A 50.00 Each

Soft Top Rear Deck Weatherstrip
1955 1956 1957
Right Side
B51444A 32.50 Each

Soft Top Rear Deck Weatherstrip
1955 1956 1957
Left Side
B51445A 32.50 Each

Soft Top Weatherstrip Kit, 10 Piece
1955 1956 1957
B51500BK 420.00 Each

Soft Top Side Front Weatherstrip
1955 1956 1957
Right Side
B51562A 37.00 Each

Soft Top Side Front Weatherstrip
1955 1956 1957
Left Side
B51563A 37.00 Each

Soft Top Side Center Weatherstrip
1955 1956 1957
Right Side
B51564A 37.00 Each

Soft Top Side Center Weatherstrip
1955 1956 1957
Left Side
B51565A 37.00 Each

Soft Top Side Rear Weatherstrip
1955 1956 1957
Right Side
B51566A 37.00 Each

Soft Top Side Rear Weatherstrip
1955 1956 1957
Left Side
B51567A 37.00 Each



B51390A

SOFT TOP FRONT STAINLESS TRIM

Soft Top Header Moulding Clip

1955 1956 1957
Right Side
B50374A..... 5.85 Each

Soft Top Header Moulding Clip

1955 1956 1957
Left Side
B50375A..... 5.85 Each

Soft Top Front Stainless Trim

1955 1956 1957
B51390A..... 225.00 Each

Soft Top Header Stainless Foam

1955 1956 1957
B53038A 8.45 Each



B53118A

SOFT TOP SWINGARM

Soft Top Swingarm Spring

1955 1956
To Early 1956
B16789D..... 12.11 Each

Soft Top Swingarm Spring

1956 1957
From Late 1956
B16789E..... 7.60 Each

Soft Top Swingarm Bar

1955 1956 1957
Does Not Include Feet
B51360A..... 407.48 Each

Soft Top Swingarm Bar Eyebolt

1955 1956 1957
B51396A..... 2.94 Each

Soft Top Foot Bracket

1955 1956
Right Side, 1955 To Early 1956
B53118A..... 68.82 Each

Soft Top Foot Adjusting Screw

1955 1956 1957
B53118B..... 4.34 Each

Soft Top Foot Bracket

1956 1957
Right Side, Late 1956 To 1957
B53118C..... 70.14 Each

Soft Top Foot Bracket

1955 1956
Left Side, 1955 To Early 1956
B53119A..... 68.82 Each

Soft Top Foot Bracket

1956 1957
Left Side, Late 1956 To 1957
B53119B..... 70.14 Each

Big Selection of Parts! Whether it's a hard to find part or a standard Thunderbird replacement part, Larry's has what you're looking for. Our inventory of parts is concours-quality. For fast service, give us a call. Our parts specialists are here to assist with your restoration needs!



DAC05C

DAC06

DAC07

HARD AND SOFT TOP ACCESSORIES

Top Lock, Hard Or Soft Top 1955

DAC05A..... 33.82 Each

Top Lock, Hard Or Soft Top 1956

DAC05B..... 33.82 Each

Top Lock, Hard Or Soft Top 1957

DAC05C 33.82 Each

Top Hoist

1955 1956 1957
DAC06 86.95 Each

The Tag Along Hardtop Storage

1955 1956 1957
DAC07 242.15 Each

Rear Deck Protector

1955 1956 1957
DAC09 25.80 Pair

Window Moulding Removal Tool

1955 1956 1957
DTL06..... 14.29 Each

Our Original-Style Tonneau Cover protects your Thunderbird from rain, dust, pollutants and the sun's harmful UV rays. Only the finest in correct grain vinyls and colors, with heavy-duty zipper. Snaps are included, but not installed.

TONNEAU COVERS

Tonneau Cover, Black

1955 1956
UTC5501 270.00 Each

Tonneau Cover, Green

1955
UTC5502 270.00 Each

Tonneau Cover, Red

1955
UTC5503 270.00 Each

Tonneau Cover, White

1955 1956
UTC5504 270.00 Each

Tonneau Cover, Buckskin

1956
UTC5601 270.00 Each

Tonneau Cover, Green

1956
UTC5602 270.00 Each

Tonneau Cover, Peacock

1956
UTC5603 270.00 Each

Tonneau Cover, Red

1956
UTC5604 270.00 Each

Continued on the next page

<p>Tonneau Cover, Black 1957 UTC5701 270.00 Each</p> <p>Tonneau Cover, Blue 1957 UTC5702 270.00 Each</p> <p>Tonneau Cover, Bronze 1957 UTC5703 270.00 Each</p> <p>Tonneau Cover, Green 1957 UTC5704 270.00 Each</p> <p>Tonneau Cover, Red 1957 UTC5705 270.00 Each</p> <p>Tonneau Cover, White 1957 UTC5706 270.00 Each</p>	<p>Tonneau Cover, Black, Removable 1955 1956 UTC5701 286.80 Each</p> <p>Tonneau Cover, Green, Removable 1955 UTC5702 286.80 Each</p> <p>Tonneau Cover, Red, Removable 1955 UTC5703 286.80 Each</p> <p>Tonneau Cover, White, Removable 1955 1956 UTC5704 286.80 Each</p> <p>Tonneau Cover, Buckskin, Removable 1956 UTC5705 286.80 Each</p>	<p>Tonneau Cover, Green, Removable 1956 UTC5706 286.80 Each</p> <p>Tonneau Cover, Peacock, Removable 1956 UTC5707 286.80 Each</p> <p>Tonneau Cover, Red, Removable 1956 UTC5708 286.80 Each</p> <p>Tonneau Cover, Black, Removable 1957 UTC5709 286.80 Each</p> <p>Tonneau Cover, Blue, Removable 1957 UTC5710 286.80 Each</p>	<p>Tonneau Cover, Bronze, Removable 1957 UTC5711 286.80 Each</p> <p>Tonneau Cover, Green, Removable 1957 UTC5712 286.80 Each</p> <p>Tonneau Cover, Red, Removable 1957 UTC5713 286.80 Each</p> <p>Tonneau Cover, White, Removable 1957 UTC5714 286.80 Each</p>
---	---	---	--

HARDWARE FOR THIS SECTION

<p>Screw 1955 1956 1957 Hardtop Weatherstrip Over Door And On Rear Deck, 31 Required CSB350754 0.33 Each</p> <p>T-Bolt 1955 1956 1957 Soft Top Weatherstrip CSB352222 4.39 Each</p> <p>Roll Pin 1955 1956 1957 Top Rear Clamp Stud CSB353925 0.30 Each</p> <p>Pin 1955 1956 1957 Swing Bar To Frame CSB354171 8.35 Each</p> <p>Repair Bushing 1955 1956 1957 Swing Bar Pin CSB354172 5.76 Each</p> <p>Roll Pin 1955 Top Rear Clamp Stud CSB354262 0.98 Each</p> <p>Porthole Rings To Hardtop 1955 1956 1957 DHK7000 2.31 Each</p> <p>Soft Top Rear Bow Tack Strip To Frame 1955 1956 1957 DHK7001 7.90 Each</p> <p>Hardtop Tack Strip To Top 1955 1956 1957 DHK7002 7.90 Each</p>	<p>Convertible Frame Rebuild Kit 1955 1956 1957 Early Style DHK7003 81.75 Each</p> <p>Convertible Frame Rebuild Kit 1955 1956 1957 Late Style DHK7004 100.12 Each</p> <p>Hardtop Side Clamps To Top 1955 1956 1957 DHK7005 2.11 Each</p> <p>Soft Top Side Clamps To Top 1955 1956 1957 DHK7006 2.11 Each</p> <p>Side Hold Down Plates To Body 1955 1956 1957 DHK7007 2.50 Each</p> <p>Hardtop Front Clamps To Top 1955 1956 1957 DHK7008 2.11 Each</p> <p>Soft Top Front Clamps To Top 1955 1956 1957 DHK7009 3.19 Each</p> <p>Rear Hold Down Plates To Deck 1955 1956 1957 DHK7010 3.77 Each</p>	<p>Hardtop Rear Clamp Plates To Top 1955 1956 1957 DHK7011 2.93 Each</p> <p>Soft Top Rear Clamp Plates To Top 1955 1956 1957 DHK7012 3.19 Each</p> <p>Hardtop Edge Moulding To Top 1955 1956 1957 DHK7013 3.84 Each</p> <p>Soft Top Web Plates To #2 Bow 1955 1956 1957 DHK7014 0.78 Each</p> <p>Soft Top Header Center Castings To Ends 1955 1956 1957 DHK7015 1.98 Each</p> <p>Soft Top Header End Castings To Side Rails 1955 1956 1957 DHK7016 4.39 Each</p> <p>Soft Top Bows To Frame 1955 1956 1957 DHK7017 5.04 Each</p> <p>Soft Top Head Trim To Frame 1955 1956 1957 DHK7018 11.83 Each</p>	<p>Soft Top Outside Wire-On Tips To Top 1955 1956 1957 DHK7019 0.65 Each</p> <p>Hardtop Weatherstrip To Top 1955 1956 1957 DHK7020 8.00 Each</p> <p>Soft Top Weatherstrip To Frame 1955 1956 1957 DHK7021 32.63 Each</p> <p>Soft Top T-Bolts (12 Pieces) 1955 1956 1957 DHK7022 23.99 Each</p> <p>Hardtop Binding Joint Cover To Top 1955 1956 1957 DHK7023 1.33 Each</p> <p>Soft Top Swing Arm Foot To Floor 1955 1956 1957 DHK7024 1.72 Each</p> <p>Swing Bar Foot Complete Kit 1955 1956 1957 DHK7025 18.56 Each</p> <p>Swing Bar Foot Halves Together 1955 1956 1957 DHK7026 3.38 Each</p>
--	---	--	--



B14547B

B14547A

POWER SEAT SYSTEM

- Seat Motor, 12 Volt, New**
1955 1956 1957
Dial-O-Matic Seat
B14547A 293.02 Each
- Seat Motor, 6 Volt, New**
1955
B14547B 271.38 Each
- Seat Motor, 12 Volt, New**
1955 1956 1957
B14547C 271.38 Each
- Power Window And Seat Wire**
1957
Left Side
B14631B 84.50 Each
- Power Window And Seat Wire**
1956
Left Side
B14631H 84.50 Each
- Power Window And Seat Wire**
1955
Left Side
B14631J 80.83 Each

- Power Seat To Dash Wire**
1955
B14643D 74.40 Each
- Power Seat To Dash Wire**
1956 1957
B14643E 74.40 Each
- Power Seat Wire**
1957
Left Side
B14689A 40.41 Each
- Power Seat Wire**
1955 1956
Left Side
B14689B 36.24 Each
- Power Seat Power Feed**
1957
Dial-O-Matic Seat
B14774A 89.70 Each
- Power Seat Coupling**
1955 1956 1957
B23279A 11.95 Each

- Power Window Or Seat Motor Coupler**
1955 1956 1957
1955/60 Window Motor, 1961/66
Seat Motor
B23440A 3.09 Each

- Power Seat Worm Gear Tube Kit**
1955 1956 1957
B60477A 15.08 Each
- Power Seat Assist Spring**
1955 1956 1957
B61828A 10.65 Each



SEAT STOP PAD SET

Seat Stop Pad Set
1955 1956 1957
B61062A 10.69 Pair

MANUAL SEAT ADJUSTMENT

Seat Adjust Knob
1955 1956 1957
Manual Seat
B61755A 15.87 Each

Seat Adjusting Cable Assembly
1955 1956 1957
Manual Seat
B62190A 11.24 Each

Seat Adjusting Lever Shield
1955 1956 1957
B62198A 8.95 Each

SEAT BELTS

- Seat Belts, Black, Pair**
1955 1956 1957
DSB034 104.27 Pair
- Seat Belts, Red, Pair**
1957
DSB036 104.27 Pair
- Seat Belts, White, Pair**
1955 1956
DSB037 104.27 Pair
- Seat Belts, Buckskin, Pair**
1956
DSB038 104.27 Pair
- Seat Belts, Green, Pair**
1956
DSB039 104.27 Pair



DSB036

- Seat Belts, Blue, Pair**
1957
DSB042 104.27 Pair
- Seat Belts, Green, Pair**
1957
DSB044 104.27 Pair
- Seat Belts, White, Pair**
1957
DSB045 120.07 Pair

HARDWARE FOR THIS SECTION

- Wiring Clip, Rubber Coated**
1955 1956 1957
Window And Seat Motor
Wiring
CSB358355 1.87 Each
- Power Seat Gear Clevis Pins And Clips**
1955 1956 1957
DHK6022 5.60 Each

- Power Seat Bracket To Floor**
1955 1956 1957
DHK6023 1.46 Each
- Floor Plugs For Power Seats**
1955 1956 1957
DHK6024 1.24 Each
- Seat Back Panel To Seat**
1955 1956 1957
DHK6025 6.24 Each



B1354AK

CONTINENTAL KIT HINGE

Continental Kit Hinge Grommet Set
1956
A1354AK..... 12.00 Pair

FRAME TO BODY

Frame To Body Bumper Kit
1955 1956 1957
Includes Clips
A5008AK..... 15.00 Each



A9080A

GAS FILLER AREA

Gas Filler Neck Grommet
1955 1956
A9080A.....11.38 Each

Bumper Set
1955 1956
Gas Door
CSB357170AK..... 3.80 Pair

Bumper Set
1957
Gas Door
CSB357170BK 0.98 Pair

FIREWALL

Firewall Grommet Set
1955 1956 1957
B01605A.....11.80 Set

Grommet
1955 1956 1957
Tachometer Cable At Firewall
CSB352962..... 2.44 Each

Grommet
1955 1956 1957
Washer Hose At Firewall
CSB373195 0.49 Each



BB01605A

SPEEDOMETER AND OVERDRIVE CABLES

Speedometer Cable Grommet
1955 1956 1957
Ford-O-Matic Transmission
B01694A..... 1.47 Each

Overdrive Cable Grommet
1955 1956 1957
B01694B..... 7.45 Each



B06066AK

GLOVE BOX

Glove Box Grommet And Bumper Set
1955 1956 1957
B06066AK.....1.10 Each

HEATER MOTOR

Heater Motor Grommet
1955 1956 1957
B18528A.....3.97 Each



B11135UK

FLOOR AND COWL

Floor and Cowl Plug Set
1957
B11135CK..... 14.00 Each

Floor and Cowl Plug Set
1955 1956
B11135UK..... 13.00 Each



B11136BK

QUARTER PANEL DRAIN

Quarter Panel Drain Plug Set
1955 1956 1957
B11136BK..... 9.20 Each

FLOOR ACCESS HOLE

Floor Access Hole Plug
1955 1956 1957
B12128B6.14 Each



B13398A



B16758LK



B13398A



B16758MK

HOOD AND TRUNK LID BUMPERS

Rubber Bumpers
1955 1956 1957
1955 - 1959, Rear License Plate Support; 1955 - 1956, Trunk Lid
B13398A..... 6.76 Pair

Hood Bumper Set
1956
B16758DK 2.70 Each

Trunk Lid Bumper Set
1957
B16758LK..... 2.30 Pair

Hood Bumper Set
1957
B16758MK..... 2.80 Each



B14651A

INNER FENDER APRON

Inner Fender Apron Grommet
1955 1956 1957
B14651A 4.93 Each

BATTERY

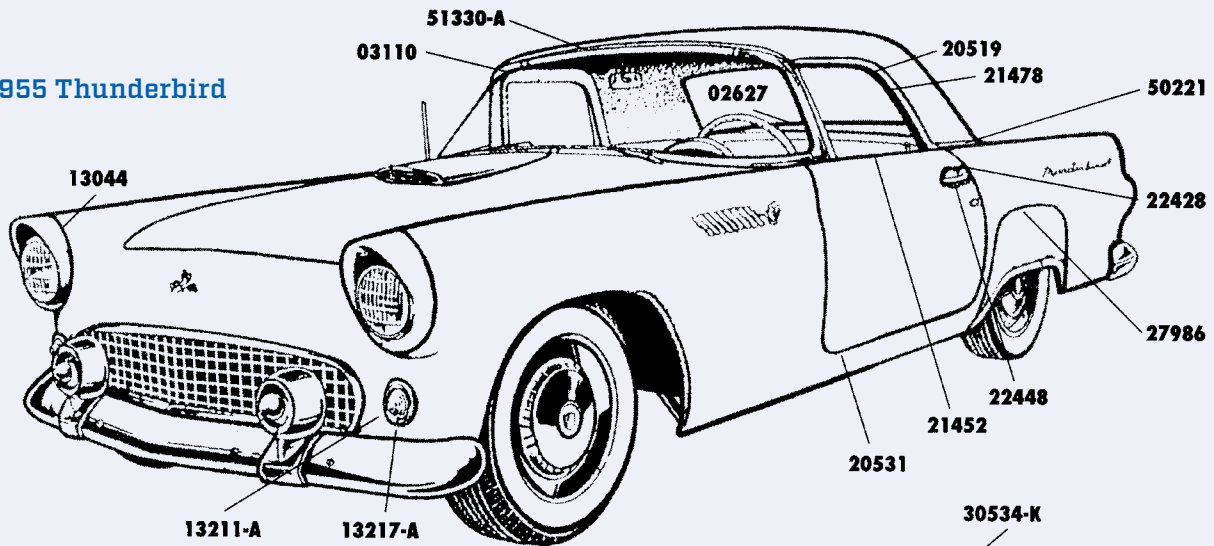
Grommet
1955 1956 1957
Battery Hold Down Bolt
CSB700045..... 0.98 Each

VALVE COVER GROMMETS

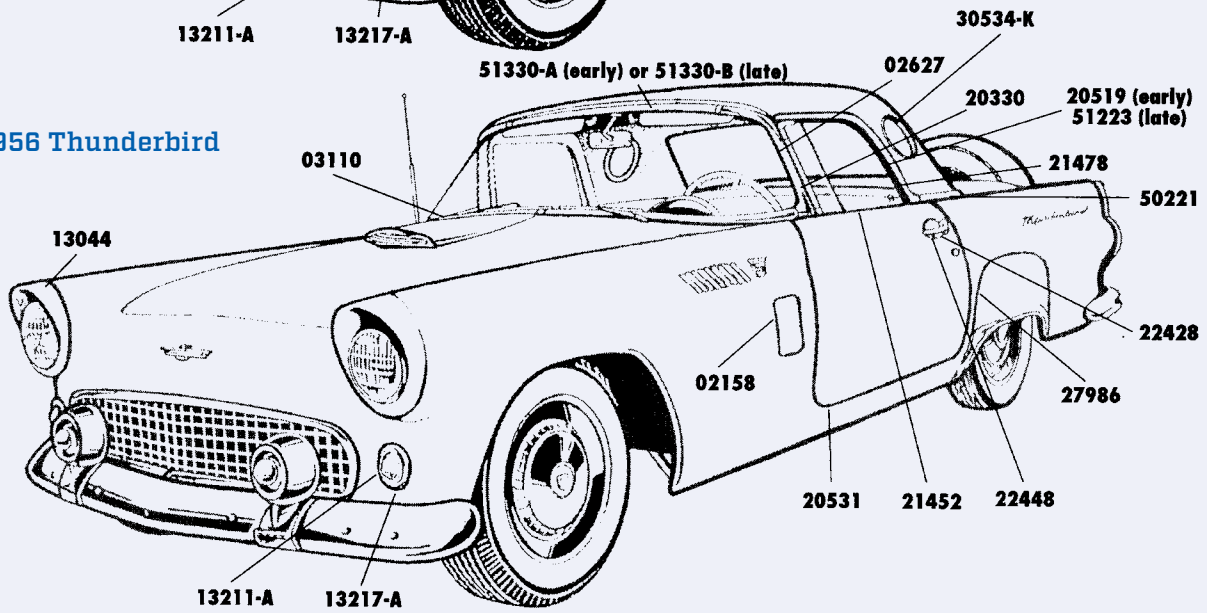
Valve Cover Grommet and Washer
1955 1956 1957
Steel Valve Covers
A6570AK 4.00 Each

Grommet
1955 1956 1957
1955/57 Aluminum Valve Covers; 1958/66 Eaton Power Steering Pump Reservoir Cover
A6570B..... 2.25 Each

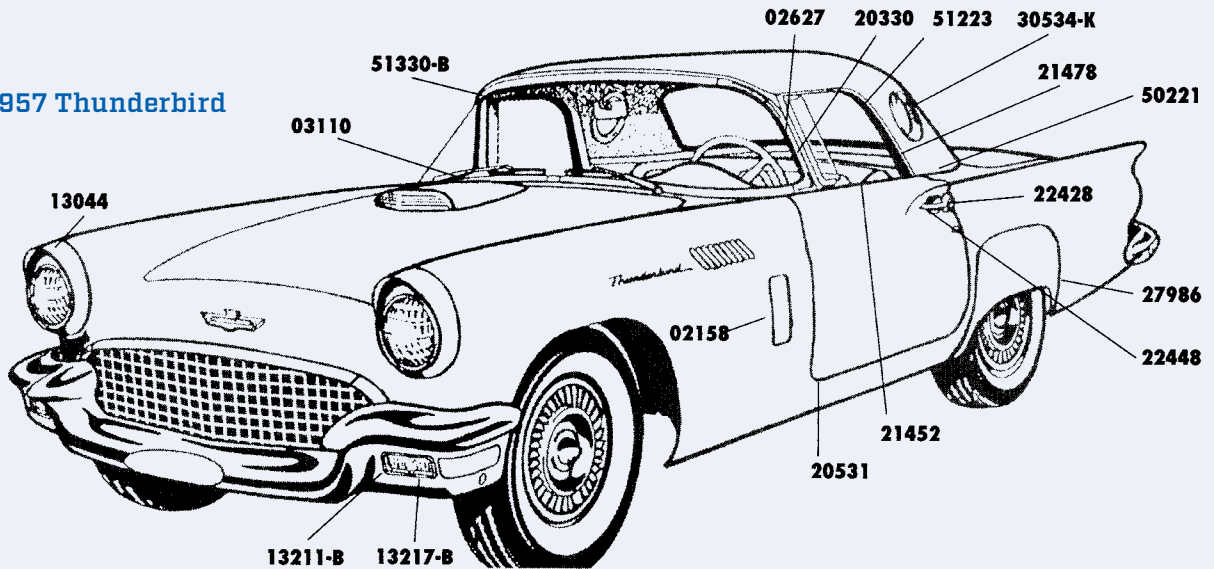
1955 Thunderbird



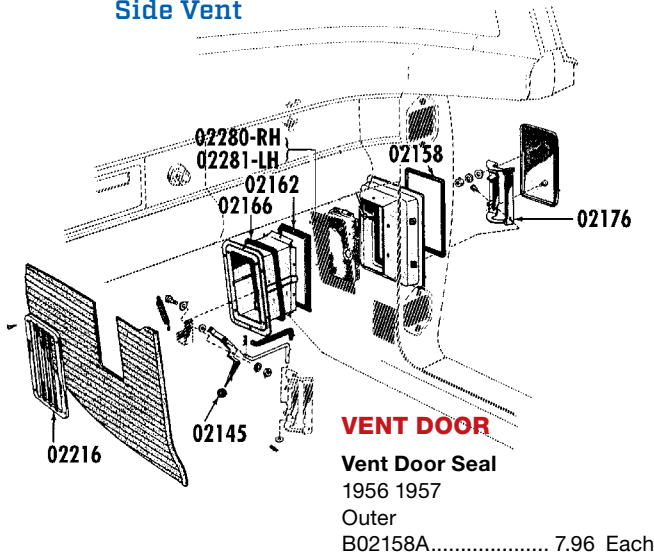
1956 Thunderbird



1957 Thunderbird



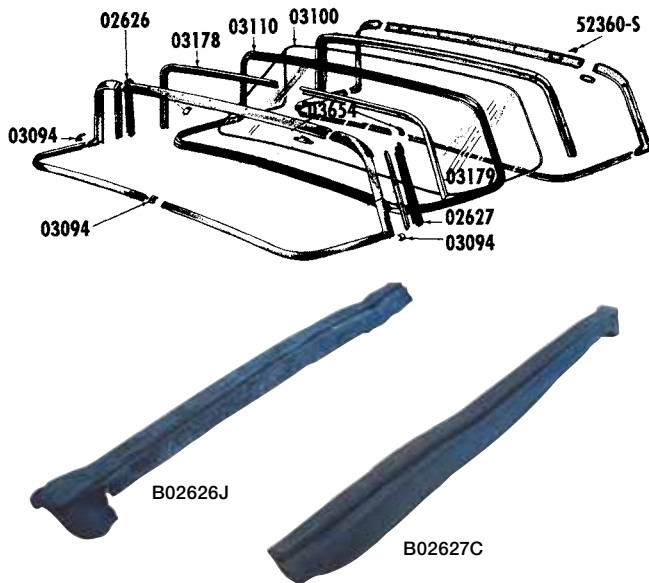
Side Vent



VENT DOOR

Vent Door Seal
 1956 1957
 Outer
 B02158A..... 7.96 Each

Windshield Weather



WINDSHIELD AREA

Windshield Pillar Weatherstrip
 1955 1956 1957
 Right
 B0262J..... 17.95 Each

Windshield Pillar Weatherstrip
 1955 1956 1957
 Left
 B02627C..... 17.95 Each

Windshield Weatherstrip
 1955 1956 1957
 B03110P..... 112.03 Each

Give us a call if you can't find the parts you need. Our knowledgeable parts specialists will be happy to help!

Our Lamp Gasket Kits are your most economical way to purchase lamp gaskets for your restoration project. Each Lamp Gasket Kit includes gaskets for the following: Headlamps; Parking Lamps; Tail Lamps; Backup Lamps & License Plate Lamps.



B13000AK

LIGHT GASKET SETS

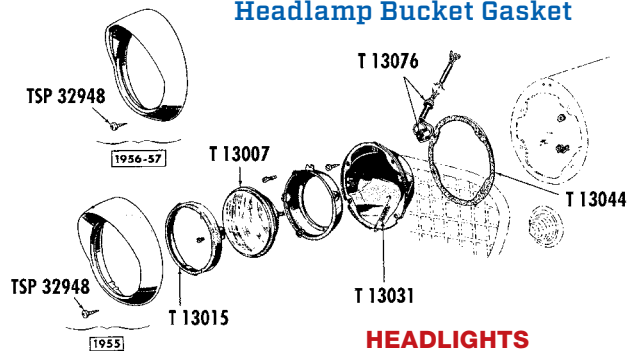
Light Gasket Set
 1955
 With Backup Lights
 B13000AK..... 48.00 Each

Light Gasket Set
 1955
 Without Backup Lights
 B13000BK..... 47.00 Each

Light Gasket Set
 1956
 B13000CK..... 42.00 Each

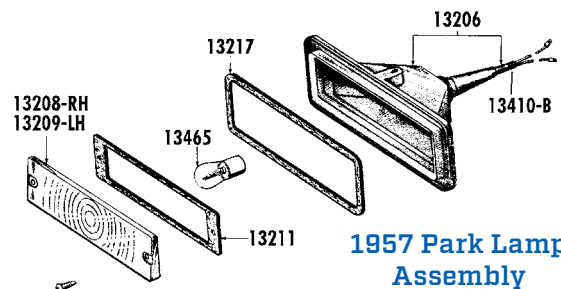
Light Gasket Set
 1957
 B13000DK..... 31.00 Each

Headlamp Bucket Gasket



HEADLIGHTS

Headlight Gasket
 1955 1956 1957
 B13044C..... 3.90 Each



1957 Park Lamp Assembly

PARK LIGHTS

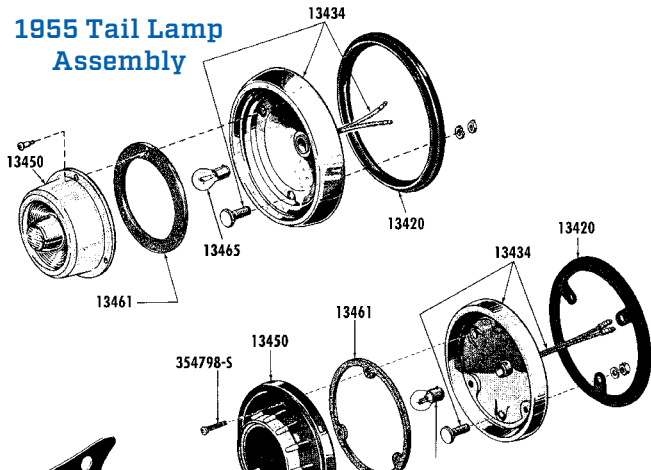
Park Light Lens Gasket
 1957
 B13211F..... 1.79 Each

Park Light Lens Gasket
 1955 1956
 B13211I..... 1.07 Each

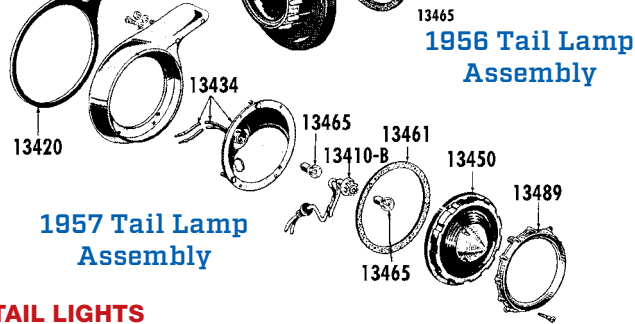
Park Light Body Pad
 1955 1956
 B13217A..... 2.76 Each

Park Light Body Pad
 1957
 B13217D..... 1.47 Each

1955 Tail Lamp Assembly



1956 Tail Lamp Assembly



1957 Tail Lamp Assembly

TAIL LIGHTS

Tail Light Door Pad

1957
B13420C.....3.90 Each

Tail Light Body Pad

1955 1956
B13420E.....7.80 Each

Tail Light Lens Gasket

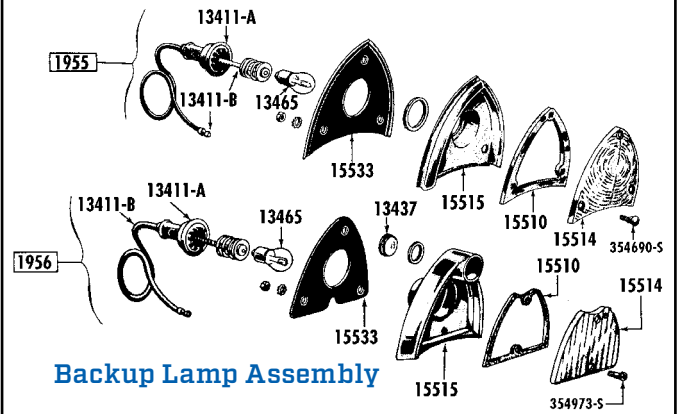
1956
B13461F.....2.50 Each

Tail Light Lens Gasket

1957
B13461H.....3.90 Each

Tail Light Lens Gasket

1955
B13461I.....3.58 Each



Backup Lamp Assembly



B15510C



B15510F



B15533A



B15533B



B15533F

BACKUP LIGHTS

Backup Light Lens Gasket

1956
B15510C.....1.30 Each

Backup Light Lens Gasket

1955
B15510F.....1.14 Each

Backup Light Body Pad

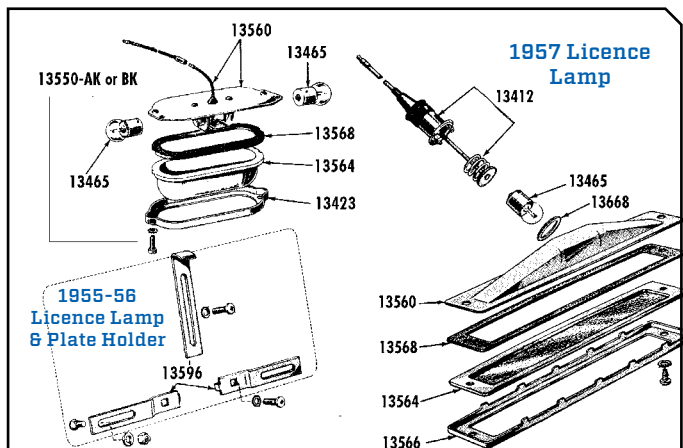
1955
B15533A.....3.74 Each

Backup Light Body Pad

1956
B15533B.....1.30 Each

Backup Light Body Pad

1955
B15533F.....3.42 Each



1957 Licence Lamp

1955-56 Licence Lamp & Plate Holder

REAR LICENSE LIGHT

Rear License Light Lens Gasket

1957
B13568A.....1.30 Each

Rear License Light Lens Gasket

1955 1956
B13568B.....1.30 Each

HOOD PAD

Hood Pad With Drive Nails

1956 1957
B16740AK.....14.00 Each

Hood Pad With Drive Nails

1955
B16740GK.....8.30 Each

ANTENNA

Antenna Lead-In Seal

1955 1956 1957
B18912A..... 2.59 Each

Antenna Stanchion

1955 1956 1957
B18919A..... 10.02 Each

Antenna Pad

1955 1956 1957
For Front Mount Antenna
B18919C..... 4.39 Each

DOORS

Door Weatherstrip

1955 1956 1957
Right Side
B20530X..... 35.00 Each

Door Weatherstrip

1955 1956 1957
Left Side
B20531A..... 35.00 Each

Door At Belt Weatherstrip

1955 1956 1957
B20570A..... 2.57 Each



Larry's Body Rubber Kits are your most economical way to purchase body Weatherstripping, Pads & Bumpers for your restoration project.



B21000AK

BODY RUBBER KITS

Body Rubber Kit

1957
B21000AK..... 201.00 Each

Body Rubber Kit

1955
B21000HK..... 202.00 Each

Body Rubber Kit

1956
B21000IK..... 220.00 Each

B21000HK '55; Includes: Gas Filler Neck Grommet, Front Body Pillar Weatherstrip, Deck Lid Bumper, Hood Pad, Antenna Mounting Pad, Door Pillar Weatherstrip, Door Weatherstrip, Door at Belt (Front) Weatherstrip, Outside Door Handle Pads, Fender Skirt Seals, Trunk Lock Cylinder Pad, Trunk Lid Weatherstrip, Gas Door Bumpers.

B21000IK '56; Includes: Gas Filler, Neck Grommet, Vent Door Seals, Front Body Pillar Weatherstrip, Deck Lid Bumpers, Hood Pad, Hood Bumpers, Antenna Mounting Pad, Door Pillar Weatherstrip, Door Weatherstrip, Door At Belt (Front) Weatherstrip, Outside Door Handle Pads, Fender Skirt Seals, Trunk Lock Cylinder Pad, Trunk Lid Weatherstrip, Gas Door Bumpers.

B21000AK '57; Includes: Vent Door Seals, Front Body Pillar Weatherstrip, Deck Lid Bumpers, Hood Pad, Hood Bumpers, Antenna Mounting Pad, Door Pillar Weatherstrip, Door Weatherstrip, Door At Belt (Front) Weatherstrip, Outside Door Handle Pads, Fender Skirt Seals, Trunk Lock Cylinder Pad, Trunk Lid Weatherstrip, Gas Door Bumpers.



B21452C

CAT WHISKER SET

Cat Whisker Set

1955 1956 1957
Like Original
B21452C..... 124.96 Each



B22428E



B22448A

OUTSIDE DOOR HANDLES

Outside Door Handle Pad, Large

1955 1956 1957
B22428E..... 0.98 Each

Outside Door Handle Pad, Small

1955 1956 1957
B22448A..... 0.98 Each

FENDER SKIRTS

Fender Skirt Seal

1955 1956 1957
B27986E..... 13.42 Each

REAR WINDOW

Rear Window Seal

1955 1956 1957
Hardtop
B42084N 50.18 Each



B43625A



B43625F

TRUNK AREA

Trunk Lock Housing Pad

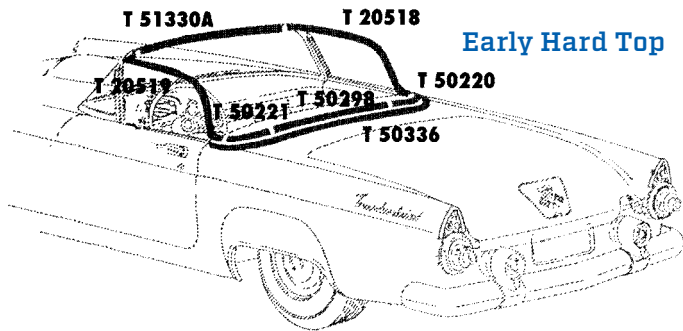
1957
B43625A..... 3.75 Each

Trunk Lock Housing Pad

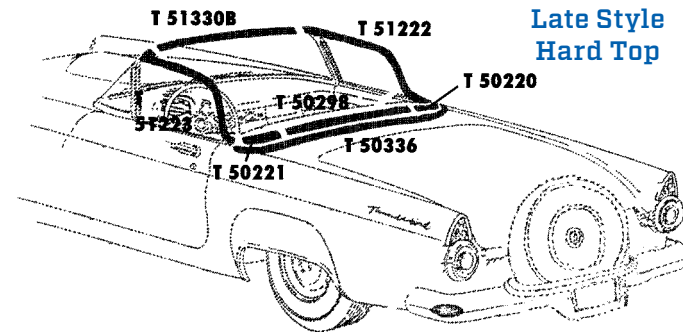
1955 1956
B43625F..... 3.95 Each

Trunk Lid Weatherstrip

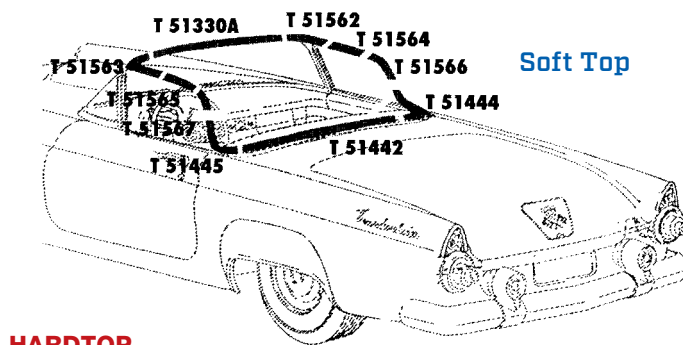
1955 1956 1957
B43720G 30.65 Each



Early Hard Top



Late Style Hard Top



Soft Top

HARDTOP

- Hardtop Weatherstrip Over Door**
1955 1956
Right Side, Early Style
B20518A.....110.00 Each
- Hardtop Weatherstrip Over Door**
1955 1956
Left Side, Early Style
B20519A.....110.00 Each
- Hard Top Rear Deck Weatherstrip**
1955 1956 1957
Right Side
B50220A..... 45.00 Each
- Hard Top Rear Deck Weatherstrip**
1955 1956 1957
Left Side
B50221A..... 45.00 Each
- Hard Top Rear Deck Center Weatherstrip**
1955 1956 1957
B50298A 45.00 Each

- Hard Top Rear Moulding Weatherstrip**
1955 1956 1957
B50336A 15.00 Each
- Hardtop Weatherstrip Over Door**
1956 1957
Right Side, Late Style
B51222H.....110.00 Each
- Hardtop Weatherstrip Over Door**
1956 1957
Left Side, Late Style
B51223A.....110.00 Each
- Header Weatherstrip**
1955 1956 1957
Soft Top, 1955/57; Hard Top,
1955 To Early 1956; 43 1/2 Inch
B51330A.....90.00 Each
- Header Weatherstrip**
1956 1957
Hardtop, From Late 1956
B51330B..... 90.00 Each

- Hardtop Weatherstrip Kit, 7 Piece**
1956 1957
From Late 1956
B51500AK 420.00 Each
- Hardtop Weatherstrip Kit, 7 Piece**
1955 1956
To Early 1956, Cloth Covered
Over Doors
B51500CK..... 420.00 Each

SOFT TOP

- Header Weatherstrip**
1955 1956 1957
Soft Top, 1955/57; Hard Top,
1955 To Early 1956; 43 1/2 Inch
B51330A.....90.00 Each
- Soft Top Rear Deck Center Weatherstrip**
1955 1956 1957
B51442A..... 50.00 Each
- Soft Top Rear Deck Weatherstrip**
1955 1956 1957
Right Side
B51444A..... 32.50 Each
- Soft Top Rear Deck Weatherstrip**
1955 1956 1957
Left Side
B51445A..... 32.50 Each
- Soft Top Weatherstrip Kit, 10 Piece**
1955 1956 1957
B51500BK 420.00 Each
- Soft Top Side Front Weatherstrip**
1955 1956 1957
Right Side
B51562A.....37.00 Each
- Soft Top Side Front Weatherstrip**
1955 1956 1957
Left Side
B51563A.....37.00 Each
- Soft Top Side Center Weatherstrip**
1955 1956 1957
Right Side
B51564A.....37.00 Each
- Soft Top Side Center Weatherstrip**
1955 1956 1957
Left Side
B51565A.....37.00 Each
- Soft Top Side Rear Weatherstrip**
1955 1956 1957
Right Side
B51566A.....37.00 Each

- Soft Top Side Rear Weatherstrip**
1955 1956 1957
Left Side
B51567A37.00 Each



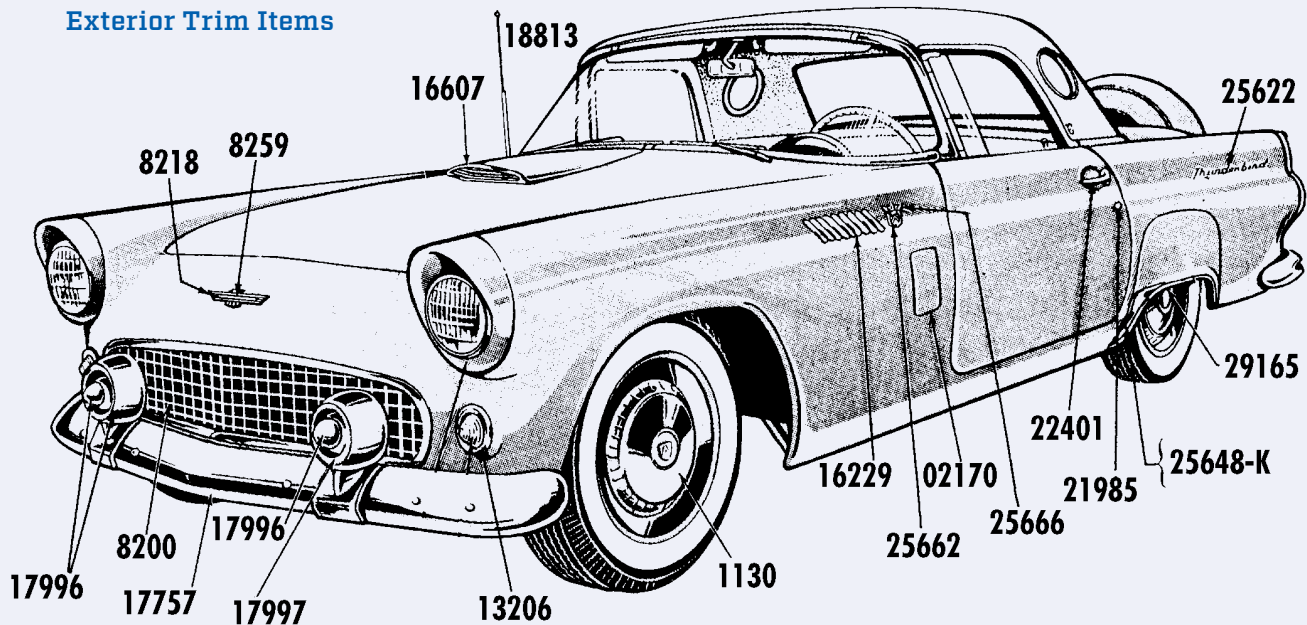
WEATHERSTRIP ADHESIVE

- Weatherstrip Adhesive, Black**
1955 1956 1957
DSS01 15.28 Each
- Weatherstrip Adhesive, Yellow**
1955 1956 1957
DSS029.10 Each

HARDWARE FOR THIS SECTION

- Screw**
1955 1956 1957
Hardtop Weatherstrip Over Door And On Rear Deck, 31 Required
CSB350754.....0.33 Each
- T-Bolt**
1955 1956 1957
Soft Top Weatherstrip
CSB352222.....4.39 Each
- Hood Pad To Body Nails**
1955 1956 1957
DHK2016..... 1.79 Each
- Pillar Weatherstrip To Pillar**
1955 1956 1957
DHK50072.11 Each
- Hardtop Weatherstrip To Top**
1955 1956 1957
DHK7020.....8.00 Each
- Soft Top Weatherstrip To Frame**
1955 1956 1957
DHK702132.63 Each
- Soft Top T-Bolts (12 Pieces)**
1955 1956 1957
DHK7022.....23.99 Each

Exterior Trim Items



WHEELS

- Spinner Center Only, Black**
A1018ABK 33.32 Each
- Spinner Center Only, Blue**
A1018ABU 29.98 Each
- Spinner Center Only, Green**
A1018AGN 29.98 Each

- Spinner Center Only, Red**
A1018ARD 33.32 Each
- Wheel Cover Center**
1955 1956
Standard Wheel Cover
A1141A 28.96 Each



DASH

- V8 Emblem**
1955 1956
B04407B 17.54 Each
- Dash Emblem**
1955 1956
B04460B 27.99 Each



B04407B



B16099OK

Save When You Purchase Complete Emblem Kits!

Larry's Exterior Emblem Kits are your most economical way to purchase exterior trim emblems for your restoration project.

EXTERIOR EMBLEM SETS

- Exterior Emblem Set**
1956
B16099BK 245.00 Kit

- Exterior Emblem Set**
1957
B16099NK 235.00 Kit
- Exterior Emblem Set**
1955
B16099OK 315.00 Kit



A3636C



A3636A



A3636B

HORN RING

- Horn Ring Emblem**
1956
A3636A 40.86 Each

- Horn Ring Emblem**
1957
A3636B 19.95 Each
- Horn Ring Emblem**
1955
A3636C 14.63 Each



EXTERIOR BODY EMBLEMS

Nose Panel Nameplate

1956 1957
A8218A.....11.99 Each

Nose Panel Nameplate Bezel

1956 1957
A8259C19.47 Each

Emblem Pad

1955 1956 1957
Nose Panel Ornament And Ford
Crest Emblems
B04541A.....0.65 Each

Thunderbird Script

1957
1957-1962 Fender Or Door
Except 1960; 1958-1960 Spare
Wheel Carrier
B16098E.....29.95 Each

Fender Hash Mark Emblem

1955 1956 1957
Right Side
B16228M.....42.22 Each

Fender Hash Mark Emblem

1955 1956 1957
Left Side
B16229A.....42.22 Each

Fender Emblem Nut

1955 1956 1957
Hash Marks And V8 Emblems
B16230A.....0.13 Each

Fender V8 Emblem

1955
B16237A25.02 Each

Hood Grille

1955 1956 1957
B16607B.....73.40 Each

Thunderbird Script

1955 1956
Rear Quarter Panel
B25622A.....28.00 Each

Ford Crest Medallion

1955 1956
1955 Nose Panel, Gas Filler
Door, And Hard Top; 1956
Fender
B25662A.....16.95 Each

Ford Crest Medallion

Retainer
1955 1956
1955 Nose Panel, Gas Filler
Door, And Hard Top; 1956
Fender
B25666A.....17.50 Each

Trunk Handle Nameplate

1957
B42530A.....16.00 Each

Cross Flags

1955
B42550A.....25.96 Each

Trunk Handle Ornament

1957
B43500E40.63 Each



B50270A

HARDTOP ROOF SIDE

Emblem Pad

1955 1956 1957
Nose Panel Ornament And
Ford Crest Emblems
B04541A.....0.65 Each

Ford Crest Medallion

1955 1956
1955 Nose Panel, Gas Filler
Door, And Hard Top; 1956
Fender
B25662A.....16.95 Each

Ford Crest Medallion Retainer

1955 1956
1955 Nose Panel, Gas Filler
Door, And Hard Top; 1956
Fender
B25666A.....17.50 Each

Roof Side Ornament

1957
Non-Porthole Hardtop
B50270A.....25.63 Each

Roof Side Ornament Retainer

1957
Non-Porthole Hardtop
B50292A17.45 Each

HARDWARE FOR THIS SECTION

Barrel Nut, Medium Size

1955 1956 1957
Thunderbird Script
CSB3535770.12 Each

Thunderbird Script On Quarter Panel

1955 1956
DHK2004.....1.33 Each

Crest Emblem And Cross Flag Hardware

1955 1956
DHK2005.....1.04 Each

Hash Marks To Front Fender

1955 1956 1957
DHK20112.37 Each

Hood Emblem To Hood

1955 1956 1957
DHK20124.26 Each

Nameplate To Nose Panel

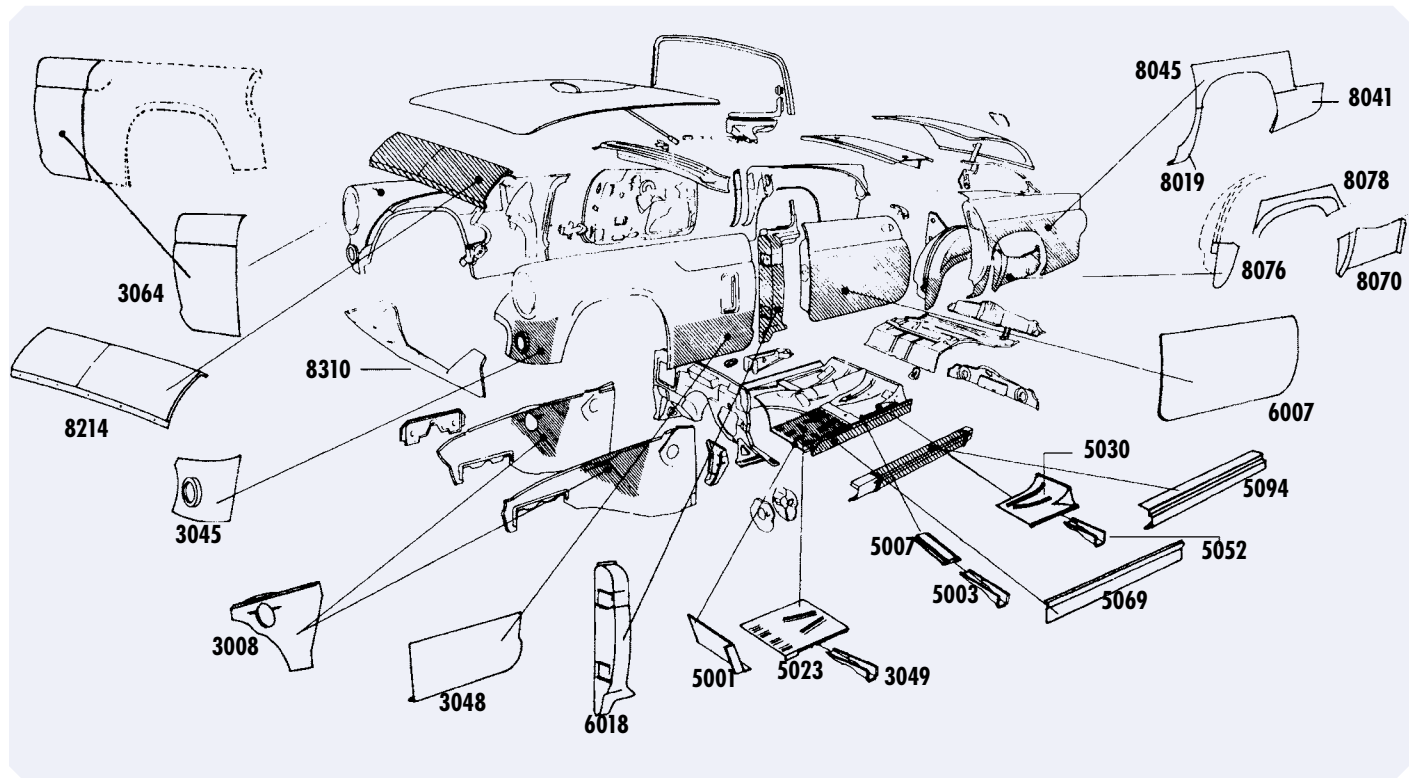
1956 1957
DHK2022.....0.78 Each

Thunderbird Script On Fender

1957
DHK2026.....2.67 Each

Trunk Handle Mounting

1957
DHK8008.....3.32 Each



NOSE PANEL

Nose Panel

1955 1956 1957

A8214A.....480.15 Each



FENDER AND ENGINE COMPARTMENT

Fender Apron Center

1955 1956 1957

Right Side

DBP3008.....124.42 Each

Fender Apron Center

1955 1956 1957

Left Side

DBP3009.....124.42 Each

Fender Apron Shield

1955 1956 1957

DBP3042.....23.30 Each

Fender At Parklight

1955 1956

Right

DBP3043.....146.13 Each

Fender At Parklight

1957

Right

DBP3044.....116.73 Each

Fender At Parklight

1957

Left

DBP3045.....116.07 Each

Fender At Parklight

1955 1956

Left

DBP3046.....148.63 Each

Fender Lower Rear

1955 1956 1957

Right

DBP3047.....65.13 Each

Fender Lower Rear

1955 1956 1957

Left

DBP3048.....82.67 Each

Front Fender, Rear

1956 1957

Right Side

DBP3063.....455.91 Each

Front Fender, Rear

1955

Left Side

DBP3064.....409.15 Each

Front Fender, Rear

1955

Right Side

DBP3065.....409.15 Each

Front Fender, Rear

1956 1957

Left Side

DBP3066.....455.91 Each

COWL AND KICK PANEL AREA

Kick Repair Panel

1955

Left

DBP4006.....154.48 Each

Kick Repair Panel

1955

Right

DBP4007.....154.48 Each

Kick Repair Panel

1956 1957

Right

DBP4008.....197.73 Each

Kick Repair Panel

1956 1957

Left

DBP4009.....197.73 Each

FLOOR AND ROCKER PANELS

Sloping Firewall Floor

1955 1956 1957

Right

DBP5000.....96.78 Each

Sloping Firewall Floor

1955 1956 1957

Left

DBP5001.....96.78 Each

Center Floor Brace

1955 1956 1957

DBP5003.....65.97 Each

Center Floor Section

1955 1956 1957

Right

DBP5005.....96.78 Each

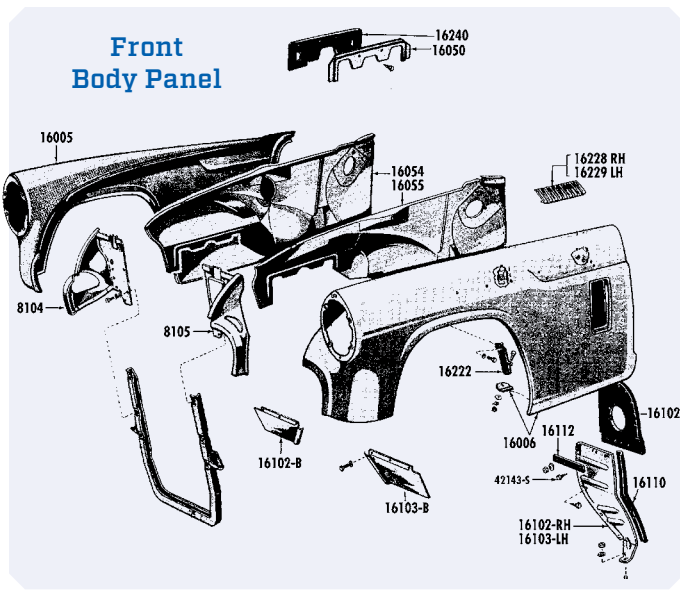
Center Floor Section

1955 1956 1957

Left

DBP5007.....96.78 Each

Continued on the next page



Front Body Panel

- Front Floor Section**
1955 1956 1957
Right
DBP5022 171.18 Each
- Front Floor Section**
1955 1956 1957
Left
DBP5023 171.18 Each
- Rear Floor Section**
1955 1956 1957
Left
DBP5030 171.18 Each
- Rear Floor Section**
1955 1956 1957
Right
DBP5031 171.18 Each

- Front Floor Brace**
1955 1956 1957
DBP5049 65.97 Each
- Rear Floor Brace**
1955 1956 1957
DBP5052 65.97 Each
- Inner Rocker Panel**
1955 1956 1957
Left
DBP5069 58.37 Each
- Inner Rocker Panel**
1955 1956 1957
Right
DBP5074 58.37 Each



DBP6006

DOOR POST AND DOOR

- Door Bottom Repair Panel**
1955 1956 1957
Right
DBP6001 58.45 Each
- Door Bottom Repair Panel**
1955 1956 1957
Left
DBP6002 58.45 Each
- Lower Door Skin**
1955 1956 1957
Right
DBP6006 137.78 Each

- Lower Door Skin**
1955 1956 1957
Left
DBP6007 137.78 Each
- Door Hinge Nut Plate**
1955 1956 1957
DBP6016 41.75 Each
- Door Hinge Panel**
1955 1956 1957
Right Side
DBP6017 137.78 Each
- Door Hinge Panel**
1955 1956 1957
Left Side
DBP6018 137.78 Each

- Outer Rocker Panel, Short**
1955 1956 1957
Right
DBP5093 96.03 Each
- Outer Rocker Panel, Short**
1955 1956 1957
Left
DBP5094 96.03 Each
- Dimmer Switch Hole Cover**
1955 1956 1957
DBP5103 50.10 Each



B27974F

REAR QUARTER PANELS

- Fender Skirts, Pair**
1955 1956 1957
B27974F 399.95 Pair
- Fender Skirt Kit**
1957
B27975AK 695.00 Kit
- Fender Skirt Kit**
1955 1956
B27975BK 695.00 Kit
- Lower Front Quarter Panel**
1955 1956 1957
Right
DBP8018 86.01 Each
- Lower Front Quarter Panel**
1955 1956 1957
Left
DBP8019 86.01 Each
- Lower Rear Quarter Panel**
1955 1956 1957
Right Side
DBP8032 132.77 Each
- Lower Rear Quarter Panel**
1955 1956 1957
Left Side
DBP8041 132.77 Each
- Lower Quarter Panel**
1955 1956 1957
Right Side, Full Length
DBP8044 321.48 Each
- Lower Quarter Panel**
1955 1956 1957
Left Side, Full Length
DBP8045 321.48 Each
- Wheelhouse Extension**
1957
Right Side
DBP8065 149.47 Each

- Wheelhouse Extension**
1955
Right Side
DBP8066 149.47 Each
- Wheelhouse Extension**
1956
Right Side
DBP8067 149.47 Each
- Wheelhouse Extension**
1957
Left Side
DBP8068 149.47 Each
- Wheelhouse Extension**
1956
Left Side
DBP8069 149.47 Each
- Wheelhouse Extension**
1955
Left Side
DBP8070 149.47 Each
- Wheelhouse Lower Front**
1955 1956 1957
Right Side
DBP8075 79.33 Each
- Wheelhouse Lower Front**
1955 1956 1957
Left Side
DBP8076 79.33 Each
- Wheelhouse Top Cap**
1955 1956 1957
Right Side
DBP8077 64.30 Each
- Wheelhouse Top Cap**
1955 1956 1957
Left Side
DBP8078 64.30 Each

TRUNK

- Trunk Floor Panel**
1956
DBP9013 640.45 Each
- Trunk Floor Brace**
1957
DBP9019 146.13 Each
- Trunk Floor Panel**
1955
DBP9026 640.45 Each

HARDWARE FOR THIS SECTION

- Fender Support Brackets**
1955 1956 1957
DHK2010 3.71 Each
- Hood To Hinges**
1955 1956 1957
DHK2018 1.92 Each

Most of the single parts in this section are what Ford Motor Company called "Standard Parts". They are items that are used in a variety of circumstances on a variety of models. If you don't find your part in these lists, try searching in the Table of Contents at the beginning of the catalog for the appropriate category of regular parts in which your item may be found.

SINGLE PIECE HARDWARE AND ATTACHING PARTS

BOLTS

Bumper Bolt, Chrome

1955 1956 1957
B17758A..... 1.97 Each

Bumper Bolt, Long

1955 1956 1957
1 1/2 Inch
B17758E..... 1.94 Each

Hex Head Bolt, 3/8-24 X 3/4

1955 1956 1957
Booster Bracket To Apron
CSA20349..... 0.40 Each

Hexbolt

1955 1956 1957
Exhaust Hanger And Booster To
Bracket
CSA20387..... 0.37 Each

Bolt

1955 1956 1957
Engine Support
CSA21090..... 3.34 Each

Bolt

1955 1956 1957
Power Steering Connector
CSB351792..... 21.63 Each

T-Bolt

1955 1956 1957
Soft Top Weatherstrip
CSB352222..... 4.39 Each

Bolt

1955
Backup Light Lens
CSB354690..... 1.27 Each

BUSHINGS

Repair Bushing

1955 1956 1957
Swing Bar Pin
CSB354172..... 5.76 Each

CLIPS

Tach Cable Clip

1955 1956 1957
At Firewall
B14450A..... 1.55 Each

Instrument Loom Clip Set

1957
B14585A..... 8.48 Each

Moulding Clip

1955 1956
Upper Grille Moulding
B16241A..... 1.22 Each

Grille Upper Molding Clip

1957
B16241B..... 1.84 Each

Hood Blockoff Plate Clip

1955 1956 1957
B16873A..... 0.81 Each

Gas Line Clip

1955 1956 1957
4 Required
CSA95806..... 5.51 Each

Wiring Clip, Green

1955 1956 1957
Engine Compartment
CSB352999..... 3.24 Each

Wiring Clip, Rubber Coated

1955 1956 1957
CSB356628..... 2.22 Each

Wiring Clip

1955 1956 1957
Automatic Transmission At Fan
Shroud
CSB356640..... 1.57 Each

Clip

1955 1956 1957
Brake Line, 4 Required
CSB357331..... 3.02 Each

Clip

1955 1956 1957
Door And Window Handle
CSB357550..... 0.26 Each

Wiring Clip, Rubber Coated

1955 1956 1957
Generator Wires To Shroud
CSB358350..... 2.20 Each

Wiring Clip, Rubber Coated

1955 1956 1957
Window And Seat Motor Wiring
CSB358355..... 1.87 Each

Clip

1955 1956 1957
Door Panel
CSB358575..... 0.25 Each

Clip

1955 1956 1957
Transmission Cooling Line Clip
CSB359280..... 9.39 Each

DRIVE NAILS

Hood Pad Drive Nail

1955 1956 1957
B16740C..... 0.15 Each

FITTINGS

Fuel Line Fitting

1955 1956 1957
Mid Point
CSA87213..... 2.71 Each

Grease Fitting, 1/4 Inch, Straight

1955 1956 1957
CSA87907..... 0.40 Each

Grease Fitting, 1/4 Inch, 90 Degree

1955 1956 1957
CSA87924..... 1.04 Each

Fuel Line Fitting

1955 1956 1957
Fuel Pump, Fuel Filter
CSA87972..... 2.37 Each

Fitting, Female Type

1955 1956 1957
Power Steering Pressure Hose
At Pump; 1955 To Early 1957
CSB351791..... 19.62 Each

Fitting

1955 1956 1957
Brake Line To Booster
CSB353706..... 4.11 Each

Manifold Vacuum Fitting, Brass

1955 1957
Power Brakes
CSB354447A..... 53.44 Each

Manifold Vacuum Fitting, Brass

1956
Power Brakes
CSB354447B..... 41.67 Each

Fitting

1955 1957
Booster
CSB354448..... 4.66 Each

Elbow Fitting

1955 1956 1957
Flex Line To Fuel Pump
CSB357466..... 2.69 Each

Grease Fitting, 90 Degree

1955 1956 1957
Manual Steering Idler Arm
Bushing
CSB358032..... 1.24 Each

Fitting

1955 1956 1957
Transmission Cooling Line To
Radiator
CSB359279..... 2.54 Each

Adapter Fitting

1955 1956 1957
To Adapt 1957 Power Steering
Hoses To 1955/56 Ram Cylinder
CSB383063..... 12.79 Each

GROMMETS

Grommet

1955 1956 1957
Tachometer Cable At Firewall
CSB352962..... 2.44 Each

Grommet

1955 1956 1957
Vent Cable At Firewall
CSB353626..... 2.93 Each

Grommet

1955 1956 1957
Battery Hold Down Bolt
CSB700045..... 0.98 Each

JUNCTION BLOCKS

Junction Block

1955 1956 1957
Front Brake Line
CSB354446..... 93.57 Each

NUTS

Fender Emblem Nut

1955 1956 1957
Hash Marks And V8 Emblems
B16230A..... 0.13 Each

Radio Shaft Nut

1955 1956 1957
B18810A..... 1.59 Each

Hex Nut, 5/16-24

1955 1956 1957
Exhaust Hanger
CSA33798..... 0.07 Each

Hex Nut, 3/8-16

1955 1956 1957
Exhaust Hanger
CSA33799..... 0.10 Each

Wing Nut, 5/16-18, Cast
1955
Battery Bolt
CSA33896A 0.59 Each

Wing Nut, 5/16-18, Stamped
1956 1957
Battery Bolt
CSA33896B 0.23 Each

Lock Nut
1955 1956 1957
Ram Cylinder Rod, Sway Bar
End Steady Rest
CSA34370 1.63 Each

Hex Nut
1955 1956 1957
Rear Spring Shackle Kit,
Bumper Bolt Kit
CSA34670 0.25 Each

Barrel Nut, Medium Size
1955 1956 1957
Thunderbird Script
CSB353577 0.12 Each

Castle Nut, 3/4-16
1955 1956 1957
Spindle
CSB354573 3.11 Each

Nut
1955 1956 1957
Wiper Transmission
CSB356094 6.26 Each

Nut
1955 1956 1957
Trunk Lock Sleeve
CSB356164 2.28 Each

J-Nut
1955 1956 1957
Body Mounting Bolt
CSB357000 4.09 Each

PINS

Pin
1957
Distributor Driven Gear
CSA61489 1.67 Each

Roll Pin
1955 1956 1957
Top Rear Clamp Stud
CSB353925 0.30 Each

Roll Pin
1955 1956 1957
Tachometer Drive Gear
CSB354132 0.10 Each

Pin
1955 1956 1957
Swing Bar To Frame
CSB354171 8.35 Each

Roll Pin
1955
Top Rear Clamp Stud
CSB354262 0.98 Each

PLUGS

Filler Plug
1955 1956 1957
Differential
CSB353051 2.71 Each

Drain Plug
1955 1956 1957
Fuel Tank
CSB353055 1.07 Each

Drain Plug
1955 1956 1957
Differential
CSB358048 3.16 Each

SCREWS

Screw
1955 1956 1957
Headlight Door
CSA32948 0.27 Each

Screw, 14 X 3/4, Self Taping
1955 1956 1957
Gas Pedal
CSA42143 0.10 Each

Screw, #8 X 3/4, Self Tapping
1955 1956 1957
Step Plate, Door Panel, Port
Hole Ring
CSA52360 0.12 Each

Screw
1955 1956 1957
Outside Mirror
CSA52361 0.12 Each

Screw
1955 1956 1957
Hardtop Weatherstrip Over
Door And On Rear Deck, 31
Required
CSB350754 0.33 Each

Screw
1955
Tail Light Lens
CSB353624 1.34 Each

Screw
1955 1956 1957
Striker Plate
CSB354488 1.17 Each

Screw
1955 1956
Park Light Lens
CSB354746 0.84 Each

Screw
1956
Tail Light Lens
CSB354798 0.84 Each

Screw
1957
1957 Tail Light, 1958-1960 Park
Light Lens
CSB354899 1.17 Each

Screw
1956
Backup Light Lens
CSB354973 1.25 Each

SEALS

Copper Washer Seal
1955 1956 1957
Banjo Fitting To Power Steering
Pump
CSB351789 2.25 Each

SHIMS

Shim, 1/16 Inch
1955 1956 1957
Body Mounting
CSB393001 1.44 Each

STAPLES

Staple Kit
1955 1956 1957
70 Count - 7/16 x 1/2, 16 Gauge
DSS11 2.29 Each

STUDS

Manifold Stud
1955 1956 1957
Right Side
CSB353409 1.59 Each

WASHERS

Star Washer, #10
1955 1956 1957
Fuel Filter Bracket
CSA34803 0.03 Each

Lockwasher, 5/16 Inch
1955 1956 1957
Brake Booster, Exhaust Hanger
Kit
CSA34806 0.07 Each

Lock Washer, 3/8 Inch
1955 1956 1957
Exhaust Hanger, Bumper Bolt Kit
CSA34807 0.07 Each

Flatwasher, 5/16 Inch SAE
1955 1956 1957
Brake Booster Kit, Exhaust
Hanger Kit
CSA44722 0.05 Each

Washer
1955 1956 1957
End Of Brake Booster
CSB351204 3.94 Each

Washer
1955 1956 1957
Trunk Lock Sleeve
CSB351548 0.94 Each

Countersunk Trim Washer, #6
1955 1956 1957
CSB470101A 0.08 Each

Countersunk Trim Washer, #8
1955 1956 1957
CSB470101B 0.08 Each

Countersunk Trim Washer, #10
1955 1956 1957
CSB470101C 0.12 Each

Trim Washer, #6
1955 1956 1957
CSB470102A 0.07 Each

Trim Washer, #8
1955 1956 1957
CSB470102B 0.07 Each

Trim Washer, #10
1955 1956 1957
CSB470102C 0.12 Each

FRONT AND REAR BUMPER KITS

Bumper Bolt Kit
1957
B17759DK 13.00 Each

Bumper Guard Sleeve And Spacer Kit
1955 1956
B17759EK 32.00 Each

Bumper Bolt Kit
1955
B17759FK 95.00 Each

Bumper Bolt Kit
1956
B17759GK 64.00 Each

CHASSIS AND UNDERCARRIAGE KITS

Exhaust Hangers To Bumperette
1955
DHK1000 1.46 Each

Body To Frame
1955
DHK1001 57.08 Each

Brake Line Block To Axle
1955 1956
DHK1002 1.33 Each

Rear Axle Cover
1955 1956
DHK1004 4.39 Each

Idler Arm Bracket To Frame
1955 1956 1957
Power Steering
DHK1005 3.64 Each

Idler Arm Bracket To Frame
1955 1956 1957
Manual Steering
DHK1006 2.93 Each

Idler Arm To Bushings
1955 1956 1957
Power Steering
DHK1007 2.57 Each

Front Drum To Spindle 1955 1956 1957 DHK1008..... 8.81 Each
Brake Cylinder To Backing Plates 1955 1956 1957 DHK1009.....3.19 Each
A-Arm Bumper To A-Arm 1955 1956 1957 DHK1010 1.59 Each
Upper Ball Joint To A-Arm 1955 1956 1957 DHK1011..... 4.39 Each
Lower Ball Joint To A-Arm 1955 1956 1957 DHK10127.31 Each
Lower A-Arm To Frame 1955 1956 1957 DHK1013 148.00 Each
Upper A-Arm To Frame 1955 1956 1957 DHK1014 12.87 Each
Tie Rod Ends To Linkage 1955 1956 1957 DHK1015 3.90 Each
U-Joint Bolt Nuts And Washers 1955 1956 1957 DHK1016 0.65 Each
Body Mount J-Nut Set 1955 1956 1957 DHK1017 75.08 Each
Stabilizer Bar Brackets To Frame 1955 1956 1957 DHK10182.18 Each
Rear Spring U-Bolt Nuts 1955 1956 1957 DHK1019 1.53 Each
Body To Frame 1956 DHK102041.87 Each
Exhaust Deflectors To Bumper 1956 DHK1021 8.65 Each
Body To Frame 1957 DHK102227.81 Each
Third Member To Axle Housing 1957 DHK1023 3.90 Each
Exhaust Deflectors To Bumper 1957 DHK1024 14.43 Each

FRONT BODY KITS

Grille Area (109 Pieces) 1955 1956 DHK2000..... 15.99 Each
Upper Grille Moulding To Body 1955 1956 DHK2001..... 5.33 Each
Park Lamp Lens To Body 1955 1956 DHK2002..... 2.37 Each
Front Bumper Braces To Car 1955 1956 DHK2003.....17.88 Each
Thunderbird Script On Quarter Panel 1955 1956 DHK2004..... 1.33 Each
Crest Emblem And Cross Flag Hardware 1955 1956 DHK2005..... 1.04 Each
Grille At Top To Body 1955 1956 1957 DHK2006..... 2.57 Each
Grille Side Mouldings To Body 1955 1956 1957 DHK2007..... 2.86 Each
Headlamp Bucket And Door 1955 1956 1957 DHK2008..... 4.78 Each
Headlamp Door To Bucket 1955 1956 1957 DHK2009..... 0.78 Each
Fender Support Brackets 1955 1956 1957 DHK2010..... 3.71 Each
Hash Marks To Front Fender 1955 1956 1957 DHK2011 2.37 Each
Hood Emblem To Hood 1955 1956 1957 DHK2012 4.26 Each
Hood Locks, Original Nuts 1955 1956 1957 DHK2013 2.37 Each
Hood Locks To Firewall Washer 1955 1956 1957 DHK2014 2.67 Each
Hood Latch Pin Brackets To Hood 1955 1956 1957 DHK2015 1.92 Each
Hood Pad To Body Nails 1955 1956 1957 DHK20161.79 Each

Hood Hinge To Bracket 1955 1956 1957 DHK2017 2.57 Each
Hood To Hinges 1955 1956 1957 DHK2018 1.92 Each
Hood Release Cable Retainer To Body 1955 1956 1957 DHK20191.72 Each
Hood Latch Pins To Brackets 1955 1956 1957 DHK2020..... 0.65 Each
Hood Release Cable Bracket To Dash 1955 1956 1957 DHK2021 1.33 Each
Nameplate To Nose Panel 1956 1957 DHK2022..... 0.78 Each
Grille Area (101 Pieces) 1957 DHK2023.....39.00 Each
Upper Grille Moulding To Body 1957 DHK2024..... 8.00 Each
Park Lamp To Bumper 1957 DHK2025..... 2.57 Each
Thunderbird Script On Fender 1957 DHK2026..... 2.67 Each
Front Bumper Braces To Car 1957 DHK2027 14.66 Each
Front Bumper Halves 1957 DHK2028..... 9.33 Each
ENGINE COMPARTMENT KITS
Radiator To Frame 1955 DHK3000.....3.19 Each
Shroud Halves 1955 DHK3001 5.66 Each
Upper Shroud To Radiator 1955 DHK3002..... 4.52 Each
Battery Box Assembly To Car 1955 DHK3003..... 4.91 Each
Oil Pan To Block 1955 1956 DHK3004..... 6.99 Each

Carburetor To Manifold 1955 1956 DHK3005..... 1.66 Each
Junction Blocks To Apron 1955 1956 DHK3006..... 1.17 Each
Brake Booster To Bracket 1955 1956 1957 DHK3007..... 0.85 Each
Brake Booster Bracket To Apron 1955 1956 1957 DHK3008.....1.79 Each
Master Cylinder To Firewall 1955 1956 1957 DHK3009..... 2.67 Each
Steering Box To Frame 1955 1956 1957 DHK3010 4.39 Each
Exhaust Manifold To Pipes 1955 1956 1957 DHK301113.16 Each
Timing Cover To Engine 1955 1956 1957 DHK30127.64 Each
Front Engine Mount To Frame 1955 1956 1957 DHK3013 3.64 Each
Transmission Brace To Frame 1955 1956 1957 DHK3014 4.00 Each
Transmission Mount To Frame 1955 1956 1957 DHK3015 5.46 Each
Transmission Mount 1955 1956 1957 DHK3016 2.67 Each
Dampener To Crankshaft 1955 1956 1957 DHK3017 4.00 Each
Valley Cover To Engine 1955 1956 1957 DHK3018 1.92 Each
Downdraft Tube To Engine 1955 1956 1957 DHK3019 0.72 Each
Steady Rest Bracket To Frame 1955 1956 1957 DHK3020..... 2.57 Each
Vent Tube Opening Cover 1955 1956 1957 DHK3021 1.24 Each

Transmission Governor Cover To Floor

1955 1956 1957
DHK3022..... 4.94 Each

Accelerator Bellcrank To Manifold

1955 1956 1957
DHK3023..... 0.85 Each

Fordomatic Pan To Case

1955 1956 1957
DHK3024..... 5.85 Each

Radiator Support Bracket To Frame

1955 1956 1957
DHK3025..... 5.72 Each

Radiator Access Panel

1955 1956 1957
DHK3026..... 0.52 Each

Water Pump To Engine

1955 1956 1957
Manual Steering
DHK3027..... 4.00 Each

Water Pump To Engine

1955 1956 1957
Power Steering
DHK3028..... 4.39 Each

Water Pump Plug

1955 1956 1957
Manual Steering
DHK3029..... 1.24 Each

Water Tubes To Water Pump

1955 1956 1957
DHK3030..... 2.11 Each

Fan To Water Pump

1955 1956 1957
DHK3031..... 2.18 Each

Fuel Pump To Timing Cover

1955 1956 1957
DHK3032..... 1.11 Each

Intake Manifold To Engine

1955 1956 1957
DHK3033..... 5.23 Each

Exhaust Manifolds To Head

1955 1956 1957
DHK3034..... 8.65 Each

Intake Manifold Carburetor Studs

1955 1956 1957
DHK3035..... 3.64 Each

Accelerator Steady Bracket To Block

1955 1956 1957
DHK3036..... 0.85 Each

Fiberglass Ducts To Scoops And Aprons

1955 1956 1957
DHK3037..... 9.85 Each

Steel Ducts To Scoops And Aprons

1955 1956 1957
DHK3038..... 9.85 Each

Air Deflector Scoops To Body

1955 1956 1957
DHK3039..... 1.46 Each

Generator To Brackets

1955 1956 1957
With Cast End Plates
DHK3040..... 3.90 Each

Generator To Brackets

1955 1956 1957
With Stamped Steel End Plates
DHK3041..... 3.90 Each

Voltage Regulator To Apron

1955 1956 1957
DHK3042..... 0.65 Each

Starter To Bell Housing

1955 1956 1957
DHK3043..... 1.59 Each

Starter Solenoid To Firewall

1955 1956 1957
DHK3044..... 0.78 Each

Coil Bracket To Manifold

1955 1956 1957
DHK3045..... 0.91 Each

Ignition Cable Brackets To Engine

1955 1956 1957
DHK3046..... 2.67 Each

Horn Brackets To Body

1955 1956 1957
DHK3047..... 1.85 Each

Ground Strap Engine To Firewall

1955 1956 1957
DHK3048..... 0.91 Each

Apron Shields To Aprons

1955 1956 1957
DHK3049..... 2.11 Each

Lower Splash Shield To Apron

1955 1956 1957
DHK3050..... 4.97 Each

Radiator Frame To Body

1955 1956 1957
DHK3051..... 2.18 Each

Washer Bag Bracket And Shield

1955 1956 1957
DHK3052..... 1.04 Each

Washer Bag Bracket And Shield

1955 1956 1957
DHK3053..... 0.85 Each

Front Shock Plate To Lower Arm

1955 1956 1957
DHK3054..... 2.86 Each

Heater Hose Bracket To Apron

1955 1956 1957
DHK3055..... 0.59 Each

Heater Assembly To Apron

1955 1956 1957
DHK3056..... 1.46 Each

Heater Blower Plate To Housing

1955 1956 1957
DHK3057..... 0.72 Each

Radiator To Frame

1956 1957
DHK3058..... 2.93 Each

Upper Shroud To Radiator

1956 1957
DHK3059..... 4.13 Each

Shroud Halves And Bracket

1956 1957
DHK3060..... 5.10 Each

Side Vent Spacer Duct To Fender

1956 1957
DHK3061..... 2.67 Each

Battery Box Assembly To Car

1956 1957
DHK3062..... 4.84 Each

Splash Shields To Fender

1956 1957
DHK3063..... 11.99 Each

Junction Block To Apron

1957
DHK3064..... 0.65 Each

Oil Pan To Block

1957
DHK3065..... 6.99 Each

Carburetor To Manifold

1957
DHK3066..... 1.98 Each

WINDSHIELD, DASH, AND FIREWALL KITS

Fordomatic Brake Pedal To Arm

1955 1956 1957
DHK4000..... 1.17 Each

Brake Pedal Bracket To Body

1955 1956 1957
DHK4001..... 4.65 Each

Emergency Brake Assembly To Firewall

1955 1956 1957
DHK4002..... 0.65 Each

Emergency Brake Cable To Firewall

1955 1956 1957
DHK4003..... 0.52 Each

Steering Column Trim To Retainer

1955 1956 1957
DHK4004..... 1.46 Each

Steering Column Seal To Firewall

1955 1956 1957
DHK4005..... 2.37 Each

Dash Trim To Dash

1955 1956 1957
DHK4006..... 0.72 Each

Accelerator Pedal And Bracket To Body

1955 1956 1957
DHK4007..... 1.24 Each

Pedal Assembly To Dash

1955 1956 1957
DHK4008..... 1.72 Each

Fresh Air Cable Bracket

1955 1956 1957
DHK4009..... 0.78 Each

Outside Weatherstrip Mouldings To Frame

1955 1956 1957
DHK4010..... 2.11 Each

Windshield Garnish Moulding

1955 1956 1957
DHK4011..... 5.23 Each

Cowl Braces To Firewall And Dash

1955 1956 1957
DHK4012..... 3.32 Each

Dash Aluminum To Dash

1955 1956 1957
DHK4013..... 0.65 Each

Speaker Cover To Dash

1955 1956 1957
DHK4014..... 1.33 Each

Ashtray To Dash And Door

1955 1956 1957
DHK4015..... 0.85 Each

Glove Box To Dash

1955 1956 1957
DHK4016..... 0.85 Each

Glove Box Hinge To Door

1955 1956 1957
DHK4017..... 0.85 Each

Glove Box Hinge To Dash

1955 1956 1957
DHK4018..... 0.65 Each

Glove Box Arms To Door

1955 1956 1957
DHK4019..... 0.91 Each

Glove Box Latch To Door
1955 1956 1957
DHK4020..... 0.52 Each

Glove Box Latch Guide To Dash
1955 1956 1957
DHK4021..... 0.85 Each

Glove Box Latch To Dash
1955 1956 1957
DHK4022..... 0.85 Each

Dimmer Switch To Cover
1955 1956 1957
DHK4023..... 0.78 Each

Dimmer Switch Cover To Firewall
1955 1956 1957
DHK4024..... 0.65 Each

Rearview Mirror Screws
1955 1956 1957
DHK4025..... 1.04 Each

Washer Jets To Cowl
1955 1956 1957
DHK4026..... 0.78 Each

Washer Jets To Cowl
1955 1956 1957
DHK4027..... 0.78 Each

Heater Core To Housing To Firewall
1955 1956 1957
DHK4028..... 1.59 Each

Speaker To Dash Nuts
1955 1956 1957
DHK4029..... 1.33 Each

Side Vent Hinge To Door And Body
1956 1957
DHK4030..... 3.44 Each

Inside Vent Grilles To Body
1956 1957
DHK4031..... 2.11 Each

Visor Arm And Clip To Header
1956 1957
DHK4032..... 2.11 Each

Dash Pad Retainer Straps To Dash
1957
DHK4033..... 1.79 Each

Instrument Cluster Trim To Dash
1957
DHK4034..... 2.21 Each

Dash To Cowl And Door Pillar
1957
DHK4035..... 4.32 Each

DOOR AND WINDOW KITS

Outside Mirror To Door
1955
DHK5004..... 0.52 Each

Door Panel Attaching Kit
1955 1956
DHK5005..... 8.00 Each

Door Panel Screws
1955 1956
DHK5006..... 2.31 Each

Pillar Weatherstrip To Pillar
1955 1956 1957
DHK5007..... 2.11 Each

Step Plates To Body
1955 1956 1957
DHK5008..... 3.19 Each

Door Pillars To Doors
1955 1956 1957
DHK5009..... 2.37 Each

Power Window Wire Channel To Door
1955 1956 1957
DHK5010..... 0.52 Each

Door Garnish Rails To Doors
1955 1956 1957
DHK5011..... 1.98 Each

Garnish Rails, Oversize Threads
1955 1956 1957
DHK5012..... 2.18 Each

Door Panel Channels To Door
1955 1956 1957
DHK5013..... 0.98 Each

Door Moulding Spacers To Door
1955 1956 1957
DHK5014..... 3.32 Each

Door Texas Plates To Door
1955 1956 1957
DHK5015..... 1.04 Each

Door Garnish Moulding To Rail
1955 1956 1957
DHK5016..... 4.39 Each

Door Glass Runs To Pillar
1955 1956 1957
DHK5017..... 6.83 Each

Upper Window Stops To Doors
1955 1956 1957
DHK5018..... 2.99 Each

Door Lock Assembly To Door
1955 1956 1957
DHK5019..... 3.71 Each

Door Glass Stainless To Channel
1955 1956 1957
DHK5020..... 1.46 Each

Outside Door Handles To Door
1955 1956 1957
DHK5021..... 1.85 Each

Door Handle Button To Handle
1955 1956 1957
DHK5022..... 4.94 Each

Door Hinge Bolt Kit
1955 1956 1957
1 Side
DHK5023..... 3.84 Each

Door Access Plates To Doors
1955 1956 1957
DHK5024..... 2.93 Each

Arm Rests To Door Panels
1955 1956 1957
DHK5025..... 3.32 Each

Data Plate Rivets
1955 1956 1957
DHK5026..... 4.40 Pair

Lower Windwing Hinge To Frame
1956 1957
DHK5027..... 3.90 Each

Outside Mirror To Door
1956 1957
DHK5028..... 0.52 Each

Door Weatherstrip Spacers To Doors
1957
DHK5029..... 0.72 Each

Door Panel Attaching Kit
1957
DHK5030..... 7.64 Each

Door Panel Screws
1957
DHK5031..... 2.31 Each

OTHER INTERIOR KITS

Drop Curtain To Floor
1955 1956
DHK6019..... 3.90 Each

Ford-O-Matic Shifter Pointer Screw
1955 1956 1957
DHK6020..... 0.65 Each

Center Garnish Moulding To Body
1955 1956 1957
DHK6021..... 5.17 Each

Power Seat Gear Clevis Pins And Clips
1955 1956 1957
DHK6022..... 5.60 Each

Power Seat Bracket To Floor
1955 1956 1957
DHK6023..... 1.46 Each

Floor Plugs For Power Seats
1955 1956 1957
DHK6024..... 1.24 Each

Seat Back Panel To Seat
1955 1956 1957
DHK6025..... 6.24 Each

Quarter Trim Panels To Body
1955 1956 1957
DHK6026..... 2.57 Each

Tonneau Cover Hardware
1955 1956 1957
DHK6027..... 53.00 Each

Drop Curtain To Floor
1957
DHK6028..... 1.24 Each

HARD AND SOFT TOP KITS

Porthole Rings To Hardtop
1955 1956 1957
DHK7000..... 2.31 Each

Soft Top Rear Bow Tack Strip To Frame
1955 1956 1957
DHK7001..... 7.90 Each

Hardtop Tack Strip To Top
1955 1956 1957
DHK7002..... 7.90 Each

Convertible Frame Rebuild Kit
1955 1956 1957
Early Style
DHK7003..... 81.75 Each

Convertible Frame Rebuild Kit
1955 1956 1957
Late Style
DHK7004..... 100.12 Each

Hardtop Side Clamps To Top
1955 1956 1957
DHK7005..... 2.11 Each

Soft Top Side Clamps To Top
1955 1956 1957
DHK7006..... 2.11 Each

Side Hold Down Plates To Body
1955 1956 1957
DHK7007..... 2.50 Each

Hardtop Front Clamps To Top
1955 1956 1957
DHK7008..... 2.11 Each

Soft Top Front Clamps To Top
1955 1956 1957
DHK7009.....3.19 Each

Rear Hold Down Plates To Deck
1955 1956 1957
DHK7010..... 3.77 Each

Hardtop Rear Clamp Plates To Top
1955 1956 1957
DHK7011..... 2.93 Each

Soft Top Rear Clamp Plates To Top
1955 1956 1957
DHK7012.....3.19 Each

Hardtop Edge Moulding To Top
1955 1956 1957
DHK7013..... 3.84 Each

Soft Top Web Plates To #2 Bow
1955 1956 1957
DHK7014..... 0.78 Each

Soft Top Header Center Castings To Ends
1955 1956 1957
DHK7015..... 1.98 Each

Soft Top Header End Castings To Side Rails
1955 1956 1957
DHK7016..... 4.39 Each

Soft Top Bows To Frame
1955 1956 1957
DHK7017..... 5.04 Each

Soft Top Head Trim To Frame
1955 1956 1957
DHK7018.....11.83 Each

Soft Top Outside Wire-On Tips To Top
1955 1956 1957
DHK7019..... 0.65 Each

Hardtop Weatherstrip To Top
1955 1956 1957
DHK7020..... 8.00 Each

Soft Top Weatherstrip To Frame
1955 1956 1957
DHK7021..... 32.63 Each

Soft Top T-Bolts (12 Pieces)
1955 1956 1957
DHK7022..... 23.99 Each

Hardtop Binding Joint Cover To Top
1955 1956 1957
DHK7023..... 1.33 Each

Soft Top Swing Arm Foot To Floor
1955 1956 1957
DHK7024.....1.72 Each

Swing Bar Foot Complete Kit
1955 1956 1957
DHK7025..... 18.56 Each

Swing Bar Foot Halves Together
1955 1956 1957
DHK7026..... 3.38 Each

TRUNK KITS

Trunk Divider Board
1955
DHK8000..... 1.59 Each

Trunk Latch Assembly To Body
1955 1956
DHK8001..... 1.46 Each

Trunk Lid To Hinges
1955 1956 1957
DHK8002..... 1.98 Each

Trunk Lid Hinge To Body
1955 1956 1957
DHK8003.....1.79 Each

Trunk Latch Striker To Body
1955 1956 1957
DHK8004..... 1.46 Each

Trunk Side Boards To Body
1955 1956 1957
DHK8005..... 2.57 Each

Trunk Latch Assembly To Body
1957
DHK8006..... 1.92 Each

Spare Hold Down Hardware
1957
DHK8007.....1.79 Each

Trunk Handle Mounting
1957
DHK8008..... 3.32 Each

REAR BODY KITS

Tail Light Lens Screw Kit
1955
DHK9000..... 8.00 Each

Backup Lens To Body
1955
DHK9001.....7.60 Each

Rear Bumper Braces To Car
1955
DHK9002..... 16.09 Each

Bullet Inserts
1955
DHK9003..... 3.67 Each

Fuel Sending Unit To Tank
1955 1956
DHK9004..... 1.17 Each

Rear Light Body To Fender
1955 1956
DHK9005..... 0.85 Each

License Holder To Body
1955 1956
DHK9006..... 0.85 Each

Gas Door Mounting Kit
1955 1956
DHK9007..... 1.46 Each

License Light Lens
1955 1956 1957
DHK9008..... 0.78 Each

Skirt Clips To Fenders
1955 1956 1957
DHK9009..... 1.59 Each

Skirt Trim To Skirts
1955 1956 1957
DHK9010..... 2.93 Each

Continental Kit Holder To Car
1956
DHK9011..... 5.23 Each

Tail Light Lens Screw Kit
1956
DHK9012..... 5.00 Each

Backup Lens To Body
1956
DHK9013..... 5.04 Each

Rear Bumper Braces To Car
1956
DHK9014.....15.41 Each

Rear Bumper Halves
1956
DHK9015.....7.35 Each

Bullet Inserts
1956
DHK9016..... 1.85 Each

Gas Neck Strap To Body Bracket
1957
DHK9017..... 1.24 Each

Gas Neck Bracket To Body
1957
DHK9018..... 0.52 Each

Rear Light Body To Fender
1957
DHK9019.....2.18 Each

Tail Light Lens Screw Kit
1957
DHK9020..... 9.30 Each

Rear Bumper Braces To Car
1957
DHK9021..... 11.73 Each

Rear Bumper Halves
1957
DHK9022..... 13.20 Each

Gas Door To Hinge
1957
DHK9023..... 0.78 Each

Save 10% at Larry's

Learn how to save on your next online purchase. Visit our website at www.larrysbird.com for more information.



RADIOS

Radio, 300 Watt

1956 1957
DRD004..... 432.53 Each

The DRD004 stereo offers a classic look with today's latest features. Now, with built-in Bluetooth (microphone included), answer calls and get Bluetooth streaming music from your Bluetooth capable phone or Bluetooth compatible device. A solid 300-watt peak power should be all the juice you need, yet the DRD004 has Hi 4 volt, 4 channel RCA Pre-outs and a Subwoofer RCA pre-out for additional amplifiers. The USB

input allows you to plug in a USB flash drive (thumb drive) for playback of MP3/WMA/FLAC/WAV song files. A front mini jack auxiliary audio input and a rear RCA auxiliary audio input provide versatility for options like satellite radio, I-pod or any portable player you wish to use. Match the dominant color of your instrument cluster with user selectable multiple LCD color choices with LCD dimmer control. The AM/FM RDS tuner shows station, song and artist on the LCD display. For those of us committed to music collections on compact disc, the DRD004 fully controls our optional CD-1 CD player. Classic style with today's sound and performance taking every road and curve with you in your vintage vehicle.

Radio, 300 Watt, No Bluetooth

1955 1956 1957
DRD011 324.60 Each

Custom Auto Sounds USA-630 is designed to provide the best in audio technology wrapped in a classic car stereo look. It will fit your car or truck's stock dash without any modifications required. It has been designed with a bezel containing your cars manufacturer logo as well as large OEM style push-buttons to complement your dash. When it comes to electronics the USA-630 boasts modern features like a USB input for flash drives to

play back MP3/WMA song files and a dock for your iPod. When connected to these devices the radio's digital display will show artist, song, album titles and allow song navigation through the radio itself. The USA-630 is compatible with our optional BLUKIT which enables Bluetooth music streaming from your enabled phone as well as hands-free mobile calling through the vehicles speakers and BLUKIT'S built in microphone. With 300 watts peak the radio provides plenty of power but additionally contains four RCA pre-outs for optional amplifiers. It also comes with auxiliary inputs for satellite radio tuners, iPhones and any portable player you may wish to use.



Specifications

- AM-FM Stereo
- RDS tuner shows station/song/artist on LCD display
- 300 Watts Peak
- USB Port for Flash Drive MP3/WMA Playback
- iPod doc and control (Control your iPod from the buttons on the radio)
- Direct CD1 Control

- Negative LCD Display (Black background with white letters/numbers)
- Alpha Numeric Display for MP3/WMA/iPod files
- Electronic Tuning and Volume Control
- Loudness compensation
- Digital EQ
- 4 way Fader

- Left Right Balance
- Digital Clock
- 2 Channel RCA Auxiliary Input for Satellite etc. (cable included)
- 16 Pre-sets (12FM-4AM)
- 4 Channel RCA Pre-outs
- Separate Base and Treble
- USA/Euro Tuner
- Power Antenna Lead

SPEAKERS

Dash Speaker, Dual

1955 1956 1957
DRD025..... 38.83 Each

Rear Panel With Speakers

1955 1956 1957
DRD035..... 177.02 Each



DRD025



DRD035

SATB-24: Great 'no modification' solution and a necessity for 2-channel stereo-our dual top dash upgraded speaker assemblies are mounted on 1/4 inch material, with cloth over speakers and pre-wired to plug into radio! They fit and mount as original did in original front speaker area!

SATB-69P: Rear panel, designed & engineered for 1955-'57 Thunderbird to fit with no alterations to your car. These panels are made of 1/4" tempered masonite and covered with black carpet, bound on the outer edge. Two 6" x 9" three-way, high quality speakers with metal grills and 'pre-wiring loom' complete this custom Thunderbird speaker assembly. Great sound enhancement!



ANTENNAS

Radio Antenna
1955 1956 1957
Front Fender Mount
B18813B..... 54.28 Each

Antenna, Rear Mount
1957
B18813G..... 115.18 Each

Antenna Lead-In Seal
1955 1956 1957
B18912A..... 2.59 Each


Antenna Stanchion
1955 1956 1957
B18919A..... 10.02 Each

Antenna Pad
1955 1956 1957
For Front Mount Antenna
B18919C..... 4.39 Each

Antenna Lead-In Seal,
This part also serves as
a plug for the door pillar
adjusting screw
access hole on the "Dog Leg"
portion of the door.

FRONT ANTENNA REMOVAL TOOL

Front Antenna Removal Tool
1955 1956 1957
DTL14 11.69 Each

RADIO DASH COMPONENTS

Radio Face Lens
1956 1957
B18804A..... 23.38 Each

Radio Shaft Nut
1955 1956 1957
B18810A..... 1.59 Each

Radio Knob, For Split Shaft
1955 1956 1957
B18817A 17.48 Each

Radio Or Wiper Knob, For D-Shaft
1955 1956 1957
B18817C 17.47 Each

Radio Knob Bezel
1955 1956 1957
B18830A..... 11.61 Each

Can't Find What You're Looking For?
If you are unable to locate a part in this catalog, give us a call for fast service, or email us at info@larrystbird.com



RADIO COMPONENTS

Radio Tube Set
1956
B18805A..... 163.66 Each

Radio Vibrator, 12 Volt
1956
B18805D..... 36.74 Each

Radio Tube Set
1957
B18805E..... 136.94 Each

Radio Vibrator, 6 Volt
1955
B18805F..... 46.76 Each

Radio Tube Set
1955
B18805H 120.24 Each

Radio Noise Suppressor Clip
1956
B18870A..... 3.81 Each

Radio Noise Suppressor Clip
1955
B18870B..... 3.81 Each

RADIO AND SPEAKER WIRING

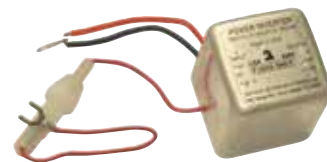
Radio To Ignition Wire, With Fuse Holder
1955 1956 1957
B18806C 10.02 Each

Radio Speaker Wire Pigtail
1955 1956 1957
B18807A 23.28 Each

Radio Compensator Wire
1957
B18869A..... 25.05 Each

POWER CONVERTER

Power Converter, 6 Volt To 12 Volt, 3 Amp
1955
DRD057..... 65.13 Each



Convert your 6V Thunderbird to 12V to allow for installation of our Stereo Upgrades. Our Power Converter is easy to install.



SERVICE MANUALS

Radio Service Manual
1956
DLT066..... 10.89 Each

Radio Service Manual
1957
DLT067 6.10 Each

Radio Service Manual
1955
DLT077 4.50 Each

BLUE TOOTH INTERFACE KIT

Blue Tooth Interface Kit
1955 1956 1957
For Use With Custom Autosound Stereo Models Without Integrated Bluetooth
DRD058..... 139.95 Each

HARDWARE FOR THIS SECTION

Speaker Cover To Dash
1955 1956 1957
DHK4014 1.33 Each

Speaker To Dash Nuts
1955 1956 1957
DHK4029..... 1.33 Each

FLOOR MATS

RUBBER FLOOR MATS

Rubber Floor Mats, Green With White Bird
1957

B13106AF 66.72 Pair

Rubber Floor Mats, Red With White Bird

1955 1956 1957

B13106F 100.12 Set



Made From Original Style Carpet. Correct Colors and Fit.

UCM5604

CARPET FLOOR MATS

Carpet Floor Mats, Black
1955 1956 1957

UCM5501 132.00 Pair

Carpet Floor Mats, Green
1955

UCM5502 132.00 Pair

Carpet Floor Mats, Red
1955

UCM5503 132.00 Pair

Carpet Floor Mats, Buckskin

1956
UCM5601 132.00 Pair

Carpet Floor Mats, Green
1956

UCM5602 132.00 Pair

Carpet Floor Mats, Peacock

1956
UCM5603 132.00 Pair

Rubber Floor Mats, Black With White Bird

1955 1956 1957

B13106M 116.82 Set

Carpet Floor Mats, Red
1956

UCM5604 132.00 Pair

Carpet Floor Mats, Blue
1957

UCM5701 132.00 Pair

Carpet Floor Mats, Bronze
1957

UCM5702 132.00 Pair

Carpet Floor Mats, Green
1957

UCM5703 132.00 Pair

Carpet Floor Mats, Red
1957

UCM5704 132.00 Pair

Carpet, Black, Cut Pile
1955

UCP5504 149.95 Each

Carpet, Black, Cut Pile
1956 1957

UCP5606 149.95 Each

FLOOR PAN HEAT SHIELD KIT

Floor Pan Heat Shield Kit

1955 1956 1957

DAC08 87.11 Each

DASH MATS

Dash Mat, Black

1957

UDM5701 58.20 Each

Dash Mat, Blue

1957

UDM5702 58.20 Each

FENDER COVER

Fender Cover, Thunderbird

1955 1956 1957

DAC11A 41.27 Each

REAR DECK PROTECTOR

Rear Deck Protector

1955 1956 1957

DAC09 25.80 Pair

COCKPIT COVER

Cockpit Cover

1955 1956 1957

DAC02 156.00 Each

If you want a soft, durable cover for indoor or outdoor use, Larry's Custom Fit Thunderbird Covers will do the job. These water repellent covers "breathe" away any moisture from your T-Bird to prevent paint damage. Covers are easy to launder and come out looking good as new.



Cut to fit your car, front and rear elastic and non-scratch tie-down grommets ensure perfect fit.

For protection indoors, use our Flannel-Lined Cover, which features soft-napped flannel lining for an extra layer of special coverage! (Note: Flannel Cover is for indoor use only)

Looking for car covers for additional vehicles? We manufacture car covers for many makes, models, and years including pickup trucks. Check out our web site or call to see if we can supply what you need.

CAR COVER

Car Cover Storage Bag, Flannel

1955 1956 1957

ECC000A 16.20 Each

Car Cover Storage Bag, Polycotton

1955 1956 1957

ECC000B 12.86 Each

Car Cover, Flannel

1955 1956

1955 All; 1956 Without Continental kit

ECC001A 274.55 Each

Car Cover, Polycotton

1955 1956

1955 All; 1956 Without Continental kit

ECC001B 252.88 Each

Car Cover, Flannel

1956

With Continental Kit

ECC002A 274.55 Each

Car Cover, Polycotton

1956

With Continental Kit

ECC002B 252.88 Each

Car Cover, Flannel

1957

ECC003A 274.55 Each

Car Cover, Polycotton

1957

ECC003B 252.88 Each

LOCKS

Automatic Transmission Shifter Lock

1955 1956 1957

DAC03 41.75 Each

Fender Skirt Lock Set

1955 1956 1957

DAC04 11.50 Each

Top Lock, Hard Or Soft Top

1955

DAC05A 33.82 Each

Top Lock, Hard Or Soft Top

1956

DAC05B 33.82 Each

Top Lock, Hard Or Soft Top

1957

DAC05C 33.82 Each

Cable And Lock Set For Car Cover

1955 1956 1957

DAC23 7.02 Each



HARDTOP STORAGE

Top Hoist

1955 1956 1957

DAC06.....86.95 Each

The Tag Along Hardtop Storage

1955 1956 1957

DAC07242.15 Each



DAC06

Install & Remove Your Hard Top with Ease! Help Save Space Too!

Our Hard Top Hoist Kit enables you to install and remove your T-Bird hard top with ease. The double-pulley system quickly attaches to your garage rafters. Our complete kit includes heavy-duty nylon sling, pulley rope, and tie-down anchor. Instructions included for easy operation.



A Rolling Storage Rack for Your Bird's Hardtop!

DAC07

Hardtop Cover is Included with Tag Along



Tag Along is easily transported in the Travel Bag for use at shows, events or around the garage!

For hardtop storage anywhere! "Tag Along" Rolling Storage Rack is precision machined form aircraft-grade aluminum and stainless steel, fitted with 4 smooth rolling, double-wheeled locking casters. Weighs less than 10 lbs. and folds down to fit into the 7" x 7" x 24" travel bag. Unfolds and assembles in less than ninety seconds! full hard top cover included. Perfect for car shows or other events.



DAC01B



DAC01A

FORD COOLERS

Ford Cooler, Blue

1955 1956 1957

DAC01A.....131.93 Each

Ford Cooler, Black

1955 1956 1957

DAC01B.....131.93 Each



DAC10A



DAC10G

TOTE BAGS

Tote Bag, Black / White

1955 1956

DAC1055BK67.50 Each

Tote Bag, Green / White

1955

DAC1055GN.....67.50 Each

Tote Bag, Red / White

1955

DAC1055RD67.50 Each

Tote Bag, Yellow / Black

1955

DAC1055YL.....67.50 Each

Tote Bag, Buckskin / White

1956

DAC1056BS67.50 Each

Tote Bag, Green / White

1956

DAC1056GN167.50 Each

Tote Bag, Peacock / White

1956

DAC1056PK67.50 Each

Tote Bag, Red / White

1956

DAC1056RD67.50 Each

Tote Bag, Black / White

1957

DAC1057BK67.50 Each

Tote Bag, Dark Blue / Light Blue

1957

DAC1057BU67.50 Each

Tote Bag, Bronze

1957

DAC1057BZ.....67.50 Each

Tote Bag, Dark Green / Light Green

1957

DAC1057GN67.50 Each

Tote Bag, Red

1957

DAC1057RD67.50 Each

Tote Bag, White

1957

DAC1057WT.....67.50 Each

Tote Bag, Plaid

1955 1956 1957

DAC10A.....47.89 Each

Tote Bag, Black Vinyl

1955 1956 1957

DAC10G.....43.30 Each



DAC1955LTGN

DASHBOARD PLUG & CHUG

Dashboard Plug & Chug, Black

1955 1956
DAC1955BK 75.32 Each

Dashboard Plug & Chug, Dark Green

1955
DAC1955DKGN 75.32 Each

Dashboard Plug & Chug, Light Green

1955
DAC1955LTGN 75.32 Each

Dashboard Plug & Chug, Red

1955
DAC1955RD 75.32 Each

Dashboard Plug & Chug, White

1955 1956
DAC1955WT 75.32 Each

Dashboard Plug & Chug, Yellow

1955
DAC1955YL 75.32 Each

Dashboard Plug & Chug, Buckskin

1956
DAC1956BS 75.32 Each

Dashboard Plug & Chug, Green

1956
DAC1956GN 75.32 Each

Dashboard Plug & Chug, Peacock

1956
DAC1956PK 75.32 Each

Dashboard Plug & Chug, Red

1956
DAC1956RD 88.00 Each

Dashboard Plug & Chug, Black

1957
DAC1957BK 75.32 Each

Dashboard Plug & Chug, Bronze

1957
DAC1957BZ 75.32 Each

Dashboard Plug & Chug, Dark Blue

1957
DAC1957DKBU 75.32 Each

Dashboard Plug & Chug, Dark Green

1957
DAC1957DKGN 75.32 Each

Dashboard Plug & Chug, Light Blue

1957
DAC1957LTBU 75.32 Each

Dashboard Plug & Chug, Light Green

1957
DAC1957LTGN 75.32 Each

Dashboard Plug & Chug, Red

1957
DAC1957RD 88.00 Each

Dashboard Plug & Chug, White

1957
DAC1957WT 75.32 Each



- Full-Length Design
- Two King-Size Drink Holders
- Large Storage Compartment
- Installs in Seconds...
Removes in Seconds



WING RIDER

Wing Rider Console, Black

1955 1956
DAC2055BK 295.00 Each

Wing Rider Console, Light Green

1955
DAC2055GN 295.00 Each

Wing Rider Console, Red

1955
DAC2055RD 295.00 Each

Wing Rider Console, Buckskin

1956
DAC2056BS 295.00 Each

Wing Rider Console, Green

1956
DAC2056GN 295.00 Each

Wing Rider Console, Peacock

1956
DAC2056PK 295.00 Each

Wing Rider Console, Red

1956
DAC2056RD 295.00 Each

Wing Rider Console, Black

1957
DAC2057BK 295.00 Each

Wing Rider Console, Dark Blue

1957
DAC2057BU 295.00 Each

Wing Rider Console, Bronze

1957
DAC2057BZ 295.00 Each

Wing Rider Console, Dark Green

1957
DAC2057GN 295.00 Each

Wing Rider Console, Red

1957
DAC2057RD 295.00 Each

Wing Rider Console, White

1957
DAC2057WT 295.00 Each

Receive Gift Certificates for Your Future Purchases!

Learn how to qualify for \$30 and \$50 gift certificates. Visit our website at www.larrybird.com for more information.





DCLS1

↑
High quality Fruit of the Loom Lofteez T-Shirt, imprinted with our Larry's Thunderbird and Mustang logo.



100% pure cotton

DCLS2

CLOTHING

T-SHIRTS

- T-Shirt, Larry's Logo, Ash, Large**
1955 1956 1957
DCLS1L 22.71 Each
- T-Shirt, Larry's Logo, Ash, Medium**
1955 1956 1957
DCLS1M 22.71 Each
- T-Shirt, Larry's Logo, Ash, Extra Large**
1955 1956 1957
DCLS1XL 22.71 Each
- T-Shirt, Larry's Logo, Ash, Double Extra Large**
1955 1956 1957
DCLS1XXL 22.71 Each
- T-Shirt, Larry's Logo, White, Large**
1955 1956 1957
DCLS2L 15.88 Each
- T-Shirt, Larry's Logo, White, Medium**
1955 1956 1957
DCLS2M 15.35 Each

- T-Shirt, Larry's Logo, White, Extra Large**
1955 1956 1957
DCLS2XL 15.35 Each
- T-Shirt, Larry's Logo, White, Double Extra Large**
1955 1956 1957
DCLS2XXL 18.35 Each
- Long Sleeve T-Shirt, Larry's Logo, Ash, Large**
1955 1956 1957
DCLS3L 15.03 Each
- Long Sleeve T-Shirt, Larry's Logo, Ash, Medium**
1955 1956 1957
DCLS3M 15.03 Each
- Long Sleeve T-Shirt, Larry's Logo, Ash, Extra Large**
1955 1956 1957
DCLS3XL 15.03 Each
- Long Sleeve T-Shirt, Larry's Logo, Ash, Double Extra Large**
1955 1956 1957
DCLS3XXL 15.03 Each

Can't Find What You're Looking For?
If you are looking for a certain part and are not able to find it in this catalog, give us a call. It may be that we have it but the part was not listed in this catalog at the time of printing. We have a large used parts inventory and may have just the part you need for your Thunderbird.

HOG RINGS

- Hog Ring Kit, With Pliers**
1955 1956 1957
DSS04 14.89 Each
- Hog Rings, 100 Pack**
1955 1956 1957
DSS06 8.35 Each



TOOLS

- Door And Window Handle Removal Tool**
1955 1956 1957
DTL02 6.38 Each
- Window Moulding Removal Tool**
1955 1956 1957
DTL06 14.29 Each
- Dash Bezel Removal Tool**
1955 1956 1957
DTL09 8.50 Each
- Ball Joint Tool**
1955 1956 1957
DTL10 25.05 Each
- Grease Cap Installation Tool**
1955 1956 1957
DTL11 20.04 Each
- Temperature Sensor Adapter Tool, 3/8 Inch Thread**
1955 1956
DTL12 26.72 Each
- Temperature Sensor Adapter Tool, 1/4 Inch Thread**
1957
DTL13 26.72 Each
- Front Antenna Removal Tool**
1955 1956 1957
DTL14 11.69 Each
- Door Glass Run Installation Tool**
1955 1956 1957
DTL15 26.72 Each
- Crank Dampener Removal Tool**
1955 1956 1957
DTL17 75.15 Each

Products That Offer The Ultimate Show Finish!

Killer Chrome Perfect Polish

If you've ever dealt with tarnished chrome, you know it's ugly and hard to polish. Killer Chrome makes it easy. Chrome, aluminum, stainless and even brass, this stuff is Enthusiast Grade and can do it all. Its non-abrasive chemical formula means you can use it repeatedly to remove surface rust and oxidation with no fear of damage to your chrome or metal, unlike abrasive metal cleaners that can lead to expensive re-plating. It also works twice as fast as other polishes whether you apply it by hand or machine. Safely get rid of tarnish and get a killer mirror finish with Killer Chrome.

DCC01 14.09

Code Red Active Wheel Cleaner

Use Speed Demon on your dusty car and your jaw will drop. It's not magic, but using it is the closest you'll get to being a magician. Spray it on the surface, glass and chrome between wax sessions to keep your car looking brilliant. Dusty car? Doesn't matter. Dust particles are suspended so they never touch the surface, ever. It gives your car a brilliant shine, blocks contaminants and UV rays, has no buildup, no streaks and lasts three times longer than other spray detailers (thanks to high levels of #1 Carnauba wax). Take a deep breath, read that again, and go impress your friends with Speed Demon.

DCC02 16.27

Beyond Black Tire Dressing

What goes best with clean shiny wheels? Tires that look brand new. Nothing else helps your ride look its best more than clean wheels and tires, so use Beyond Black tire dressing. It's got a no sling, no gel formula. No thick, glossy look here. Beyond Black puts that straight-off-the-showroom-floor shine on your tires. It even helps extend their life and protect them from UV rays. What could be better? Oh yeah - it lasts for weeks.

DCC03 15.52

Barrier Reef Carnauba Spray Wax

The deepest gloss. The easiest to use. Just two of the reasons that Barrier Reef has become the best-selling wax in the Enthusiast Market. But there's much more. It also provides the longest-lasting paint protection and is hand blended with the world's best Brazilian Carnauba for that deep, wet, reach-in-and-touch-the-paint-gloss. Try Barrier Reef just once and we guarantee you'll never use another wax on your ride.

DCC04 19.52

Barrier Reef Carnauba Paste Wax

Detailing purists and enthusiasts obsessed with durability, incredible gloss and unparalleled beading ability have exclusively used paste wax for years. But even the most expensive paste waxes have well-earned reputations for being difficult to work with. Barrier Reef has finally changed all that and made the paste wax experience what it was meant to be. Starting with the best Carnauba in the world from the Brazilian rainforests, we added cutting edge advanced polymers and custom-blended the world's best paste wax, one that improves on Mother Nature herself. It's not only the easiest-to-use paste wax

on the planet, but it also creates a mile-deep gloss that looks like a reflecting pool of color.

DCC05 27.12

Black Max Vinyl, Rubber, & Trim Dressing

Got cloudy gray trim, but want the black back? Black Max here to save the day. Vinyl, rubber and plastic will look showroom new in minutes, no matter what color they are. Finally, a dressing that's a cream so it stays on the car, not dripping to the ground. Black Max contains powerful UV blockers to stop or prevent bleaching and cracking from the sun. The finish isn't greasy or glossy, so you get a perfect factory-new look. You don't have to apply this stuff often because it lasts through dozens of washes and even rain.

DCC06 14.09

Top End Convertible Cleaner & Protectant

Ride with your convertible top down in the dead of winter to hide the stiff and dirty material? Or is it new and needs protection? Make it soft and supple with Top End, a cleaner, protectant and conditioner all in one single product. 100% safe on vinyl, canvas or fabric, Top End cleans stains and mildew, repels dirt and dust, protects against UV rays and extends the life of your top. Works great on vinyl/tonneau bed covers too. Use it regularly to prevent the stiffness that many convertibles are plagued with. Use Top End and you'll wish you could keep your top on even in nice weather just to show it off.

DCC07 13.01

Black Edge Detailer Spray

When it comes to your car's interior, nothing beats new leather - it's clean, soft and smooth, and it smells amazing. To maintain that original look and feel, you need to be sure to not only remove contaminants and grime, but also condition the leather. Voodoo Blend Leather Cleaner & Conditioner is an all-in-one formula that provides your leather with the best treatment possible. It removes all of the dirt and grime from leather first and, just like our Voodoo Blend Leather Rejuvenator, conditions and rejuvenates.

DCC08 16.27

Black Edge Carnauba Wax

Your car deserves the ultimate edge in lasting shine and protection - Black Edge. Specially formulated to give your dark and black paint the wettest, deepest, rich-in-and-touch-the-paint gloss. No buildup, no chalky residue, just sleek, clean and clear. Make YOUR statement with Black Edge.

DCC09 24.95

Luster Lace Narrow Strips

Luster Lace™ Metal Polishing Strips clean and polish 360 degrees around so you don't miss a spot. Works outstanding on Aluminum, Brass, Bronze, Copper, Magnesium & Stainless Steel. (Note - Not suitable for use on anodized, clear coat or plated surfaces)

Contains: 14 strips (1/2" x 16")

DCC10 10.02



DDC02



DDC01



DDC03



DDC04



DDC05



DDC06



DDC07



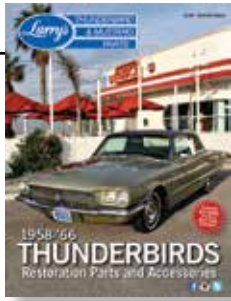
DDC08



DDC09



DDC10



CATALOGS

Thunderbird Catalog 1958-1966

1958 1959 1960 1961 1962
1963 1964 1965 1966
DLT184 0.00 Each

Mustang Catalog 1965-1973

1965 1966 1967 1968 1969
1970 1971 1972 1973
DLT185 0.00 Each

Passenger Car Catalog 1954-1957

1954 1955 1956 1957
DLT186 0.00 Each

Thunderbird Catalog 1955-1957

1955 1956 1957
DLT187 0.00 Each

ILLUSTRATIONS MANUAL

Illustrations Manual

1955 1956 1957
DLT076 12.75 Each

Larry's '55-57 Illustrated Parts Manual is an in-depth compilation of full-page illustrations that cover all systems in your Thunderbird. This manual is a "must have item" for those who work on their own car, or if you need to have an idea of what your mechanic is doing on your vehicle. Probably one of the best investments you can make when it comes to restoring your Thunderbird properly!



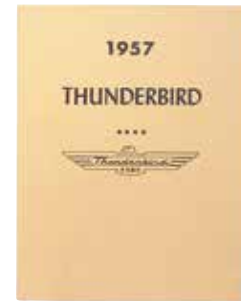
SPECIFICATION MANUALS

Specification Manual, 1955

Thunderbird
1955
DLT068 24.05 Each

Specification Manual, 1957

Thunderbird
1957
DLT069 24.05 Each



DLT069



DLT060

DLT061

DLT062

CARBURETOR MANUALS

Carburetor Manual, 1955

1955
DLT060 18.70 Each

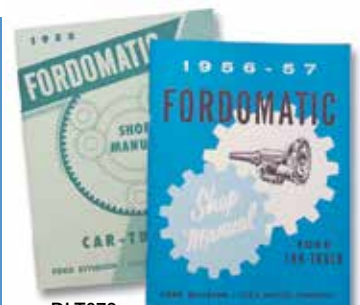
Carburetor Manual, 1956 Supplement

1956
DLT061 18.70 Each

Carburetor Manual, 1957

1957
DLT062 18.70 Each

Give us a call if you can't find the parts you need. Our knowledgeable parts specialists will be happy to help!



DLT073

DLT074

SHOP MANUALS

Shop Manual 1955

1955
DLT070 21.71 Each

Shop Manual 1956

1956
DLT071 26.72 Each

Shop Manual 1957

1957
DLT072 30.06 Each

A Reprint of the original Shop Manual



DLT070



DLT071



DLT072

FORD-O-MATIC TRANSMISSION MANUALS

Ford-O-Matic Transmission Manual

1955
DLT073 18.70 Each

Ford-O-Matic Transmission Manual

1956 1957
DLT074 18.70 Each



DLT051

TRIM AND SEALER MANUAL

Trim And Sealer Manual
1955 1956 1957
DLT05122.13 Each



DLT052

ELECTRICAL MANUAL

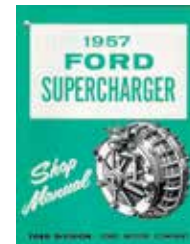
Electrical Manual
1955 1956 1957
DLT05222.13 Each



DLT054

DISTRIBUTOR MANUAL

Distributor Manual
1955 1956 1957
DLT05418.70 Each



DLT050

SUPER CHARGER MANUAL

Super Charger Manual
1957
DLT05018.70 Each

PRODUCTION SERVICE LETTER MANUAL

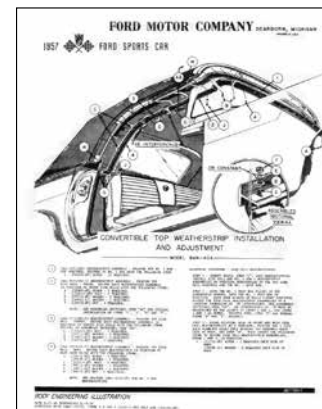
Production Service Letter Manual
1955 1956 1957
DLT053 24.05 Each



DLT053

SOFT TOP ILLUSTRATION

Soft Top Illustration
1955 1956 1957
DLT049 5.00 Each



DLT049

Larry's Radio Service Manual is quality reprint showing a schematic breakdown of the internal parts of the factory radio.



DLT077

DLT066

DLT067

RADIO SERVICE MANUALS

Radio Service Manual
1955
DLT077 4.50 Each

Radio Service Manual
1956
DLT066 10.89 Each

Radio Service Manual
1957
DLT0676.10 Each



DLT075

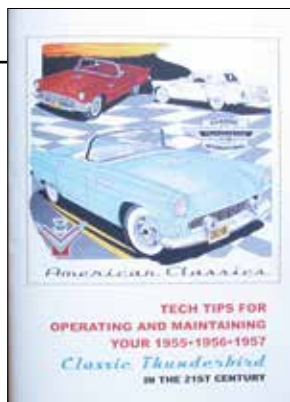
WIRE WHEEL COVER INSTRUCTIONS

Wire Wheel Cover Instructions
1955 1956
DLT0752.95 Each



TECH TIPS FOR OPERATING AND MAINTAINING YOUR 1955-1956-1957 CLASSIC THUNDERBIRD

Tech Tips For Operating And Maintaining Your 1955-1956-1957 Classic Thunderbird
1955 1956 1957
DLT056 10.69 Each



This handbook is designed to help the Classic Thunderbird Owner operate and maintain a classic Thunderbird within the parameters of automotive services and products available at the beginning of the 21st Century.

THUNDERBIRD ILLUSTRATED HISTORY BOOK

Thunderbird Illustrated History Book

1955 1956 1957

DLT05560.12 Each

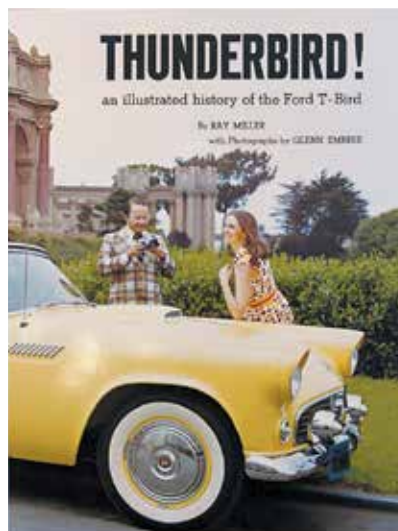
DETAILED! Over 1000 sharp, new pictures of the Ford Thunderbird, many in full color!

ACCURATE! Low-mile originals or quality restorations used as models!

LARGE SIZE! hard-bound, with colorful wraparound protective dust jacket. Over 300 pages, 1000 illustrations, many in full color!

Written by Ray Miller, noted automotive historian, with photos by Glenn Embree, outstanding automotive photographer! Similar to their earlier works on Antique & Classic Automobiles!

THUNDERBIRD! is not an amateur's photo album. Neither is it a complex engineering notebook. It contains, to be sure, some significant changes, but also the trivia of the model years. Rather, it is what it set out to be, an accurate, authoritative, study of the characteristics that make for a "typical" model year. Future restorers will benefit from its compact, succinct, and definitive presentations. It is a book to be enjoyed by the curious, welcomed by the purist, and relished by the aficionado.



DLT064

DLT063

If you are missing the original Owner's Manual that came with your car, our Owner's Manual is an excellent reproduction that looks just like the original. Perfect to include with your presentation materials for concours events or local car shows.

OWNERS MANUALS

Owners Manual 1955 Thunderbird

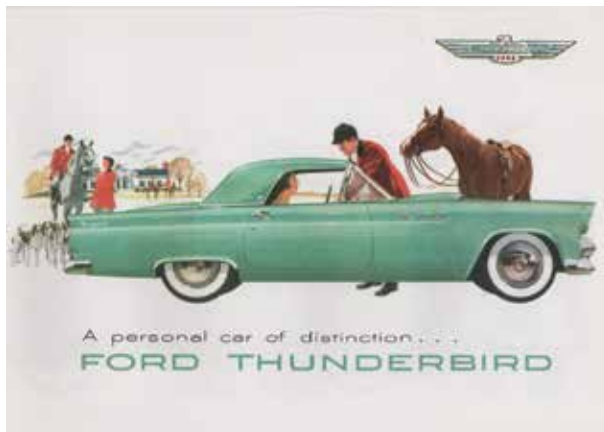
1955
DLT063 12.02 Each

Owners Manual 1956 Thunderbird

1956
DLT064 12.02 Each

Owners Manual 1957 Thunderbird

1957
DLT065 12.02 Each



DLT057

SALES BROCHURES

Sales Brochure 1955 Thunderbird

1955
DLT057 24.05 Each

Sales Brochure 1956 Thunderbird

1956
DLT058 16.03 Each

Sales Brochure 1957 Thunderbird

1957
DLT059 24.05 Each



DLT058



DLT059

AIR CLEANER

Decal, Fomoco Replacement Parts
1957

Air Cleaner
DDF062 3.51 Each

Decal, Service Instructions
1955 1956

Air Cleaner
DDF063 8.77 Each



DDF062



DDF063

ENGINE COMPARTMENT

Decal, Voltage Regulator Cover

1956 1957
Engine Compartment
DDF244 9.40 Each

Decal, Coil

1956 1957
Engine Compartment
DDF245 8.35 Each

Decal, Generator

1956
Engine Compartment
DDF246 1.50 Each

Decal, Generator

1957
Engine Compartment
DDF247 1.50 Each

Decal, Transmission

1955 1956 1957
Engine Compartment
DDF248 2.00 Each

Decal, Can Type Oil Filter

1955 1956 1957
Engine Compartment
DDF249 2.00 Each

Decal, Voltage Regulator Cover

1955
Engine Compartment
DDF250 1.75 Each

Fomoco Antifreeze Tag

1955 1956 1957
Engine Compartment
DDF251 8.87 Each

Decal, Starter

1956 1957
Engine Compartment
DDF252 1.50 Each

Continued on the next page

VALVE COVERS

Decal, Thunderbird Special V8

1955 1956 1957
Valve Cover, 312
DDF115 16.18 Pair

Decal, Thunderbird V8

1955 1956 1957
Valve Cover, 292
DDF116 16.18 Pair



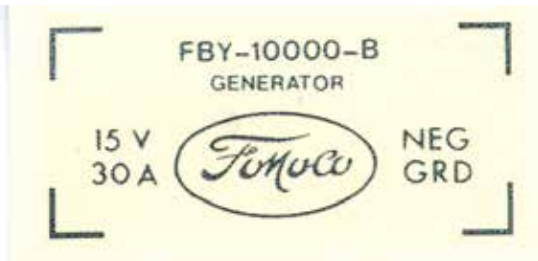
DDF115



DDF116



DDF245



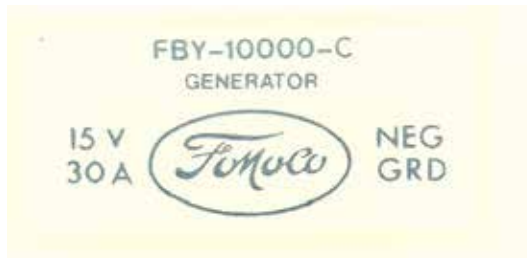
DDF246



DDF248



DDF249



DDF247



DDF252

Engine Foundry Tag
1955 1956 1957
Engine Compartment
DDF253 9.40 Each

Decal Set, Paint Ok
1955
Engine Compartment
DDF254 9.40 Set

Decal Set, Paint Ok
1956
Engine Compartment
DDF255 9.40 Set

Decal Set, Paint Ok
1957
Engine Compartment
DDF256 9.40 Set



TRUNK

Decal, Jack Instructions
1955 1956
Trunk
DDF539 2.75 Each

Decal, Jack Instructions
1957
Trunk
DDF540 1.50 Each

Decal, Hood Blank-Off Plate
1955 1956 1957
Exterior
DDF627 2.00 Each

DECAL KITS

Decal Kit, 9 Piece
1955
DDK001 5.29 Each

Decal Kit, 12 Piece
1956
DDK002 7.60 Each

Decal Kit, 12 Piece
1957
DDK003 13.04 Each

Wire Loom Tag Set
1957
DDK004 9.19 Each

HARDWARE FOR THIS SECTION

Data Plate Rivets
1955 1956 1957
DHK5026 4.40 Pair



INSTRUCTIONS FOR REMOVING BLOWER & DUCT ASS'Y

DISCONNECT THE BLOWER WIRES FROM HARNESS & GROUND.

- ① LOOSEN CLAMP SCREW & PULL FLEXIBLE DUCT OFF INLET DUCT
- ② ROTATE LOCKING LEVERS COUNTER CLOCKWISE & REMOVE INLET DUCT FROM HEATER CASE
- ③ GRASP BLOWER HOUSING & MOTOR & ROTATE IN DIRECTION OF ARROW UNTIL LOCKING PINS ARE CLEAR OF SLOTS IN BLOWER BRACKET. BLOWER CAN NOW BE LIFTED CLEAR OF ENGINE COMPARTMENT

TO INSTALL BLOWER & DUCT ASS'Y - REVERSE ABOVE PROCEDURE

DDF470

INTERIOR

Decal, Service Policy
1956
Interior
DDF469 8.35 Each

Decal, Heater Instructions
1955 1956 1957
Interior
DDF470 2.25 Each

Owner Manual Maintenance Insert
1955 1956 1957
Interior
DDF471 8.35 Each

Decal, Engine Oil And Tire Pressure
1957
Interior
DDF472 9.40 Each

Decal, Engine Oil And Tire Pressure
1955 1956
Interior
DDF473 1.75 Each

Decal, Soft Top
1955 1956 1957
Interior
DDF474 1.50 Each

Decal, Lifeguard
1957
Interior
DDF475 2.00 Each

Battery Warranty Card
1955 1956 1957
Interior
DDF476 8.35 Each

Tire Instruction Folder
1955 1956
Interior
DDF477 8.35 Each

Tire Owner Manual Insert
1955 1956
Interior
DDF478 8.35 Each

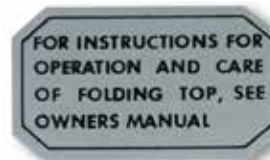
New Car Delivery Report
1955 1956
Interior
DDF479 8.35 Each

Glare-Proof Mirror Tag
1955 1956
Interior
DDF480 8.35 Each

Clock Instruction Booklet
1955 1956
Interior
DDF481 8.87 Each



DDF472



DDF474

Decal, Transistor Radio
1957
Interior
DDF482 8.35 Each

Service Policy
1955
Interior
DDF483 8.35 Each

Decal, Patent Plate
1955 1956 1957
Interior, Except Late 1957
DDF484 2.00 Each

Decal, Patent Plate
1957
Interior, Late 1957
DDF485 1.75 Each

Decal, Lifeguard
1956
Interior
DDF486 2.25 Each



DDF475

Unfortunately, We cannot Ship Paints, Dyes, or other Hazardous Materials by Air Delivery or to any Foreign Countries.



DPT15



DPT16



DPT17

ENGINE COMPARTMENT

Paint, Argent

1955 1956
1955-1957 Air Cleaner And
Power Steering Reservoir, 1961-
62 Valve Cover
DPT02 16.08 Each

Engine Paint, Black

1955 1956 1957
DPT15.....11.39 Each

For Miscellaneous Parts in
Thunderbird Engine Compart-
ments

Engine Paint, Red

1955 1956 1957
DPT16..... 12.64 Each

For Miscellaneous Parts in
Thunderbird Engine Compart-
ments

Engine Paint, Cast Blast

1955 1956 1957
DPT17..... 14.53 Each

Rated up to 12000, Cast Blast
is a high performance coating
suitable for exhaust manifolds
or other cast iron parts,
restoring them to their original
lustre and finish. Cast Blast
helps prevent rust, is quick
drying and durable.

INSTRUMENT PAINT

Instrument Paint, Red

1955 1956 1957
Instruments, Emblems, and
Valve Covers
DPT18..... 4.29 Each

Touch Up Paint, Turquoise

1955 1956 1957
Emblems, Valve Covers
DPT19..... 4.29 Each



DPT19



Use touch-up paint for logo
areas on Aluminum Valve
Covers and the dash emblem

VINYL DYE

Vinyl Dye Prep Agent

1955 1956 1957
DVD01 18.97 Each

Vinyl Dye, Black

1955 1956 1957
DVD0222.66 Each



Jack Handle Lug Wrench
1955 1956 1957
B17032A..... 29.23 Each

Door And Window Handle Removal Tool
1955 1956 1957
DTL02..... 6.38 Each

Window Moulding Removal Tool
1955 1956 1957
DTL06..... 14.29 Each

Dash Bezel Removal Tool
1955 1956 1957
DTL09..... 8.50 Each

Ball Joint Tool
1955 1956 1957
DTL10 25.05 Each

Grease Cap Installation Tool
1955 1956 1957
DTL11 20.04 Each

Temperature Sensor Adapter Tool, 3/8 Inch Thread
1955 1956
DTL12 26.72 Each

Temperature Sensor Adapter Tool, 1/4 Inch Thread
1957
DTL13 26.72 Each

Front Antenna Removal Tool
1955 1956 1957
DTL14 11.69 Each

Door Glass Run Installation Tool
1955 1956 1957
DTL15 26.72 Each

Crank Dampener Removal Tool
1955 1956 1957
DTL17 75.15 Each

Spare Wheel Cover Tool
1956
DTL18 13.09 Each

SHOP SUPPLIES

ADHESIVES

Weatherstrip Adhesive, Black
1955 1956 1957
DSS01 15.28 Each

Weatherstrip Adhesive, Yellow
1955 1956 1957
DSS02 9.10 Each

Spray Adhesive
1955 1956 1957
DSS03 28.44 Each



UPHOLSTERY INSTALLATION HOG RINGS

Hog Ring Kit, With Pliers
1955 1956 1957
DSS04 14.89 Each

Hog Rings, 100 Pack
1955 1956 1957
DSS06 8.35 Each



STAPLES

Staple Kit
1955 1956 1957
70 Count - 7/16 x 1/2, 16 Gauge
DSS11..... 2.29 Each





COMMITTED TO EXCELLENCE SINCE 1969
800-854-0393 • LARRYSTBIRD.COM

CUSTOM CAR COVERS ***FOR CARS & TRUCKS***



Larry's Thunderbird and Mustang Parts is your one-stop shop for **top-quality car covers**. Made in-house right here in Corona, California. Our inventory covers hundreds of makes and models, from the Ford Motor Company, General Motors, Chrysler, Dodge and Plymouth, foreign makes and so much more. Our covers come in two materials: flannel or polycotton. They are designed to protect your vehicle from dust in garage environments . Visit **larrystbird.com** today to view our complete line of car covers — there is one for your ride!

***SCAN THE CODE TO JUMP TO CAR
COVERS AT LARRYSTBIRD.COM***



ALL PRICES SUBJECT TO CHANGE. FOR CURRENT PRICING SEE OUR WEBSITE. CHECK STOCK STATUS BY CALLING 800-854-0393. © 2024 LARRY'S THUNDERBIRD & MUSTANG PARTS.

- Accelerator Pedal..... 51
- Accessories.....130
- Adapter, Oil Filter40
- Air Cleaner.....46
- Air Conditioning.....87-89
- Air Ducts.....87
- Antenna.....129
- Arm Rest Base.....96
- Arm Rest Cover.....10, 96
- Attaching Parts Kits.....122-127
- Axle Bumpers.....34

- Backup Lamp Gasket.....115
- Backup Lamp Lens.....69
- Backup Lamps.....69
- Ball Joints.....26
- Battery Cables.....62
- Battery Clamp.....61
- Battery Tray.....61
- Body Panels.....120-121
- Body Pillar Weatherstrip.....114
- Body Rubber Kit.....116
- Body Weatherstrip.....113-117
- Bows, Headliner.....107
- Brake Booster.....20
- Brake Drums.....20
- Brake Hoses.....22
- Brake Lines.....23
- Brake Pedals.....24
- Brake Shoes.....21
- Brakes.....20-25
- Breather Cap.....40
- Bulbs, Dash.....71-72
- Bumper Brackets.....85-86
- Bumper Guard.....86

- Cable, Heater.....89
- Car Care Products.....134
- Car Cover.....130
- Carburetor.....50
- Carburetor Gaskets.....50
- Carpet.....12
- Carpet Heat Shield.....13
- Cat Whisker Set.....91
- Cigar Lighter.....57
- Clock Face.....81
- Coil.....65
- Coil Springs.....27
- Condenser.....64
- Continental Kit Parts.....19
- Control Valve.....33
- Coupling, Power Seat.....76
- Crank, Window.....92

- Dash Aluminum.....55
- Dash Cover.....14, 55
- Dash Pad.....14, 55
- Decals.....138-139
- Deck Lid Bumper.....112
- Distributor Cap.....64
- Distributor Points.....64
- Door Handle Pads.....94
- Door Handles.....94
- Door Hinge.....90
- Door Latch.....90
- Door Locks.....93
- Door Moulding.....95
- Door Panel Trim.....95
- Door Panels.....9, 96
- Door Pillar.....91
- Door Seals.....91
- Door Skin.....90
- Doors & Windows.....90-97
- Drink Caddy.....132
- Drop Curtain.....14
- Dyes.....140

- Emblems.....118-119
- Engine Compartment.....38-41
- Engine Paint.....41
- Exhaust Hangers.....35-37
- Exhaust Manifold.....35
- Exhaust Systems.....35-37

- Fan Blade.....47
- Fan Shroud.....46

- Fender Emblems.....77
- Fender Ornaments.....119
- Fender Repair Panels.....98
- Fender Script.....77, 119
- Fender Skirt.....98, 121
- Fender Skirt Seals.....98
- Firewall Cover.....54
- Firewall Grommets.....54, 112
- Flasher.....70
- Floor & Cowl Plug Kit.....112
- Floor Cover.....12
- Floor Mats.....12, 130
- Floor Pans.....121
- Front Bumper.....85
- Fuel & Vacuum Lines.....49
- Fuel Caps.....49, 98
- Fuel Filler Door Hinge.....98
- Fuel Filter.....49
- Fuel Pump.....50
- Fuel Sender.....50, 80
- Fuel System.....48-52
- Fuses.....72

- Garnish Rail Cover.....15, 95
- Garnish Rails.....94
- Gas Tank.....48
- Gas Tank Neck Grommet.....49
- Gas Tank Strap.....48
- Gaskets, Valve Cover.....39
- Gear, Speedometer.....81
- Gear, Tachometer.....81
- Generator.....60
- Generator Regulator.....60
- Glass Run.....92
- Glove Box.....56
- Grille.....46
- Grille Moulding.....46
- Grommets.....112
- Ground Strap.....62

- Handle, Door.....94
- Hard & Soft Top Parts.....104-110
- Hard Top Hoist Kit.....109, 131
- Hard Top Latches.....105-106
- Hard Top Moulding.....108, 109
- Hard Top Weatherstrip.....107, 117
- Hardware.....122-127
- Harmonic Balancer.....38
- Headlamp Bucket Gasket.....66
- Headlamp Wire.....66
- Headlight Switch.....56, 66
- Headlights.....66
- Headliner.....13, 107
- Heater Parts.....87-89
- Heater Bezel.....57, 88
- Heater Control Face.....57, 88
- Heater Core.....88
- Heater Ducts.....89
- Heater Hose Clamps.....89
- Heater Plenum.....89
- Heater Valve.....89
- Hinge, Door.....90
- Hinge, Vent Door.....88
- Hood Bumper.....78, 112
- Hood Cable.....57, 78
- Hood Grille.....78, 119
- Hood Hinge Spring.....78
- Hood Pad.....78
- Horn Relay.....70
- Horn Ring.....70
- Horn Ring Emblems.....70
- Hose Clamps.....89

- Idler Arm.....30
- Ignition Switch.....56, 64
- Inside Mirror.....84
- Instruments.....79-81

- J Hook.....105
- Jack Parts.....19, 86
- Jewel Kit.....81

- Key Blanks.....56, 101
- Kick Panel Retainers.....59
- Kick Panels.....10, 59
- Knob, Vent Lever.....88

- Lamp Gasket Set.....66, 114
- Latch, Deck Plate.....106
- Latch, Hard & Soft Top.....105-106
- Leaf Springs.....27
- Lens, License Plate.....68, 99
- License Plate Lamp.....68-99
- Literature.....135-137
- Lock Cylinder, Door.....93
- Lock Knob, Door.....93

- Map Light.....57
- Master Cylinder.....22
- Mirrors.....84
- Motor Mounts.....38
- Motor, Heater.....89
- Moulding, Fender Skirt.....98
- Moulding, Garnish Rail.....95
- Moulding, Hard Top.....107
- Moulding, Rear Window.....107

- Nose Panel.....120

- Oil Dipstick.....40
- Oil Filters.....40
- Oil Pump.....39
- Outside Mirror.....84

- Paints.....140
- Panels, Door.....9, 96
- Park Lamp Gasket.....114
- Park Light Body.....66
- Parking Brake.....54
- Parking Brake Cables.....24
- Parking Light Lens.....66-67
- Pinion Seal.....40
- Port Hole Glass.....106
- Port Hole Kit.....106
- Power Seat Relay.....75
- Power Steering.....30
- Power Steering Hoses.....32-33
- Power Steering Pump.....32
- Power Window.....72-76, 92-93
- Power Window Harness.....74, 76

- Quarter Panel Cardboard.....11
- Quarter Panel Repair.....98
- Quarter Panel Script.....98

- Radiator.....45
- Radiator Cap.....46
- Radiator Hoses.....46
- Radio Knobs.....129
- Radio Tubes.....129
- Radios.....128-129
- Ram Cylinder.....31
- Rear Axle.....34
- Rear Bumper.....86
- Rear Window Moulding.....107
- Rocker Panel.....121
- Rubber Bumpers.....112
- Rubber Plugs.....112

- Seat Belts.....8, 111
- Seat Cover.....6-7
- Seat Divider Board.....102
- Seat Foam.....8
- Seat Handle.....111
- Seat Hardware.....111
- Seat Relay.....75
- Seat Switch Bezel.....75, 93
- Sheet Metal.....120-121
- Shift Knob.....43
- Shocks.....28
- Shop Manual.....135
- Soft Top Bracket.....109
- Soft Top Covers.....109-110
- Soft Top Latches.....105-106
- Soft Top Swingarm.....109
- Soft Top Trim.....108, 109
- Soft Top Weatherstrip.....108, 117
- Soft Tops Pins.....104
- Spare Tire.....19
- Spark Plug Wires.....65, 73
- Speakers.....128
- Speedometer Cable.....81
- Speedometer Lens.....81

- Spring, Trunk.....102
- Starter.....63
- Starter Solenoid.....63
- Steering.....29-33
- Steering Column.....31
- Steering Gearbox.....30
- Steering Wheel.....32
- Step Plates.....13, 90
- Stop Light Switch.....68
- Striker Plates.....91
- Sun Visor.....13, 53
- Suspension.....26-28
- Suspension Bumpers.....26
- Suspension Bushings.....27
- Sway Bars.....27
- Swingarm Bar.....109
- Switch, Power Seat.....75
- Switch, Power Window.....75

- Tachometer Face.....80
- Tail Lamp Socket.....67
- Tail Lamp Weatherstrip.....115
- Tail Lamp Wiring Loom.....72
- Tail Light Bezels.....68
- Tail Light Lens.....67-68
- Temperature Sender.....80
- Thermostat.....47
- Tie Rod Ends.....29-30
- Tonneau Cover.....14, 109
- Tools.....141
- Top Latch Plate.....105
- Top Lock.....105
- Transmission.....42-44
- Transmission Lock.....43
- Transmission Mount.....42
- Trunk Cardboard.....102
- Trunk Lock Cylinder.....101
- Trunk Lock Sleeve.....101
- Trunk Mats.....103
- Trunk Ornament.....102, 119
- Trunk Weatherstrip.....116
- Turn Signal Lever.....70
- Turn Signal Switch.....70

- Under Dash Wiring Loom.....74
- Universal Joints.....34
- Upholstery.....4-16

- Vacuum Advance.....65
- Valve Covers.....39
- Vent Control Assemblies.....88
- Vent Door Grille.....88
- Vent Door Seals.....55, 87
- Ventilation System.....55
- Vinyl Dyes.....140

- Washer Bag.....83
- Washer Pump.....83
- Water Pump.....47
- Weatherstrip Adhesive.....117
- Wheel Bearings.....18
- Wheel Center Medallion.....118
- Wheel Covers.....18
- Wheel Cylinders.....21
- Wheelhouse.....98
- Windlace.....11
- Window gear.....93
- Window Handle.....94
- Window Regulator.....92
- Window Roller.....92
- Window Stops.....92
- Window Switch Bezel.....75, 92
- Windshield Parts.....53
- Windshield Squirters.....83
- Windshield Wiper Arm.....82
- Windshield Wiper Parts.....82-83
- Windwing Parts.....53
- Wiper Knob.....82
- Wiper Motor, Electric.....82
- Wiring.....73-74
- Wiring Hole Grommet.....112

Ordering Information

Placing Orders

It is our goal to ship all orders within one day of receipt. If we are out of stock on a part and cannot supply within a reasonable length of time, we will refund your check or money order. All VISA®, MasterCard™, Discovercard®, and American Express orders will be accepted. Personal checks are welcome.

To Order by Telephone

Call Toll Free (800) 854-0393. Have your credit card ready. Our phone ordering hours are Monday thru Friday: 7am to 4pm.

Internet Orders

Larry's catalogs are featured on our web site: www.larrystbird.com. Follow instructions located on the site for proper ordering.

Shipping Charges

Our shipping policy is simple. We charge according to the standard shipping rates of the carrier plus a small handling fee. In most cases we use UPS or Fedex. However, other carriers may be used depending on the destination and what is being shipped. Please supply a street address. Most carriers will not deliver to a P.O. box.

Air Delivery

For faster delivery service, we do also ship orders by 1 day, 2 day and 3 day delivery. **Delivery Services cost an additional amount, depending on size and weight of cartons.** Please specify when ordering if you would like these special shipping services.

Foreign Shipments

Actual Shipping Charges will apply to foreign shipments. Customs fees, Duty charges, and other expenses are the responsibility of the customer.

One Final Note: Due to certain restrictions, we are not able to ship Hazardous Materials to any foreign countries; aerosol paint and vinyl dyes are shipped via surface delivery only and cannot be shipped via air delivery. These items will be noted by an asterisk* where listed in the catalog.

Returned/Refused Shipments

Customers will be responsible for all shipping charges, storage charges, and a *minimum* 10% handling fee on all refunded shipments. Merchandise returned that is not defective or damaged is subject to a *minimum* 10% restocking charge. The handling fee for parts purchased as 'used' is 15%. **No Returns Accepted on Special Order Items.**

Damaged Merchandise/Missing Merchandise

Inspect your parts immediately upon receipt. If you should receive parts that are freight damaged or missing due to a broken box, con-

tact the carrier (i.e. UPS, Post Office, or Freight Line) immediately. They will process your claim. **If you find a shortage in your order, you must advise us of that shortage within 7 days.** We can only accept responsibility for shortages reported within the 7-day time period. Please do not ship damaged parts back to us without prior authorization. We will do everything possible to see that you are taken care of quickly and efficiently.

Guarantee

All new and reproduced products are guaranteed against defects in workmanship and materials. **Liability of Larry's Thunderbird & Mustang Parts is limited to the replacement of defective parts.** If you are not satisfied with your purchase and wish to make an exchange or return for refund, we ask that this be done within 30 days after purchase. If the reason for your return is our error, we will pay the shipping costs both ways. However, all parts must be returned Freight Prepaid, by way the least expensive transportation. Returns cannot be accepted on the following items: Electrical Parts, Stripe Kits, Books, or items with which installation has been attempted. **All returns must have a copy of your original invoice, as well as a letter of explanation and may be subject to a restocking charge.**

Pricing

We attempt to maintain all prices included within this catalog, but because of normal market changes, we reserve the right to adjust prices without notice.

Core Charges

A *Core Charge* is applied to most rebuilt items. This is in addition to the price of the part but is refundable upon supplying Larry's with your *correct* and *rebuildable* core. This is done so that we may continue to recycle good cores. If we run out of good cores, we must have your core in advance so that we can rebuild it and return it to you. **Cores must be assembled, rebuildable, authentically correct, and drained of all fluids to receive a core charge refund.**

Change of Address/Duplicate Catalogs

If you are moving or receiving duplicate catalogs, please help us reduce waste by calling us with the correct address information. If you would like your name removed from our mailing list, call customer service at: (800) 854-0393 or e-mail us at info@larrystbird.com.

Catalog Information

We continue to maintain the largest supply of new, used and reproduced parts available anywhere for classic Thunderbirds, Ford Passenger cars and Mustangs. Our large inventory allows us to keep backorders to a minimum. We have tried to organize parts so that your ordering and restoration job is an easy one.

We continue to add new parts to our catalogs as they become available. If you are looking for a particular part and aren't able to locate it in this catalog, give us a call. It could be that the part is now available but wasn't when we put this catalog together. If you have any questions, give us a call or send a note via e-mail. We are more than happy to help meet your needs if at all possible. And thank you for your business. We appreciate it!





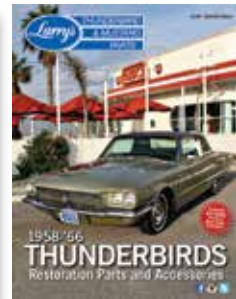
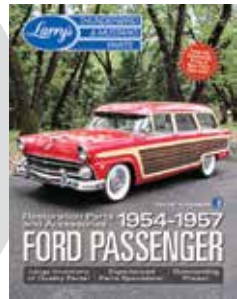
**Order your
FREE
Catalog!**



Restoration Parts & Accessories



**Ford Passenger,
Little Bird,
Big Bird &
Mustang
Catalogs!**



- ★ 1954-57 Ford Passenger
- ★ 1955-57 Thunderbird
- ★ 1958-66 Thunderbird
- ★ 1965-73 Mustang

**Order Today !
(800) 854-0393**

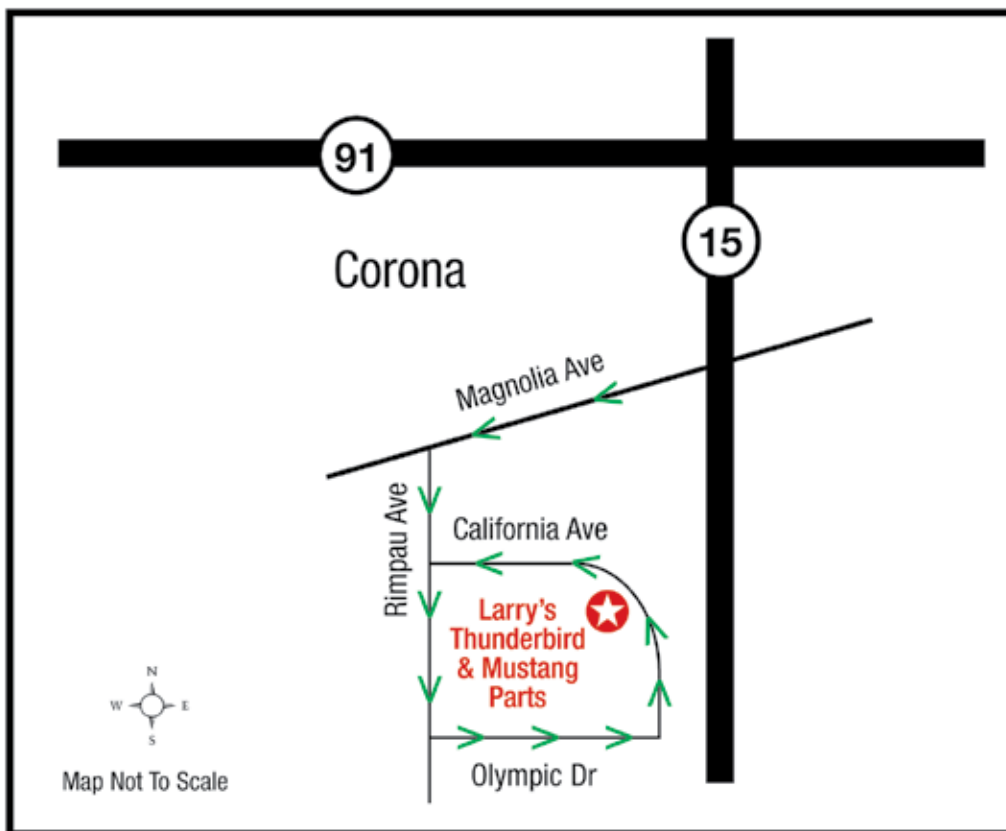
Larry's Thunderbird & Mustang Parts
1180 California Ave #B • Corona, CA 92881
Info: (951) 270-3223 • www.larrystbird.com





1180 California Ave. #B
Corona, California 92881

Visit Our Location



Our Address:

1180 California Ave. #B
Corona, California 92881

Store Hours:

Monday-Friday 7:00am to 4:00pm