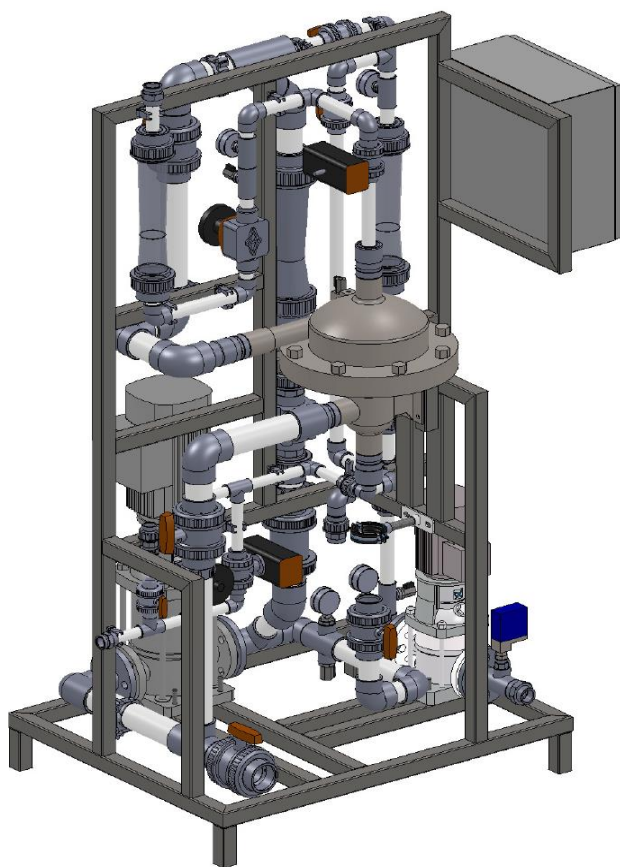
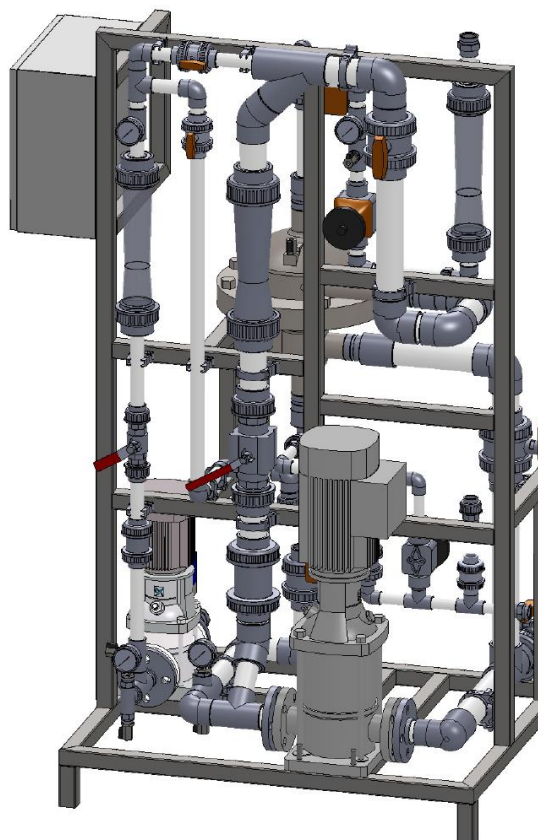


*LenntEQ*  
*Filter :*  
*10-20-30-50*  
*µm*



*UP to*  
*5.6 m<sup>3</sup>/h*

### Description

Lenntech Tequatic Filters are designed to filter oil field waters with high total suspended solids.

Lenntech units are ready-to-use, skid mounted and easy to operate.

- Compact design, low energy demand;
- Easy to integrate and install into new and existing systems;
- Can be configured for water recovery and reuse, or straight pass-through

### This system includes

- Recirculation pump;
- Flow meters;
- Pressure indicators: feed pressure
- Controller for fully automatic operation;
- PVC piping, flexible braded hose.

### Specifications

Parameter	Range
Flow capacity	0.45 – 5.6 m3/h
Filter cutoff	10,15,20,30,50 µm
Temperature	Max 60 °C
pH	2-11
Max. working Pressure	100 Psi (6.9 bar)
Dimensions	
A: Diameter	16'' (40.6 cm)
B: Height	18'' (45.7 cm)

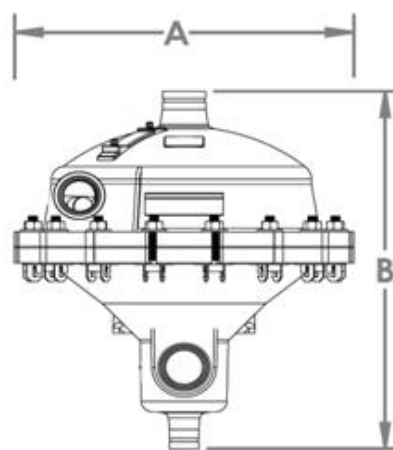


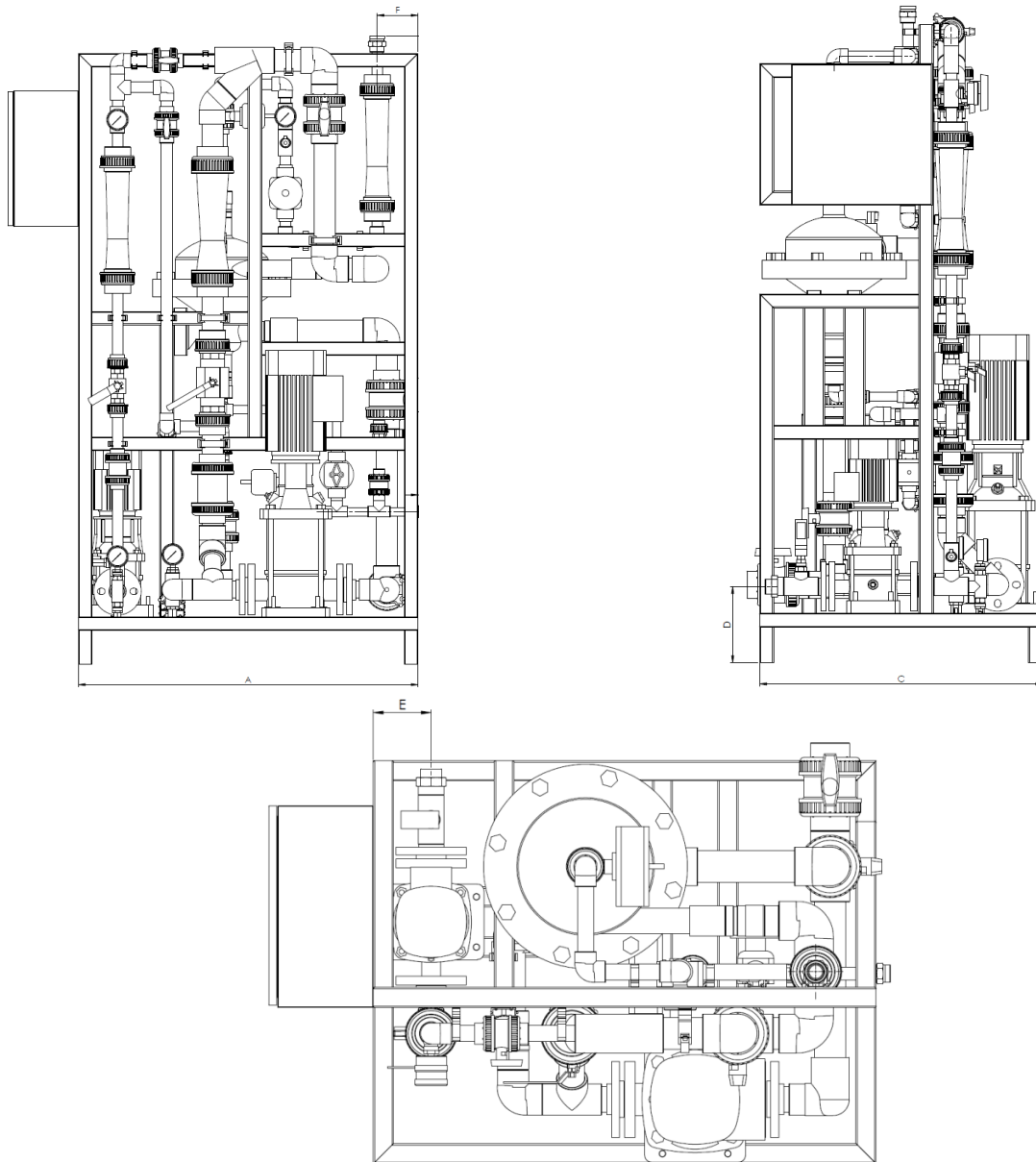
Figure 1

### Design Table

Source Water Total Solids Concentration	Filtrate Flow l/h				Recirculation Flow m3/h	Cleaning Assembly Rotational Speed (RPM)	Forward Spin Frequency Minutes	Concentrate Purge Frequency Minutes
	10 Micron	20 Micron	30 Micron	50 Micron				
Low 100-1,000 mg/L	1363- 2271	2498 - 3407	3634 - 4542	4769 - 5678	11.4	300-500	30-60	10-20
Medium 1,000-5,000 mg/L	681- 1136	1362- 2270	2497- 3405	3632- 4540	11.4	300-500	15-30	5-10
High 5,000-10,000 mg/L	227- 681	681- 1135	1362- 2270	2497- 3405	11.4	300-500	5-15  Combined with concentrate purge	3-5 with continuous purge back to source

Flow rates are guidelines only and the actual flows based on fluid viscosity, solids characteristics and other factors

### Dimensions



Dimensions	mm	Dimensions	mm
A	1000	F	120
B	1800	G	53
C	800	H	450
D	215	I	30
E	115		
<b>Empty weight</b>	<b>125kg</b>		

Lenntech can provide all water treatments solutions

- RO and all post and after water treatment inquires
- Ultra filtration
- Ozone generators'
- Multimedia filters
- Softeners

Please contact us for further information.