

SQF 3A-10 Rp 1 1/4 cpl. Grundfos pump 95027336




Thank you for your interest in our products. Please contact us for more information, or visit our website

<https://www.lenntech.com/grundfos/SQFFAM/95027336/SQF-2-5-2-N.html>

info@lenntech.com

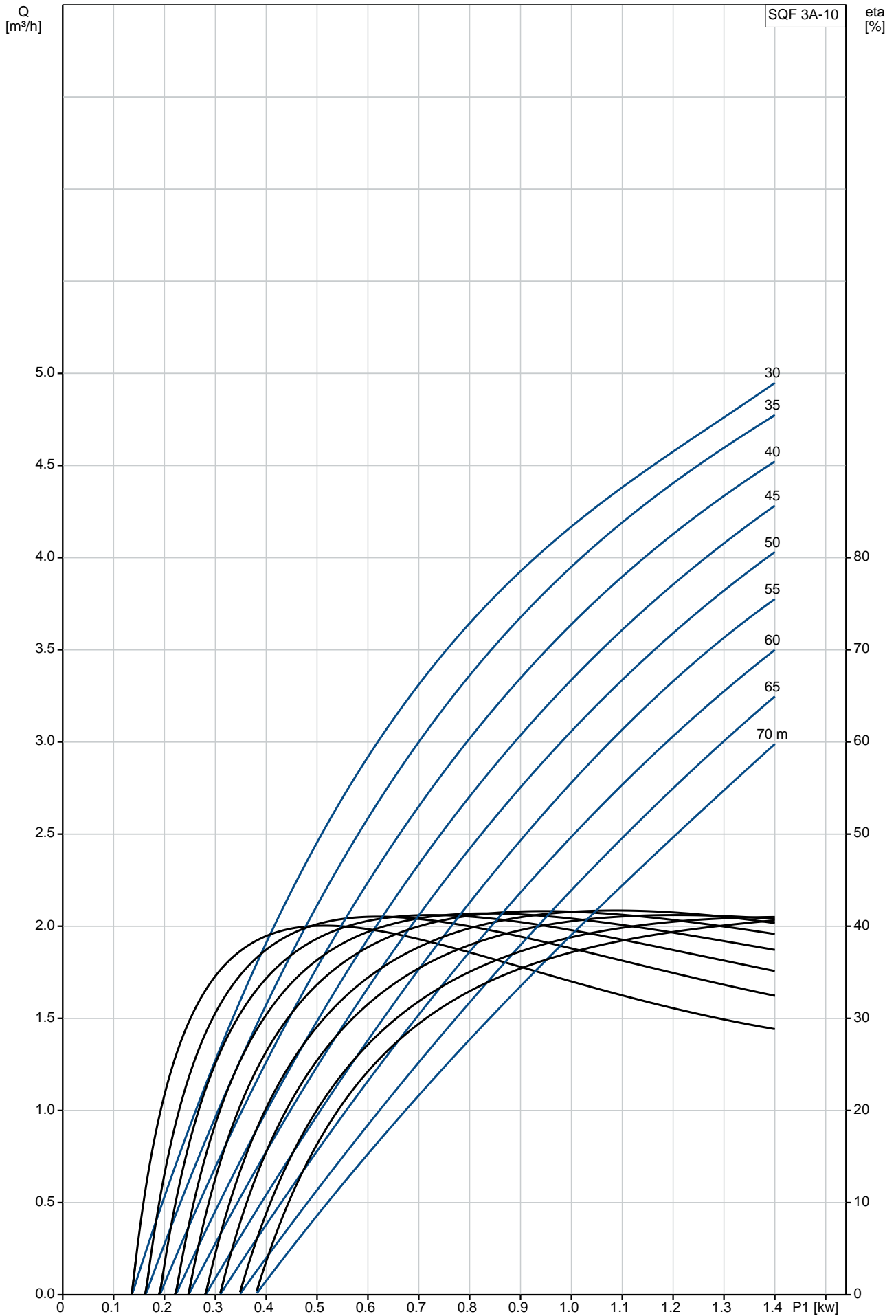
tel. +31 152 610 900

fax. +31 152 616 289

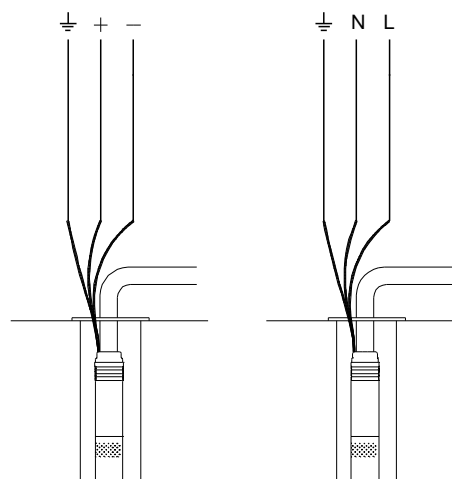
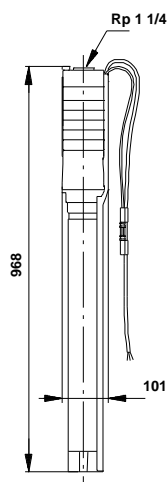
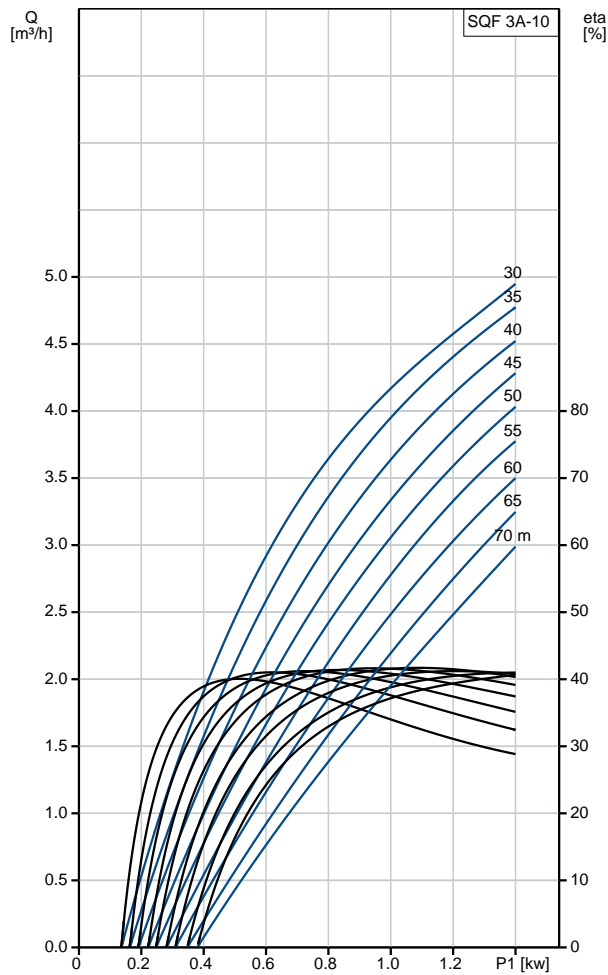
Position	Qty.	Description
	1	<p data-bbox="322 163 446 194">SQF 3A-10</p>  <p data-bbox="710 593 1197 622">Note! Product picture may differ from actual product</p> <p data-bbox="322 627 598 656">Product No.: On request</p> <p data-bbox="322 683 1050 712">The 4" SQF centrifugal pump is for low heads and large flow rates.</p> <p data-bbox="322 743 1412 799">The SQFlex system is a reliable water supply system based on renewable energy sources, such as solar and wind energy.</p> <p data-bbox="322 801 1369 857">Thanks to its flexible energy supply and performance, the SQFlex system can be combined and adapted to meet any need on the installation site.</p> <p data-bbox="322 889 1428 945">The SQFlex system has a wide voltage range, built-in maximum power point tracking (MPPT) as well as dry-running, voltage and overload protection.</p> <p data-bbox="322 1008 406 1037">Liquid:</p> <p data-bbox="322 1039 821 1160">Pumped liquid: Water Maximum liquid temperature: 40 °C Liquid temperature during operation: 20 °C Density: 998.2 kg/m³</p> <p data-bbox="322 1187 446 1216">Technical:</p> <p data-bbox="322 1218 837 1274">Approvals on motor nameplate: CE,RCM,EAC Approvals on pump nameplate: CE,EAC</p> <p data-bbox="322 1305 438 1335">Materials:</p> <p data-bbox="322 1337 885 1512">Pump: Stainless steel DIN W.-Nr. 1.4301 AISI 304 Impeller: Stainless steel DIN W.-Nr. 1.4301 AISI 304</p> <p data-bbox="322 1543 462 1572">Installation:</p> <p data-bbox="322 1574 774 1662">Maximum ambient pressure: 15 bar Pump outlet: Rp 1,25 Minimum borehole diameter: 102 mm</p> <p data-bbox="322 1693 502 1722">Electrical data:</p> <p data-bbox="322 1724 837 2101">Motor type: MSF3 Power input - P1: 1.4 kW Rated voltage ac: 1 x 90-240 V Rated voltage dc: 30-300 V Rated current: 8.4 A Power factor: 1.0 Rated speed: 500-3600 rpm Start. method: direct-on-line Enclosure class (IEC 34-5): IP68 Insulation class (IEC 85): F Length of cable: 2 m Udc: 300 V 30 V</p>

Position	Qty.	Description
		<p>Others: Minimum efficiency index, MEI : 0.70 Net weight: 9.8 kg Gross weight: 10.9 kg Shipping volume: 0.028 m³</p>

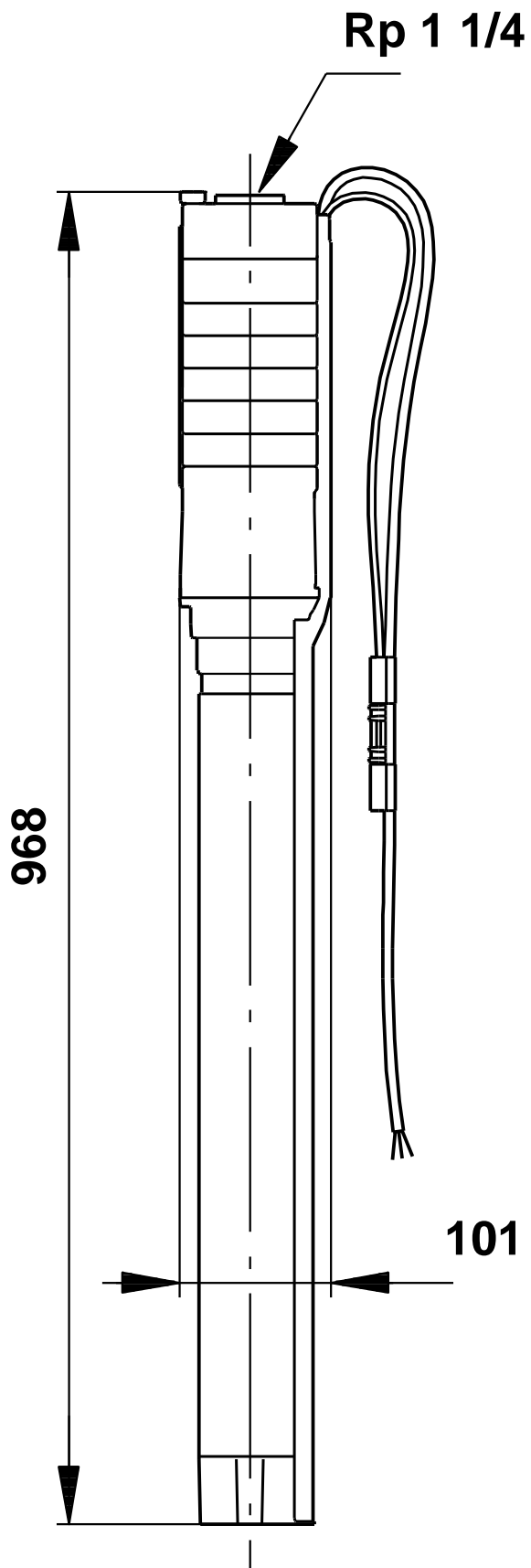
On request SQF 3A-10 50 Hz



Description	Value
General information:	
Product name:	SQF 3A-10
Product No:	On request
EAN number:	On request
Technical:	
Stages:	10
Approvals on motor nameplate:	CE,RCM,EAC
Approvals on pump nameplate:	CE,EAC
Pump No:	95027384
Valve:	pump with built-in non-return valve
Materials:	
Pump:	Stainless steel DIN W.-Nr. 1.4301 AISI 304
Impeller:	Stainless steel DIN W.-Nr. 1.4301 AISI 304
Rotor:	DIN W.-Nr. 1.4301 AISI 304
Stator:	DIN W.-Nr. 1.4301 AISI 304
Installation:	
Maximum ambient pressure:	15 bar
Pump outlet:	Rp 1,25
Minimum borehole diameter:	102 mm
Liquid:	
Pumped liquid:	Water
Maximum liquid temperature:	40 °C
Liquid temperature during operation:	20 °C
Density:	998.2 kg/m ³
Electrical data:	
Motor type:	MSF3
Power input - P1:	1.4 kW
Rated voltage ac:	1 x 90-240 V
Rated voltage dc:	30-300 V
Rated current:	8.4 A
Power factor:	1.0
Rated speed:	500-3600 rpm
Start. method:	direct-on-line
Enclosure class (IEC 34-5):	IP68
Insulation class (IEC 85):	F
Motor protec:	Y
Thermal protec:	internal
Length of cable:	2 m
Motor No:	96275336
Udc:	300 V 30 V
Others:	
Minimum efficiency index, MEI :	0.70
Net weight:	9.8 kg
Gross weight:	10.9 kg
Shipping volume:	0.028 m ³
Sales region:	Europe/South America/Japan

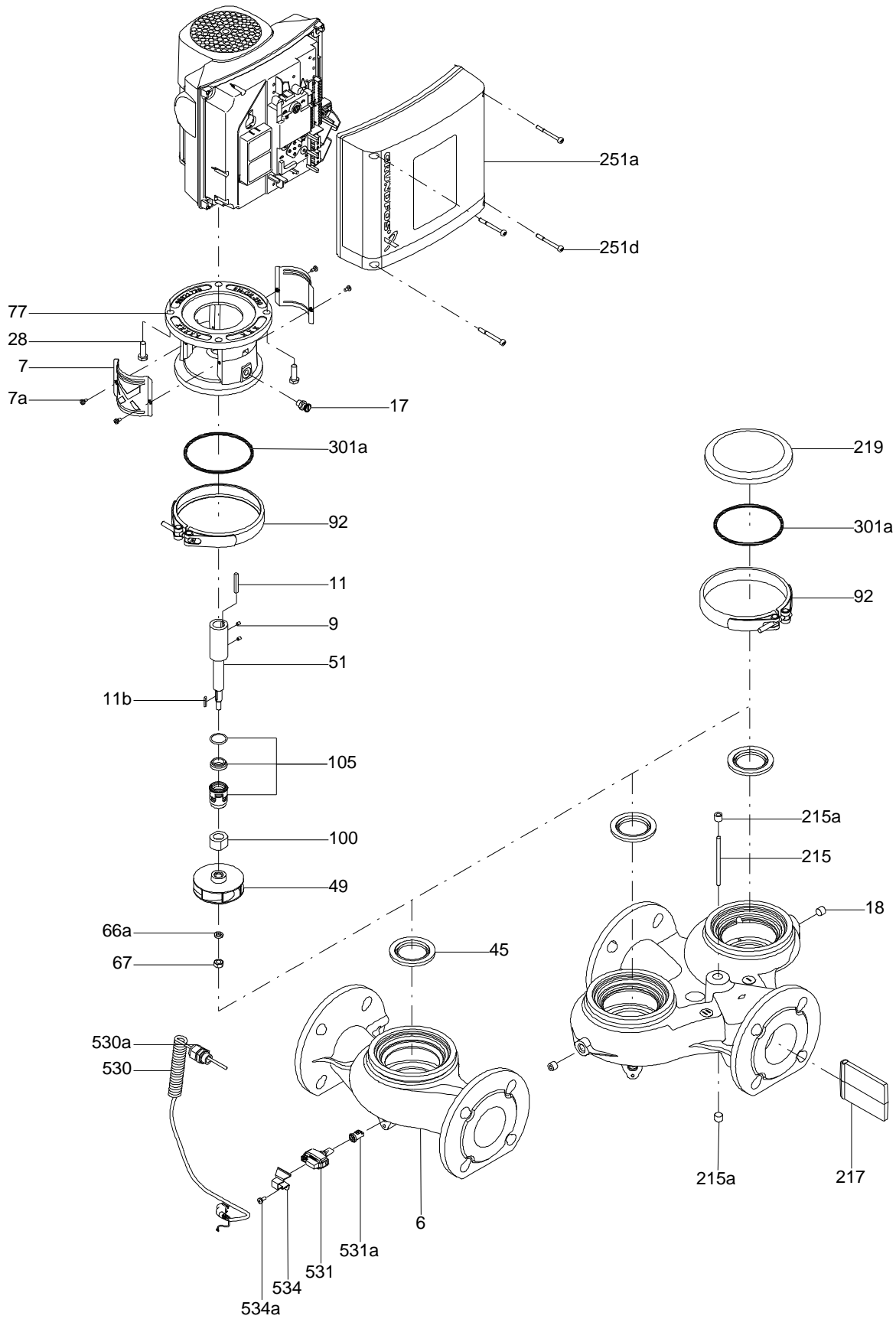


On request SQF 3A-10 50 Hz

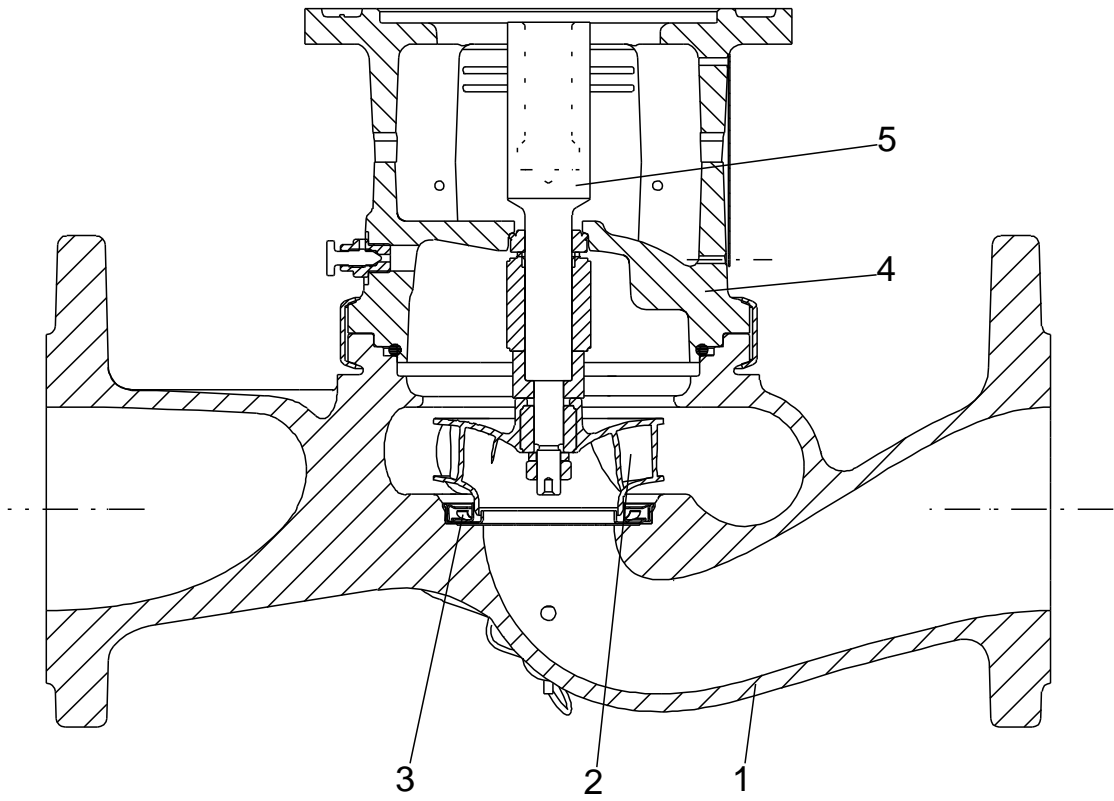


Note! All units are in [mm] unless others are stated.
Disclaimer: This simplified dimensional drawing does not show all details.

Exploded view

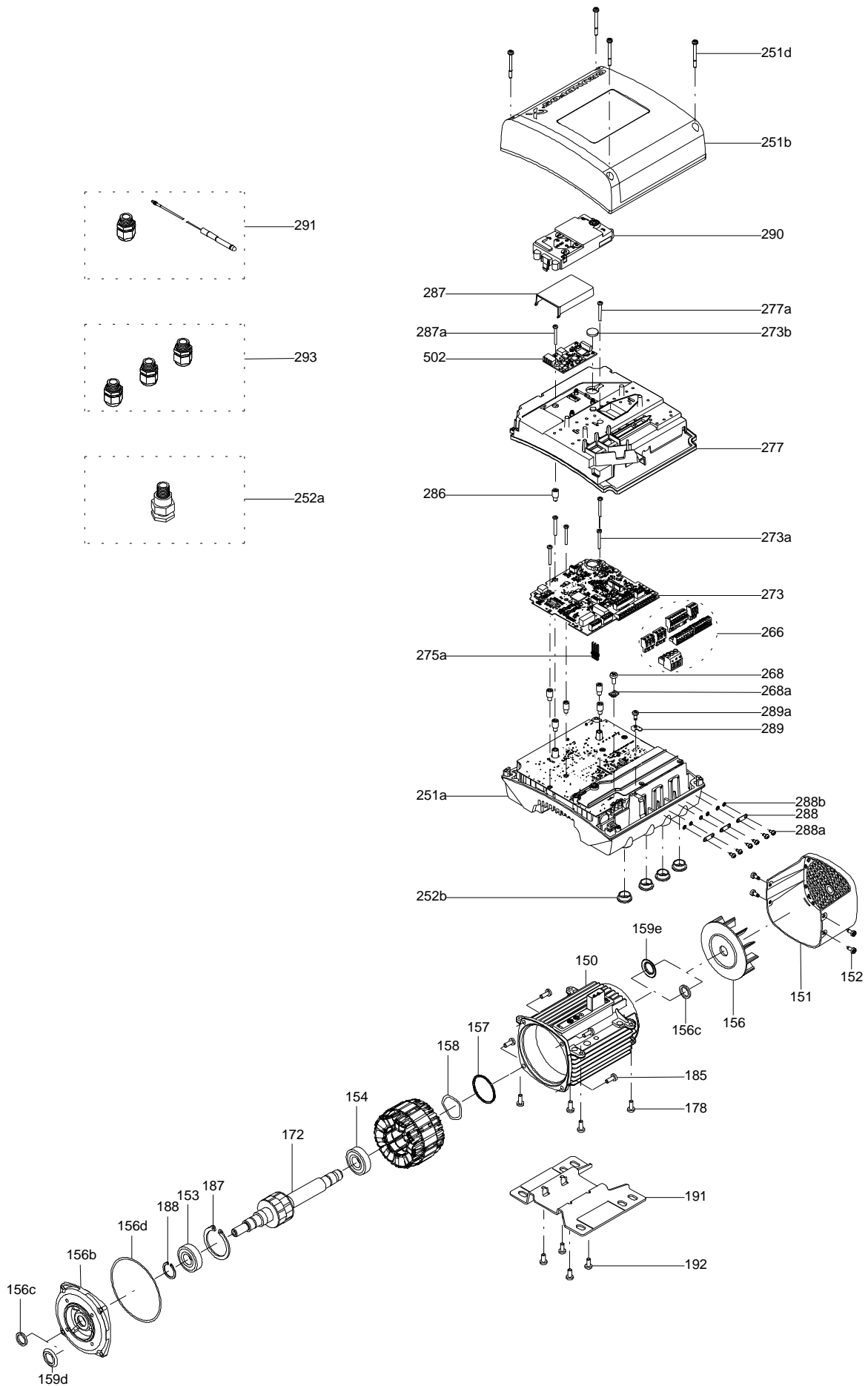


Sectional drawing (TM058200 for TPE2,TPE3)



TM058200

Exploded view (TM057026 for MGE model H/I)



Parts list SQF 3A-10, Product No. On request
Valid from 21.4.2006 (0616)

Pos	Description	Annotation	Données de classification	Référence	Quantité	Unité
-	Pump w/o motor				1	pcs
- 1	Valve casing cpl.				1	
	Valve casing				1	
	Bearing, top				1	
2	Valve cone				1	
3	Valve seat				1	
70	Valve guide				1	
+	Motor				1	pcs

Disclaimer: The information about the Grundfos pump in this document may be outdated.

Data may be subject to alterations without further notice.

Please contact us to verify the data above is still accurate/up-to-date.

All information is copyright Grundfos.



info@lenntech.com

<https://www.lenntech.com>

tel. +31 152 610 900

fax. +31 152 616 289