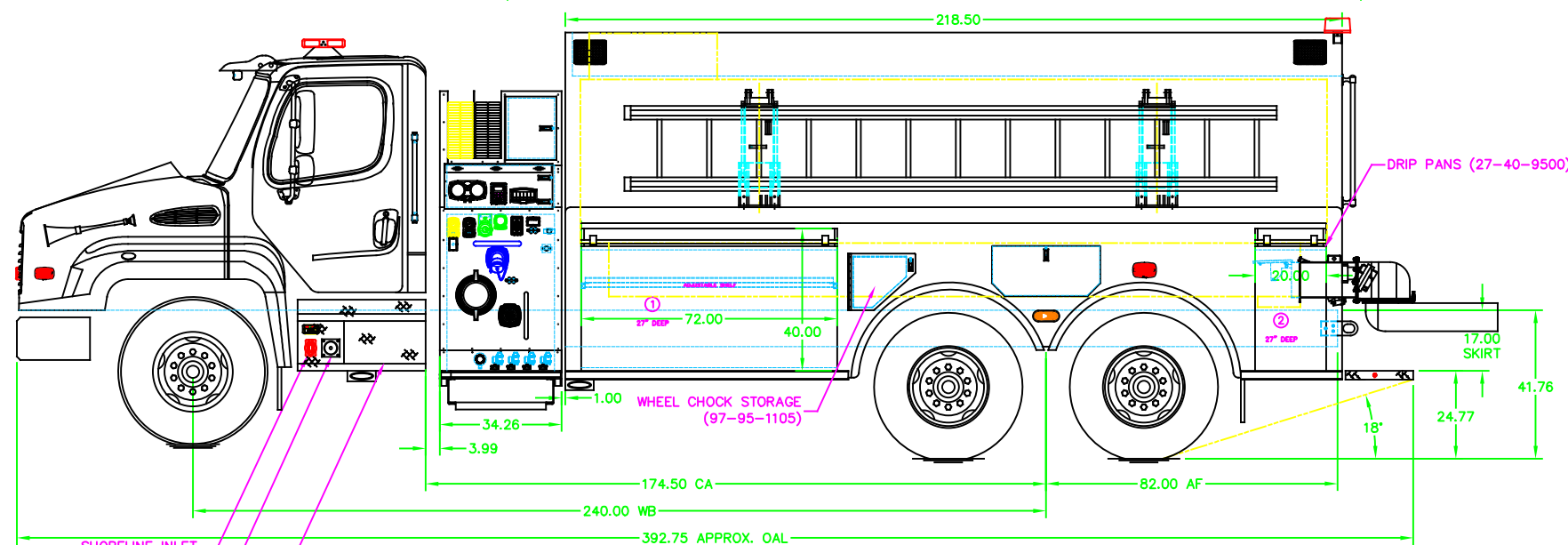
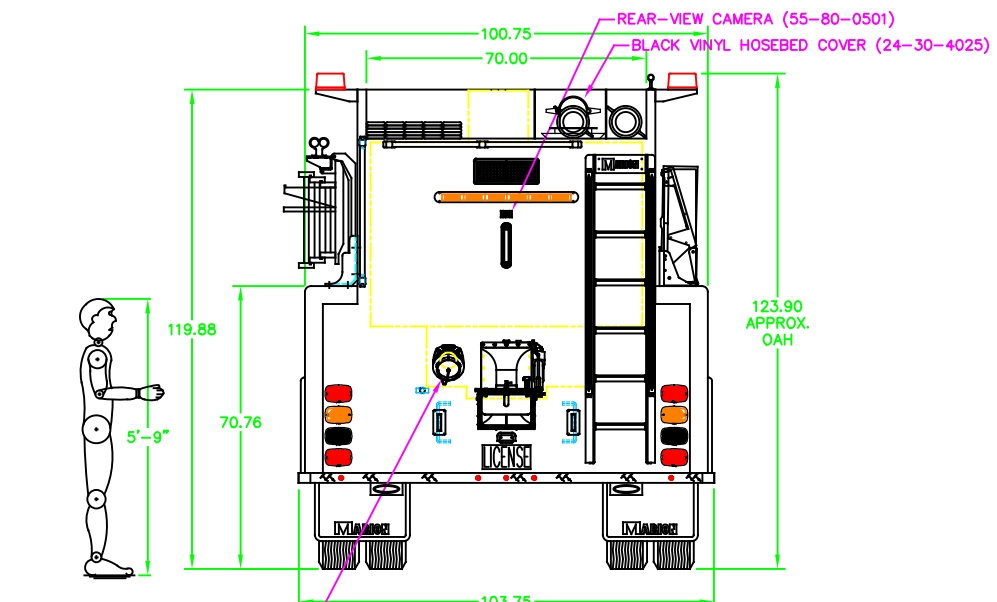


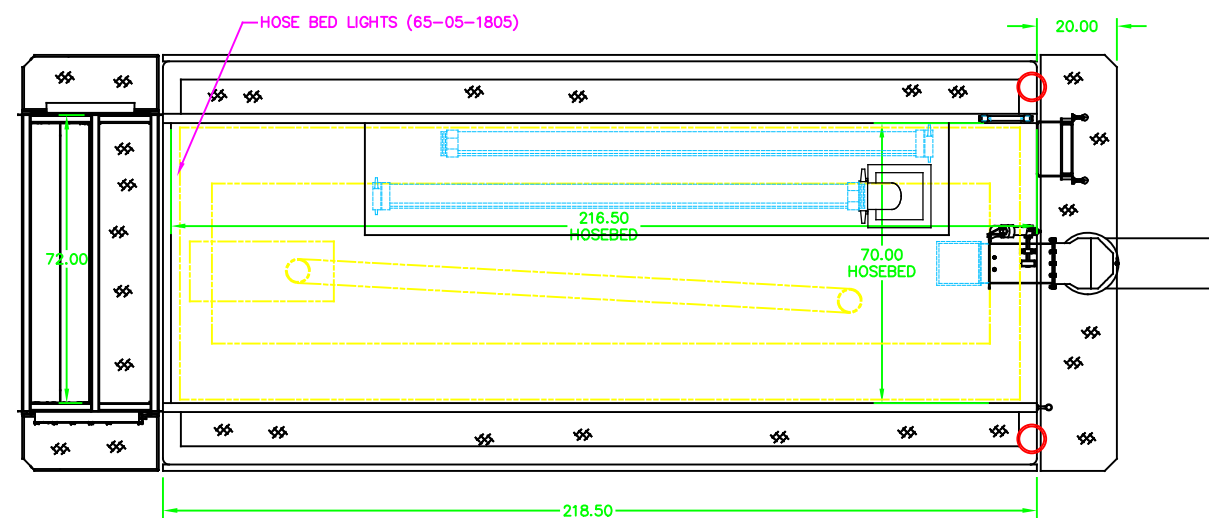
FRONT VIEW



DRIVERSIDE VIEW



REAR VIEW



TOP VIEW

MAXIMUM OVERALL LENGTH SPECIFIED 33' OR 396" (33-49-1000)  
 MAXIMUM OVERALL HEIGHT 10'-11" OR 131" (33-49-2000)

1000 GPM WATEROUS CXPA  
 3000 GALLON WATER TANK  
 92554 MBW JOB NUMBER

CHASSIS SPECS				MARION BODY WORKS, INC. P.O. BOX 500 MARION WISCONSIN 54950-0500 715/754-5261 FAX 715/754-5776			
B	2/1/22	GRS	REVISED PER PRE-BUILD MEETING WITHOUT DUMP CHANGE	CHASSIS	TITLE TANKER, 3000 GALLON		
A	1/11/22	GRS	REVISED PER ROB'S EMAIL AND MARKED-UP DRAWING	FREIGHTLINER	FOR BARABOO, WI		
LTR	DATE	BY	DESCRIPTION	MODEL	114SD	SCALE	1/20
MARION RESERVES THE RIGHT TO MAKE MINOR DIMENSIONAL CHANGES, AND DESIGN AND COMPONENT CHANGES FOR PRODUCT IMPROVEMENT				BY	GRS	DATE	11/2/21
				DATE	11/2/21	SCALE	1/20
				DRG. NO.	98300331	SHEET 1 OF 1	