



NATURE PLAY





HOW WE PLAY THE NATURE WAY

THREE KEYS FOR GREAT NATURE PLAY

1. **The right kind of PLACE**
Good nature play requires land that is not too protected and is wild - at least in children's eyes.
2. **The right kind of PLAY**
Outdoor, "child-centered" play is the goal: play that children themselves initiate, guide, change, or abandon.
3. **The right kind of RE-PLAY**
Frequent outdoor nature play is key to developing memories and love of nature throughout a child's life. This level of frequency may be the hardest aspect of nature play to restore.



BENEFITS OF NATURE PLAY

- 1. Makes Kids Healthier**

Regular habits of active play during childhood are one of the best predictors of active adulthoods.
- 2. Makes Kids Smarter**

The variety provided by nature stimulates and develops a child's body and offers an added boost to the development of the brain.
- 3. Makes Kids Feel Better**

Outdoor play in green settings reduces the symptoms of attention-deficit hyperactivity disorder in children.
- 4. Good For The Earth**

Frequent, unstructured childhood play in natural settings has been found to be the most common influence on the development of life-long conservation values.

WOOD





ROBINIA WOOD

- Highest pressure and bending strength and is suitable for making playground equipment due to its durability in contact with the soil
- Robinia logs consist entirely of heartwood
- In untreated condition, Robinia will first get a golden color, and then turn grayish like any other untreated wood
- Norna products are sustainably harvested and FSC-certified

NORNA
PLAYGROUNDS
designed for sustainable and creative play





CEDAR

- Has a smooth and soft finish
- Lighter than hardwood but it's not weak due to this lightness
- Resistant to rot when it comes into contact with the soil
- Natural insect and water repellent making it a low-effort choice
- Dries out quickly after rain or snow
- Known for its pleasant aroma and appealing smell
- Recyclable and sustainable
- Organic and inviting look



THEMED





POLYFIBERCRETE

- Lightweight synthetic concrete sandstone textured material molded into solid play structures and site furnishings
- Patented process of cellular concrete, polymer additives, molds, sand, air bubbles, and sandblasting
- Non-abrasive climbing grip offers safety and durability
- Does not crack or shatter
- Major advantages - solid, heavy structures that are of uniform composition and color throughout

**UPC Parks**



ROPES

- Easy to maintain – quick repairs
- Creates a sense of adventure
- Good sightline and visibility for parents watching kids play
- Good exercise, activates core muscles, balance
- Challenges older kids, multi-level age range playability
- Encourages kids to be risk takers!
- Steel core makes it vandal resistant

NORNA
PLAYGROUNDS
designed for sustainable and creative play



UPC Parks



GLASS FIBER REINFORCED CONCRETE

- Lightweight, durable material that can be cast into nearly unlimited shapes, colors and textures
- Look of real wood with manufactured product
- Endless theme options
- Sustainable - uses less cement than equivalent concrete and often uses significant quantities of recycled materials



SURFACING





WOOD FIBER

- Has high impact absorbing qualities yet firm, slip resistant surface that, if properly installed, will meet accessibility guidelines
- Reduces injuries after a fall or tumble
- Very economical
- Easy to maintain
- Pure natural material means no negative health or environmental effects
- Environmentally friendly



ARTIFICIAL TURF

- Soft and fluffy underfoot
- Cleaner than wood fiber, dirt and real grass
- Never slippery, and it drains away moisture far faster than natural grass
- Tough and long lasting
- Little to no maintenance
- Always looks good, even in a drought

RUBBERIZED SURFACING



- Allows for a wide range of color options
- Economical, quick to install, saves on labor costs
- Easily adjusts for thickness variances or less than optimal landscape levels
- Never compacts or shifts over time regardless of the amount of traffic
- Accommodates foot or wheel traffic
- Being porous, the surface also quickly dries



SAND

- Economical
- Easy to install
- Provides good impact absorption
- Does not easily support microbial growth
- Endless opportunities for imaginative play
- Great tactile, sensory play
- Can make into mud for more types of sensory play



PEA GRAVEL

- Offers good cushioning for walking across the surface
- Recognized for being safe and highly shock absorbent
- Does not support the growth of microbial organisms
- Helps to improve drainage which reduces any flooding
- Doesn't create a hospitable environment for pests and won't grab the interest of any outdoor animals



PROJECTS

Stanford CCSC
Palo Alto, CA



MIRACLE
playsystems
DESIGNING PLAY

MILLER COMPANY
landscape architects

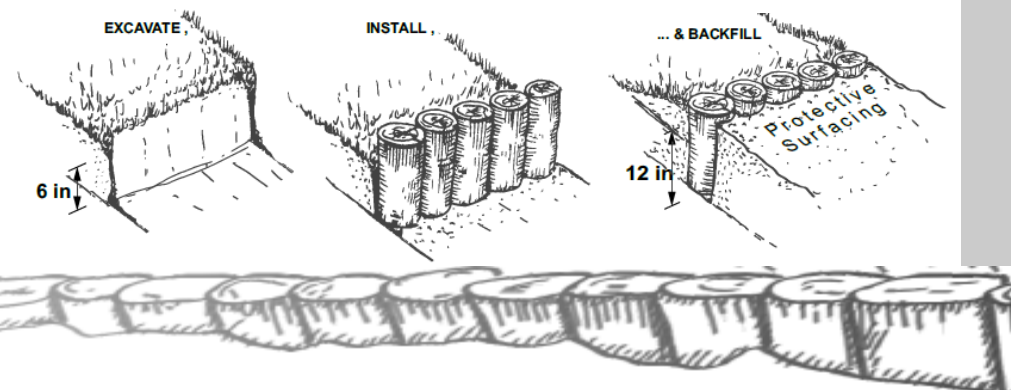


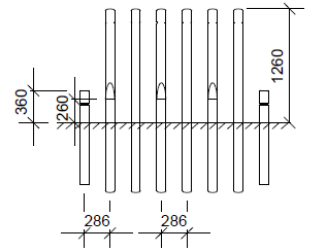
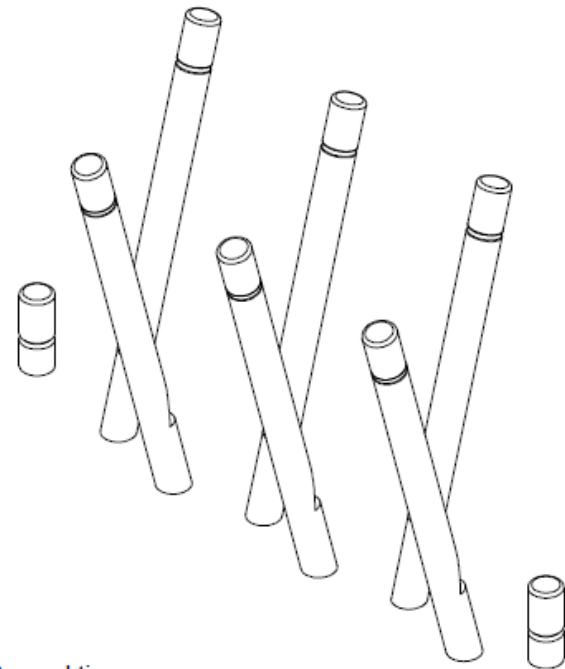
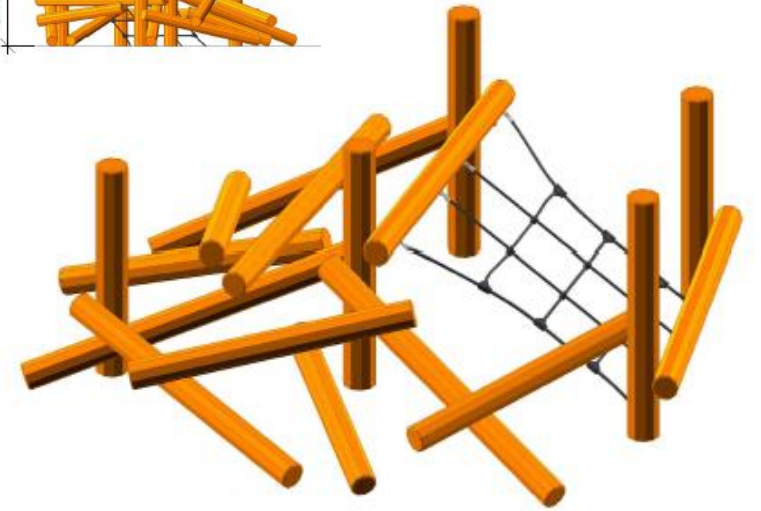
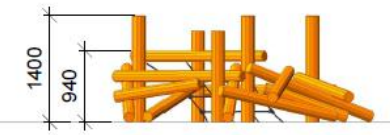
PRODUCT FEATURES

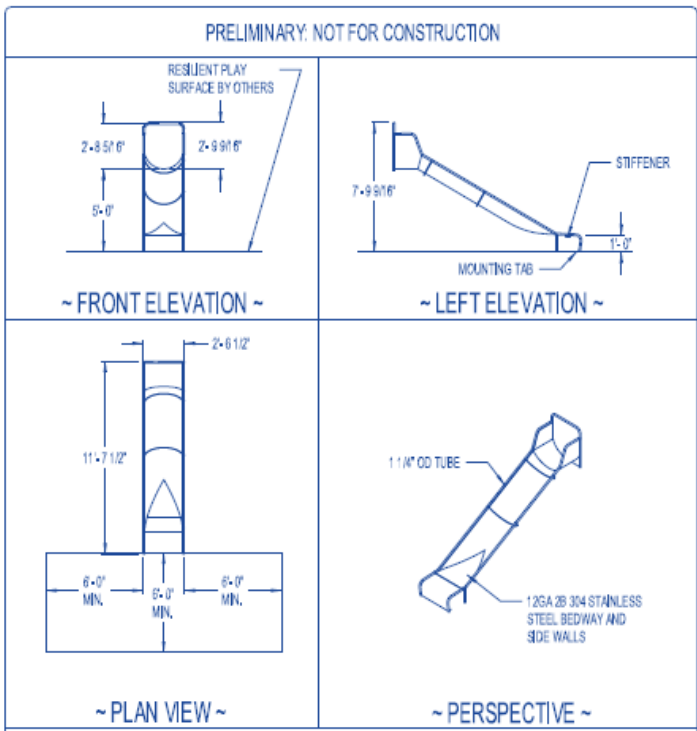
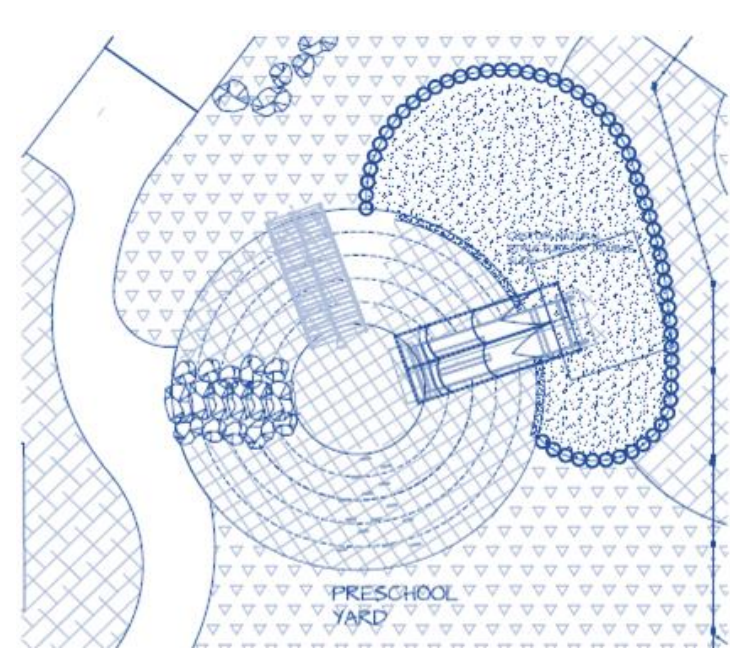
- Hand polished, stainless steel finish
- Port holes for water shutoff and drain plug
- Float valve to refill tank
- Bolted blank cover for winterization
- Customization available upon request



Natural Cedar Borders



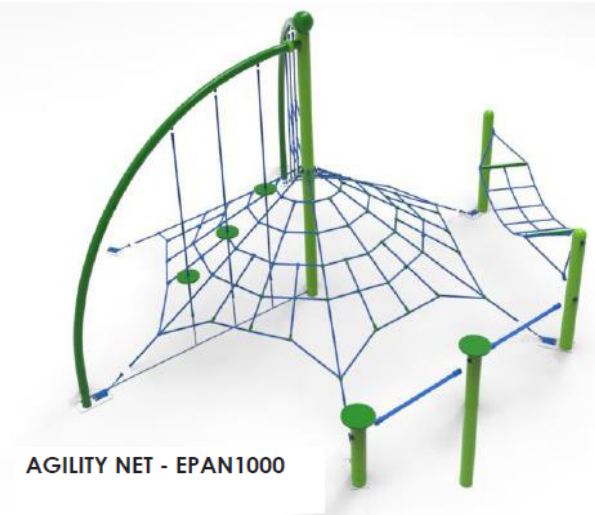




MIRACLE
playsystems
 DESIGNING PLAY



MIRACLE
playsystems
DESIGNING PLAY



AGILITY NET - EPAN1000

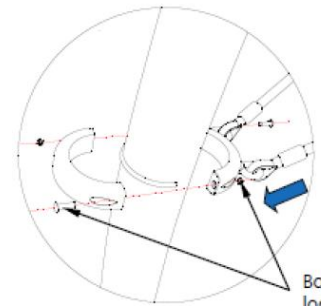


Age group : 2 - 5 years old

Capacity : 13

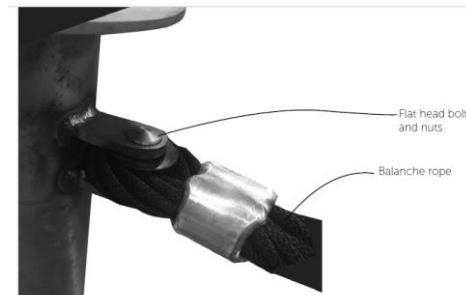
Equipment dimensions (mm) :
4 880 x 4 240 x 2 400

Minimum space required (mm) :
8 480 x 7 840



Hammock fixation

Bolt and lock nut



Flat head bolt and nuts

Balanche rope

Available Colors - Structure



Ral 9003 Ral 4003 Ral 1019 Ral 1023 Ral 4006 Ral 8024 Ral 2004



Ral 6026 Ral 7035 Ral 3000 Ral 5021 Ral 5002 Ral 6018 Black

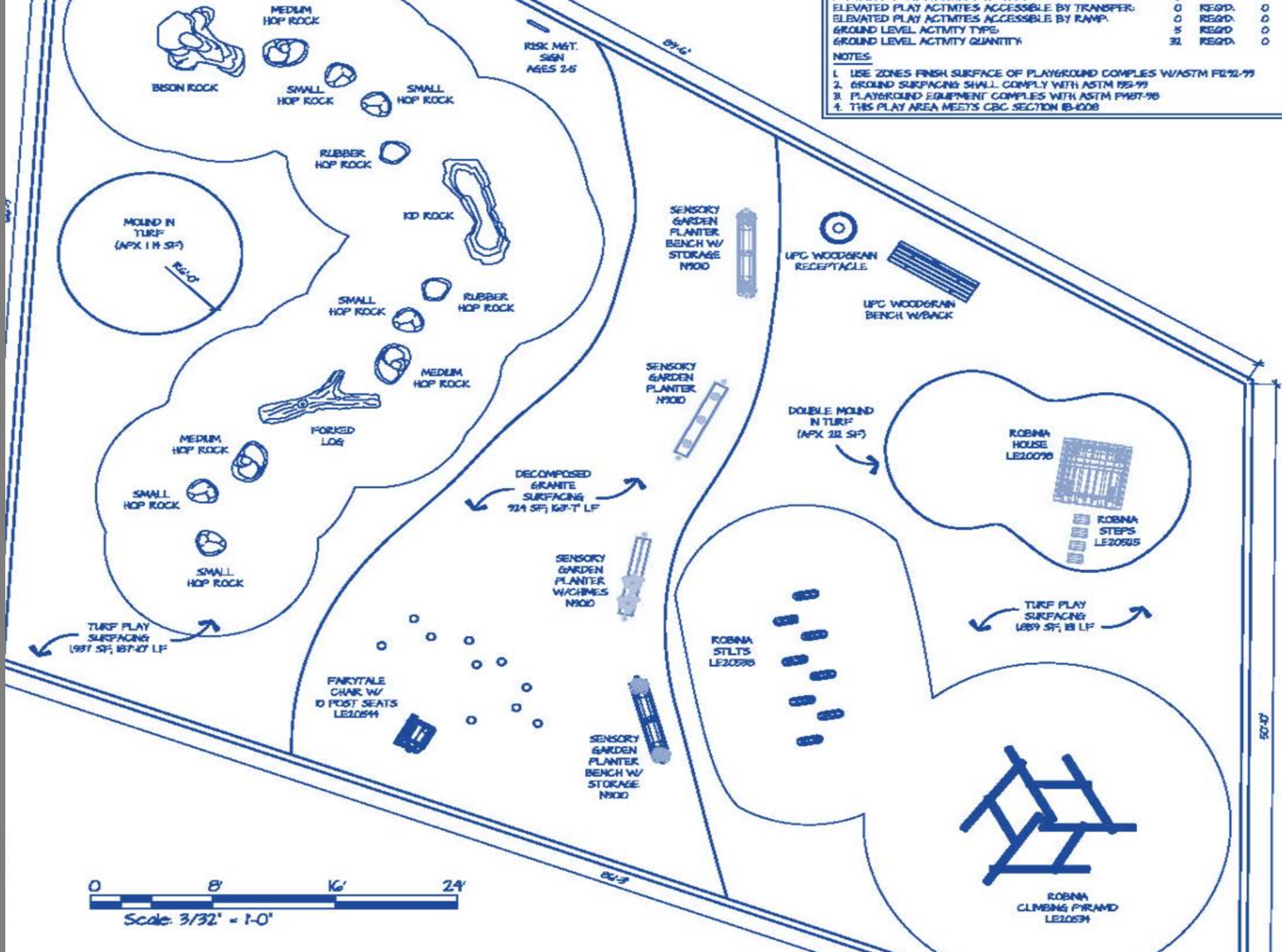


Monterey USD

Child
Development
Center

Seaside, CA





ELEVATED PLAY ACTIVITIES ACCESSIBLE BY TRANSFER:	0	REQD.	0
ELEVATED PLAY ACTIVITIES ACCESSIBLE BY RAMP:	0	REQD.	0
GROUND LEVEL ACTIVITY TYPE:	5	REQD.	0
GROUND LEVEL ACTIVITY QUANTITY:	32	REQD.	0

NOTES:

1. USE ZONES FINISH SURFACE OF PLAYGROUND COMPLEX W/ASTM F192-99
2. GROUND SURFACING SHALL COMPLY WITH ASTM F192-99
3. PLAYGROUND EQUIPMENT COMPLEX WITH ASTM F1907-98
4. THIS PLAY AREA MEETS CBC SECTION 1B-408





Vision

Vision is developed through play by sharpening a child's eye hand coordination skills.



Audition

Auditory inputs in a play environment help to support healthy sensory integration.



Somatosensory

This sense offers information about the body and the surrounding environment.



Olfaction

Smell is the most advanced sense that children have at birth. The olfactory receptors within the nose contain cells that allow for smell and send chemical messages to the brain.



Gustation

Taste is an additional way to build and expand a child's language base.

Lesser Known Senses



Proprioception

Proprioception provides awareness of the body position.



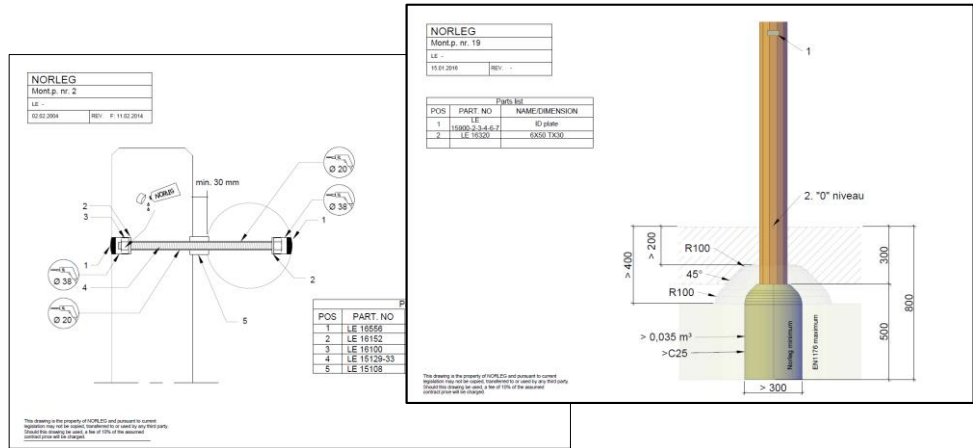
Vestibular

The vestibular sense provides spatial awareness.



MIRACLE
playsystems
 DESIGNING PLAY

Sensory Garden



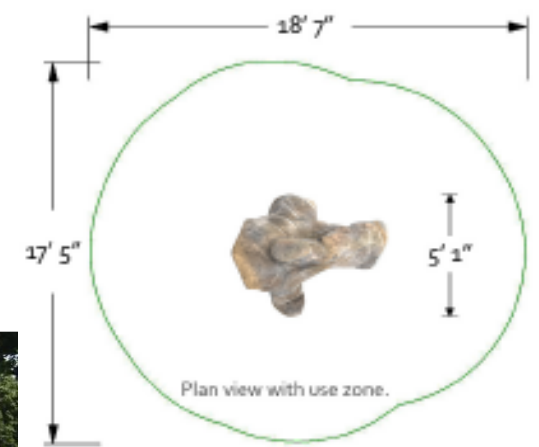
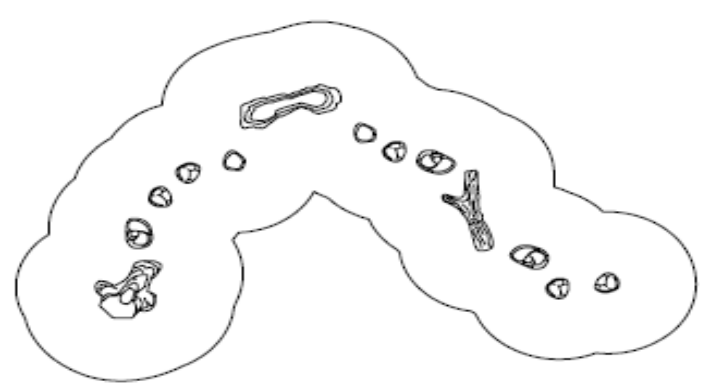
NORNA
PLAYGROUNDS
 designed for sustainable and creative play

- Robina Wood Planter Boxes
- Musical Wood Chimes
- Added Bench for Collaborative Play




MIRACLE
playsystems
 DESIGNING PLAY

Linked Play

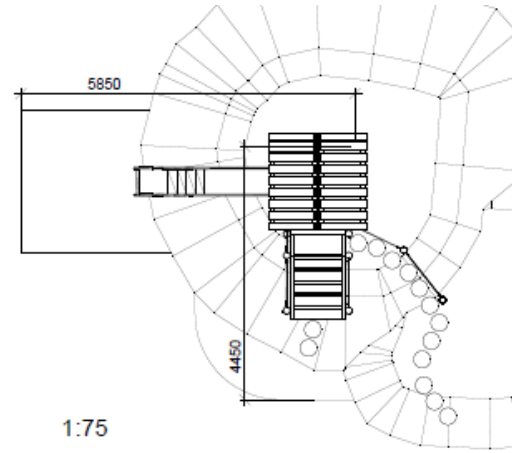
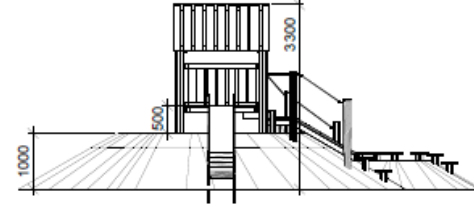
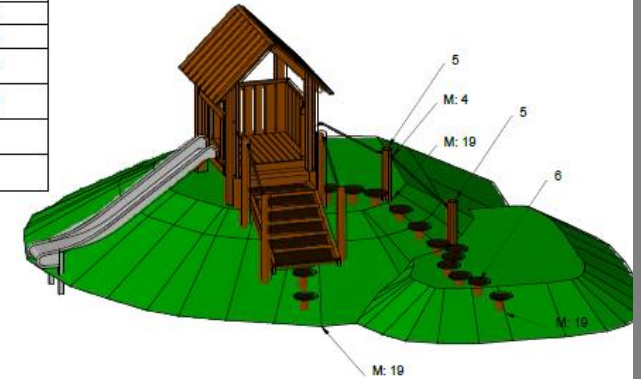


UPC Parks

Hillside Play

NORLEG - Mont.		< 500
Hus på høj		
LE 20109		> EN 1176
21.04.2010	REV. B: 29.10.2015	

Parts list		
Mrk.	QTY	Part.no
1	2	160-180-2600-z
2	2	160-180-2600-z
3	2	120-140-1200-k
4	4	120-140-2000-k
5	2	120-140-1600
6	16	LE 42504

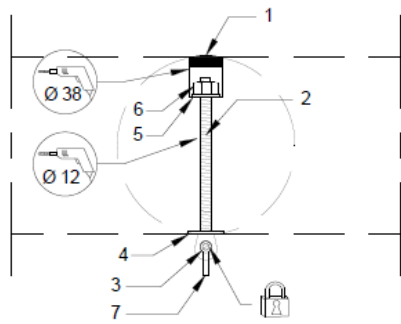
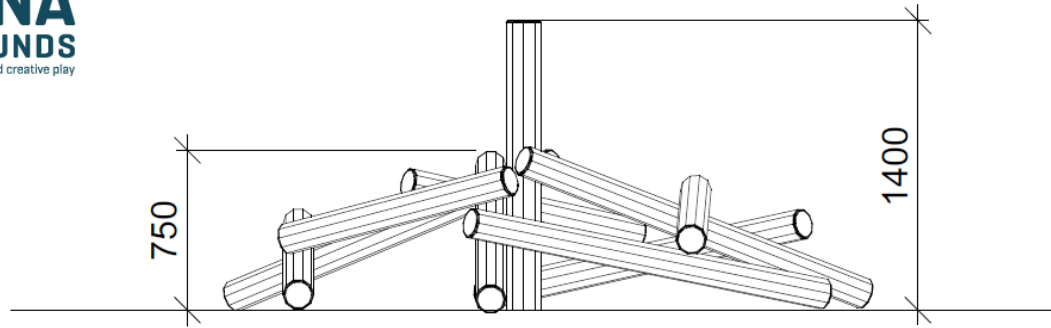


1:75

NORNA
PLAYGROUNDS
designed for sustainable and creative play



MIRACLE
playsystems
DESIGNING PLAY



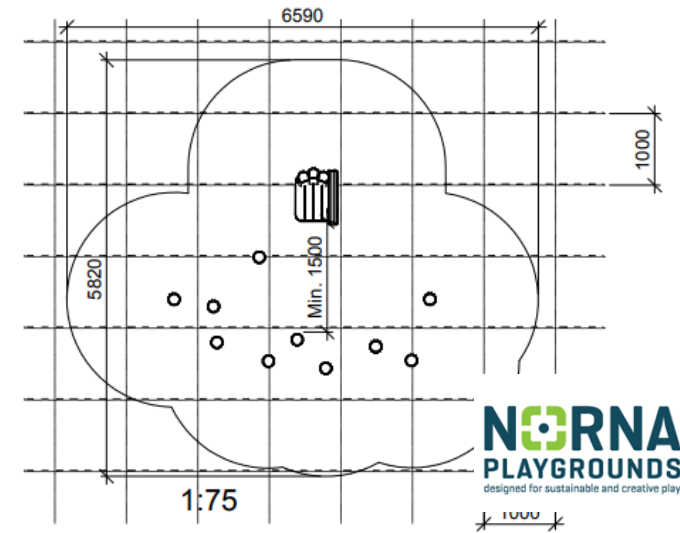
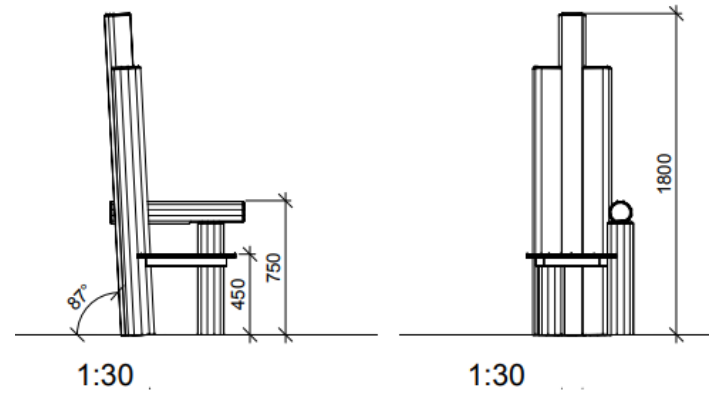
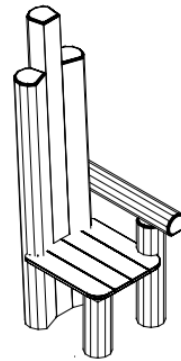
ROBINIA
CLIMBING PYRAMID
LE20534

- Robina Wood
- Motor skills and the imagination, are challenged in a playful way.





Storytelling Corner





2100 Embarcadero Suite 105 | Oakland | 800.879.7730