

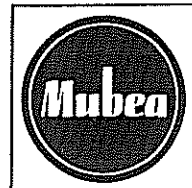
# OPERATOR'S MANUAL AND PARTS LIST

MUBEA IRONWORKER

MODEL KBL OPTIMA Execution

SIZE

SERIAL NUMBER



THESE OPERATING INSTRUCTIONS MUST BE KEPT ON THE MACHINE AT ALL TIMES. THEY MUST BE READ AND UNDERSTOOD BY EVERY PERSON BEFORE THEY OPERATE, ADJUST OR REPAIR THE MACHINE.

The correct pages respectively the correct figures of this operating instruction and spare parts list which are appropriate for your machine, have been marked.

## OPERATING INSTRUCTIONS

	Page
<input type="checkbox"/>	General 2
<input type="checkbox"/>	Transportation 3
<input type="checkbox"/>	Lubrication 4+5
<input type="checkbox"/>	Connection and Operation 6
<input type="checkbox"/>	Clutch and Engagement 7-10
<input type="checkbox"/>	The Plate Shear 11-14
<input type="checkbox"/>	The Coper-Notcher 15-18
<input type="checkbox"/>	The Bar Shear 19-21
<input type="checkbox"/>	The Section Shear 23-25
<input type="checkbox"/>	Standard Knives 25-30
<input type="checkbox"/>	Special Knives 31-32
<input type="checkbox"/>	The Punch 33-43
<input type="checkbox"/>	Gear Removal 45-46
<input type="checkbox"/>	Disassembling Machine 46-51
<input type="checkbox"/>	Punch Housing Removal 51-55
<input type="checkbox"/>	Lubrication (Tecalemite)
<input type="checkbox"/>	Foundation Drawing
<input type="checkbox"/>	Tool kit survey

## PARTS LIST

Figure	
<input type="checkbox"/>	A 10/1 Engagement Assembly, Section Shear
<input type="checkbox"/>	A 11/1 Engagement Assembly, Punch
<input type="checkbox"/>	A 12/1 Solenoid Engagement, Plate Shear
<input type="checkbox"/>	A 13/1 Solenoid Engagement, Section Shear
<input type="checkbox"/>	A 14/1 Solenoid Engagement, Punch
<input type="checkbox"/>	A 15/1 Foot Engagement for Plate- or Flat Steel Shear
<input type="checkbox"/>	A 16/1 Foot Engagement for Section Steel Shear
<input type="checkbox"/>	A 17/1 Foot Engagement for Punch
<input type="checkbox"/>	A 18/1 Plate Shear and Bar Shear Blades
<input type="checkbox"/>	A 19/1 Coper-Notcher Assembly
<input type="checkbox"/>	A 20/1 Section Knives, PMA
<input type="checkbox"/>	A 21/1 Section Knives, PMB
<input type="checkbox"/>	A 22/1 Section Shear Knives Assembly
<input type="checkbox"/>	A 23/1 Punch Tool with Stripper
<input type="checkbox"/>	A 24/1 US Punch and Stripper Assembly
<input type="checkbox"/>	A 25/1 Section Hold-Down with Mitre Guide
<input type="checkbox"/>	A 26/1 Automatic Hold-Down with Mitre Guide, Section Shear Size 45-20 / Size 50-4
<input type="checkbox"/>	A 27/1 Automatic Hold-Down with Mitre Guide, Section Shear Size 65-30 thru 130-70 / Size 71-5 thru 143-8
<input type="checkbox"/>	A 28/1 Hold-Down, Plate and Bar Shear
<input type="checkbox"/>	A 29/1 Electrical Equipment Execution "F", Size 45-20 thru 80-40
<input type="checkbox"/>	A 30/1 Electrical Equipment Execution "B", Size 45-20 thru 80-40
<input type="checkbox"/>	A 31/1 US Electrical Equipment, Size 50-4 thru 143-8
<input type="checkbox"/>	A 32/1 Electrical Equipment Execution "F", Size 100-50 thru 130-70
<input type="checkbox"/>	A 33/1 Electrical Equipment Execution "B", Size 100-50 thru 130-70
<input type="checkbox"/>	A 34/1 Guards, Gears and Flywheel
<input type="checkbox"/>	A 34/1 US Guards, Gears and Flywheel
<input type="checkbox"/>	A 35/1 Cover Lids for Section Steel Shears, Bar Steel Shears, Plate- or Flat Steel Shears and Coper-Notcher
<input type="checkbox"/>	A 36/1 US Guards, Plate Shear, Section Shear, Bar Shear and Coper-Notcher
<input type="checkbox"/>	A 37/1 Support and Mitring Table, Plate Shear

## PARTS LIST

Figure	
<input type="checkbox"/>	A 1/1 H Frame Assembly
<input type="checkbox"/>	A 1/1 Z Frame Assembly
<input type="checkbox"/>	A 1/1 Z US Frame Assembly
<input type="checkbox"/>	A 2/1 Flywheel Assembly
<input type="checkbox"/>	A 3/1 H Eccentric Shaft Assembly, Plate Shear
<input type="checkbox"/>	A 3/1 Z Eccentric Shaft Assembly, Plate Shear
<input type="checkbox"/>	A 4/1 H Eccentric Shaft Assembly, Section Shear
<input type="checkbox"/>	A 4/1 Z Eccentric Shaft Assembly, Section Shear
<input type="checkbox"/>	A 5/1 H Eccentric Shaft Assembly, Punch
<input type="checkbox"/>	A 5/1 Z Eccentric Shaft Assembly, Punch
<input type="checkbox"/>	A 6/1 H Slide Assembly, Plate Shear
<input type="checkbox"/>	A 6/1 Z Slide Assembly, Plate Shear
<input type="checkbox"/>	A 7/1 H Slide Assembly, Section Shear
<input type="checkbox"/>	A 7/1 Z Slide Assembly, Section Shear
<input type="checkbox"/>	A 8/1 H Slide Assembly, Punch
<input type="checkbox"/>	A 8/1 Z Slide Assembly, Punch
<input type="checkbox"/>	A 9/1 Engagement Assembly, Plate Shear



**MUBEA-TECALEMIT**

**CENTRALIZED OIL LUBRICATION**

**›EXACTOLUB‹ with pump ›SUPRA‹**

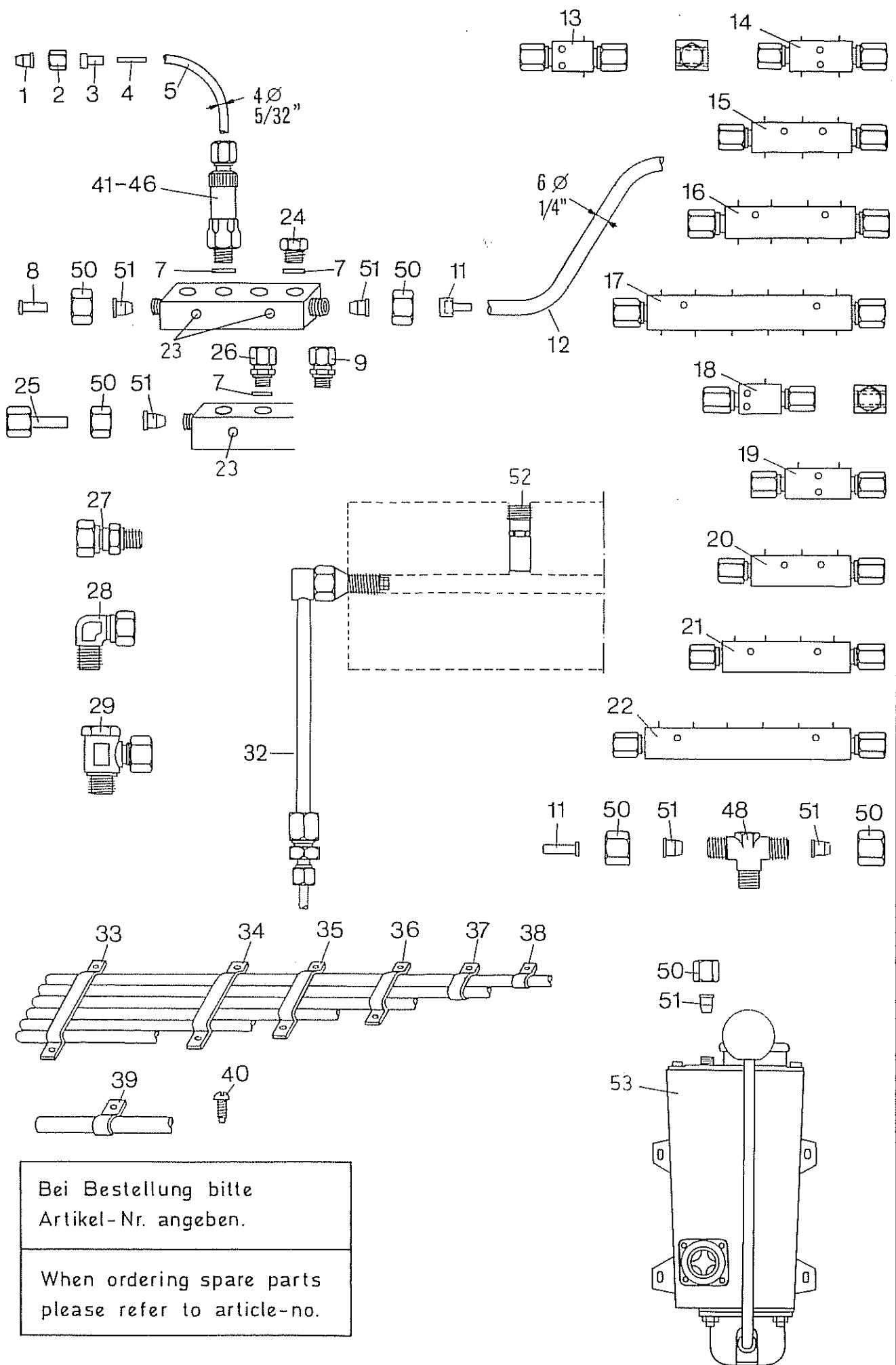
with relief- and airstop valves

high pressure system – piston-type metering

**hand operated: ref. No. 1.401102.1**

**foot operated: ref. No. 1.401202.1**

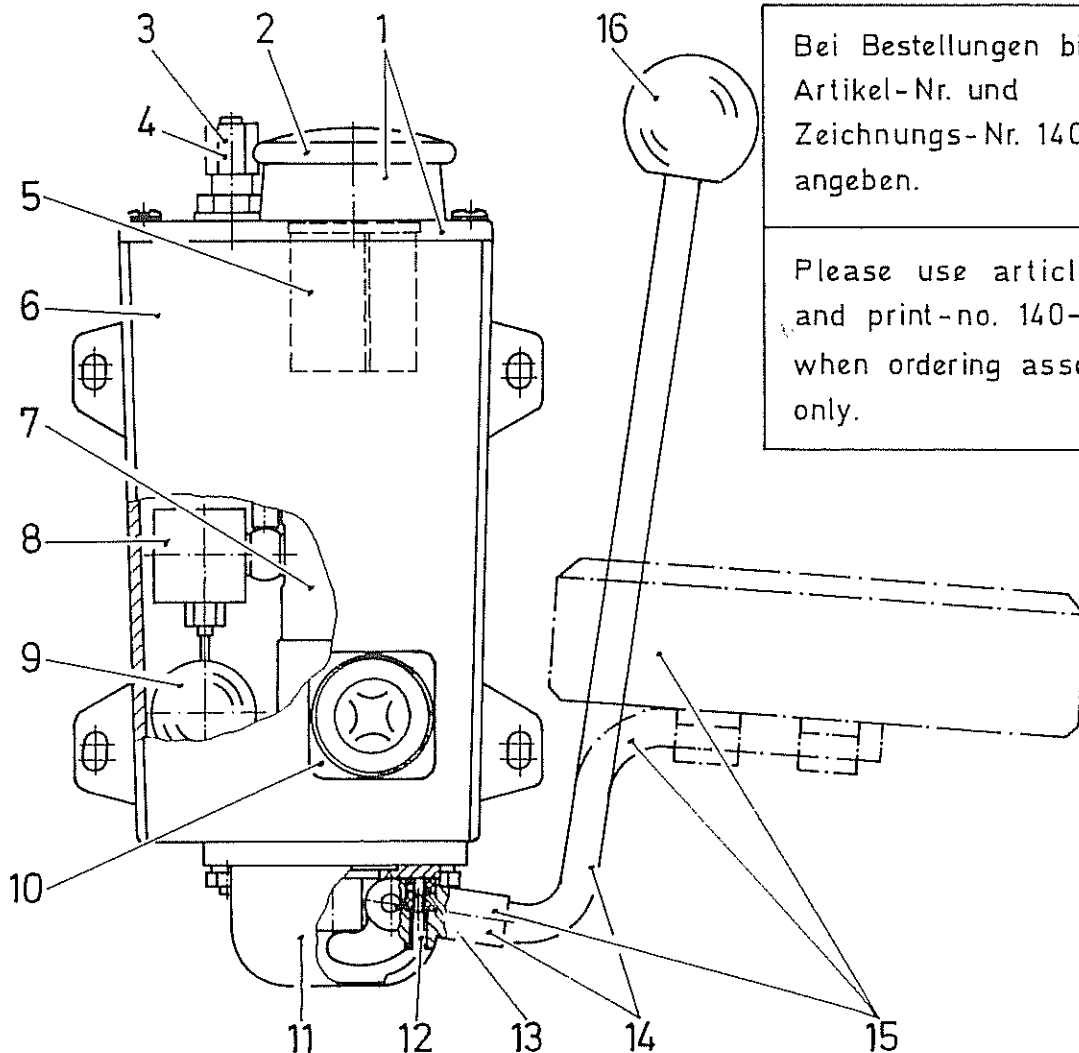
Pos. Item	Benennung:	Nomenclature:	Artikel-Nr. Article-No.
1	Schneidring	Cutting ring	811 100 058
2	Überwurfmutter	Capnut	811 100 059
3	Einsteckhülse	Sleeve	811 100 060
4	Kapillarstück	Insert	811 100 061
5	Nylon-Rohr 4/2 biegsam	Nylon tubing 4 mm (5/32")	811 100 062
7	Dichtring	Washer	811 100 063
8	Verschlussstopfen	Closure plug	811 100 064
9	Gerade Einschraub- Verschraubung	Straight connector	811 100 065
11	Einsteckhülse	Sleeve	811 100 067
12	Nylon-Rohr 6/4 halbstar	Nylon tubing 6 mm (1/4")	811 100 068
13	Verteiler	Manifold	811 100 069
14	Verteiler	Manifold	811 100 070
15	Verteiler	Manifold	811 100 071
16	Verteiler	Manifold	811 100 072
17	Verteiler	Manifold	811 100 073
18	Verteiler	Manifold	811 100 074
19	Verteiler	Manifold	811 100 075
20	Verteiler	Manifold	811 100 076
21	Verteiler	Manifold	811 100 077
22	Verteiler	Manifold	811 100 078
23	Gewinde-Schneid- schraube	Slotted self cutting screw	907 513 08
24	Gewindestopfen	Screw plug	811 100 080
25	Anschlußstutzen	Adapter	811 100 081
26	Gerade Einschraub- Verschraubung	Straight connector	811 100 082
27	Gerade Einschraub- Verschraubung	Straight connector	811 100 005
28	Winkel-Einschraub- Verschraubung	Elbow connector	811 100 083
29	Schwenkverschraubung	Swivel connector	811 100 084
32	Drehanschluß	Rotary fitting	811 100 085
33	Befestigungsschelle	Clip	972 573 16
34	Befestigungsschelle	Clip	972 573 14
35	Befestigungsschelle	Clip	972 573 12
36	Befestigungsschelle	Clip	972 573 10
37	Befestigungsschelle	Clip	972 571 13
38	Befestigungsschelle	Clip	972 571 11
39	Befestigungsschelle	Clip	972 571 21
40	Hammerschraube	Drive screw	810 600 012
41	Zumeßventil 30 mm <sup>3</sup>	Meter valve 30 mm <sup>3</sup>	811 100 086
42	Zumeßventil 50 mm <sup>3</sup>	Meter valve 50 mm <sup>3</sup>	811 100 087
43	Zumeßventil 100 mm <sup>3</sup>	Meter valve 100 mm <sup>3</sup>	811 100 088
44	Zumeßventil 200 mm <sup>3</sup>	Meter valve 200 mm <sup>3</sup>	811 100 089
45	Zumeßventil 300 mm <sup>3</sup>	Meter valve 300 mm <sup>3</sup>	811 100 090
46	Zumeßventil 500 mm <sup>3</sup>	Meter valve 500 mm <sup>3</sup>	811 100 091
48	T-Verschraubung	Tee connector	811 100 092
50	Überwurfmutter	Capnut	811 100 012
51	Schneidring	Cutting ring	811 100 013
52	Einschraub-Zumeßventil	Insert meter valve	811 100 066
53	Pumpe kpl. (Handpumpe)	Pump compl. (Hand op.)	811 100 095
	Pumpe kpl. (Fußpumpe)	Pump compl. (Foot op.)	811 100 094



Bei Bestellung bitte  
Artikel-Nr. angeben.

---

When ordering spare parts  
please refer to article-no.

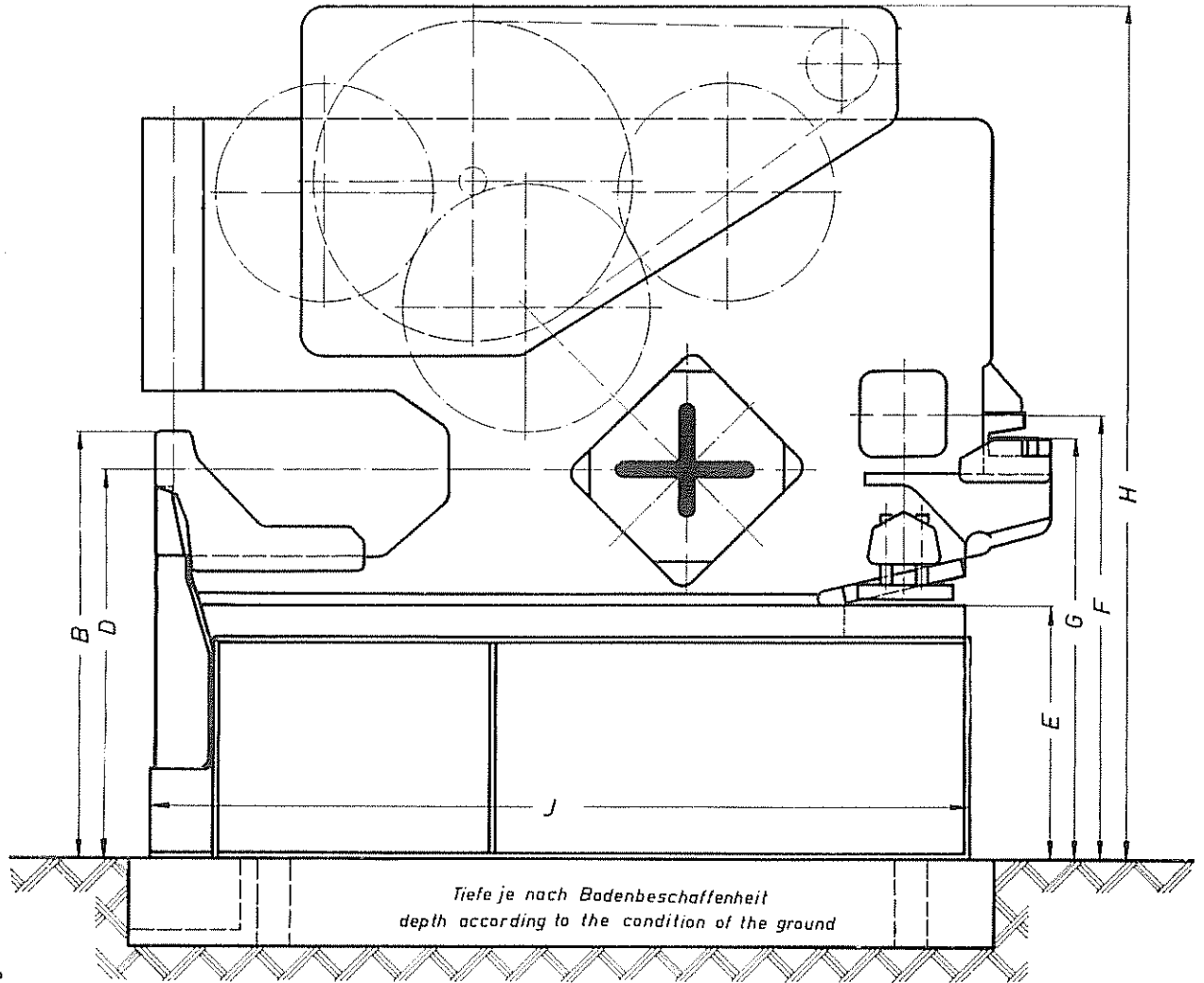


Bei Bestellungen bitte  
Artikel-Nr. und  
Zeichnungs-Nr. 140-44.1E  
angeben.

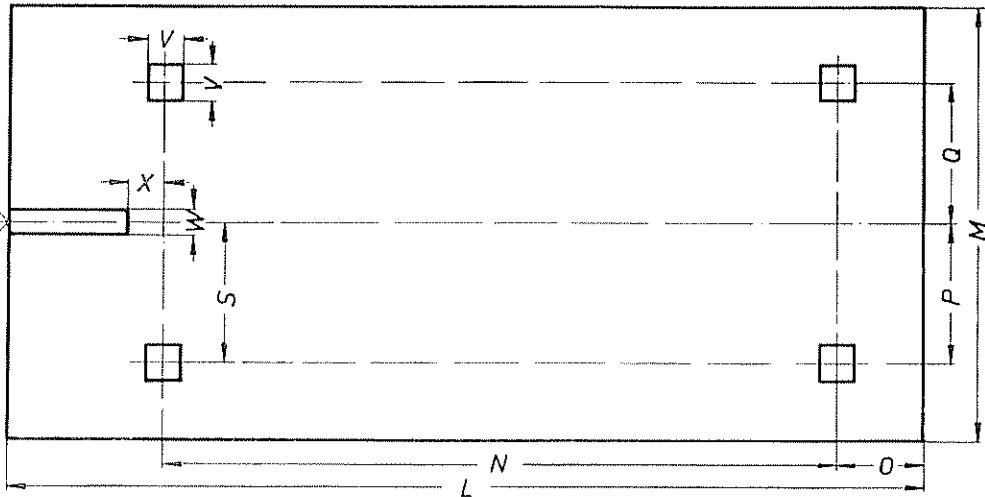
Please use article-no.  
and print-no. 140-44.1E  
when ordering assemblies  
only.

#### SPARE PARTS AND ASSEMBLIES

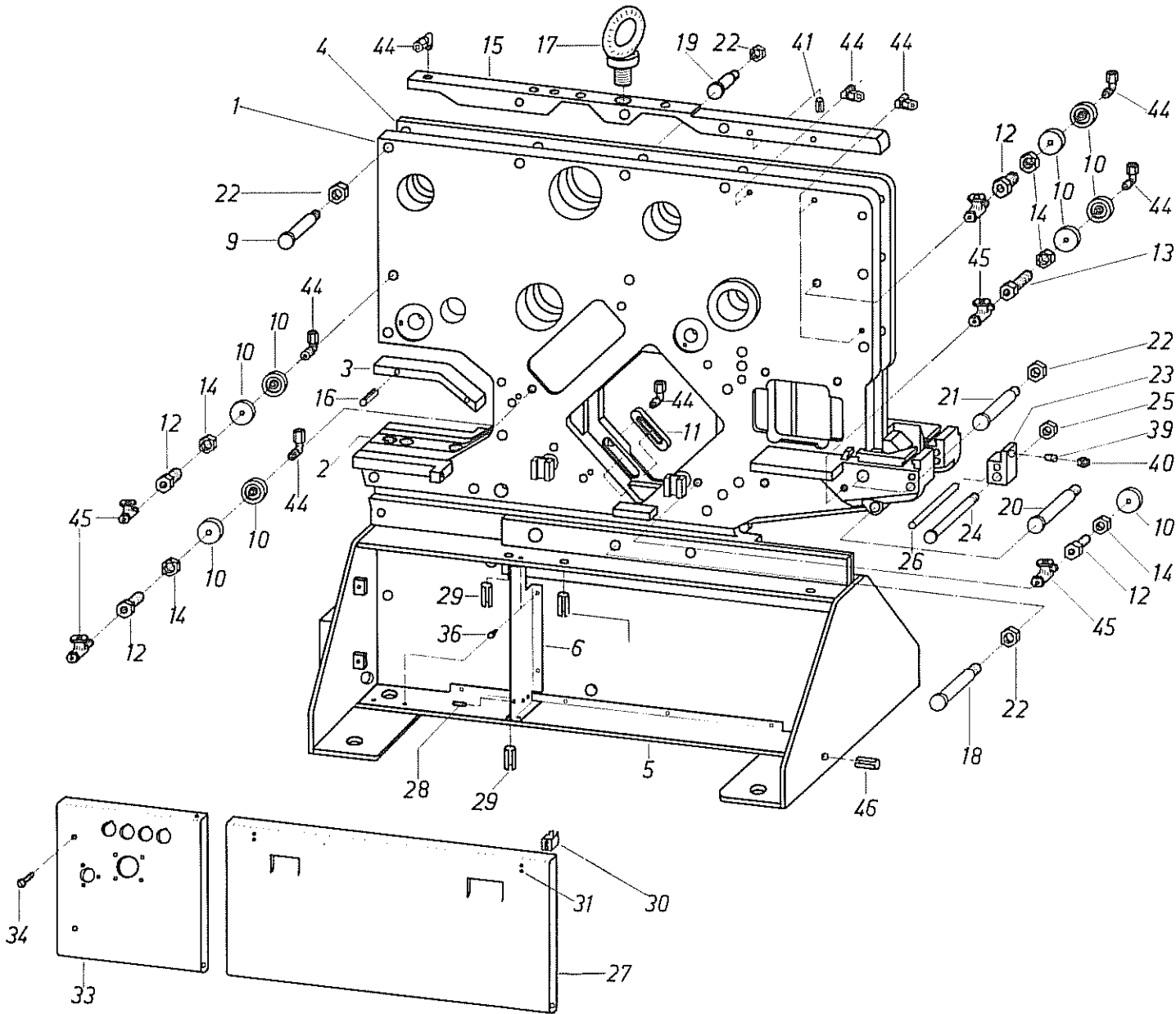
Pos. Item	Benennung:	Nomenclature:	Artikel-Nr. ; Article-No. :
1	Behälterdeckel	Reservoir cover	811 100 033
2	Verschlusskappe	Reservoir cap	811 100 011
3	Überwurfmutter	Capnut	811 100 012
4	Schneidring	Cutting ring	811 100 013
5	Sieb	Strainer	811 100 032
6	Behälter	Reservoir assy.	811 100 017
7	Pumpe	Pumping unit	811 100 053
8	Luftsperr	Air lock assy.	811 100 055
9	Schwimmer vollständig	Float assy.	811 100 057
10	Ölstandsauge	Oil level gauge and gasket	811 100 020
11	Abdeckplatte	Bottom cap	811 100 024
12	Stellschraube	Set screw	811 100 026
13	Stopfen	Plug	811 100 027
14	Betätigungsanschluß (Handpumpe)	Flange and lever assy. (hand op.)	811 100 052
15	Betätigungsanschluß (Fußpumpe)	Flange and lever assy. (foot op.)	811 100 110
16	Kugelknopf	Ball knob	900 319 71



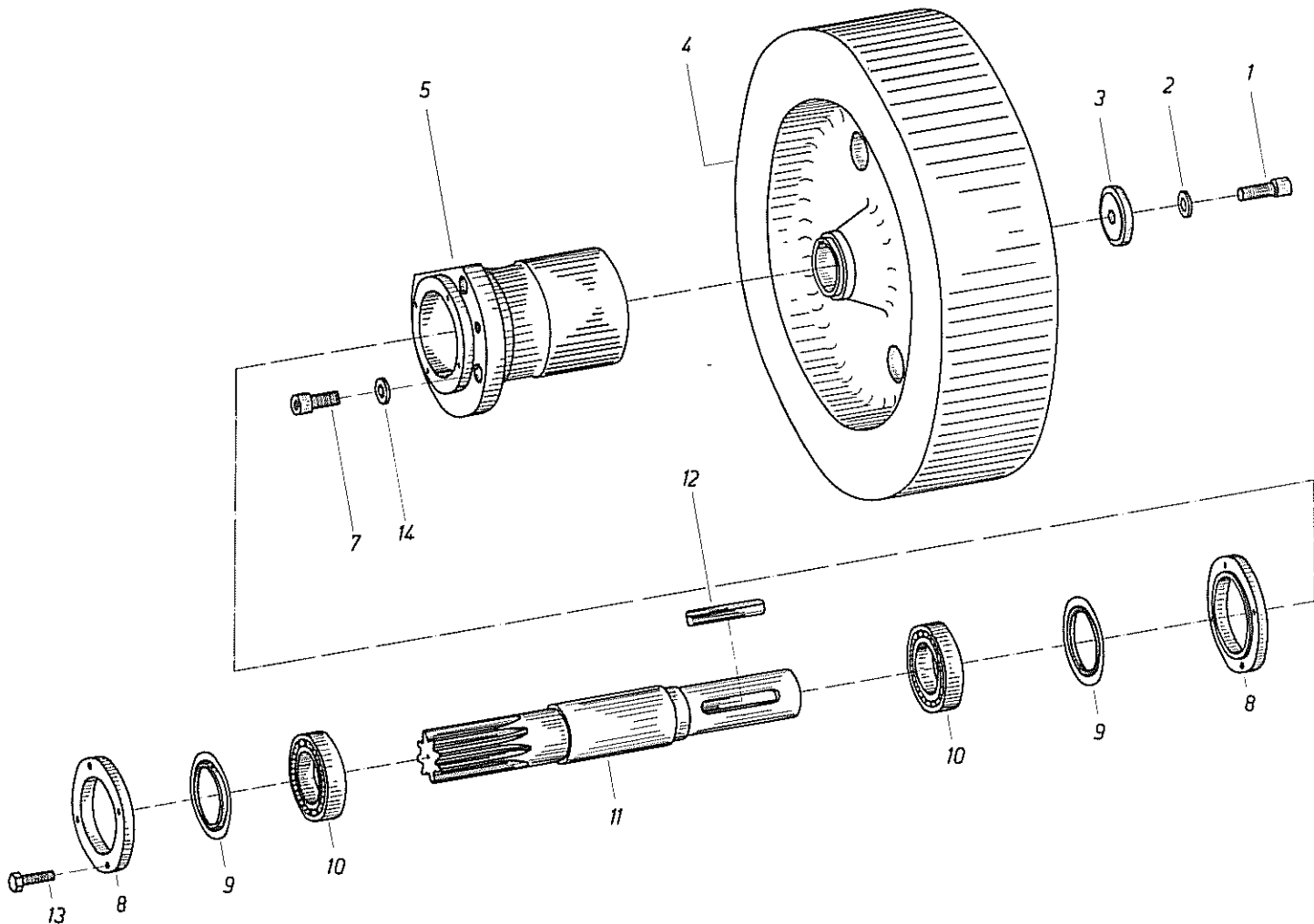
Channel for feeding cable Kanal für Kabeleinführung  
direction to your choice Richtung beliebig



KBL	A	B	C	D	E	F	G	H	J	K	L	M	N	O	P	Q	R	S	T	U	V	W	X
45-20	mm	915		913	687	975	990	1709	1145		1260	700	910	130	250	250		230			70	60	10
50-4	inch	36 <sup>1</sup> / <sub>4</sub>		35 <sup>15</sup> / <sub>16</sub>	27 <sup>3</sup> / <sub>16</sub>	38 <sup>3</sup> / <sub>16</sub>	38 <sup>9</sup> / <sub>32</sub>	67 <sup>5</sup> / <sub>16</sub>	45 <sup>1</sup> / <sub>16</sub>		49 <sup>5</sup> / <sub>16</sub>	27 <sup>9</sup> / <sub>16</sub>	35 <sup>13</sup> / <sub>16</sub>	5 <sup>1</sup> / <sub>16</sub>	9 <sup>27</sup> / <sub>32</sub>	9 <sup>27</sup> / <sub>32</sub>		9 <sup>1</sup> / <sub>16</sub>			2 <sup>3</sup> / <sub>4</sub>	2 <sup>23</sup> / <sub>64</sub>	<sup>3</sup> / <sub>16</sub>
65-30	mm	928		955	655	1007	1007	1876	1517		1617	845	1165	187	297,5	297,5		297,5			40	60	20
71-5	inch	36 <sup>1</sup> / <sub>2</sub>		37 <sup>19</sup> / <sub>32</sub>	25 <sup>25</sup> / <sub>32</sub>	39 <sup>4</sup> / <sub>16</sub>	39 <sup>11</sup> / <sub>64</sub>	73 <sup>5</sup> / <sub>16</sub>	59 <sup>23</sup> / <sub>32</sub>		63 <sup>13</sup> / <sub>16</sub>	33 <sup>1</sup> / <sub>16</sub>	45 <sup>5</sup> / <sub>16</sub>	7 <sup>23</sup> / <sub>64</sub>	11 <sup>5</sup> / <sub>64</sub>	11 <sup>5</sup> / <sub>64</sub>		11 <sup>5</sup> / <sub>64</sub>			1 <sup>9</sup> / <sub>16</sub>	2 <sup>23</sup> / <sub>64</sub>	<sup>25</sup> / <sub>32</sub>
80-40	mm	938		928	625	1050	995	1966	1710		1810	920	1341	170	310	310		300			70	60	20
88-6	inch	36 <sup>15</sup> / <sub>16</sub>		36 <sup>1</sup> / <sub>2</sub>	24 <sup>9</sup> / <sub>16</sub>	41 <sup>1</sup> / <sub>16</sub>	39 <sup>1</sup> / <sub>16</sub>	77 <sup>13</sup> / <sub>32</sub>	67 <sup>21</sup> / <sub>64</sub>		71 <sup>1</sup> / <sub>64</sub>	36 <sup>7</sup> / <sub>32</sub>	52 <sup>5</sup> / <sub>16</sub>	6 <sup>1</sup> / <sub>16</sub>	12 <sup>13</sup> / <sub>64</sub>	12 <sup>13</sup> / <sub>64</sub>		11 <sup>13</sup> / <sub>16</sub>			2 <sup>3</sup> / <sub>4</sub>	2 <sup>23</sup> / <sub>64</sub>	<sup>25</sup> / <sub>32</sub>
100-50	mm	995		956	647	1085	1059	2140	1870		1970	980	1472	180	340	340		350			70	60	20
110-7	inch	39 <sup>1</sup> / <sub>16</sub>		37 <sup>4</sup> / <sub>16</sub>	25 <sup>15</sup> / <sub>32</sub>	42 <sup>1</sup> / <sub>16</sub>	41 <sup>1</sup> / <sub>16</sub>	84 <sup>19</sup> / <sub>64</sub>	73 <sup>3</sup> / <sub>4</sub>		77 <sup>9</sup> / <sub>16</sub>	38 <sup>19</sup> / <sub>32</sub>	57 <sup>27</sup> / <sub>32</sub>	7 <sup>3</sup> / <sub>32</sub>	13 <sup>3</sup> / <sub>16</sub>	13 <sup>3</sup> / <sub>16</sub>		13 <sup>29</sup> / <sub>32</sub>			2 <sup>3</sup> / <sub>4</sub>	2 <sup>23</sup> / <sub>64</sub>	<sup>25</sup> / <sub>32</sub>
130-70	mm	1118		1028	646	1188	1128	2510	2309		2410	1100	1826	215	375	375		383			70	60	50
143-8	inch	44		40 <sup>1</sup> / <sub>2</sub>	25 <sup>3</sup> / <sub>16</sub>	46 <sup>13</sup> / <sub>16</sub>	44 <sup>1</sup> / <sub>16</sub>	99	91		95	43 <sup>5</sup> / <sub>16</sub>	72	8 <sup>19</sup> / <sub>32</sub>	14 <sup>3</sup> / <sub>4</sub>	14 <sup>3</sup> / <sub>4</sub>		15 <sup>3</sup> / <sub>32</sub>			2 <sup>3</sup> / <sub>4</sub>	2 <sup>23</sup> / <sub>64</sub>	2



Pos. Item	Artikel-Nr. Article-No.	Stück./ Masch. Quantity required	Benennung	Nomenclature	Pos. Item	Artikel-Nr. Article-No.	Stück./ Masch. Quantity required	Benennung	Nomenclature
1	Z137A-01.00	1	Körperplatte kpl.	Machine frame, front side	23	Z137A-03.05	1	Zwischenstück	Spacer
2	Z137A-01.02	1	Ausladeverstärkung	Spacer, lower	24	Z137-03.20	1	Paßbolzen	Frame bolt
3	Z137A-01.03	1	Anschlußstück	Spacer, upper	25	90093631	1	Sechskantmutter	Hex. nut
4	Z137A-02.00	1	Deckplatte kpl.	Cover plate	26	90060777	1	Zylinderstift	Dowel pin
5	Z137A-03A.01	1	Blechkasten	Base plate	27	Z137A-03A.10	1	Deckel f. Werkzeugkasten	Tool compartment door
6	Z137A-03.02	1	Stützblech	Support plate	28	Z133A-03A.11	1	Scharnierbolzen	Hinge bolt
10	Z137-03.38	17	Führungsscheibe	Gib	29	90148142	2	Spannhülse	Tension pin
11	Z133-03.15	2	Führungsstück	Gib	30	Z133-03.39	2	Klemmfeder	Clamp
12	Z137-03.12	8	Druckschraube	Gib adjusting screw	31	90065033	4	Halbrundniet	Rivet
13	Z137-03.13	1	Druckschraube	Gib adjusting screw	32	90148160	2	Spannhülse	Tension pin
14	90093641	9	Sechskantmutter	Hex. nut	33	Z133A-03.21	1	Deckel f. Elektrik	Electric compartment door
15	Z137A-03.04	1	Zwischenstück oben	Spacer top	34	90096335	2	Senkschraube	Countersunk screw
16	90148137	16	Spannhülse	Tension pin	36	81060013	13	Hammerschraube	Drive screw
17	Z133-03.22	1	Aufhängevorrichtung	Lifting eye bolt	39	90091364	1	Gewindestift	Socket set screw
18	Z137A-03.15	1	Paßbolzen	Frame bolt	40	90093625	1	Sechskantmutter	Hex. nut
19	Z137A-03.16	13	Paßbolzen	Frame bolt	41	90148121	2	Spannhülse	Tension pin
20	Z137A-03.17	1	Paßbolzen	Frame bolt	44	811100083	37	Winkel-Einschraubver.	Elbow connector
21	Z137A-03.18	1	Paßbolzen	Frame bolt	45	811100084	11	Schwenkverschraubung	Swivel connector
22	90093641	20	Sechskantmutter	Hex. nut	46	90148142	1	Spannhülse	Tension pin



Pos. Item	Artikel-Nr. Article-No.	Stück./ Masch. Quantity required	Benennung	Nomenclature	Pos. Item	Artikel-Nr. Article-No.	Stück./ Masch. Quantity required	Benennung	Nomenclature
1	Z137A-11.00	1	Schwungradwelle kpl.	Flywheel compl.	8	Z137-11.02	2	Lagerdeckel	Bearing cover
2	900912352	1	Zylinderschraube	Socket head screw	9	810600010	2	Nilos-Ring	Bearing seal
3	90012531	1	Scheibe	Washer	10	90062548	2	Ring-Rillfenlager	Ball bearing
4	Z137-11.05	1	Deckscheibe	Cap	11	Z137-11.03	1	Schwungradwelle	Flywheel pinion shaft
5	Z137A-11.01	1	Schwungrad	Flywheel	12	90688566	1	Paßfeder	Key
7	Z137-11.01	1	Lagergehäuse	Bearing housing	13	900933257	8	Sechskantschraube	Hex. cap screw
7	900912351P	4	Zylinderschraube	Socket head screw, special	14	810600003	4	DUBO-Sicherung	Nylon washer

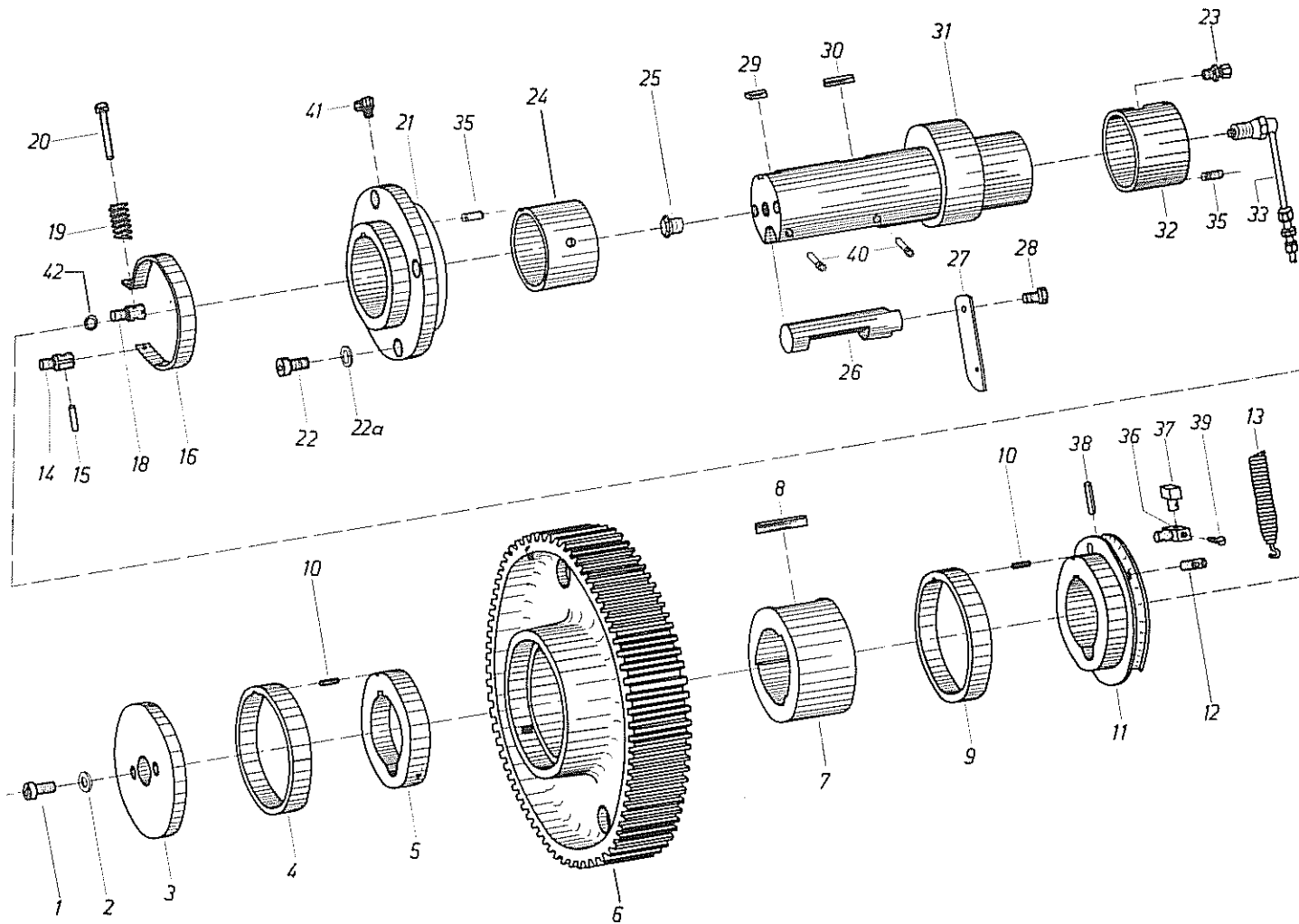


Exzenterwelle zur Blech- oder  
Flachstahlschere

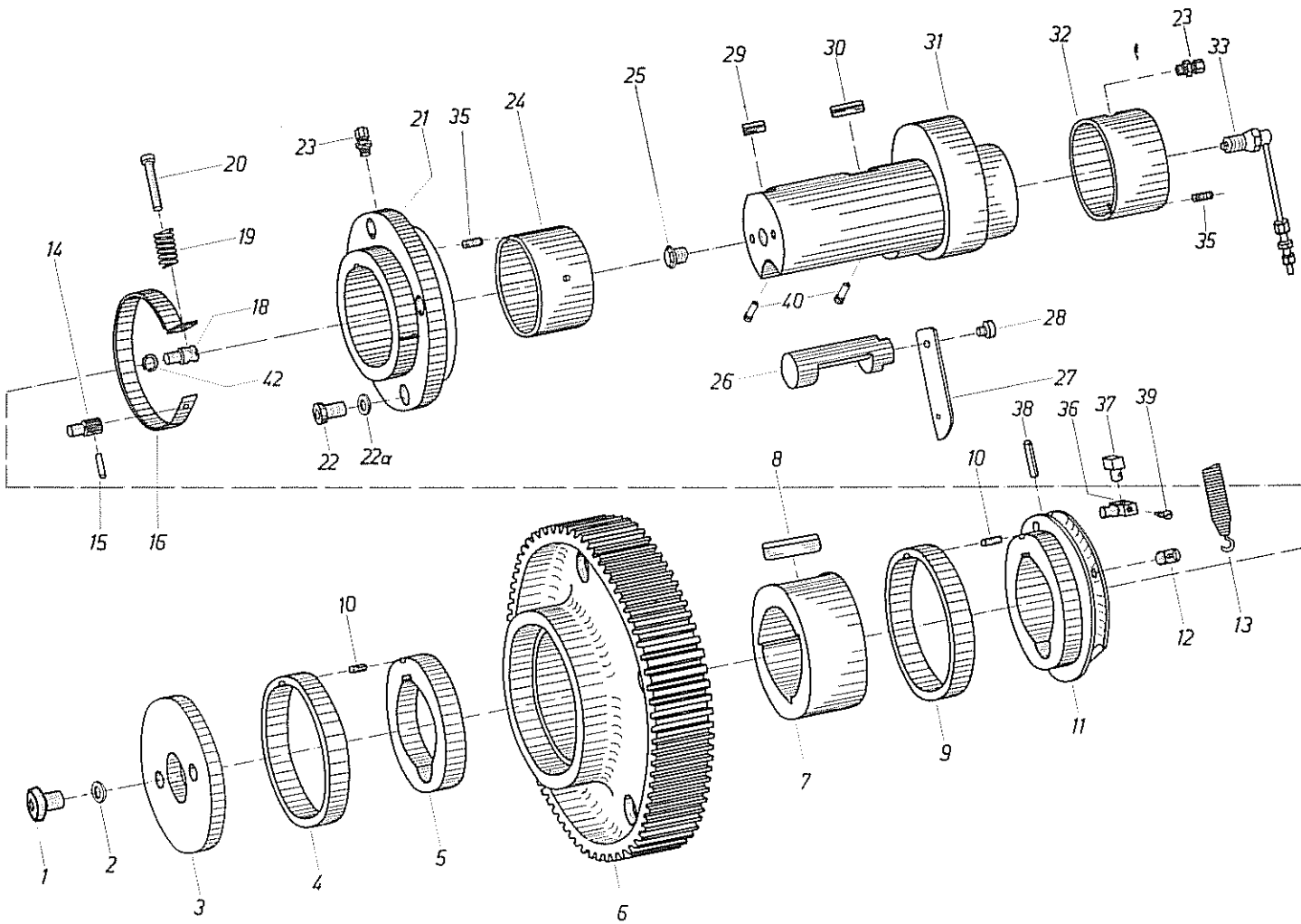
Eccentric Shaft Assembly, Plate Shear

Fig. A 3/1 Z

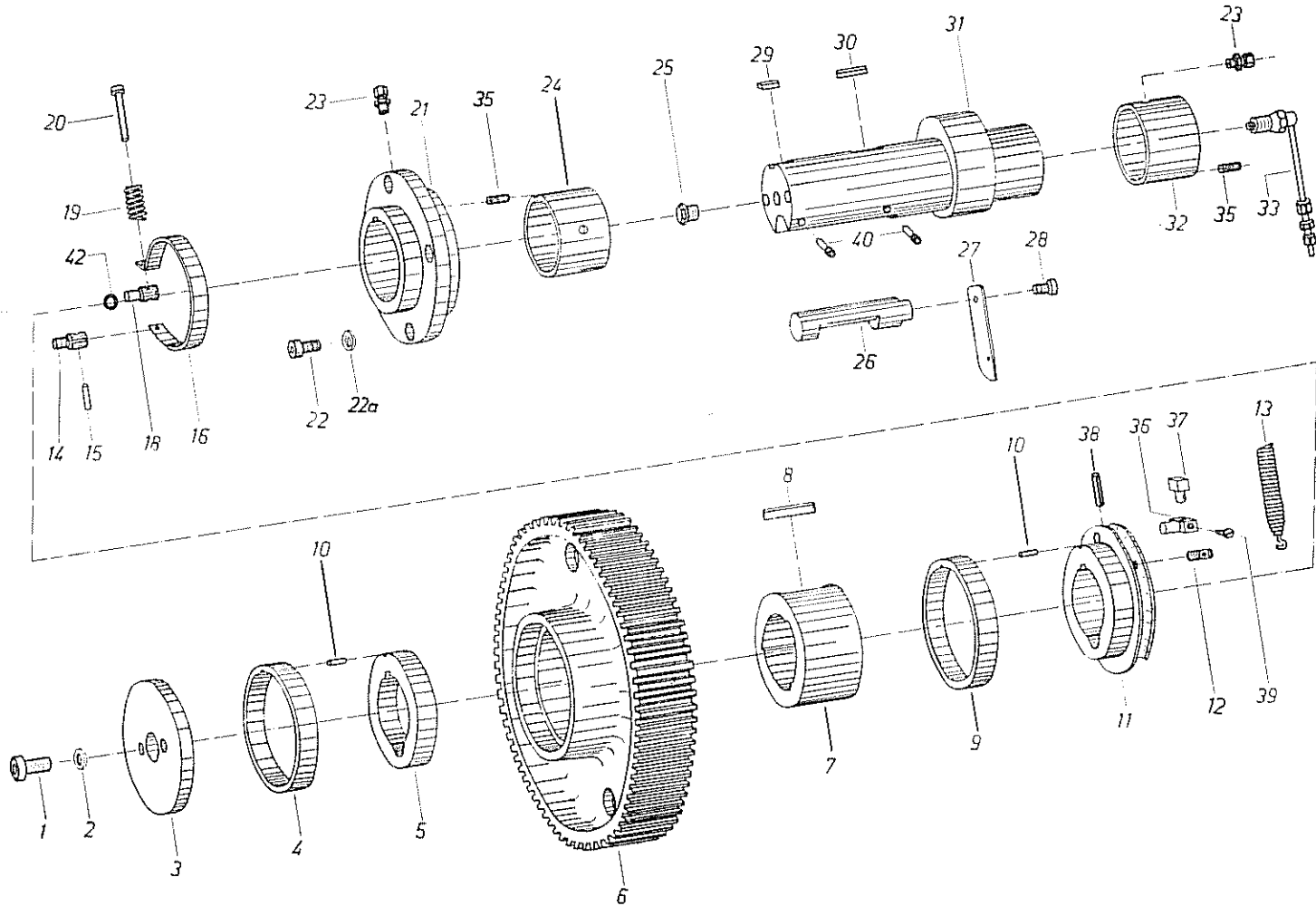
KBL 100-50/KBL 110-7



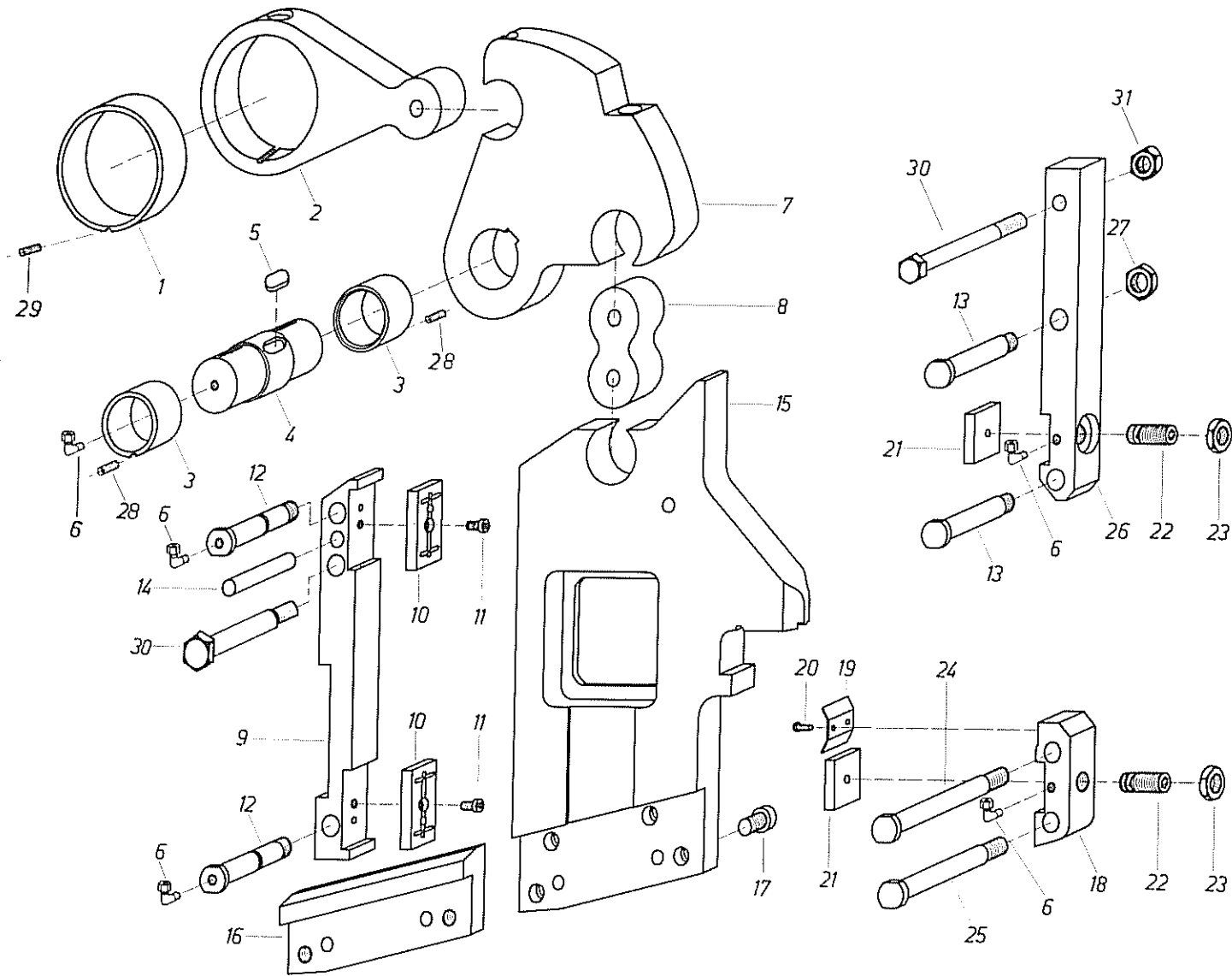
Pos. Item	Artikel-Nr. Article-No.	Stück/Mesch. Quantity required	Benennung	Nomenclature	Pos. Item	Artikel-Nr. Article-No.	Stück/Mesch. Quantity required	Benennung	Nomenclature
1	907984350IP	2	Zylinderschraube	Socket head screw, special	22	907984350IP	4	Zylinderschraube	Socket head screw, special
2	810600003	2	DUBO-Sicherung	Nylon washer	22a	810600003	4	DUBO-Sicherung	Nylon washer
3	Z137-12.15	1	Deckscheibe	Cap	23	811100005	5	gerade Einschraubver.	Straight connector
4	Z137-12.08	1	Buchse	Bronze bushing	24	Z137-12.03	1	Buchse für Flanschlager	Bronze bushing
5	Z137-12.07	1	Kupplungsring, außen	Outer coupling ring	25	90091011	1	Verschlußschraube	Screw plug
6	Z137-12.05	1	Kupplungsrad	Gear	26	Z137-12.10	1	Drehkeil	Rolling key
7	Z137-12.06	1	Kupplungsnahe	Coupling sleeve	27	Z137A-12.05	1	Anschlagleiste	Rolling key lever
8	90688566	2	Paßfeder	Key	28	906912252	1	Zylinderschraube	Socket head screw
9	Z137-12.08	1	Buchse	Bronze bushing	29	90688545	1	Paßfeder	Key
10	90055154	4	Gewindestift	Slotted set screw	30	90688546	1	Paßfeder	Key
11	Z137A-12.03	1	Kupplungsring, innen	Inner coupling ring	31	Z137A-12.01	1	Exzenterwelle	Eccentric shaft
12	Z131-12.11	1	Schafschraube	Eye screw	32	Z137A-12.02	1	Buchse für Körper	Bronze bushing
13	Z133-12.18	1	Zugfeder	Spring	33	811100085	3	Drehanschluß	Rotary fitting
14	Z137-15.06	2	Gabelbolzen	Brake band stud screw	35	90055164	2	Gewindestift	Slotted set screw
15	90000705	4	Zylinderstift	Dowel pin	36	Z131-14.04	1	Spannstück	Disengagement pin bracket
16	Z137-15.05	2	Bremsband	Brake band	37	Z137A-12.06	1	Ausrückbolzen	Disengagement pin
18	Z137-15.07	2	Gewindebolzen	Adjusting screw	38	90148133	1	Spannhülse	Tension pin
19	Z131-15.04	2	Druckfeder	Spring	39	Z131-14.06	1	Zylinderschraube	Slotted head screw
20	90008456	2	Zylinderschraube mit Schlitz	Slotted head screw	40	811100009	2	Einschr.-Widerstands-Ventil	Meter valve
21	Z137-12.02	1	Flanschlager	Bushing flange	41	811100003	5	Winkel-Einschraubver.	Elbow connector



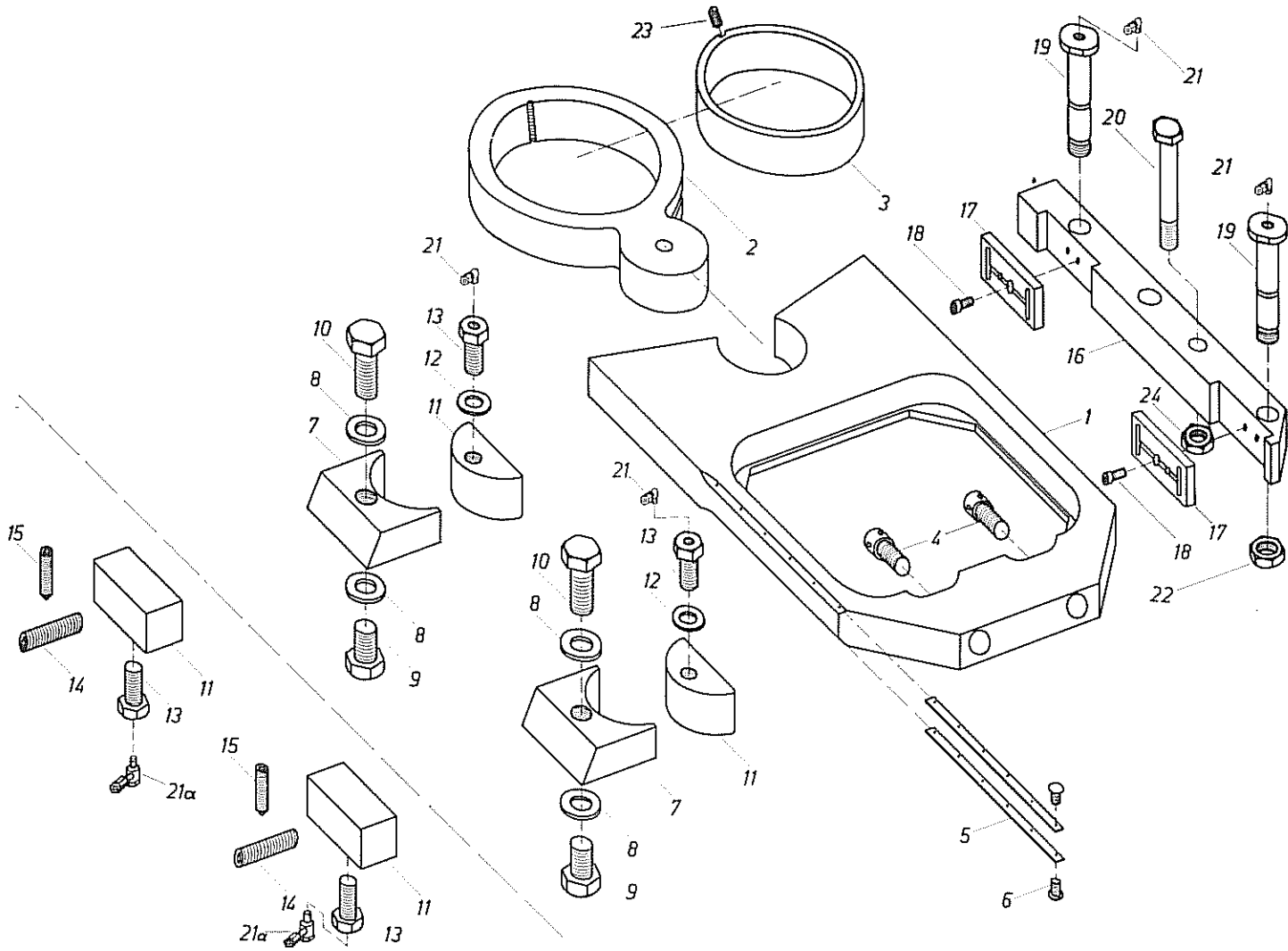
Pos. Item	Artikel-Nr. Article-No.	Stück./Mensch. Quantity required	Benennung	Nomenclature	Pos. Item	Artikel-Nr. Article-No.	Stück./Mensch. Quantity required	Benennung	Nomenclature
1	9079843501P	2	Zylinderschraube	Socket head screw, special	22	9079843501P	4	Zylinderschraube	Socket head screw, special
2	810600003	2	DUBO-Sicherung	Nylon washer	22a	810600003	4	DUBO-Sicherung	Nylon washer
3	Z137-13.15	1	Deckscheibe	Cap	23	811100005	5	gerade Einschraubver.	Straight connector
4	Z137-13.08	1	Buchse	Bronze bushing	24	Z137-13.03	1	Buchse für Flanschlager	Bronze bushing
5	Z137-13.07	1	Kupplungsring, außen	Outer coupling ring	25	90091011	1	Verschlußschraube	Screw plug
6	Z137-13.05	1	Kupplungsrad	Gear	26	Z137-13.10	1	Drehkeil	Rolling key
7	Z137.13.06	1	Kupplungsnahe	Coupling sleeve	27	Z137A-13.05	1	Anschlagleiste	Rolling key lever
8	90688572	2	Paßfeder	Key	28	906912252	1	Zylinderschraube	Socket head screw
9	Z137-13.08	1	Buchse	Bronze bushing	29	90688545	1	Paßfeder	Key
10	90055164	4	Gewindestift	Slotted set screw	30	90688546	1	Paßfeder	Key
11	Z137A-13.03	1	Kupplungsring, innen	Inner coupling ring	31	Z137A-13.01	1	Exzenterwelle	Eccentric shaft
12	Z131-12.11	1	Schalterschraube	Eye screw	32	Z137A-13.02	1	Buchse für Körper	Bronze bushing
13	Z133-12.18	1	Zugfeder	Spring	33	811100085	3	Drehanschluß	Rotary fitting
14	Z137-15.06	1	Gabelbolzen	Brake band stud screw	35	90055164	2	Gewindestift	Slotted set screw
15	90000706	2	Zylinderstift	Dowel pin	36	Z131-14.04	1	Spannstück	Disengagement pin bracket
16	Z137-16.03	1	Bremsband	Brake band	37	Z137A-12.04	1	Ausrückbolzen	Disengagement pin
18	Z137-15.07	1	Gewindebolzen	Adjusting screw	38	90148133	1	Spannhülse	Tension pin
19	Z131-15.04	1	Druckfeder	Spring	39	Z131-14.06	1	Zylinderschraube	Slotted head screw
20	90008456	1	Zylinderschraube mit Schlitz	Slotted head screw	40	811100009	2	Einschr.-Widerstands-Ventil	Meter valve
21	Z137-13.02	1	Flanschlager	Bushing flange					



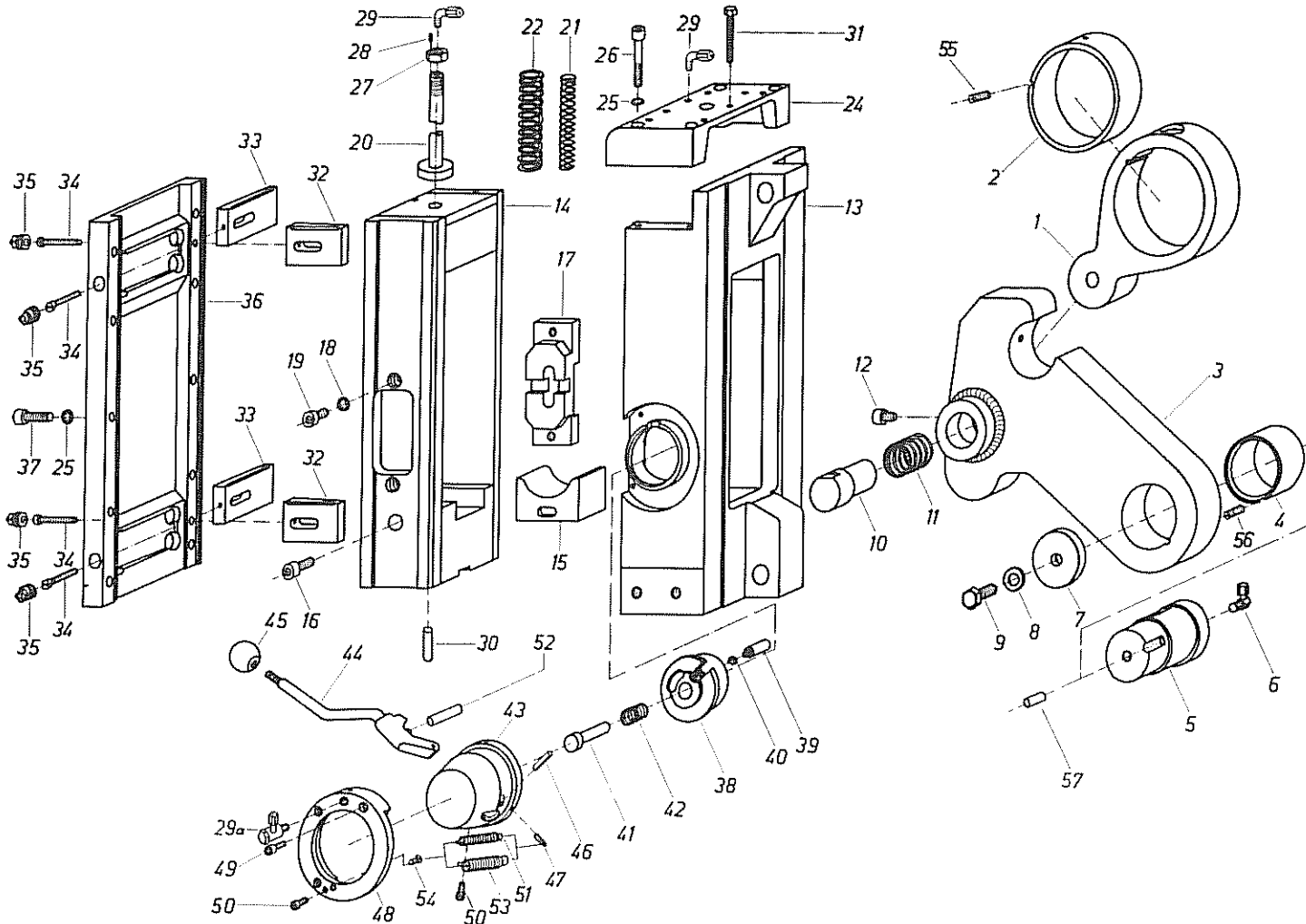
Pos. Item	Artikel-Nr. Article-No.	Stück./ Masch. Quantity required	Benennung	Nomenclature	Pos. Item	Artikel-Nr. Article-No.	Stück./ Masch. Quantity required	Benennung	Nomenclature
1	9079843501P	2	Zylinderschraube	Socket head screw, special	22	9079843501P	4	Zylinderschraube	Socket head screw, special
2	810600003	2	DUBO-Sicherung	Nylon washer	22a	810600003	4	DUBO-Sicherung	Nylon washer
3	Z137-12.15	1	Deckscheibe	Cap	23	811100005	5	gerade Einschraubver.	Straight connector
4	Z137-12.08	1	Buchse	Bronze bushing	24	Z137-12.03	1	Buchse für Flanschlager	Bronze bushing
5	Z137-12.07	1	Kupplungsring, außen	Outer coupling ring	25	90091011	1	Verschlußschraube	Screw plug
6	Z137-12.05	1	Kupplungsrad	Gear	26	Z137-12.10	1	Drehkeil	Rolling key
7	Z137-12.06	1	Kupplungsnahe	Coupling sleeve	27	Z137A-12.05	1	Anschlagleiste	Rolling key lever
8	90688566	2	Paßfeder	Key	28	906912252	1	Zylinderschraube	Socket head screw
9	Z137-12.08	1	Buchse	Bronze bushing	29	90688545	1	Paßfeder	Key
10	90055154	4	Gewindestift	Slotted set screw	30	90688546	1	Paßfeder	Key
11	Z137A-12.03	1	Kupplungsring, Innen	Inner coupling ring	31	Z137A-14.01	1	Exzenterwelle	Eccentric shaft
12	Z131-12.11	1	Schaltsschraube	Eye screw	32	Z137A-12.02	1	Buchse für Körper	Bronze bushing
13	Z133-12.18	1	Zugfeder	Spring	33	811100085	3	Drehanschluß	Rotary fitting
14	Z137-15.05	2	Gabelbolzen	Brake band stud screw	35	90055164	2	Gewindestift	Slotted set screw
15	90000706	4	Zylinderstift	Dowel pin	36	Z131-14.04	1	Spannstück	Disengagement pin bracket
16	Z137-15.05	2	Bremsband	Brake band	37	Z137A-12.06	1	Ausrückbolzen	Disengagement pin
18	Z137-15.07	2	Gewindebolzen	Adjusting screw	38	90148133	1	Spannhülse	Tension pin
19	Z131-15.04	2	Druckfeder	Spring	39	Z131-14.06	1	Zylinderschraube	Slotted head screw
20	90008456	2	Zylinderschraube mit Schlitz	Slotted head screw	40	811100009	2	Einschr.-Widerstands-Ventil	Meter valve
21	Z137-12.02	1	Flanschlager	Bushing flange					



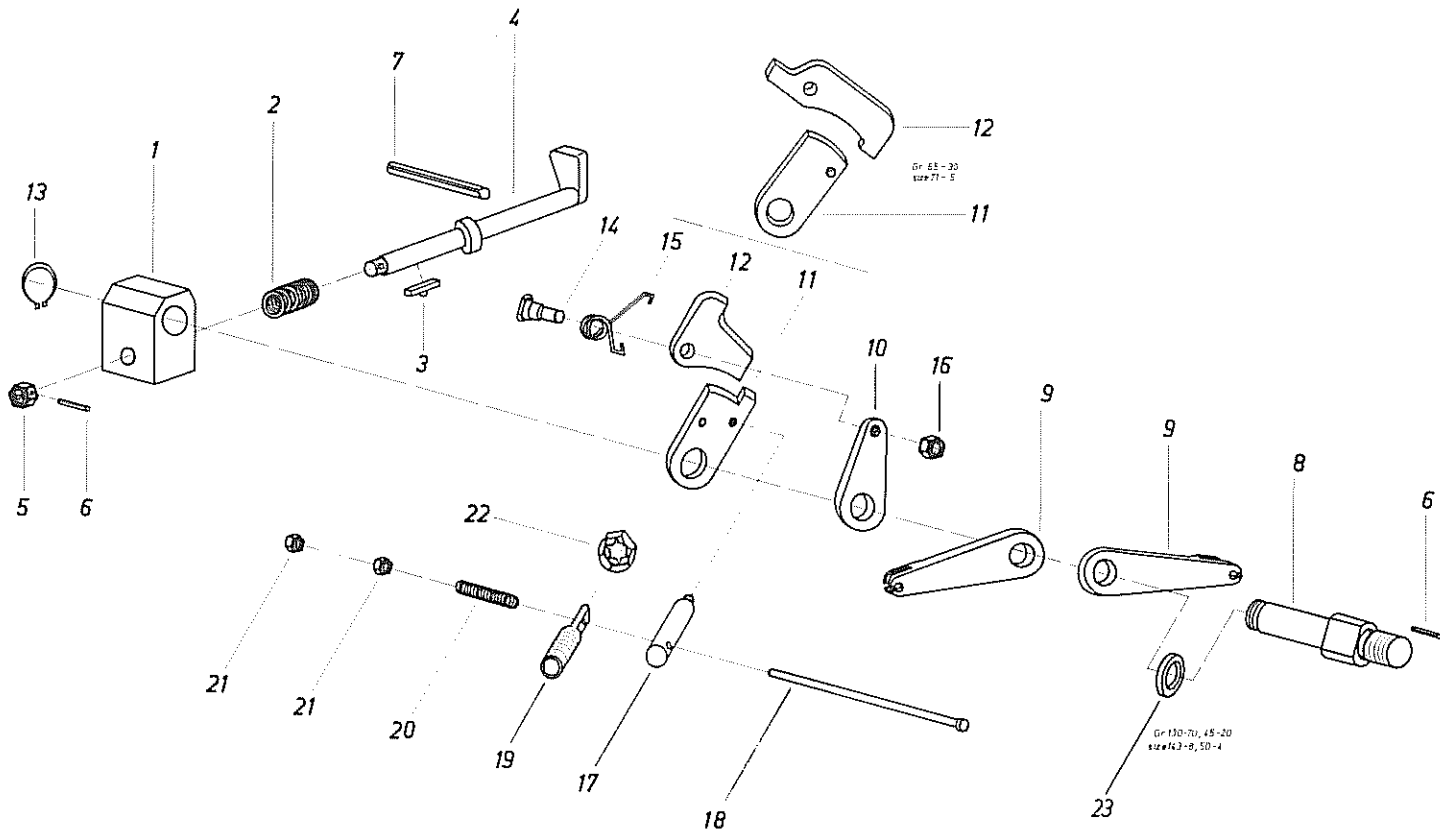
Pos. Item	Artikel-Nr. Article-No.	Stück./ Masch. Quantity required	Benennung	Nomenclature	Pos. Item	Artikel-Nr. Article-No.	Stück./ Masch. Quantity required	Benennung	Nomenclature
1	Z137-21.06	1	Buchse	Bronze bushing	17	906912453	4	Zylinderschraube	Socket head screw
2	Z137-21.05	1	Druckstück	Connecting rod	18	Z137-03.40	1	Zwischenstück, unten	Gib bracket
3	Z137-21.04	2	Buchse	Bronze bushing	19	Z137-03.08	1	Federblech	Wiper
4	Z137-21.03	1	Drehbolzen	Pivot shaft	20	810600012	2	Hammerschraube	Drive screw
5	90608580	1	Paßfeder	Key	21	Z137-03.11	2	Führungsstück	Gib
6	811100003	37	Winkel-Einschraubver.	Elbow connector	22	Z133-03.54	2	Druckschraube	Adjusting screw
7	Z137-21.01	1	Antriebshebel	Bell crank	23	90093641	2	Sechskantmutter	Hex. nut
8	Z137-21.02	1	Druckstück	Connecting link	24	Z137A-03.18	1	Paßbolzen	Frame bolt
9	Z137-03.06	1	Führungsleiste	Gib bracket	25	Z137A-03.17	1	Paßbolzen	Frame bolt
10	Z137-03.37	2	Gleitstück	Gib	26	Z137A-03.03	1	Zwischenstück, oben	Gib bracket
11	906912252	2	Zylinderschraube	Socket head screw	27	90093641	20	Sechskantmutter	Hex. nut
12	Z137-03.17	4	Paßbolzen	Frame bolt	28	90055164	2	Gewindestift	Slotted set screw
13	Z137A-03.16	13	Paßbolzen	Frame bolt	29	90055164	2	Gewindestift	Slotted set screw
14	90143359	1	Bolzen	Dowel pin	30	900931465	7	Sechskantschraube	Hex. cap screw
15	Z137A-31.01	1	Scherenschlitten	Slide, plate shear	31	90093631	7	Sechskantmutter	Hex. nut
16	Z137A-31.02	1	Messerleiste	Blade holder					



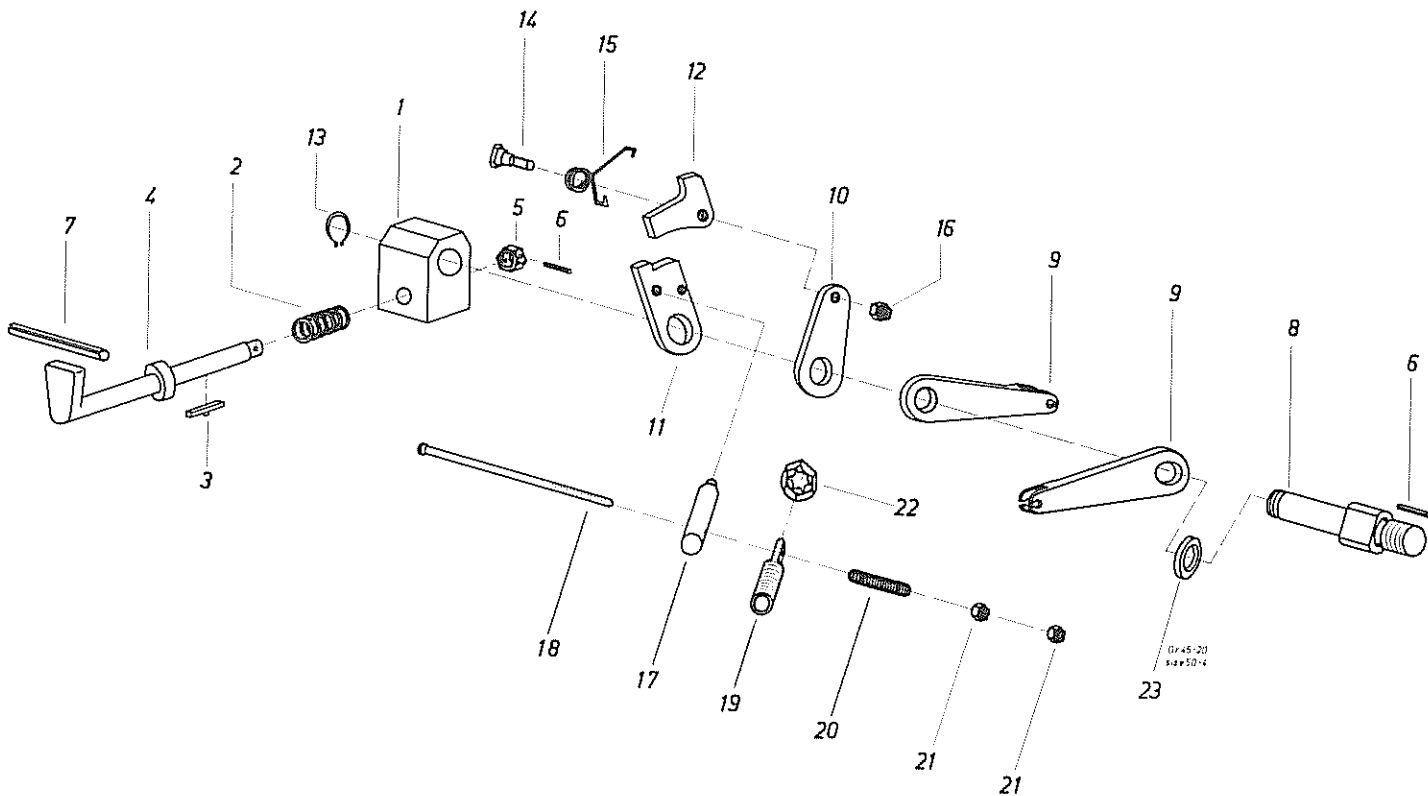
Pos. Item	Artikel-Nr. Article-No.	Stück./ Mensch. Quantity required	Benennung	Nomenclature	Pos. Item	Artikel-Nr. Article-No.	Stück./ Mensch. Quantity required	Benennung	Nomenclature
1	Z137-32.01	1	Profilschlitten	Slide, section shear	13	Z137-03.03	2	Sechskantschraube	Hex. cap screw
2	Z137-22.01	1	Druckstück	Connecting rod	16	Z137-03.04	1	Führungsleiste	Gib bracket
3	Z137-22.02	1	Buchse	Bronze bushing	17	Z137-03.37	2	Gleitstück	Gib
4	Z133-32.02	2	Kreuzlochschaube	Knife block locking screw	18	906912252	2	Zylinderschraube	Socket head screw
5	Z133-32.03	2	Abdeckleiste	Protection strip	19	Z137-03.17	4	Paßbolzen	Frame bolt
6	810600014	12	„POP“-Blindniet	Drive screw	20	900931465	7	Sechskantschraube	Hex. cap screw
7	Z137-03.01	2	Spannstück	Gib saddle	21	811100003	37	Winkel-Einschraubver.	Elbow connector
8	90012544	4	Scheibe	Washer	21a	811100004	11	Schwenkverschraubung	Swivel connector
9	90096042	2	Sechskantschraube	Hex. cap screw	22	90093641	20	Sechskantmutter	Hex. nut
10	90096047	2	Sechskantschraube	Hex. cap screw	23	90055164	2	Gewindestift	Slotted set screw
11	Z137-03.02	2	Gleitstück	Gib	24	90093631	7	Sechskantmutter	Hex. nut
12	90012537	2	Scheibe	Washer					



Pos. Item	Artikel-Nr. Article-No.	Stück./ Masch. Quantity required	Benennung	Nomenclature	Pos. Item	Artikel-Nr. Article-No.	Stück./ Masch. Quantity required	Benennung	Nomenclature
1	Z137-23.08	1	Druckstück	Connecting rod	29a	811100004	11	Schwenkverschraubung	Swivel connector
2	Z137-21.06	1	Buchse	Bronze bushing	30	90000770	2	Zylinderstift	Dowel pin
3	Z137-23.01	1	Kniehebel	Beil crank	31	900933265	1	Sechskantschraube	Hex. cap screw
4	Z137-23.02	1	Buchse	Bronze bushing	32	Z137-33.02	2	Führungsstück	Gib
5	Z137A-23.02	1	Drehbolzen	Pivot shaft	33	Z137-33.04	2	Führungsstück	Gib
6	811100003	5	Winkel-Einschraubver.	Elbow connector	34	90008446	4	Zylinderschraube	Slotted head screw
7	Z137-23.04	1	Deckscheibe	Cap	35	Z131-33.16	4	Kernstopfen	Lock screw
8	90012531	1	Scheibe	Washer	36	Z137-33.03	1	Gehäusedeckel, vorn	Punch housing cover
9	900933358	1	Sechskantschraube	Hex. cap screw	37	9009123041P	10	Zylinderschraube	Socket head screw, special
10	Z137-23.05	1	Federbolzen	Beil crank stud	38	Z133A-48.01	1	Sucherscheibe	Center spotter hub
11	Z137-23.06	1	Druckfeder	Spring	39	Z133-48.02	1	Sucherbolzen	Threaded pin
12	Z135-23.07	1	Zylinderschraube	Socket head screw	40	90047111	1	Sicherungsring	Retaining ring
13	Z137-33.01	1	Stanzengehäuse	Punch housing	41	Z137-48.01	1	Ausrückbolzen	Disengagement pin
14	Z137A-34.04	1	Stanzenschlitten	Punch slide	42	Z133-48.13	1	Druckfeder	Spring
15	Z137-33.10	1	Druckplatte	Saddle	43	Z133A-48.02	1	Suchergehäuse	Center spotter cap
16	Z135-33.11	1	Zylinderschraube	Socket head screw	44	Z133-48.12	1	Sucherhebel	Center spotter lever
17	Z137A-33.02	1	Führungsplatte	Slide block	45	90031971	1	Kugelknopf	Ball knob
18	810600002	2	DUBO-Sicherung	Nylon washer	46	90148133	1	Spannhülse	Tension pin
19	9009123021P	2	Zylinderschraube	Socket head screw, special	47	Z133-48.07	1	Federöse	Eye screw
20	Z135-33.06	1	Federbolzen kpl.	Punch slide bolt	48	Z133A-48.03	1	Deckring	Center spotter bracket
21	Z137A-33.01	1	Schraubendruckfeder	Spring	49	900912253	3	Zylinderschraube	Socket head screw
22	Z137-33.11	1	Schraubendruckfeder	Spring	50	900912203	2	Zylinderschraube	Socket head screw
24	Z137-33.05	1	Gehäusedeckel, oben	Punch housing cap	51	Z133-48.18	1	Zugfeder, innen	Spring
25	90798017	4	Federring	Lock washer	52	90000733	1	Zylinderstift	Dowel pin
25	810600002	10	DUBO-Sicherung	Nylon washer	53	Z133-48.17	1	Zugfeder, außen	Spring
26	9009123081P	4	Zylinderschraube	Socket head screw, special	54	90008441	1	Zylinderschraube	Slotted head screw
27	90093625	1	Sechskantmutter	Hex. nut	55	90055164	2	Gewindestift	Slotted set screw
28	90148104	1	Spannhülse	Tension pin	56	90055164	1	Gewindestift	Slotted set screw
29	811100003	37	Winkel-Einschraubver.	Elbow connector	57	90000753	1	Zylinderstift	Dowel pin

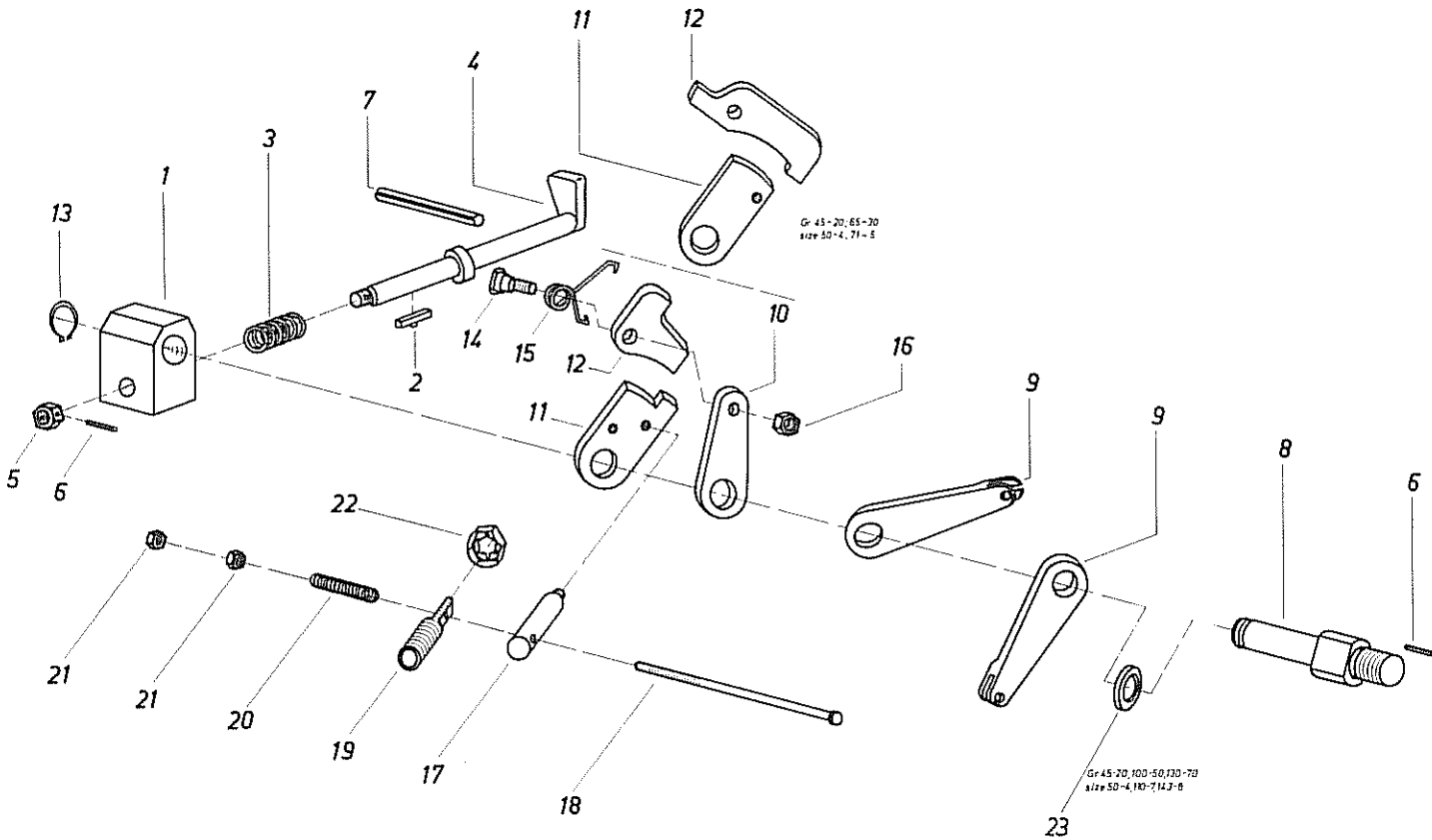


Pos. Item	Artikel-Nr. Article-No.	Stück./ Masch. Quantity required	Benennung	Nomenclature	Pos. Item	Artikel-Nr. Article-No.	Stück./ Masch. Quantity required	Benennung	Nomenclature
1	Z131A-41.02	1	Aufnahmeböckchen	Support block	13	90047131	1	Sicherungsring	Retaining ring
2	Z131-41.20	1	Druckfeder	Spring	14	Z131A-41A.09	1	Bolzen	Pivot bolt
3	810600015	1	Zapfenfeder	Guide pin	15	Z131A-41A.08	1	Schenkelfeder	Spring
4	Z131A-41.01	1	Anschlagarm	Trip arm	16	90098521	1	Sechskantmutter	Hex. nut
5	90093435	1	Sechskantmutter	Hex. nut	17	Z137A-41A.01	1	Führungsbolzen	Eye pin
6	90148107	2	Spannhülse	Tension pin	18	Z133A-41A.08	1	Federbolzen	Spring rod
7	90148163	1	Spannhülse	Tension pin	19	Z131A-41A.06	1	Gewindestift	Eye screw
8	Z137A-41.01	1	Drehbolzen	Stud bolt	20	Z133A-41A.10	1	Druckfeder	Spring
9	Z131A-42.02	1	Hebel für Bowdenzug	Bowden lever	21	90093415	2	Sechskantmutter	Hex. nut
10	Z131A-41.07	1	Hebel	Lever	22	90796735	1	Sicherungsmutter	Lock nut
11	Z131A-41.03	1	Hebel	Thrust lever	23	Z135A-45.01	1	Scheibe	Washer
12	Z131A-41.04	1	Rasthebel	Engaging lever					

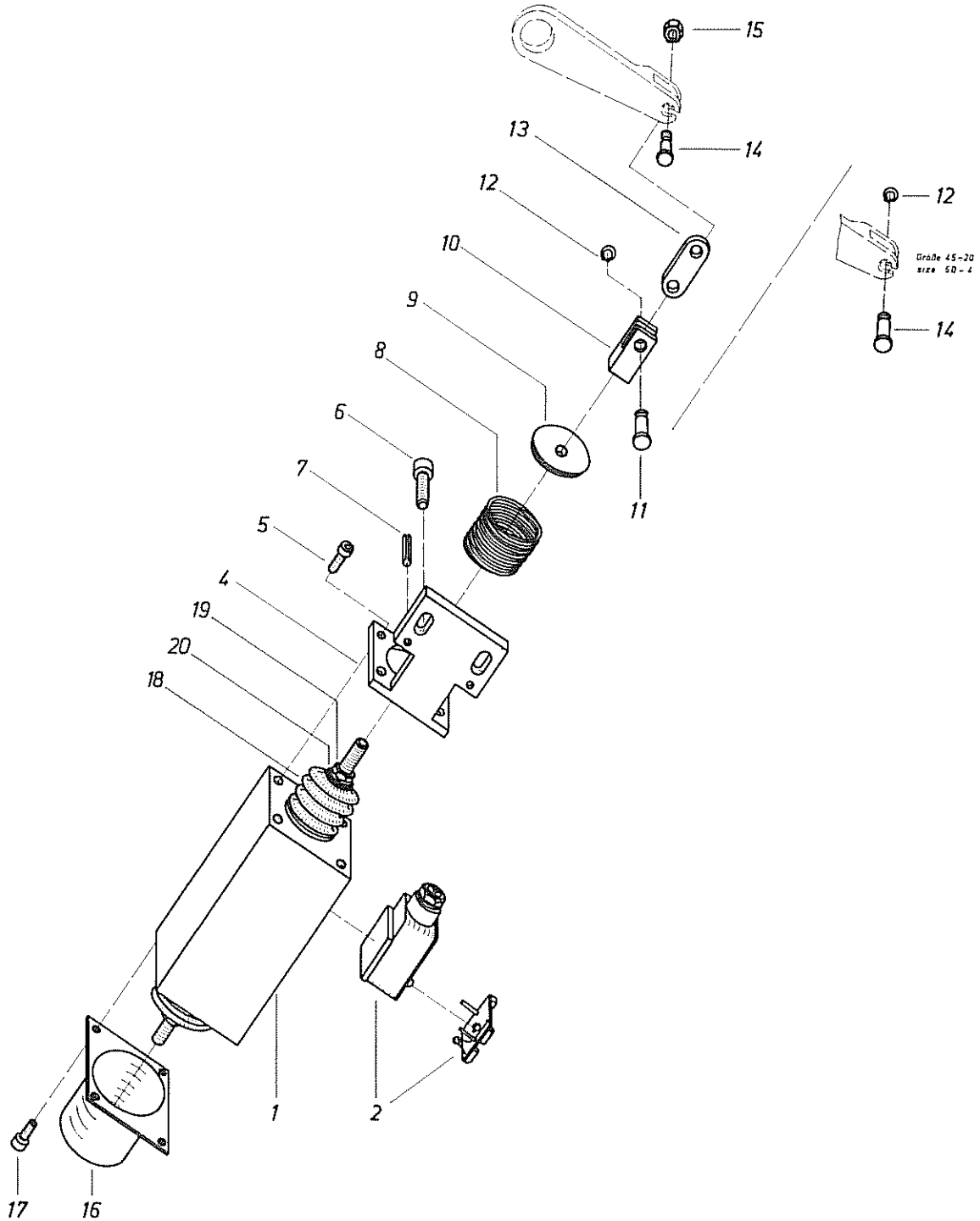


Pos. Item	Artikel-Nr. Article-No.	Stck./ Masch. Quantity required	Benennung	Nomenclature	Pos. Item	Artikel-Nr. Article-No.	Stck./ Masch. Quantity required	Benennung	Nomenclature
1	Z131A-41.02	1	Aufnahmeböckchen	Support block	12	Z131A-41.04	1	Rasthebel	Engaging lever
2	Z-131-41.28	1	Druckfeder	Spring	13	90047131	1	Sicherungsring	Retaining ring
3	010500015	1	Zapfenfeder	Guide pin	14	Z131A-41A.09	1	Bolzen	Pivot bolt
4	Z131A-41.01	1	Anschlagarm	Trip arm	15	Z131A-42A.02	1	Schenkelfeder	Spring
5	90093435	1	Sechskantmutter	Hex. nut	16	90098521	1	Sechskantmutter	Hex. nut
6	90148107	2	Spannhülse	Tension pin	17	Z137A-41A.01	1	Führungsbolzen	Eye pin
7	90148163	1	Spannhülse	Tension pin	18	Z133A-41A.00	1	Federbolzen	Spring rod
8	Z137A-41.01	1	Drehbolzen	Stud bolt	19	Z131A-41A.06	1	Gewindestift	Eye screw
9	Z131A-42.02	2	Hebel für Bowdenzug	Bowden lever	20	Z133A-41A.10	1	Druckfeder	Spring
10	Z131A-41.07	1	Hebel	Lever	21	90093415	2	Sechskantmutter	Hex. nut
11	Z131A-41.03	1	Hebel	Thrust lever	22	90796735	1	Sicherungsmutter	Lock nut

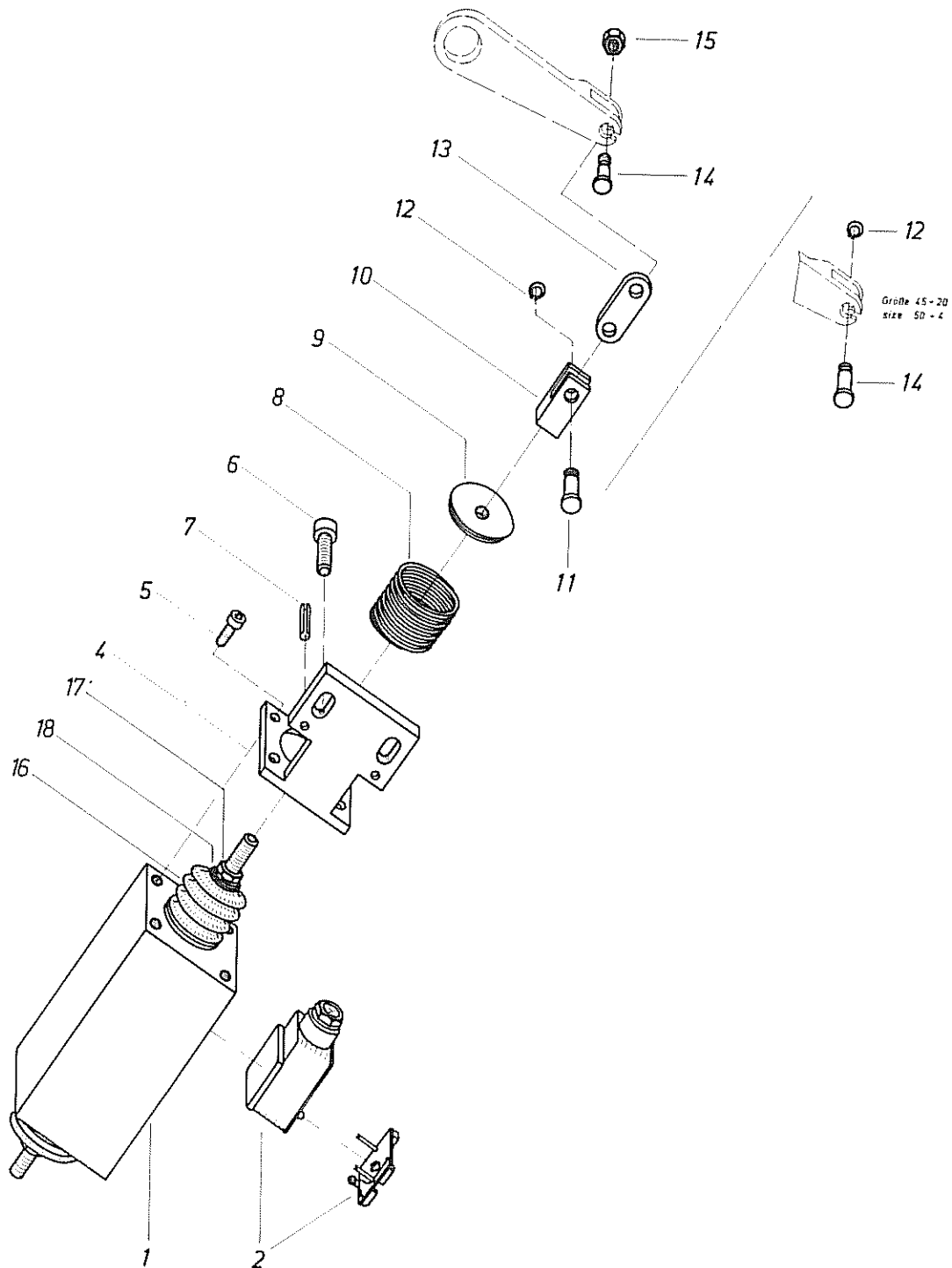




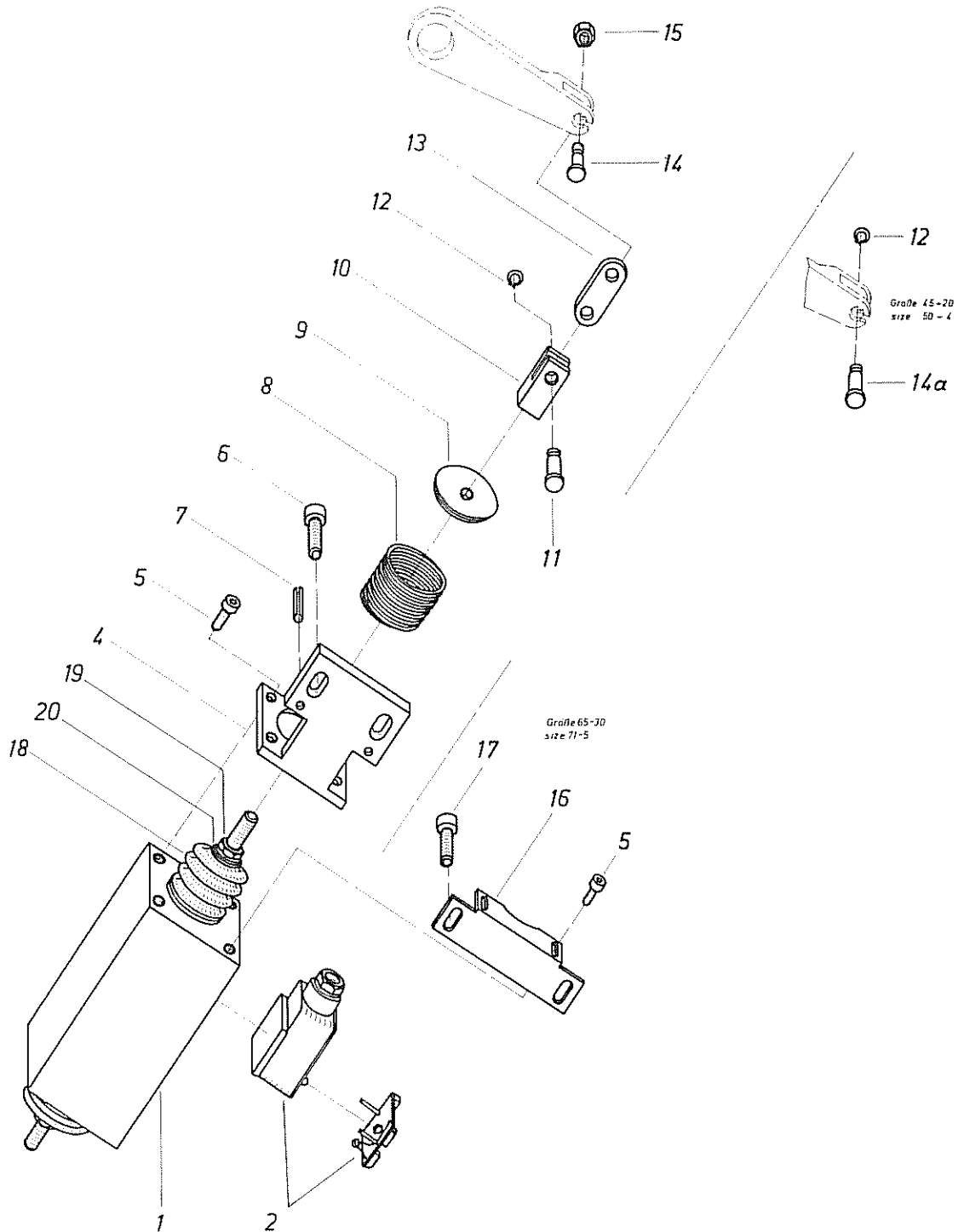
Pos. Item	Artikel-Nr. Article-No.	Stück./ Masch. Quantity required	Benennung	Nomenclature	Pos. Item	Artikel-Nr. Article-No.	Stück./ Masch. Quantity required	Benennung	Nomenclature
1	Z131A-41.02	1	Aufnahmeböckchen	Support block	12	Z131A-41.04	1	Rasthebel	Engaging lever
2	810600015	1	Zapfenfeder	Guide pin	13	90047131	1	Sicherungsring	Retaining ring
3	Z131A-41.28	1	Druckfeder	Spring	14	Z131A-41A.09	1	Bolzen	Pivot bolt
4	Z131A-41.01	1	Anschlagarm	Trip arm	15	Z131A-41A.08	1	Schenkelfeder	Spring
5	90093435	1	Sechskantmutter	Hex. nut	16	90098521	1	Sechskantmutter	Hex. nut
6	90148107	2	Spannhülse	Tension pin	17	Z137A-43A.01	1	Führungsbolzen	Eye pin
7	90148163	1	Spannhülse	Tension pin	18	Z164-47.02	1	Federbolzen	Spring rod
8	Z137A-41.01	1	Drehbolzen	Stud bolt	19	Z163-411.04	1	Gewindestift	Eye screw
9	Z131A-42.02	1	Hebel für Bowdenzug	Bowden lever	20	Z133A-41A.10	1	Druckfeder	Spring
10	Z131A-41.07	1	Hebel	Lever	21	90093415	4	Sechskantmutter	Hex. nut
11	Z131A-41.03	1	Hebel	Thrust lever	23	Z135A-45.01	1	Scheibe	Washer



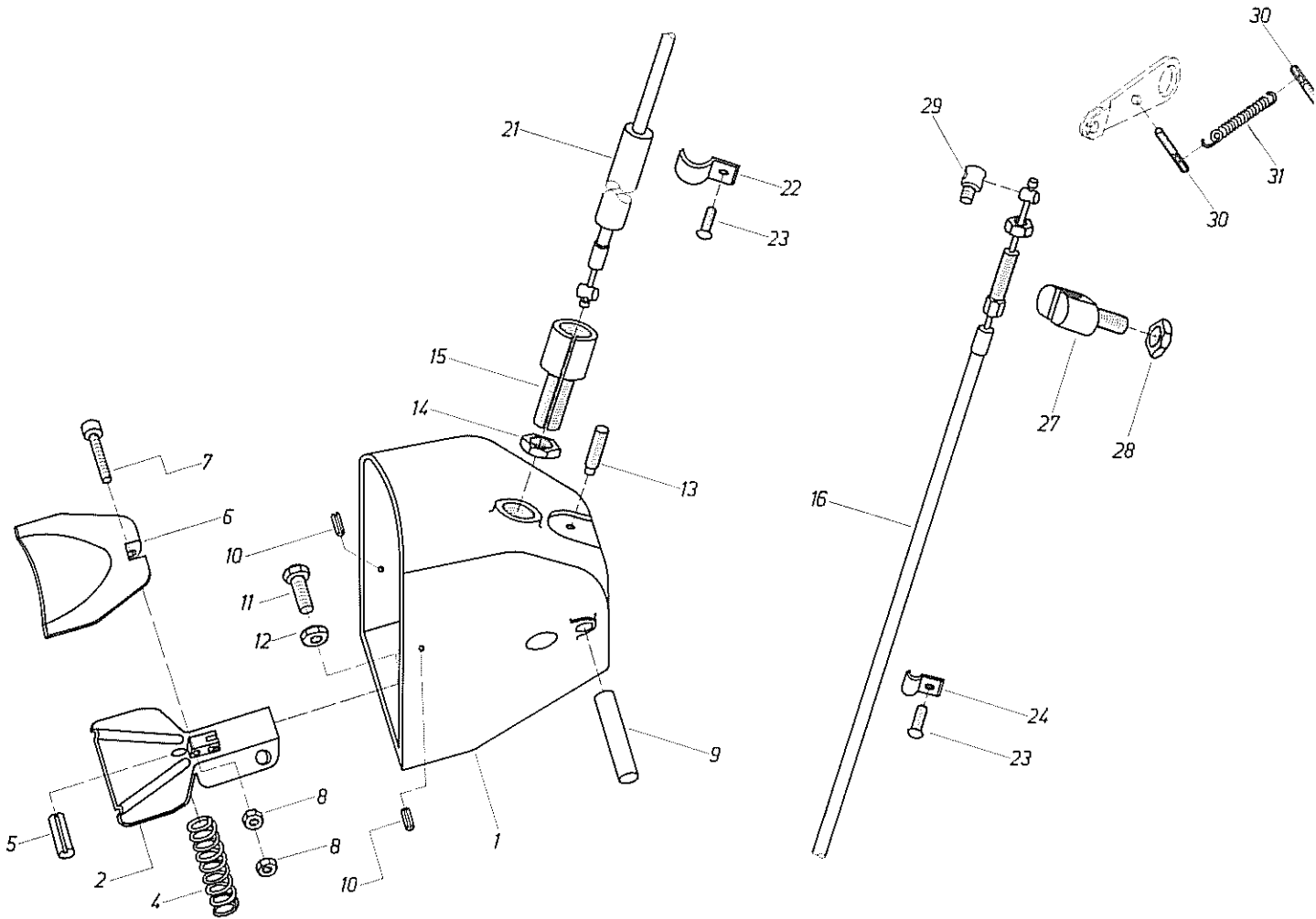
Pos. Item	Artikel-Nr. Article-No.	Stück./ Masch. Quantity required	Benennung	Nomenclature	Pos. Item	Artikel-Nr. Article-No.	Stück./ Masch. Quantity required	Benennung	Nomenclature
1	B10100001	1	Hubmagnet	Solenoid	11	Z133A-41A.02	1	Bolzen	Clevis pin
2	B10100002	3	Gleichrichter mit Kappe	Rectifier	12	90047114	1	Sicherungsring	Retaining ring
4	Z133A-41A.06	1	Befestigungswinkel	Mounting bracket	13	Z133A-41A.01	1	Zugstange	Link
5	900912152	4	Zylinderschraube	Socket head screw	14	Z131-450.01	1	Bolzen	Clevis pin
6	900912253	2	Zylinderschraube	Socket head screw	15	90098515	1	Sechskantmutter	Hex. nut
7	90148122	2	Spannhülse	Tension pin	18	B10100003	1	Faltenbalg	Rubber boot
8	Z133A-41A.05	1	Druckfeder	Spring	19	90093611	1	Sechskantmutter	Hex. nut
9	Z133A-41A.04	1	Federteller	Cap	20	90012524	1	Scheibe	Washer
10	Z133A-41A.03	1	Böckchen	Clevis					



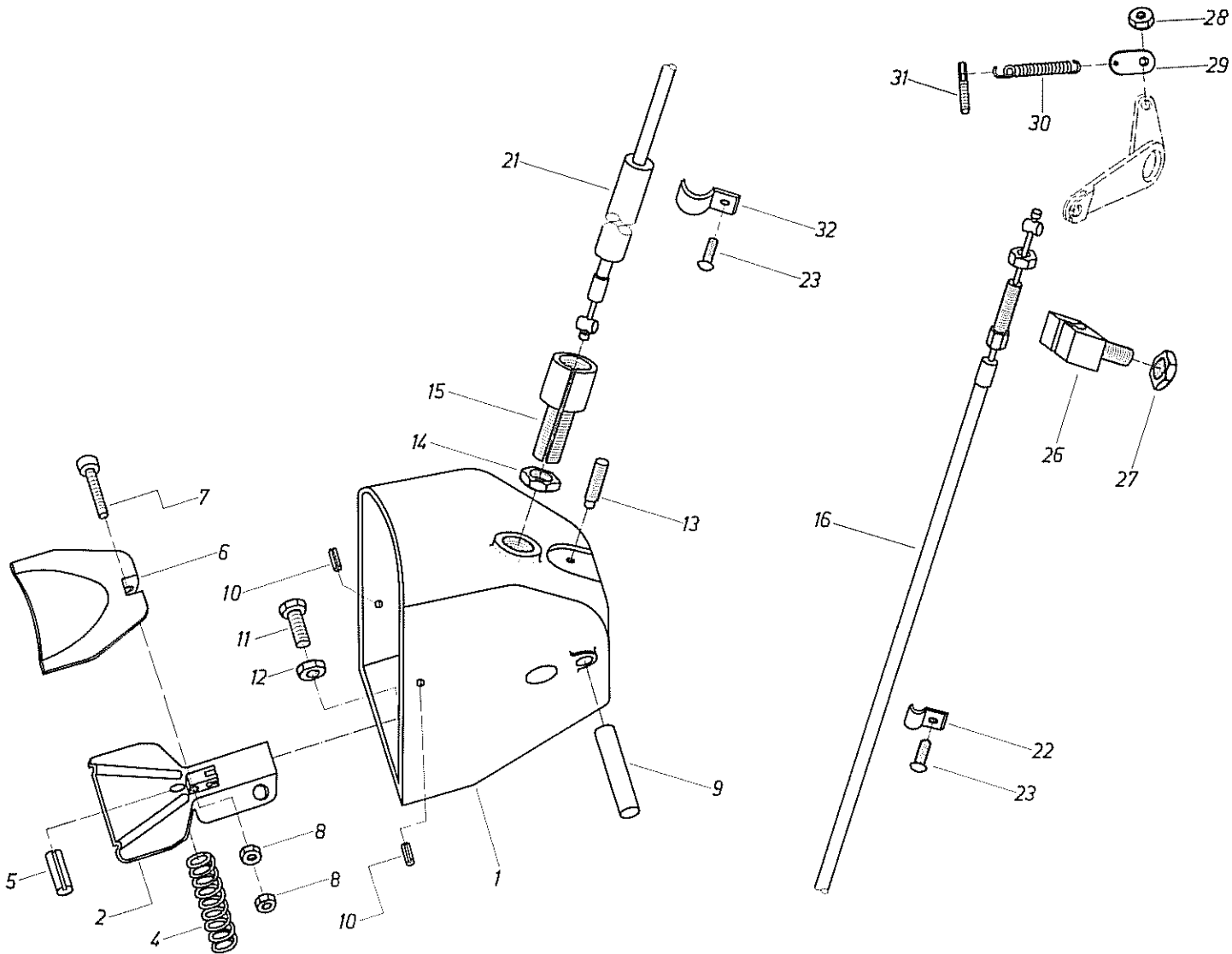
Pos. Item	Artikel-Nr. Article-No.	Stück./ Masch. Quantity required	Benennung	Nomenclature	Pos. Item	Artikel-Nr. Article-No.	Stück./ Masch. Quantity required	Benennung	Nomenclature
1	810100001	1	Hubmagnet	Solenoid	10	Z133A-41A.03	1	Böckchen	Clevis
2	810100002	3	Gleichrichter mit Kappe	Rectifier	11	Z133A-41A.02	1	Bolzen	Clevis pin
4	Z133A-41A.06	1	Befestigungswinkel	Mounting bracket	12	90047114	1	Sicherungsring	Retaining ring
5	900912152	4	Zylinderschraube	Socket head screw	13	Z133A-41A.01	1	Zugstange	Link
6	906912253	2	Zylinderschraube	Socket head screw	14	Z131-450.01	1	Bolzen	Clevis pin
7	90148122	2	Spannhülse	Tension pin	15	90098515	1	Sechskantmutter	Hex. nut
8	Z133A-41A.05	1	Druckfeder	Spring	16	810100003	1	Faltenbalg	Rubber boot
9	Z133A-41A.04	1	Federteller	Cap	17	90093611	1	Sechskantmutter	Hex. nut
					18	90012524	1	Scheibe	Washer



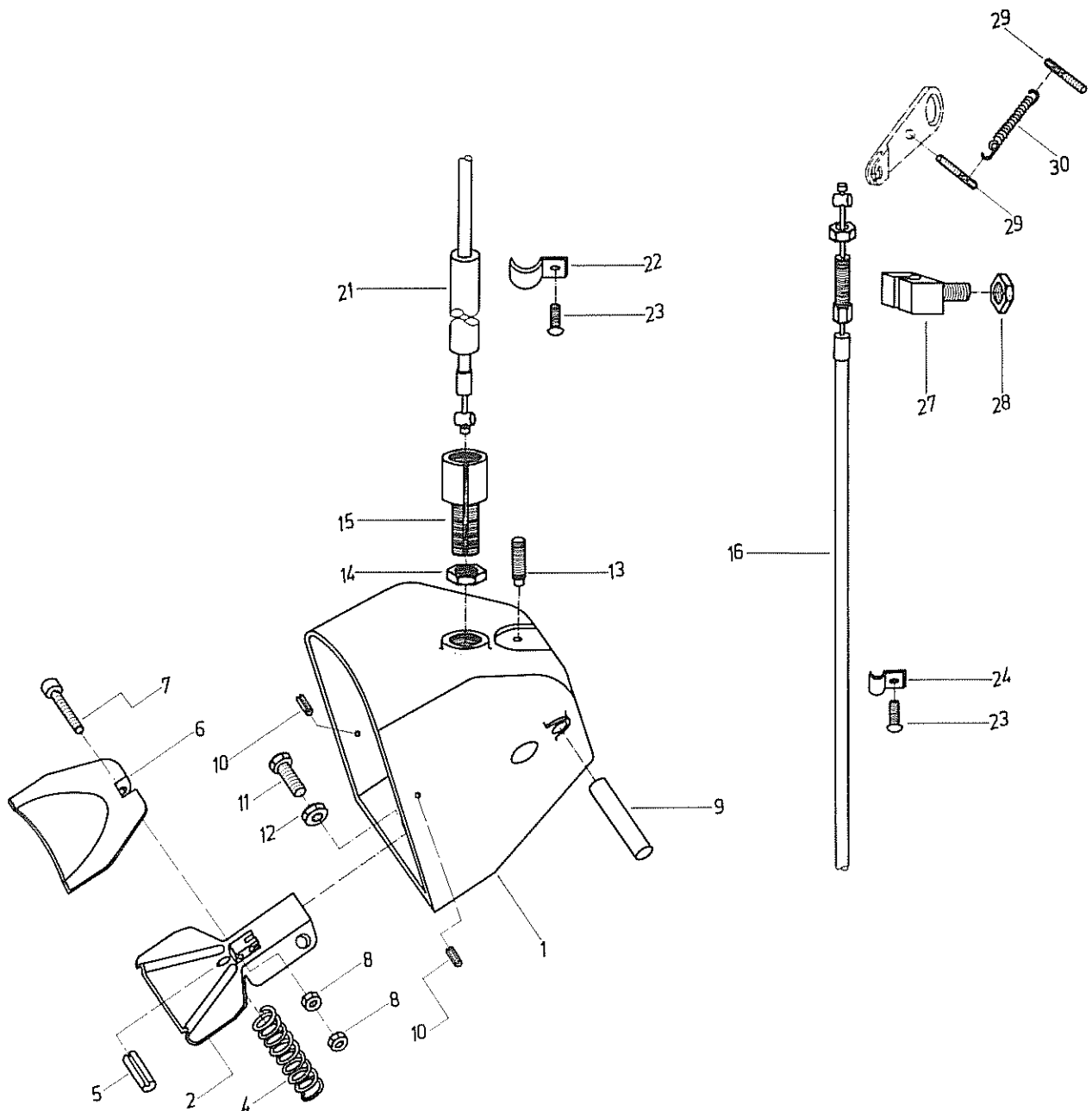
Pos. Item	Artikel-Nr. Article-No.	Stück./ Maschl. Quantity required	Benennung	Nomenclature	Pos. Item	Artikel-Nr. Article-No.	Stück./ Maschl. Quantity required	Benennung	Nomenclature
1	810100001	1	Hubmagnet	Solenoid	11	Z133A-41A.02	1	Bolzen	Clevis pin
2	810100002	3	Gleichrichter mit Kappe	Rectifier	12	90047114	1	Sicherungsring	Retaining ring
4	Z133A-41A.06	1	Befestigungswinkel	Mounting bracket	13	Z133A-41A.01	1	Zugstange	Link
5	900912152	4	Zylinderschraube	Socket head screw	14	Z131-450.01	1	Bolzen	Clevis pin
6	906912253	2	Zylinderschraube	Socket head screw	15	90098515	1	Sechskantmutter	Hex. nut
7	90148122	2	Spannhülse	Tension pin	18	810100003	1	Faltenbalg	Rubber boot
8	Z133A-41A.05	1	Druckfeder	Spring	19	90093611	1	Sechskantmutter	Hex. nut
9	Z133A-41A.04	1	Federteller	Cap	20	90012524	1	Scheibe	Washer
10	Z133A-41A.03	1	Böckchen	Clevis					



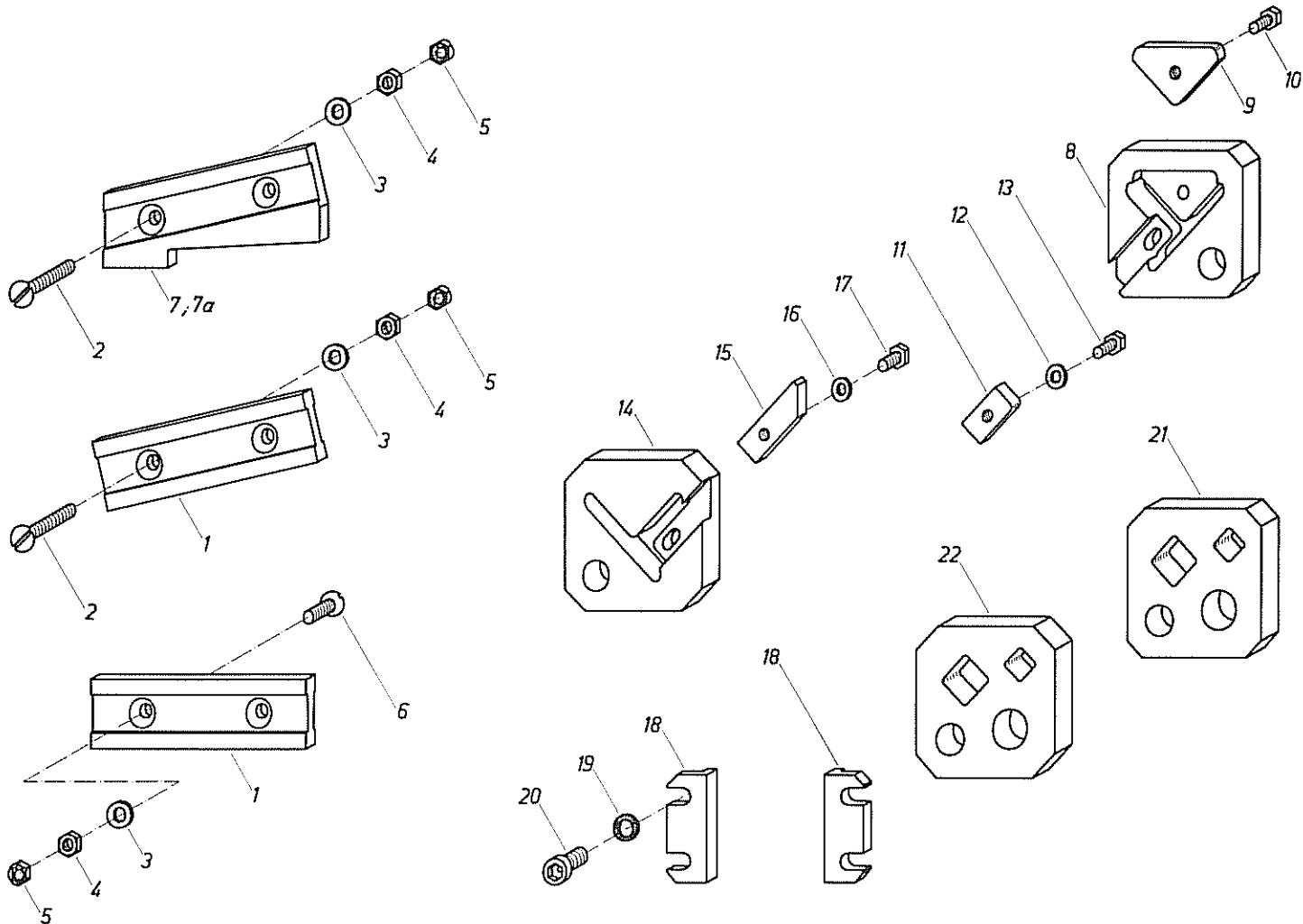
Pos. Item	Artikel-Nr. Article-No.	Stück./Masch. Quantity required	Benennung	Nomenclature	Pos. Item	Artikel-Nr. Article-No.	Stück./Masch. Quantity required	Benennung	Nomenclature
1	Z133-44.01	1	Gehäuse für Fußtritt	Foot pedal housing	15	Z133-44.10	1	Schlauchbefestigung	Pipe clip
2	Z133-44.02	1	Fußhebel	Pedal	16	Z137-44.01	1	Bowdenzug kpl.	Bowden cable assembly compl.
4	Z133-44.04	1	Druckfeder	Spring	21	810600016	2,05 m	Bardex-Schlauch	Bowden cable cover
5	90148156	1	Spannhülse	Tension pin	22	97257171	1	Befestigungsschelle	Clip
6	Z133A-45A.04	1	Schutzklappe	Cover	23	90008431	5	Zylinderschraube	Slotted head screw
7	900912209	1	Zylinderschraube	Socket head screw	24	97257131	3	Befestigungsschelle	Clip
8	90093421	2	Sechskantmutter	Hex. nut	27	ZZ759-01	1	Anschlagböckchen	Bowden saddle
9	90090758	1	Zylinderschliff	Dowel pin	28	90093621	1	Sechskantmutter	Hex. nut
10	90148122	2	Spannhülse	Tension pin	30	Z131-41.08	2	Gewindestift	Slotted set screw
11	900933259	1	Sechskantschraube	Hex. cap screw	31	Z131-42.08	1	Zugfeder	Spring
12	90093425	1	Sechskantmutter	Hex. nut					
13	90041758	1	Gewindestift	Slotted set screw					
14	90093625	1	Sechskantmutter	Hex. nut					



Pos. Item	Artikel-Nr. Article-No.	Stück./ Masch. Quantity required	Benennung	Nomenclature	Pos. Item	Artikel-Nr. Article-No.	Stück./ Masch. Quantity required	Benennung	Nomenclature
1	Z133-44.01	1	Gehäuse für Fußtritt	Foot pedal housing	14	90093625	1	Sechskantmutter	Hex. nut
2	Z133-44.02	1	Fußhebel	Pedal	15	Z133-44.10	1	Schlauchbefestigung	Pipe clip
4	Z133-44.04	1	Druckfeder	Spring	16	Z137-44.01	1	Bowdenzug kpl.	Bowden cable assembly compl.
5	90148156	1	Spannhülse	Tension pin	21	810600016	1,92 m	Bardex-Schlauch	Bowden cable cover
6	Z133A-45A.04	1	Schutzklappe	Cover	22	97257131	2	Befestigungsschelle	Clip
7	900912209	1	Zylinderschraube	Socket head screw	23	90008431	2	Zylinderschraube	Slotted head screw
8	90093421	2	Sechskantmutter	Hex. nut	26	Z2759-01	1	Anschlagböckchen	Bowden saddle
9	90000758	1	Zylinderstift	Dowel pin	27	90093621	1	Sechskantmutter	Hex. nut
10	90148122	2	Spannhülse	Tension pin	30	Z131-42.08	1	Zugfeder	Spring
11	900933259	1	Sechskantschraube	Hex. cap screw	31	Z131-41.08	2	Gewindestift	Slotted set screw
12	90093425	1	Sechskantmutter	Hex. nut					
13	90041758	1	Gewindestift	Slotted set screw					



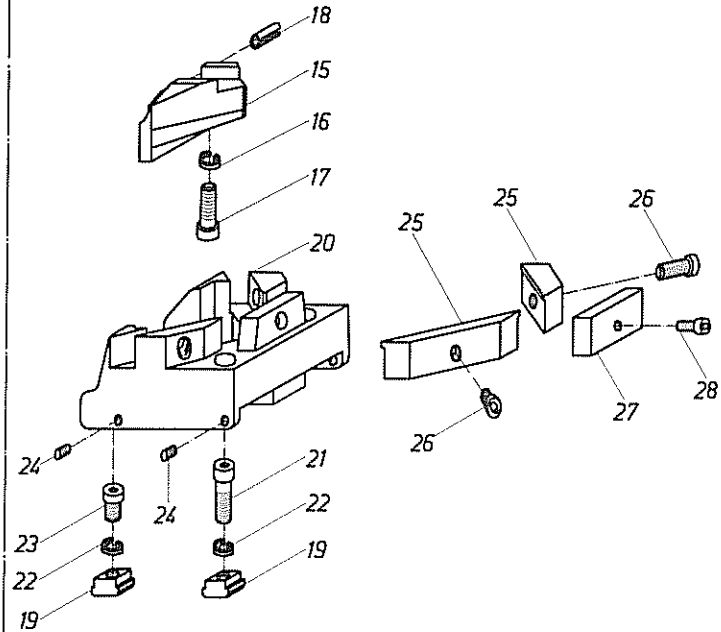
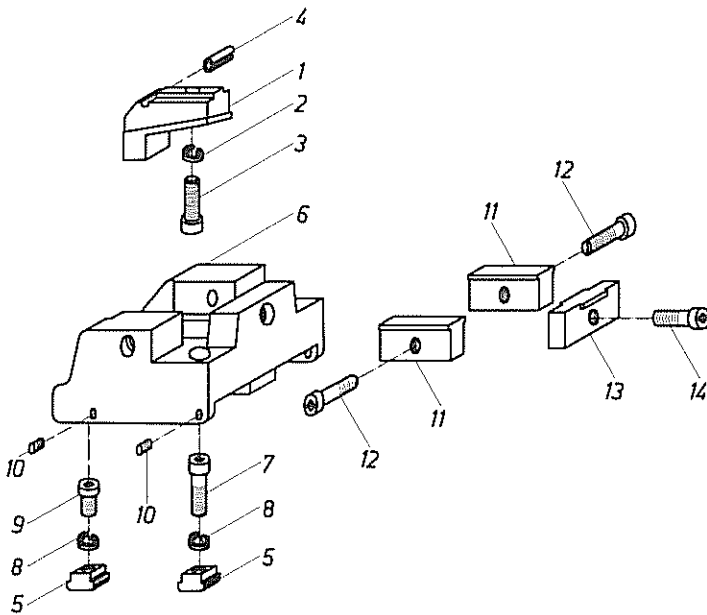
Pos. Item	Artikel-Nr. Article-No.	Stück./Mensch. Quantity required	Benennung	Nomenclature	Pos. Item	Artikel-Nr. Article-No.	Stück./Mensch. Quantity required	Benennung	Nomenclature
1	Z133-44.01	1	Gehäuse für Fußtritt	Foot pedal housing	14	90093625	1	Sechskantmutter	Hex. nut
2	Z133-44.02	1	Fußhebel	Pedal	15	Z133-44.10	1	Schlauchbefestigung	Pipe clip
4	Z133-44.04	1	Druckfeder	Spring	16	Z137-44.01	1	Bowdenzug kpl.	Bowden cable assembly compl.
5	90148156	1	Spannhülse	Tension pin	21	010600016	1,1	Bardex-Schlauch	Bowden cable cover
6	Z133A-45A.04	1	Schutzklappe	Cover			m		
7	900912209	1	Zylinderschraube	Socket head screw	22	97257171	1	Befestigungsschelle	Clip
8	90093421	2	Sechskantmutter	Hex. nut	23	90098431	9	Zylinderschraube	Slotted head screw
9	90000758	1	Zylinderstift	Dowel pin	24	97257131	7	Befestigungsschelle	Clip
10	90148122	2	Spannhülse	Tension pin	27	Z2759-01	1	Anschlagböckchen	Bowden saddle
11	900933259	1	Sechskantschraube	Hex. cap screw	28	90093621	1	Sechskantmutter	Hex. nut
12	90093425	1	Sechskantmutter	Hex. nut	29	Z131-41.08	2	Gewindestift	Slotted set screw
13	90041758	1	Gewindestift	Slotted set screw	30	Z131-42.08	1	Zugfeder	Spring



Pos. Item	Artikel-Nr. Article-No.	Stück./ Masch. Quantity required	Benennung	Nomenclature	Pos. Item	Artikel-Nr. Article-No.	Stück./ Masch. Quantity required	Benennung	Nomenclature
1	M50404	2	Blechmesser	Plate shear blade	11	ZK20-161.10	1	Schiebemeser Nr. 2	Sliding blade No. 2
2	90096379	2	Senkschraube	Countersunk screw	12	90012531	1	Scheibe	Washer
3	90012537	4	Scheibe	Washer	13	900933359	1	Sechskantschraube	Hex. cap screw
4	90093625	4	Sechskantmutter	Hex. nut	14	ZK20-161.01	1	Profilmesser fest	Knife block bar shear, stationary
5	90796741	4	Sicherungsmutter	Lock nut	15	ZK20-161.04	1	Schiebemeser Nr. 1	Sliding blade No. 1
6	90096378	2	Senkschraube	Countersunk screw	15a	ZK20-161.02	1	Einsatzmesser	Rectangular blade
7	M50446	1	Flachstahl-	Non deform blade 2,5°	16	90012531	1	Scheibe	Washer
7a	M50447	1	Flachstahl-	Non deform blade 5° optional	17	900933359	3	Sechskantschraube	Hex. cap screw
	ZK20-161	1	Profilm. z. Stabstahlsch.	Section shear, bar shear compl.	18	Z137-52.03	2	Spannlasche	Blade clamp
8	ZK20-161.07	1	Profilmesser beweglich	Knife block bar shear, movable	19	810600024	4	Sicherungsscheibe	Serrated washer
9	ZK20-161.08	1	Einsatzmesser	Triangular blade	20	900912451	4	Zylinderschraube	Socket head screw
10	900933359	1	Sechskantschraube	Hex. cap screw	21	Z137A-52.00	1	Stabstahlmesser kpl.	Bar shear blade compl.
					22	Z137A-52.02	1	Stabstahlmesser bewegl.	Bar shear blade, movable
						Z137A-52.01	1	Stabstahlmesser fest	Bar shear blade, stationary

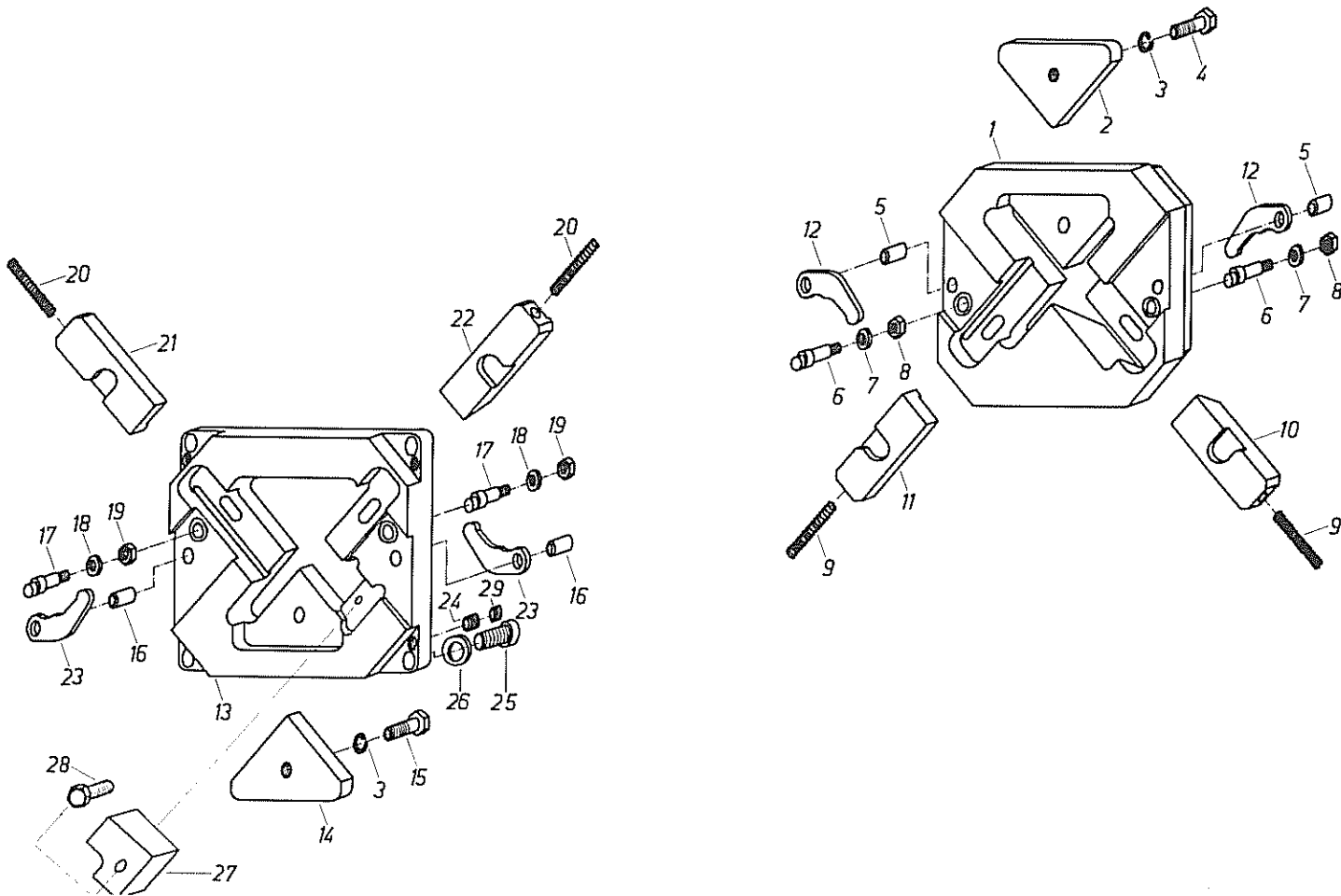


53

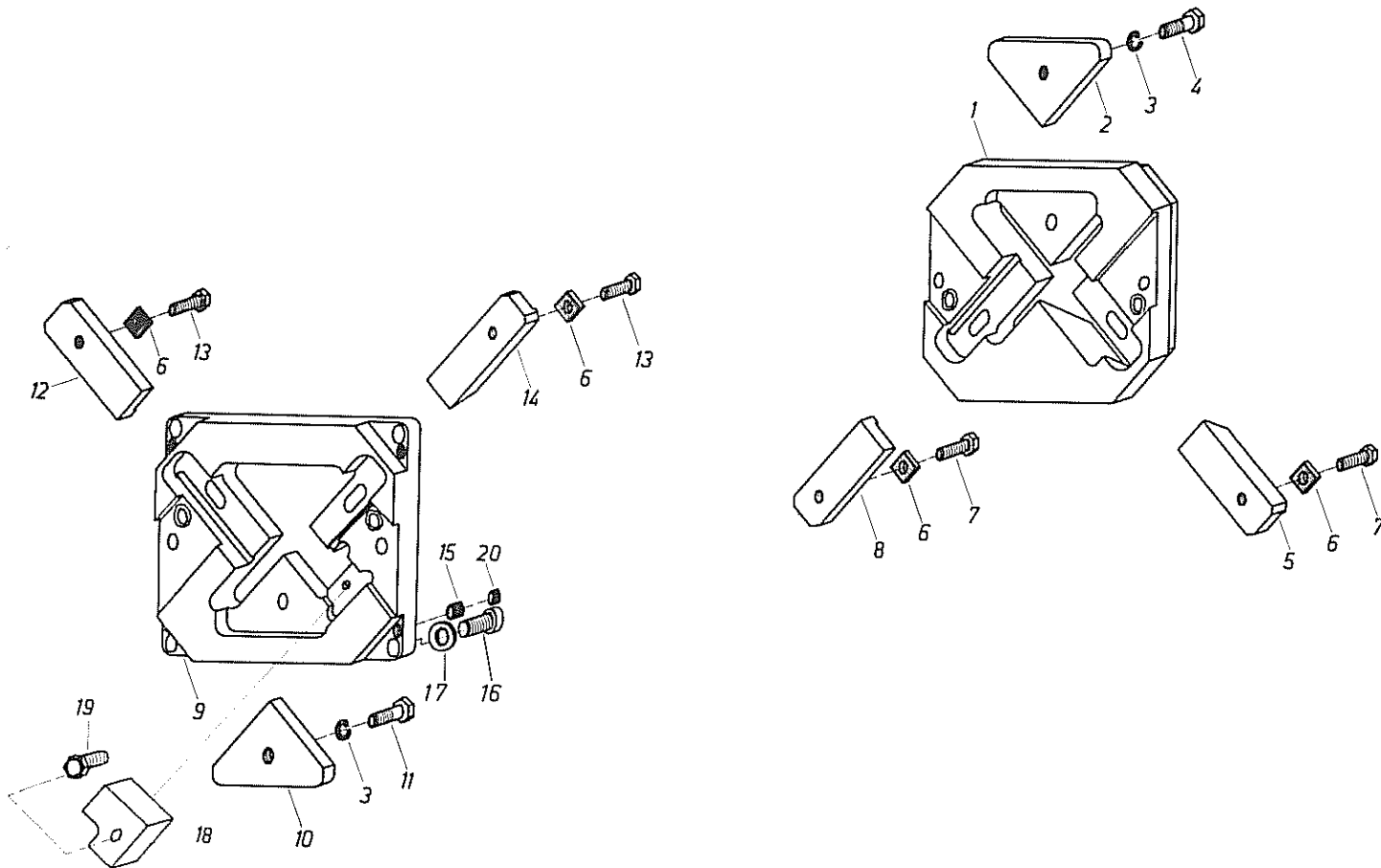


54

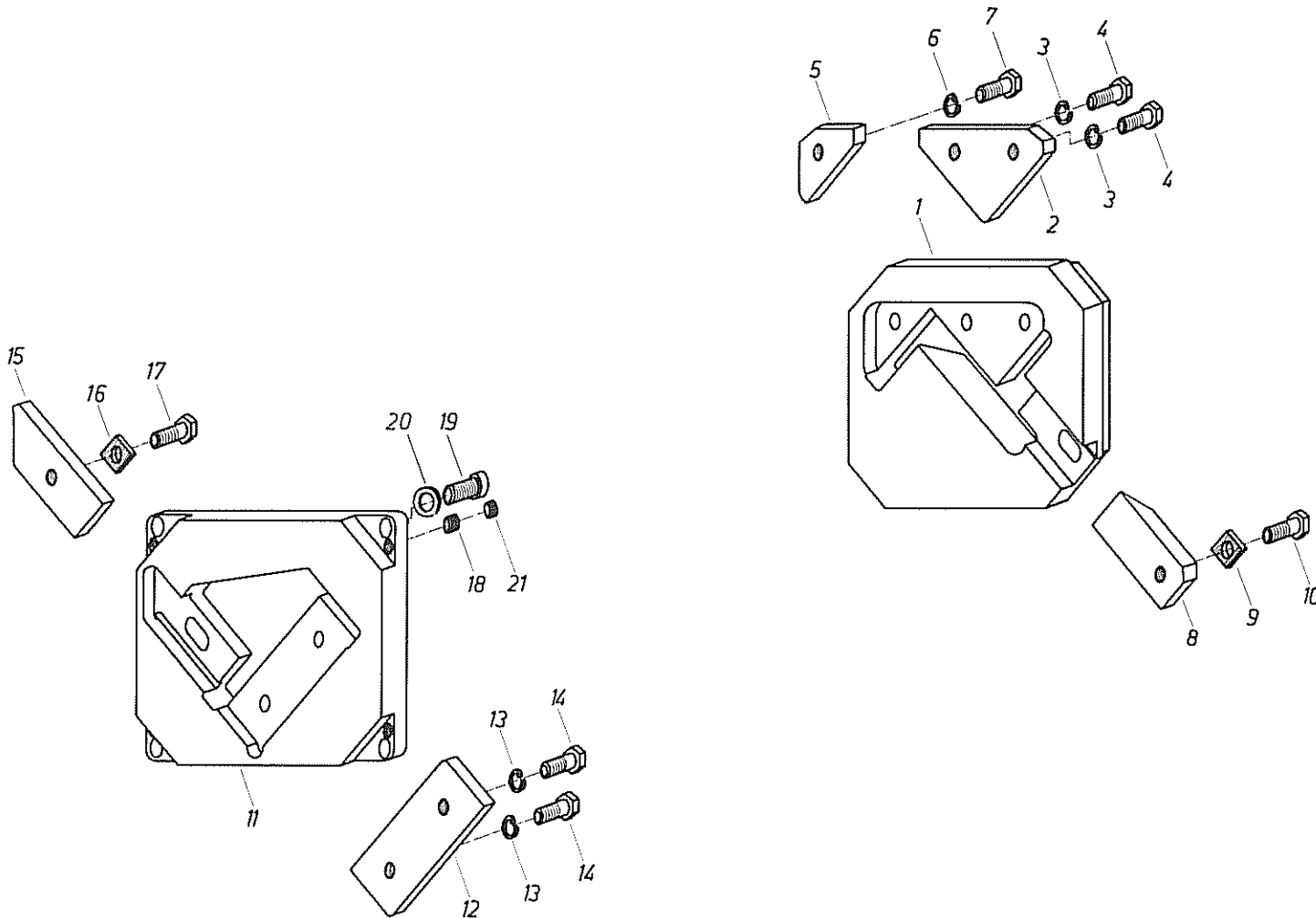
Pos. Item	Artikel-Nr. Article-No.	Stück./ Masch. Quantity required	Benennung	Nomenclature	Pos. Item	Artikel-Nr. Article-No.	Stück./ Masch. Quantity required	Benennung	Nomenclature
	Z137A-53.00	1	Rechteck-Klinkwerkzeug kpl.	Coper-notcher assembly compl.		Z137A-54.00	1	Dreieck-Klinkwerkzeug kpl.	Triangular notching assembly compl.
1	Z137-53.03	1	Obermesser	Rectangular coping blade, top	15	Z137-54.03	1	Obermesser	Triangular notching blade, top
2	90798021	1	Federring	Lock washer	16	90798021	1	Federring	Lock washer
3	900912353	1	Zylinderschraube	Socket head screw	17	900912353	1	Zylinderschraube	Socket head screw
4	90148160	1	Spannhülse	Tension pin	18	90148160	1	Spannhülse	Tension pin
5	90050845	4	Nutstein	Tee nut	19	90050845	4	Nutstein	Tee nut
6	Z137A-53.01	1	Ausklingsattel	Rectangular coping saddle	20	Z137A-54.01	1	Ausklingsattel	Triangular notching saddle
7	900912451	2	Zylinderschraube	Socket head screw	21	900912451	2	Zylinderschraube	Socket head screw
8	90798034	4	Federring	Lock washer	22	90798034	4	Federring	Lock washer
9	906912453	2	Zylinderschraube	Socket head screw	23	906912453	2	Zylinderschraube	Socket head screw
10	90091343	4	Gewindestift	Socket set screw	24	90091343	4	Gewindestift	Socket set screw
11	Z135-53.02	2	Untermesser seitlich	Rectangular coping blade, side	25	Z137-54.02	2	Untermesser seitlich	Triangular notching blade, side
12	900912412	2	Zylinderschraube	Socket head screw	26	906912403	2	Zylinderschraube	Socket head screw
13	Z137-53.02	1	Untermesser vorn	Rectangular coping blade, front	27	Z135-54.03	1	Untermesser vorn	Triangular notching blade, front
14	906912403	1	Zylinderschraube	Socket head screw	28	906912403	1	Zylinderschraube	Socket head screw



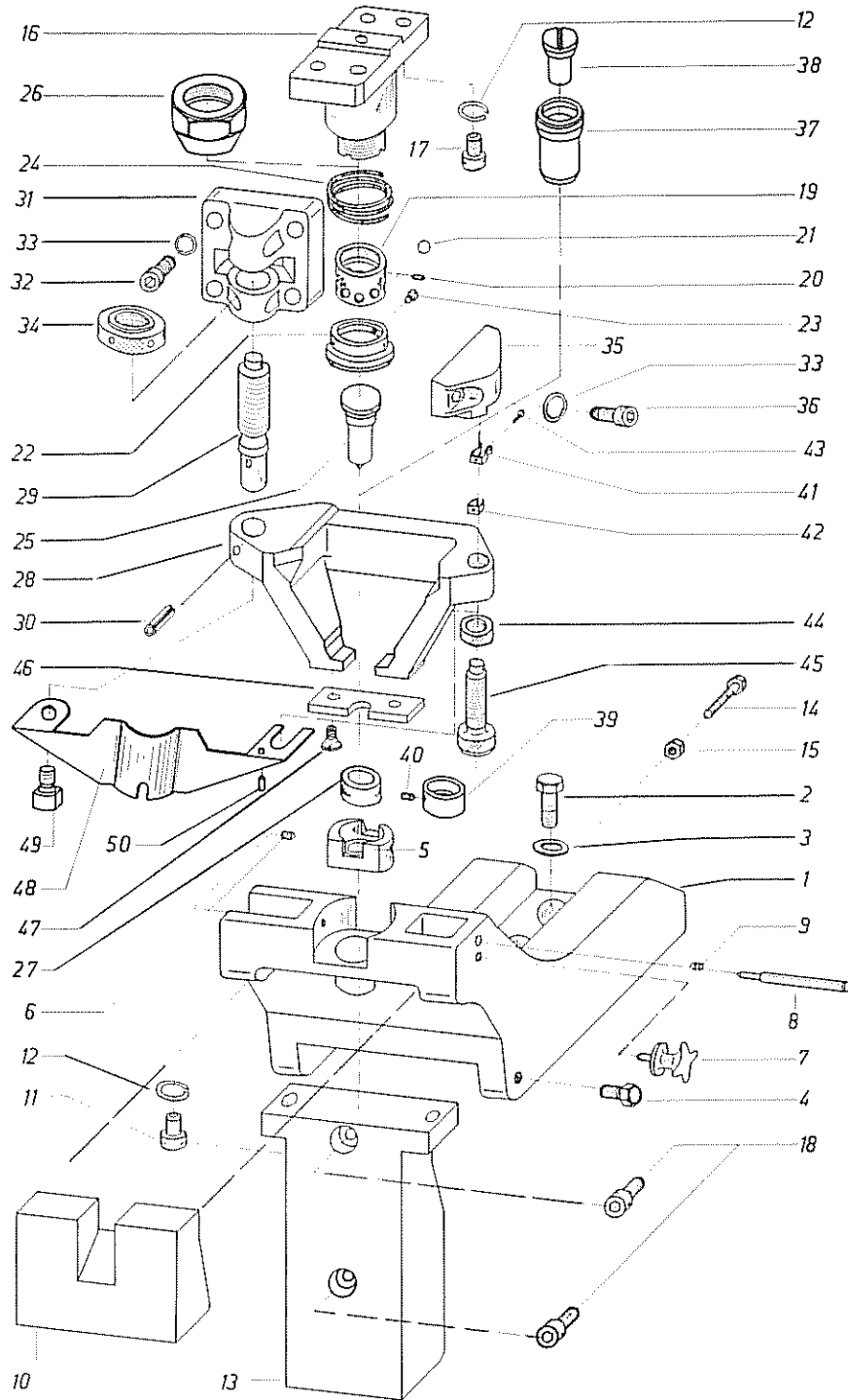
Pos. Item	Artikel-Nr. Article-No.	Stück./ Masch. Quantity required	Benennung	Nomenclature	Pos. Item	Artikel-Nr. Article-No.	Stück./ Masch. Quantity required	Benennung	Nomenclature
1	Z137A-55.00	1	Profilmesser PMA kpl.	Section shear, PMA compl.	16	Z137-55.07	2	Zylinderstift	Dowel pin
2	Z137A-55.02	1	Profilmesser beweglich	Section knife block, movable	17	Z137-55.08	2	Einstelllexzenter	Adjusting eccentric
3	Z137A-55.03	1	Einsatzmesser Nr. 2	Triangular blade No. 2	18	90012537	2	Scheibe	Washer
4	90012727	2	Federring	Lock washer	19	90093625	2	Sechskantmutter	Hex. nut
5	900931401	1	Sechskantschraube	Hex. cap screw	20	Z135-55.05	2	Druckfeder	Spring
6	Z137-55.07	2	Zylinderstift	Dowel pin	21	Z137-55.03	1	Schiebemeßer Nr. 1	Sliding blade No. 1
7	Z137-55.08	2	Einstelllexzenter	Adjusting eccentric	22	Z137-55.04	1	Schiebemeßer Nr. 2	Sliding blade No. 2
8	90012537	2	Scheibe	Washer	23	Z137-55.06	2	Schiebehebel	Travel lever
9	90093625	2	Sechskantmutter	Hex. nut	24	Z137A-55.07	4	Gewindestift	Slotted set screw
10	Z135-55.05	2	Druckfeder	Spring	25	906912501	4	Zylinderschraube	Socket head screw
11	Z137-55.10	1	Schiebemeßer Nr. 3	Sliding blade No. 3	26	Z135A-55.04	4	Tellerfeder	Spring washer
12	Z137-55.11	1	Schiebemeßer Nr. 4	Sliding blade No. 4	27	Z137A-55.01	1	Einsatz f. Profilmesser fest	Inst. f. sectn. knife block, stat.
13	Z137-55.06	2	Schiebehebel	Travel lever	28	900933410	1	Sechskantschraube	Hex. cap screw
14	Z137A-55.01	1	Profilmesser fest	Section knife block, stationary	29	Z137A-55.08	4	Konterkappe	Locking screw
15	Z137-55.02	1	Einsatzmesser Nr. 1	Triangular blade No. 1					
16	900931401	1	Sechskantschraube	Hex. cap screw					



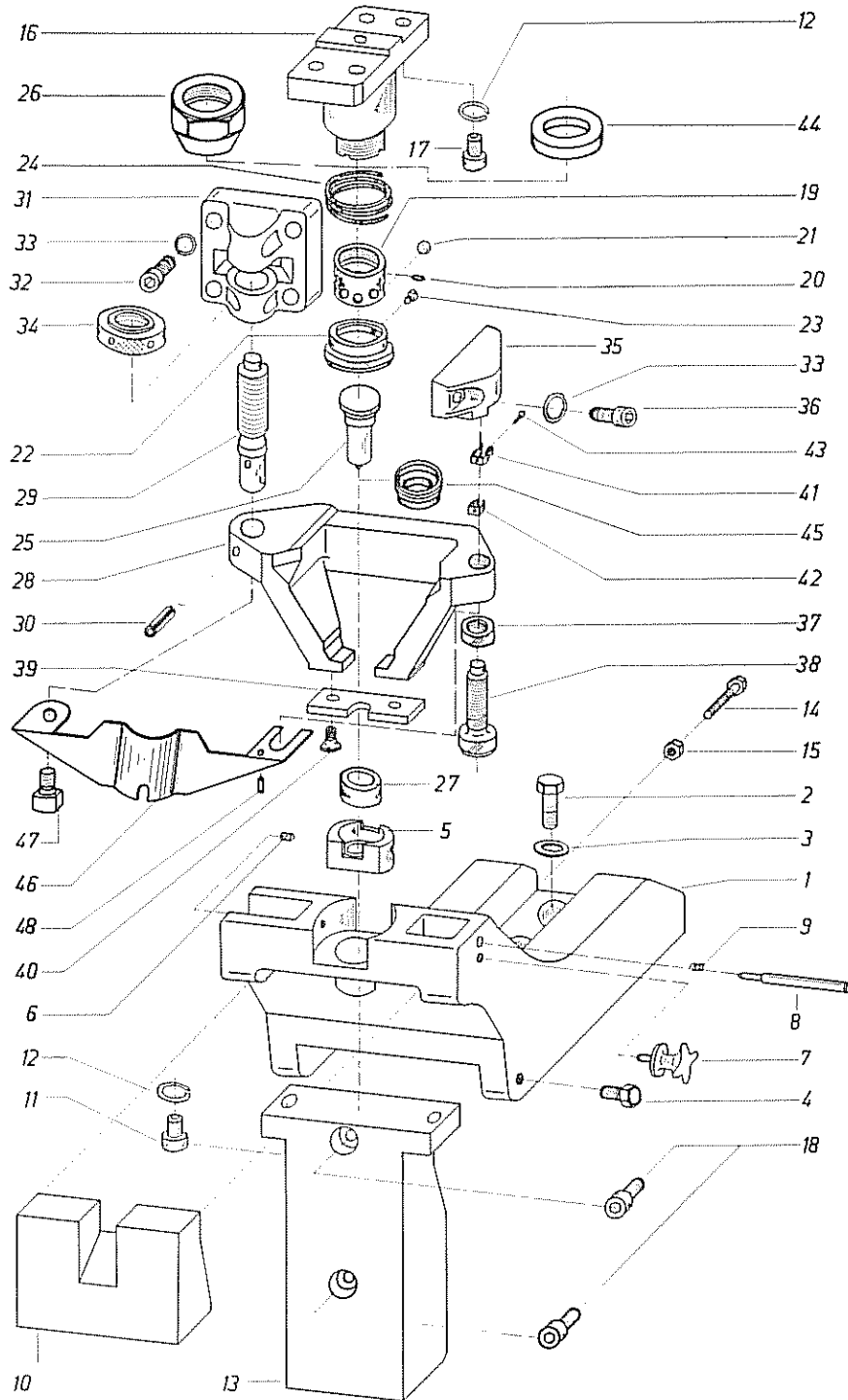
Pos. Item	Artikel-Nr. Article-No.	Stück./ Mensch. Quantity required	Benennung	Nomenclature	Pos. Item	Artikel-Nr. Article-No.	Stück./ Mensch. Quantity required	Benennung	Nomenclature
1	Z137A-56.00	1	Profilmesser PMB kpl.	Section shear, PMB compl.	11	900931401	1	Sechskantschraube	Hex. cap screw
2	Z137A-55.02	1	Profilmesser beweglich	Section knife block, movable	12	Z137-56.01	1	Schiebemesser Nr. 1	Sliding blade No. 1
3	Z137A-55.03	1	Einsatzmesser Nr. 2	Triangular blade No. 2	13	900931353	2	Sechskantschraube	Hex. cap screw
4	90012727	2	Federring	Lock washer	14	Z137-56.02	1	Schiebemesser Nr. 2	Sliding blade No. 2
5	900931401	1	Sechskantschraube	Hex. cap screw	15	Z137A-55.07	4	Gewindestift	Slotted set screw
6	Z137-56.03	1	Schiebemesser Nr. 3	Sliding blade No. 3	16	906912501	4	Zylinderschraube	Socket head screw
7	M51007-2	4	Sicherungsscheibe	Serrated washer	17	Z135A-55.04	4	Tellerfeder	Spring washer
8	900931353	2	Sechskantschraube	Hex. cap screw	18	Z137A-55.04	1	Einsatz für Profilmesser fest	Inst. f. sectn. knife block, stat.
9	Z137-56.04	1	Schiebemesser Nr. 4	Sliding blade No. 4	19	900933410	1	Sechskantschraube	Hex. cap screw
10	Z137A-55.01	1	Profilmesser fest	Section knife block, stationary	20	Z137A-55.08	4	Konterkappe	Locking screw
	Z137-55.02	1	Einsatzmesser Nr. 1	Triangular blade No. 1					



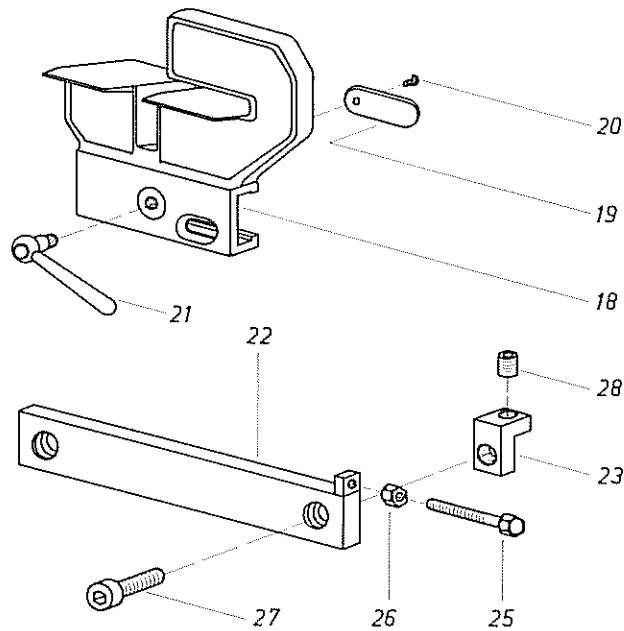
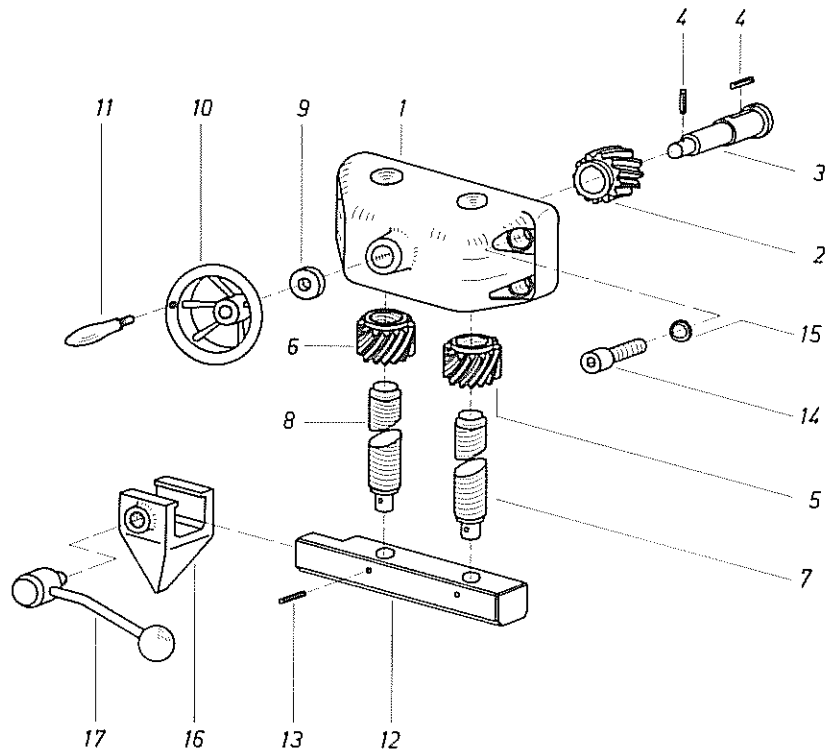
Pos. Item	Artikel-Nr. Article-No.	Stck./ Masch. Quantity required	Benennung	Nomenclature	Pos. Item	Artikel-Nr. Article-No.	Stck./ Masch. Quantity required	Benennung	Nomenclature
1	Z137A-57.00	1	Profilmesser PMG kpl.	Section shear, PMG compl.	11	Z137A-57.01	1	Profilmesser fest	Section knife block, stationary
	Z137A-57.03	1	Profilmesser beweglich	Section knife block, movable	12	Z137A-57.02	1	Einsatzmesser	Rectangular blade
2	Z137A-57.04	1	Einsatzmesser	Triangular blade, large	13	90012727	2	Federring	Lock washer
3	90012727	2	Federring	Lock washer	14	900931401	2	Sechskantschraube	Hex. cap screw
4	900931401	2	Sechskantschraube	Hex. cap screw	15	Z137-57.03	1	Schiebemesser	Sliding blade
5	Z137A-57.05	1	Einsatzmesser	Triangular blade, small	16	M51007-3	1	Sicherungsscheibe	Serrated washer
6	90012727	1	Federring	Lock washer	17	900931401	1	Sechskantschraube	Hex. cap screw
7	900931401	1	Sechskantschraube	Hex. cap screw	18	Z137A-55.07	4	Gewindestift	Slotted set screw
8	Z137-57.07	1	Schiebemesser	Sliding blade	19	906912501	4	Zylinderschraube	Socket head screw
9	M51007-3	1	Sicherungsscheibe	Serrated washer	20	Z135A-55.04	4	Tellerfeder	Spring washer
10	900931401	1	Sechskantschraube	Hex. cap screw	21	Z137A-55.08	4	Konterkappe	Locking screw



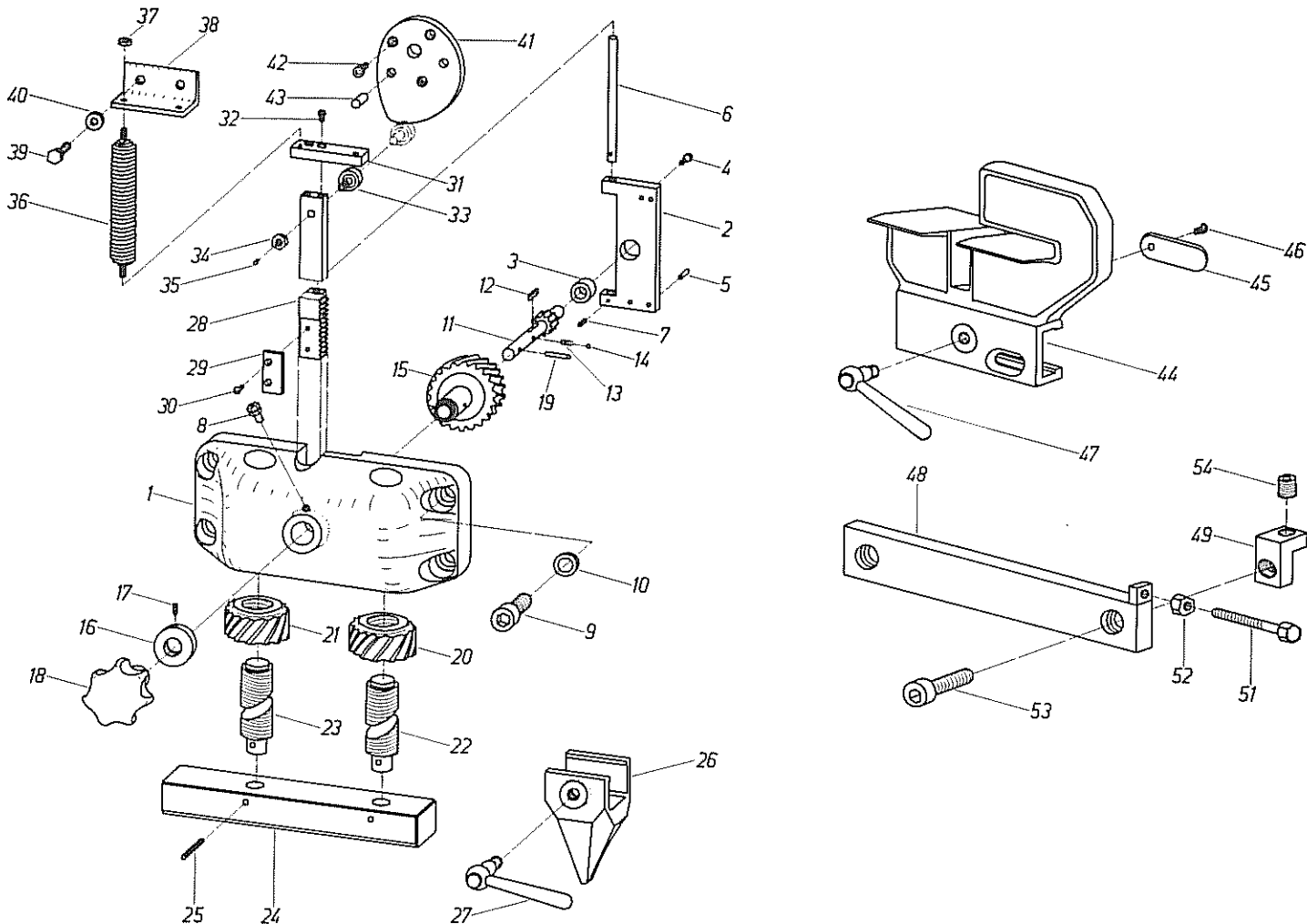
Pos. Item	Artikel-Nr. Article-No.	Stück./ Masch. Quantity required	Benennung	Nomenclature	Pos. Item	Artikel-Nr. Article-No.	Stück./ Masch. Quantity required	Benennung	Nomenclature
1	Z137A-59.01	1	Stanzsattel	Die saddle	26	M50506-4	1	Überwurfmutter	Coupling nut
2	900933557	2	Sechskantschraube	Hex. cap screw	27	M50639-0-	1	Rundmatrize	Round die
3	90012557	2	Scheibe	Washer	28	Z137A-65.01	1	Abstreifer	Stripper
4	900933410	2	Sechskantschraube	Hex. cap screw	29	Z135A-65.01	1	Abstreiferspindel	Stripper spindle
5	Z137A-59.02	1	Sattelleinsatz	Die saddle insert	30	90148159	1	Spannhülse	Tension pin
6	90091442	1	Gewindestift	Socket set screw	31	Z135-65.11	1	Böckchen für Handrad	Stripper spindle bracket
7	Z135A-59.03	1	Spanngriff	Star knob	32	900912401P	4	Zylinderschraube	Socket head screw, special
8	Z137A-59.03	1	Zentrierstift	Pin	33	810690004	6	DUBO-Sicherung	Nylon washer
9	Z135A-59.05	1	Druckfeder	Spring	34	Z135-65.03	1	Handrad	Adjusting nut
10	Z137A-59.04	1	Sattelunterstützung	Intermediate saddle support	35	Z135A-65.03	1	Abstützböckchen	Stripper lock bracket
11	900912406	2	Zylinderschraube	Socket head screw	36	900912401P	2	Zylinderschraube	Socket head screw, special
12	90798027	6	Federring	Lock washer	37	M50531-4	1	Einsatzbuchse	Punch reducer
13	Z137A-59.05	1	Sattelleinsatz	Lower saddle support	38	M50529	1	Stempel-Bellage	Shim
14	900933417	2	Sechskantschraube	Hex. cap screw	39	M50606-2	1	Matrizenhalter	Dieholder
15	90093625	2	Sechskantmutter	Hex. nut	40	90055362	1	Gewindestift	Slotted set screw
16	Z137A-59.06	1	Stempelhalter	Punch holder	41	Z131-65.10	1	Klemmfeder innen	Clamp, inner
17	900912402	4	Zylinderschraube	Socket head screw	42	Z131-65.11	1	Klemmfeder außen	Clamp, outer
18	900912454	2	Zylinderschraube	Socket head screw	43	90008421	1	Zylinderschraube	Slotted head screw
19	Z137A-59.07	1	Zentriererring	Centering ring	44	Z135-65.08	1	Rändelmutter	Knurled lock nut
20	90091421	1	Gewindestift	Socket set screw	45	Z137A-65.02	1	Rändelschraube	Knurled stop adjusting screw
21	90540135	12	Kugel	Steel ball	46	Z137A-65.03	1	Abstreiferplatte	Stripper plate
22	Z137A-59.08	1	Außenring	Clamping ring	47	90096342	2	Senkschraube	Countersunk screw
23	Z135A-59.11	1	Gewindestift	Slotted head set screw	48	Z137A-100.01	1	Schutzvorrichtung	Punch guard
24	Z137A-59.09	1	Druckfeder	Spring	49	Z131A-100.02	1	Führungsschraube	Shoulder screw
25	M50505-3-	1	Stempel	Punch	50	90148104	1	Spannhülse	Tension pin



Pos. Item	Artikel-Nr. Article-No.	Stück./ Masch. Quantity required	Benennung	Nomenclature	Pos. Item	Artikel-Nr. Article-No.	Stück./ Masch. Quantity required	Benennung	Nomenclature
1	ZK20-374	1	Stanzsattel	Die saddle	24	Z137A-59.09	1	Druckfeder	Spring
2	900933557	2	Sechskantschraube	Hex. cap screw	25	M50534-2-	1	Stempel	Punch
3	90012557	2	Scheibe	Washer	26	M50535-3	1	Überwurfmutter	Coupling nut
4	900933410	2	Sechskantschraube	Hex. cap screw	27	M50860-2-	1	Rundmatrize	Round die
5	ZK20-356	1	Sattelleinsatz	Die saddle insert	28	Z137A-65.01	1	Abstreifer	Stripper
6	90091442	1	Gewindestift	Socket head screw	29	Z135A-65.01	1	Abstreiferspindel	Stripper spindle
7	Z135A-59.03	1	Spanngriff	Star knob	30	90148159	1	Spannhülse	Tension pin
8	ZK20-371	1	Zentrierstift	Pin	31	Z135-65.11	1	Böckchen für Handrad	Stripper spindle bracket
9	Z135A-59.05	1	Druckfeder	Spring	32	900912401P	4	Zylinderschraube	Socket head screw, special
10	Z137A-59.04	1	Satteluntersstützung	Intermediate saddle support	33	810600004	6	DUBO-Sicherung	Nylon washer
11	900912406	2	Zylinderschraube	Socket head screw	34	Z135-65.03	1	Handrad	Adjusting nut
12	90798027	6	Federring	Lock washer	35	Z135-65.08	1	Abstützböckchen	Stripper lock bracket
13	Z137A-59.05	1	Sattelleinsatz	Lower saddle support	36	900912401P	2	Zylinderschraube	Socket head screw, special
14	900933417	2	Sechskantschraube	Hex. cap screw	37	Z135-65.08	1	Rändelmutter	Knurled lock nut
15	90093625	2	Sechskantmutter	Hex. nut	38	Z137A-65.02	1	Rändelschraube	Knurled stop adjusting screw
16	ZK20-355	1	Stempelhalter	Punch holder	39	Z137A-65.03	1	Abstreiferplatte	Stripper plate
17	900912402	4	Zylinderschraube	Socket head screw	40	90096342	2	Senkschraube	Countersunk screw
18	900912454	2	Zylinderschraube	Socket head screw	41	Z131-65.10	1	Klemmfeder innen	Clamp, inner
19	Z137A-59.07	1	Zentriererring	Centering ring	42	Z131-65.11	1	Klemmfeder außen	Clamp, outer
20	90091421	1	Gewindestift	Socket set screw	43	90008421	1	Zylinderschraube	Slotted head screw
21	90540135	1	Kugel	Steel ball	46	Z137A-100.01	1	Schutzvorrichtung	Punch guard
22	Z137A-59.08	1	Außenring	Clamping ring	47	Z131A-100.02	1	Führungsschraube	Shoulder screw
23	Z135A-59.11	1	Gewindestift	Slotted head set screw	48	90148104	1	Spannhülse	Tension pin

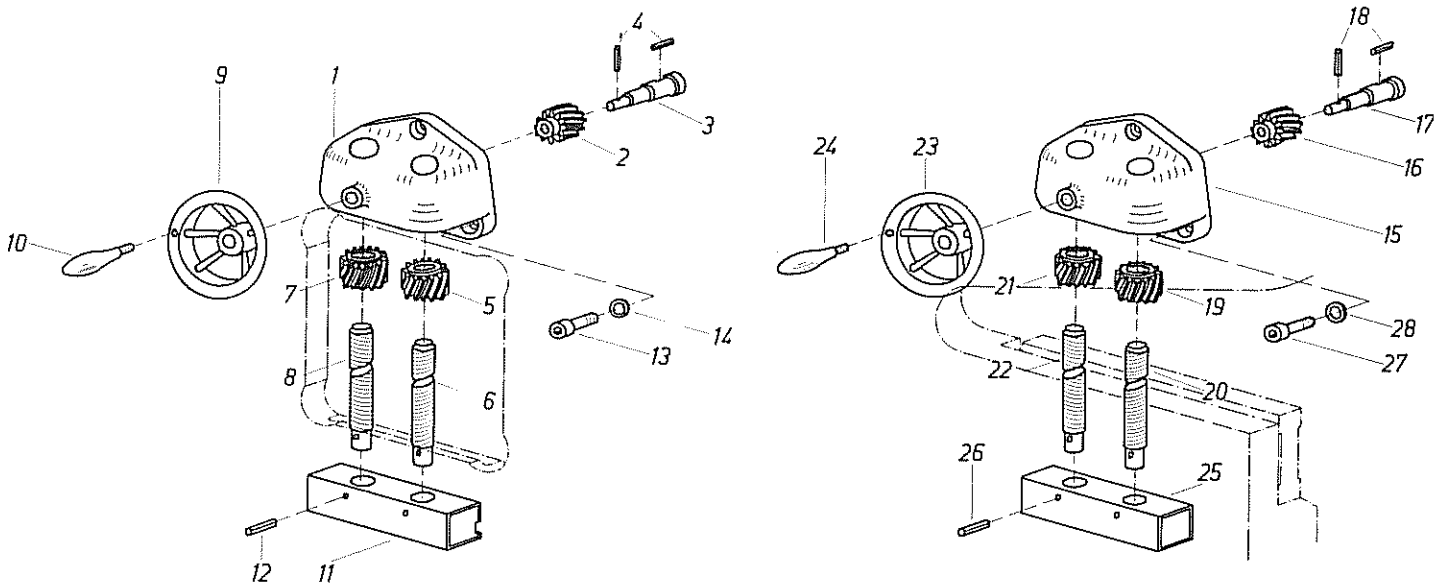


Pos. Item	Artikel-Nr. Article-No.	Stck./ Masch. Quantity required	Benennung	Nomenclature	Pos. Item	Artikel-Nr. Article-No.	Stck./ Masch. Quantity required	Benennung	Nomenclature
	Z137A-63.00	1	Profilniederhalter kpl.	Section shear, hold-down compl.	15	810500005	4	DUBO-Sicherung	Nylon washer
1	Z133-63.01	1	Niederhalterbock	Hold down housing	16	Z135A-68.01	1	Druckstück	Thrust block
2	Z133-63.10	1	Ritzelwelle	Pinion shaft	17	810600018	1	verstellbarer Kegelgriff	Adjustable handle
4	90734635	1	Spannhülse	Tension pin		Z137A-64.00	1	Profilanschlag kpl.	Mitre guide, sectn. shear compl.
5	Z133-63.02	1	Schraubenrad rechts	Helical gear, right	18	Z135A-64.01	1	Profilanschlag	Mitre guide
6	Z133-63.03	1	Schraubenrad links	Helical gear, left	19	Z133-64.05	1	Federblech	Spring plate
7	Z137-63.01	1	Spindel rechts	Spindle, right	20	810600012	1	Hammerschraube	Drive screw
8	Z137-63.02	1	Spindel links	Spindle, left	21	810600018	1	verstellbarer Kegelgriff	Adjustable handle
9	90902137	1	Scheibe	Washer	22	Z137A-64.01	1	Anschlagleiste	Mitre guide rail
10	90095032	1	Handrad kpl.	Handwheel compl.	23	Z131A-64.02	2	Schieber	Bracket
11	90009835	1	drehbarer Ballgriff	Handle	25	900933371	1	Sechskantschraube	Hex. cap screw
12	Z135-63.03	1	Querbalken	Hold down bar	26	90093435	1	Sechskantmutter	Hex. nut
13	90148147	2	Spannhülse	Tension pin	27	906912451	2	Zylinderschraube	Socket head screw
14	900912451P	4	Zylinderschraube	Socket head screw, special	28	90091361	2	Gewindestift	Socket set screw

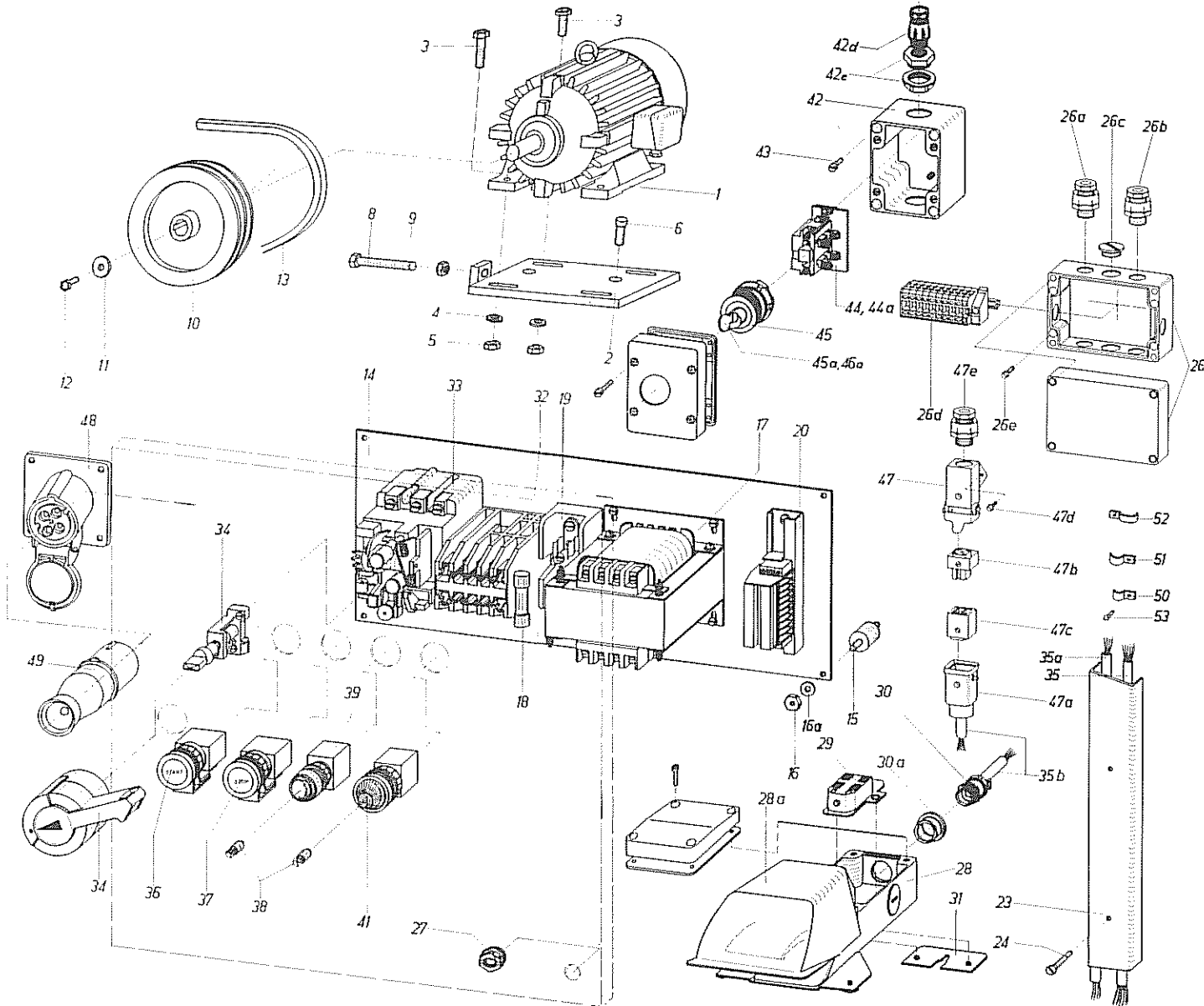


Pos. Item	Artikel-Nr. Article-No.	Stück./ Masch. Quantity required	Benennung	Nomenclature	Pos. Item	Artikel-Nr. Article-No.	Stück./ Masch. Quantity required	Benennung	Nomenclature
	Z137A-68.00	1	Autom. Profilniederhalter kpl.	Autom. Hold-down, sectn. shear compl.	28	Z137A-68.01	1	Zahnstange	Gear rack
1	Z133A-68.01	1	Niederhalterbock	Hold-down housing	29	Z133A-68.09	1	Sicherungsblech	Plate
2	Z133A-68.02	1	Bodenplatte	Shaft support plate	30	90096332	2	Senkschraube	Countersunk screw
3	Z133A-68.03	1	Buchse	Bronze bushing	31	Z135A-68.03	1	Federbefestigung	Bar
4	900912203	2	Zylinderschraube	Socket head screw	32	906912253	2	Zylinderschraube	Socket head screw
5	90000723	2	Zylinderstift	Dowel pin	33	810600019	1	Kurvenrolle	Cam roller
6	Z133A-68.04	1	Führungsdorn	Guide pin	34	90093432	1	Sechskantmutter	Hex. nut
7	90146111	1	Spannhülse	Tension pin	35	811100010	1	Einschlagnippel	Oil fitting
8	811100001	40	Einschraubnippel	Straight oil fitting	36	Z133A-68.10	2	Zugfeder	Spring
9	900912455/P	4	Zylinderschraube	Socket head screw, special	37	90093425	6	Sechskantmutter	Hex. nut
10	810600005	4	DUBO-Sicherung	Nylon washer	38	Z135A-68.04	1	Spannwinkel	Spring bracket
11	Z133A-68.05	1	Ritzelwelle	Pinion shaft	39	900933306	2	Sechskantschraube	Hex. cap screw
12	90688505	1	Paßfeder	Key	40	90012527	2	Scheibe	Washer
13	Z133A-68.06	1	Druckfeder	Spring	41	Z135A-68.05	1	Kurvenscheibe	Cam
14	90540123	1	Kugel	Steel ball	42	906912253	3	Zylinderschraube	Socket head screw
15	Z133A-68.07	1	Schaftritzel	Gear	43	90000752	2	Zylinderstift	Dowel pin
16	Z133A-68.08	1	Einstellmutter	Locking ring		Z137A-64.00	1	Profilanschlag kpl.	Mitre guide, sectn. shear compl.
17	90091423	1	Gewindestift	Socket set screw	44	Z135A-64.01	1	Profilanschlag	Mitre guide
18	90633673	1	Sterngriff	Star knob	45	Z133-64.05	1	Federblech	Spring plate
19	90148132	1	Spannhülse	Tension pin	46	810600012	1	Hammerschraube	Drive screw
20	Z133-63.02	1	Schraubenrad rechts	Helical gear, right	47	810600018	1	verstellbarer Kegeigriff	Adjustable handle
21	Z133-63.03	1	Schraubenrad links	Helical gear, left	48	Z137A-64.01	1	Anschlagleiste	Mitre guide rail
22	Z137-63.01	1	Spindel rechts	Spindle, right	49	Z131A-64.02	2	Schieber	Bracket
23	Z137-63.02	1	Spindel links	Spindle, left	51	900933371	1	Sechskantschraube	Hex. cap screw
24	Z135-63.03	1	Querblock	Hold-down bar	52	90093435	1	Sechskantmutter	Hex. nut
25	90148146	2	Spannhülse	Tension pin	53	906912451	2	Zylinderschraube	Socket head screw
26	Z135A-68.01	1	Druckstück	Thrust block	54	90091361	2	Gewindestift	Socket set screw
27	810600018	1	verstellbarer Kegeigriff	Adjustable handle					

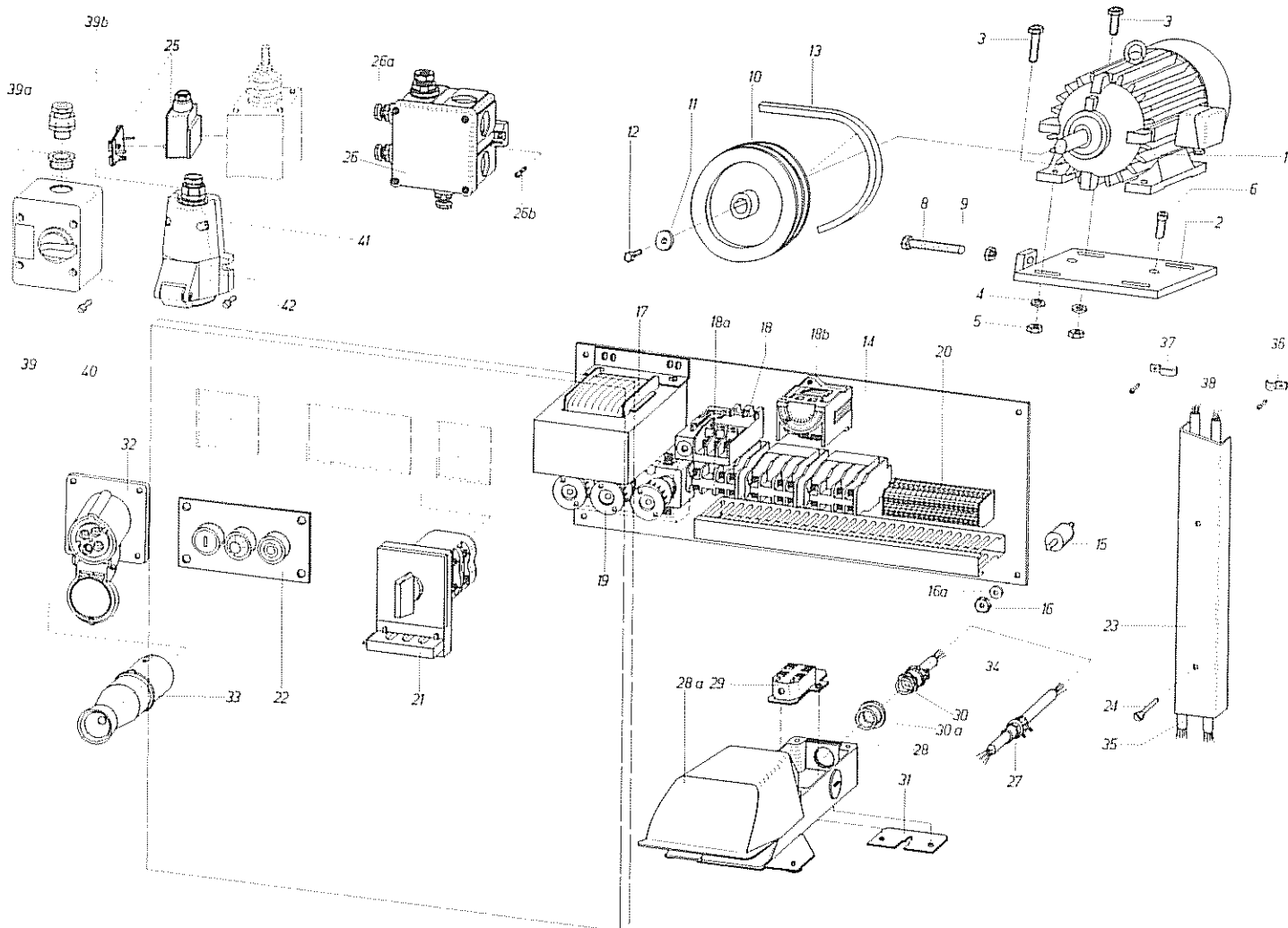




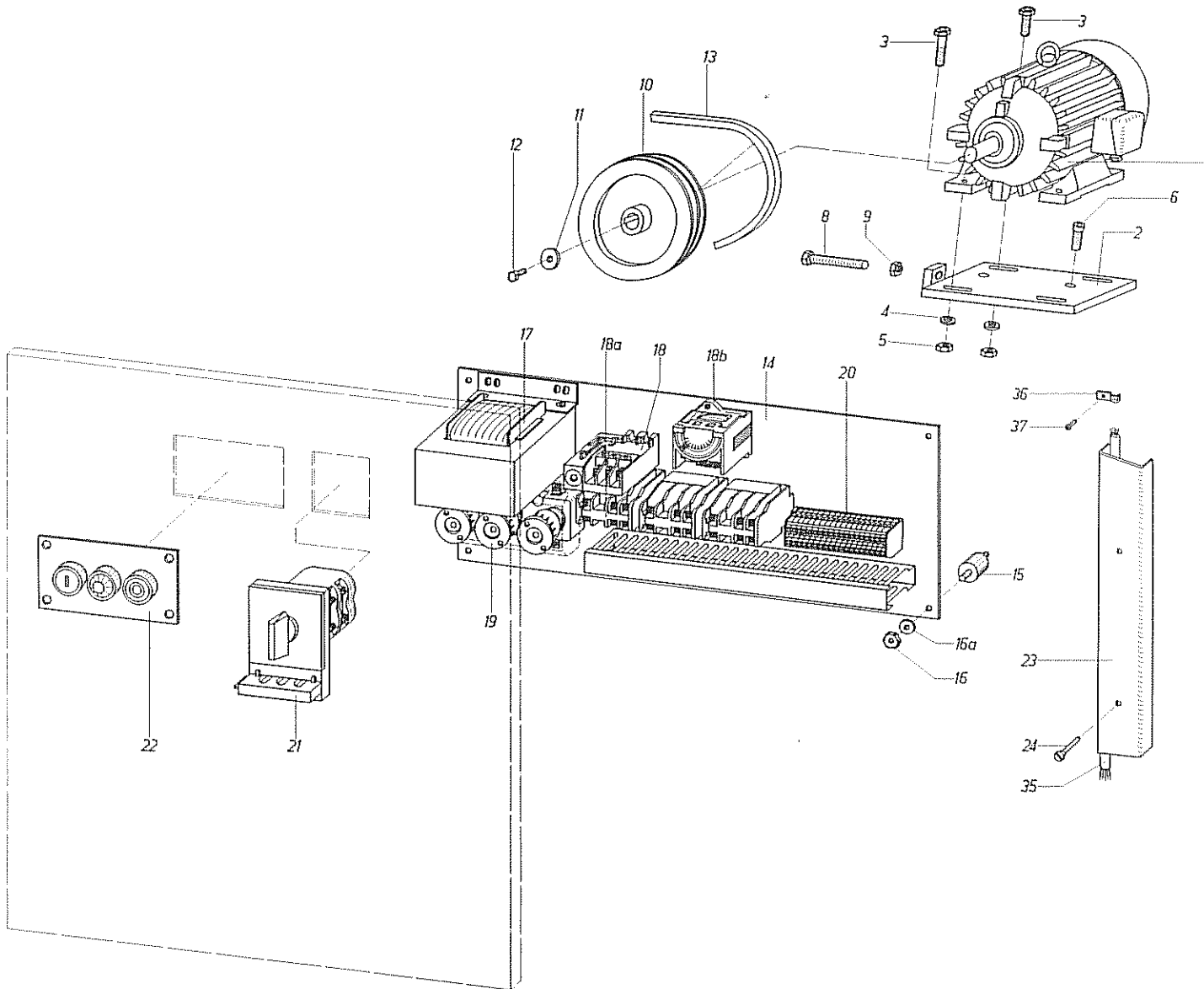
Pos. Item	Artikel-Nr. Article-No.	Stück./ Masch. Quantity required	Benennung	Nomenclature	Pos. Item	Artikel-Nr. Article-No.	Stück./ Masch. Quantity required	Benennung	Nomenclature
	Z137A-62.00	1	Stabstahlniederhalter kpl.	Hold-down, bar shear compl.		Z135A-61.00	1	Blechniederhalter kpl.	Hold-down, plate shear compl.
1	Z135-620.01	1	Niederhalterbock	Hold-down housing	15	Z131-630.01	1	Niederhalterbock	Hold-down housing
2	Z133-62.10	1	Schraubenrad	Gear	16	Z131-630.02	1	Schraubenrad	Gear
3	Z133-62.13	1	Welle	Shaft	17	Z131-610.03	1	Welle	Shaft
4	90734625	2	Spannhülse	Tension pin	18	90734615	2	Spannhülse	Tension pin
5	Z133-62.11	1	Schraubenrad rechts	Helical gear, right	19	Z131-610.04	1	Schraubenrad rechts	Helical gear, right
6	Z137-62.01	1	Spindel rechts	Spindle, right	20	Z135-610.01	1	Spindel rechts	Spindle, right
7	Z133-62.12	1	Schraubenrad links	Helical gear, left	21	Z131-610.05	1	Schraubenrad links	Helical gear, left
8	Z137-62.02	1	Spindel links	Spindle, left	22	Z135-610.02	1	Spindel links	Spindle, left
9	810600029	1	Handrad kpl.	Handwheel compl.	23	90095022	1	Handrad kpl.	Handwheel compl.
10	90099835	1	drehbarer Ballgriff	Handle	24	90099825	1	drehbarer Ballgriff	Handle
11	Z133-62.04	1	Querbalken	Hold-down bar	25	Z135-610.03	1	Querbalken	Hold-down bar
12	90148133	2	Spannhülse	Tension pin	26	90148133	2	Spannhülse	Tension pin
13	9079844001P	3	Zylinderschraube	Socket head screw, special	27	9079843501P	3	Zylinderschraube	Socket head screw, special
14	810600004	3	DUBO-Sicherungen	Nylon washer	28	810600003	3	DUBO-Sicherungen	Nylon washer



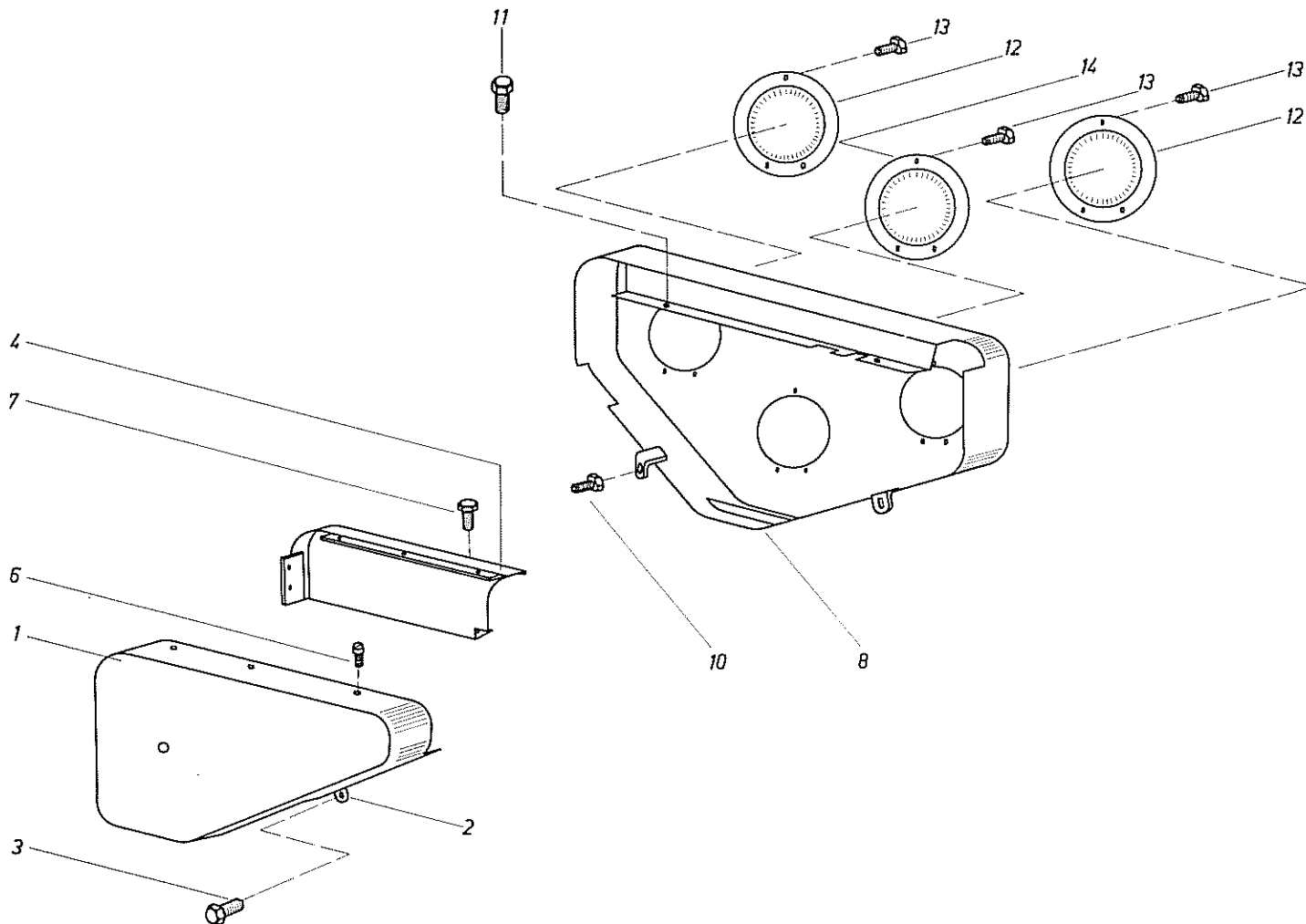
Pos. Item	Artikel-Nr. Article-No.	Stück/Masch. Quantity required	Benennung	Nomenclature	Pos. Item	Artikel-Nr. Article-No.	Stück/Masch. Quantity required	Benennung	Nomenclature
1	810100066	1	Motor	Motor	32	810100037	1	Schütz	Magnetic contactor
2	Z137A-71.04	1	Motorconsole	Motor base plate	33	810100040	1	Schalter ohne Antrieb	Main disconnect switch
3	900931303	4	Sechskantschraube	Hex. cap screw	34	810100041	1	Schalter	Switch handle assembly
4	90012527	4	Scheibe	Washer	35	810100026	/m	Leitung NYMi	6 wire cable
5	90093431	4	Sechskantmutter	Hex. nut	35a	810100027	/m	Leitung NYMi	4 wire cable
6	900912354	2	Zylinderschraube	Socket head screw	35b	810100025	/m	Leitung „Sylflex sy“	„Sylflex sy“ line
8	900933364	1	Sechskantschraube	Hex. cap screw	36	810100044	1	Drucktaster „Start“	Start switch
9	90093621	1	Sechskantmutter	Hex. nut	37	810100045	1	Drucktaster „Stop“	Stop switch
10	Z137A-71.05	1	Motorriemenscheibe	Vee belt pulley	38	810100046	2	Kontrollleuchte	Bulb, ground
11	Z137A-71.03	1	Deckscheibe	Cap	39	810100047	1	Leuchttaster	Ground light assy.
12	900933359	1	Sechskantschraube	Hex. cap screw	41	810100048	1	Leuchtmelder	Running light assy.
13	90221557	3	Keilriemen	Vee belt	42	810100049	2	Gehäuse für Schlüsselschalter	Switch box
14	Z131A-71.04	1	Gerätetafel	Mounting plate	42d	810100124	1	Verschraubung	Connector
15	810600021	4	Gummi-Rundlager	Grommet	42e	810100050	1	Reduzierung mit Gegenmutter	Reducer with nut
16	90093421	4	Sechskantmutter	Hex. nut	43	90008433	4	Zylinderschraube mit Schlitz	Slotted head screw
16a	90012517	4	Scheibe	Washer	44	810100051	1	Schalleinsatz	Contacteur
17	810100032	1	Steuertrafo	Transformer	44a	810100157	1	Wahlschalter	Position switch
18	810100033	1	Sicherung	Fuse	45	810100052	1	Schloßtaster zur Stanza	Lock assembly for punch
19	810100034	1	Sicherungselement	Fuse block	45a	810100053	1	Schlüssel	Key
20	810100035	1	Klemmleiste kpl.	Terminal block	46a	810100158	1	Schlüssel für Wahlschalter	Key for Position switch
23	Z137A-71.01	1	Kabelabdeckung	Protective cover	47	810100120	1	Sockelgehäuse	Socket housing
24	90096334	2	Senkschraube	Countersunk screw	47a	810100133	1	Tüllengehäuse	Socket housing
26	810100127	1	Abzweigdose	Junction box with cover	47b	810100121	1	Steckdoseneinsatz	Plug insert
26a	810100124	3	Verschraubung	Connector	47c	810100134	1	Steckereinsatz	Plug insert
26b	810100099	2	Verschraubung	Connector	47d	90008412	2	Zylinderschraube mit Schlitz	Slotted head screw
26c	810100125	3	Blindstopfen	Closure plug	47e	810100124	1	Verschraubung	Connector
26d	810100126	1	Klemmleiste	Terminal block	48	810100023	1	Steckdose	Socket
26e	90008423	2	Zylinderschraube mit Schlitz	Slotted head screw	49	810100024	1	Stecker	Plug
27	810100018	3	Verschraubung mit Zugenlastung	Connector	50	97257141	14	Befestigungsschelle	Clip
28	810100019	3	Fußtaster mit Klappe	Foot pedal with safety cover	51	97257151	4	Befestigungsschelle	Clip
28a	810100020	3	Schutzklappe	Safety cover	52	97257143	5	Befestigungsschelle	Clip
29	810100021	3	Schalttereinsatz	Switch	53	810600013	23	Hammerschraube	Drive screw
30	810100022	3	Verschraubung mit Zugenlastung	Connector					
30a	810100129	3	Reduziererring	Reducer ring					
31	Z131A-71.01	3	Aufhängeblech	Hanging plate					



Pos. Item	Artikel-Nr. Article-No.	Stück./ Masch. Quantity required	Benennung	Nomenclature	Pos. Item	Artikel-Nr. Article-No.	Stück./ Masch. Quantity required	Benennung	Nomenclature
1	810100065	1	Motor	Motor	26b	90096322	2	Senkschraube	Countersunk screw
2	Z137A-71.04	1	Motorkonsole	Motor base plate	27	810100018	3	Verschraubung mit Zugentlastung	Connector
3	900931303	4	Sechskantschraube	Hex. cap screw	28	810100019	3	Fußtaster mit Klappe	Foot pedal with safety cover
4	90012527	4	Scheibe	Washer	28a	810100020	3	Schutzklappe	Safety cover
5	90093431	4	Sechskantmutter	Hex. nut	29	810100021	3	Schalteinsatz	Switch
6	906912354	2	Zylinderschraube	Socket head screw	30	810100022	3	Verschraubung mit Zugentlastung	Connector
8	900933364	1	Sechskantschraube	Hex. cap screw	30a	810100129	3	Reduziererring	Reducer ring
9	90093621	1	Sechskantmutter	Hex. nut	31	Z131A-71.01	3	Aufhängeblech	Hanging plate
10	Z137A-71.02	1	Motorriemenscheibe	Vee belt pulley	32	810100023	1	Steckdose	Socket
11	Z137A-71.03	1	Deckscheibe	Cap	33	810100024	1	Stecker	Plug
12	900933359	1	Sechskantschraube	Hex. cap screw	34	810100025	/m	Leitung „Sylflex sy“	„Sylflex sy“ line
13	90221557	3	Keilriemen	Vee belt	35	810100027	/m	Leitung NYMi	4 wire cable
14	Z131A-71.03	1	Gerätetafel	Mounting plate		810100026	/m	Leitung NYMi	6 wire cable
15	810600021	4	Gummi-Rundlager	Grommet		810100028	/m	Leitung NYMi	7 wire cable
16	90093421	4	Sechskantmutter	Hex. nut	36	92257141	14	Befestigungsschelle	Clip
16a	90012517	4	Scheibe	Washer		92257151	4	Befestigungsschelle	Clip
17	810100006	1	Steuertrafo	Transformer	37	92257143	7	Befestigungsschelle	Clip
18	810100068	1	Überlastungs-Relais	Overload relay	38	810600013	25	Hammerschraube	Drive screw
18a	810100007	3	Schütz	Magnetic contactor	39	810100013	1	Wahlschalter	Position switch
18b	810100067	1	Zeitrelais	Timer relay	39a	810100129	3	Reduziererring	Reducer ring
19	810100009	1	Sicherungselement	Fuse block	39b	810100124	3	Verschraubung	Connector
20	810100036	1	Klemmleiste	Terminal block	40	90008422	2	Zylinderschraube mit Schlitz	Slotted head screw
21	810100012	1	Hauptschalter	Main switch	41	810100155	1	Wandsteckdose	Socket
22	810100014	1	Doppeldrucktaster	Double press button	42	90008433	2	Zylinderschraube mit Schlitz	Slotted head screw
23	Z137A-71.01	1	Kabelabdeckung	Protective cover					
24	90096334	2	Senkschraube	Countersunk screw					
25	810100002	3	Gleichrichter mit Kappe	Rectifier					
26	810100015	1	Abzweigdose	Junction box with cover					
26a	810100016	4	Verschraubung	Connector					



Pos. Item	Artikel-Nr. Article-No.	Stück./ Masch. Quantity required	Benennung	Nomenclature	Pos. Item	Artikel-Nr. Article-No.	Stück./ Masch. Quantity required	Benennung	Nomenclature
1	810100065	1	Motor	Motor	16a	90012517	4	Scheibe	Washer
2	Z137A-71.04	1	Motorconsole	Motor base plate	17	810100006	1	Steuertrafo	Transformer
3	900931303	4	Sechskantschraube	Hex. cap screw	18	810100058	1	Überlastungs-Relais	Overload relay
4	90012527	4	Scheibe	Washer	18a	810100007	3	Schütz	Magnetic contactor
5	90093431	4	Sechskantmutter	Hex. nut	18b	810100067	1	Zeitrelais	Timer relay
6	906912354	2	Zylinderschraube	Socket head screw	19	810100009	1	Sicherungselement	Fuse block
8	900933364	1	Sechskantschraube	Hex. cap screw	20	810100036	1	Klemmleiste	Terminal block
9	90093621	1	Sechskantmutter	Hex. nut	21	810100012	1	Hauptschalter	Main switch
10	Z137A-71.02	1	Motorriemenscheibe	Vee belt pulley	22	810100014	1	Doppeldrucktaster	Double press button
11	Z137A-71.03	1	Deckscheibe	Cap	23	Z137A-71.01	1	Kabelabdeckung	Protective cover
12	900933359	1	Sechskantschraube	Hex. cap screw	24	90096334	2	Senkschraube	Countersunk screw
13	90221557	3	Keilriemen	Vee belt	35	810100028	/m	Leitung NYMI	7 wire cable
14	Z131A-71.03	1	Gerätetafel	Mounting plate	36	97257141	10	Befestigungsschelle	Clip
15	810600021	4	Gummi-Rundlager	Grommet	37	810600013	10	Hammerschraube	Drive screw
16	90093421	4	Sechskantmutter	Hex. nut					



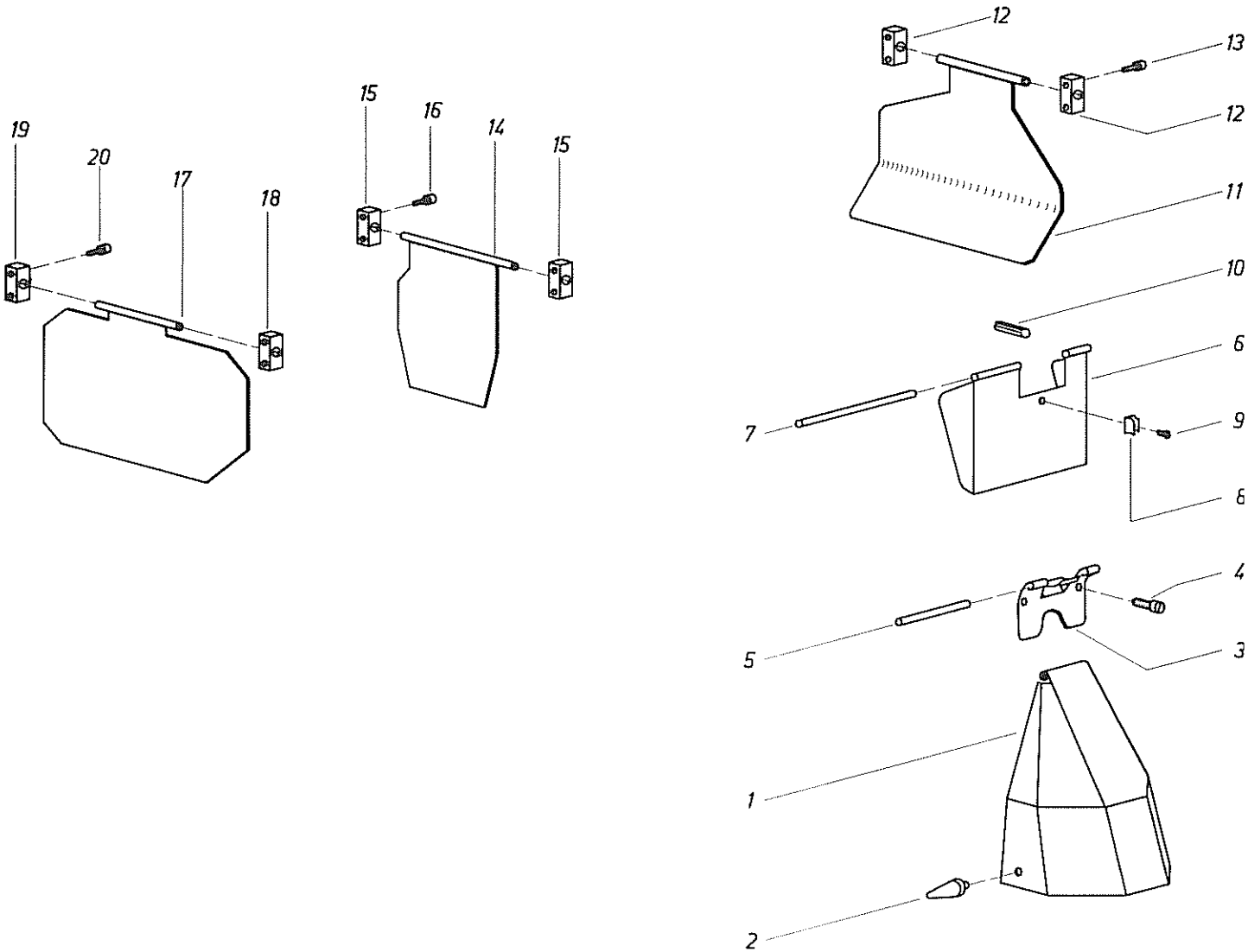
Pos. Item	Artikel-Nr. Article-No.	Stück./ Masch. Quantity required	Benennung	Nomenclature	Pos. Item	Artikel-Nr. Article-No.	Stück./ Masch. Quantity required	Benennung	Nomenclature
	Z137A-91USA	1	Schutzhaube für Riementrieb	Guard, flywheel compl.		Z137A-92USA	1	Schutzhaube für Kupplung kpl.	Gear guard, compl.
1	Z137A-91.05	1	Schutzhaube für Riementrieb	Vee belt guard	8	Z137A-92.06	1	Schutzhaube für Kupplung	Gear guard
3	900933306	3	Sechskantschraube	Hex. cap screw	10	900933306	3	Sechskantschraube	Hex. cap screw
4	Z137A-91.06	1	Verkleidung	Vee belt guard strap	11	900933301	3	Sechskantschraube	Hex. cap screw
6	90008441	5	Zylinderschraube	Slotted head screw	12	Z137A-92.02	2	Schutzkappe	Shaft cover
7	900933301	3	Sechskantschraube	Hex. cap screw	13	90751311	9	Sechskant-Schneid-schraube	Slotted self cutting screw
					14	Z137A-92.03	1	Schutzkappe	Shaft cover

**Schutzklappen für Profilschere, Stabstahlschere, Blech- oder Flachstahlschere und Ausklinker**

**Cover Lids for Section Steel Shears, Bar Steel Shears, Plate- or Flat Steel Shears and Coper-Notcher**

**Fig. A 35/1**

KBL 100-50



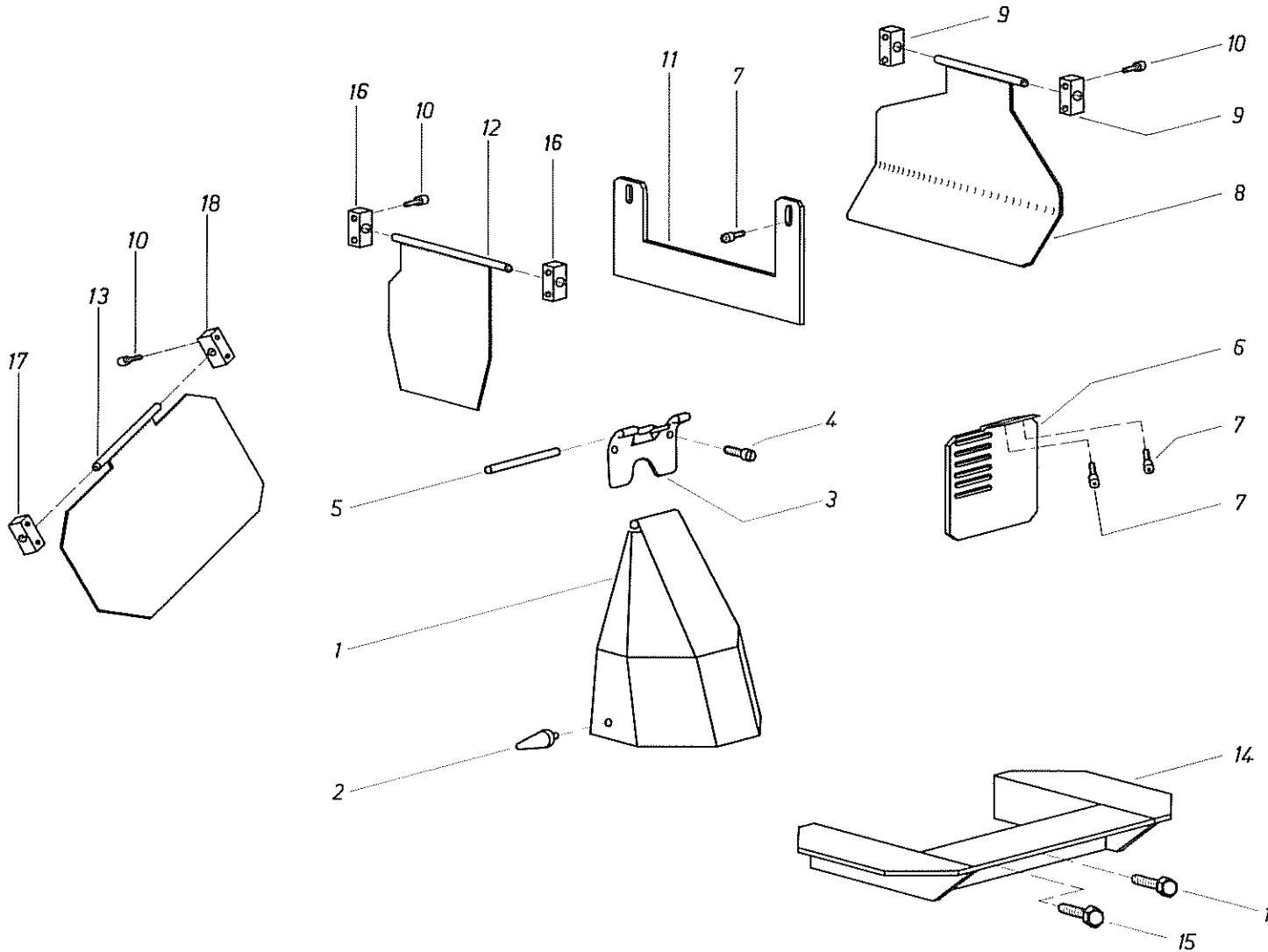
Pos. Item	Artikel-Nr. Article-No.	Stck./ Masch. Quantity required	Benennung	Nomenclature	Pos. Item	Artikel-Nr. Article-No.	Stck./ Masch. Quantity required	Benennung	Nomenclature
1	Z135-93.07	1	Haube f. Ausklinker kpl.	Notcher guard compl.	13	900912205	4	Zylinderschraube	Socket head screw
4	90008441	2	Zylinderschraube	Slotted head screw	14	Z137-97.01	1	Schutzklappe zur Stabstahlschere	Bar shear movable guard
6	Z137-94.01	1	Schutzhaube für Blechschere	Plate shear guard	15	Z133-97.02	2	Böckchen	Bracket
8	M52301-2	1	Klemmfeder	Clamp	16	900912205	4	Zylinderschraube	Socket head screw
9	90733823	1	Rohrniet	Blind rivet	17	Z137-96.01	1	Schutzklappe zur Profilschere	Section shear, movable guard
10	90148157	1	Spannhülse	Tension pin	18	Z133-97.02	2	Böckchen	Bracket
11	Z137-95.03	1	Schutzklappe zur Abfallseite	Plate shear movable guard	20	900912205	4	Zylinderschraube	Socket head screw
12	Z133-97.02	2	Böckchen	Bracket					

**Schutzklappen für Profilschere, Stabstahlschere, Blech- oder Flachstahlschere und Ausklinker**

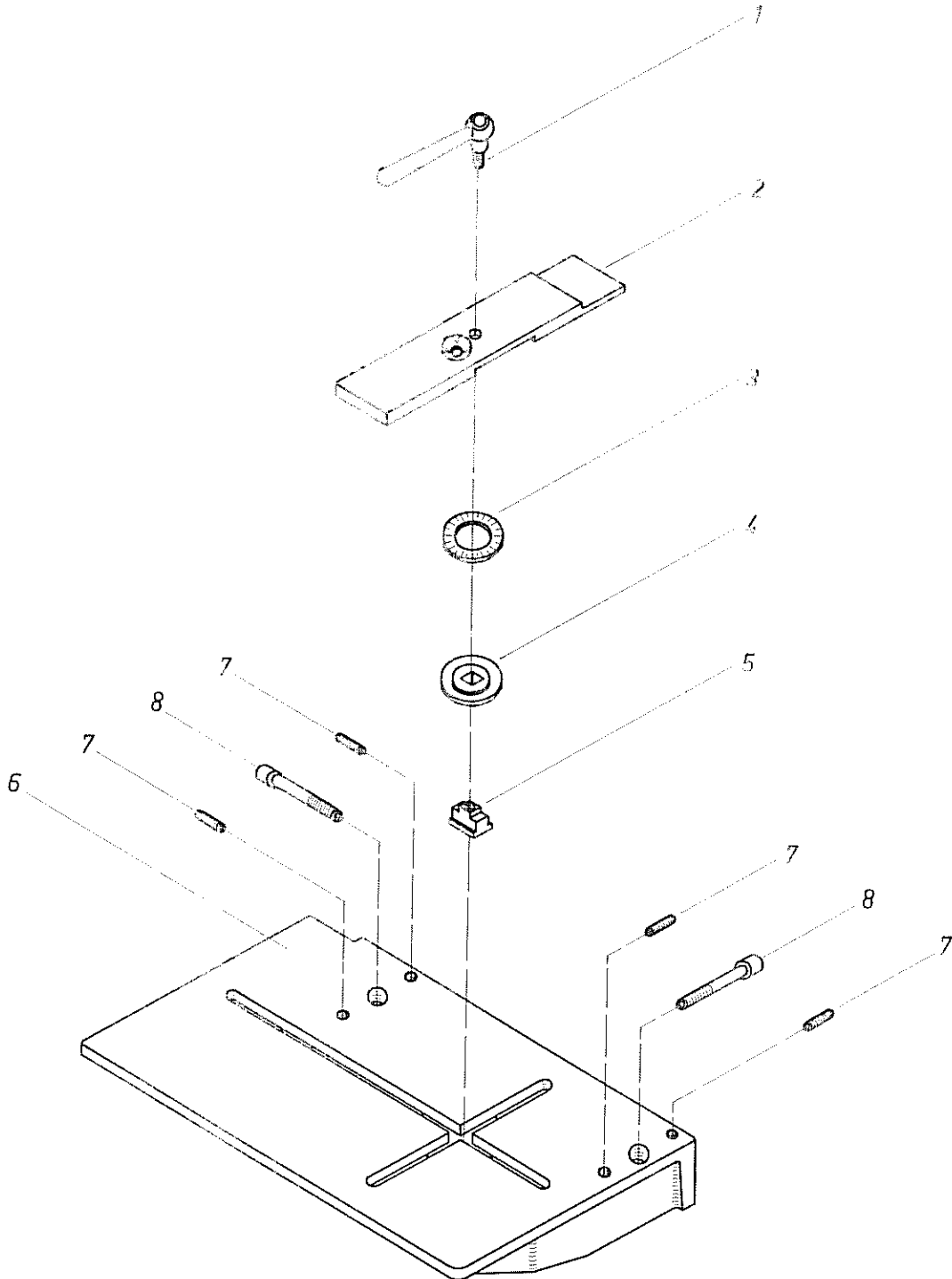
**Guards, Plate Shear, Section Shear, Bar Shear and Coper-Notcher**

Fig. A 36/1 US

KBL 110-7



Pos. Item	Artikel-Nr. Article-No.	Stück./ Masch. Quantity required	Benennung	Nomenclature	Pos. Item	Artikel-Nr. Article-No.	Stück./ Masch. Quantity required	Benennung	Nomenclature
1	Z135-93.07	1	Haube f. Ausklinker kpl.	Notcher guard compl.	12	Z137-97.01	1	Schutzklappe zur Stabstahlschere	Bar shear movable guard
2	90009441	2	Zylinderschraube	Slotted head screw	13	Z137-96.01	1	Schutzklappe zur Profilschere	Section shear, movable guard
6	Z137-95.01	1	Schutzabdeckung zur Stirnseite	Plate shear guard	14	Z137-93.01	1	Schutzvorrichtung	Support bracket
7	900912203	2	Zylinderschraube	Socket head screw	15	900933254	2	Sechskantschraube	Hex. cap screw
8	Z137-95.03	1	Schutzklappe zur Abfallseite	Plate shear movable guard	16	Z133-97.02	2	Böckchen	Bracket
9	Z133-97.02	2	Böckchen	Bracket	17	Z133-97.02	2	Böckchen	Bracket
10	900912205	4	Zylinderschraube	Socket head screw					
11	Z137-95.02	1	Verkleidung für Zuführseite	Plate shear adjustable guard					



Pos. Item	Artikel-Nr. Article-No.	Stück./ Masch. Quantity required	Benennung	Nomenclature	Pos. Item	Artikel-Nr. Article-No.	Stück./ Masch. Quantity required	Benennung	Nomenclature
1	Z133A-66.00 810600022	1	Auflagetisch kpl.	Support table, compl.	5	Z131A-66.03	1	Nutenstein	Tee nut
2	Z133A-66.02	1	verstellbarer Kegeigriff	Adjustable handle	6	Z133A-66.01	1	Auflagetisch	Table
3	Z131A-66.05	1	Anschlagleiste	Guide plate	7	90055175	4	Gewindestift	Slotted set screw
4	Z131A-66.04	1	Maßkala	Protractor	8	900912360	2	Zylinderschraube	Socket head screw
			Scheibe	Washer					