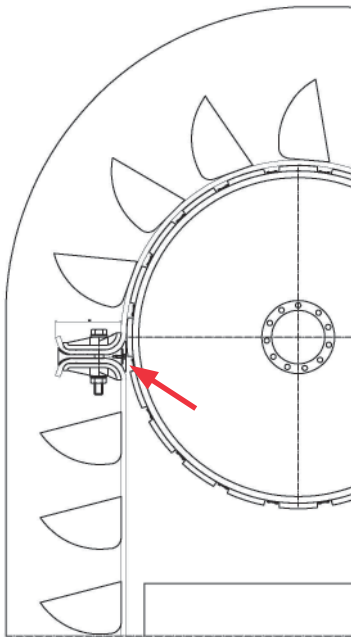


THE WORKING OF THE MAXI-SUPER IS BASED ON CLAMPING FORCES AND FRICTION

The joint area between the two elevator belt ends is the first area where wear will take place. The exact location where this occurs is where the fastener is caught by the drive pulley. In the sketch below the exact location is indicated by a red arrow. The unique removable rubber wear part that is fitted on the aluminium wedge section of the Maxi-Super wears down rather than the surface of the elevator belt.



The preferred method of making elevator belts endless is by using mechanical belt fasteners and because the belt fastener consists out of segments, it is able to follow the crowning on the surface of the pulleys resulting in quieter and better tracking. The two elevator belt ends are bend off at a 90° angle and the radius in the belt fastener has also been carefully designed for use in combination with the more thicker elevator belts, securing that the belt ends will not bend off to drastically, resulting in stress on this section of the belt.

DESIGNED
ENGINEERED
by Muller Beltex

Not legally binding - subject to change and terms. Version 2016 / 1.1

MAXI-SUPER

Material

- High quality aluminium upper, wedge and lower part, 75 mm wide.
- Aluminium wedge section fitted with a removable oil and grease-resistant rubber wear part.
- 1 x DIN 931 hexagon bolt M20 x 140 mm, partially threaded, galvanised, class 8.8 and 1 x DIN 931 hexagon bolt M20 x 120 mm, partially threaded, galvanised, class 8.8.

Features

- Lightweight. 2210 gram per segment.
- Very strong grip on the belt due to unique gripping teeth in combination with an M20 hexagon bolt, class 8.8.
- Corrosion resistant
- Non-sparking

Usable on Polysur® belt constructions

- 1000/5 with 3+3 mm rubber covers instead of the standard 2+2 mm rubber covers
- 1250/5 elevator belt construction
- 1600/5 elevator belt construction
- 2000/5 elevator belt construction

Advantages

- Usable for elevator belt constructions with a thickness of >12 mm due to the radius in the fastener.
- Usable with elevator bucket projection >170 mm.
- Wear of the removable rubber wear piece on the aluminium wedge section instead of wear on the surface of the elevator belt.
- Simple and quick installation due to supplied drilling template sticker.



Replaceable oil and grease-resistant wear rubber fitted on the aluminium wedge part of the fastener by two Allen bolts.

muller|beltex