

Formulas for Tesla Coils

v. 3.0

Ohm's Laws

$$V = I \times R = P / I = \text{SQRT}(P \times R)$$

$$I = V / R = \text{SQRT}(P / R) = P / V$$

$$R = V / I = P / (I^2) = V^2 / P$$

$$P = I \times V = I^2 \times R = V^2 / R$$

Where:

V = Voltage in Volts

I = Current in Amps

R = Resistance in Ohms

P = Power in Watts

Resonate Frequency

$$F_o = 1 / (2 \times \pi \times \text{SQRT}(L \times C))$$

Where:

F_o = Resonant frequency in Hertz

π = 3.14159...

SQRT = Square root function

L = Inductance in Henries

C = Capacitance in Farads

Reactance

$$X_L = 2 \times \pi \times F \times L$$

$$X_C = 1 / (2 \times \pi \times F \times C)$$

Where:

X_L = Inductive reactance in Ohms

X_C = Capacitive reactance in Ohms

π = 3.14159...

F = Frequency in Hertz
L = Inductance in Henries
C = Capacitance in Farads

RMS

$$V_{\text{peak}} = V_{\text{rms}} \times \text{SQRT}(2) \quad \text{For sine waves only}$$

Where:

V_{peak} = Peak voltage in volts
 V_{rms} = RMS voltage in Volts RMS
SQRT = Square root function

Energy

$$E = 1/2 \times C \times V^2 = 1/2 \times L \times I^2$$

Where:

E = Energy in Joules
L = Inductance in Henries
C = Capacitance in Farads
V = Voltage in Volts
I = Current in Amps

Power

$$P = E / t$$

Where:

P = Power in Watts
E = Energy in Joules
t = Time in Seconds

Helical Coil

$$L_h = (N \times R)^2 / (9 \times R + 10 \times H)$$

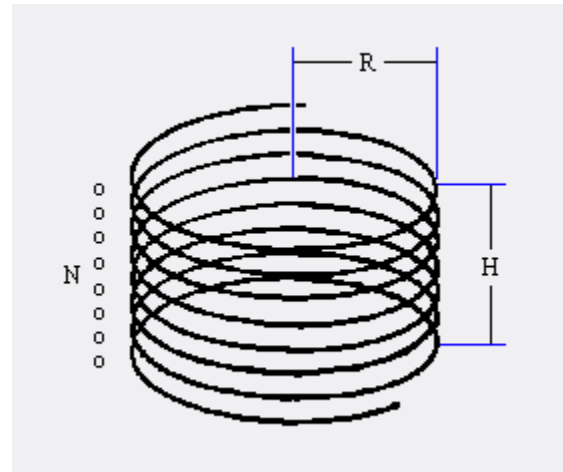
Where:

L_h = Inductance in micro-Heneries

N = number of turns

R = Radius in inches

H = Height in inches



Flat spiral

$$L_f = (N \times R)^2 / (8 \times R + 11 \times W)$$

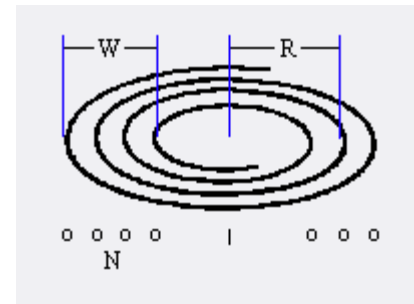
Where:

L_f = Inductance in micro-Heneries

N = number of turns

R = Average radius in inches

W = Width in inches



Conical Primary

$$L_1 = (N \times R)^2 / (9 \times R + 10 \times H)$$

$$L_2 = (N \times R)^2 / (8 \times R + 11 \times W)$$

$$L_c = \text{SQRT}(((L_1 \times \sin(x))^2 + (L_2 \times \cos(x))^2) / (\sin(x) + \cos(x)))$$

Where:

L_c = Inductance in Microhenries

L_1 = helix factor

L_2 = spiral factor

SQRT = Square root function

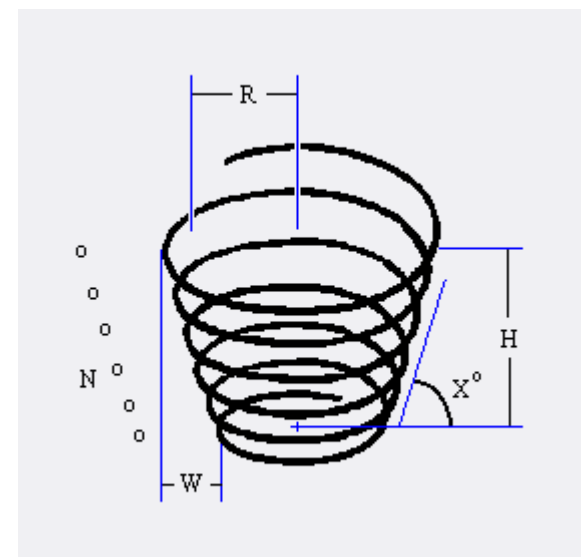
N = number of turns

R = average radius of coil in inches

H = effective height of the coil in inches

W = effective width of the coil in inches

X = rise angle of the coil in degrees



Resonant Primary Capacitance

$$C_{ltr} = I / (2 \times \pi \times F_l \times V)$$

Where:

C_{ltr} = Resonant capacitor value in Farads

I = NST rate current in Amps

π = 3.14159...

F_l = AC line frequency in Hertz

V = NST rated voltage in Volts

Static Gap Primary LTR Capacitance

$$C_{res} = I / (4 \times F_l \times V)$$

Where:

C_{res} = Resonant capacitor value in Farads

I = NST rate current in Amps

F_l = AC line frequency in Hertz

V = NST rated voltage in Volts

Sync Gap Primary LTR Capacitance

$$C_{ltr} = 0.83 \times I / (BPS \times V)$$

Where:

C_{ltr} = The LTR cap size in Farads

I = The NST rated current in Amps

V = The NST rated voltage in Volts

BPS = The break rate (120 or 100 BPS)

Top Voltage

$$V_t = V_f \times \text{SQRT}(L_s / (2 \times L_p))$$

Where:

V_t = Peak top voltage in Volts

Vf = gap firing voltage in Volts
SQRT = Square root function
Ls = Secondary inductance in Heneries
Lp = Primary inductance in Heneries

PFC Capacitors

$$C_{pfc} = V_o \times I_o / (2 \times \pi \times F_l \times V_i^2)$$

Where:

C_{pfc} = Power factor correction capacitance in Farads
V_o = NST output voltage in Volts
I_o = NST output current in Amps
π = 3.14159...
F_l = AC line frequency in Hertz
V_i = NST input voltage in Volts

Power-BPS

$$P = BPS \times 1/2 \times C_p \times V_f^2$$

Where:

P = Coil power in Watts
BPS = Breaks per second
C_p = Primary capacitance in Farads
V_f = Gap firing Voltage

Transformers

$$V_i \times I_i = V_o \times I_o$$

Where:

V_i = Input voltage in Volts
I_i = Input current in Amps
V_o = Output voltage in Volts
I_o = Output current in Amps

Primary Peak Current

$$I_{Ppeak} = V_f / \text{SQRT}(L_p / C_p)$$

Where:

I_{Ppeak} = Peak primary loop current Amps

V_f = Firing Voltage in Volts

SQRT = Square root function

L_p = Primary inductance in Heneries

C_p = Primary capacitance in Farads

Surge Impedance

$$Z_s = \text{SQRT}(L_p / C_p)$$

Where:

Z_s = Surge impedance in Ohms

SQRT = Square root function

L_p = Primary inductance in Heneries

C_p = Primary capacitance in Farads

Secondary "Q" Factor

$$Q = 2 \times \pi \times F_o \times L_s / R_{ac}$$

Where:

Q = "Q" factor

F_o = Fundamental frequency in Hertz

L_s = Secondary inductance in Heneries

R_{ac} = Secondary "AC" resistance in Ohms

Freau Spark Length Formula

$$L = 1.7 \times \text{SQRT}(P)$$

L = Maximum spark length in Inches

SQRT = Square root function

P = Wallplug Watts

Appendix

Wire Chart

Guage No. B. & S.	Diam in Mils ¹	Circular Mil Area	Turns Per Linear Inch ²	Feet per Lb.		Ohms per 1000ft. 250 C.	Current Carrying Capacity @ 1500 C.M. per Amp ³	Diameter in mm
			Enamel	Bare	Enamel			
1	289.3	82690	-	3.95	-	0.13	55.7	7.35
2	257.6	66370	-	4.98	-	0.16	44.1	6.54
3	229.4	52640	-	6.27	-	0.2	35.0	5.83
4	204.3	41740	-	7.91	-	0.25	27.7	5.19
5	181.9	33100	-	9.980	-	0.32	22.0	4.62
6	162.0	26250	-	12.58	-	0.4	17.5	4.12
7	144.3	20820	-	15.87	-	0.5080	13.8	3.665
8	128.5	16510	7.6	20.01	19.6	0.64	11.0	3.264
9	114.4	13090	8.6	25.23	25	0.81	8.7	2.906
10	101.90	10380	9.6	31.82	31.5	1.02	6.9	2.588
11	90.74	8234	10.7	40.12	39	1.28	5.5	2.305
12	80.81	6530	12.0	50.59	49.9	1.62	4.4	2.053
13	71.96	5178	13.5	63.8	62.9	2.04	3.5	1.828
14	64.08	4107	15.0	80.44	79.94	2.58	2.7	1.628
15	57.07	3257	16.8	101.4	100.4	3.25	2.2	1.450
16	50.82	2583	18.9	127.9	126.8	4.09	1.7	1.291
17	45.26	2048	21.2	161.3	159.4	5.16	1.3	1.150
18	40.30	1624	23.6	203.4	201.1	6.51	1.1	1.024
19	35.89	1288	26.4	256.5	253.2	8.21	0.86	0.91
20	31.96	1022	29.4	323.4	318.4	10.35	0.68	0.81
21	28.46	810.1	33.1	407.8	400.6	13.05	0.54	0.72
22	25.35	642.4	37.0	514.2	507.1	16.46	0.43	0.64
23	22.57	509.5	41.3	648.4	633.7	20.76	0.34	0.57
24	20.10	404.0	46.3	817.7	804.5	26.17	0.27	0.51
25	17.90	320.4	51.7	1031	1010	33.0	0.21	0.45
26	15.94	254.1	58.0	1300	1279	41.62	0.17	0.4
27	14.20	201.5	64.9	1639	1600	52.48	0.13	0.36
28	12.64	159.8	72.7	2067	2028	66.17	0.11	0.32
29	11.26	126.7	81.6	2607	2513	83.44	0.08	0.29
30	10.03	100.5	90.5	3287	3208	105.2	0.07	0.25
31	8.928	79.70	101	4170	4052	132.7	0.05	0.23
32	7.950	63.21	113	5160	4995	167.3	0.04	0.2
33	7.080	50.13	127	6550	6337	211.0	0.03	0.18
34	6.305	29.75	143	8320	8055	266.0	0.03	0.16
35	5.615	31.52	158	10500	10250	335.0	0.02	0.14
36	5.000	25.00	175	13200	12800	423.0	0.02	0.13
37	4.453	19.83	198	16300	15750	533.4	0.01	0.11
38	3.965	15.72	224	20600	20020	672.6	0.01	0.1
39	3.531	12.47	284	27000	26240	848.1	0.01	0.09
40	3.145	9.88	282	34400	33330	1069	0.01	0.08

Capacitor Chart

MMC Capacitor Chart

Capacitor Value (uF)

NST Type	60Hz			50Hz		
	Resonant	Static Gap LTR	Sync Gap LTR	Resonant	Static Gap LTR	Sync Gap LTR
7.5/30	0.0106	0.0159	0.0277	0.0127	0.0191	0.0332
7.5/60	0.0212	0.0318	0.0533	0.0256	0.0382	0.0664
7.5/90	0.0318	0.0477	0.0830	0.0382	0.0573	0.0996
7.5/120	0.0424	0.0637	0.1107	0.0509	0.0764	0.1328
9/30	0.0088	0.0133	0.0231	0.0106	0.0159	0.0277
9/60	0.0177	0.0265	0.0461	0.0212	0.0318	0.0553
9/90	0.0265	0.0398	0.0692	0.0318	0.0477	0.0830
9/120	0.0354	0.0531	0.0922	0.0424	0.0637	0.1107
10/23	0.0061	0.0092	0.0159	0.0073	0.0110	0.0191
12/30	0.0066	0.0099	0.0173	0.0080	0.0119	0.0208
12/60	0.0133	0.0199	0.0346	0.0159	0.0239	0.0415
12/90	0.0199	0.0298	0.0519	0.0239	0.0358	0.0623
12/120	0.0265	0.0398	0.0692	0.0318	0.0477	0.0830
15/30	0.0053	0.0080	0.0138	0.0064	0.0096	0.0166
15/60	0.0106	0.0159	0.0277	0.0127	0.0191	0.0332
15/90	0.0159	0.0239	0.0415	0.0191	0.0286	0.0496
15/120	0.0212	0.0318	0.0553	0.0255	0.0382	0.0664

Metric Prefixes

Prefix	Symbol	Decimal	Exponential
pico	p	0.000000000001	1e-12
nano	n	0.000000001	1e-9
micro	u	0.000001	1e-6
milli	m	0.001	1e-3
kilo	k	1000.0	1e+3
Mega	M	1,000,000	1e+6
Giga	G	1,000,000,000	1e+9

Cornell Dubilier 942 Series polypropylene Metal Foil Caps (Recommended)

Part Number	Cap. μF	D inches (mm)	L inches (mm)	d inches (mm)	Typical ESR milli Ω s	Typical ESL nH	dV/dt V/ μs	I Peak A	IRMS A
942C20S1K	0.01	0.472 (12.0)	1.339 (34.0)	0.040 (1.0)	50	20	5137	51	2.2
942C20S15K	0.015	0.571 (14.5)	1.339 (34.0)	0.040 (1.0)	40	21	5137	77	2.8
942C20S22K	0.022	0.650 (16.5)	1.339 (34.0)	0.040 (1.0)	20	22	5137	113	4.2
942C20S33K	0.033	0.768 (19.5)	1.339 (34.0)	0.040 (1.0)	12	23	5137	170	6.0
942C20S47K	0.047	0.709 (18.0)	1.811 (46.0)	0.040 (1.0)	10	28	2879	135	7.1
942C20S68K	0.068	0.807 (20.5)	1.811 (46.0)	0.040 (1.0)	6	29	2879	196	9.9
942C20P1K	0.1	0.965 (24.5)	1.811 (46.0)	0.047 (1.2)	5	30	2879	288	12.1
942C20P15K	0.15	1.161 (29.5)	1.811 (46.0)	0.047 (1.2)	5	32	2879	432	13.5

Metal Foil caps are normally the best type to use for MMCs.

Cornell Dubilier 940 Series polypropylene Metal Film Caps

Part Number	Cap. μF	Vdc	Vac	D inches (mm)	L inches (mm)	d inches (mm)	Typical ESR milli Ω s	Typical ESL nH	dV/dt V/ μs	I Peak A	IRMS A
940C20S22K	0.022	2000	630	0.453 (11.5)	1.339 (34.0)	0.040 (1.0)	35	6	1712	38	2.6
940C20S33K	0.033	2000	630	0.531 (13.5)	1.339 (34.0)	0.040 (1.0)	20	21	1712	57	3.8
940C20S47K	0.047	2000	630	0.591 (15.0)	1.339 (34.0)	0.040 (1.0)	12	22	1712	80	5.2
940C20S68K	0.068	2000	630	0.689 (17.5)	1.339 (34.0)	0.040 (1.0)	8	23	1712	116	6.9
940C20P1K	0.1	2000	630	0.827 (21.0)	1.339 (34.0)	0.040 (1.0)	7	24	1712	171	8.3
940C20P15K	0.15	2000	630	0.768 (19.5)	1.811 (46.0)	0.040 (1.0)	7	29	960	144	8.9
940C20P22K	0.22	2000	630	0.866 (22.0)	1.811 (46.0)	0.040 (1.0)	8	30	960	211	9.0
940C20P33K	0.33	2000	630	1.063 (27.0)	1.811 (46.0)	0.047 (1.2)	8	32	960	317	10.1
940C20P47K	0.47	2000	630	1.260 (32.0)	1.811 (46.0)	0.047 (1.2)	6	34	960	451	13.0
940C20P56K	0.56	2000	630	1.220 (31.0)	2.126 (54.0)	0.047 (1.2)	7	37	754	422	12.6
940C20P68K	0.68	2000	630	1.339 (34.0)	2.126 (54.0)	0.047 (1.2)	6	39	754	513	14.3
940C20W1K	1	2000	630	1.614 (41.0)	2.126 (54.0)	0.047 (1.2)	5	42	754	754	17.7

Metal Film caps are normally not recommended for MMCs unless the primary peak current is well within the capacitor's ability.