



BARREL CAN COOLER/FREEZER







Nenwell popular can coolers are the ideal marketing tool to highlight your drinks in particular promotional scenes, such as in bars, game centers and on outdoor events. Further, the inner led strip can be customized in various colors to match your brand tone.

Mobile 80L glass door barrel can freezers are very fashionable choice for patio and outdoor activities. Your brand image and drink sales will be hugely boosted with the customized eye-catching stickers on the upfront.







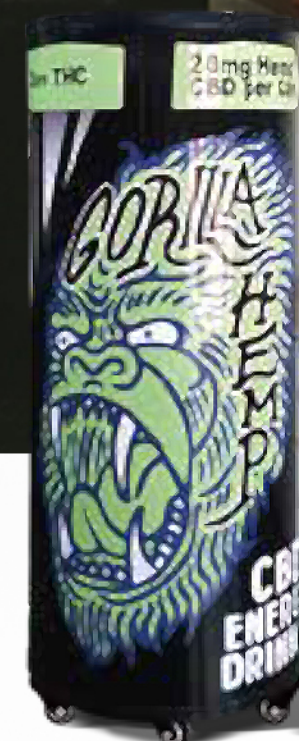
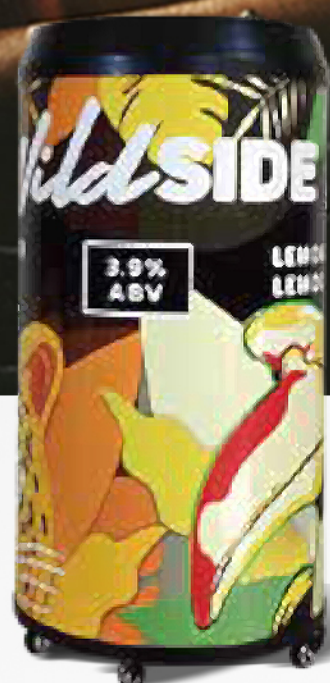


BARREL CAN COOLER

-  Modern barrel shape design
-  Mechanical temperature control
-  Portable with universal wheels
-  2 baskets
-  Door opened on the top
-  Inner led light for better illumination

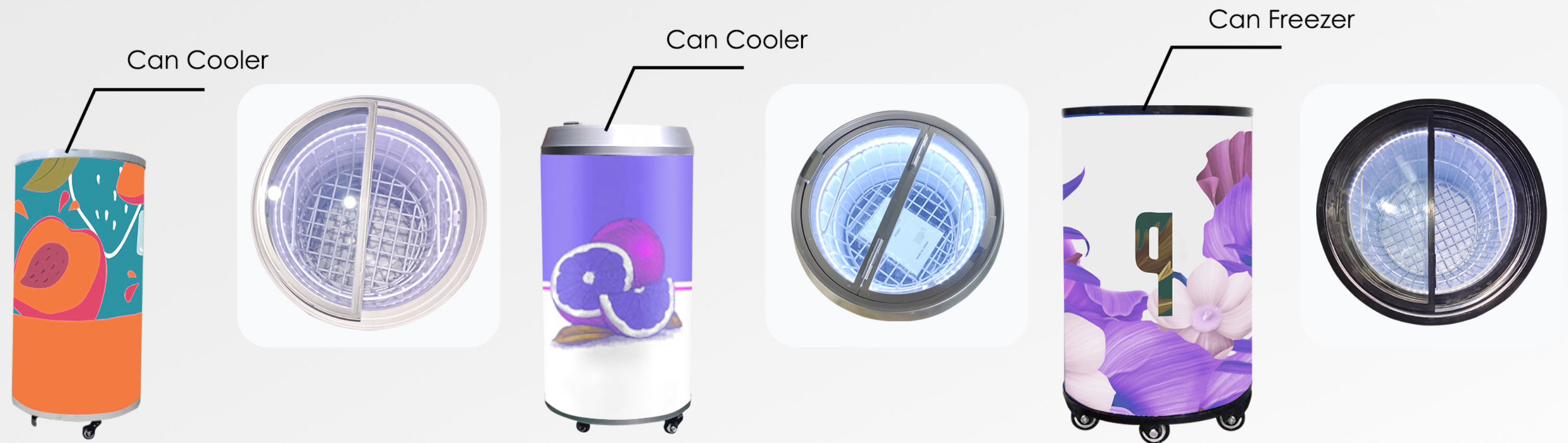
BARREL CAN FREEZER

-  Interior LED strip for attraction
-  Door opened on the top
-  Portable with universal wheels
-  Customized stickers for brand promotion





Specification Chart



Model	NW SC65Y	NW SC77Y	NW SD80Y
Temperature (°C)	0~10	0~10	-22~-18
Capacity (L)	65	77	80
Carton size (WxDxH) (mm)	486x486x935	486x486x1160	596x596x899
Product size (WxDxH) (mm)	455x455x900	455x455x1125	570x570x845
N.W./G.W. (kg)	21/23	26/28	35/38
Input power(w)	145	145	240
Power Consumption(Kw·h/24h)	1.0	1.5	2.3
Loading Qty. 20'FT/40'GP/40'HQ	96/192/192	96/192/192	54/120/120



Details Presentation



Famous Compressor
Brand From China



Optional Fan Motors

Interior LED Strip



Mechanical Temperature
Control



Interior and Bottom Pictures





Specification Chart



Can Cooler



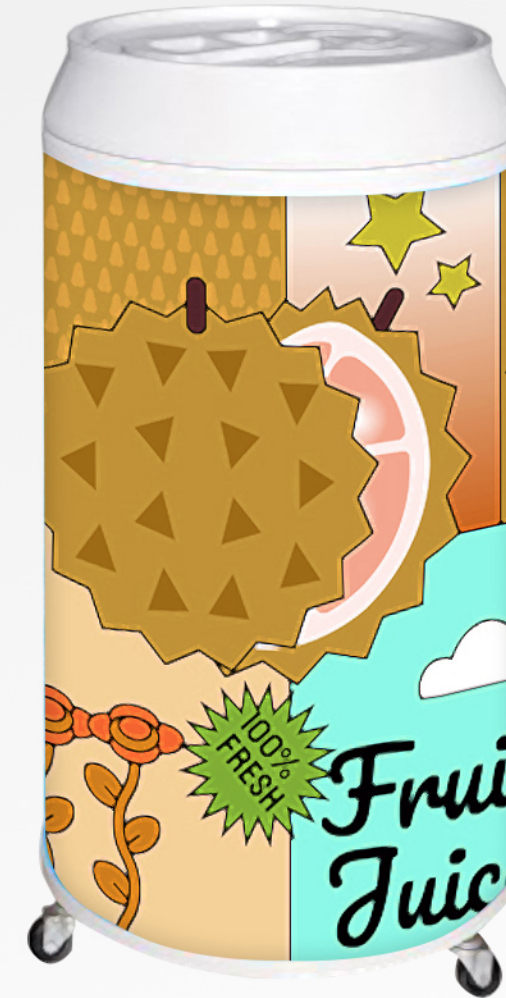
NW SC Series



Can Cooler



NW BC Series



Can Freezer

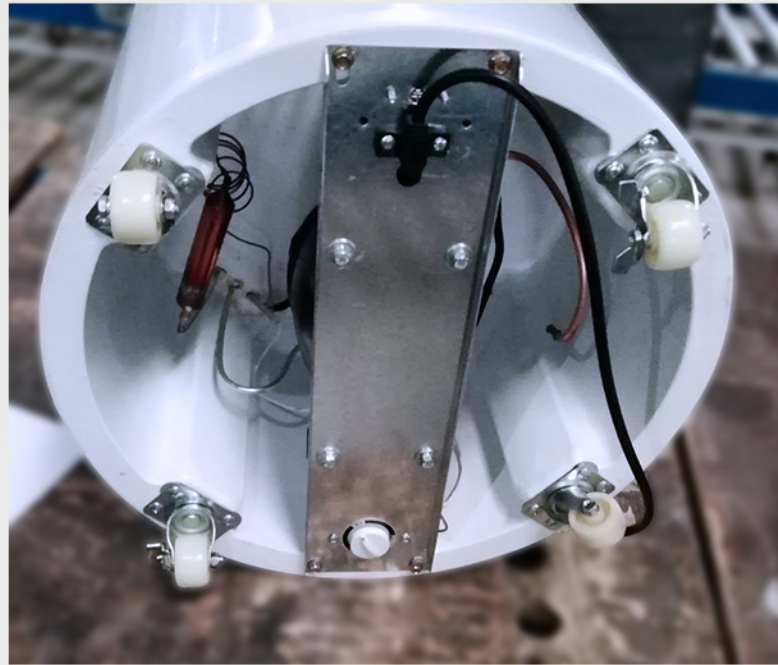


NW SD/BD Series

Model	NW SC40T	NW SC50T	NW SC75T	NW BC40D	NW BC50D	NW BC75D	NW SD40F	NW SD50F	NW SD75F	NW BD40F	NW BD50F	NW BD75F
Temperature (°C)	0~10	0~10	0~10	0~10	0~10	0~10	-12	-12	-12	-12	-12	-12
Capacity (L)	40	50	75	40	50	75	40	50	75	40	50	75
Dimension size (WxDxH) (mm)	442x442x745	442x442x865	442x442x1060	442x442x835	442x442x955	442x442x1165	442x442x745	442x442x865	442x442x1060	442x442x835	442x442x955	442x442x1165
Loading Qty. 20'FT/40'GP/40'HQ	180/390/390	120/260/260	120/260/260	120/260/386	120/260/260	120/260/260	180/390/390	120/260/260	180/260/260	120/260/389	120/260/260	120/260/260



Details Oresentation



2 Baskets Stacking Inside



Compressor At Bottom

4 Wheels with Stopper



Transparent
See-Thru Door



Interior and Bottom Pictures





Specification Chart



Model	NW PC30/PC30E	NW PC40	NW PC50E	NW PC50A/50AE
Temperature (°C)	0~10	0~10	0~10	0~10
Capacity (L)	30	40	50	50
Product size (WxDxH) (mm)	425/425/620	455/455/740	455/455/800	425/425/820
Carton size (WxDxH) (mm)	453/462/665	555/555/820	555/555/880	453/462/865
Loading Quantity	500pcs/40'HQ	252pcs/40'HQ	250pcs/40'HQ	500pcs/40'HQ



Details Presentation



Plastic Closed Base

Electronic Temperature Control



Alumimum Closed Base

Optional Wine Rack

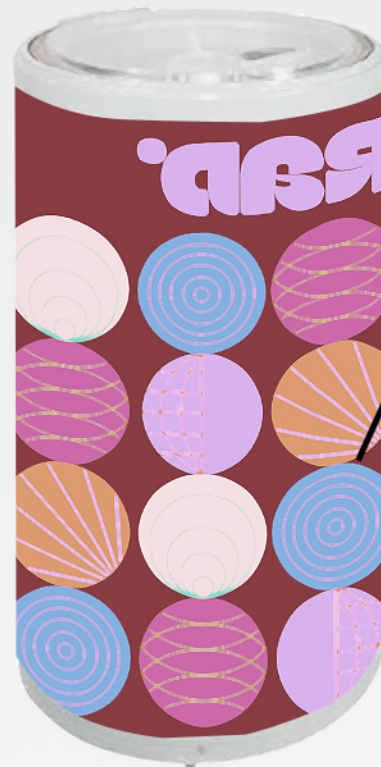
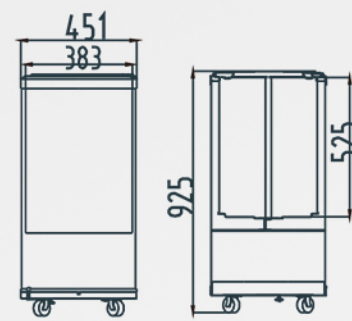




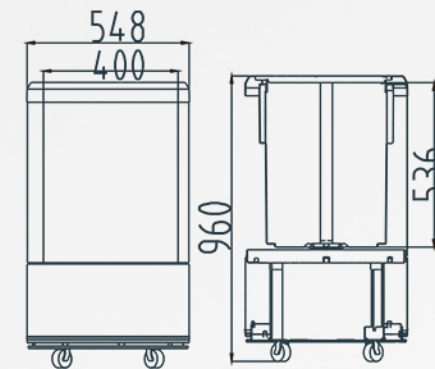
Specification Chart



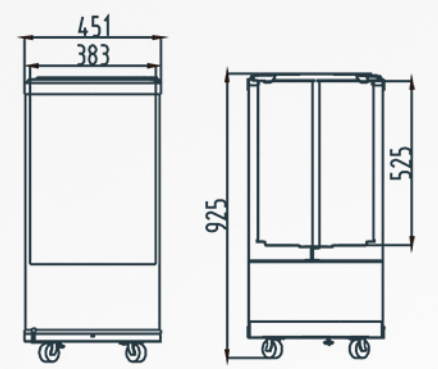
Can Cooler



Can Freezer



Can Freezer



Model	NW CC61	NW CC65	NW PC61
Temperature (°C)	0~7	-2~-7	-2~-7
Capacity (L)	56	65	56
Product size (WxDxH) (mm)	451/451/925	548/548/960	451/451/925
Carton size (WxDxH) (mm)	500/500/965	580/580/1020	565/565/985
N.W./G.W. (kg)	26/32	33/38	30/35
Loading Qty. 20'FT/40'GP/40'HQ	88/184/184	80/184/184	88/160/160