

**DOUBLE FRAME PLANTER**  
(Special 17 Row 10")  
**OPERATOR & PARTS**  
**MANUAL**

**M0133**

**Rev. 8/91**



TABLE OF CONTENTS

---

To The Owner.....1

New Machine Warranty.....1

Planting Rates For Kinze Bean Meter, Beans/Acre-Large Soybeans.....2

Planting Rates For Kinze Bean Meter, Beans/Acre-Medium Soybeans.....3

Planting Rates For Kinze Bean Meter, Beans/Acre-Small Soybeans.....4

Planting Rates For Kinze Bean Meter, Pounds/Acre.....5

Planting Rates For Kinze Regular Rate Milo Meter.....6

Parts Section

    Frame Assembly.....7

    Front Drive Line.....8

    Rear Drive Line.....9

    Drive Assembly.....10-11

    Drive Wheel Assembly.....12

    Transport Wheel Assembly.....12

    Transmission Assembly.....13

    Marker Assembly.....14

    Marker Hub Assembly.....15

    Hydraulic System.....16

    Sequencing Valve.....17

    Flow Control Valve.....17

    Marker Cylinder.....18

    Planter Lift Cylinder.....19

    Decals and Tie Straps.....20

    Numerical Index.....21-22



# TO THE OWNER

# NEW MACHINE WARRANTY

We at Kinze Manufacturing wish to thank you for your patronage and appreciate your confidence in Kinze farm machinery. Your Kinze planter has been carefully designed and sturdily built to provide years of dependable operation in return for your investment.

No warranties, express or implied are made or will be deemed to have been made by Kinze of the products sold under this Agreement except as follows:

Kinze warrants to the original purchaser for use that if any part of the product proves to be defective in material or workmanship within one year from date of original purchase, and is reported to Kinze within 10 days after such defect is discovered, Kinze will (at our option) either replace or repair said part. Return of the defective part to Kinze and submission of a completed warranty request must be accomplished within 30 days of the date that the replacement is made available.

This warranty does not apply to damage resulting from misuse, neglect, accident or improper installation or maintenance. A part will not be considered defective if it substantially fulfills performance specifications. Labor, shipping, field service, travel or administrative expenses incurred in connection with warranty replacements are not covered. Tires are not warranted by Kinze Manufacturing, Inc. and such claims must be pursued through the manufacturer's warranty.

Kinze warrants all replacement parts for a period of 90 days from date of purchase by the customer. Parts warranty is subject to the same provisions, restrictions and exclusions as new machine warranty and carries the same return and reporting requirements.

The foregoing warranty is exclusive and in lieu of all other warranties of merchantability, fitness for purpose and of any other type, whether express or implied. Kinze neither assumes nor authorizes anyone to assume for it any other obligation or liability other than stated above, and will not be liable for consequential damages. Purchaser accepts these terms and warranty limitations unless the product is returned within the fifteen days for full refund of purchase price.

Kinze reserves the right to make changes or to add improvements at any time without notice or obligations.

This manual is applicable to:

Double Frame Planter  
Model Number: Spain  
Serial Number: 1 - 8

Record the model number and serial number of your planter with date purchased:

Date Purchased \_\_\_\_\_

Serial Number \_\_\_\_\_

Model Number \_\_\_\_\_

**ATTENTION:** Effective 12/1/87  
amendments were made to the  
Kinze New Machine Warranty.  
Refer to insert W12187

Kinze New Machine Warranty applies only to those products sold and located within the boundaries of the United States and Canada.

PLANTING RATES FOR KINZE BEAN METER WITH EXTENDED DRILL DISTANCE SPROCKET  
(48 TOOTH)

10 Inch Row Width - Large Soybeans

Beans/ Acre	Seeds/ Foot	Seed Spacing (Inches)	Transmission Sprockets		Recommended Speed Range (MPH)
			Drive	Driven	
80,200	2	7.8	14	30	4 to 8
85,900	2	7.3	14	28	4 to 8
92,500	2	6.8	14	26	4 to 8
98,200	2	6.4	16	28	4 to 8
103,100	2	6.1	18	30	4 to 8
105,800	2	5.9	16	26	4 to 8
109,400	2	5.7	14	22	4 to 8
119,000	2	5.3	18	26	4 to 8
125,000	2	5.0	16	22	4 to 8
126,000	2	5.0	22	30	4 to 8
133,700	3	4.7	14	18	4 to 8
135,000	3	4.7	22	28	4 to 8
140,600	3	4.5	18	22	4 to 8
145,400	3	4.3	22	26	4 to 8
149,000	3	4.2	26	30	4 to 8
150,400	3	4.2	14	16	4 to 8
152,800	3	4.1	16	18	4 to 8
159,600	3	3.9	26	28	4 to 7.5
160,400	3	3.9	28	30	4 to 7.5
170,800	3	3.7	22	22	4 to 7
182,300	3	3.4	30	28	4 to 6.5
182,900	3	3.4	28	26	4 to 6.5
189,200	4	3.3	18	16	4 to 6.5
192,200	4	3.3	16	14	3 to 6
194,000	4	3.2	30	26	3 to 6
196,500	4	3.2	26	22	3 to 6
203,200	4	3.1	22	18	3 to 5.5
208,600	4	3.0	28	22	3 to 5.5
208,200	4	3.0	18	14	3 to 5.5
216,500	4	2.9	30	22	3 to 5
224,000	4	2.9	22	16	3 to 5
224,900	4	2.8	26	18	3 to 5
244,600	5	2.6	22	14	3 to 5
253,000	5	2.5	26	16	3 to 5
259,500	5	2.4	30	18	3 to 5
272,400	5	2.3	28	16	3 to 5
289,100	6	2.2	26	14	3 to 5
311,400	6	2.0	28	14	3 to 5
333,600	6	1.9	30	14	3 to 5

Above chart for planters equipped with Kinze drive. Recommended tire pressure 40 PSI.

IMPORTANT: Soybeans vary in size from about 3500 seeds/lb. to about 1800 seeds/lb. The size marked on each bag is an average. Seeds within each bag may vary in size by as much as 50% greater or 50% smaller than the average. The above chart was based on uniformly sized soybeans. Your actual planting rate will vary somewhat from the above table. Generally, larger beans will give lower rates and smaller beans will give higher rates.

YOUR ACTUAL PLANTING RATE MUST BE CHECKED IN THE FIELD WITH THE SEEDS THAT YOU ARE PLANTING AND THE TRANSMISSION SPROCKETS CHANGED TO GIVE YOU THE RATE THAT YOU DESIRE, EVEN IF IT IS DIFFERENT THAN THE ABOVE TABLE.

PLANTING RATES FOR KINZE BEAN METER WITH EXTENDED DRILL DISTANCE SPROCKET  
(48 TOOTH)

10 Inch Row Width - Medium Soybeans

Beans/ Acre	Seeds/ Foot	Seed Spacing (Inches)	Transmission Sprockets		Recommended Speed Range (MPH)
			Drive	Driven	
119,800	2	5.2	14	30	4 to 8
128,300	2	4.9	14	28	4 to 8
138,200	3	4.5	14	26	4 to 8
146,700	3	4.3	16	28	4 to 8
154,000	3	4.1	18	30	4 to 8
158,000	3	4.0	16	26	4 to 8
163,300	3	3.8	14	22	4 to 8
177,700	3	3.5	18	26	4 to 8
186,700	4	3.4	16	22	4 to 8
188,200	4	3.3	22	30	4 to 8
199,600	4	3.1	14	18	4 to 8
201,700	4	3.1	22	28	4 to 8
210,000	4	3.0	18	22	4 to 8
217,200	4	2.9	22	26	4 to 8
222,500	4	2.8	26	30	4 to 8
224,600	4	2.8	14	16	4 to 8
228,200	4	2.8	16	18	4 to 8
238,300	5	2.6	26	28	4 to 7.5
239,600	5	2.6	28	30	4 to 7.5
255,100	5	2.5	22	22	4 to 7
272,300	5	2.3	30	28	4 to 6.5
273,200	5	2.3	28	26	4 to 6.5
282,500	5	2.2	18	16	4 to 6.5
287,000	5	2.2	16	14	3 to 6
289,700	6	2.2	30	26	3 to 6
293,500	6	2.1	26	22	3 to 6
303,500	6	2.1	22	18	3 to 5.5
311,600	6	2.0	28	22	3 to 5.5
320,900	6	2.0	18	14	3 to 5.5
323,400	6	2.0	30	22	3 to 5
329,700	6	2.0	22	16	3 to 5
335,800	6	1.9	26	18	3 to 5
365,400	7	1.7	22	14	3 to 5
377,800	7	1.7	26	16	3 to 5
387,500	7	1.6	30	18	3 to 5
406,900	8	1.5	28	16	3 to 5
431,800	8	1.5	26	14	3 to 5
465,000	9	1.4	28	14	3 to 5
498,200	10	1.3	30	14	3 to 5

Above chart for planters equipped with Kinze drive. Recommended tire pressure 40 PSI.

IMPORTANT: Soybeans vary in size from about 3500 seeds/lb. to about 1800 seeds/lb. The size marked on each bag is an average. Seeds within each bag may vary in size by as much as 50% greater or 50% smaller than the average. The above chart was based on uniformly sized soybeans. Your actual planting rate will vary somewhat from the above table. Generally, larger beans will give lower rates and smaller beans will give higher rates.

YOUR ACTUAL PLANTING RATE MUST BE CHECKED IN THE FIELD WITH THE SEEDS THAT YOU ARE PLANTING AND THE TRANSMISSION SPROCKETS CHANGED TO GIVE YOU THE RATE THAT YOU DESIRE, EVEN IF IT IS DIFFERENT THAN THE ABOVE TABLE.

PLANTING RATES FOR KINZE BEAN METER WITH EXTENDED DRILL DISTANCE SPROCKET  
(48 TOOTH)

10 Inch Row Width - Small Soybeans

Beans/ Acre	Seeds/ Foot	Seed Spacing (Inches)	Transmission Sprockets		Recommended Speed Range (MPH)
			Drive	Driven	
181,100	3	3.5	14	30	4 to 8
194,100	4	3.2	14	28	4 to 8
209,000	4	3.0	14	26	4 to 8
221,800	4	2.8	16	28	4 to 8
232,900	4	2.7	18	30	4 to 8
238,800	5	2.6	16	26	4 to 8
247,000	5	2.5	14	22	4 to 8
268,700	5	2.3	18	26	4 to 8
282,300	5	2.2	16	22	4 to 8
284,600	5	2.2	22	30	4 to 8
301,900	6	2.1	14	18	4 to 8
304,900	6	2.1	22	28	4 to 8
317,500	6	2.0	18	22	4 to 8
328,400	6	1.9	22	26	4 to 8
336,400	6	1.9	26	30	4 to 8
339,600	6	1.9	14	16	4 to 8
345,000	7	1.8	16	18	4 to 8
360,400	7	1.7	26	28	4 to 7.5
362,200	7	1.7	28	30	4 to 7.5
385,600	7	1.6	22	22	4 to 7
411,700	8	1.5	30	28	4 to 6.5
413,000	8	1.5	28	26	4 to 6.5
427,100	8	1.5	18	16	4 to 6.5
433,900	8	1.4	16	14	3 to 6
438,100	8	1.4	30	26	3 to 6
443,700	8	1.4	26	22	3 to 6
458,900	9	1.4	22	18	3 to 5.5
471,100	9	1.3	28	22	3 to 5.5
470,100	9	1.3	18	14	3 to 5.5
489,000	9	1.3	30	22	3 to 5
483,400	9	1.3	22	16	3 to 5
507,800	10	1.2	26	18	3 to 5
552,400	11	1.1	22	14	3 to 5
571,300	11	1.1	26	16	3 to 5
585,900	11	1.1	30	18	3 to 5
615,200	12	1.0	28	16	3 to 5
652,900	12	1.0	26	14	3 to 5
703,100	13	0.9	28	14	3 to 5
753,300	14	0.8	30	14	3 to 5

Above chart for planters equipped with Kinze drive. Recommended tire pressure 40 PSI.

IMPORTANT: Soybeans vary in size from about 3500 seeds/lb. to about 1800 seeds/lb. The size marked on each bag is an average. Seeds within each bag may vary in size by as much as 50% greater or 50% smaller than the average. The above chart was based on uniformly sized soybeans. Your actual planting rate will vary somewhat from the above table. Generally, larger beans will give lower rates and smaller beans will give higher rates.

YOUR ACTUAL PLANTING RATE MUST BE CHECKED IN THE FIELD WITH THE SEEDS THAT YOU ARE PLANTING AND THE TRANSMISSION SPROCKETS CHANGED TO GIVE YOU THE RATE THAT YOU DESIRE, EVEN IF IT IS DIFFERENT THAN THE ABOVE TABLE.



PLANTING RATES FOR KINZE BEAN METER WITH EXTENDED DRILL DISTANCE SPROCKET  
(48 TOOTH)

10 Inch Row Width - Medium Size Beans

Pounds/ Acre	Transmission Sprockets		Recommended Speed Range (MPH)
	Drive	Driven	
48	14	30	4 to 8
51	14	28	4 to 8
55	14	26	4 to 8
59	16	28	4 to 8
62	18	30	4 to 8
63	16	26	4 to 8
65	14	22	4 to 8
71	18	26	4 to 8
75	16	22	4 to 8
76	22	30	4 to 8
80	14	18	4 to 8
81	22	28	4 to 8
84	18	22	4 to 8
87	22	26	4 to 8
89	26	30	4 to 8
90	14	16	4 to 8
91	16	18	4 to 8
95	26	28	4 to 8
96	28	30	4 to 8
102	22	22	4 to 8
108	30	28	4 to 8
109	28	26	4 to 8
113	18	16	4 to 8
115	16	14	4 to 8
116	30	26	4 to 8
117	26	22	4 to 8
121	22	18	4 to 8
125	28	22	4 to 8
124	18	14	4 to 8
127	30	22	4 to 8
128	22	16	4 to 8
134	26	18	4 to 8
146	22	14	4 to 8
151	26	16	4 to 8
155	30	18	4 to 8
163	28	16	4 to 8
173	26	14	4 to 7
186	28	14	4 to 7
199	30	14	4 to 7

Above chart for planters equipped with Kinze drive. Recommended tire pressure 40 PSI.

IMPORTANT: Soybeans vary in size from about 3500 seeds/lb. to about 1800 seeds/lb. The size marked on each bag is an average. Seeds within each bag may vary in size by as much as 50% greater or 50% smaller than the average. The above chart was based on uniformly sized soybeans. Your actual planting rate will vary somewhat from the above table. Generally, larger beans will give lower rates and smaller beans will give higher rates. YOUR ACTUAL PLANTING RATE MUST BE CHECKED IN THE FIELD WITH THE SEEDS THAT YOU ARE PLANTING AND THE TRANSMISSION SPROCKETS CHANGED TO GIVE YOU THE RATE THAT YOU DESIRE, EVEN IF IT IS DIFFERENT THAN THE ABOVE TABLE.

PLANTING RATES FOR KINZE REGULAR RATE MILO METER WITH EXTENDED DRILL  
DISTANCE SPROCKET (48 TOOTH)

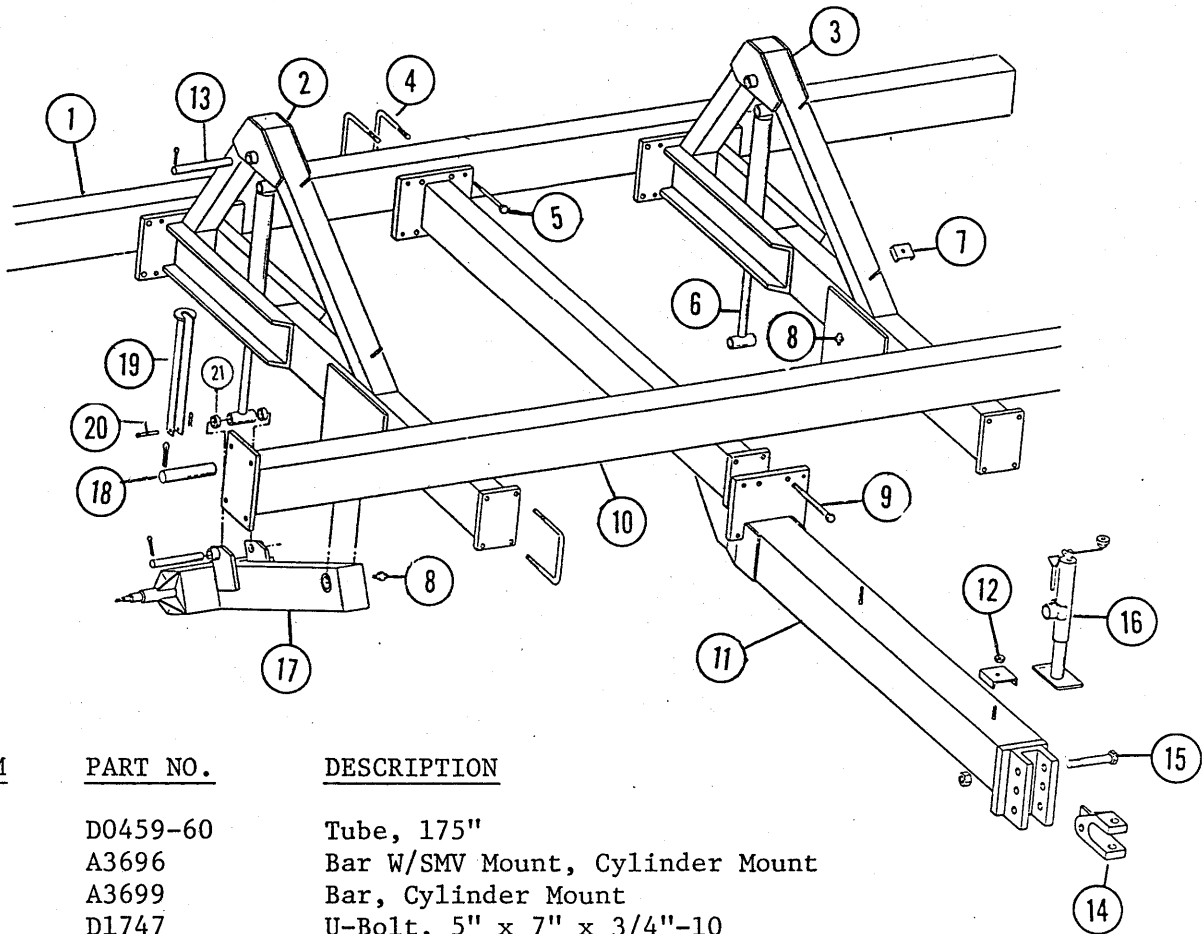
20 Inch Row Width - Medium Size Seeds

Pounds/ Acre	Transmission Sprockets		Recommended Speed Range (MPH)
	Drive	Driven	
5.7	14	30	4 to 8
6.1	14	28	4 to 8
6.6	14	26	4 to 8
7.0	16	28	4 to 8
7.3	18	30	4 to 8
7.5	16	26	4 to 8
7.7	14	22	4 to 8
8.4	18	26	4 to 8
8.8	16	22	4 to 8
8.9	22	30	4 to 8
9.5	14	18	4 to 8
9.6	22	23	4 to 8
10.0	18	22	4 to 8
10.3	22	26	4 to 8
10.6	26	30	4 to 8
10.7	14	16	4 to 8
10.8	16	18	4 to 8
11.3	26	28	4 to 8
11.4	28	30	4 to 8
12.1	22	22	4 to 8
12.7	30	28	4 to 8
12.8	28	26	4 to 8
13.3	18	16	4 to 8
13.5	16	14	4 to 8
13.6	30	26	4 to 8
13.8	26	22	4 to 8
14.3	22	18	4 to 8
14.7	28	22	4 to 8
14.9	18	14	4 to 8
15.4	30	22	4 to 8
15.6	22	16	4 to 8
16.4	26	18	4 to 8
17.8	22	14	4 to 8
18.4	26	16	4 to 8
18.9	30	18	4 to 8
19.8	28	16	4 to 8
21.0	26	14	4 to 7
22.7	28	14	4 to 7
24.3	30	14	4 to 7

Above chart for planters equipped with Kinze drive. Recommended tire pressure 40 PSI.

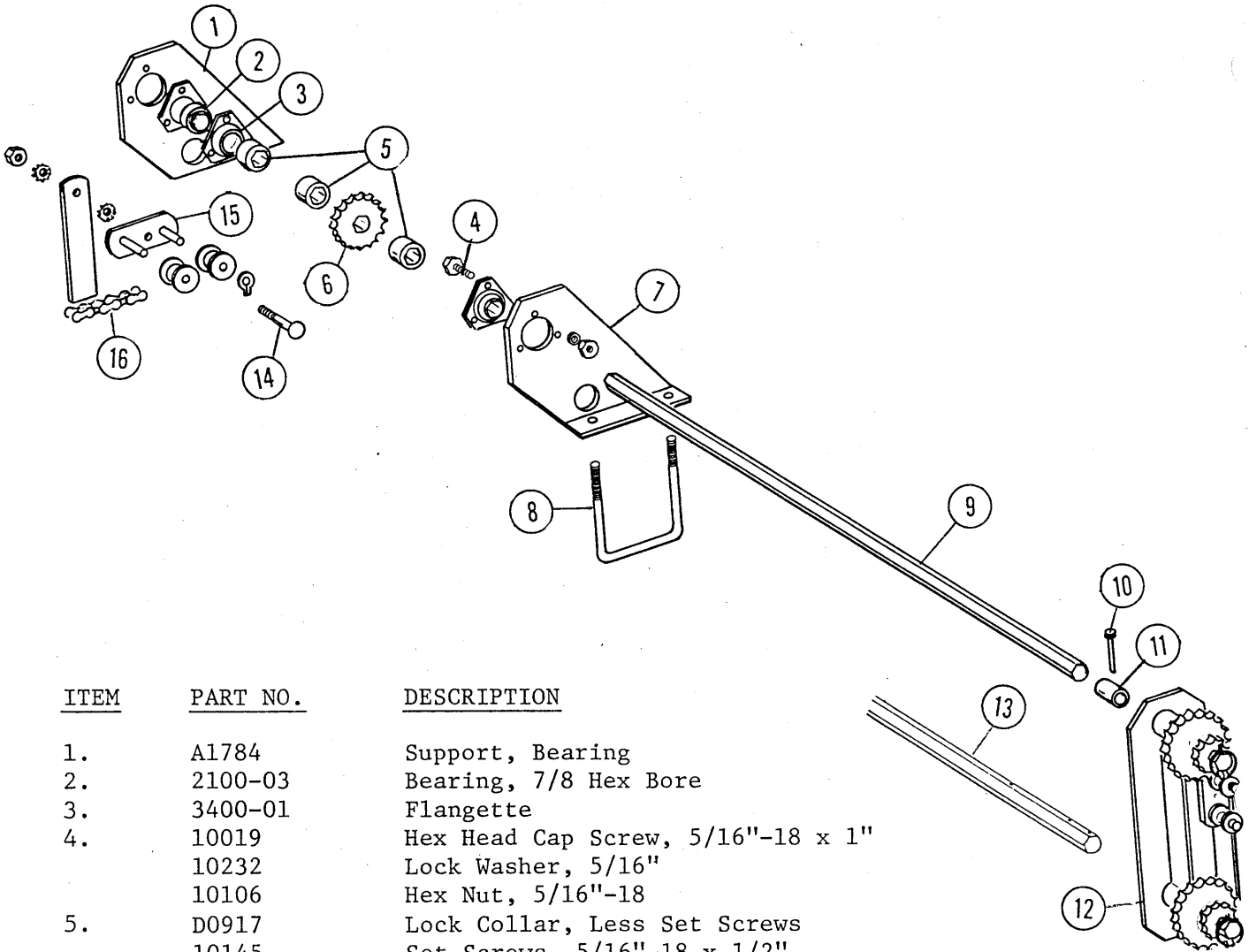
IMPORTANT: Seeds vary in size from about 12000 seeds/lb. to about 25000 seeds/lb. The size marked on each bag is an average. Seeds within each bag may vary in size by as much as 50% larger or 50% smaller than the average. The above chart was based on uniformly sized seeds. Your actual planting rate will vary somewhat from the above table. Generally, larger seeds will give lower rates and smaller seeds will give higher rates.

YOUR ACTUAL PLANTING RATE MUST BE CHECKED IN THE FIELD WITH THE SEEDS THAT YOU ARE PLANTING AND THE TRANSMISSION SPROCKETS CHANGED TO GIVE YOU THE RATE THAT YOU DESIRE, EVEN IF IT IS DIFFERENT THAN THE ABOVE TABLE.



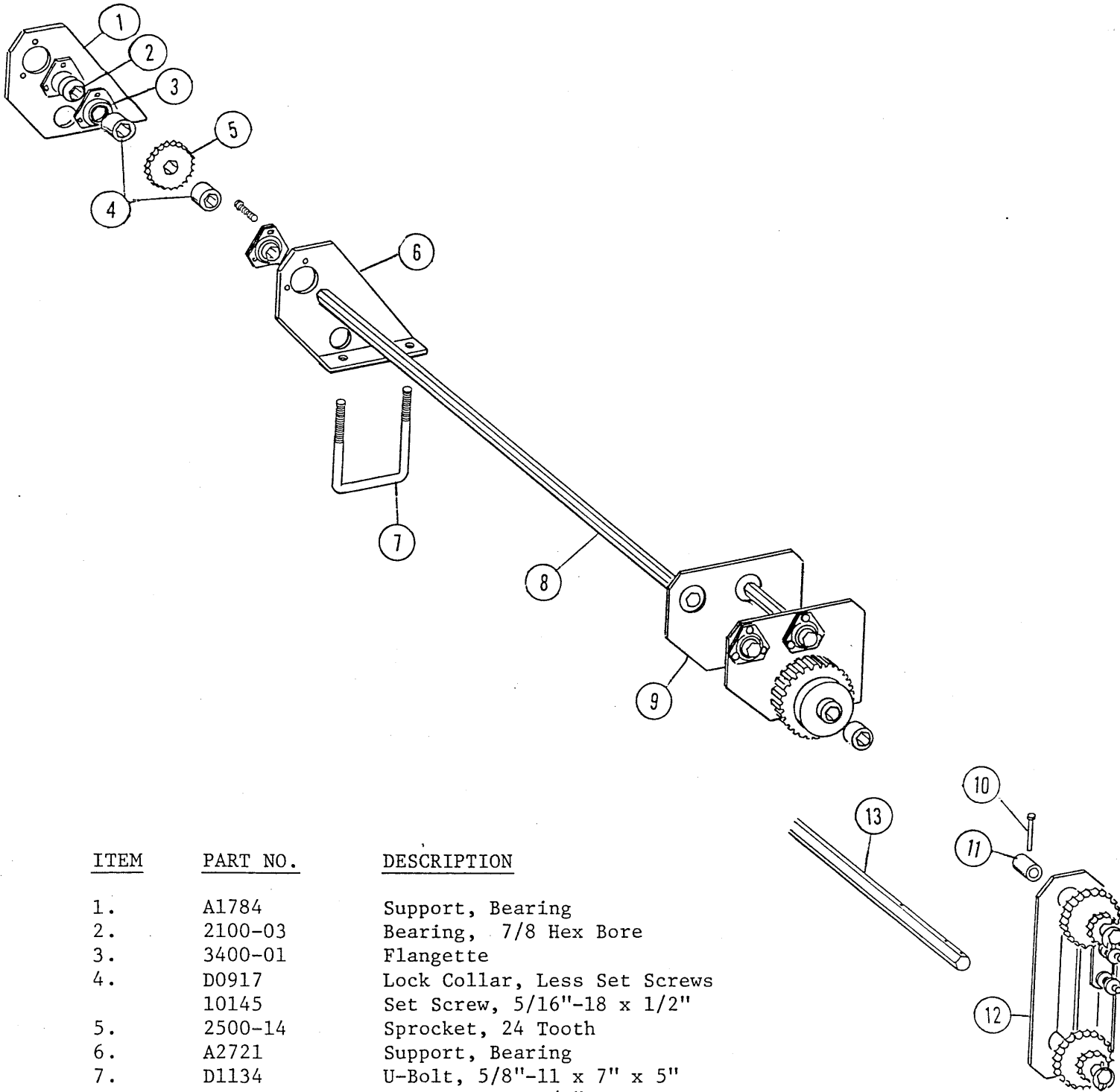
<u>ITEM</u>	<u>PART NO.</u>	<u>DESCRIPTION</u>
1.	D0459-60	Tube, 175"
2.	A3696	Bar W/SMV Mount, Cylinder Mount
3.	A3699	Bar, Cylinder Mount
4.	D1747	U-Bolt, 5" x 7" x 3/4"-10
	10231	Lock Washer, 3/4"
	10105	Hex Nut, 3/4"-10
5.	10341	Hex Head Cap Screw, 5/8"-11 x 8"
	10230	Lock Washer, 5/8"
	10104	Hex Nut, 5/8"-11
6.		Cylinder, Lift, 2 1/2" x 20", See Lift Cylinder Page
7.	D4863	Clamp, Hose
8.	10641	Grease Fitting, 1/8" NPT
9.	10342	Hex Head Cap Screw, 3/4"-10 x 8"
	10231	Lock Washer, 3/4"
	10105	Hex Nut, 3/4"-10
10.	A3693	Bar, 156"
11.	A3694	Hitch
12.	10111	Lock Nut, 1/2"-13
13.	D3561	Pin, 1 1/4" x 2"
	10460	Cotter Pin, 1/4" x 2"
14.	B0156	Clevis
15.	10169	Hex Head Cap Screw, 1 1/4"-7 x 6"
	10157	Lock Nut, 1 1/4"-7
16.	4100-02	Jack
	R0255	Repair Kit (Chain and Pin)
17.	A3700	Axle Assembly
18.	D4871	Pin, 2 1/8" x 9"
	10461	Cotter Pin, 3/8" x 3"
19.	A2913	Lockup
20.	10561	Clevis Pin, 1/2" x 3"
	10670	Hair Pin Clip, No.3
21.	D0752-21	Sleeve, 1 1/4" I.D. x 3/8"

FRONT DRIVE LINE

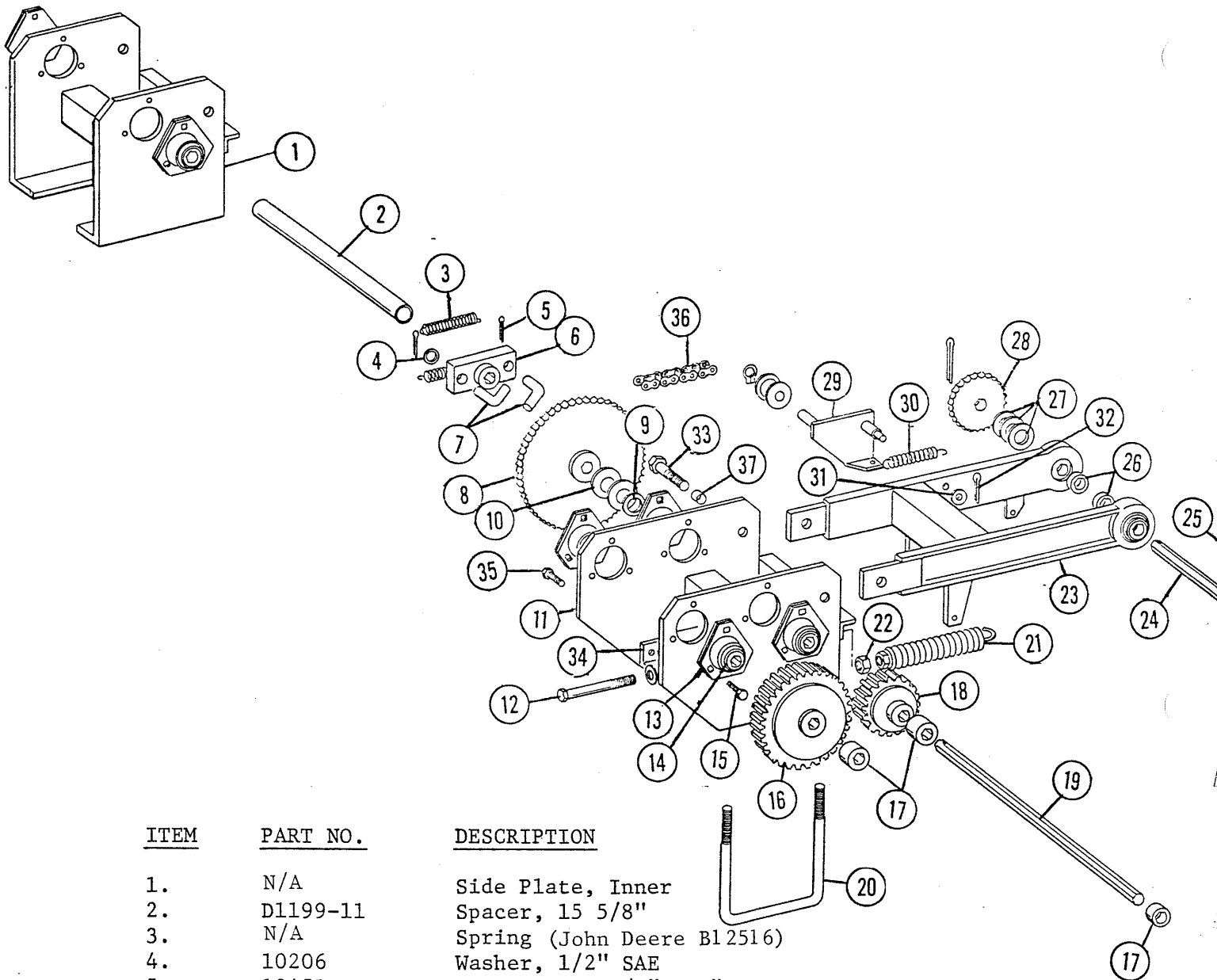


<u>ITEM</u>	<u>PART NO.</u>	<u>DESCRIPTION</u>
1.	A1784	Support, Bearing
2.	2100-03	Bearing, 7/8 Hex Bore
3.	3400-01	Flangette
4.	10019	Hex Head Cap Screw, 5/16"-18 x 1"
	10232	Lock Washer, 5/16"
	10106	Hex Nut, 5/16"-18
5.	D0917	Lock Collar, Less Set Screws
	10145	Set Screws, 5/16"-18 x 1/2"
6.	2500-14	Sprocket, 24 Tooth
7.	A2721	Support, Bearing
8.	D1134	U-Bolt, 7" x 5" x 5/8"-11
	10230	Lock Washer, 5/8"
	10104	Hex Nut, 5/8"-11
9.	D0914-72	Drive Shaft, 7/8 Hex
10.	10339	Hex Head Cap Screw, 1/2"-13 x 2", Grade 2
	10109	Lock Nut, 1/2"-13
11.	D4749	Coupler
12.		Transmission Assembly, See Transmission Assembly Page
13.	D4516-08	Drill Shaft, 7/8" x 148"
14.	10313	Carriage Bolt, 1/2"-13 x 1 1/2"
	10527	Washer, Int./Ext., 1/2"
	10228	Lock Washer, 1/2"
	10102	Hex Nut, 1/2"-13
15.	A0289	Idler W/Spool and Rings
	10435	Ring
	D1067	Spool
16.	3300-192	Chain, No. 2040, 192 Pitch Including Connector Link
	R0194	Connector Link, No. 2040

REAR DRIVE LINE



<u>ITEM</u>	<u>PART NO.</u>	<u>DESCRIPTION</u>
1.	A1784	Support, Bearing
2.	2100-03	Bearing, 7/8 Hex Bore
3.	3400-01	Flangette
4.	D0917	Lock Collar, Less Set Screws
	10145	Set Screw, 5/16"-18 x 1/2"
5.	2500-14	Sprocket, 24 Tooth
6.	A2721	Support, Bearing
7.	D1134	U-Bolt, 5/8"-11 x 7" x 5"
	10230	Lock Washer, 5/8"
	10104	Hex Nut, 5/8"-11
8.	D0914-83	Drive Shaft, 7/8 Hex
9.		Side Plate, Outer, See Drive Assembly Page
10.	10339	Hex Head Cap Screw, 1/2"-13 x 2", Grade 2
	10109	Lock Nut, 1/2"-13
11.	D4749	Coupler
12.		Transmission Assembly, See Transmission Assembly Page
13.	D4516-09	Drill Shaft, 7/8" x 168"

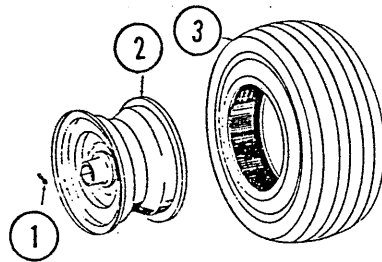


<u>ITEM</u>	<u>PART NO.</u>	<u>DESCRIPTION</u>
1.	N/A	Side Plate, Inner
2.	D1199-11	Spacer, 15 5/8"
3.	N/A	Spring (John Deere B1 2516)
4.	10206	Washer, 1/2" SAE
5.	10451	Cotter Pin, 1/8" x 1"
6.	N/A	Carrier
7.	D0743	Dog
8.	B0138	Sprocket, 48 Tooth
9.	10430	Ring
10.	N/A	Spacer
11.	N/A	Side Plate, Outer
12.	10024	Hex Head Adjusting Bolt, 7/16"-14 x 4"
	10206	Washer, 1/2" SAE
13.	3400-01	Flangette
14.	2100-03	Bearing, 7/8 Hex Bore
15.	10019	Hex Head Cap Screw, 5/16"-18 x 1"
	10232	Lock Washer, 5/16"
	10106	Hex Nut, 5/16"-18
16.	A4053	Gear, 32 Tooth
17.	D0917	Lock Collar, Less Set Screw
	10145	Set Screw, 5/16"-18 x 1/2"

DRIVE ASSEMBLY

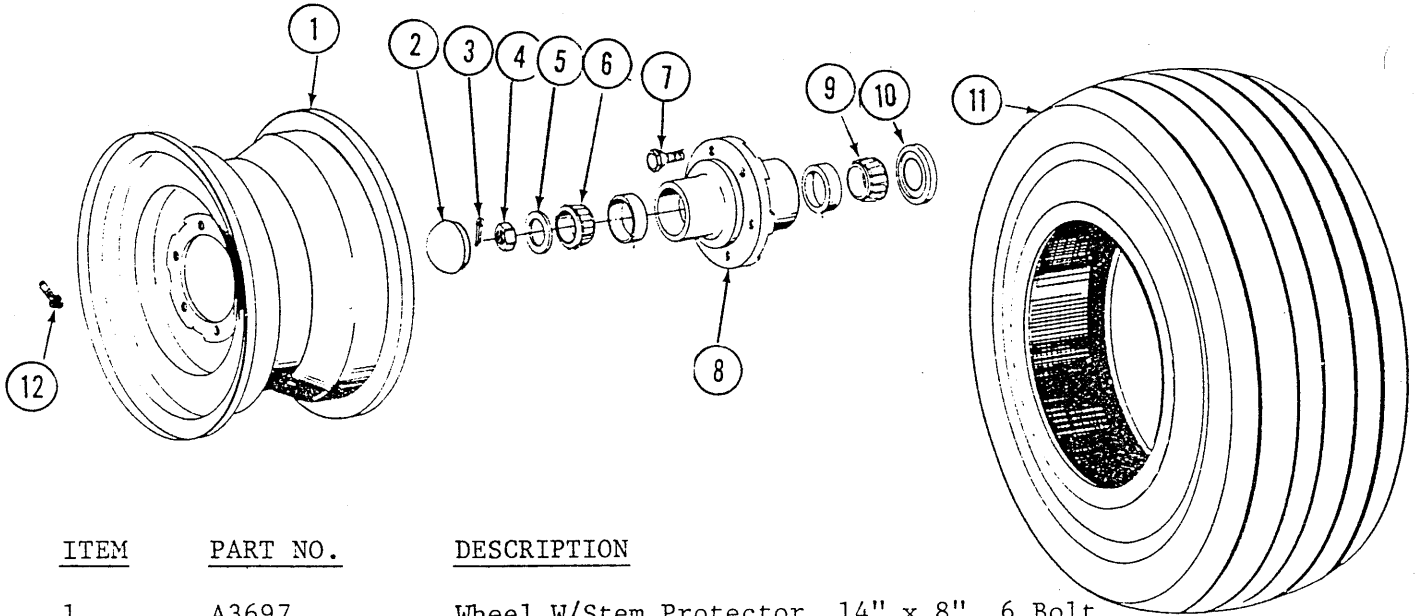
<u>ITEM</u>	<u>PART NO.</u>	<u>DESCRIPTION</u>
18.	A4054	Gear, 18 Tooth
19.	D0914-44	Shaft, 7/8 Hex
20.	D1134	U-Bolt, 5/8"-11 x 7" x 5"
	10230	Lock Washer, 5/8"
	10104	Hex Nut, 5/8"-11
21.	A2052	Spring W/Plug
22.	10502	Hex Jam Nut, 7/16"-14
23.	N/A	Arm, Outer Wheel
	N/A	Arm, Inner Wheel
24.	D4884	Shaft, 7/8" x 11 9/16"
25.	10460	Cotter Pin, 1/4" x 2"
26.	D3660-08	Sleeve, Hex
27.	10233	Bushing, Machine
28.	2500-14	Sprocket, 24 Tooth
29.	A3558	Idler W/Spool and Ring, Used on Outer Wheel Assembly
	A3559	Idler W/Spool and Ring, Used on Inner Wheel Assembly
	10435	Ring
	D0916	Spool
30.	D3791	Spring
31.	10205	Washer, 5/8" SAE
32.	10453	Cotter Pin, 3/16" x 1"
33.	10008	Hex Head Cap Screw, 5/8"-11 x 2"
	10230	Lock Washer, 5/8"
	10217	Washer, USS 5/8"
	10104	Hex Nut, 5/8"-11
34.	N/A	Angle, Mount
35.	10017	Hex Head Cap Screw, 1/2"-13 x 1 1/2"
	10228	Lock Washer, 1/2"
	10102	Hex Nut, 1/2"-13
36.	3300-60	Chain, No. 2040, 60 Pitch Including Connector Link
	R0194	Connector Link, No. 2040
37.	B0123	Bushing

DRIVE WHEEL ASSEMBLY



<u>ITEM</u>	<u>PART NO.</u>	<u>DESCRIPTION</u>
1.	D4701	Valve Stem
2.	A3553	Rim
3.	D4700	Tire, 4.8 x 8", 6 Ply

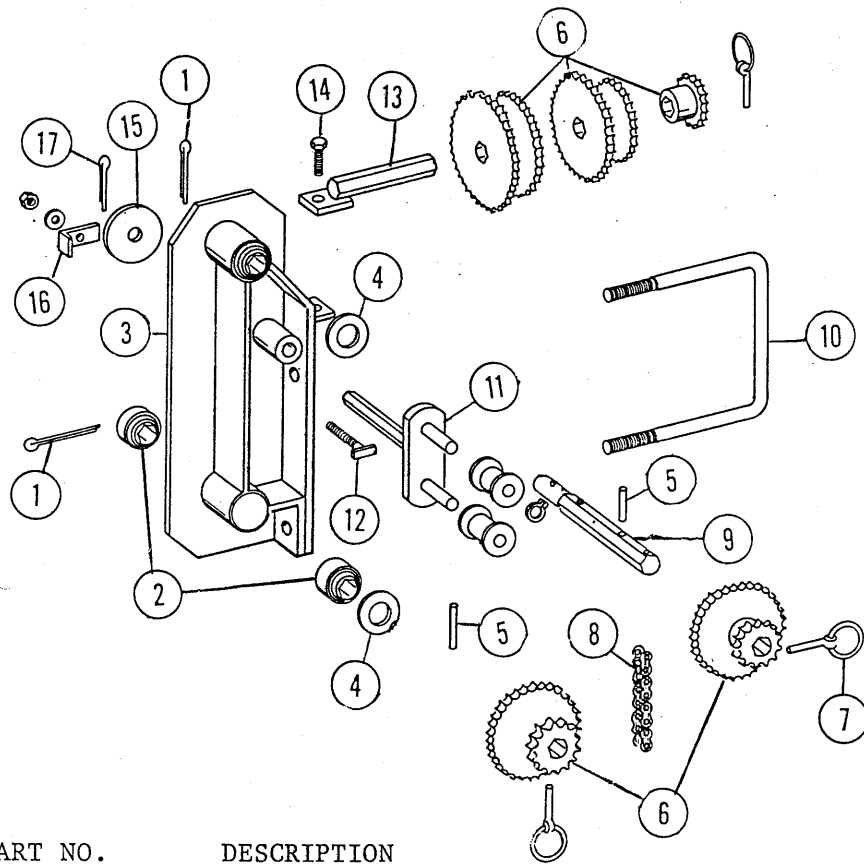
TRANSPORT WHEEL ASSEMBLY



<u>ITEM</u>	<u>PART NO.</u>	<u>DESCRIPTION</u>
1.	A3697	Wheel W/Stem Protector, 14" x 8", 6 Bolt
2.	2800-01	Cap
3.	10459	Cotter Pin, 3/16" x 1 1/2"
4.	10723	Slotted Hex Nut, 3/4"-16
5.	10224	Washer, 3/4"
6.	A0237	Bearing, Outer
7.	R0270	Bolt, 9/16"-18 x 1"
8.	2700-07	Hub W/Cups
	R0188	Cup, Outer
	R0189	Cup, Inner
9.	A0238	Bearing, Inner
10.	A0239	Seal
11.	D0839	Tire, 11L x 14"
12.	D1165	Valve Stem

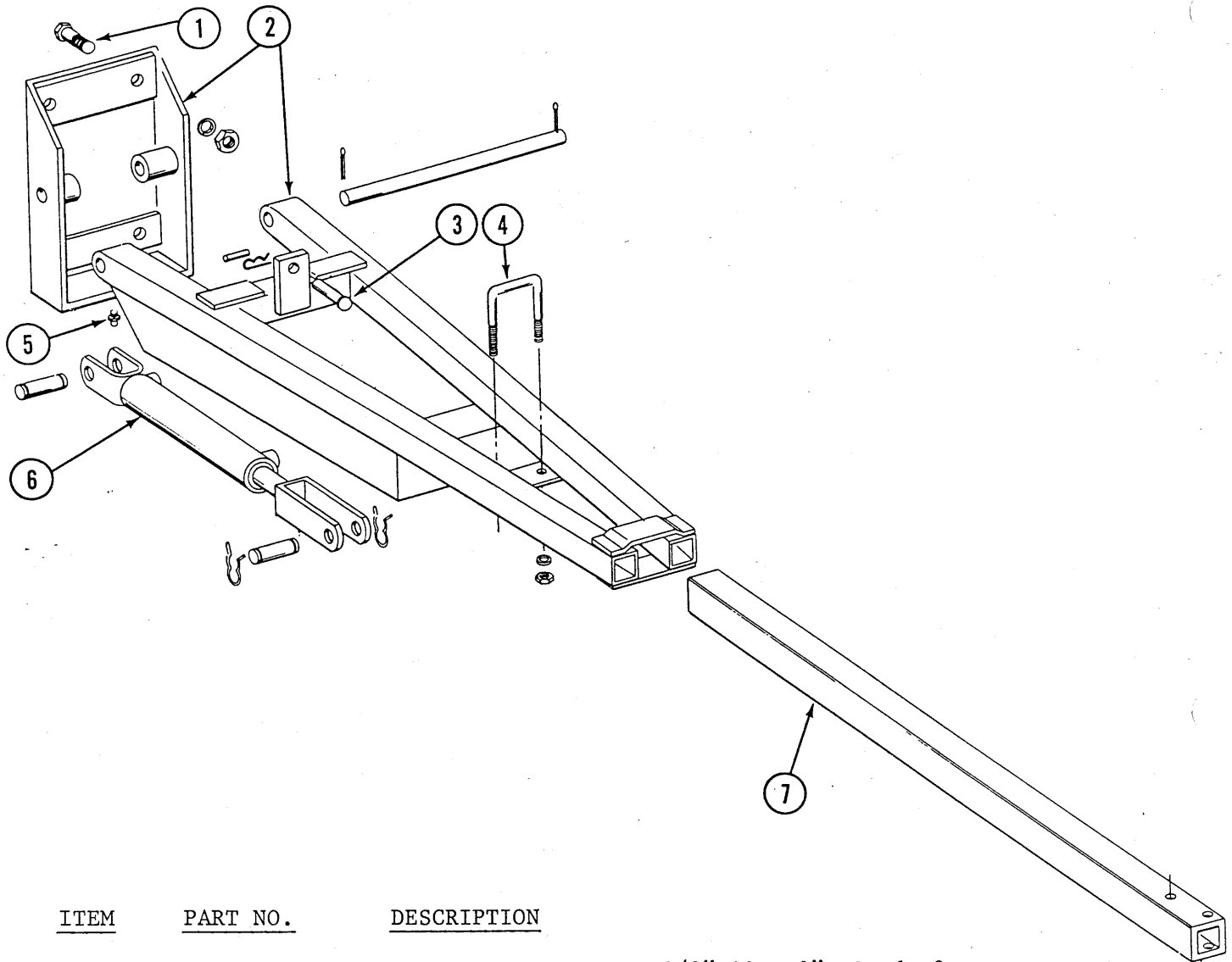


TRANSMISSION ASSEMBLY



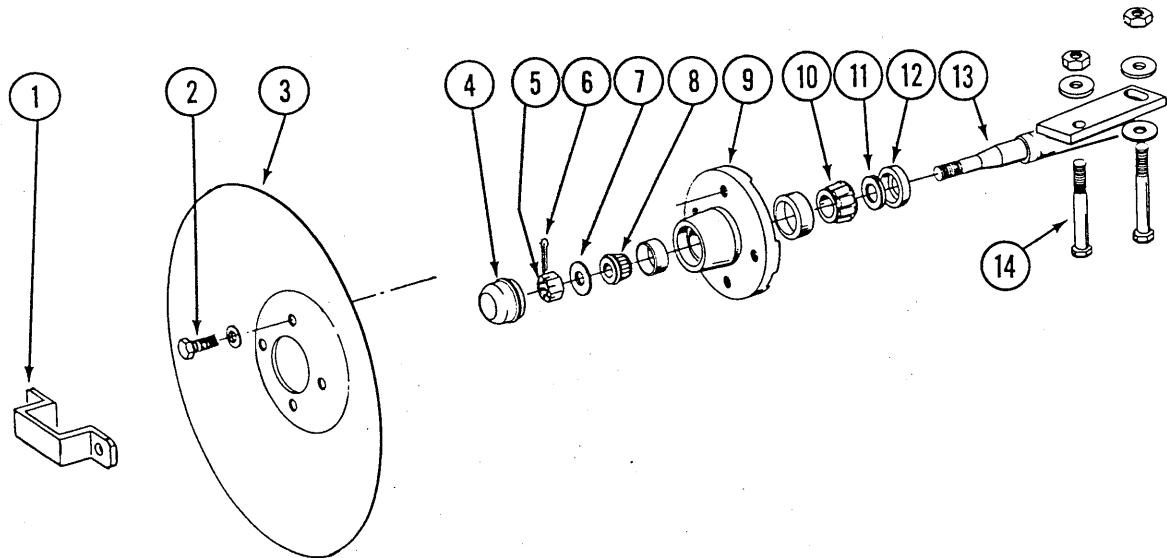
<u>ITEM</u>	<u>PART NO.</u>	<u>DESCRIPTION</u>
1.	10463	Cotter Pin, 1/4" x 1 1/2"
2.	2100-03	Bearing, 7/8 Hex Bore
3.	A3420	Plate, Transmission
4.	10233	Machinery Bushing, 1"
5.	10602	Spring Pin, 1/4" x 1 1/2"
6.	2500-25	Sprocket, 14 Tooth
	2500-26	Sprocket, 18-28 Tooth
	2500-27	Sprocket, 16-30 Tooth
	2500-28	Sprocket, 22-26 Tooth
7.	D2558	Pin, Lynch, 1/4"
8.	3300-40	Chain, No. 2040, 40 Pitch Including Connector Link
	R0194	Connector Link, No. 2040
9.	D4748	Shaft, Top
10.	D1113	U-Bolt, 5" x 7" x 5/8"-11
	10230	Lock Washer, 5/8"
	10104	Hex Nut, 5/8"-11
11.	A0503	Idler W/Spools and Rings
	D1067	Spool
	10435	Ring
12.	A3428	T-Bolt
	10229	Lock Washer, 3/8"
	10101	Hex Nut, 3/8"-16
13.	A1786	Rod, Sprocket Storage
14.	10019	Hex Head Cap Screw, 5/16"-18 x 1"
	10232	Lock Washer, 5/16"
	10106	Hex Nut, 5/16"-18
15.	A1668	Lock, Idler
16.	D2495	Angle, Idler Lock
17.	10670	Hair Pin Clip, No.3

MARKER ASSEMBLY



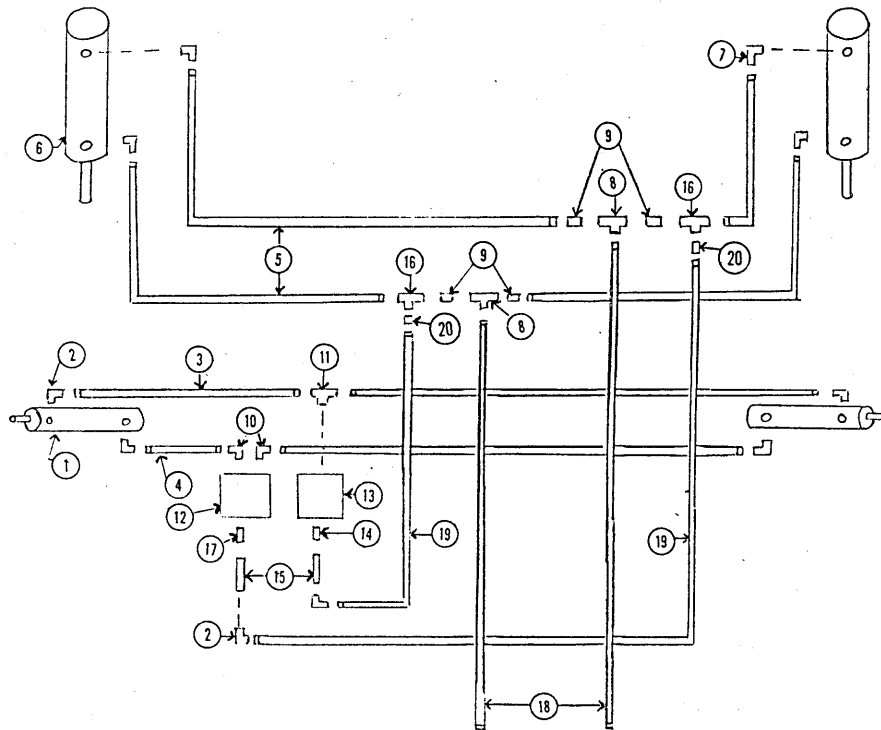
<u>ITEM</u>	<u>PART NO.</u>	<u>DESCRIPTION</u>
1.	10167	Hex Head Cap Screw, 1/2"-13 x 2", Grade 2
	10228	Lock Washer, 1/2"
	10102	Hex Nut, 1/2"-13
2.	A2293	Arm W/Mount and Pin, 64"
	A2294	Mount
	D0438	Pin, 7/8" x 13 1/2"
	10460	Cotter Pin, 1/4" x 2"
3.	D0462	Pin, Lockup
	10670	Hair Pin Clip, No. 3
	10187	Spring Pin, 5/32" x 2"
4.	D2721	U-Bolt, 2" x 2" x 1/2"-13
	10228	Lock Washer, 1/2"
	10102	Hex Nut, 1/2"-13
5.	10640	Grease Fitting, 1/4"-28
6.		Cylinder, 2" x 8", See Cylinder Page
7.	D0453-02	Extension Tube, 40"

MARKER HUB ASSEMBLY



<u>ITEM</u>	<u>PART NO.</u>	<u>DESCRIPTION</u>
1.	D2597	Retainer
2.	10722	Hex Head Cap Screw, 1/2"-20 x 1"
	10228	Lock Washer, 1/2"
3.	D0746	Blade, 16"
4.	D0840	Cap
5.	10725	Slotted Hex Nut, 5/8"-18
6.	10470	Cotter Pin, 5/32" x 1"
7.	10724	Washer, 5/8" SAE
8.	A0257	Bearing, Outer
9.	A0167	Hub W/Cups
	R0151	Cup, Outer
	R0150	Cup, Inner
10.	A0245	Bearing, Inner
11.	A0899	Seal, Rubber
12.	A0243	Seal, Grease
13.	A1677	Spindle, L.H., Less Hardware (Shown)
	A1676	Spindle, R.H., Less Hardware
14.	10033	Hex Head Cap Screw, 1/2"-13 x 3 1/2"
	10168	Bushing, Machine, 1/2"
	10102	Hex Nut, 1/2"-13
A.	A1679	Hub and Spindle Assembly, L.H.
	A1678	Hub and Spindle Assembly, R.H. (Includes Items 2 and 4 thru 13)

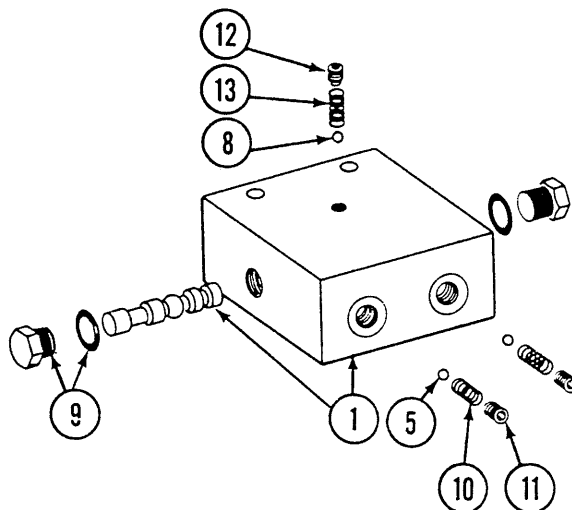
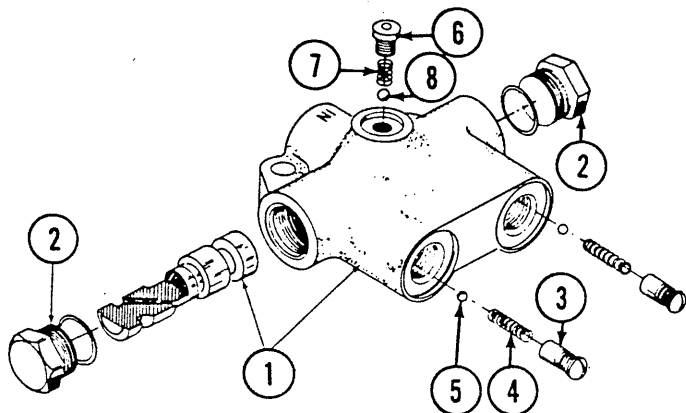
HYDRAULIC SYSTEM



<u>ITEM</u>	<u>PART NO.</u>	<u>DESCRIPTION</u>
1.		Marker Cylinder, 2" x 8", See Cylinder Page
2.	2501-06-06	Elbow, 90°
3.	A1134	Hose Assembly, 1/4" x 116"
4.	A1103	Hose Assembly, 1/4" x 110"
5.	A1041	Hose Assembly, 3/8" x 130"
6.		Lift Cylinder, 2 1/2" x 20", See Cylinder Page
7.	2501-08-08	Elbow, 90°
8.	2603-10	Tube Tee
9.	2406-10-08	Tube Reducer
10.	6801-06-08	Elbow, 90°
11.	2601-06-06	Tee
12.		Sequencing Valve, See Sequencing Valve Page
13.	D2530	Mounting Block
14.	5404-06-06	Pipe Coupling
15.		Flow Control Valve, See Flow Control Valve Page
16.	6602-08	Tee
17.	6401-08-06	Adapter, Straight
18.	A1414	Hose Assembly, 1/2" x 108"
19.	A1146	Hose Assembly, 1/4" x 12"
20.	2406-08-06	Reducer
21.	10326	Hex Head Cap Screw, 3/8"-16 x 3 3/4"
	10210	Washer, 3/8" USS
	10229	Lock Washer, 3/8"
	10101	Hex Nut, 3/8"-16
	(Not Shown)	Hardware used to mount sequencing valve to valve block.
22.	10004	Hex Head Cap Screw, 3/8"-16 x 1 1/4"
	10229	Lock Washer, 3/8"
	(Not Shown)	Hardware used to mount valve block to planter.

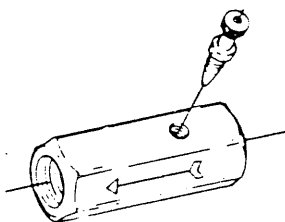
Style A

Style B



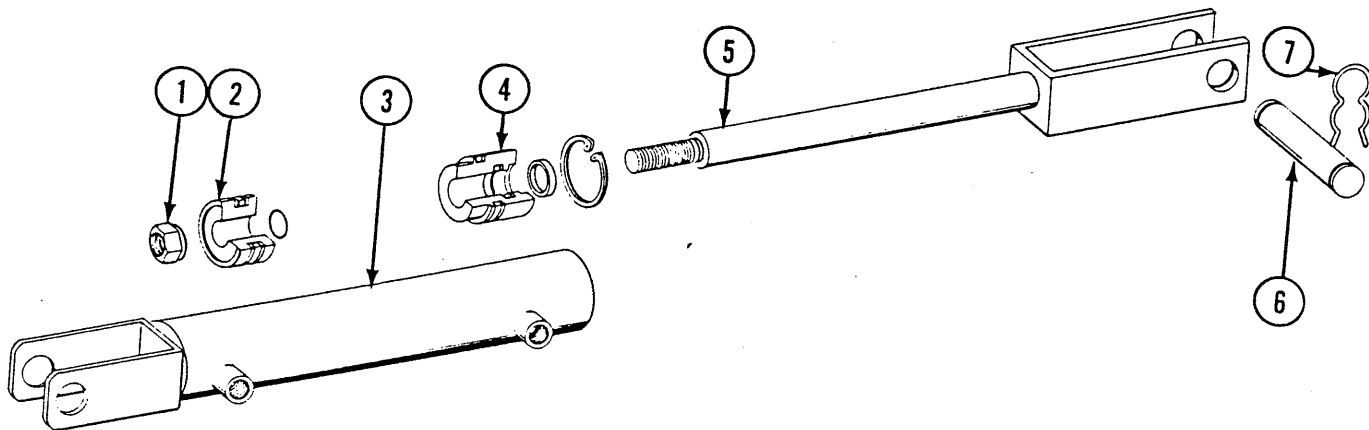
<u>ITEM</u>	<u>PART NO.</u>	<u>DESCRIPTION</u>
1.		Valve Body and Spool
2.	R271	Plug Assembly, O-Ring Boss
3.	R273	Retainer, Check Valve
4.	R277	Spring, Check Valve
5.	R275	Ball, Check 3/16" Diameter
6.	R274	Plug Assembly, O-Ring Boss
7.	R278	Spring
8.	R276	Ball, 1/4" Diameter
9.	R811	Plug Assembly, O-Ring Boss
10.	R812	Spring
11.	R813	Set Screw, Special
12.	10334	Hex Socket Pipe Plug, 1/16"
13.	R814	Spring
A.	A282A	Sequencing Valve, Complete, Style A
B.	A282B	Sequencing Valve, Complete, Style B

FLOW CONTROL VALVE



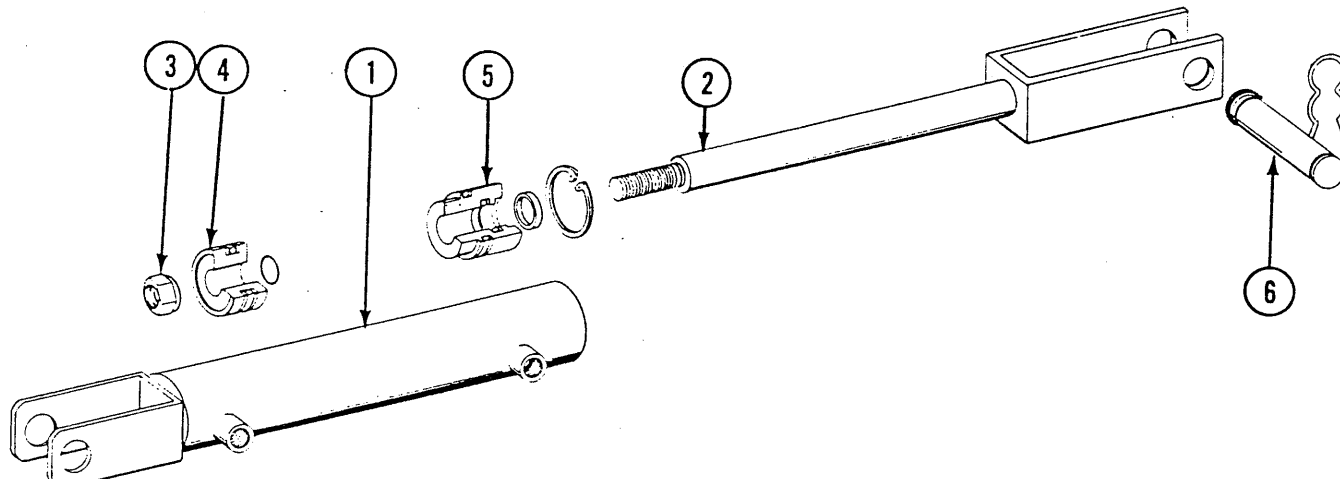
<u>ITEM</u>	<u>PART NO.</u>	<u>DESCRIPTION</u>
*A.	A270A	Flow Control Valve Assembly
	R103	Needle Valve Only
**B.	A270B	Flow Control Valve Assembly
	R642	Needle Valve Only
***C.	A270C	Flow Control Valve Assembly
	R767	Needle Valve Only

\* To identify - RegoKLF375 stamped on valve body.  
 \*\* To identify - Deltrol stamped on valve body.  
 \*\*\* To identify - Partrol stamped on valve body.



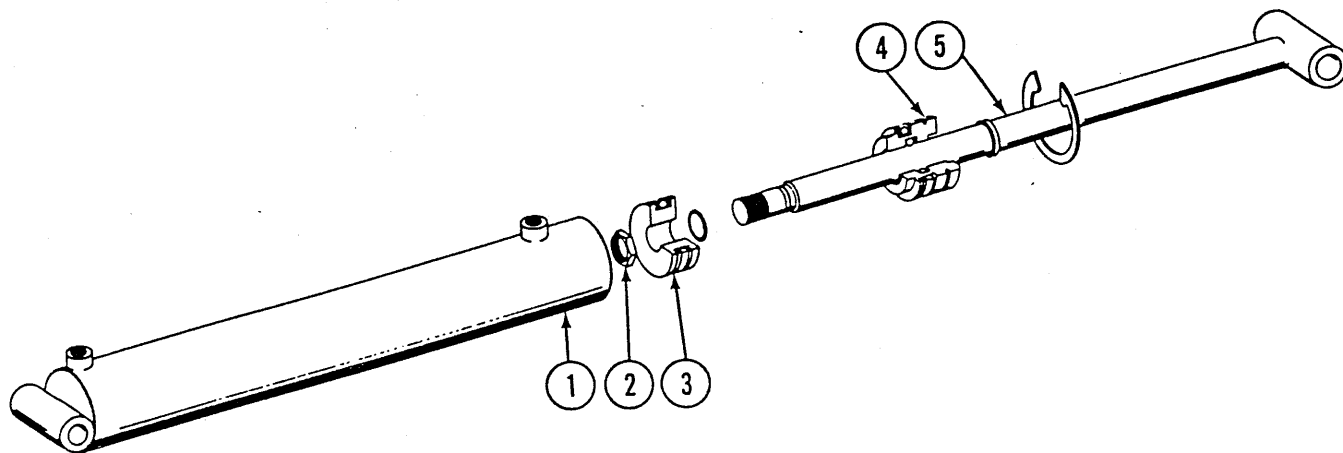
<u>ITEM</u>	<u>PART NO.</u>	<u>DESCRIPTION</u>
1.	R0366	Hex Nut, 3/4" NF
2.	R0365	Piston
3.	R0362	Tube Assembly
4.	R0364	Head Gland
5.	R0363	Shaft Assembly
6.	R0367	Clevis Pin
7.	R0193	Hair Pin Clip
*A.	A1674A	Cylinder Complete, 2" x 8"
B.	R0368	Seal Kit, Includes: (4) O-Rings, (3) Backup Washers, (1) Rod Wiper and (1) Retaining Ring

\* To identify - DN 13081 stamped on barrel.

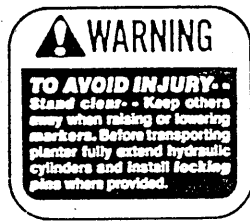


<u>ITEM</u>	<u>PART NO.</u>	<u>DESCRIPTION</u>
1.	R0157	Cylinder Body
2.	R0158	Piston Rod
3.	R0159	Hex Nut, 7/8" UNF
4.	R0160	Piston
5.	R0161	Piston Rod Guide
6.	R0162	Clevis Pin W/Clip
	R0193	Hair Pin Clip
*A.	A1674B	Cylinder Complete, 2" x 8"
B.	R0154	Seal Kit, Includes: (4) O-Rings, (3) Backup Washers, (1) Rod Wiper and (1) Retaining Ring

\*To identify - No markings on barrel.



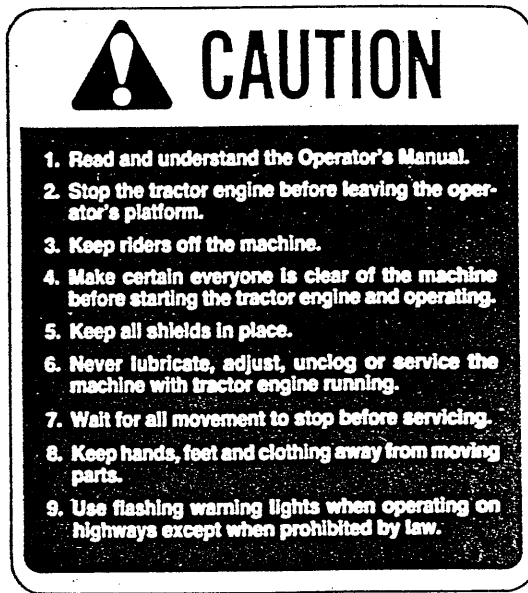
<u>ITEM</u>	<u>PART NO.</u>	<u>DESCRIPTION</u>
1.	R0134	Tube Assembly
2.	R0138	Hex Nut, 7/8" UNF
3.	R0137	Piston
4.	R0136	Head Gland
5.	R0135	Shaft Assembly
A.	A0233	Cylinder Complete, 2 1/2" x 20"
B.	R0139	Seal Kit, Includes: (4) O-Rings, (4) Backup Washers, (1) Wiper and (1) Lock Ring



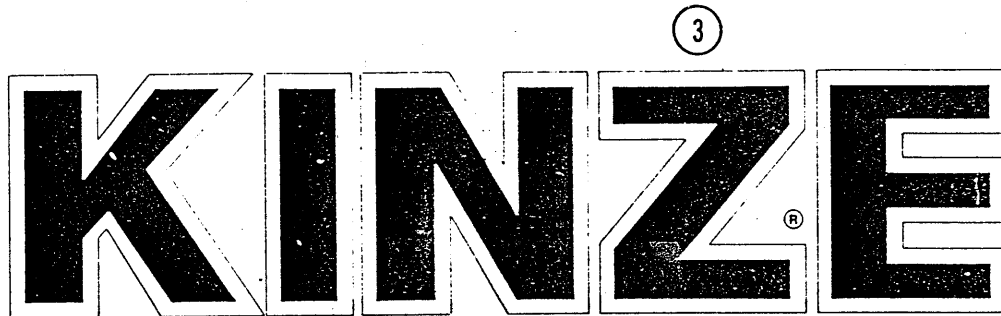
1



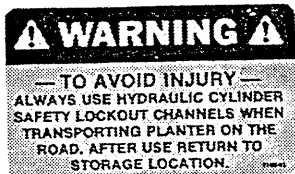
4



2



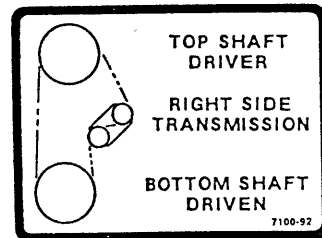
3



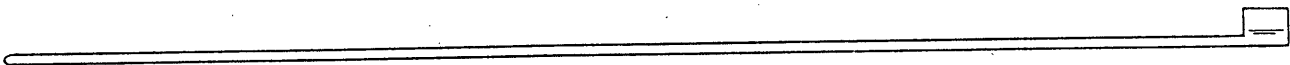
5



6



7



8

ITEM	PART NO.	DESCRIPTION
1.	7100-42	Decal, Warning
2.	7100-46	Decal, Caution
3.	7100-54	Decal, Kinze
4.	7100-56	Decal, Caution
5.	7100-83	Decal, Warning
6.	7100-90	Decal, Warning
7.	7100-92	Decal, Transmission
8.	D1512	Tie Strap, 6"
	D2984	Tie Strap, 33"



NUMERICAL INDEX

<u>PART NO.</u>	<u>PAGE</u>	<u>PART NO.</u>	<u>PAGE</u>	<u>PART NO.</u>	<u>PAGE</u>
10004	16	10641	7	A1134	16
10008	11	10670	7, 13, 14	A1146	16
10017	11	10722	15	A1414	16
10019	8, 10, 13	10723	12	A1668	13
10024	10	10724	15	A1674A	18
10033	15	10725	15	A1674B	18
10101	13, 16	2100-03	8, 9, 10,	A1676	15
10102	8, 11, 14,		13	A1677	15
	15	2406-08-06	16	A1678	15
10104	7, 8, 9,	2406-10-08	16	A1679	15
	11, 13	2500-14	8, 9, 11	A1784	8, 9
10105	7	2500-25	13	A1786	13
10106	8, 10, 13	2500-26	13	A2052	11
10109	8, 9	2500-27	13	A2293	14
10111	7	2500-28	13	A2294	14
10145	8, 9, 10	2501-06-06	16	A2721	8, 9
10157	7	2501-08-08	16	A2913	7
10167	14	2601-06-06	16	A3420	13
10168	15	2603-10	16	A3428	13
10169	7	2700-07	12	A3525	10
10187	14	2800-01	12	A3526	11
10205	11	3300-192	8	A3553	12
10206	10	3300-40	13	A3558	11
10210	16	3300-60	11	A3559	11
10217	11	3400-01	8, 9, 10	A3693	7
10224	12	4100-02	7	A3694	7
10228	8, 11, 14	5404-06-06	16	A3696	7
	15	6401-08-06	16	A3697	12
10229	13, 16	6602-08	16	A3699	7
10230	7, 8, 9,	6801-06-08	16	A3700	7
	11, 13	7100-42	20	A3701	10
10231	7	7100-46	20	A3702	10
10232	8, 10, 13	7100-54	20	A3705	11
10233	11, 13	7100-56	20	A3707	11
10313	8	7100-83	20	A3708	11
10326	16	7100-90	20	A3709	11
10334	17	7100-92	20	A3712	10
10339	8, 9	A0167	15	A3714	10
10341	7	A0233	19	B0123	11
10342	7	A0237	12	B0156	7
10430	10	A0238	12	D0438	14
10435	8, 11, 13	A0239	12	D0453-02	14
10451	10	A0243	15	D0459-60	7
10453	11	A0245	15	D0462	14
10459	12	A0257	15	D0743	10
10460	7, 11, 14	A0270A	17	D0744	10
10461	7	A0270B	17	D0746	15
10463	13	A0270C	17	D0752-21	7
10470	15	A0282A	17	D0839	12
10502	11	A0282B	17	D0840	15
10527	8	A0289	8	D0914-44	11
10561	7	A0503	13	D0914-72	8
10602	13	A0899	15	D0914-83	9
10640	14	A1041	16	D0916	11
		A1103	16		

NUMERICAL INDEX

<u>PART NO.</u>	<u>PAGE</u>	<u>PART NO.</u>	<u>PAGE</u>
D0917	8, 9, 10	R0275	17
D1067	8, 13	R0276	17
D1113	13	R0277	17
D1134	8, 9, 11	R0278	17
D1165	12	R0362	18
D1199-11	10	R0363	18
D1512	20	R0364	18
D1747	7	R0365	18
D2495	13	R0366	18
D2530	16	R0367	18
D2558	13	R0368	18
D2597	15	R0642	17
D2721	14	R0767	17
D2984	20	R0811	17
D3561	7	R0812	17
D3660-08	11	R0813	17
D3791	11	R0814	17
D4463-03	10		
D4516-08	8		
D4516-09	9		
D4700	12		
D4701	12		
D4748	13		
D4749	8, 9		
D4863	7		
D4871	7		
D4878	11		
D4884	11		
R0103	17		
R0134	19		
R0135	19		
R0136	19		
R0137	19		
R0138	19		
R0139	19		
R0150	15		
R0151	15		
R0154	18		
R0157	18		
R0158	18		
R0159	18		
R0160	18		
R0161	18		
R0162	18		
R0188	12		
R0189	12		
R0193	18		
R0194	8, 11, 13		
R0255	7		
R0270	12		
R0271	17		
R0273	17		
R0274	17		