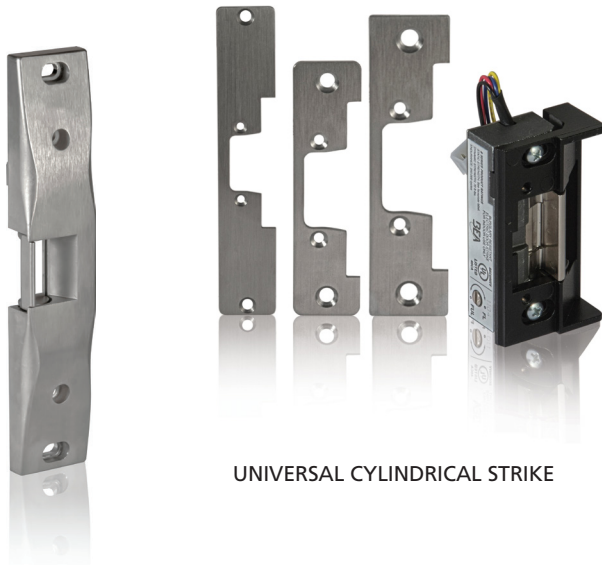


ELECTRIC STRIKES

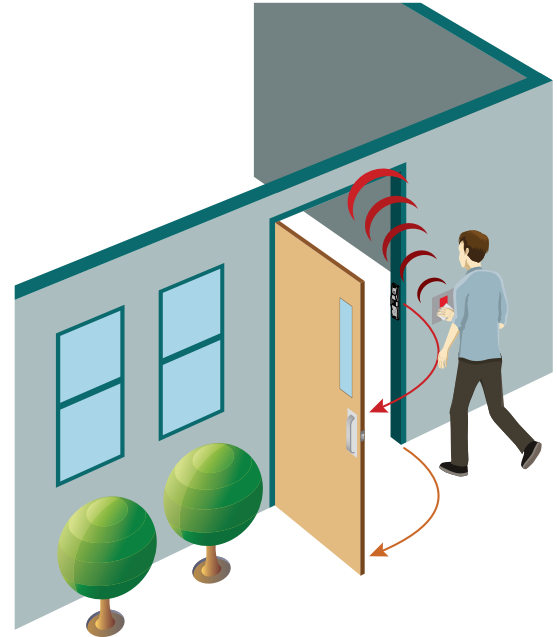
RIM EXIT & UNIVERSAL CYLINDRICAL STRIKES FOR ACCESS CONTROL



PRIMARY APPLICATIONS



UNIVERSAL CYLINDRICAL STRIKE



RIM EXIT STRIKE

DESCRIPTION

BEA's Electric Strike portfolio includes Rim Exit and Universal Cylindrical strikes for access control applications.

The Rim Exit strike is designed specifically for rim exit devices. This strike is completely surface mounted, which eliminates the need to cut into the door frame.

The Universal Cylindrical strike provides controlled access and security for egress and ingress applications where code compliance and safety are paramount. This strike is UL 294 listed and has been independently tested for over one million cycles of operation.

FEATURES & BENEFITS

- Three modular faceplates for the most common door types: hollow metal, aluminum and wood
- Accepts 0.50 inch or 0.625 inch latch projections - a perfect compliment for narrow style aluminum frames
- UL 294 listed Universal Cylindrical strike
- Conventional keeper design promotes even-load distribution in the event of a forced entry
- Reinforced housing reduces twisting on imperfect frames
- UL / ULC listed for up to 1500 lbs of static strength



BEA, Inc.
RIDC Park West
100 Enterprise Drive
Pittsburgh, PA 15275-1213

Customer Service: 800.523.2462
Technical Support: 800.407.4545
www.BEAinc.com

APPLICATIONS



TECHNICAL SPECIFICATIONS

10STRIKERE

Mode	Fail Safe		
Voltage	12 VAC / VDC	24 VAC / VDC	11 VAC / 16 VDC
Duty	Intermittent, Continuous	Intermittent, Continuous	Intermittent, Intermittent
Sound	Buzz, Silent	Buzz, Silent	Buzz, Buzz
Amps †	0.30, 0.50	0.64, 0.24	0.35, 0.50
Ohms ‡	22, 22	22, 89	22, 22

10STRIKECU

Mode	Fail Safe, Fail Secure		
Voltage	12 VDC	24 VDC	12 – 24 VAC
Duty	Continuous	Continuous	Intermittent
Sound	Silent	Silent	Buzz
Amps †	0.375	0.190	0.280 – 0.565
Ohms ‡	37	148	37

Fail Safe – Lock or locking device that remains unlocked on loss of power

Fail Secure – Lock or locking device that remains locked on loss of power. Also known as Non-Fail Safe (NFS)

Intermittent Duty – Energized less than 1 minute with duty ratio 1:5

Continuous Duty – Energized 1 minute or more

† Amp ratings are based on maximum current draw at 50 °F and include initial power-up current

‡ Nominal resistance at 77 °F ±7% tolerance

RELATED PRODUCTS



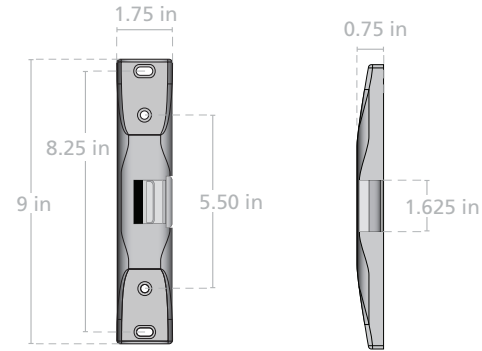
10STRIKERE
RIM EXIT
ELECTRIC STRIKE



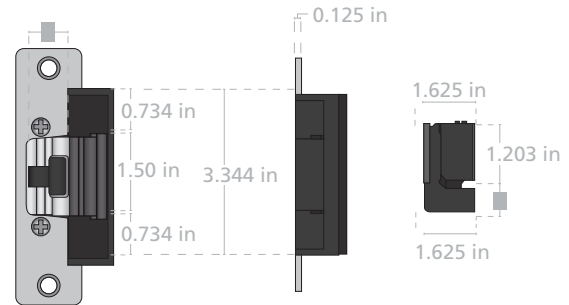
10STRIKECU
UNIVERSAL
CYLINDRICAL
ELECTRIC STRIKE

DIMENSIONAL DRAWINGS

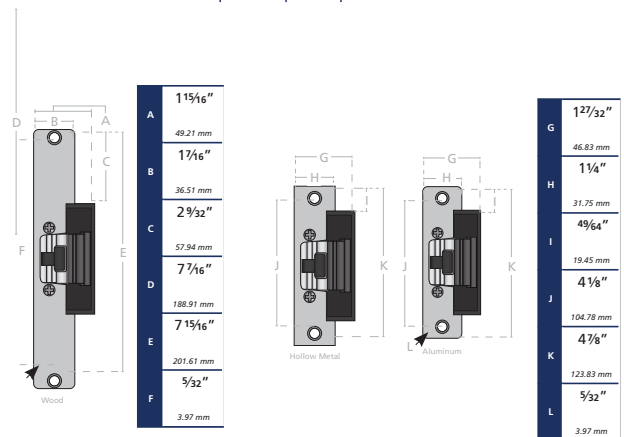
Rim Exit



Universal Cylindrical



A	Default	Min	Max
Inches	1 ³ / ₁₆ "	4 ⁵ / ₆₄ "	3 ¹ / ₃₂ "
Millimeters	20.64 mm	17.86 mm	24.61 mm
B	Default	Min	Max
Inches	2 ¹ / ₃₂ "	1/2"	4 ⁹ / ₆₄ "
Millimeters	16.67 mm	12.7 mm	19.45 mm



www.BEAinc.com

© 2018 BEA, Inc. All rights reserved.

ELECTRIC STRIKES

RIM EXIT & UNIVERSAL CYLINDRICAL STRIKES FOR ACCESS CONTROL

BEA, Inc.
RIDC Park West
100 Enterprise Drive
Pittsburgh, PA 15275-1213

Customer Service: 800.523.2462
Technical Support: 800.407.4545

