



## Digi-Code

72-5200 C

### Mounted Exterior Keypad (DC-5200A - 300MHz) (DC-5202A - 310MHz)

#### Features

The Mounted Exterior Keypad is a battery-operated device that will operate a Digi-Code receiver or a Stanley garage door opener using a four-digit **PIN (Personal Identification Number)**. Pressing four preprogrammed numbers on the keypad sends a radio signal to the receiver or door opener that controls the garage door or gate operator. See Figure 1.

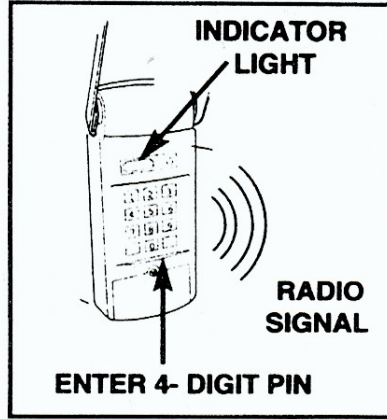


Figure 1

Pressing any key will light the keypad.

The keypad works with both Digi-Code Receivers (DC-5200 & DC-5202) and Stanley **Digital** type door openers.(DC-5202 ONLY)

The keypad will store the last **PIN** entered in its memory, even if the battery is removed.

Pressing any key within 30 seconds after the door has been activated will activate the door again.

#### **⚠** WARNINGS

- Mount the keypad **OUT OF THE REACH OF CHILDREN** at least five feet above the ground.
- **NEVER** allow children to operate the keypad.
- Disconnect power from the door opener before installation.
- Wear safety glasses to protect your eyes during installation.

#### Section 1: General Installation of Your Exterior Keypad

Tools Required:

- Drill with 1/8" bit
- Flathead screwdriver
- Pencil
- Measuring tape

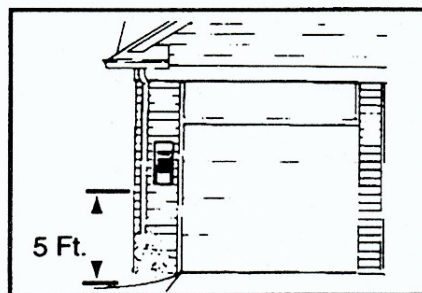
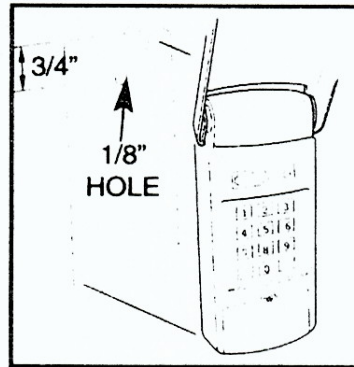
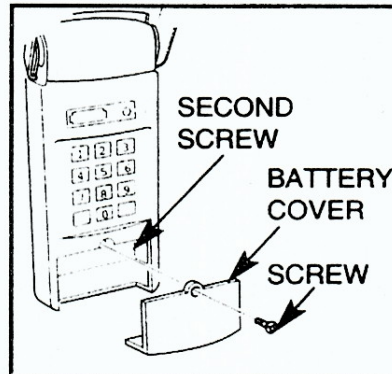


Figure 2

1. Choose a location that will not interfere with the normal operation of the door or gate. See Figure 2.
2. Hold the keypad at the selected location. Using your pencil, mark the wall at the center on the top of the unit.
3. Drill a 1/8" hole 3/4" directly below this mark. See Figure 3.
4. Tighten a screw in the hole until the head is sticking out about 1/16".
5. Hang the unit on the screw. Adjust screw as required for a snug fit.
6. Remove the battery cover to expose the second screw hole. See Figure 4.
7. Mark the position of the second screw with the pencil through the screw hole.
8. Drill another 1/8" hole for the second screw.
9. Tighten the second screw in the hole.
10. Install the battery and replace the battery cover.



**Figure 3**



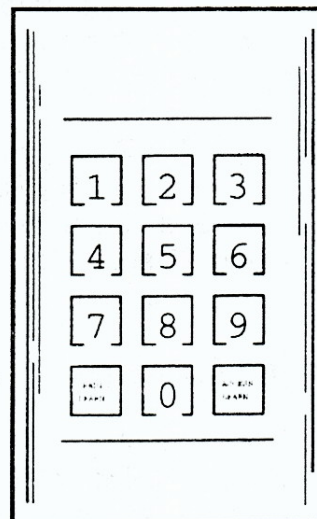
**Figure 4**



**NORTH SHORE**  
COMMERCIAL DOOR CO.

**Section 2: Programming to a Digi-Code Receiver (Models DC-5200 & DC-5202) or a Stanley Digital type Garage Door Opener (Model DC-5202 ONLY).**

1. Refer to the DIP switch settings in your receiver or the back of your opener and take notes on the chart to the upper right which switches are in the "On" or "Closed" positions. You must have at least 1 of the 10 switches closed.
2. Press the Radio Learn button twice. The light by the Digi-Code label will come on and stay on.
3. Press the numbers that represent the closed switches on the receiver or the garage door opener (i.e. if switches 2,4, and 6 are closed, enter 246. For switch position 10, use the 0 key).
4. Press the Radio Learn button once.
5. To test if you have properly programmed in the radio code, enter the factory set PIN (1-2-3-4). The receiver or opener should operate.



**Figure 7**

### **SECTION 3: PROGRAMMING A NEW PRIMARY PERSONAL IDENTIFICATION NUMBER (PIN).**

1. Press the Access Learn button twice. After doing this, the light by the Digi-Code label will come on and stay on.
2. Enter 1-2-3-4 (Factory Default), then your new 4-digit **PIN** or if you have already programmed your **PIN** - enter this number and then the new **PIN** you wish to change it to.
3. Press the Access Learn button once. The light by the Digi-Code label will turn off. The new **PIN** number has been accepted.

### **SECTION 4 : TO ENTER A SECONDARY PIN # ( 14 TOTAL CAN BE ADDED ).**

- STEP 1.** Press "**ACCESS LEARN**" button **twice** ( led lights up )
- STEP 2.** Enter *YOUR* **primary PIN number** \_ \_ \_ \_ ( **must** be four digits )
- STEP 3.** Press "**RADIO LEARN**" button **once**
- STEP 4.** Enter secondary PIN number \_ \_ \_ \_ ( **must** be four digits )
- STEP 5.** Press the "**ACCESS LEARN**" button **once** ( led goes out ) - the new secondary PIN is now set and you exit program mode.

### **SECTION 5: TO CLEAR OUT INDIVIDUAL SECONDARY PIN # 's:**

- STEP 1.** Press "**ACCESS LEARN**" button **twice** ( led lights up )
- STEP 2.** Enter *YOUR* **primary PIN number** \_ \_ \_ \_ ( **must** be four digits )
- STEP 3.** Press "**RADIO LEARN**" button **once**
- STEP 4.** Enter secondary PIN number \_ \_ \_ \_ you wish to **delete**
- STEP 5.** Press the "**RADIO LEARN**" button **once** ( led goes out ) -the secondary PIN is now deleted and you exit program mode.

### **SECTION 6: TO CLEAR OUT ALL SECONDARY PIN # 's AT ONE TIME :**

- STEP 1.** Press "**ACCESS LEARN**" button **twice** ( led lights up )
- STEP 2.** Enter *YOUR* **primary PIN number** \_ \_ \_ \_ ( **must** be four digits )
- STEP 3.** Press "**RADIO LEARN**" button **once**
- STEP 4.** Enter **four zero's ( 0-0-0-0 )**
- STEP 5.** Press the "**RADIO LEARN**" button **once** ( led goes out ) - **ALL** secondary PIN numbers are now deleted and you exit program mode.

### **SECTION 7: CLEAR ALL MEMORY - RETURN TO FACTORY DEFAULT SETTINGS.**

1. Press and hold both the Radio Learn and Access Learn buttons for approximately 10 seconds until the lights on the keypad go off. The unit now has a factory default PIN of 1234 **and ALL** radio codes have been erased.

#### **Normal Operation**

When the keypad is programmed properly, the gate should operate by pressing the four digits of your **PIN**. The gate will activate after pressing the fourth number and the indicator light will stay on for one second to show that the signal is being sent to the receiver. The keypad will blink on and off.

After each keystroke, the indicator will light.

After pressing any key, all the keys will light up.



### Digital Type Switches

If the flat side or the side you push down is toward the number, then the switch is ON.



Code = 1,2,3,9

Write the "ON" numbers of your RADIO CODE in the boxes shown below at this time. A "RADIO CODE" with ALL positions open (OFF) or ALL jumper wires clipped can NOT be used.

Switches

--	--	--	--	--	--	--	--	--	--

1 (Up to 10 numbers) 10

### Troubleshooting

The correct PIN must be entered within 20 keystrokes; otherwise the keypad will stop operation for 5 minutes. The user has 25 seconds between keystrokes to enter the correct code.

If you forget your PIN, you will have to clear all memory (refer to section 7) and reprogram your keypad again. (Refer to section 2 and section 3.)

If the keypad lights go off after the first keystroke, the battery needs replacing.

### Battery Replacement

The keypad uses a 9-volt battery.



**NORTH SHORE**  
COMMERCIAL DOOR CO.

### WARRANTY

All Digi-code door related products carry an eighteen (18) month warranty against defects in workmanship or material. This warranty begins at the date of manufacture, for eighteen months. Digi-Code warrants our products only to our authorized dealers and distributors, and not to the end customer. If you have any questions about our warranty, please ask your dealer to determine the nature and scope of their warranty. Digi-Code does not assume, and is not responsible for, any real or consequential damages from claims against the performance of our product, nor is it liable for any costs related to the loss of life, property, or revenue. Further, Digi-Code is in no way responsible for installation of our product, and will assume no cost related to reinstallation or removal. Digi-Code's warranty is in lieu of all other warranties, expressed, or implied.

### CAUTION:

Any changes or modifications in intentional or unintentional radiators which are not expressly approved by Digi-Code Inc. could void the users authority to operate this equipment. This applies to intentional and unintentional radiators certified per part 15 of the FCC rules and regulations.