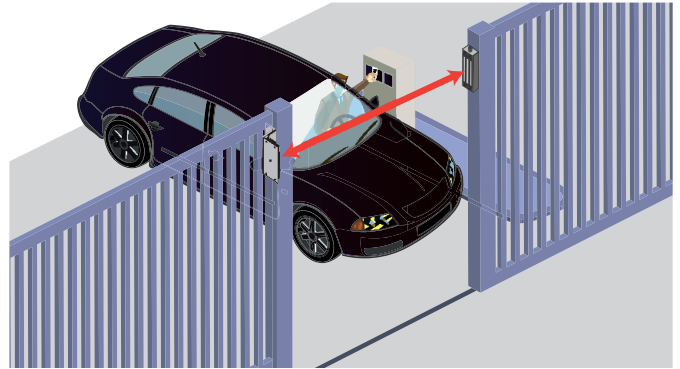
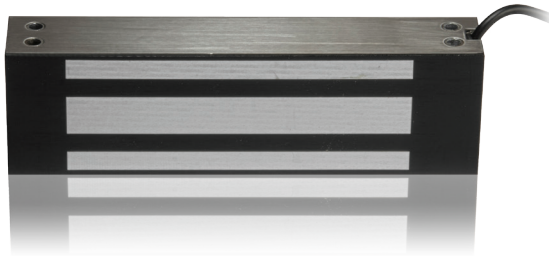


UL LISTED GATELOCKS

WEATHER RESISTANT, ELECTROMAGNETIC LOCK



PRIMARY APPLICATIONS



DESCRIPTION

BEA's UL Listed Gatelocks are designed to withstand the elements, featuring a stainless steel exterior and NEMA 4 enclosure to protect internal electronics. It's weather-resistant construction makes it ideal for industrial gate and exterior door applications.

With a holding force of 1,200 lbs, the Gate Lock is available in both a front mount model for sliding gates and a side mount model for swinging doors/gates. These locks include a built-in lock status sensor with an output relay.

FEATURES & BENEFITS

- Available in front or side mount with a 1,200 lb holding force
- Front mount model comes with a 3/4 inch male NPS threaded conduit fitting
- Built-in remote lock status sensor with an output relay
- Built-in surge protection
- Weather-resistant, stainless steel housing makes these locks suitable for outdoor applications



BEA, Inc.
RIDC Park West
100 Enterprise Drive
Pittsburgh, PA 15275-1213

Customer Service: 800.523.2462
Technical Support: 800.407.4545
www.BEAinc.com

TECHNICAL SPECIFICATIONS

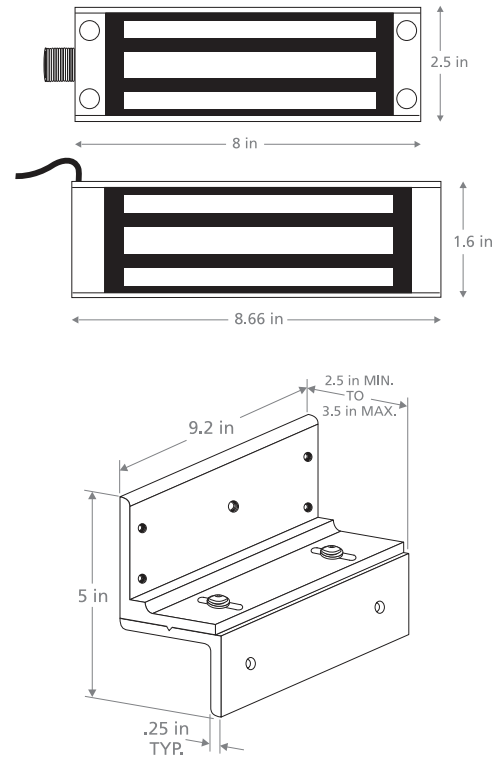
10GL1200R

Door Configuration	Sliding Gate, front mount
Holding Force	1,200 lbs
Input Voltage	12/24 VDC (UL Listed power supply recommended)
Current Draw	500 mA @ 12 VDC 250 mA @ 24 VDC
Relay Switch	250 mA @ 12 VDC 125 mA @ 24 VDC
Dimensions	8.75 in x 2.50 in x 1.625 in
Material	Stainless steel
Sensor	Lock status sensor with relay output
Cable Specifications	24 AWG 7 conductor cable, 3.5 ft
Norm Conformance	UL and CUL ANSI 156.10 NEMA 4 / IP65
Conduit Fitting (10GL1200R ONLY)	3/4 inch NPS conduit fitting 14 threads per inch

10GL1200SR

Door Configuration	Swinging Door/Gate, side mount
Holding Force	1,200 lbs
Input Voltage	12/24 VDC (UL Listed power supply recommended)
Current Draw	500 mA @ 12 VDC 250 mA @ 24 VDC
Relay Switch	250 mA @ 12 VDC 125 mA @ 24 VDC
Dimensions	8.75 in x 2.50 in x 1.625 in
Material	Stainless steel
Sensor	Lock status sensor with relay output
Cable Specifications	24 AWG 7 conductor cable, 9.5 ft
Norm Conformance	UL and CUL ANSI 156.10 NEMA 4 / IP65

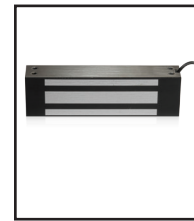
DIMENSIONAL DRAWINGS



RELATED PRODUCTS



10GL1200R
1200 LB,
FRONT MOUNT
FOR SLIDING GATE



10GL1200SR
1200 LB,
SIDE MOUNT FOR
SWINGING DOOR/GATE



10LZBARGATE1200
LZ MOUNTING
BRACKETS



10PS12-24
UL/CUL LISTED
POWER SUPPLY



10PS12-24D
UL/CUL LISTED
POWER SUPPLY WITH
BATTERY BACKUP

