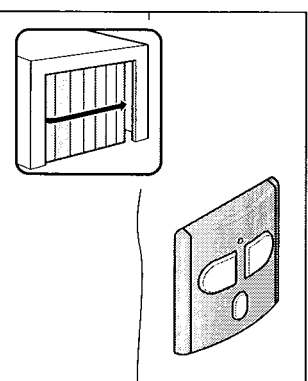
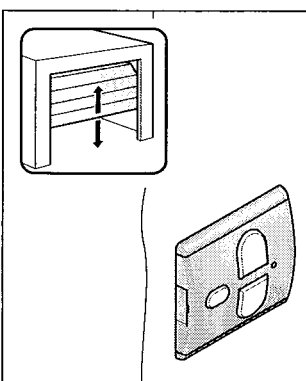
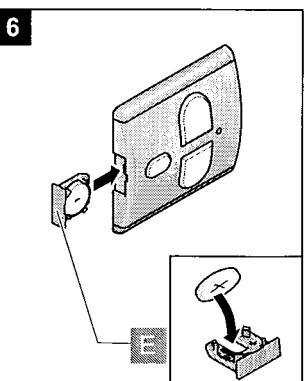
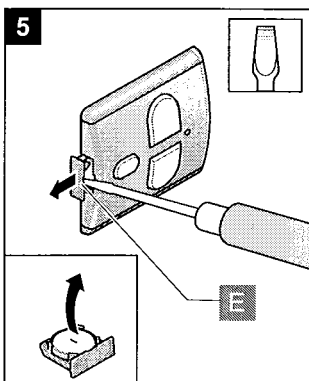
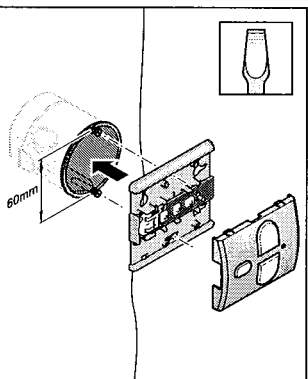
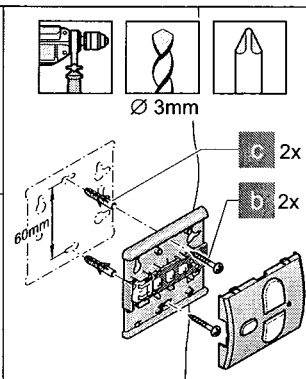
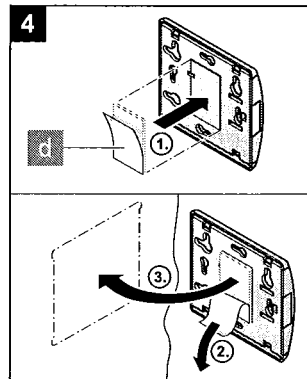
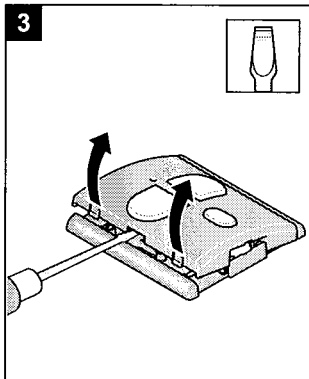
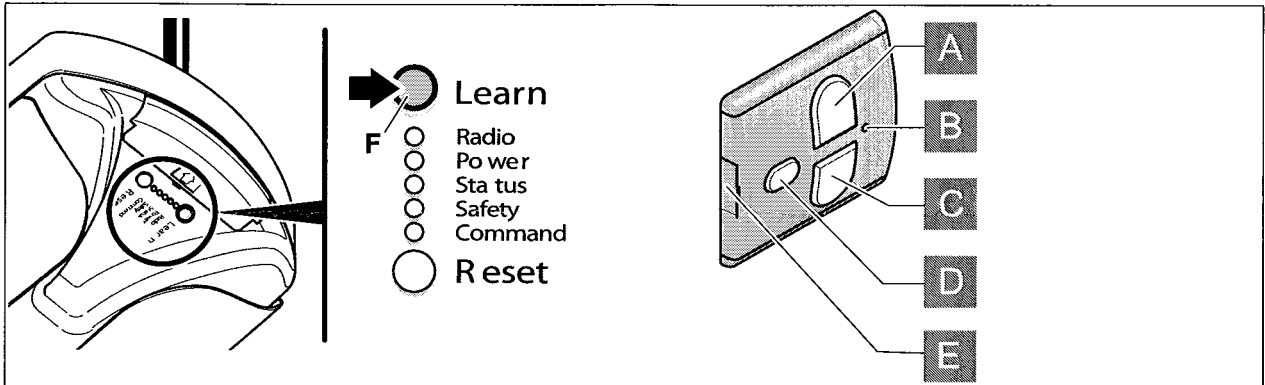
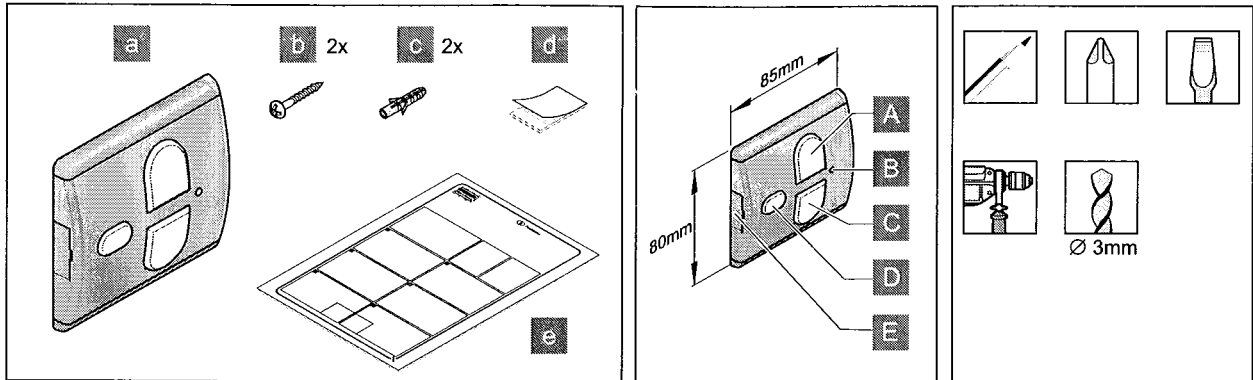


Radio wall transmitter

Radio frequency	315 MHz
Temperature range	14 °F to +158 °F (-10 °C to +70 °C)
Range	Approx. 165 ft (50 m), depending on surrounding conditions
Current consumption	Approx. 10 mA
Battery type	CR 2032
Dimensions	85 x 80 x 14 mm
Weight	ca. 40 g (incl. battery)



Radio wall transmitter

Technical specifications:

Radio frequency	315 MHz
Temperature range	14 °F to +158 °F (-10 °C to +70 °C)
Range	Approx. 165 ft (50 m), depending on surrounding conditions
Current consumption	Approx. 10 mA
Battery type	CR 2032
Dimensions	85 x 80 x 14 mm
Weight	ca. 40 g (incl. battery)

Safety information

- Always store the radio wall transmitter out of reach from children or animals.
- Do not operate the radio wall transmitter in areas with sensitive radio communications or systems (e.g. airplanes, hospitals).
- Do not store or operate the radio wall transmitter in areas which are wet, steamy, have high air humidity, are dusty or are subject to direct sunlight or similar conditions.
- Store the radio wall transmitter in a stable manner; falling down could damage the unit or reduce its range.

Intended use

- The operator is not protected from faults due to other telecommunications equipment or devices (e.g. radio systems, which are being operated properly in the same frequency range).
- In the event of range problems, position the radio wall transmitter higher up (e.g. under the sun visor of a car), or replace the batteries if required.
- Do not use your fingernail to operate the buttons as this could damage the buttons.

Operation

Each button and each button combination has its own radio code.

Transmitting the code from the radio wall transmitter to the radio receiver

The system is available as a 2 channel receiver. The garage door drives in the SL design have a 2-channel receiver.

1. Press the learn button (F) on the radio receiver
 - 1 x for channel 1, radio LED lights up
 - 2 x for channel 2, radio LED flashes twice
2. Press the desired button on the radio wall transmitter (A; C; D). The radio wall transmitter sends the radio code to the radio receiver.
 - The LED switches off depending on the channel that has been selected.
3. Repeat steps 1 + 2 to learn in other radio wall transmitters on this radio receiver.

Replacing the batteries

- Do not store batteries within reach of children. Call a doctor immediately if a battery is swallowed.

- There is a risk of explosion if the battery is not replaced properly.
- Replace batteries only with type CR 2032.
- Always wrap batteries when storing or disposing of them. Batteries must never come into contact with metal objects, they can ignite, discharge, or become damaged.
- Damaged or used batteries must be properly disposed of immediately. Contact your local environmental authority or your waste disposal representative.
- Never dispose of batteries with the household waste.
 1. Pull out the battery compartment (E)
 2. Remove the battery (G) and insert a new one. Check for the correct polarity (+/-)!
 3. Slot the battery compartment back into the housing until the locking (E) engages.

Troubleshooting

1. LED does not light up:
 - Battery empty or radio wall transmitter faulty
2. Drive does not start:
 - Radio wall transmitter not programmed.
 - Radio wall transmitter has been activated several times outside of the reception area - press the button (min. 2 x) until the drive starts.

Guarantee

The guarantee complies with the legal regulations. Contact your specialist dealer if there are any guarantee issues. The claim under guarantee applies only to the country in which the radio wall transmitter was purchased. Batteries are not included in the guarantee.

Serial number

Please take a note of the serial number of your radio wall transmitter. You will find this under the battery.

Serial no.: _____

Information

This device complies with Part 15 of the FCC Rules. Operation is subject to the following two conditions:

- (1) this device may not cause harmful interference, and
- (2) this device must accept any interference received, including interference that may cause undesired operation.

No modifications to this device are allowed.

The operating license expires if modifications are performed on this device that are not described in this manual or authorized by the manufacturer.