

PANTHER SERIES

PUSH PLATES WITH INTEGRATED WIRELESS TECHNOLOGY



PRIMARY APPLICATIONS



DESCRIPTION

BEA's Panther series consists of 900 MHz or 433 MHz wireless technology integrated into 6 inch round, 4.75 inch round and 4.75 inch square push plates.

With an integrated wireless transmitter and mounting box, the Panther series reduces installation time by eliminating the need to run wires from the push plate or use additional mounting hardware. This offers greater mounting flexibility in areas where hardwired push plates cannot be mounted.

*Corresponding wireless receiver sold separately

FEATURES & BENEFITS

- 1/16 inch thick stainless steel for maximum durability
- Concealed fasteners minimize vandalism
- NEMA 4 rated housing creates a weather resistant barrier that enables the push plates to be mounted in outdoor environments or wash-down applications

TECHNICAL SPECIFICATIONS

Dimensions

6 Inch Round (Ø x D)	6.33 in x 1.45 in
4.75 Inch Round (Ø x D)	5.12 in x 1.42 in
4.75 Inch Square (W x H x D)	5.12 in x 5.12 in x 1.42 in

Weight

6 Inch Round	1.2 lbs
4.75 Inch Round	1.14 lbs
4.75 Inch Square	1.04 lbs

Mounting Options

Surface or bollard mount

Transmitter Frequency

433 MHz or 900 MHz

Power

433 MHz	(1) 12V Type A23
900 MHz	(2) CR2032

Material

Faceplate	16 Gauge, 304 2B Stainless Steel
Housing	ABS Plastic

Degree of Protection

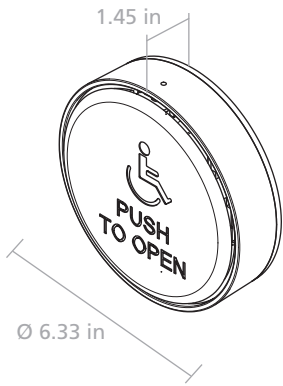
NEMA 4 / IP65
FCC IC Part 15 Approved

*Corresponding frequency receiver required.

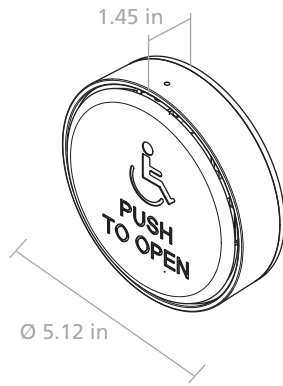
**See 433 MHz and 900MHz Users' Guides for more information on BEA's wireless transmitters and receivers.

DIMENSIONAL DRAWINGS

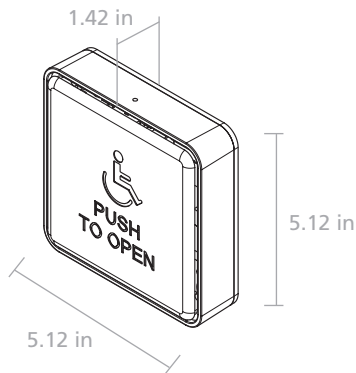
6 Inch Round



4.75 Inch Round



4.75 Inch Square



RELATED PRODUCTS



10EMR61
6" ROUND WITH
433 MHz TEXT & LOGO



10EMR6L
6" ROUND WITH
433 MHz LOGO ONLY



10EMR6
6" ROUND WITH
433 MHz TEXT ONLY



10EMR4751
4.75" ROUND WITH
433 MHz TEXT & LOGO



10EMR475L
4.75" ROUND WITH
433 MHz LOGO ONLY



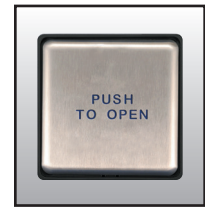
10EMR475
4.75" ROUND WITH
433 MHz TEXT ONLY



10EMS4751
4.75" SQUARE WITH
433 MHz TEXT & LOGO



10EMS475L
4.75" SQUARE WITH
433 MHz LOGO ONLY



10EMS475
4.75" SQUARE WITH
433 MHz TEXT ONLY



10EMR61-900
6" ROUND WITH
900 MHz TEXT & LOGO



10EMR6L-900
6" ROUND WITH
900 MHz LOGO ONLY



10EMR6-900
6" ROUND WITH
900 MHz TEXT ONLY



10EMR4751-900
4.75" ROUND WITH
900 MHz TEXT & LOGO



10EMR475L-900
4.75" ROUND WITH
900 MHz LOGO ONLY



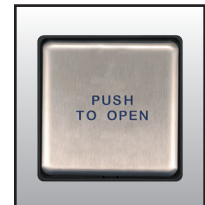
10EMR475-900
4.75" ROUND WITH
900 MHz TEXT ONLY



10EMS4751-900
4.75" SQUARE WITH
900 MHz TEXT & LOGO



10EMS475L-900
4.75" SQUARE WITH
900 MHz LOGO ONLY



10EMS475-900
4.75" SQUARE WITH
900 MHz TEXT ONLY

www.BEAinc.com

© 2016 BEA, Inc. All rights reserved.

PANTHER SERIES

PUSH PLATES WITH INTEGRATED WIRELESS TECHNOLOGY

BEA, Inc.
RIDC Park West
100 Enterprise Drive
Pittsburgh, PA 15275-1213

Customer Service: 800.523.2462
Technical Support: 800.407.4545

