

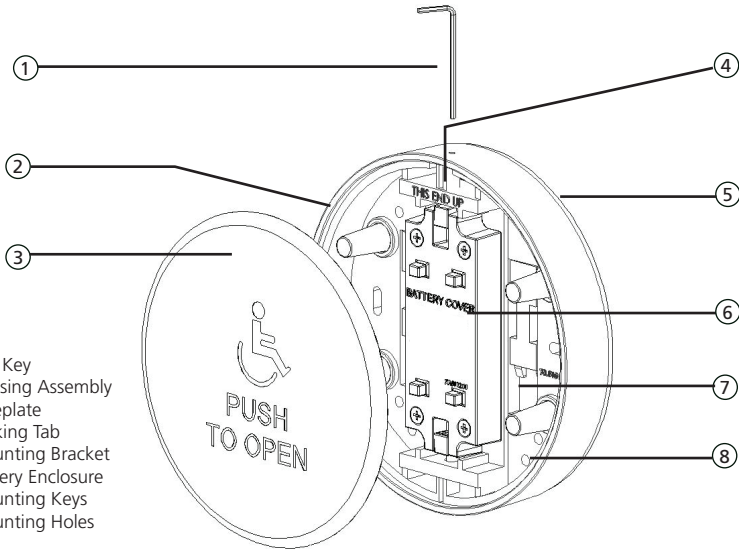
# PANTHER SERIES



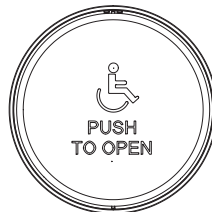
Push plate with integrated 900 MHz wireless transmitter

(US version)

## DESCRIPTION



1. Hex Key
2. Housing Assembly
3. Faceplate
4. Locking Tab
5. Mounting Bracket
6. Battery Enclosure
7. Mounting Keys
8. Mounting Holes



**6 INCH ROUND, 900 MHz:**  
 10EMR61-900 - logo & text  
 10EMR6-900 - text only  
 10EMR6L-900 - logo only

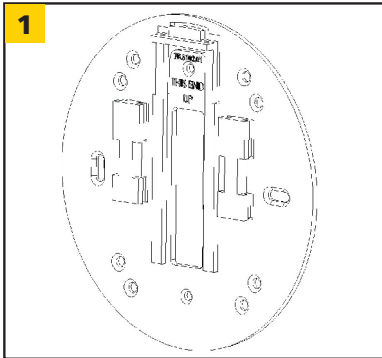
**4.75 INCH ROUND, 900 MHz:**  
 10EMR4751-900 - logo & text  
 10EMR475-900 - text only  
 10EMR475L-900 - logo only

**4.75 INCH SQUARE, 900 MHz:**  
 10EMS4751-900 - logo & text  
 10EMS475-900 - text only  
 10EMS475L-900 - logo only

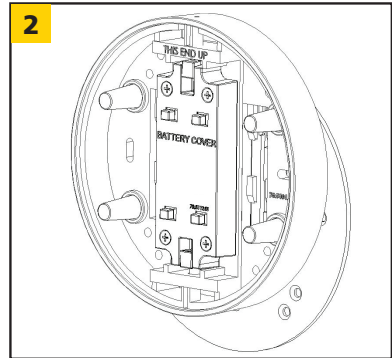


- The device should not be used for purposes other than its intended use. All other uses cannot be guaranteed by the manufacturer of the sensor.
- The installer of the door system is responsible for carrying out a risk assessment and installing the sensor and the door system in compliance with applicable national and international regulations and standards on door safety.
- The manufacturer of the sensor cannot be held responsible for incorrect installations or inappropriate adjustments of the sensor.

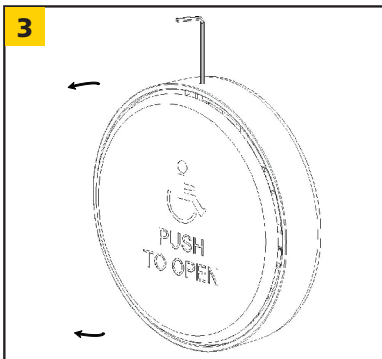
## INSTALLATION



Install Mounting Bracket using at least two (2) #8 countersunk head screws. Any mounting holes may be used. Observe "THIS END UP".



Align Housing Assembly onto Mounting Keys and slide down until Locking Tab engages. To remove, press Locking Tab and slide up.

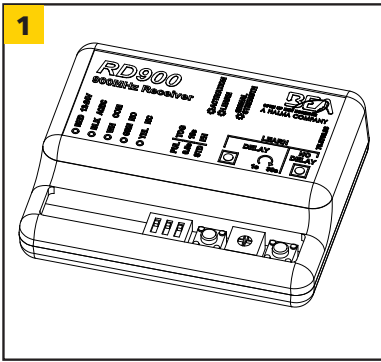


Insert Faceplate into Housing Assembly and use Hex Key to engage spring clips on the top and bottom of Housing Assembly. To remove, use Hex Key to disengage spring clips.

### NOTES:

1. For added security, additional screws may be installed through Housing Assembly and Mounting Bracket during Step 2.
2. Ensure spring clips "click" during Faceplate installation. It may be necessary to rotate Faceplate for proper alignment.

## SETUP

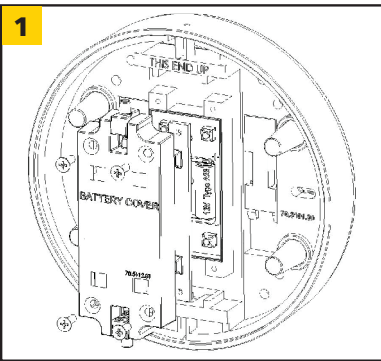


To program the 900 MHz wireless receiver (sold separately), please refer to the appropriate User's Guide:

- 900 MHz - 75.5786

**900 MHz Panther series must use a 900 MHz receiver.**

## BATTERY REPLACEMENT



Remove four (4) screws on Battery Enclosure.

- 900 MHz versions - two (2) CR2032

**DO NOT OVER TIGHTEN SCREWS DURING REASSEMBLY. THIS MAY CAUSE CONSTANT TRANSMITTER ACTIVATION.**

## TROUBLESHOOTING

No activation	Receiver not programmed	Setup transmitter
	Receiver improperly wired	Verify power and activation connection
	Dead battery	Replace battery
Constant activation	Battery Housing screws too tight	Loosen Battery Housing screws
	Activation connected to NC of door control	Connect to NO
	Receiver set to Toggle Mode	Set receiver to Pulse Mode

# TECHNICAL SPECIFICATIONS

Dimensions	6" ROUND - 6.33" diameter, 1.45" depth 4.75" ROUND - 5.12" diameter, 1.42" depth 4.75" SQUARE - 5.12" height, 5.12" width, 1.42" depth
Weight	6" ROUND - 1.2 lbs 4.75" ROUND - 1.14 lbs 4.75" SQUARE - 1.04 lbs
Material	FACEPLATE - stainless steel HOUSING - ABS plastic
Transmitter Frequency	433 MHz or 900 MHz
Power	900 MHz versions - two (2) CR2032
Mounting	Surface mount only
Certification	FCC, IC
Temperature	14 °F - 131 °F (-10 °C - 55 °C)
Enclosure Rating	NEMA 4

Specifications are subject to change without prior notice.  
All values measured in specific conditions.

## FCC / IC

"This device complies with Part 15 of the FCC Rules. Operation is subject to the following two conditions: (1) this device may not cause harmful interference, and (2) this device must accept any interference received, including interference that may cause undesired operation."

Changes or modifications not expressly approved by BEA Incorporated could void the user's authority to operate the equipment.

Note: This equipment has been tested and found to comply with the limits for a Class A digital device, pursuant to part 15 of the FCC Rules. These limits are designed to provide reasonable protection against harmful interference when the equipment is operated in a commercial environment. This equipment generates, uses, and can radiate radio frequency energy and, if not installed and used in accordance with the instruction manual, may cause harmful interference to radio communications. Operation of this equipment in a residential area is likely to cause harmful interference in which case the user will be required to correct the interference at his own expense.

This device complies with Industry Canada licence-exempt RSS standard(s). Operation is subject to the following two conditions: (1) this device may not cause interference, and (2) this device must accept any interference, including interference that may cause undesired operation of the device.

Le présent appareil est conforme aux CNR d'Industrie Canada applicables aux appareils radio exempts de licence. L'exploitation est autorisée aux deux conditions suivantes : (1) l'appareil ne doit pas produire de brouillage, et (2) l'utilisateur de l'appareil doit accepter tout brouillage radioélectrique subi, même si le brouillage est susceptible d'en compromettre le fonctionnement.

FCC ID: 2ABWS-10TD900PTRI	IC: 4680-10TD900PTRI	MODEL: 10EMR61-900	MODEL: 10EMR4751-900	MODEL: 10EMS4751-900
		MODEL: 10EMR6-900	MODEL: 10EMR475-900	MODEL: 10EMS475-900
		MODEL: 10EMR6L-900	MODEL: 10EMR475L-900	MODEL: 10EMS475L-900

## ANSI / AAADM Compliance



Upon completion of the installation or service work, at a minimum, perform a daily safety check in accordance with the minimum inspection guidelines provided by AAADM. Provide each equipment owner with an owner's manual that includes a daily safety checklist and contains, at a minimum, the information recommended by AAADM. Offer an information session with the equipment owner explaining how to perform daily inspections and point out the location of power/operation switches to disable the equipment if a compliance issue is noted. The equipment should be inspected annually in accordance with the minimum inspection guidelines. A safety check that includes, at a minimum, the items listed on the safety information label must be performed during each service call. If you are not an AAADM certified inspector, BEA strongly recommends you have an AAADM certified inspector perform an AAADM inspection and place a valid inspection sticker below the safety information label prior to putting the equipment into operation.

