

# Swing Door Fitting

It converts the SOMMER synoris to a swing door opener



Allows the installer to modify the SOMMER synoris garage door opener to use on a swing door application by providing a **fast and simple installation**.

The fitting fits easily onto the existing motor and allows swing doors to open up to a **9 ft. door opening**.

Included are the swing arms and all fittings for the installation. The openers safety photo eyes will properly work to ensure the right direction for the swing door operation.

## SWING DOOR FITTING

(Part Number 1501V000)

- economical option for swing doors
- converts the SOMMER synoris to a swing door opener
- photo eyes work in proper direction for swing doors
- for doors up to 9 ft. opening
- adjustable fitting



# SOMMER

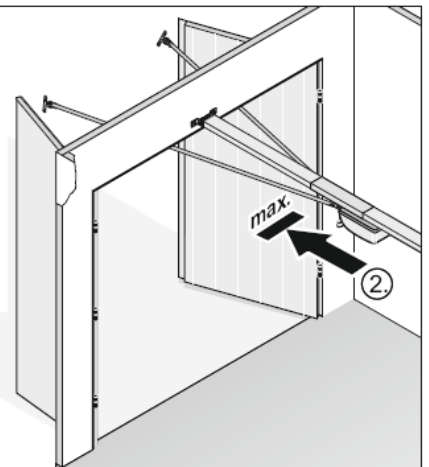
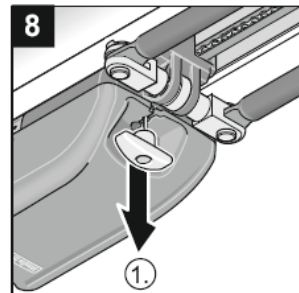
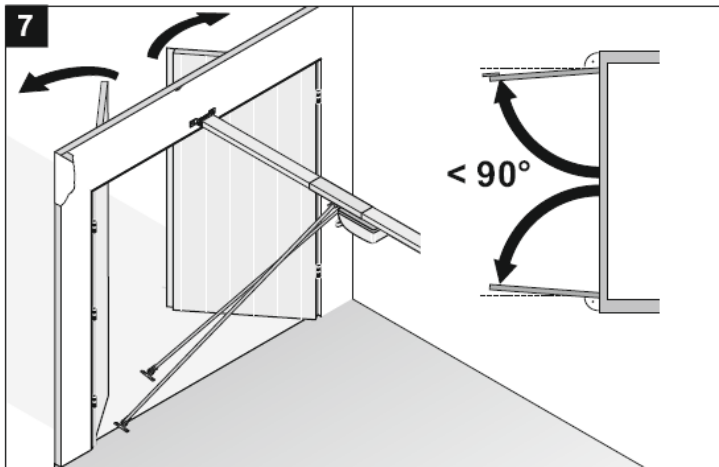
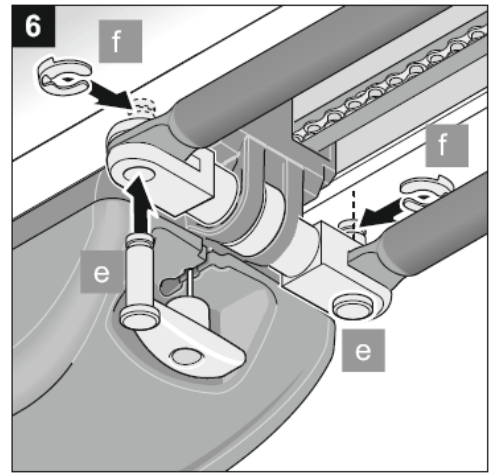
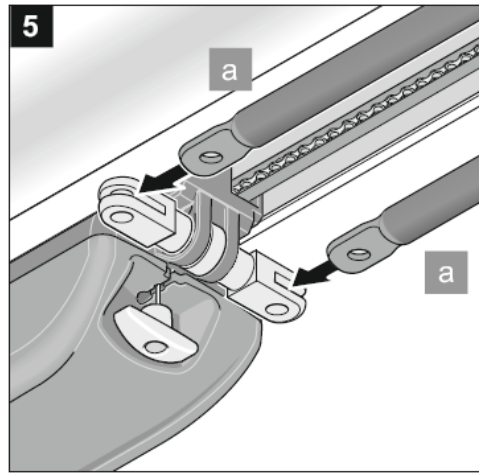
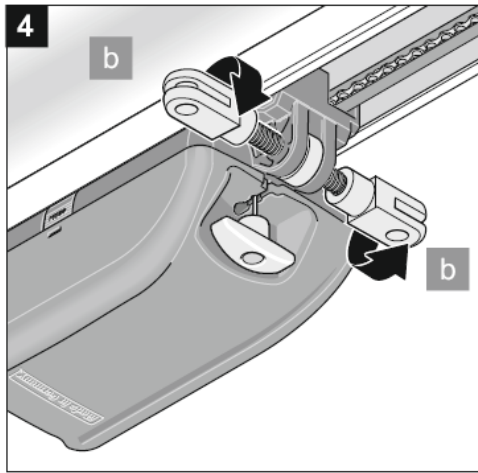
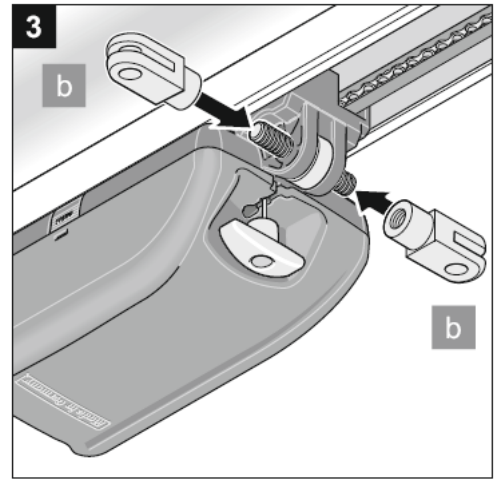
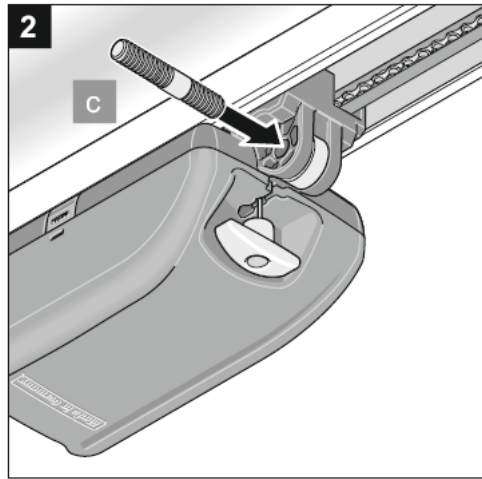
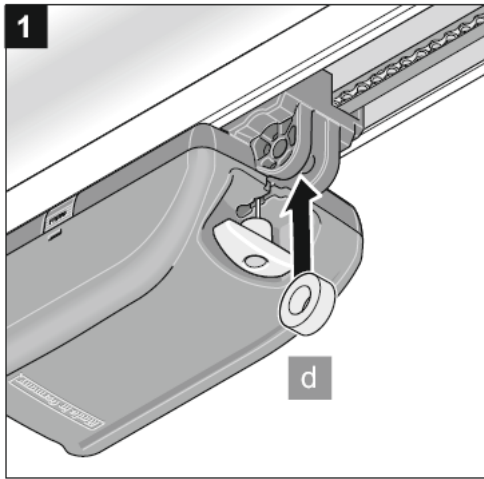
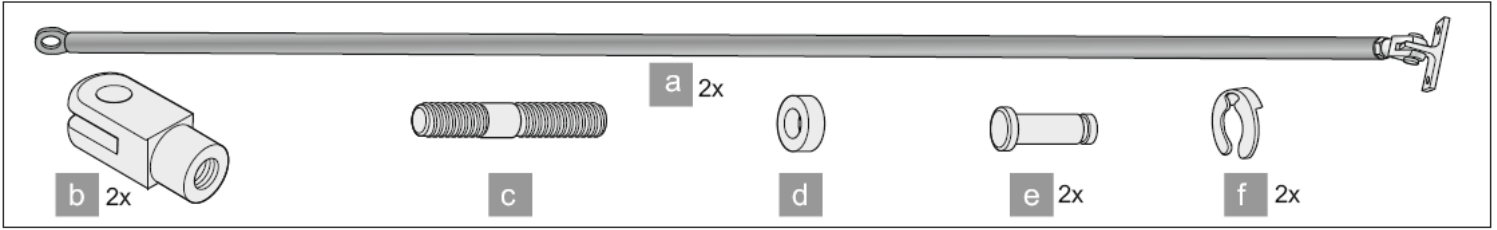
SOMMER USA, Inc.

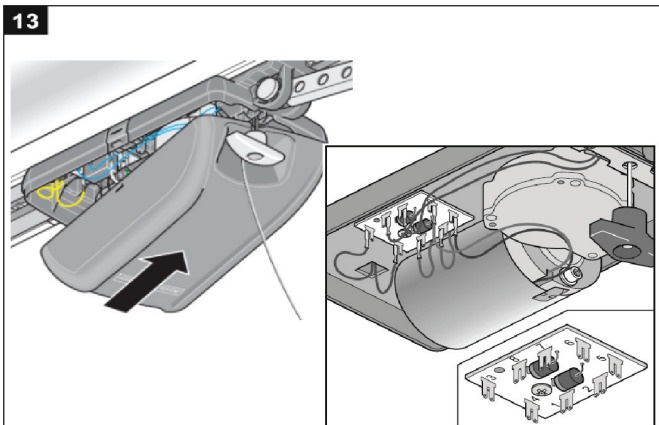
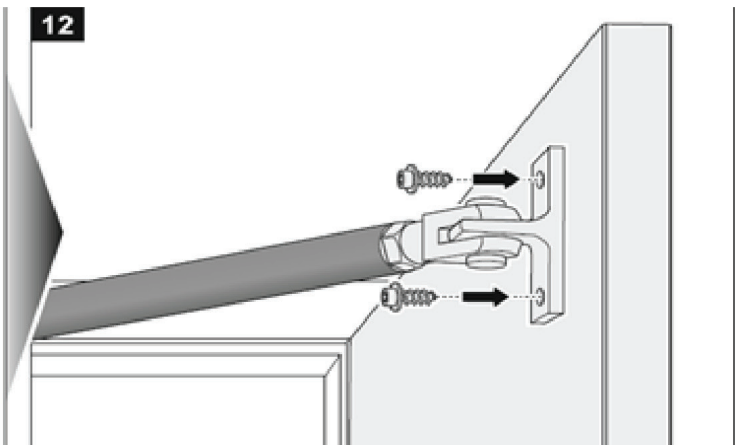
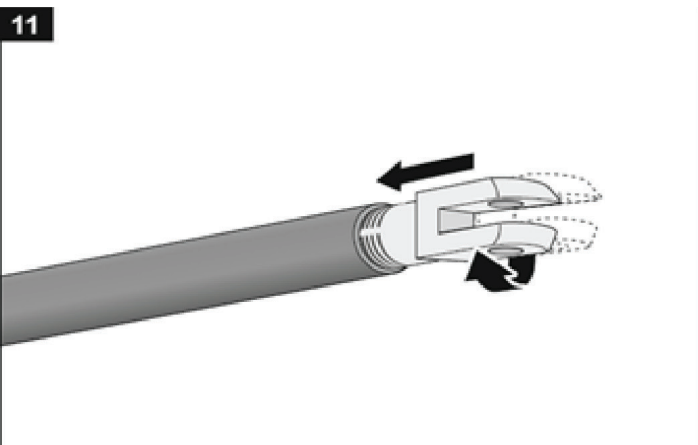
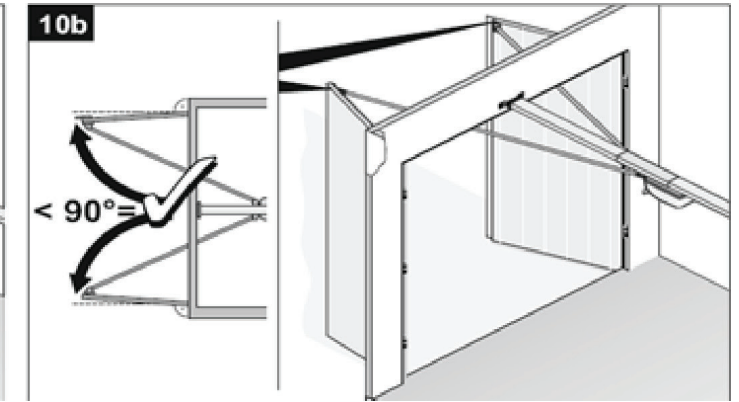
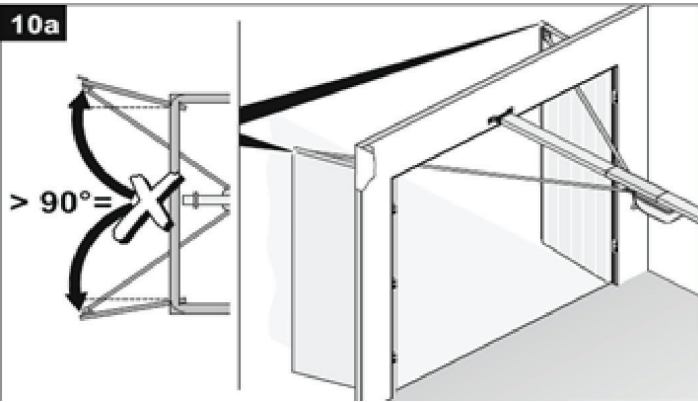
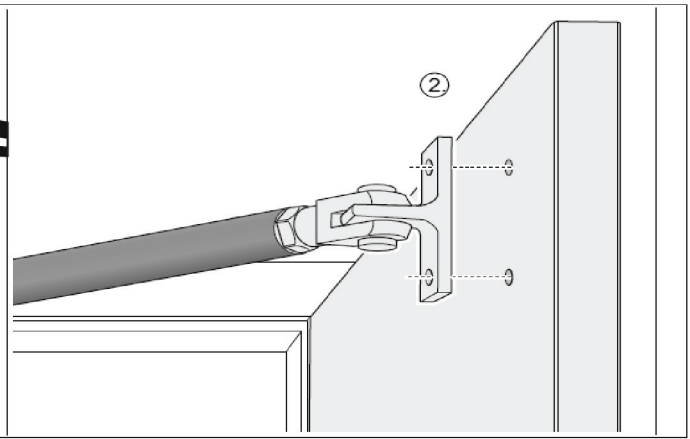
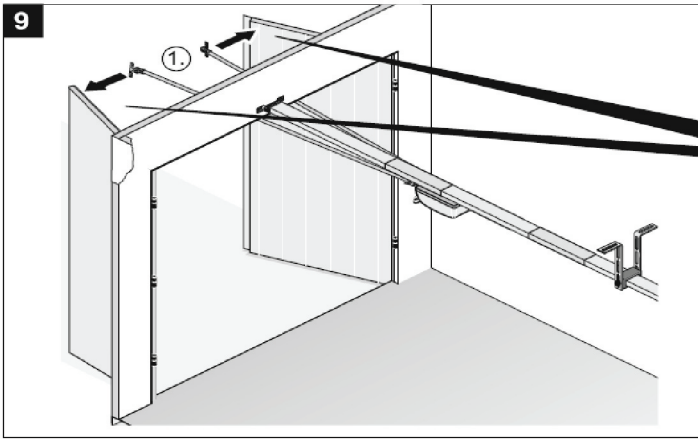
[sommer-usa.com](http://sommer-usa.com)

1-877-766-6607

# Manual

## Swing Door Fitting no. 1501





### **Important modification**

To allow the opener to work properly on a swing door, you must switch two wires in the motor carriage:

-Remove carriage (motor) cover

-Remove the blue wire from terminal 1 and put it on terminal 2, then remove the brown wire from terminal 2 and put it on terminal 1

## Recommended Additional Safety Hardware

SENTIR edge 15-10 VK1

Mini-contact-edge, with vertical mounting angle

Article-No: 102041

ELMON vario 01-27 24VAC/DC

One channel controller

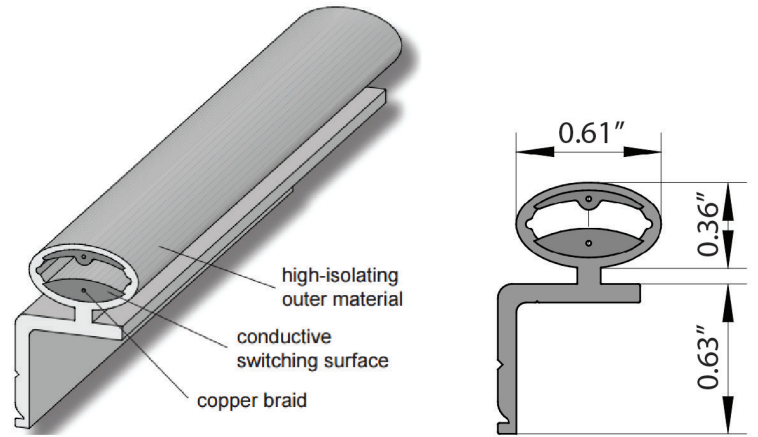
Article-No: 203009

ASO Safety Solutions Inc.

Tel.: 973-586-9600

Website: [www.asosafetyus.com](http://www.asosafetyus.com)

Email: aso-us@asosafety.com

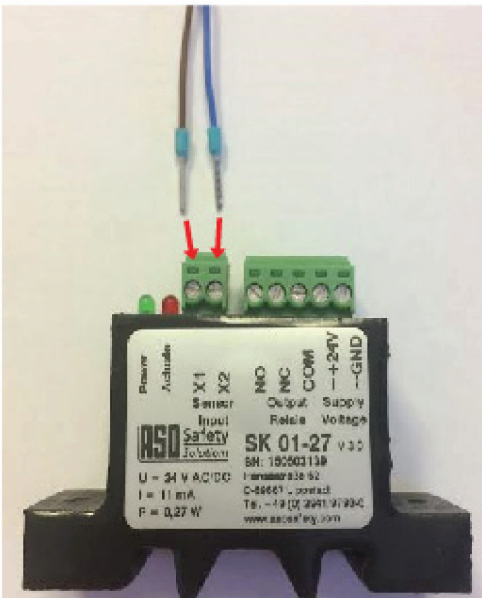


## Install the Safety Edge

1. Attach the Safety Edge to the inside of the door.



2. Connect the Safety Edge wires to the Controller



3. Connect the Controller to the Control Housing

