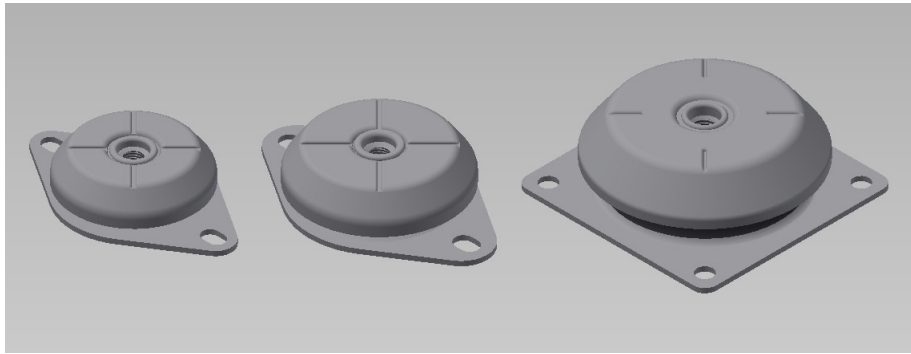


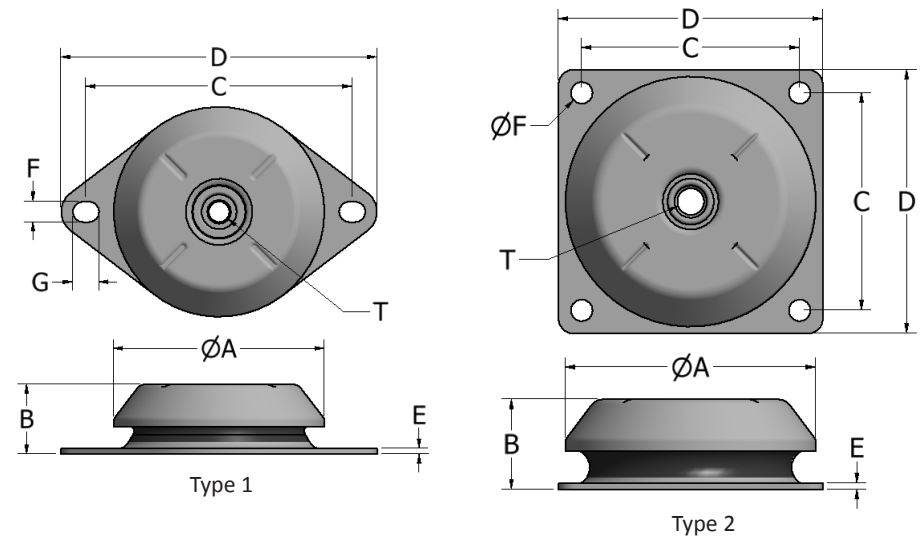
Standard Bell Mounts



Standard Bell Mounts provide a high level of isolation especially when used on generators, engines and systems with an operating frequency at around 25 Hz (1500 rpm). Standard bell mounts are designed with a fail-safe function making it an ideal solution for rugged applications.

Part No.	Durometer	Load Rating (lbs)	Spring Rate (lbs/in)	Type
CFMBH783010W	45	240	2685	1
CFMBH783010M	60	600	6625	
CFBMH783012W	45	240	2685	1
CFBMH783012M	60	600	6625	
CFBMH923510W	45	390	2855	1
CFBMH923510M	60	700	5140	
CFBMH923512W	45	390	2855	1
CFBMH923512M	60	700	5140	
CFBMH1063812W	45	560	4000	1
CFBMH1063812M	60	1000	8565	
CFBMH1063816W	45	560	4000	1
CFBMH1063816M	60	1000	8565	
CFBMH1254316W	45	790	5025	1
CFBMH1254316M	60	1650	10565	
CFBMH1444816W	45	1575	5710	1
CFBMH1444816M	60	3000	11420	
CFBMH1605820W	45	1850	6850	2
CFBMH1605820M	60	3450	12560	
CFBMH1806620W	45	2500	9135	2
CFBMH1806620M	60	5000	18270	

Standard Bell Mounts



Part No.	A	B	C	D	E	F	G	T
CFMBH783010	3.07	1.18	4.33	5.31	.10	.35	.47	M10
CFBMH783012	3.07	1.18	4.33	5.31	.10	.35	.47	M12
CFBMH923510	3.62	1.38	4.86	5.91	.12	.39	.59	M10
CFBMH923512	3.62	1.38	4.86	5.91	.12	.39	.59	M12
CFBMH1063812	4.17	1.50	5.63	6.89	.16	.51	.75	M12
CFBMH1063816	4.17	1.50	5.63	6.89	.16	.51	.75	M16
CFBMH1254316	4.92	1.69	6.14	7.56	.16	.57	.79	M16
CFBMH1444816	5.67	1.69	7.16	8.46	.19	.57	.71	M16
CFBMH1605820	6.30	2.28	5.51	6.69	.19	.57	-	M20
CFBMH1806620	7.09	2.60	6.30	7.48	.19	.57	-	M20