

# Office Doctor Discount Office Furniture

www.OfficeDr.com 856-368-9085

Safco Products are on Sale for Half Price

Take Half Off the List Prices in this PDF

**Call 856-368-9085 Now to Order**

#### **LIMITED LIFETIME WARRANTY**

Safco-warranty obligation: We pledge to repair or replace, at Safco's option, any Safco product or component that is defective in material or workmanship for as long as you, the original purchaser, own it.

#### **LIABILITY LIMITATIONS**

The following listed parts, components and supplies are covered under warranty in accordance with the below schedule following the product purchase date.

**Ten Years:** Seating controls and cylinders, Rumba™, Cha-Cha™, electric height-adjustable table series laminates, and wood seating components. All parts (excluding motor) on the XR, ML and E Series Height-Adjustable Tables.

**Five Years:** Glides, casters, polymer-based components, seating upholstery (fabrics and leather), foam, armrests, chrome seating components, user-adjustable work surface mechanisms, laminates, veneer finishes and other covering materials, drawer glides, electrical components, Event Series, cabinets or mobile systems, components that are either moving parts or controls (guides that are in contact with moving parts), and motors on the ML-Series, E-Series and XR-Series Height-Adjustable Tables.

**Three Years:** Outdoor Products (Evos™, Canmeleon™ and CoGo™ Product Lines), High Density 4-Post wire shelving and wire components, and electrical components, Dry Erase Surfaces.

[See website for complete Warranty Information](#)

- Single-handed center control mechanism for convenient flip of the top
- Minimal assembly required, installs in minutes
- Tables straight-row nest for compact storage
- Integrated modesty panel with built-in cable trough
- Tables can be connected together by using ganging kit (included)
- Overall table height: 29½", four 3" locking casters
- 150 lb. weight capacity, evenly distributed
- Tables available with Silver frame, and tops in either Thermally Fused Laminate (TFL) with standard T-Mold or High Pressure Laminate (HPL) with your choice of (3) edge treatments
- See page 10 for laminate color options or go to Safco website
- HPL Edge Treatments: 3mm (H3), Knife-Edge (HK) or Standard T-Mold (HT) available in corporate edge colors, see page 10
- Manufactured cutouts (5¼ x 3") for daisy chain electrical kits available on 30"D rectangular tables (one centered cutout per table, Grommet not included), add "E" suffix and \$30 list upcharge per cutout
- See Training Tables Power Options pg 110 for surface mount kits
- Silver Base only
- Tables are shipped in two boxes
- 6½" between tables when nested

## How to Specify

Start with base model number and **SELECT ONE CODE FROM EACH OF THE OPTIONS** to complete your final model number for ordering:

Select MODEL NUMBER (ie., SY2448)	Step 1: Select [✦] CUTOUT (OPTIONAL)	Step 2: Select [■] LAMINATE/EDGE TYPE
	E = Rectangular (Cutout Only) (Add \$30 List)	H3 = HPL Laminate /3mm Edge
	G = Center Grommet (Add \$30 List)	HK = HPL Laminate /Knife Edge HT = HPL Laminate /T-Mold Edge
	M = Left/Right (2) Grommets (Add \$60 List)	T = TFL Laminate /T-Mold Edge

Add codes to indicate your selections: E (Rectangular Cutout Only) H3 (HPL Laminate /3mm Edge)

The final Model Number for Base Product SY2448 with the highlighted selections would be SY2448-E-H3 (or SY2448EH3).

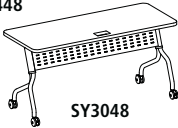
• See next page for Cutout and Laminate/Edge options

Note: All non-standard cutouts (other than above) will be reviewed to determine if the cutout does not interfere with the base, degrade table strength or cause imbalance. Contact [specials@safcoproducts.com](mailto:specials@safcoproducts.com) for quote request and drawing signoff will be required before order is processed.

# Sync™ Conference/Training Tables

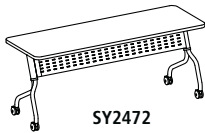


SY2448

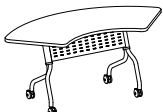


SY3048

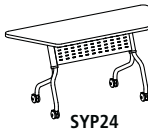
Shown with optional manufactured cut-outs for daisy chain electrical kits.



SY2472



SYC24



SYP24



SYT24



SYT30



30° Pie



60° Pie



90° Pie

### Rectangular Surfaces GSA

Model No.	Description	Wt.	Available Cutouts	TFL List Price "T" Suffix	HPL List Price HT, HK or H3 Suffix
<span style="border: 1px solid black; border-radius: 50%; padding: 2px;">S</span> SY1848	48 x 18" Rectangular	66	G	982.00	1,074.00
<span style="border: 1px solid black; border-radius: 50%; padding: 2px;">S</span> SY1854	54 x 18" Rectangular	71	G	1,052.00	1,134.00
<span style="border: 1px solid black; border-radius: 50%; padding: 2px;">S</span> SY1860	60 x 18" Rectangular	76	G,M	1,074.00	1,187.00
<span style="border: 1px solid black; border-radius: 50%; padding: 2px;">S</span> SY1866	66 x 18" Rectangular	80	G,M	1,111.00	1,213.00
<span style="border: 1px solid black; border-radius: 50%; padding: 2px;">S</span> SY1872*	72 x 18" Rectangular	86	G,M	1,142.00	1,260.00
<span style="border: 1px solid black; border-radius: 50%; padding: 2px;">S</span> SY2448	48 x 24" Rectangular	76	G	1,074.00	1,187.00
<span style="border: 1px solid black; border-radius: 50%; padding: 2px;">S</span> SY2454	54 x 24" Rectangular	82	G	1,143.00	1,255.00
<span style="border: 1px solid black; border-radius: 50%; padding: 2px;">S</span> SY2460	60 x 24" Rectangular	86	G,M	1,187.00	1,310.00
<span style="border: 1px solid black; border-radius: 50%; padding: 2px;">S</span> SY2466*	66 x 24" Rectangular	92	G,M	1,234.00	1,373.00
<span style="border: 1px solid black; border-radius: 50%; padding: 2px;">S</span> SY2472*	72 x 24" Rectangular	96	G,M	1,260.00	1,402.00
<span style="border: 1px solid black; border-radius: 50%; padding: 2px;">S</span> SY3048	48 x 30" Rectangular	86	E,G	1,168.00	1,310.00
<span style="border: 1px solid black; border-radius: 50%; padding: 2px;">S</span> SY3054*	54 x 30" Rectangular	93	E,G	1,224.00	1,368.00
<span style="border: 1px solid black; border-radius: 50%; padding: 2px;">S</span> SY3060*	60 x 30" Rectangular	99	E,G,M	1,286.00	1,424.00
<span style="border: 1px solid black; border-radius: 50%; padding: 2px;">S</span> SY3066*	66 x 30" Rectangular	105	E,G,M	1,329.00	1,470.00
<span style="border: 1px solid black; border-radius: 50%; padding: 2px;">S</span> SY3072*	72 x 30" Rectangular	111	E,G,M	1,373.00	1,515.00

\*Models that do not ship via small parcel

### Crescent Surfaces (48" Radius) GSA

SYC24	67 x 24" Crescent	78	-	1,213.00	1,334.00
-------	-------------------	----	---	----------	----------

### Trapezoid Surfaces GSA S

SYP24	60 x 24" Trapezoid	78	-	1,213.00	1,334.00
-------	--------------------	----	---	----------	----------

### Transition Surfaces GSA

SYT24	48" W x 24" D	78	-	1,287.00	1,383.00
SYT30	60" W x 30" D	100	-	1,325.00	1,422.00

### Pie Connectors GSA S

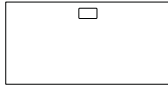
P3018	18" x 30° Pie	4	-	348.00	390.00
P6018	18" x 60° Pie	8	-	365.00	—
P9018	18" x 90° Pie	12	-	390.00	431.00
P3024	24" x 30° Pie	6	-	348.00	390.00
P6024	24" x 60° Pie	12	-	365.00	407.00
P9024	24" x 90° Pie	18	-	390.00	431.00
P3030	30" x 30° Pie	8	-	—	390.00
P6030	30" x 60° Pie	16	-	365.00	407.00
P9030	30" x 90° Pie	22	-	390.00	431.00

Cutout Options [♣]

"E" - \$30 List upcharge

(1) Manufactured rectangular cutout 5 1/4 x 3" for daisy chain electrical kits only. Grommet caps not included with cutout.

See page 112 for available kit options.



Cutout-E



Cutout-G



Cutout-M

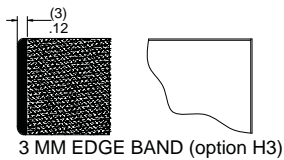
"G" - \$30 List upcharge

(1) Manufactured round cutout 1 3/4" in diameter located in center approach side of top. Includes grommet cap. Black only.

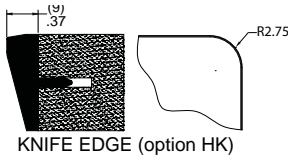
"M" - \$60 List upcharge

(2) Manufactured round cutouts 1 3/4" diameter located on right and left approach side of top. Includes (2) grommet caps. Black only.

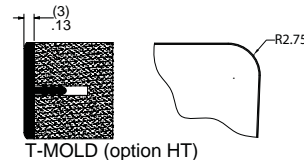
Laminate Edge Type [■]



3 MM EDGE BAND (option H3)



KNIFE EDGE (option HK)

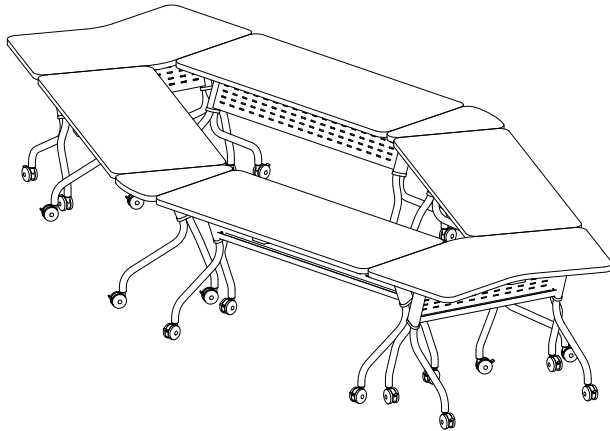


T-MOLD (option HT)

Note: All non-standard cutouts (other than above) will be reviewed to determine if the cutout does not interfere with the base, degrade table strength or cause imbalance. Contact specials@safcoproducts.com for quote request and drawing signoff will be required before order is processed.

Sync™ Conference/Training Tables - Idea Starters

• Must order by individual model numbers.

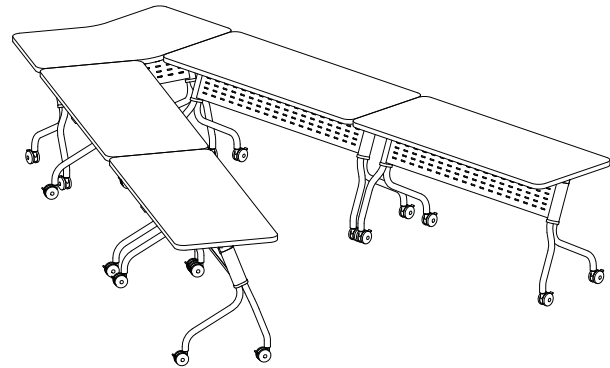


Sync Idea Starter #1

Consists of:

Qty.	Model No.	Description	List Price Each
4	SY2460T	Rectangular Table, 24 x 60"	1,187.00
2	SYT24T	24"D Transition Table	1,287.00
2	P3024T	24" x 30° Pie	348.00

Total: 8,018.00

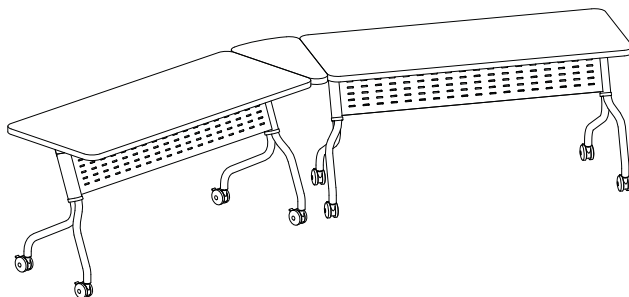


Sync Idea Starter #2

Consists of:

Qty.	Model No.	Description	List Price Each
4	SY2460T	Rectangular Table, 24 x 60"	1,187.00
1	SYT24T	24"D Transition Table	1,287.00

Total: 6,035.00



Sync Idea Starter #3

Consists of:

Qty.	Model No.	Description	List Price Each
2	SY2460T	Rectangular Table, 24 x 60"	1,187.00
1	P3024T	24" x 30° Pie	348.00

Total: 2,722.00