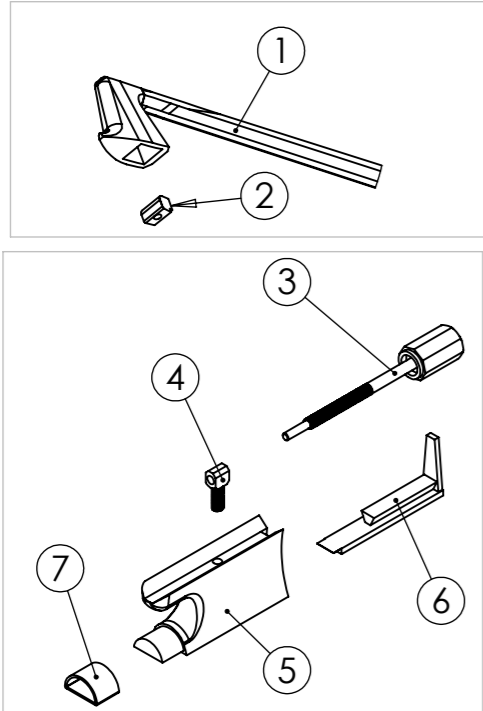




Re-hairing instructions
www.pandhbowslondon.com

No	Part
1	Bow stick
2	Wedge
3	Screw
4	Eye
5	Frog
6	Slide
7	Ferrule



Removing the old hair

Step 1. Loosen the screw from the bow stick and pull out.

Step 2. Insert the screw into the hole on the slide and pull backwards to withdraw the slide.

Step 3. Push the Ferrule off the frog to release the old hank of hair.

Step 4. Remove the old hank of hair from the pocket in the frog.

Step 5. Insert the screw into the hole in the wedge at the tip of the bow stick and pull backwards.

Remove the old hank of hair from the pocket in the bow tip. Pull it out.

Replacing the hair at the tip end

Step 6. Take the new hank of hair from the packaging. Insert the red end of the new hank into the pocket at the tip of the bow stick.

Step 7. Replace the wedge. Using the screw lever forward to secure the hank. (The reverse of step 5)

Step 8. Gently comb the hair through towards the frog end to make sure it is not twisted.

Replacing the hair at frog end

NOTE: Make sure you put the Ferrule back on the other end of the hank ready to fit back on the frog.

Step 9. Push the end of the hank into the pocket of the frog. Make sure the Ferrule is in place before fixing.

Hold the hair in place with your thumb and push the Ferrule onto the frog. Push the slide forward using the screw.

Step 10. Replace the frog and screw and tension the bow hair.

Visit www.pandhbowslondon.com for more information and how to

