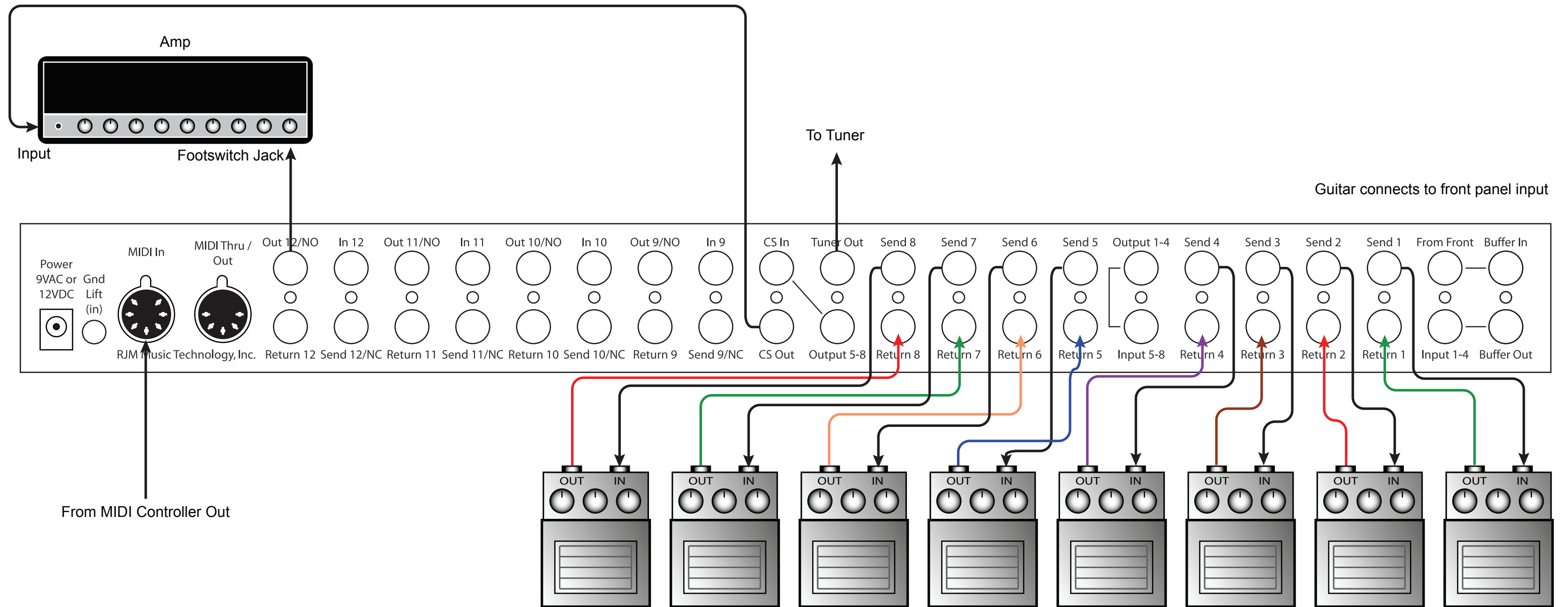




Effect Gizmo Wiring Diagram



Effect Gizmo Wiring Diagram

8 pedals, 1 amp, tuner

The guitar signal passes from the front panel jack, through the buffer, then through the first 8 audio loops, and then through the Click Stopper circuit before going to the amp.

The Effect Gizmo controls channel switching on the amp using Audio Loop 12.