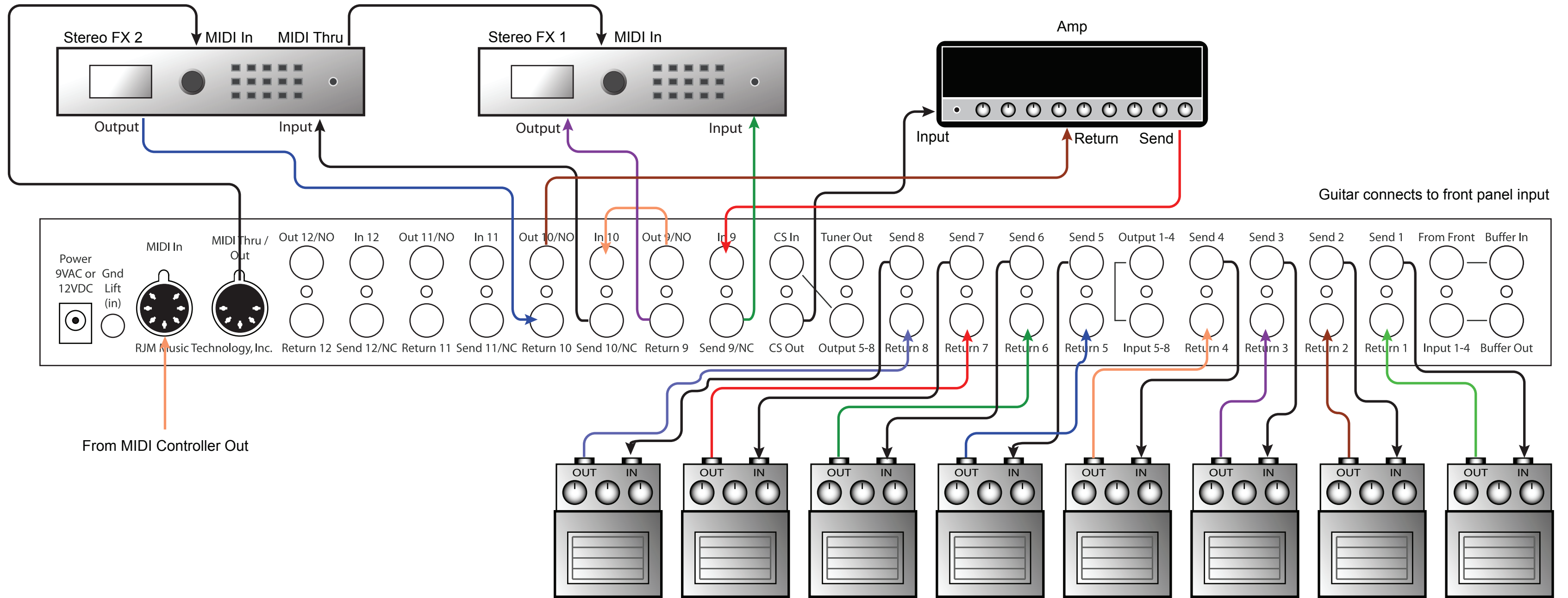




Effect Gizmo Wiring Diagram



Effect Gizmo Wiring Diagram

8 pedals, 2 effects processors in the amp's effects loop

The guitar signal passes from the front panel jack, through the buffer, through 8 audio loops and the Click Stopper, then goes to the amplifier input. The two effects processors are in loops 9 and 10, which are in turn inserted in the amp's effects loop.