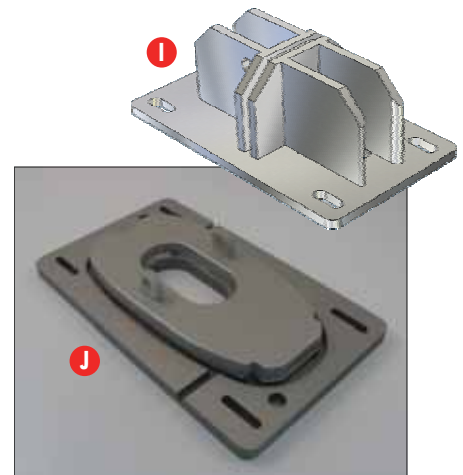


## Large and small feet

Multiply the weight of the boat by 2.5, and you'll know the column pressure when you're sailing closehauled in harsh conditions.

This illustrates how important it is that the mast is standing on a solid base. For this purpose we have a whole series of mast tracks and feet, which supports our individual profiles. Thus, when you have a lot of profiles, you also have a lot of feet...



Item	Profile	JM No.	Item	Profile	JM No.
<b>A</b> Mast track / bowl	125E/X-79	01 12 502	<b>B</b> Mast track high/low foot	Yngling	01 10 502
<b>A</b> Mast track / bowl	170E	01 14 502	<b>C</b> Mast track Olympic	Yngling	01 10 503
<b>A</b> Mast track / bowl	190E	01 15 502	<b>D</b> Mast track, small		01 60 130
<b>A</b> Mast track / bowl	220E	01 16 502	<b>E</b> Mast track , standard	160x74 mm	01 60 131
<b>A</b> Mast track / bowl	262E	01 17 502	<b>F</b> Mast track, T-model	148D	01 60 135
<b>A</b> Mast track / bowl	290E	01 18 502	<b>G</b> Mast track	170-190E	01 60 133
<b>A</b> Mast track / bowl	302E	01 19 502	<b>H</b> Track for hinged mast	162x70 mm	01 25 502
<b>A</b> Mast track / bowl	135D	01 21 502	<b>I</b> Mast track / foot	208D/X-37	01 30 502
<b>A</b> Mast track / bowl	150D	01 22 502	<b>I</b> Mast track / foot	222D/X-40	01 27 502
<b>A</b> Mast track / bowl	165D	01 23 502	<b>J</b> Mast track / foot	245D/Xc-42	01 28 503
<b>A</b> Mast track / bowl	180D	01 24 502	<b>J</b> Mast track / foot	280D/Xc-45	01 43 502
<b>A</b> Mast track / bowl	185D	01 25 502	<b>I</b> Mast track / foot	305D/X-50	01 34 502
<b>A</b> Mast track / bowl	210D	01 26 502	<b>I</b> Mast track / foot	335D/X-55	01 35 502
<b>A</b> Mast track / bowl	135D	01 21 502	<b>J</b> Mast track / foot on deck	208D	01 30 550
<b>A</b> Mast track / bowl	148D	01 29 502	<b>J</b> Mast track /foot on deck	222D	01 27 550