

TUBE HANGER



The design of Tube hangers brings time-saving benefits. The tension ring connection allows the clamp bodies to self adjust, independent of the hanging rod, to the tubes slope.

Tube hangers are great for supporting tubing lines which can be installed in a variety of methods and can be suspended from a tube or mounted directly to a surface.

13TH-1A
B=100管支架

13TH-R
紅膠圈管支架

13TH-1B
平底管支架

13TH-8750
8750型管支架

13TH-1C
內牙管支架

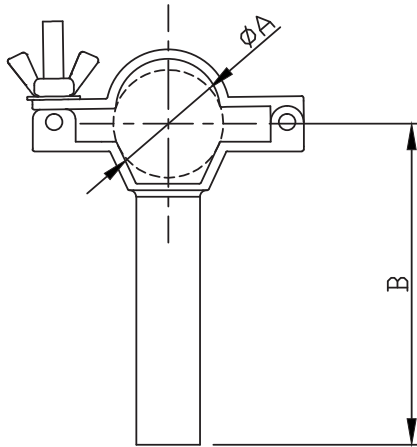
TUBE
食品衛生管

SMS-13TH-TYPE1
SMS管支架(without Pipe)

SMS-13TH-TYPE2
SMS管支架(Pipe=100)

B24W
六角管支架(PP Sleeve)
六角管支架(Rubber Grommets)

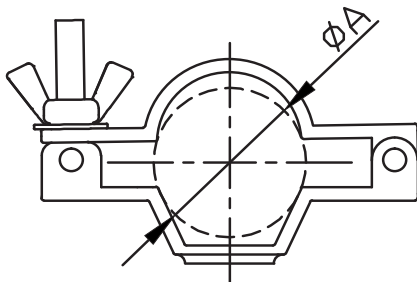
13TH-1A (B=100) TUBE HANGER



UNIT:mm

SIZE	ϕA	B
3/4"	19.05	100.0
1"	25.4	100.0
1.5"	38.1	100.0
2"	50.8	100.0
2.5"	63.5	100.0
3"	76.2	100.0
4"	101.6	100.0

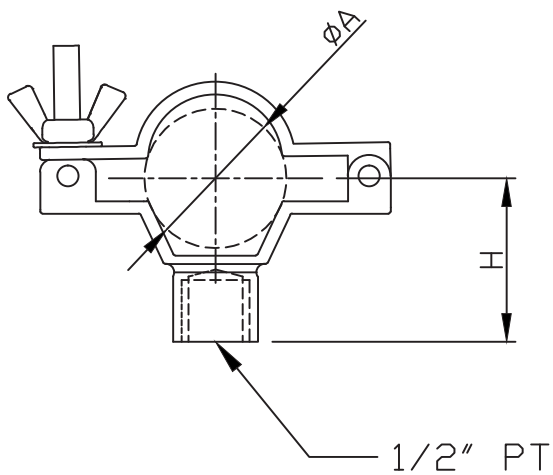
13TH-1B TUBE HANGER



UNIT:mm

SIZE	ϕA
3/4"	19.05
1"	25.4
1.5"	38.1
2"	50.8
2.5"	63.5
3"	76.2
4"	101.6

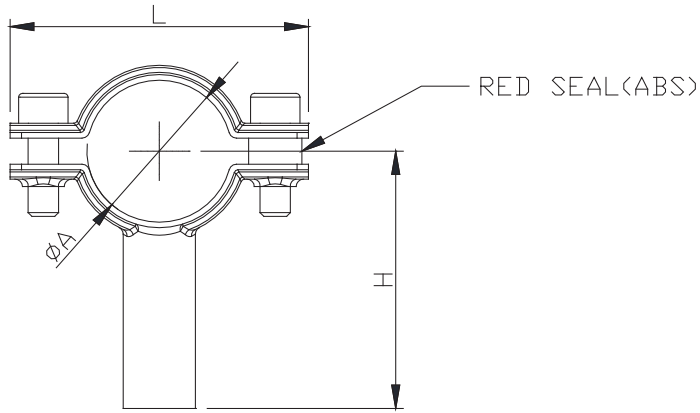
13TH-1C TUBE HANGER (1/2" PT)



UNIT:mm

SIZE	ϕA	H
1"	25.40	28.7
1.5"	38.1	35.1
2"	50.8	41.4
2.5"	63.5	47.8
3"	76.2	54.1
4"	101.6	66.8

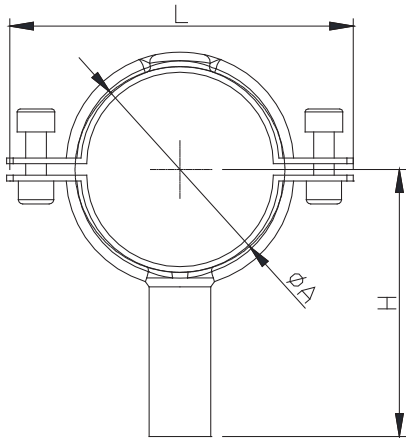
13TH-R TUBE HANGER



UNIT:mm

SIZE	ϕA	H	L
3/4"	19.05	60.0	60.0
1"	25.4	63.0	66.0
1.5"	38.1	70.0	78.0
2"	50.8	76.0	92.0
2.5"	63.5	82.0	104.0
3"	76.2	89.0	119.0
4"	101.6	101.0	149.0

13TH-8750 TUBE HANGER



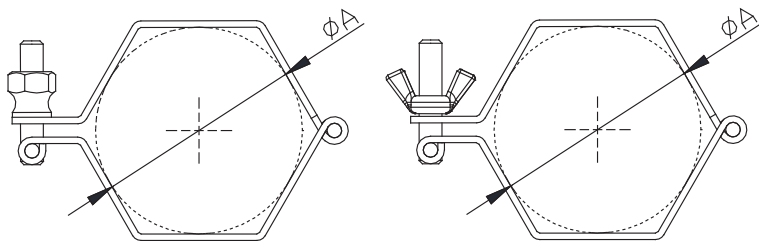
UNIT:mm

SIZE	ϕA	H	L
1/2"	12.7	58.0	64.0
3/4"	19.05	61.0	72.0
1"	25.4	92.0	77.5
1.2"	31.8	95.0	80.5
1.5"	38.1	95.0	88.5
2"	50.8	93.0	104.0
2.5"	63.5	93.0	117.0
3"	76.2	96.0	131.5
3.5"	88.9	92.0	145.0
4"	101.6	96.0	154.0

SMS-13TH-TYPE1 TUBE HANGER

Hex Nut

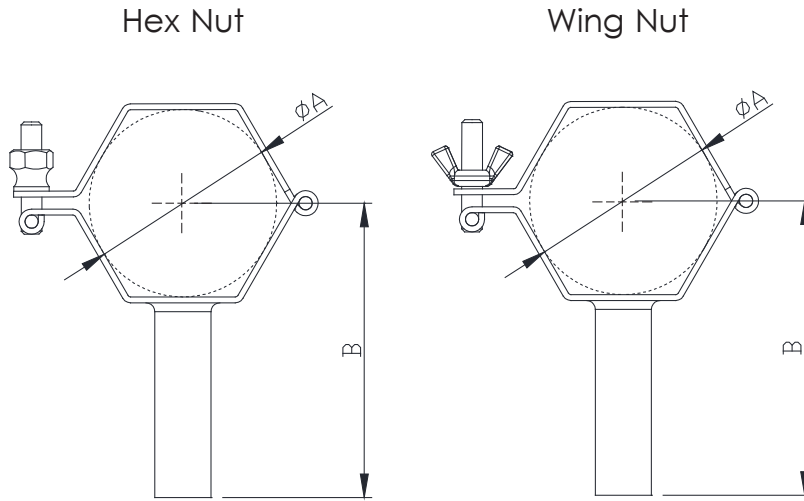
Wing Nut



UNIT:mm

SIZE	ϕA
1"	25.0
1.5"	38.0
2"	51.0
2.5"	63.5
3"	76.1
4"	104.0

SMS-13TH-TYPE2 (B=100) TUBE HANGER

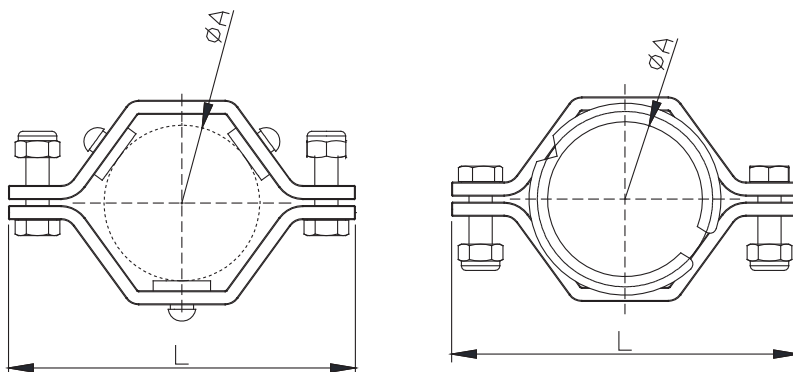


UNIT:mm

SIZE	ø A	B
1"	25.0	100.0
1.5"	38.0	100.0
2"	51.0	100.0
2.5"	63.5	100.0
3"	76.1	100.0
4"	104.0	100.0

B24W TUBE HANGER

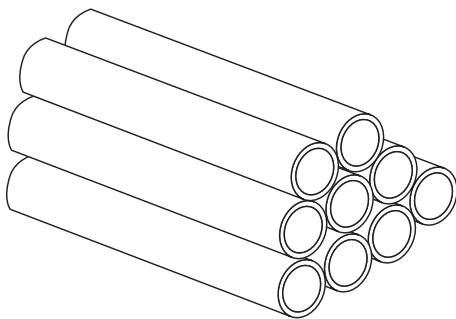
WITH BLACK RUBBER GROMMETS WITH WHITE PP SLEEVES



UNIT:mm

SIZE	ø A	L
1/2"	12.70	64.0
3/4"	19.05	75.0
1"	25.4	87.0
1.5"	38.1	95.0
2"	50.8	110.0
2.5"	63.5	123.0
3"	76.2	140.0
4"	101.6	167.0
6"	152.4	225.0

TUBE



Welded and Seamless Stainless Steel Tubings are available in 6.0M.

Meet ASTM A270 stainless steel tubing standard.

SIZE O.D	3/4"	1"	1.1/2"	2"	2.1/2"	3"	4"	6"
Thickness	1.65	1.65	1.65	1.65	1.65	1.65	2.1	2.8