

CLAMP

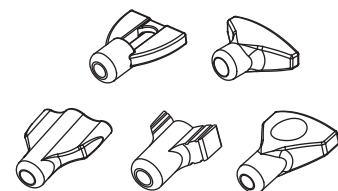
SANFIT offers a variety of clamps for any application which are designed to easily assemble or disassemble your lines and systems for maintenance and cleaning in place.



Whether it is a single pin sanitary hinge clamp or a high pressure clamp, all of your clamp needs are covered here.



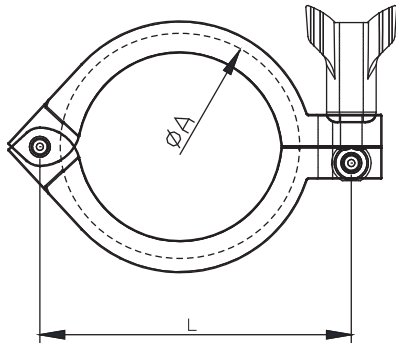
Sanfit Metal



13MHH	單釘夾帶
13MHHS	三片式夾帶
13MHHM	雙釘夾帶
13MHP	重型夾帶
13LB(SF)	雙釘夾帶
WING NUT	蝶型螺帽

13MHH(13LAH) HEAVY DUTY CLAMP SINGLE PIN---(304)

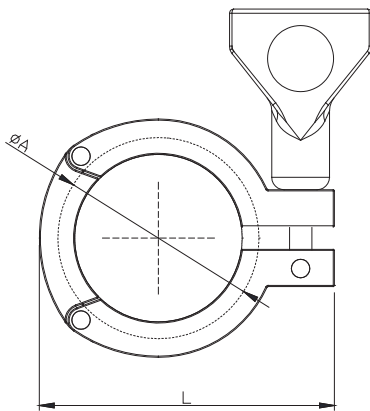
UNIT:mm



SIZE	ϕA	L
1/2"-3/4"	28.4	48.0
1"-1.5"	53.9	72.7
2"	67.4	86.5
2.5"	80.9	99.0
3"	94.4	113.5
DN80	109.4	132.0
4"	122.4	145.0
DN100	133.5	156.0
5"	150.3	173.0
DN125	158.4	188.0
6"	170.1	210.0
DN150	187.0	227.0
8"	221.0	262.0
DN200	238.0	278.0
10"	271.3	322.0
12"	322.5	402.0

13MHHS 3-PC HEAVY DUTY CLAMP ---(304)

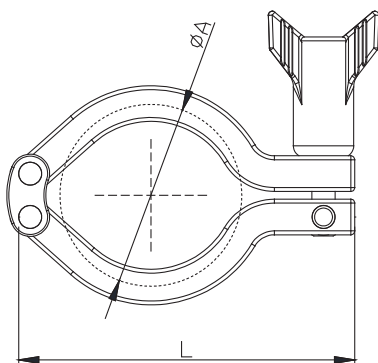
UNIT:mm



SIZE	ϕA	L
1"-1.5"	54.0	80.0
2"	67.5	94.0
2.5"	80.9	109.0
3"	94.4	126.0
4"	122.4	154.0

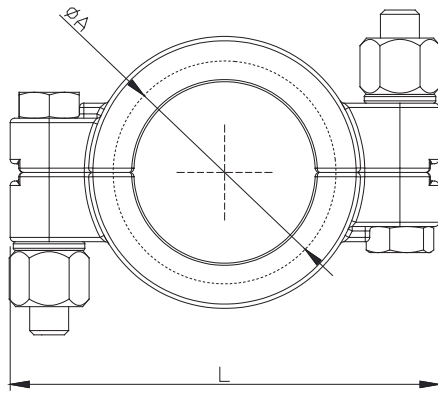
13MHHM HEAVY DUTY CLAMP DOUBLE PIN---(304)

UNIT:mm



SIZE	ϕA	L
1"-1.5"	53.9	87.0
2"	67.4	98.0
2.5"	80.9	115.0
3"	94.4	129.0
4"	122.4	160.0

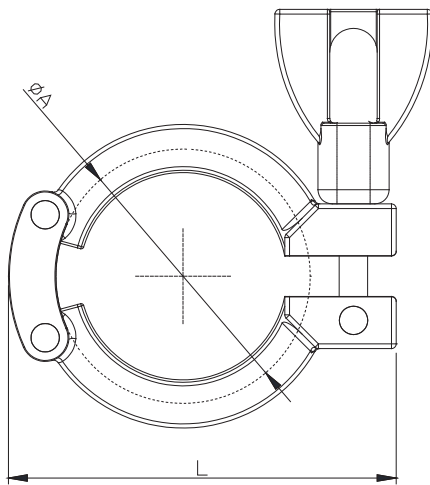
13MHP HIGH PRESSURE BOLTED CLAMP



UNIT:mm

SIZE	$\varnothing A$	L
1/2"-3/4"	28.2	72.4
1"-1.5"	53.7	99.0
2"	67.2	112.8
2.5"	80.2	126.6
3"	94.2	140.3
4"	122.2	165.0
6"	170.0	211.0
8"	221.0	262.0

13LB HEAVY DUTY CLAMP DOUBLE PIN---(304)

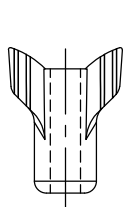
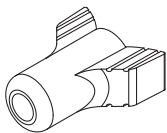


UNIT:mm

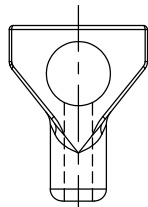
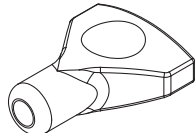
SIZE	$\varnothing A$	L
1/2"-3/4"	33.0	60.0
1"-1.5"	58.6	85.0
2"	72.0	99.0
2.5"	85.6	114.0
3"	99.0	129.0
4"	127.0	157.0
DN125	158.4	205.0
6"	170.0	217.0
DN150	187.0	237.0
8"	221.0	265.0
DN200	238.0	280.0
10"	271.3	319.0
12"	322.5	378.0

Wing Nut

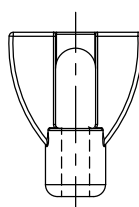
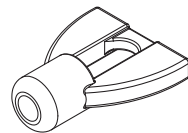
13MHH-11



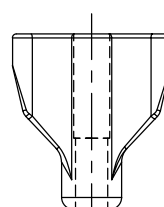
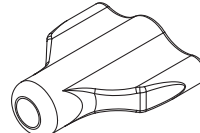
13MHH-14



13SP-2



13MHH-12



13MHH-10

