



SHELTER WORKS

FIBERGLASS SHELTERS
FOR THE
WATER & WASTEWATER INDUSTRIES



WHY SHELTER WORKS?

When thinking about a protective solution for your critical field equipment, you'll find that a fiberglass shelter from Shelter Works is hard to beat.

Our fiberglass enclosures are some of the strongest, most flexible, most cost-effective, and highest-performing equipment shelters in the industry. If you are looking for less hassle and lower cost, with proven durability and long-lasting performance, you should consider Shelter Works.

We are an American-based manufacturer of fiberglass equipment shelters with over forty years of experience in designing and manufacturing equipment enclosures for every industry. We take pride in the quality and durability of our buildings and are dedicated to delivering the right protective solution and optimal operating environment for your critical field equipment. We provide equipment protection solutions for industrial and municipal applications throughout the country. Our fiberglass field equipment shelters meet most military, government, and enterprise equipment enclosure needs.



INDUSTRY LEADING WARRANTY

When you work with Shelter Works, you can specify with confidence. All of our fiberglass shelters are backed by our industry-leading 25-year warranty.

Our motto is that "If it was built by Shelter Works, It was Built for Life." To live up to it, we take a tremendous amount of care in designing the highest quality shelters - engineering each element for unmatched durability.

We combine top-quality components with our innovative FiberBeam™ and FiberWrap™ technologies to ensure the integrity of our products.

Our shelters are put through extensive quality checks to make sure that each one will perform to expectations and live up to our claim. We back that up with an industry-leading 25 year warranty so you can have the peace of mind knowing your field equipment is protected.

BUILT
FOR LIFE





POLYMER TECHNOLOGY : GEL COAT VS. PAINT

Shelter Works' gel coat provides superior resistance to Ultra Violet deterioration and hydrolysis. It uses the same resin chemistry found in the structural fiberglass composite. Sprayed into the molds as the first step in the manufacturing process, the gel coat chemically transforms from a liquid to a solid through cross-link polymerization. When the fiberglass composite is applied, a cross linking of the polymer chains occurs between the layer of gel coat and the fiberglass composite, bonding the two layers into one at the molecular level. The color is now an integral part of the fiberglass, not a coating. Therefore, it will never flake, peel or need to be repainting

CHEMICAL FEED SHELTERS AT WATER TREATMENT PLANT



Shelter Works recently provided three chemical feed shelters to a new water treatment plant that serves a community located 50 miles from the Gulf Coast. The facility delivers 2,000,000 gallons of water per day to the residents and businesses in the area. The processes at the plant require certain chemicals to be added to the water to maintain safe, potable water.

The new field equipment required a protective solution that would withstand exposure to Gulf Coast humidity and moisture as well as the chemicals used in processing the water for the town.

- The first building protects antiscalant dosing equipment that adds a pretreatment water additive for the reverse osmosis system.
- The second shelter protects the dosing pumps used to raise the pH levels of the water by managing the addition of sodium hydroxide which controls the water's acidity.

- The third building houses the equipment that ensures the proper levels of calcium chloride (required by law) to prevent any biological growth.

We spoke with Allan Wright, Site Construction Manager of H2O Innovation, who explained how the system functions and why Shelter Works buildings were specified. *"Our company has worked with Shelter Works in the past and has been really pleased with the quality of the buildings Shelter Works provides,"*



"SHELTER WORKS MAKE SOME REALLY GREAT PRODUCTS SO WE COULDN'T BE HAPPIER."

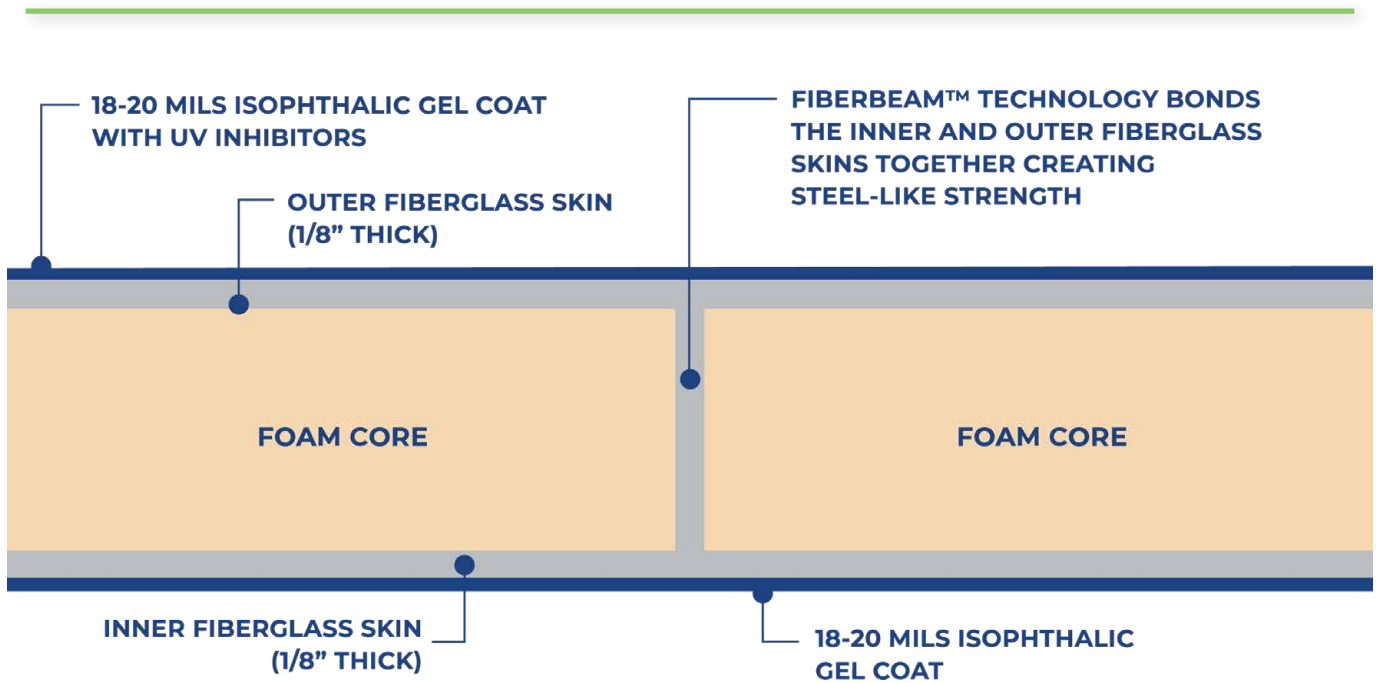
ALLAN WRIGHT, *SITE CONSTRUCTION MANAGER* - H2O INNOVATION

FIBERBEAM TECHNOLOGY

Shelter Works fiberglass shelters feature our exclusive FiberBeam™ technology - an innovative and proprietary composite lamination process that results in a shelter that is pound for pound, stronger than steel.

Foam may be a good insulator but it is not a great structural material. Unlike a typical FRP sandwich panel with a foam core that can fail when placed under stress, Shelter Works fiberglass enclosures are made using our proprietary FiberBeam™ technology.

FiberBeams are essentially fiberglass studs that run vertically through the walls and roof of the shelter. They provide a solid structural connection between the inner and outer layers of the fiberglass skins. The result is a lightweight composite building, equal to the strength of steel, that will not come apart or delaminate.



[VIDEO - WHY IS FIBERBEAM SO IMPORTANT?](#)

PUMP HOUSE SHELTER AND COMPRESSOR BUILDING

THE PROJECT

The Wanaque Reservoir was created by the construction of the Raymond Dam across the Wanaque River in Wanaque Borough, Passaic County, New Jersey. Breaking ground in 1920, the first delivery of water through the 21-mile aqueduct occurred in March 1930. The reservoir can hold up to 29.6 billion gallons with a water surface area of 2,310 acres. Operated by the North Jersey District Water Supply Commission (NJDWSC), water from the Wanaque Reservoir helps to service NJDWSC's 13 member municipalities.

The NJDWSC is currently in the process of upgrading its facilities at the Wanaque Reservoir. The Lagoon Decant Project includes two Shelter Works prefabricated fiberglass buildings. The smaller of the two shelters will be a pump house, the second will be a compressor building. Bob McIntyre of Stone Hill Contracting in Doylestown, PA explained that both shelters will be located at the residuals lagoon and protect equipment that is a part of the residuals process train at the water treatment facility. Due to their location, fiberglass was the chosen building material because of its high level of corrosion resistance and its ability to withstand water and humidity.

THE SHELTERS

- The pump house protects the new triplex pump system, replacing the existing duplex system, and the control panels for the decant structure. The 14' x 14' x 9' shelter includes a full electrical package with interior and exterior LED lighting, heater, and exhaust.
- The second shelter protects the compressors that provide the air for the DAF (Dissolved Air Flotation) units that remove total suspended solids (TSS) and FOG (fats, oils, and grease) particles during the treatment process. This 10' x 15' x 9' shelter has a fully customized electrical package including two load centers, a transformer, interior and exterior LED lighting, and a heater.

The State of New Jersey participates in an Interstate Compact for the construction of modular buildings which requires prefabricated buildings that enter the state to be IBC (International Building Code) compliant. The code requires these shelters to have wood in their walls and roofs for the thermal barrier to achieve IBC compliance. The fiberglass buildings also have 4-1/2" Elfoam in their roofs and 2-1/2" foam in the walls to meet IECC (International Energy Conservation Code) standards, also required by the New Jersey state labeling process.

WORKING WITH SHELTER WORKS

Shelter Works has worked with McIntyre on several NJDWSC projects and when asked about working with Shelter works he described his experience as *"Excellent, they (Shelter Works) work with us every step of the way."*





“IF YOU ARE LOOKING FOR A HIGH-QUALITY SHELTER LOOK NO FURTHER, THIS IS IT! SHELTER WORKS IS A CLASS ACT COMPANY WITH A CUSTOMER SERVICE THAT COMPARES TO NO OTHER.”

BARBARA BENDLIN

BENDLIN, INC. - SHELTER WORKS MANUFACTURER’S REPRESENTATIVE - NEW JERSEY

PE STAMPS AND STATE LABELS

Shelter Works can provide certified PE stamped drawings and structural calculations for any US state. We are also certified in various states’ modular/industrial building programs to provide buildings that are

- ▣ Code Compliant
- ▣ Inspected and Approved
- ▣ Labeled Per State’s Requirement
- ▣ Permitted Prior to Shipping

www.shelterworks.com

**BUILT
FOR LIFE**

THREE ROOM SHELTER SOLUTION FOR CHEMICAL FEED SYSTEM

CHEMICAL FEED SYSTEM NEEDED

DuPage County Illinois recently made some facility upgrades to their Knollwood Wastewater Treatment Plant to upgrade the plant's processes to meet the phosphorus removal requirements outlined in their operating permit. Deuchler Engineering did the design and specifications work for the upgrade and they worked with Drydon Equipment, Inc. to supply the equipment needed for a complete, enclosed chemical feed system for biological phosphorus removal. They used a Shelter Works fiberglass building to house the system.

CUSTOM SOLUTION

A fiberglass building was specified because of its high chemical resistance. Ferric chloride, a chemical used in the water purification process, is considered to be a high fuming chemical that can be corrosive to metals.

The system design required the shelter to be constructed with three separate compartments, with individual access doors.

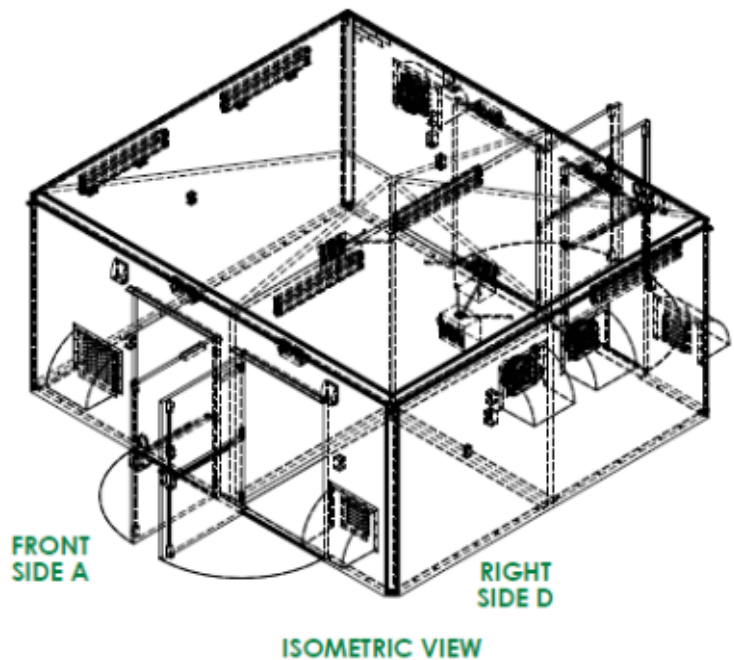
- Room One - Chemical Feed System
- Room Two - Water Heater
- Room Three - The SCADA system consisting of the computers, instrumentation, and controls necessary to properly monitor the systems.

Each room was designed to provide the proper operating environment for the equipment it housed while limiting exposure to chemicals and fumes for the equipment not directly attached to the chemical feed system.

CUSTOMER SATISFACTION

"The neat thing about this cost-effective chemical feed system solution is that it was able to be designed all in one piece." That's what George Argiris, Sales Representative for Drydon Equipment, explained about the Shelter Works' custom-engineered building.

Drydon Equipment is a manufacturer's representative that serves water and wastewater treatment operations for industrial applications and municipalities throughout northern Illinois, Wisconsin, and Michigan's Upper Peninsula.



BUILT
FOR LIFE



“SHELTER WORKS ALLOWS US TO DELIVER THE WHOLE PACKAGE—NOT JUST THE EQUIPMENT ITSELF BUT ALSO THE BEST PROTECTION FOR THAT EQUIPMENT AT A GREAT PRICE.”

GEORGE ARGIRIS
DRYDON EQUIPMENT SALES



TOUGH SHELTERS ENSURE REPEAT CUSTOMER IN HURRICANE ZONE

TROPICAL ENVIRONMENT

The city of Destin, Florida, known for its white beaches and emerald green waters, is located on a peninsula between the Gulf of Mexico and Choctawhatchee Bay. It's a popular vacation spot frequented by thousands each summer who go to enjoy the many attractions offered by the tropical beach community. It is a growing city that hosts a robust tourist season as well as an influx of snowbirds during the winter months.

Destin Water Users (DWU) provides water utility, wastewater, and reclaimed water services to Destin and portions of unincorporated Okaloosa County. The wastewater from these areas goes to the George French Water Reclamation Facility (WRF) where it is treated and sent back out into the community for beneficial reuse as landscape irrigation at shopping centers, condominium complexes, golf courses, parks, individual residences, and for in-plant operations.



HOUSING CHEMICAL FEED SYSTEMS

DWU recently purchased two Shelter Works fiberglass buildings to protect chemical feed systems. The first for Alum, a commonly used coagulant aiding in clarification and phosphorus removal for many industrial and sanitary wastewater treatment applications. The second, houses the sampler for the influent flow sampling at the facility's headworks.

Fiberglass shelters are an ideal solution for protecting chem feed systems because of their corrosion resistance. The harsh elements found in wastewater and tropical environments cannot find their way through Shelter Works' fiberglass shelters because they utilize the same gel coats used to produce today's marine craft. The gel coat outer layer protects the shelter from moisture, chemicals, and UV damage that can cause the corrosion and rot seen in metal and wood structures. Gel coat is one of the reasons we can offer an industry-leading 25-year warranty.

STRENGTH AND QUALITY

Shelter Works' manufacturing process results in a lightweight composite building system, equal to the strength of steel that will not come apart or delaminate. Over the years, Destin Water Users has purchased several Shelter Works fiberglass buildings because of their durability, longevity, and overall value.

These two shelters were purchased with assistance from our manufacturer's rep, Mike Sims at Eco-Tech, Inc., who represents Shelter Works in Alabama and the Florida panhandle. Sims enjoys working with Shelter Works because *"They help me get the best product to my customers... and they work with me to provide each customer's unique build."*



“THE BUILDINGS ARE VERY STURDY AND BUILT VERY WELL. THEY HAVE HELD UP THROUGH SEVERAL HURRICANES AND IN THIS AREA, IF THEY MAKE IT THROUGH A HURRICANE THEY ARE TOUGH. THEY ARE BUILT WELL AND VERY ECONOMICAL.”

LOGAN LAW, PLANT MANAGER
GEORGE FRENCH WATER RECLAMATION FACILITY

BOOSTER PUMP STATION

SYSTEM SUPPLIER

Pumps of Oklahoma is a wholesale distributor and packaged systems provider who works with municipalities and commercial companies to engineer systems for water wells, irrigation, water transfer, pressure boosting, waste water treatment systems and more. When they were called upon to add a pump booster station to increase the water pressure for a rural water district in Mound City, Kansas there were several reasons why they included on Shelter Works to protect that system.

TURNKEY SOLUTION

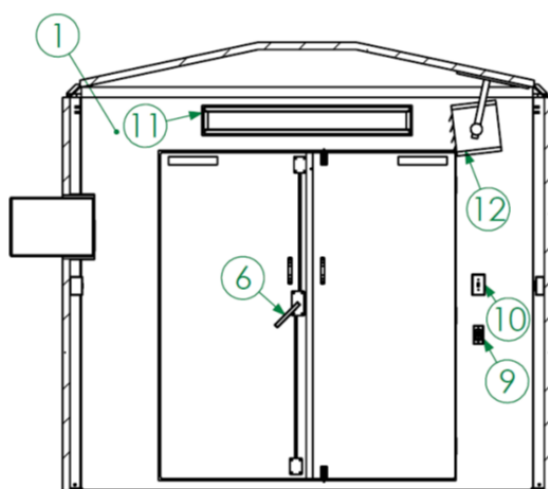
Tyler Engbretson, Outside Sales Representative for Pumps of Oklahoma explained that by using a Shelter Works fiberglass enclosure there was no need to deal with the scheduling and permitting hassles of having to hire multiple outside contractors to build something onsite. Pumps of Oklahoma created a complete, all-in-one, fabricated pump skid station using the Shelter Works field equipment shelter that would protect the pump booster as well as the electrical equipment that monitors and manages that equipment. "We wanted a double door

entrance in case we need to move or service the equipment at some point in time, and we were able to specify exactly what we wanted. The shelter comes from the manufacturing facility ready to go, with all electrical completely wired, user-friendly and 'plug-and-play' ready."

ENGINEERED FOR ALL WEATHER

Shelter Works field equipment buildings provide protection from all weather extremes.

This pump station sits in a remote field in an environment where temperatures can range from -10°F in winter to 110°F in summer. With air-conditioning units that cool in summer, a heating unit for winter operation, and adjustable louver vents that facilitate airflow in spring and fall, optimal functioning temperatures can be maintained.



WARRANTY

We put all of our shelters through extensive quality checks to ensure that every shelter will perform to expectations and live up to our claim. Shelter Works field equipment buildings come with a standard 25-year warranty to put customers at ease.

SHELTER WORKS CUSTOM ENGINEERED SOLUTION WAS SUPER-EASY FOR US TO USE, AND WE WERE IMPRESSED WITH THE VALUE COMPARED TO A SITE-BUILT BRICK BUILDING WE COULD HAVE SPECIFIED. THE BUILDING LOOKS GREAT AND THE CUSTOMER WAS VERY HAPPY."

TYLER ENGBRETSON, *OUTSIDE SALES REPRESENTATIVE*
PUMPS OF OKLAHOMA

EQUIPMENT PROTECTION FOR HYDRO-ELECTRIC FACILITY IN REMOTE LOCATION

The West Fork Upper Battle Creek Diversion project, a \$46 million expansion of Alaska's largest hydroelectric facility at Bradley Lake Dam, sits about 30 miles northeast of Homer at the head of Kachemak Bay. The facility supplies wholesale power to six electric utilities that comprise the Railbelt electrical grid. The project expects to increase the practical power production capacity at the Bradley Lake Dam by approximately 10% and add around 5,000 homes to the Railbelt region's main grid.

PROTECTION FROM THE ELEMENTS

The two-year project consists of laying a 1.7-mile-long pipeline to redirect glacial runoff to the Bradley Lake Dam, and a three-mile access road leading to the diversion site. Shelter Works worked with GMC Contracting of Anchorage, AK to provide ten fiberglass shelters that were placed along the access road to house and protect the pipeline's intake air valve access port assemblies from the elements. Each 6' x 9' x 8' shelter has a 3.5" foam core insulation furnishing them with an R-Value of R-24 to prevent the pipeline from freezing in average winter lows of 21°F that can dip as low as 3°F.



BY 25 YEAR WARRANTY

The customer chose Shelter Works fiberglass field equipment buildings because of their longevity and a 25-year warranty. The minimal maintenance required by the enclosures makes them the perfect solution for remote locations. Knowing the shelter is backed by the 25-year warranty provides additional peace of mind.

WHY SHELTER WORKS

According to Cherie Ball, Contract Administrator for GMC Contracting, this was their first time working with prefabricated fiberglass buildings. They found the 3,940 miles between production in St. Louis, MO, and installation in Kachemak Bay daunting, not knowing what to expect, but ultimately the entire process ended up being smooth and Shelter Works provided a quality product. Ball stated, "The staff was professional, friendly, and helpful from

the estimate process to the coordination in dealing with the shipping company." Asked if GMC would work with Shelter Works again Ball said, "Yes, and I already have, and will continue to recommend Shelter Works to other Alaska contractors who need fiberglass buildings."

WELL HOUSES ON A FLOODPLAIN

FIBERGLASS SHELTER ON A PEDESTAL

The Premier 370 Business Park is an 850-acre business development located in St. Peters, Missouri, a growing city nestled between the Missouri and Mississippi Rivers. The Business Park is home to several warehouses, distribution centers, and manufacturing facilities. When the city of St. Peters needed three new wells drilled to support the development's operations, they worked with Martin General Contracting, a family-owned and operated company specializing in water and wastewater treatment projects for state and government entities. For field equipment protection, Martin General Contracting turned to Shelter Works.

ACCOMMODATING THE OPERATING ENVIRONMENT

This project consisted of three fiberglass equipment shelters. Two shelters, measuring 12' x 12' x 8' were located in the area's floodplain. To accommodate their location and the threat of potential floodwaters, they were mounted on elevated metal platforms, using a crane, then welded to the wells' casings.

The third and largest structure, measuring 12' x 21' x 8', was anchored to a cement pad located outside of the floodplain. Tim Harrelson, Superintendent for Martin General Contracting, oversaw the shelters' arrival and said "Delivery was on time and installation was a breeze."

Each shelter has a 4' x 4' aluminum roof hatch to be utilized when the pumps need to be repaired or replaced. The location of the hatches above the pumps allows for easy crane removal and replacement of the equipment. Primary access to the shelters is a single door with an inset window and a low profile threshold.



VENTILATION AND ELECTRICAL PACKAGES

Ventilation and heating systems were installed to maintain interior temperatures below 100 degrees in the summer and a minimum of 50 degrees in the winter. The ventilation system, controlled by an HOA selector switch, was sized to prevent the indoor temperature from exceeding the indoor design temperature when the outdoor design temperature occurs. Ideally at 6 air changes per hour.

The heating system, controlled by a wall-mounted thermostat, was sized based on heat loss calculations and positioned to distribute heat to all areas inside of the shelter. Both systems took into account the additional heat loads generated by the equipment housed and the increased R-value provided by the 3-inch foam in the ceilings of the shelters.

Each enclosure included an electrical package consisting of a load center, fluorescent lights, switch with weatherproof cover, GFCI receptacle with weatherproof cover, thermostat, and the above-mentioned ventilation and heating systems.

MEETING THE SPECIFICATION

All three shelters received PE Stamps, as required by the specifications, to ensure structural integrity with regard to snow, wind, and seismic loads. The spec also required IECC and ASHRAE 90.1 conformity, therefore COMchecks were run by the professional engineer to verify the shelters would meet the Department of Energy's commercial energy compliance requirements. Wood was placed in all four walls of each shelter to achieve IBC and seismic certifications.

STRONGER, SAFER, MORE ENERGY EFFICIENT SHELTERS

IBC - The International Building Code is a model developed by the International Code Council (ICC) that has been adopted as a base code standard for new construction safety by many states and/or cities in the United States.

IEEC - The International Energy Conservation Code is a resource that sets out minimum efficiency standards for the walls, floors, ceilings, lighting, windows, doors, and duct leakage for new construction. It is often used by states that have adopted energy codes that will result in the optimal use of fossil fuel and renewable energy resources.

ASHRAE - The American Society of Heating, Refrigerating and Air Conditioning Engineers serves as a source for technical standards and guidelines so HVAC professionals have access to up to date procedures when designing, installing, and testing HVAC systems.

LEACHATE PUMP STATION AT COUNTY LANDFILL

In December of 2016 the County Commissioners of Somerset County, Maryland approved the decommissioning of the Fairmount Wastewater Treatment Plant and then extending of the sewer lines to link to an existing wastewater plant in the nearby Westover Sewer System. The project included demolishing the Fairmount plant, upgrading the pumps at the Fairmount Pump Station, and running a force main from the pump station to the Westover Sewer System.

Flow previously pumped from the Fairmount Pump Station to the Fairmount WWTP will now be directed to the existing Westover Sewer System and processed in nearby Princess Anne. By running a force main 5 ½ miles to connect to the Westover system, they extended service and allowed for the sewer transfer of treated leachate from the Somerset County landfill, eliminating the need for hauling to the Princess Anne treatment plant for further processing. As part of the system expansion, Shelter Works was called upon to provide a replacement fiberglass shelter for the existing leachate pump station at the landfill.

ENVIRONMENTAL FACTORS

Somerset County sits on Maryland's Eastern Shore between the Chesapeake Bay and the Atlantic. It experiences average rainfalls of 45 inches a year and average humidity of 77%.

A fiberglass field equipment shelter will have a longer lifespan, with minimal maintenance, than other building materials when exposed to high levels of moisture from both the weather and the leachate collection process.



The building Shelter Works provided includes an electrical package consisting of a load center and LED lighting. To accommodate the average winter temperature lows of 29° the shelter's insulation was increased, providing an R-Value of 15. A heater was also installed to ensure the pumps would not freeze on the occasions when temperature lows dipped into the teens.



AN IDEAL SOLUTION

According to Dwight Swan, Sales Engineer at Envirep/TLC "Shelter Works fiberglass enclosures are a great option for protecting the equipment for a landfill pumping station. Leachate is very corrosive and could damage other types of shelters. Because it is resistant to corrosive elements, chemicals, and gasses found in a landfill environment, fiberglass is an ideal medium for housing a leachate pump station."

"SHELTER WORKS SHIPS THEIR ENCLOSURES FULLY ASSEMBLED, MAKING INSTALLATION AT THE JOB SITE QUICK AND EASY FOR THE CONTRACTOR. THEY ASSIST THE ENGINEER IN ALL PHASES OF A PROJECT, FROM DESIGN ASSISTANCE TO EQUIPMENT SPECIFICATIONS/DRAWINGS, SUBMITTALS, AND INSTALLATION MANUALS".

DWIGHT SWAN, SALES ENGINEER
ENVIREP/TLC

WHAT IS LEACHATE?

Leachate is the liquid by-product of the the chemical, physical, and biological changes that result from water percolating through a solid waste disposal site like a landfill, incineration plant, transfer plant, or composting plant. The volume of leachate produced varies with the amount of fluid in the waste, rainfall, and storm water run off.

TOUGH FIBERGLASS SHELTERS

FIELD EQUIPMENT SHELTERS THAT WON'T RUST, ROT, CORRODE, OR DECAY

The unique characteristics of Shelter Works' fiberglass field equipment shelters make them naturally resistant to cracking, peeling, and dents which are catalysts for rot and corrosion. Shelter Works fiberglass field equipment shelters stand up to pollution, humidity, chemicals, and water, making them the ideal solution for water applications and locations prone to humidity and rain. No routine maintenance is required making for a lower lifetime cost and a longer-lasting shelter.

Metal buildings experience corrosion in the form of rust or pitting. Corrosion is preventable with the use of coatings, paints, and other inhibitors but these solutions require regular maintenance and can increase the overall lifetime cost of the building.

The only exterior metal used in a Shelter Works assembly is the stainless steel screws that hold the walls and roof to each other. These screws can be upgraded to 316 stainless steel for the most aggressively corrosive environments.

Wood shelters will experience wood rot caused by moisture and fungi that deteriorate the timber used in stick-built construction. Once discovered rot usually requires replacement of

the affected wood. The best prevention for rot is routine maintenance and repainting of areas that exhibit cracking and peeling.

Shelter Works Fiberglass Reinforced Polymer (FRP) buildings only use wood that is encapsulated within the protective coating of the FRP, guaranteeing that the wood will not rot for the duration of the building's 25 Year Warranty.

Corrosive fumes and microorganisms cannot find their way through Shelter Works' fiberglass shelters because we utilize the

same gel coats used to produce today's marine craft, transportation equipment, and aircraft. Gel coat is not a paint applied after production. It is molecularly bonded to the fiberglass during the manufacturing process becoming a part of the composite. It will not crack or peel like paint. The gel coat

outer layer protects the shelter from moisture, chemicals, and UV damage that can cause the corrosion and rot seen in metal and wood shelters.

Our customers need durable, maintenance-free structures that will be aesthetically pleasing over long periods of time. That's why we are putting science to work for our customers and using high quality gel coats instead of paints.



WHY FIBERGLASS IS BETTER

■ **Maintenance Free** – A molded fiberglass shelter will last for decades exposed to the harshest elements without noticeable deterioration. The gel coat may eventually fade, but the FRP composite will remain as strong as the day it was delivered.

■ **Lowest Lifetime Cost of Ownership**
Because you don't have to paint, repair or replace it, there is no costly maintenance. The shelter pays for itself many times over during its long and useful life.

■ **Easy to Install** – The shelter arrives fully assembled and ready to set in place using common construction site equipment.

■ **Energy Efficient** – Shelter Works' unique manufacturing process creates continuous insulation throughout the walls and roof, with no thermal bridges. The foam insulation, encapsulated within the fiberglass, protects it from damage and will retain its insulation properties for the life of the shelter.



■ **Performs in Any Environment** – The durability of a Shelter Works shelter remains unchanged, even in extreme temperatures, hurricane winds, Alaskan snow loads, and coastal climates. Fiberglass can easily withstand humidity, chemical exposure, and other corrosive environments.

■ **Customizable** – Every shelter is engineered to order.

BUILT FOR LIFE

SHELTER WORKS FIBERGLASS SHELTERS ARE MAINTENANCE-FREE STRUCTURES THAT ARE “BUILT FOR LIFE” AND COVERED BY OUR INDUSTRY LEADING 25-YEAR WARRANTY. MANUFACTURED USING UV RESISTANT GEL COATS THAT CAN WITHSTAND DECADES OF EXPOSURE TO THE ELEMENTS WITH MINIMAL FADING, OUR SHELTERS WILL NOT RUST, ROT, CORRODE OR DECAY.

VISIT OUR WEBSITE WWW.SHELTERWORKS.COM

**BUILT
FOR LIFE**