



SINKS - FAUCETS - ACCESSORIES



 **USA**

14805 Willard Road Suite E, VA 20151
Tel: 1-703-488-9981 Fax: 1-703-488-9982
Email: info@smcsinks.com
www.smcsinks.com

 **CANADA**

7040 Torbram Road Unit 11-12 Mississauga, ON L4T 3Z4
Tel: 905-564-1088 Fax: 905-564-9740
Email: info@smcgroup.ca
www.smcgroup.ca



Who is SMC ?

SMC is a family owned business operating from locations in Canada and USA. Our parent company (SMC Group) has been in business for over four decades.

Our primary objective is to become a market leader in the supply of kitchen and bathroom products and accessories. We aspire to achieve this goal by providing high quality durable products, offering excellent service to our valued customers to win their confidence, and continuing to introduce new and innovative products at competitive prices.

We believe in developing a relationship with our customers through high standard of service and attribute our success in the North American market so far to their satisfaction and willingness to recommend us to other clients.

We are currently dealing with builders, granite fabricators, renovators, etc. This relationship helps our products get placed in the housing projects of the finest builders in the market. We are excited with our innovative product line backed by excellent customer service and look forward to meeting you to discuss your current program.



COLLECTION GALLERY



SIGNATURE SERIES



SMC 8247



SMC 8191



SMC 7447



SMC 8291L



SMC 8291R



SMC 2921L



SMC 2921R



 **USA Only**
SMC 7030



 **USA Only**
SMC 3070



 **USA Only**
SMC 8020



 **USA Only**
SMC 3018-P



 **USA Only**
SMC 2718-P



 **USA Only**
SMC 2421



SMC 2318



SMC 2018



 USA Only
SMC 3322-8/6



 Canada Only
SMC 7991



SMC 1815



 USA Only
SMC 1616



SMC 1512



 USA Only
SMC 410



 USA Only
SMC 2522-8/6



 Canada Only
SMC 9391



SMC 9491

PREMIUM SERIES



SMC D3219



SMC S3219



SMC D3260



SMC D3218



SMC S3218



SMC D3240



Canada Only
SMC D3118



Canada Only
SMC TD3120



USA Only
SMC D3018



USA Only
SMC S3018



SMC D2918



SMC S2903



SMC S2718



(9" Apron)
USA Only
SMC AS3021



(9" Apron)
SMC D4105



(9" Apron)
SMC S4105



USA Only
SMC S2318



SMC S2218



SMC S1717



Canada Only
SMC TL2522

GRANITE SERIES



SMC 902B



SMC 902W



SMC 902C

BATHROOM SERIES



 **USA Only**
SMC 1612



SMC 1813



SMC 1611



SMC 1812



SMC 1310



SMC 1714



 **USA Only**
SMC 1613



 **USA Only**
SMC 1512



 **USA Only**
SMC 1411



SMC 1011



SMC 6026



SMC 6050

KITCHEN FAUCETS



SMC 8900-BN



SMC 8300-BN



SMC 7008-BN



SMC 7017



SMC 8400-BN



SMC 8200-BN



SMC 9900-BN



SMC 7003-BN



SMC 7004-BN



SMC SD01A-BN

BATHROOM FAUCETS



SMC 6001



USA Only
SMC 3007



SMC 8700-BN



SMC Q-01



SMC 8600-BN



USA Only
SMC 8500-BN



SMC 6002



USA Only
SMC 7002



USA Only
SMC 8800-BN



SMC 8004-C



SMC 8003-BN

OPTIONAL ACCESSORIES

Pop-up Drainer



SMC 1024

Soap Dispenser



SMC 1040

Colander



SMC CD2010

Drying Rack



SMC DR120

Basket Strainer



SMC BS2000

Faucet Plate



SMC 1030

Wooden Cutting Board



SMC CB100



MODEL SMC 2318

LIMITED LIFETIME WARRANTY

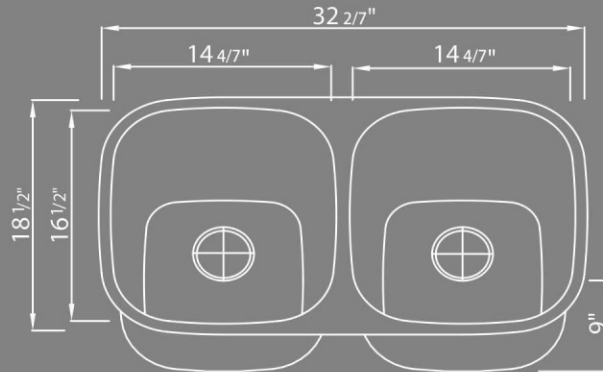
SIGNATURE SERIES



MODEL SMC 8247



18 Gauge 32-2/7" X 18-1/2" X 9"



33" Minimum Cabinet Size

Optional

HD-100 BS-2000

SC-100

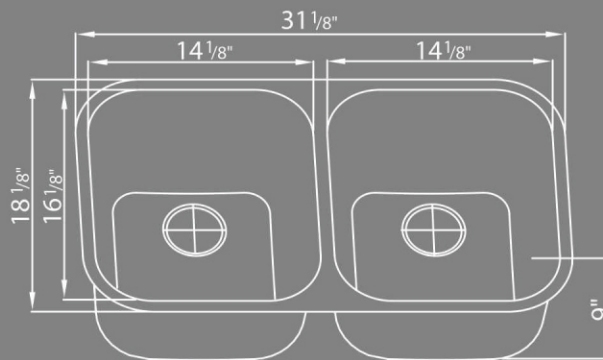
BG-8247



MODEL SMC 8191



18 Gauge 31-1/8" X 18-1/8" X 9"



33" Minimum Cabinet Size

Optional

HD-100 BS-2000

SC-100

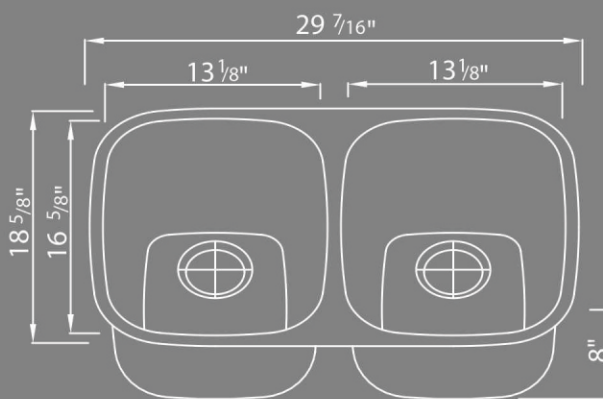
BG-8191



MODEL SMC 7447



18 Gauge 29-7/16" X 18-5/8" X 8"



30" Minimum Cabinet Size

Optional

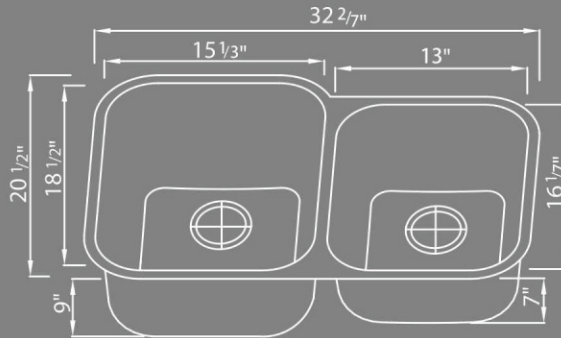
HD-100 BS-2000

SC-100

BG-7447



MODEL **SMC 8291L**



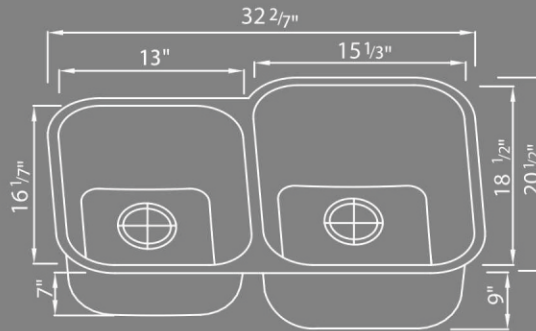
18 Gauge **32-2/7" X 20-1/2" X 9" / 7"**



33" Minimum Cabinet Size



MODEL **SMC 8291R**



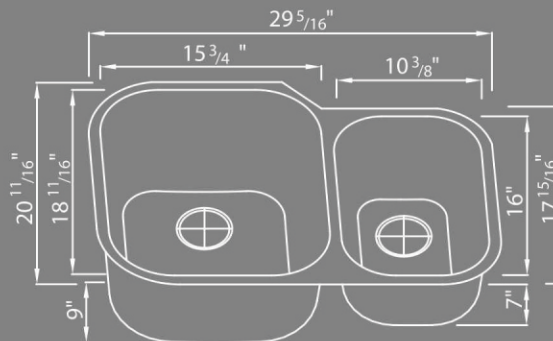
18 Gauge **32-2/7" X 20-1/2" X 7" / 9"**



33" Minimum Cabinet Size



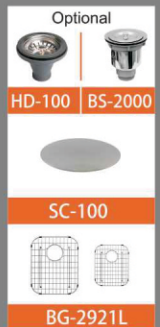
MODEL **SMC 2921L**



18 Gauge **29-5/16" X 20-11/16" X 9" / 7"**



30" Minimum Cabinet Size

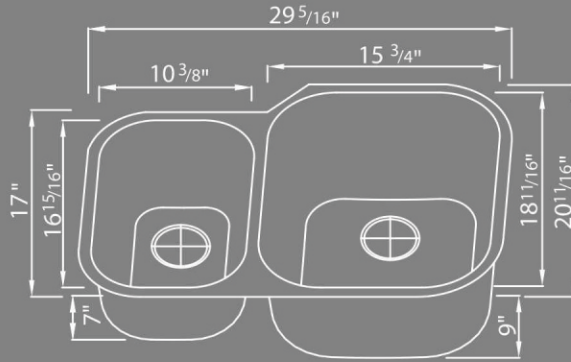


LIMITED LIFETIME WARRANTY

MODEL SMC 2921R



18 Gauge 29-5/16" X 17" x 20-11/16" X 7"/9"



30" Minimum Cabinet Size

Optional

HD-100 BS-2000

SC-100

BG-2921R

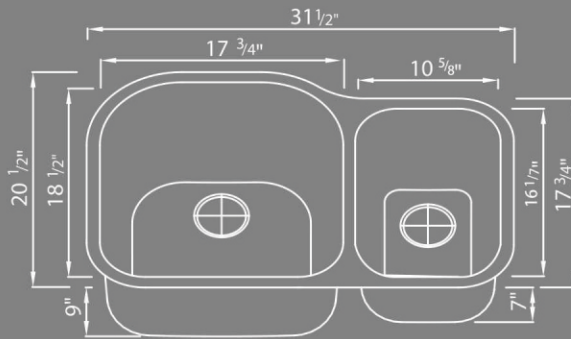


MODEL SMC 7030

USA Only



18 Gauge 31-1/2" X 20-1/2" X 9"/7"



33" Minimum Cabinet Size

Optional

HD-100 BS-2000

SC-100

BG-7030

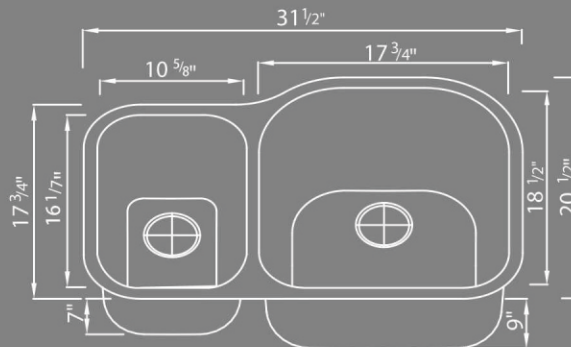


MODEL SMC 3070

USA Only



18 Gauge 31-1/2" X 20-1/2" X 7"/9"



33" Minimum Cabinet Size

Optional

HD-100 BS-2000

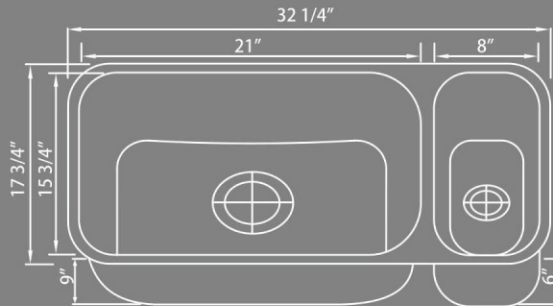
SC-100

BG-3070



MODEL SMC 8020

USA Only



18 Gauge 32-1/4" X 17-3/4" X 6" / 9"



33" Minimum Cabinet Size

Optional

HD-100 | BS-2000

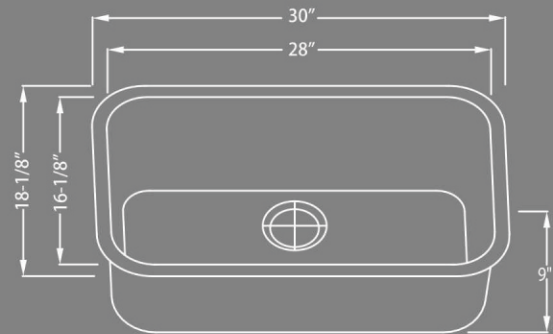
SC-100

BG-8020



MODEL SMC 3018-P

USA Only



18 Gauge 30" X 18-1/8" X 9"



33" Minimum Cabinet Size

Optional

HD-100 | BS-2000

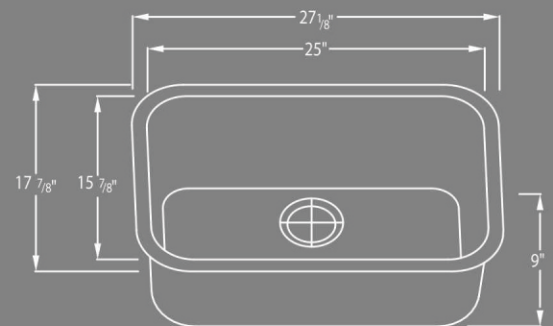
SC-100

BG-3018-P



MODEL SMC 2718-P

USA Only



18 Gauge 27-1/8" X 17-7/8" X 9"



30" Minimum Cabinet Size

Optional

HD-100 | BS-2000

SC-100

BG-2718-P



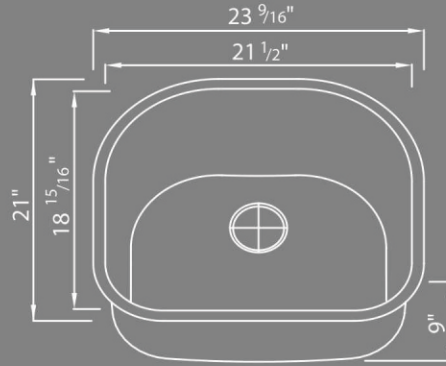
LIMITED LIFETIME WARRANTY

MODEL **SMC 2421**

 USA Only



18 Gauge **23-9/16" X 21" X 9"**



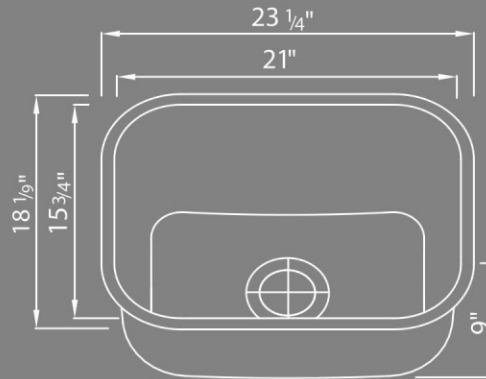
24" Minimum
Cabinet Size



MODEL **SMC 2318**



18 Gauge **23-1/4" X 18-1/9" X 9"**



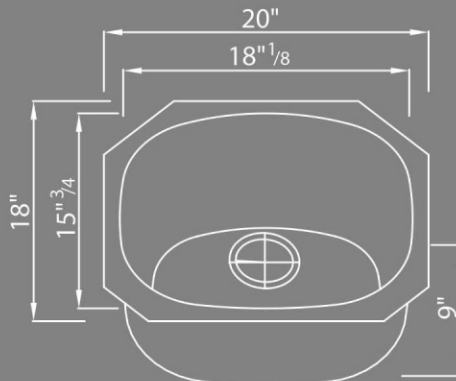
24" Minimum
Cabinet Size



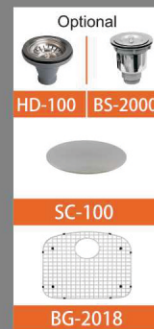
MODEL **SMC 2018**



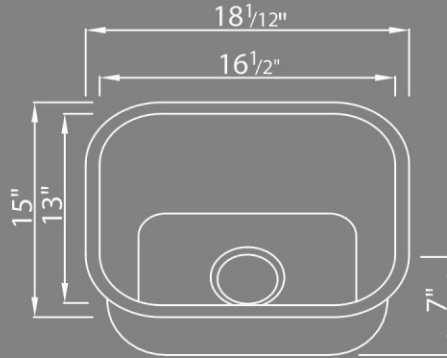
18 Gauge **20" X 18" X 9"**



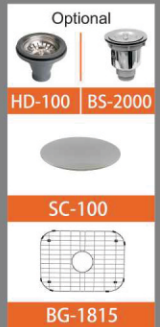
21" Minimum
Cabinet Size



MODEL SMC 1815

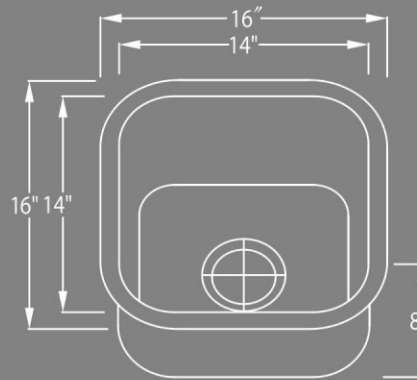


16 Gauge 18-1/2" X 15" X 7"

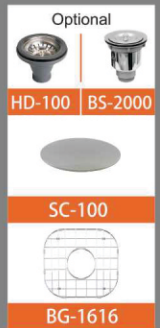


MODEL SMC 1616

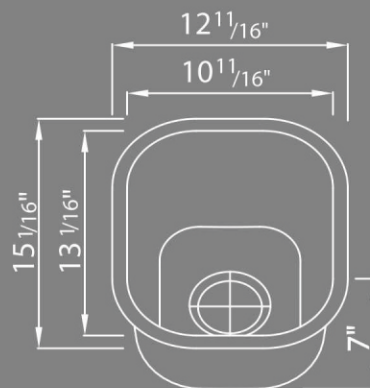
USA Only



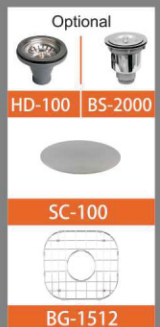
18 Gauge 16" X 16" X 8"



MODEL SMC 1512



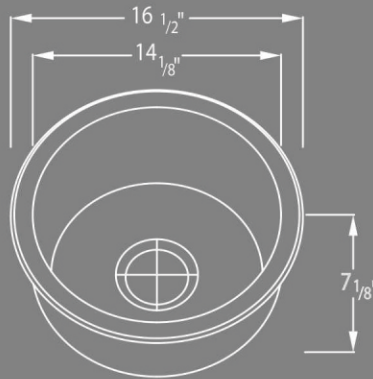
18 Gauge 12-11/16" X 15-1/16" X 7"



LIMITED LIFETIME WARRANTY

MODEL SMC 410

 USA Only



18 Gauge 16-1/2" X 7-1/8"

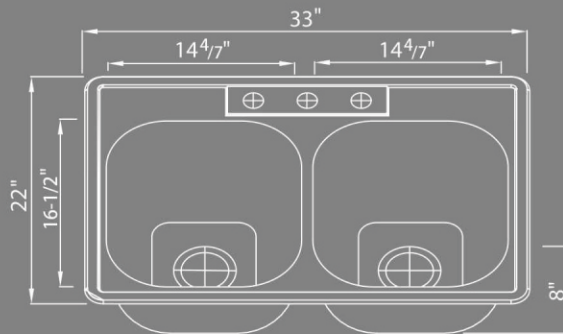


18" Minimum Cabinet Size



MODEL SMC 3322-8/6

 USA Only



18 Gauge 33" X 22" X 8"

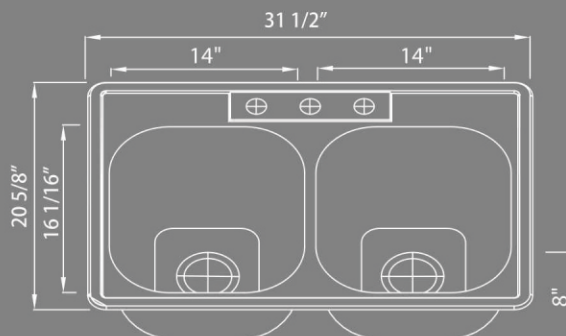


33" Minimum Cabinet Size



MODEL SMC 7991

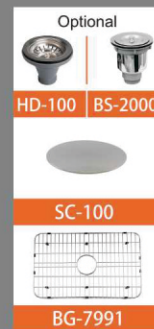
 Canada Only



18 Gauge 31-1/2" X 20-5/8" X 8"

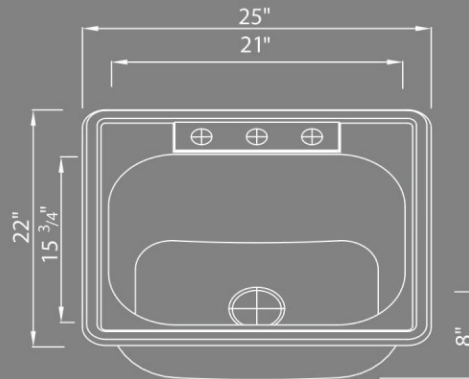


33" Minimum Cabinet Size



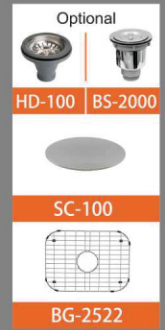
MODEL **SMC 2522-8/6**

USA Only



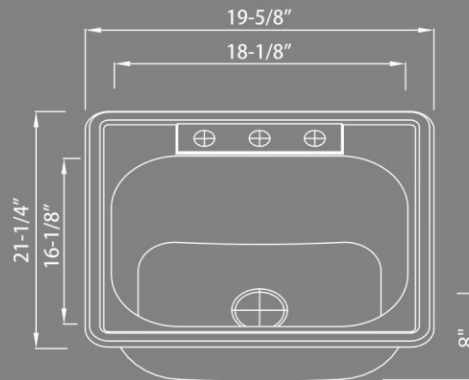
18 Gauge **25" X 22" X 8"**

18" Minimum Cabinet Size



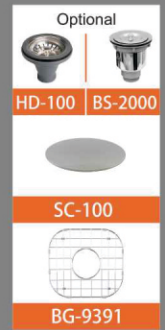
MODEL **SMC 9391**

Canada Only

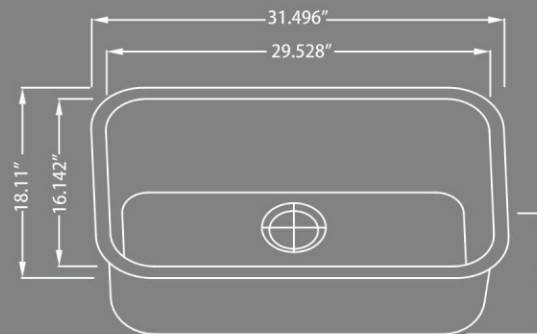


18 Gauge **20" X 20.47" X 8"**

18" Minimum Cabinet Size

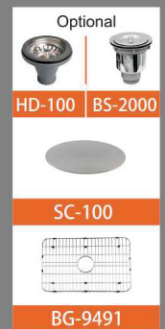


MODEL **SMC 9491**



18 Gauge **31-1/2" X 18-1/8" X 9"**

33" Minimum Cabinet Size



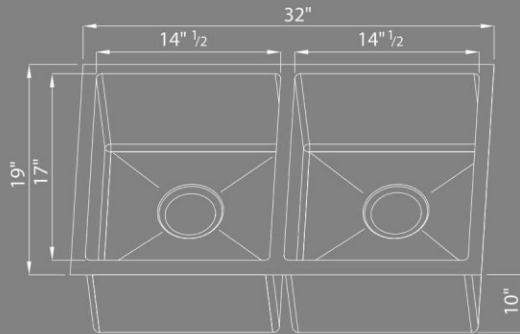
PREMIUM SINK SERIES

SMC
symbol of excellence



MODEL SMC AS3021

MODEL **SMC D3219**



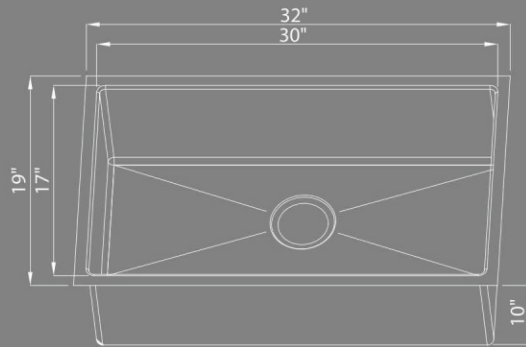
16 & 18 Gauge **32" X 19" X 10"**



33" Minimum
Cabinet Size



MODEL **SMC S3219**



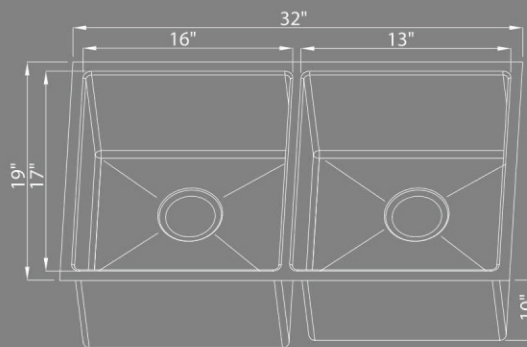
16 & 18 Gauge **32" X 19" X 10"**



33" Minimum
Cabinet Size



MODEL **SMC D3260**



16 & 18 Gauge **32" X 19" X 10"**



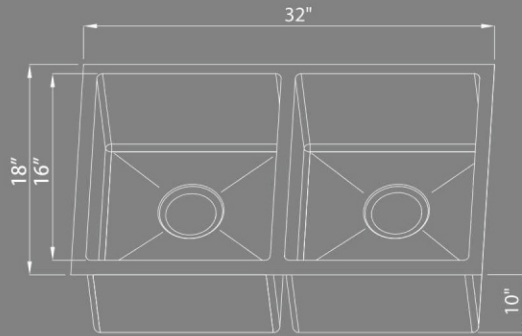
33" Minimum
Cabinet Size



LIMITED LIFETIME WARRANTY

SMC
symbol of excellence

MODEL **SMC D3218**



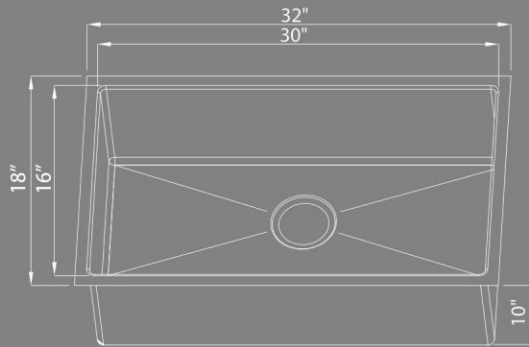
16 & 18 Gauge **32" X 18" X 10"**



33" Minimum
Cabinet Size



MODEL **SMC S3218**



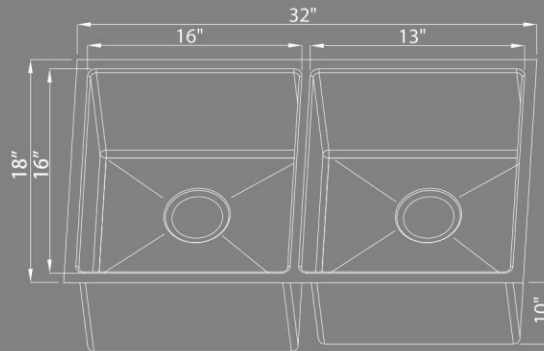
16 & 18 Gauge **32" X 18" X 10"**



33" Minimum
Cabinet Size



MODEL **SMC D3240**



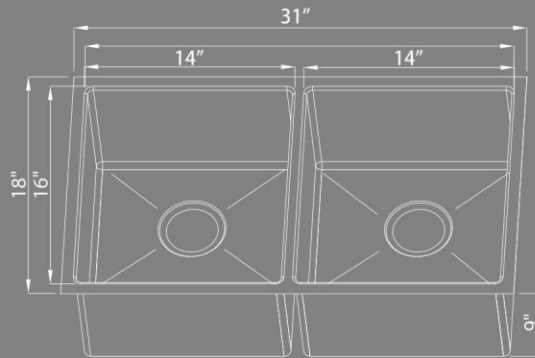
16 & 18 Gauge **32" X 18" X 10"**



33" Minimum
Cabinet Size



MODEL SMC D3118



16 & 18 Gauge 31" X 18" X 9"



33" Minimum Cabinet Size

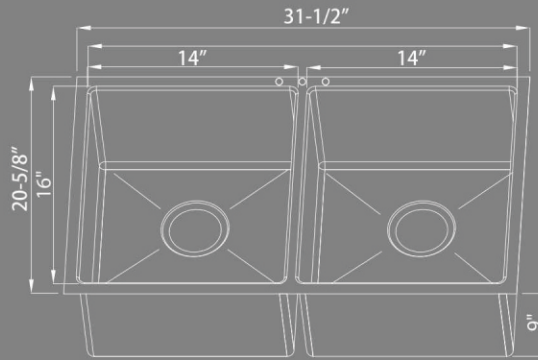
Optional

HD-100	BS-2000
CB100	1040
BG-D3118	



MODEL SMC TD3120

Canada Only



16 & 18 Gauge 31-1/2" X 20-5/8" X 10"



33" Minimum Cabinet Size

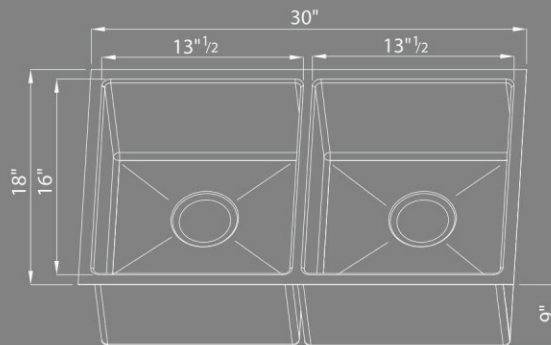
Optional

HD-100	BS-2000
CB100	1040
BG-TD3120	



MODEL SMC D3018

USA Only



16 & 18 Gauge 30" X 18" X 9"



33" Minimum Cabinet Size

Optional

HD-100	BS-2000
SMC 1040	
BG-D3018	

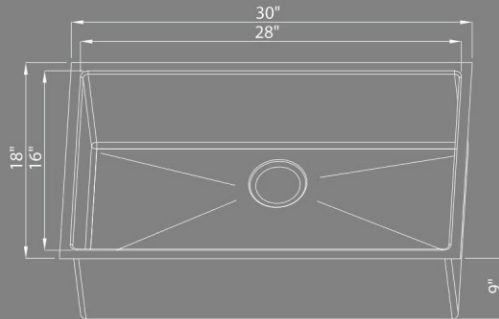


LIMITED LIFETIME WARRANTY

SMC
symbol of excellence

MODEL SMC S3018

USA Only



16 & 18 Gauge

30" X 18" X 9"



33" Minimum
Cabinet Size

Optional



HD-100 BS-2000



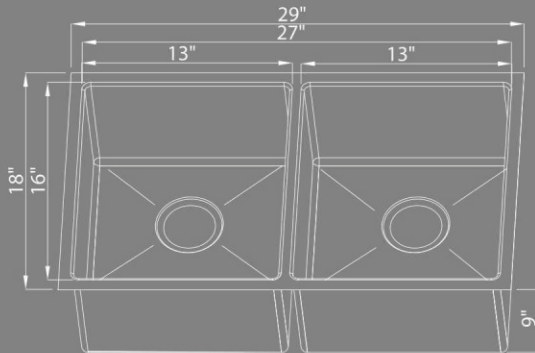
SMC 1040



BG-S3018



MODEL SMC D2918



16 & 18 Gauge

29" X 18" X 9"



33" Minimum
Cabinet Size

Optional



HD-100 BS-2000



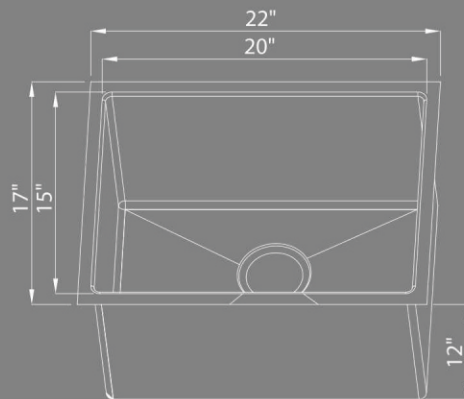
CB100 1040



BG-D2918



MODEL SMC S2903



16 & 18 Gauge

22" X 17" X 12"



24" Minimum
Cabinet Size

Optional



HD-100 BS-2000



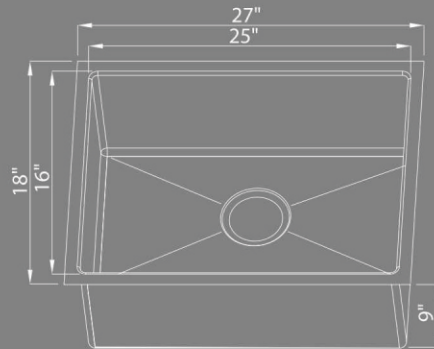
SMC 1040



BG-S2903



MODEL SMC S2718



16 & 18 Gauge 27" X 18" X 9"



30" Minimum Cabinet Size

Optional

HD-100 BS-2000

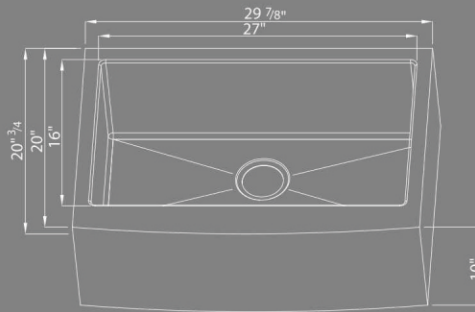
SMC 1040

BG-2718



MODEL SMC AS3021

USA Only



16 & 18 Gauge 29-7/8" X 20-3/4" X 10" (9" Apron)



Apron Installation

Optional

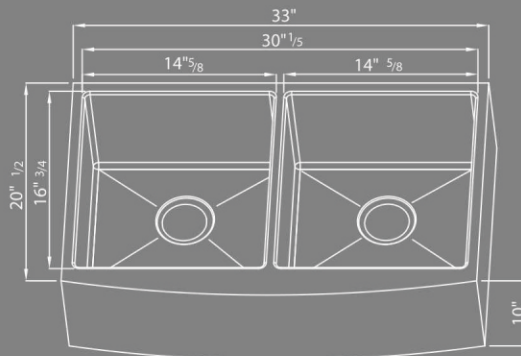
HD-100 BS-2000

SMC 1040

BG-S3021



MODEL SMC D4105



16 & 18 Gauge 33" X 20-1/2" X 10" (9" Apron)



Apron Installation

Optional

HD-100 BS-2000

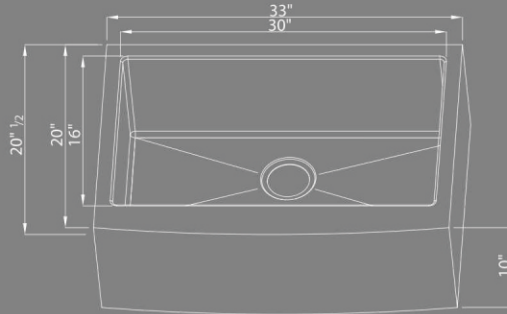
SMC 1040

BG-D4105



LIMITED LIFETIME WARRANTY

MODEL SMC S4105



16 & 18 Gauge 33" X 20-1/2" X 10" (9" Apron)

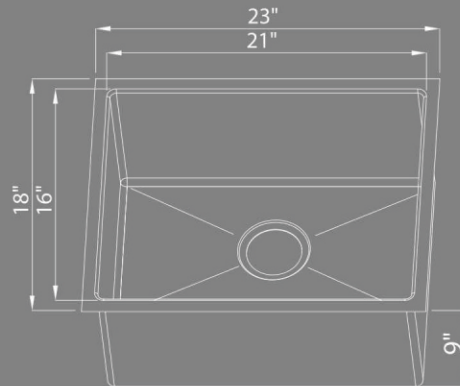


Apron Installation



MODEL SMC S2318

USA Only



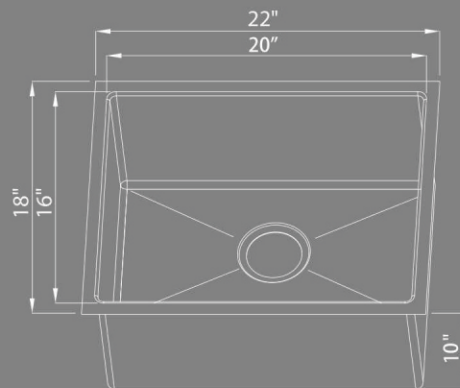
16 & 18 Gauge 23" X 18" X 9"



24" Minimum
Cabinet Size



MODEL SMC S2218



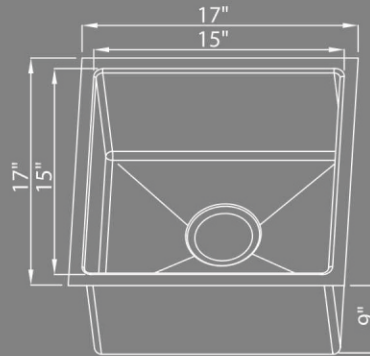
16 & 18 Gauge 22" X 18" X 10"



24" Minimum
Cabinet Size



MODEL **SMC S1717**




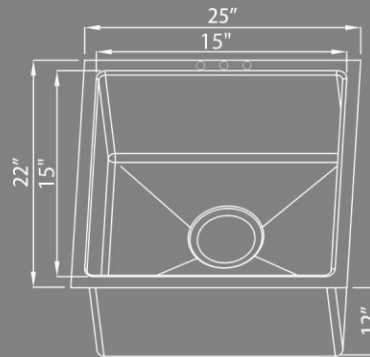
16 & 18 Gauge **17" X 17" X 9"**

 18" Minimum Cabinet Size



MODEL **SMC TL2522**

 Canada Only



16 & 18 Gauge **25" X 22" X 12"**

 26" Minimum Cabinet Size



GRANITE SERIES



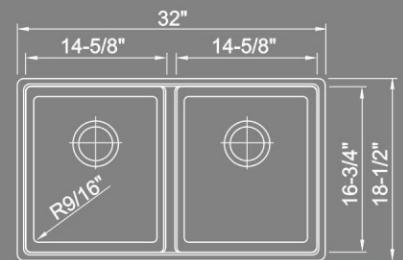
MODEL **SMC 902 B**



MODEL **SMC 902 W**



MODEL **SMC 902 C**



BATHROOM SERIES

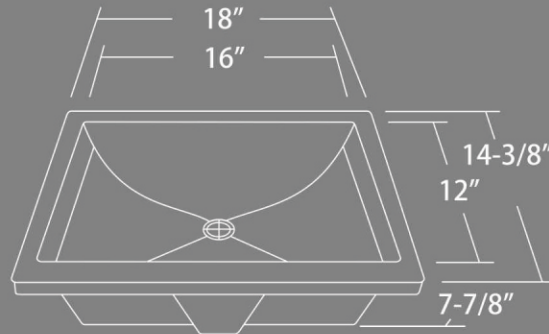
SMC
symbol of excellence



MODEL SMC 6026

MODEL SMC 1612

USA Only



SIZE 18" X 14-3/8" X 7-7/8"



21" Minimum Cabinet Size

Optional



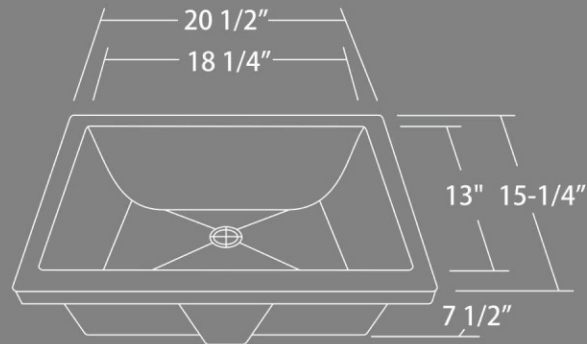
SMC 1024



SMC 1040



MODEL SMC 1813



SIZE 20-1/2" X 15-1/4" X 7-1/2"



24" Minimum Cabinet Size

Optional



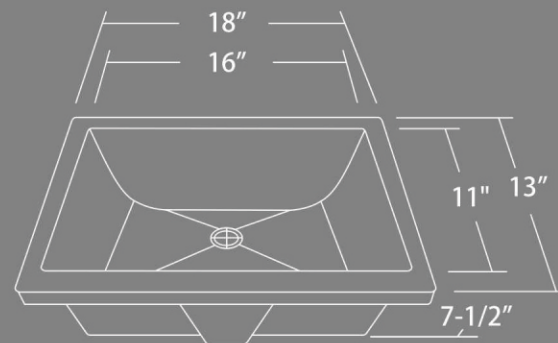
SMC 1024



SMC 1040



MODEL SMC 1611



SIZE 18" X 13" X 7-1/2"



21" Minimum Cabinet Size

Optional



SMC 1024

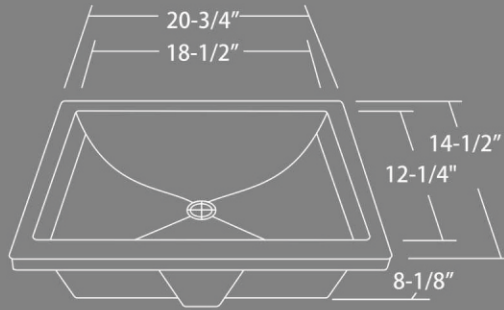


SMC 1040



LIMITED LIFETIME WARRANTY

MODEL SMC 1812



SIZE 20-3/4" X 14-1/2" X 8-1/8"



24" Minimum Cabinet Size

Optional



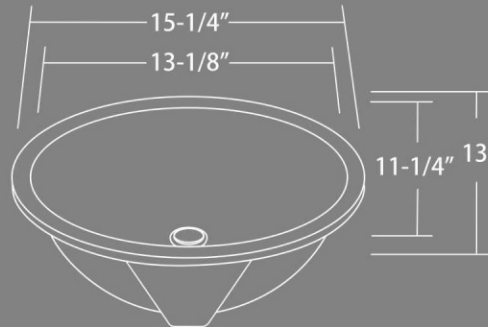
SMC 1024



SMC 1040



MODEL SMC 1310



SIZE 15-1/4" X 13" X 7-1/2"



18" Minimum Cabinet Size

Optional



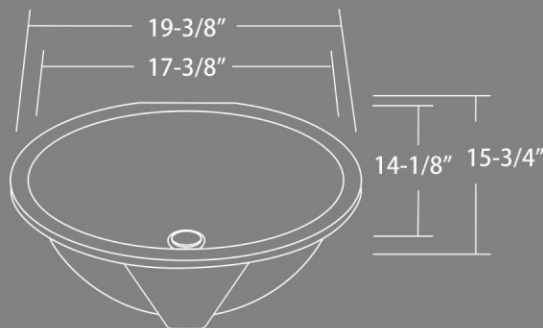
SMC 1024



SMC 1040



MODEL SMC 1714



SIZE 19" 3/8" X 15-3/4" X 8-1/8"



21" Minimum Cabinet Size

Optional



SMC 1024

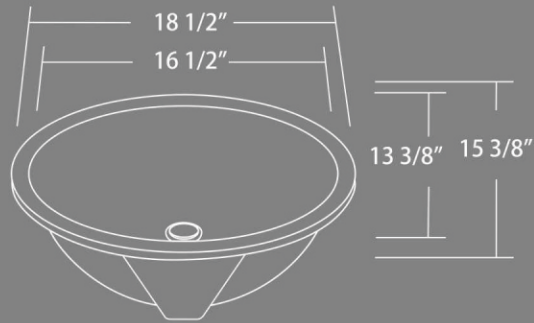


SMC 1040



MODEL SMC 1613

 USA Only



SIZE 18.3" X 15.2" X 7.5"



21" Minimum Cabinet Size

Optional



SMC 1024

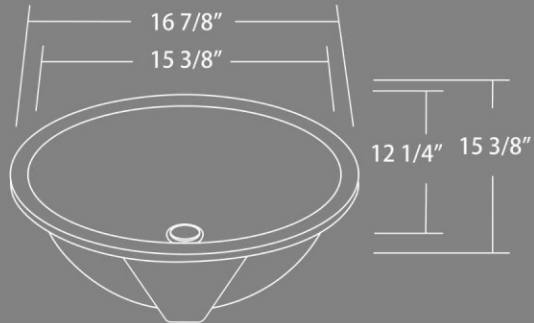


SMC 1040



MODEL SMC 1512

 USA Only



SIZE 17.1" X 14.4" X 7.5"



18" Minimum Cabinet Size

Optional



SMC 1024

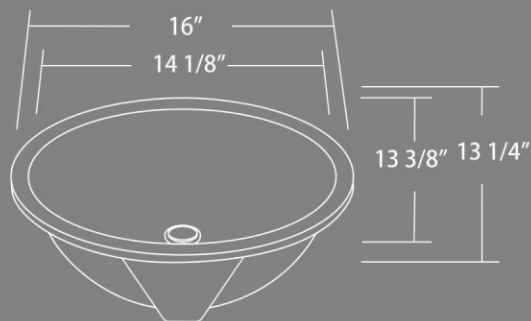


SMC 1040



MODEL SMC 1411

 USA Only



SIZE 16" X 13-1/4" X 7-5/8"



18" Minimum Cabinet Size

Optional



SMC 1024



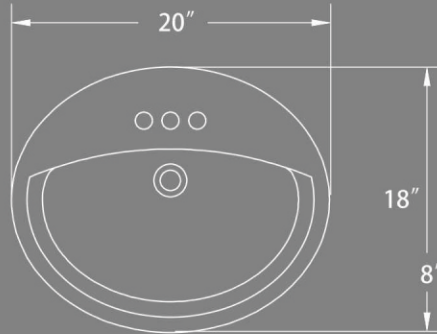
SMC 1040



LIMITED LIFETIME WARRANTY

SMC
symbol of excellence

MODEL SMC 1011



SIZE 20" x 18" - x 8"

Optional



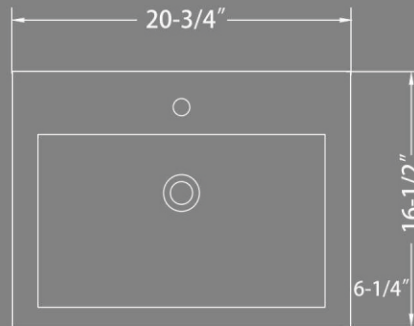
SMC 1024



SMC 1040



MODEL SMC 6026



SIZE 20-3/4" x 16-1/2" x 6-1/4"

Optional



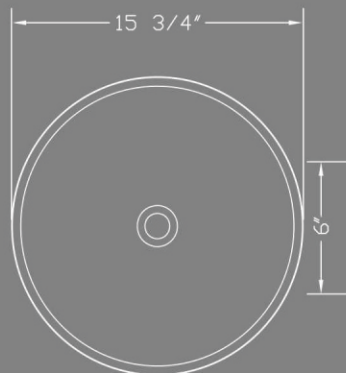
SMC 1024



SMC 1040



MODEL SMC 6050



SIZE 15-3/4" X 15-3/4" X 6"

Optional



SMC 1024



SMC 1040





MODEL **SMC 7003-BN**

LIMITED LIFETIME WARRANTY

KITCHEN FAUCETS



MODEL SMC 8900-BN



DESCRIPTION Pull-down kitchen Faucet

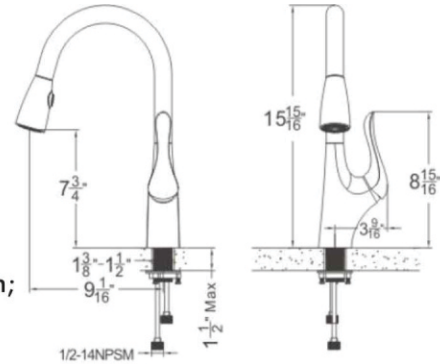
OVERALL HEIGHT 18.6 Inches;

SPOUT HEIGHT 7.8 Inches;

COLOR & FINISH Brushed Nickel (BN)

FEATURES 1 - Solid brass construction;

2 - Swivel spout;



MODEL SMC 8300-BN



DESCRIPTION Pull-down kitchen Faucet

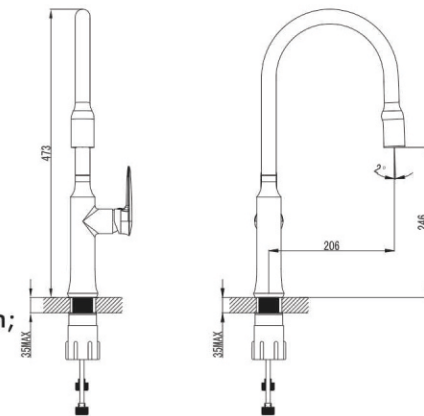
OVERALL HEIGHT 18.6 Inches;

SPOUT HEIGHT 9.7 Inches;

COLOR & FINISH Brushed Nickel (BN)

FEATURES 1 - Solid brass construction;

2 - Swivel spout;



MODEL SMC 7008-BN



DESCRIPTION Spring Kitchen Faucet

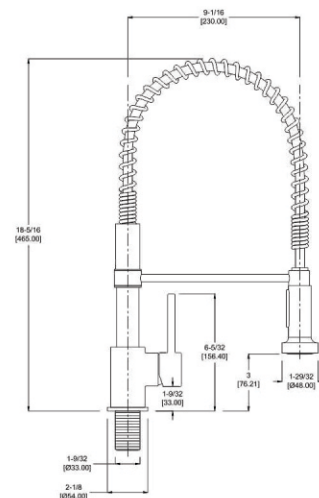
OVERALL HEIGHT 18.1 Inches;

SPOUT HEIGHT 4.5 Inches;

COLOR & FINISH Brushed Nickel (BN)

FEATURES 1 - Solid brass construction;

2 - Swivel spout;





MODEL SMC 8400-BN



DESCRIPTION Spring kitchen Faucet

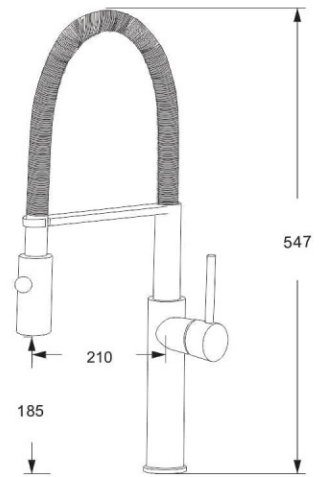
OVERALL HEIGHT 21.7 Inches;

SPOUT HEIGHT 9.3 Inches;

COLOR & FINISH Brushed Nickle (BN)

FEATURES 1- Stainless Steel construction;

2- Stainless steel shower head;



MODEL SMC 8200-BN



DESCRIPTION Pull-down kitchen Faucet

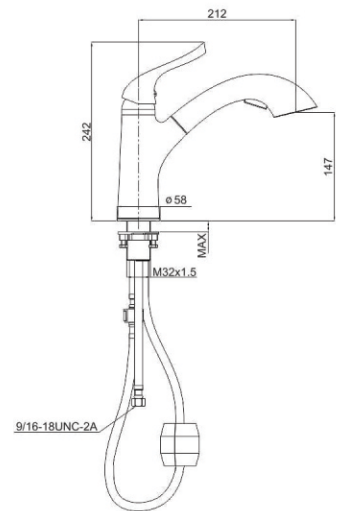
OVERALL HEIGHT 9.6 Inches;

SPOUT HEIGHT 5.9 Inches;

COLOR & FINISH Brushed Nickle (BN)

FEATURES 1- Solid brass construction;

2- Swivel Spout;



MODEL SMC 9900-BN



DESCRIPTION Pull-down kitchen Faucet

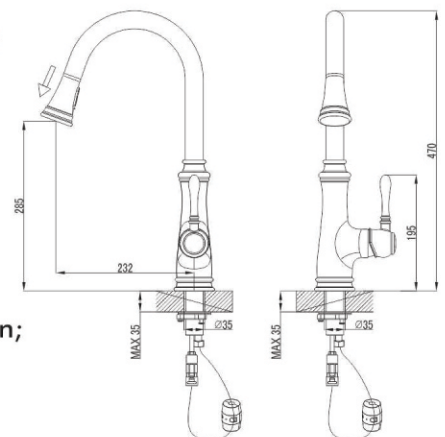
OVERALL HEIGHT 18.5 Inches;

SPOUT HEIGHT 11.2 Inches;

COLOR & FINISH Brushed Nickle (BN)

FEATURES 1- Solid brass construction;

2- Swivel Spout;



LIMITED LIFETIME WARRANTY



MODEL SMC 7003-BN



DESCRIPTION Pull-down kitchen Faucet

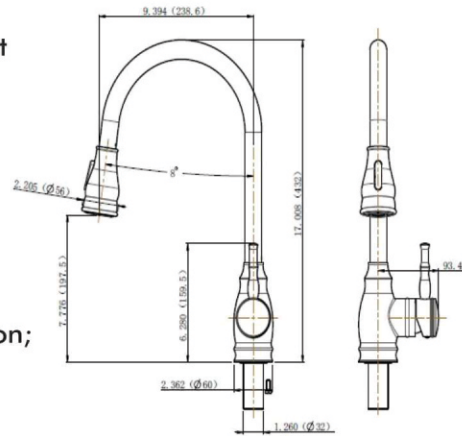
OVERALL HEIGHT 16.9 Inches;

SPOUT HEIGHT 8.5 Inches; 8.9 Inches

COLOR & FINISH Brushed Nickel (BN)

FEATURES 1- Solid brass construction;

2- Swivel spout;



MODEL SMC 7004-BN



DESCRIPTION Pull-down kitchen Faucet

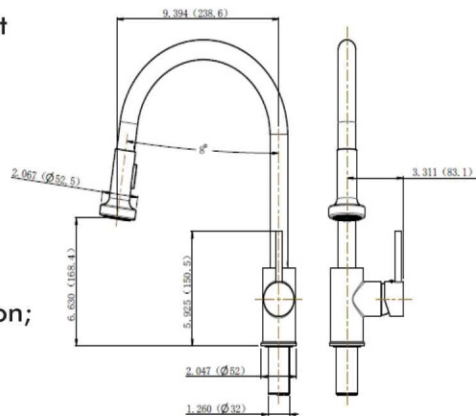
OVERALL HEIGHT 16 Inches;

SPOUT HEIGHT 8.5 Inches; 8.9 Inches

COLOR & FINISH Brushed Nickel (BN)

FEATURES 1- Solid brass construction;

2- Swivel Spout;



MODEL SMC SD01A-BN

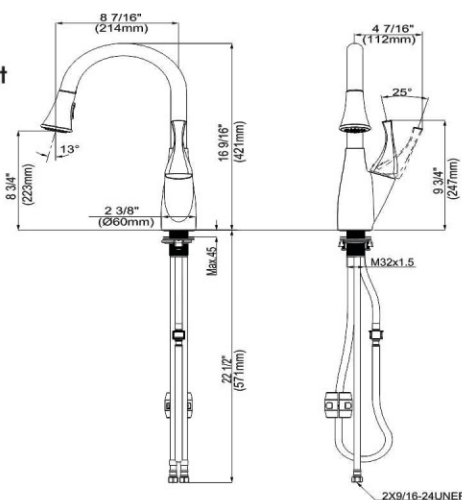


DESCRIPTION Pull-down kitchen Faucet

OVERALL HEIGHT 16.9 Inches;

SPOUT HEIGHT 8.1 Inches; 5.5 Inches

COLOR & FINISH Brushed Nickel (BN)



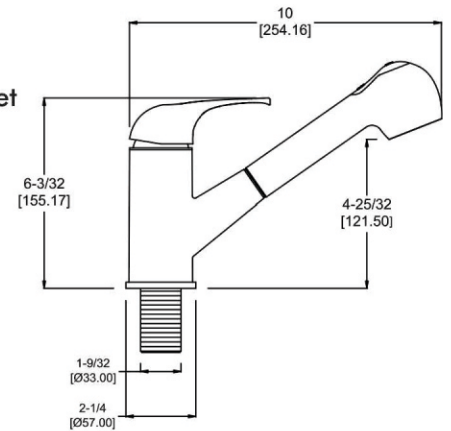


DESCRIPTION Pull-down kitchen Faucet

OVERALL HEIGHT 7 Inches;

SPOUT HEIGHT 3 Inch; 5.5 Inches;

COLOR & FINISH Brushed Nickle (BN)



MODEL SMC 7017



BATHROOM FAUCETS

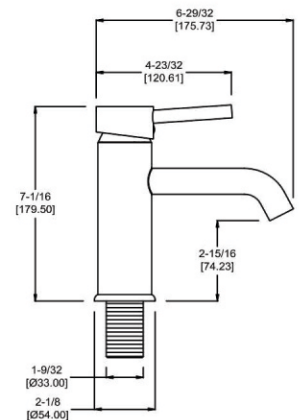


DESCRIPTION Lavatory Faucet

OVERALL HEIGHT 7 Inches;

SPOUT HEIGHT 3 Inch; 5.5 Inches;

COLOR & FINISH 1- Chrome;
2- Brushed Nickle (BN)



MODEL SMC 6001

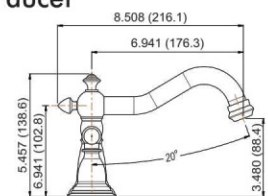


DESCRIPTION Two Handle Widespread Lavatory Faucet

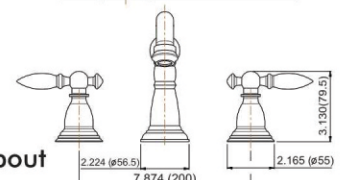
OVERALL HEIGHT 5.9 Inches;

SPOUT HEIGHT 2.9 Inches;

COLOR & FINISH 1- Brushed Nickle (BN)



FEATURES 1- Solid brass construction;
2- High-arch gooseneck wing spout



USA Only

MODEL SMC 7002



LIMITED LIFETIME WARRANTY



DESCRIPTION Lavatory Faucet

OVERALL HEIGHT 4 Inches;

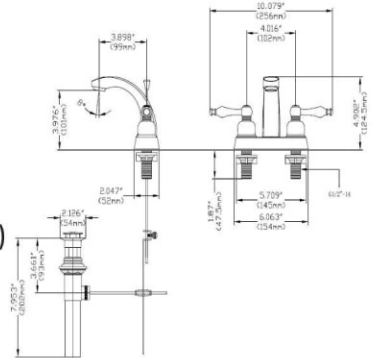
SPOUT HEIGHT 3.9 Inches; 3.9 Inches;

COLOR & FINISH 1 - Chrome; 2 Brushed Nickle (BN)

FEATURE 1 - Solid brass construction;

USA Only

MODEL SMC 3007



DESCRIPTION Two Handle Widespread Lavatory Faucet

OVERALL HEIGHT 6.4 Inches;

SPOUT HEIGHT 4.7 Inches;

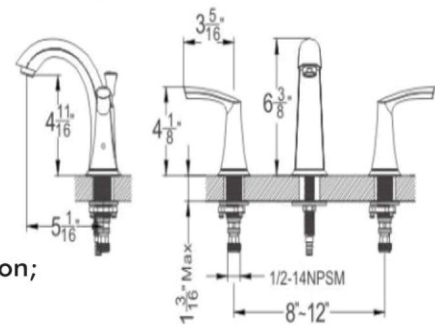
COLOR & FINISH Brushed Nickel (BN)

FEATURES 1 - Solid brass construction;

2 - Swivel spout;

USA Only

MODEL SMC 8800-BN



DESCRIPTION Lavatory Faucet

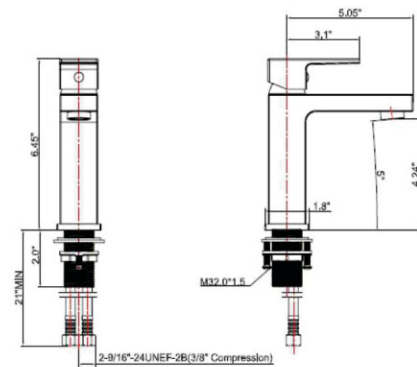
COLOR & FINISH Chrome

FEATURES 1 - Single hole Installation

2 - Solid brass waterway

Construction

MODEL SMC Q-01





MODEL SMC 8600-BN



DESCRIPTION Single Handle Lavatory Faucet

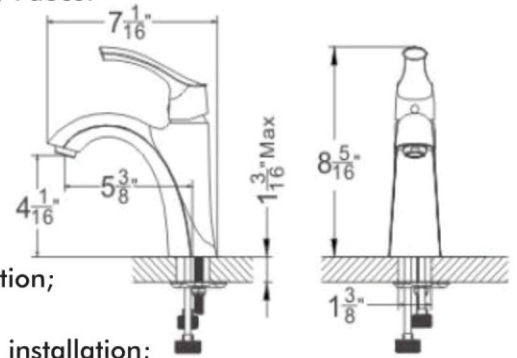
OVERALL HEIGHT 8.3 Inches;

SPOUT HEIGHT 4.2 Inches;

COLOR & FINISH Brushed Nickel (BN)

FEATURES 1- Solid brass construction;

2- Single or three hole installation;



MODEL SMC 8700-BN



DESCRIPTION Single Handle Lavatory Faucet

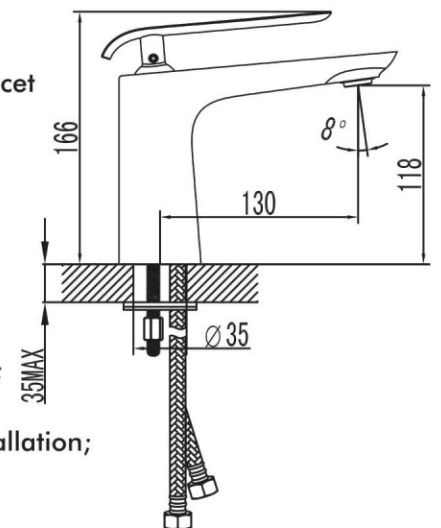
OVERALL HEIGHT 6.5 Inches;

SPOUT HEIGHT 4.6 Inches;

COLOR & FINISH Brushed Nickel (BN)

FEATURES 1- Solid brass Construction;

2- Single or three hole installation;



MODEL SMC 6002



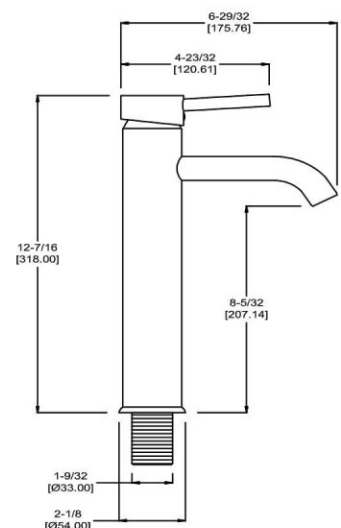
DESCRIPTION Lavatory Faucet

OVERALL HEIGHT 12.2 Inches

SPOUT HEIGHT 8.1 Inch; 5.5 Inches

COLOR & FINISH 1- Chrome;

2- Brushed Nickle (BN)



LIMITED LIFETIME WARRANTY



USA Only

MODEL SMC 8500-BN

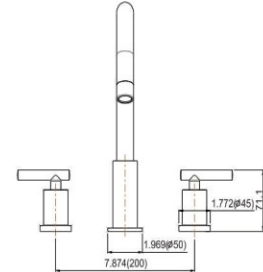
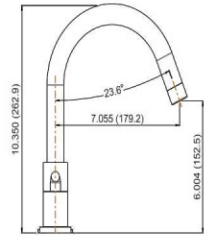
DESCRIPTION Two Handle Widespread Lavatory Faucet

OVERALL HEIGHT 10.35 Inches

SPOUT HEIGHT 6.0 Inches

COLOR & FINISH Chrome Polished (CP)

- FEATURES**
- 1 - Solid brass construction;
 - 2 - Three hole installation;



MODEL SMC 8004-C

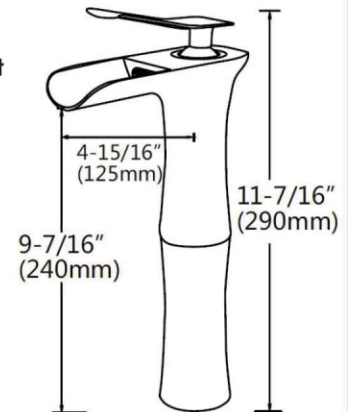
DESCRIPTION Single Hole Waterfall Vessel Faucet

SPOUT HEIGHT 6 1/8" Inches

SPOUT LENGTH 3 15/16" Inches

COLOR & FINISH Chrome Polished (CP)

- FEATURES**
- 1 - Solid brass construction;



MODEL SMC 8003-BN

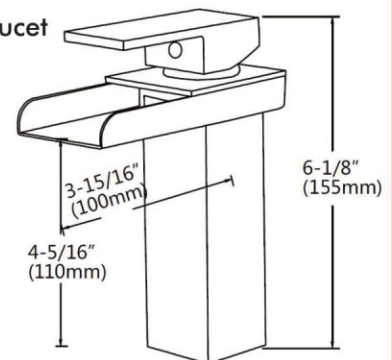
DESCRIPTION Single Hole Waterfall Vessel Faucet

SPOUT HEIGHT 11 7/16" Inches

SPOUT LENGTH 4 15/16" Inches

COLOR & FINISH Chrome Polished (CP)

- FEATURES**
- 1 - Solid brass construction;



Pop-up Drainer



SMC 1024

Soap Dispenser



SMC 1040

Colander



SMC CD2010

Drying Rack



SMC DR120

Faucet Plate



SMC 1030

Basket Strainer



SMC BS2000

Regular Strainer



SMC HD100

Wooden Cutting Board



SMC CB100



Product Care

We recommend use of mild liquid dish detergent and water to clean the product after use. Rinse carefully with water and dry. This will help you keep the original quality of your Stainless Steel Sink. Stainless Steel does not rust. Rust stains are a result of iron particles, from outside sources such as cookware, water; steel wood pads etc., that eventually develop into rust spots.

Please keep in mind:

1. Do not use scouring powder or steel wool to clean the surface.
2. Avoid use of Chlorine-based solutions
3. Acidic foods should be cleaned immediately.
4. Sharp objects can scratch the surface.
5. Do not let liquids dry on the surface.

A Guide to Use and Care of Stainless Steel Sinks

For First Time Users

Do not leave for prolonged periods any water running from a new faucet or new piping or new hose that may contain metal, chemical or mineral particles which will go rust and leave the rust stain on the surface of the sink. When a new faucet is installed, run the water for a couple of minutes until the waterway is clear, also clean the filter in the faucet spray, rinse and clean the sink completely, then wipe the sink until it is dry using a soft dry cloth.

The Do's

1. When it comes to maintenance, the best thing you can do is be consistent in your cleaning. It is preferable to clean a little on a frequent basis than a heavy duty cleaning once in a while.
2. You should make sure that the sink is always clean and dry when not in use. This is the best method of preventative maintenance. Keep the sink water spot free and shiny by rinsing and towel drying after every use.
3. Keep the sink clog free to prevent standing water which can lead to mineral deposit build up. If a mineral build up should occur, use a mixture of vinegar and hot water to remove the deposit.
4. To clean your sink, use a non-abrasive cleaning cloth combined with a mild cleaning procedure. For tougher stains use a mild abrasive cleaner.
5. Follow the direction of the grain when cleaning or scrubbing away stains, Scrubbing against the grain will show as a scratch.

The Don'ts

1. Do not leave soaps and other cleaners in your sink overnight. Do not use solutions with bleach. All of these contain chemicals that may damage your sink if left on the surface.
2. Do not use steel wool on your sink. If aggressive cleaning is needed, use a soft Cleaning pads and rub in the direction of the satin finish lines.
3. Do not leave bars of soap, wet sponges or cleaning pads on the faucet ledge. These items over time will become dull and possibly pit the surface of your sink.
4. Do not leave salt, vinegar, citric fruit juices, mustard or pickles on the sink; wipe them up immediately as they contain citric acids which over time can etch the surface
5. Do not leave any steel or cast iron cookware in the sink for a long period of time.



 **USA**

14805 Willard Road Suite E, VA 20151
Tel: 1-703-488-9981 Fax: 1-703-488-9982
Email: info@smcsinks.com
www.smcsinks.com

 **CANADA**

7040 Torbram Road Unit 11-12 Mississauga, ON L4T 3Z4
Tel: 905-564-1088 Fax: 905-564-9740
Email: info@smcgroup.ca
www.smcgroup.ca