



Multifunction 2 and 4 pole  
Welders/Generators  
with SCR technology  
for SMAW welding process



**FOUR  
IN ONE** ★★★★★ **4**  
AC GENERATOR  
DC WELDER  
JUMP STARTER  
BATTERY CHARGER

### 4 in 1 functions:

- ★ DC welder
- ★ AC generator with single & three-phase outputs
- ★ Battery charger with protection against polarities inversion
- ★ Jump Starter for rescue operations even in the most inaccessible areas

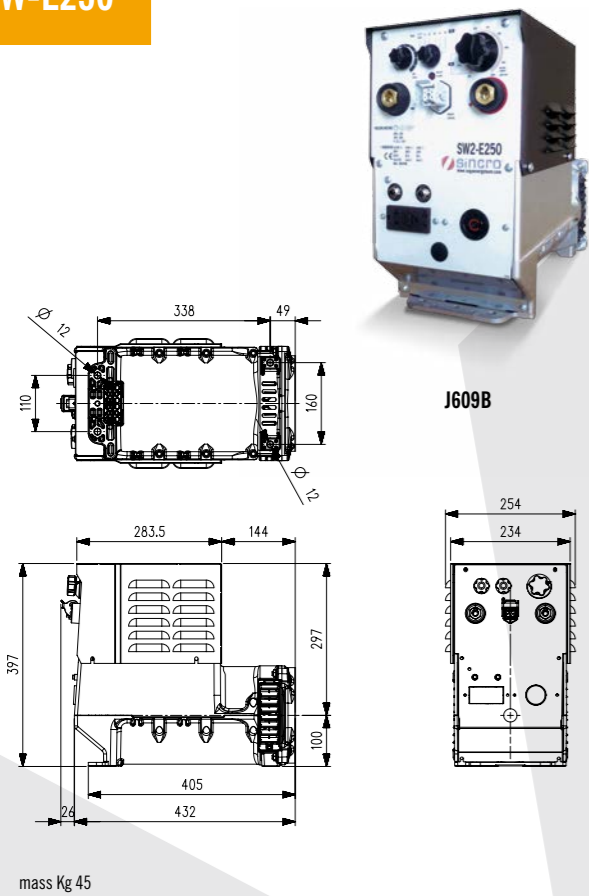
# Multifunction DC Welders + AC Generators for engine-driven welders on-site applications

models	ON SITE APPLICATIONS					ELECTRODES					ENGINE			
	FABRICATION <sup>1</sup>	GENERAL MAINTENANCE <sup>2</sup>	CONSTRUCTION <sup>3</sup>	PIPELINE <sup>4</sup> HYDRO & GAS <sup>5</sup>	HEAVY MAINTENANCE <sup>6</sup>	RUTILE	BASIC	CELLULOSIC	INOX	CAST-IRON	SPECIAL	POLES	RPM	HP suggested
★ SW-E250 TDC/2	•	•	•	•	•							2	3600	16
★ SW-F300 MDC/2	•	•	•	•	•							2	3600	20
★ SW-F300 TDC/2	•	•	•	•	•	•	•	•	•	•	•	2	3600	20
★ SW-I500 TDC/4	•	•	•	•	•							4	1800	40

<sup>(1)</sup> Mild assembly works. <sup>(2)</sup> Repairs that require amperages of moderate intensity. <sup>(3)</sup> Welding of carpentry structures on site. <sup>(4)</sup> Welding with high level of complexity on oil and gas pipelines. <sup>(5)</sup> Welding of pipes on civil and industrial distribution systems. <sup>(6)</sup> Repairs that require amperages of high intensity.

models	DC WELDER						AC GENERATOR											
	A min	A max	A 35%	A 60%	A JUMP STARTER max @ 13V	V BATTERY CHARGER	HOT START	ARC FORCE	ANTI STICK	REMOTE CONTROL	THERMAL PROTECTION	BRUSHLESS (exciter)	BRUSHES	KVA S1 3 PHASE	KVA S1 1 PHASE			
★ SW-E250 TDC/2	30	250	250	190	300		•	•	•	•	•	-	•	-	8,5	-	6	3
★ SW-F300 MDC/2	30	300	300	250	300	12/24/36/48	•	•	•	•	•	-	•	-	-	-	9	-
★ SW-F300 TDC/2	30	300	300	250	300		•	•	•	•	•	-	•	12	5	-	-	-
★ SW-I500 TDC/4	30	500	500	400	500		•	•	•	•	•	•	-	18	7,5	-	-	-

## SW-E250



dimensions are in mm

## SW-F300



IM B35 - cone 30, 38 mass Kg 81 (cone 30)

shaft	flange					
	d	a	l	p	holes	R
30	16	135	105	12	9	30°
38	5	150	125	4	12	90°

J609B

cone	shaft		
	d	a	b
25,4	25,4	63,5	48
35	30	39	72

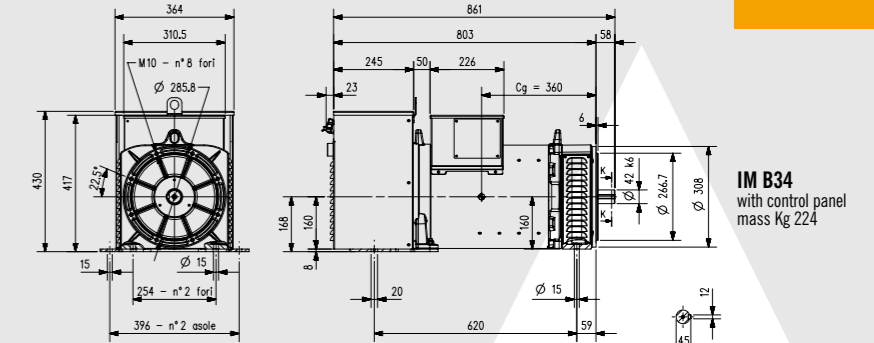
l	flange		
	p	holes	R
165	146,1	4	11
197	163,6	4	11
197	177,8	4	11

SAE

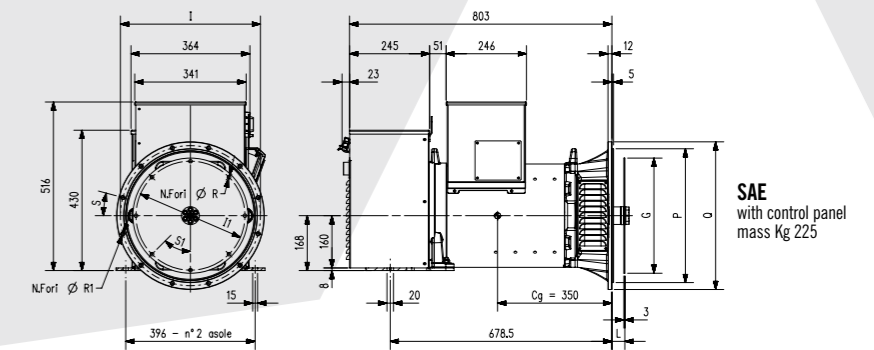
SAE	flange					
	Q	P	l	holes	R1	S
3	452	409,6	428,6	12	11	15°
4	405	362	381	12	11	15°
5	358	314,3	333,4	8	11	22°

SAE	disk joint					
	L	G	l1	holes	R	S1
6,5	30,2	215,9	200	6	9	60°
7,5	30,2	241,3	222,2	8	9	45°
8	62	263,5	244,5	6	11	60°
10	53,8	314,3	295,3	8	11	45°
11,5	39,5	352,4	333,4	8	11	45°

## SW-I500



IM B34 with control panel mass Kg 224



SAE with control panel mass Kg 225

disk joint	flange SAE		L	G	l1	holes	R	S1
	4	3						
6,5	•	•	30,2	215,9	200	6	9	60°
7,5	•	•	30,2	241,3	222,2	8	9	45°
8	•	•	62	263,5	244,5	6	11	60°
10	•	•	53,8	314,3	295,3	8	11	45°
11,5	•	•	39,6	352,4	333,4	8	11	45°

P	362	409,6
Q	405	452
l	381	428,6
R1	11	11
S	15°	15°
holes	12	12







**WARRANTY CONDITIONS**

Soga guarantees the own alternators for a period of 18 months starting from the invoice date or 12 months starting from the first start up, whichever occurs first. We confirm that warranty is directed only to Soga customers

to which we respond. Soga does not grant warranty to those who have not directly purchased the product from the factory, in spite of the possession of it. Within the above mentioned terms, Soga

commits itself to supply free of charge those spare parts that, according to its judgment or to the one of an authorized representative, appear with manufacturing or material defects or, always to its judgment, to directly

or through an authorized center carry out the repairing without undertaking transport costs. We anyhow exclude forms of responsibility or obligation for other costs, damages and direct or indirect loss caused by total or

partial usage or impossible usage of the products. The repairing or the substitution will not extend or renew the warranty duration. Warranty will not be granted: whenever break-downs or problems may appear

because of lack of experience, usage over the nominal performances, if the product had been modified or should return incomplete, disassembled or with modified nameplate data.

Soga si riserva il diritto di modificare i dati per aggiornare o migliorare i propri prodotti senza alcun preavviso. Soga reserves the right to change the data in order to update or improve its products without prior notice



**Sincro® is a brand of Soga S.p.A.**  
Via Della Tecnica, 15 • 36075 Montecchio Maggiore (VI) • ITALY

**Operating office**  
Via Tezze, 3 • 36073 Cereda di Cornedo Vicentino (VI) • ITALY  
Ph. +39 0445 450500 • Fax +39 0445 446222 • sales.sincro@sogaenergyteam.com

sogaenergyteam.com/sincro



SW SCR WELDERS 10.2017