



# SOLAR

## PHOTOVOLTAIC BATTERIES

### 8G24-DEKA

- Designed to provide reliable, long lasting back-up power for Photovoltaic (PV) and renewable energy applications where frequent deep cycles are required and minimum maintenance is desirable
- Reinforced case resists bulging and meets safety requirements
- Genuine Gel Technology
- Case & cover heat sealed and 100% tested to prevent leaks
- Computer-aided design and manufacturing control processes and standards to ensure quality products
- Applications: Water Pumping, Residential / Small Village, Cathodic Protection, Remote Monitoring, Lighting, Wind Generation, & Railway Signal.



### SPECIFICATIONS

- Nominal Voltage:** 12-Volt  
**Rating:** 73.6 Ampere-Hours @ 20 hr rate to 1.75 VPC  
**Positive Plate:** Pure Lead, Calcium Alloy  
**Negative Plate:** Pure Lead, Calcium Alloy  
**Container:** Polypropylene  
**Safety Vent:** Low positive pressure, self-sealing

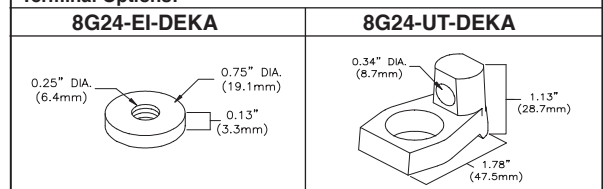
### PHOTOVOLTAIC CHARGING PARAMETERS

Charge Type	Max. Current (AMPS)	Voltage Range
Bulk Charge	30% of 20HR Rate	
Absorption (Regulation) Charge	Constant Voltage	2.35 – 2.40 V.P.C.
Float Charge	Constant Voltage	2.24 – 2.26 V.P.C.
Equalize Charge	Constant Voltage	2.40 – 2.43 V.P.C.
Temperature Coefficient	0.003 V / °C	

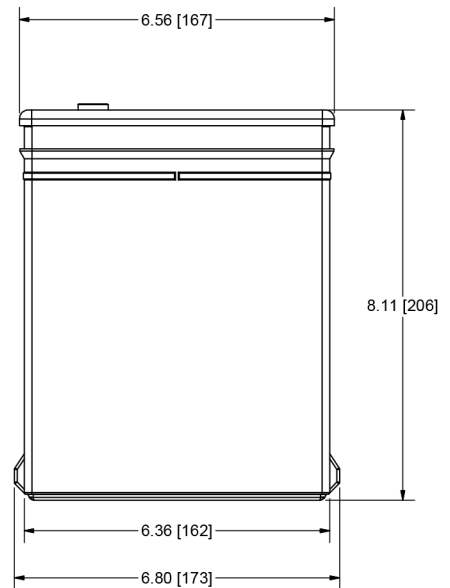
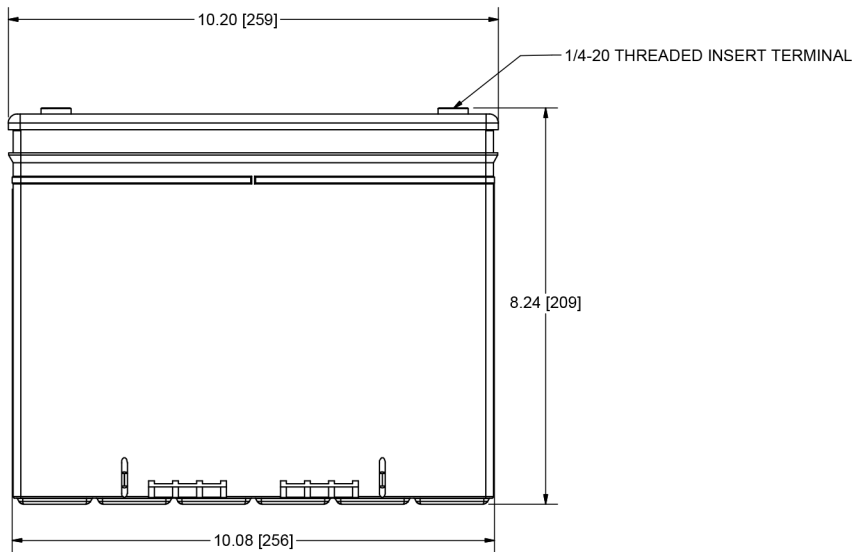
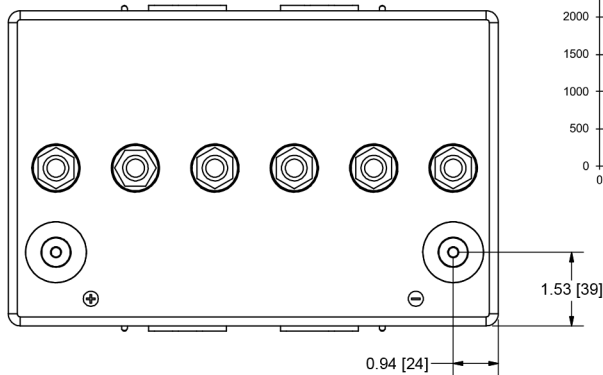
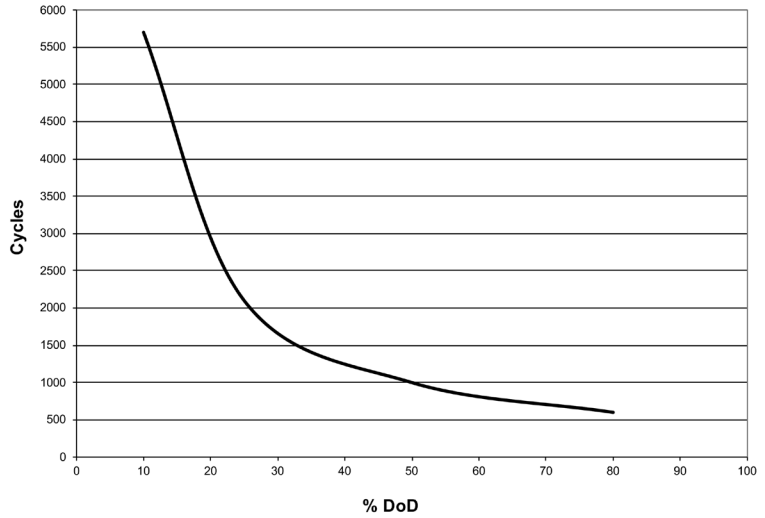
BATTERY PART NUMBER	PERFORMANCE (AH) <sup>1</sup> TO 1.75 VPC		SHORT CIRCUIT CURRENT	TERMINAL TORQUE MAX. IN/LB (NM)	APPROXIMATE WEIGHT		BATTERY DIMENSIONS					
	20 HR	100 HR			LB	KG	LENGTH		WIDTH		HEIGHT <sup>2</sup>	
							IN	MM	IN	MM	IN	MM
<b>12-VOLT SOLAR FLOODED MONOBLOC</b>												
8G24-EI-DEKA	73.6	84.5	2023	60 (6.8)	51.5	23.0	10.20	259	6.80	173	8.24	209
8G24-UT-DEKA				50 (5.7)			10.20	259	6.56	167	9.27	235

1 – Ratings after 15 Cycles  
 2 – Height to top of terminal

### Terminal Options:



**GEL CYCLE LIFE VS. DEPTH OF DISCHARGE AT 25°C (77°F) BASED ON BCI-2HOUR CAPACITY**



**PROPOSITION 65 WARNING:** Battery posts, terminals and related accessories contain lead and lead compounds, chemicals known to the State of California to cause cancer and reproductive harm. Batteries also contain other chemicals known to the State of California to cause cancer. **WASH HANDS AFTER HANDLING.**



QUALITY SYSTEM  
CERTIFIED  
**ISO 9001**  
**IATF 16949**  
ENVIRONMENTAL  
SYSTEM CERTIFIED  
**ISO 14001**



**East Penn Manufacturing Co. Subsidiary**

1-800-372-9253. [www.mkbattery.com](http://www.mkbattery.com)

e-mail: [sales@mkbattery.com](mailto:sales@mkbattery.com)