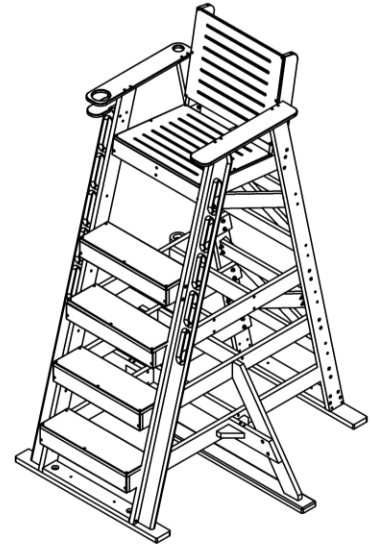
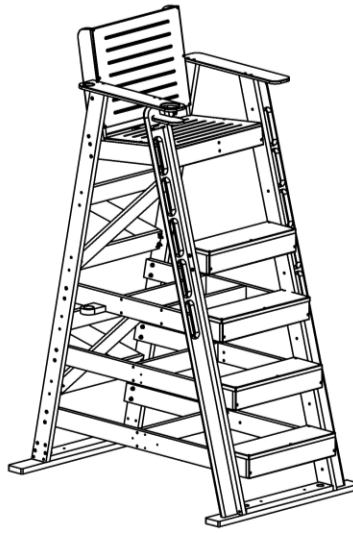
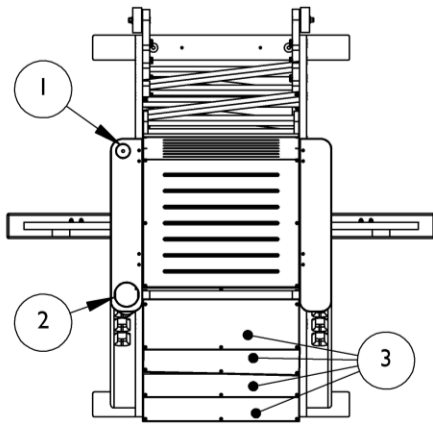




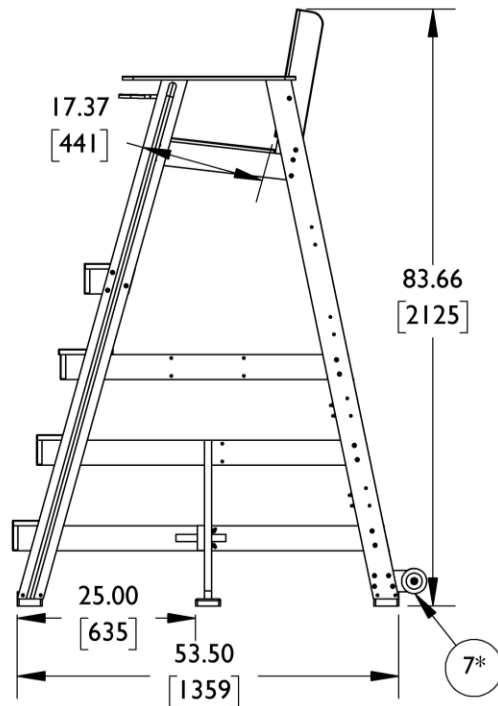
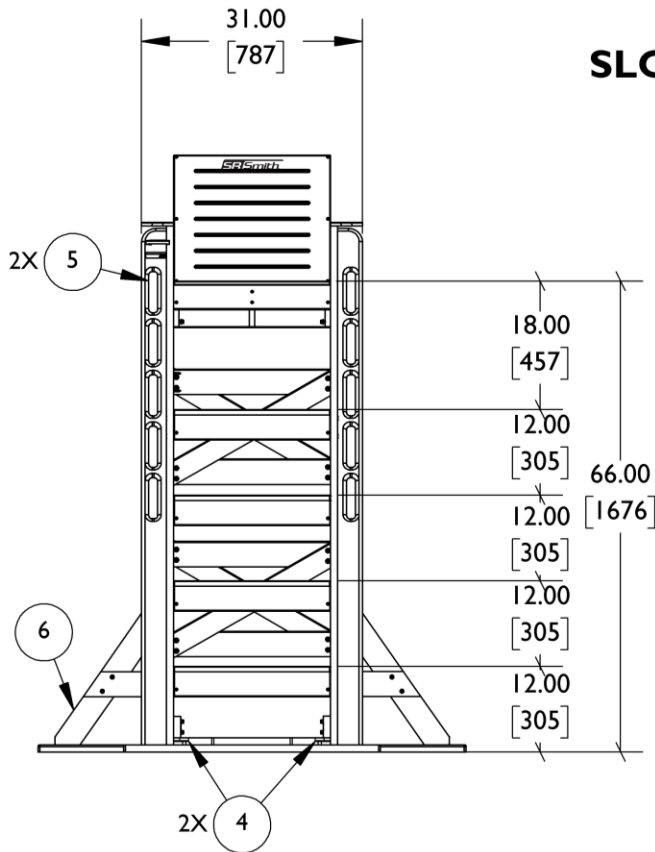
**Product Part Number(s):**  
 SLGC-66 and SLGC-66-S  
**Product Description:**  
 66" Sentry Lifeguard Chair

**DRAWN SPECIFICATIONS**



**SLGC-66**

**SLGC-66-S**





**Product Part Number(s):**

SLGC-66 and SLGC-66-S

**Product Description:**

66" Sentry Lifeguard Chair

## WRITTEN SPECIFICATIONS

### General Notes:

The **66" Sentry Lifeguard Chair** is made of marine-grade high-density polyethylene fastened with 316 stainless steel hardware. The chair ships in two boxes and requires assembly. When assembled, it measures 54.16" x 60" x 83.9" (LxWxH). Its width at the front or back is 36". The 66" Sentry Lifeguard Chair features four holes for anchor mounting (2 front, 2 rear), as well as an umbrella holder with locking rosette style thumb screw and a 3.3" cup holder.

### Application:

The 66" Sentry Lifeguard Chair is suitable for pools, beaches, waterparks, or other locations where lifeguards are required. When anchored, the 66" Sentry Lifeguard Chair is suitable for use in high wind areas.

### Specifications:

1. Umbrella Holder:

The Umbrella Holder accepts a shaft up to 1.75" in diameter and features a 1.5" rosette thumb screw with 1/4-20 thread to hold the umbrella in place.

2. Cup Holder:

The cup holder accepts items up to a diameter of 3.25" and has a depth of 3.75".

3. Treads:

Treads feature a diamond texture for increased grip. Treads are 22" wide, 7.133" deep, and 0.75" thick. Tread surface is High Traction (ANSI B101.1).

4. Anchor Bases:

Bases are 1" thick high-density polyethylene. Holes are included for fastening to deck with concrete (or other style) anchors. The anchor bracket holes measure 7/16" (0.4375") in diameter. SLGC-66 and SLGC-66-S include four 3/8" diameter 316L wedge anchors.

5. Handholds

Chair frame features five handholds on each side for ascending the 66" Sentry Lifeguard Chair. Each handhold is 6" tall x 1" diameter with rounded edges. Each slot has 1.25" hand clearance.

6. Center Support

SLGC-66-S includes additional structural support at the chair's center to prevent tipping risk.

7. Wheel-Away Kit\* (13-503)

Lifeguard chair is compatible with the Sentry Wheel-Away Kit. **Sold separately.**



**Product Part Number(s):**

SLGC-66 and SLGC-66-S

**Product Description:**

66" Sentry Lifeguard Chair

**Product Numbers and Shipping Weight:**

Model Number	Description	Shipping Weight		Shipping Dimensions
SLGC-66	66" Sentry Lifeguard Chair	Box 1	95 lbs.	53 1/4" x 18-9/16" x 4 1/4"
		Box2	70 lbs.	77 3/4" x 14-1/2" x 3"
SLGC-66-S	66" Sentry Lifeguard Chair with Center Support	Box 1	110 lbs.	53 1/4" x 18 9/16" x 4 1/4"
		Box 2	70 lbs.	77 3/4" x 14-1/16" x 3"
Accessory	Description	Shipping Weight		Shipping Dimensions
I3-503	Sentry Wheel-Away Kit	1.75 lbs		8" x 8" x 4"

Specification Number:	<b>SRS-115</b>		<p>S.R. Smith, LLC  P.O. Box 400, 1017 SW Berg Parkway  Canby, Oregon 97013  Tel: (888) 677-7776 (503) 266-2231  Fax: (503) 266-4334  www.srsmith.com</p>
Product Description:	66" Sentry Lifeguard Chair		
S.R. Smith Part Number:	SLGC-66, SLGC-66-S		
Revision:	A0	Date: 9/23/2020	
Written By:	C. Redelfs	Date: 9/23/2020	
Approved By:		Date:	
<p><b>Proprietary and confidential: The information contained in this specification is the sole property of S.R. Smith LLC. Any reproduction in part or whole without the written consent of S.R. Smith LLC is prohibited.</b></p>			