

**SR**Smith.



# POOL ACCESS

OFFICIAL  
POOL  
EQUIPMENT  
SUPPLIER



# Pool Access

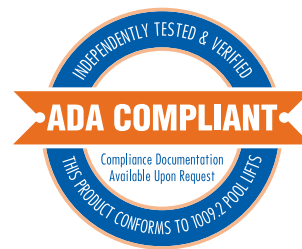
The water provides therapeutic benefits that enhance quality of life outside the pool. We believe these benefits should be available to everyone, and offer a full line of third-party tested and verified ADA compliant pool lifts to help ensure everyone can get in and out of the pool safely.

## PRODUCTS FOR EVERY POOL

S.R.Smith® accessibility products range from the Mobile Aquatic Chair (MAC) to a wide range of fixed pool lifts – both anchored and portable. Our pool lifts come in a variety of styles including Hi/Lo models for facilities with in-ground pools and raised spas, as well as Extended Reach models for pools with parapet or wide gutter configurations.

## THE STANDARD ON ALL ADA COMPLIANT MODELS

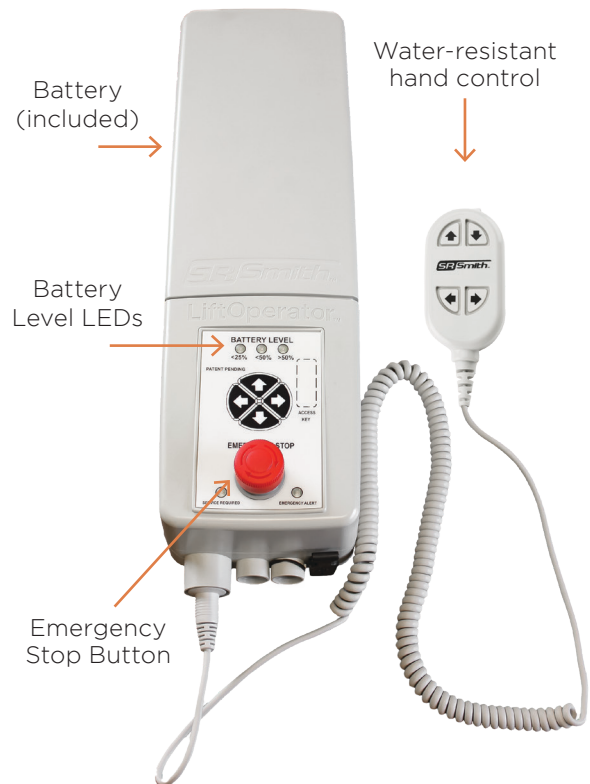
- 5 Year Structural Limited Warranty
- Fully rotomolded seat with integrated armrests
- LiftOperator® Intelligent Control
- Water-resistant user hand control
- 24 volt rechargeable battery, charger & cover
- Seat belt & footrest



## LIFTOperator® INTELLIGENT CONTROL

A standard feature with all S.R.Smith pool lifts, the LiftOperator is the most technologically advanced pool lift control on the market.

- Emergency button stops the lift mid-cycle
- Audible safety alert can signal facility personnel
- Internal memory stores usage data that can be uploaded for analysis
- PAL2, aXs2 and Splash! Series feature four-directional controls
- MultiLift2 features two-directional controls



# Pool Access

## CONTENTS

Overview .....	2	Covers & Accessories .....	16
Pool Lifts .....	4	Motor Assembly .....	18
Mobile Aquatic Chairs .....	14	Lift Setback Chart.....	19
LiftOperator® .....	15		

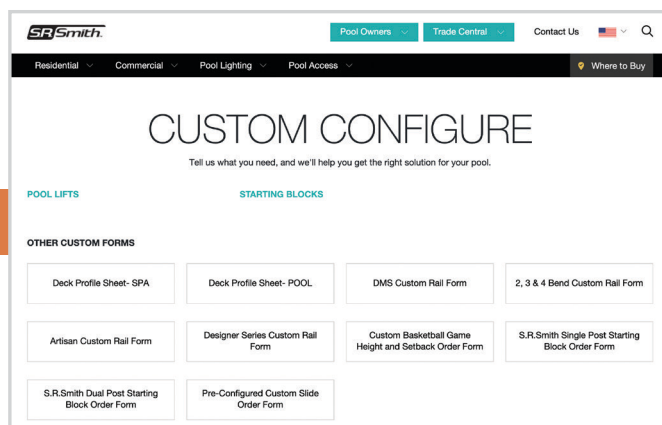


## SELECTING THE RIGHT LIFT

It is important to take several accurate pool or spa measurements and the required setback on a standard pool deck to help with pool lift selection (see page 19). Recording these precise measurements in S.R.Smith®'s online Pool Lift Configurator prior to placing your order is encouraged. This deck profile will help ensure the lift selected will function properly, and is ADA compliant.

Use the Pool Lift setback information (page 19) in conjunction with a Pool or Spa Deck Profile Configurator at

[SRSmith.com/Configurators](https://www.srsmith.com/Configurators)





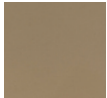
# multiLift™ 2

The multiLift2 with its field reversible seating design brings increased performance and flexibility to our best selling flange mount series.

- Field reversible seat with integrated armrests
- Rotomolded seat and footrest
- Powder-coated stainless-steel and aluminum construction
- 350 lb/159kg lifting capacity
- Retrofit anchor jig is standard
- LiftOperator® Intelligent Controller
- California CEC Compliant
- Third-party tested and verified ADA compliant



## COLORS



TAUPE



SLATE



GRAY MIST

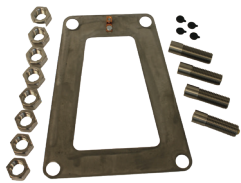
Due to printing technology actual color may differ.

Part No.	Description	Shipping
580-0000N	multiLift2 w/o anchor, Gray Mist	Box 1 100 lbs 60.5" L x 24.25" W x 18.5" H
580-0000N-ST	multiLift2 w/o anchor, Slate	Box 2
580-0000N-TP	multiLift2 w/o anchor, Taupe	40 lbs 24" x 24" x 30"

Includes battery, charger, battery console cover, water-resistant hand control, footrest, seat belt assembly, armrests and retrofit anchor jig.

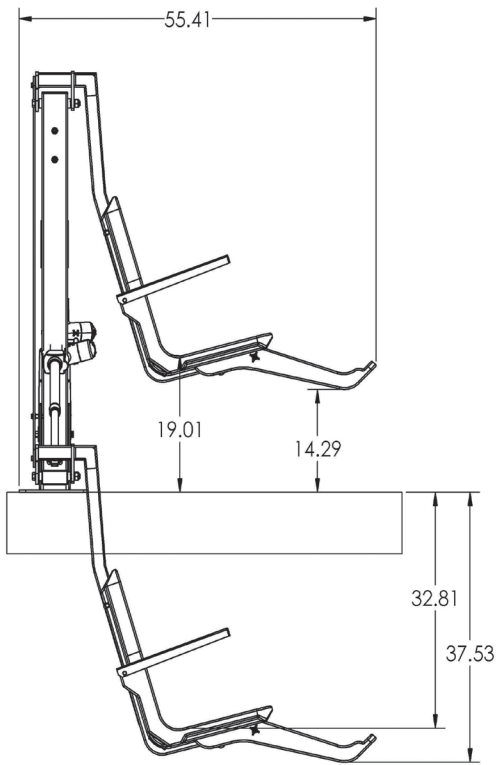
## Parts & Accessories

Part No.	Description
1001495-R	LiftOperator Battery
100-4400-R	Hand Control
300-6700A	Anchors, set of 4
300-6800A	Anchor Bolts, set of 4
300-6900	Retrofit Anchor Jig
500-5800T	MultiLift2 Cover, Taupe
500-5800S	MultiLift2 Cover, Slate
900-1000-R	Seat Belt
970-5000T	Seat Saver Cover, Taupe
900-6000	Stability Strap
910-1000T	LiftOperator Cover, Taupe
910-1000S	LiftOperator Cover, Slate

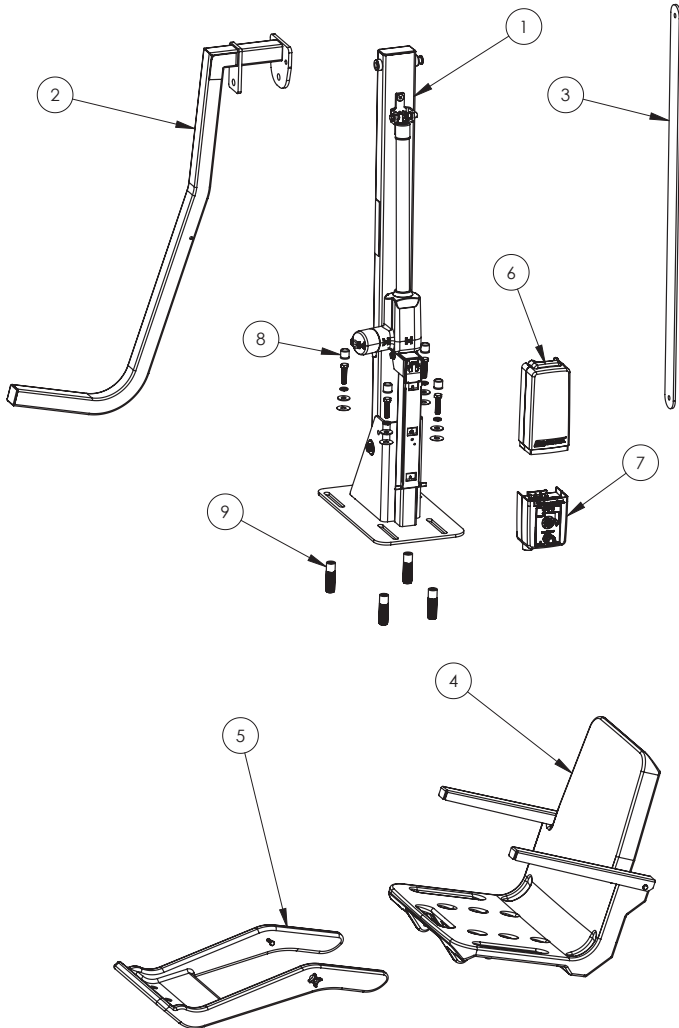
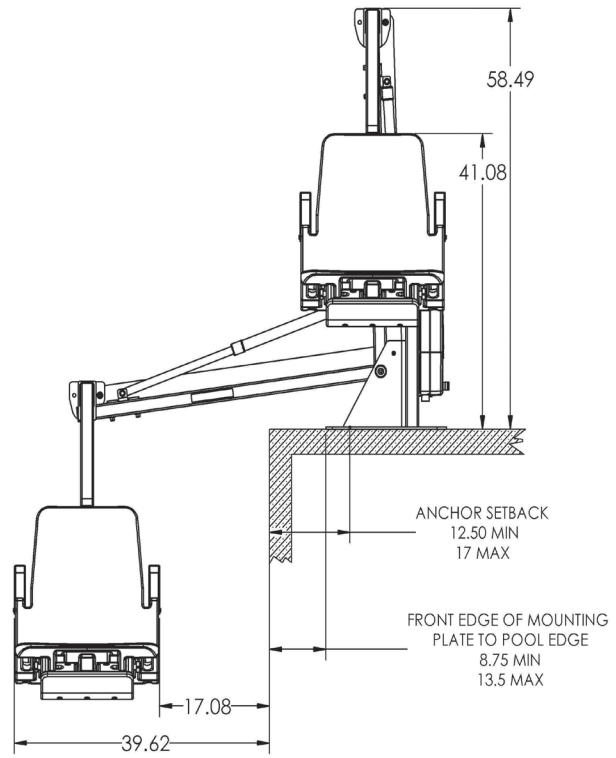


New Construction Jig with Anchors 500-5000A

Anchor Scenario	Part Number	Description
Existing ML Anchors in Deck	300-6800A (Included with Lift)	multiLift2 Deck Anchor Hardware
Retrofit onto Existing Deck	300-6900	multiLift2 Anchor Kit for Existing Decks
New Construction	300-5000A	multiLift2 Anchor Kit for New Construction



20.75 MAX



Key	Part No.	Description
1		multiLift2 Base Assembly
2		multiLift2 Seat Arm
3		multiLift2 Leveling Arm
	160-9300-R	Seat Assembly
4	160-9300-TP-R	Seat Assembly, Taupe
	160-9300-ST-R	Seat Assembly, Slate
	160-2700A-R	Footrest w/ Hardware
5	160-2700A-TP-R	Footrest w/ Hardware, Taupe
	160-2700A-ST-R	Footrest w/ Hardware, Slate
6	1001495-R	Battery Assembly
7	400-7001	Controller Unit w/ 2 Button
8	300-6700A	Flush Deck Anchor
9	300-6700	Deck Anchor Hardware
	100-8000A	LA34 Actuator



# aXs2 Pool Lift

The aXs2 is a low profile pool lift that is an ideal access solution for community and hospitality swimming pools.

- Third-party tested and verified ADA compliant
- Compact design requires minimal deck space
- 300 lb/136kg lifting capacity
- 360° rotation for transfer safety and flexibility
- Integrated armrests
- Sturdy and generous rotomolded seat
- LiftOperator® Intelligent Controller with 24V battery
- Full range of operation from handset and control box
- Conveniently ships in two boxes



## LIFT COLOR



TAUPE SLATE GRAY MIST

Due to printing technology actual color may differ.

## CADDY

aXs2 Caddy only available with pool lift purchase and ships in Box 3



## LIFTLOCK2

Locking anchor secures lift to deck



## aXs2

Part No.	Description	Shipping   Class 85   2 Boxes			
		Weight	Length	Width	Height
310-0000N	aXs2 without anchor, Gray Mist				
310-0000N-ST	aXs2 without anchor, Slate	102 lbs 46kg	55" 140cm	19" 48cm	14" 36cm
310-0000N-TP	aXs2 without anchor, Taupe	36 lbs 16kg	24" 61cm	24" 61cm	27" 61cm
310-0000R*	aXs2 Round Post without anchor, Gray Mist	50 lbs 23kg	30" 76cm	20" 51cm	57" 145cm
310-0000R-ST*	aXs2 Round Post without anchor, Slate				
310-0000R-TP*	aXs2 Round Post without anchor, Taupe				

## aXs2 with Caddy

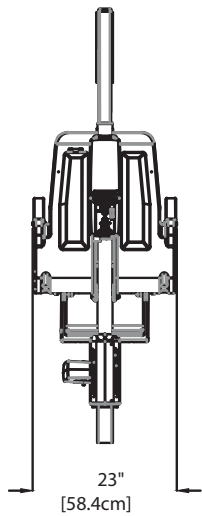
Part No.	Description	Shipping   Class 85   3 Boxes			
		Weight	Length	Width	Height
310-0000CN	aXs2 with Caddy, without anchor, Gray Mist	102 lbs 46kg	55" 140cm	19" 48cm	14" 36cm
310-0000CN-ST	aXs2 with Caddy without anchor, Slate	36 lbs 16kg	24" 61cm	24" 61cm	27" 61cm
310-0000CN-TP	aXs2 with Caddy without anchor, Taupe	50 lbs 23kg	30" 76cm	20" 51cm	57" 145cm

Includes battery, charger, battery console cover, water-resistant hand control, footrest, armrests and seat belt assembly

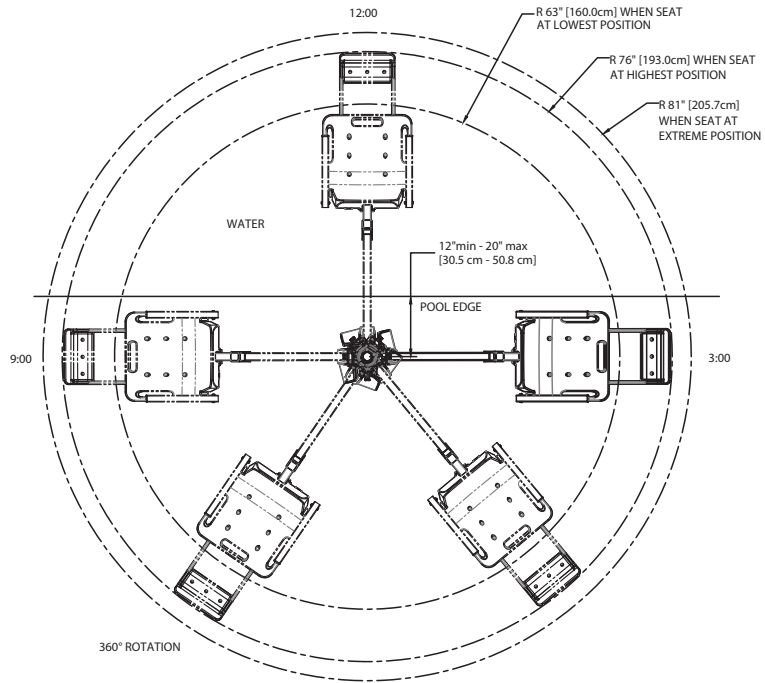
\*Designed to fit in an existing round anchor with dimensions 2.38" ID x 6" deep

## Parts & Accessories

Part No.	Description
1001495-R	LiftOperator Battery
900-6000	Stability Strap
900-1000	Seat Belt
970-5000T	Seat Saver Cover, Taupe
300-6600C	LiftLock2 Anchor Replacement Cap
170-3000A	Armrest Replacement (pair)
AX9006	aXs2 Total Cover, Taupe
100-4300-R	Hand Control
300-6600L PN	Replacement Cap

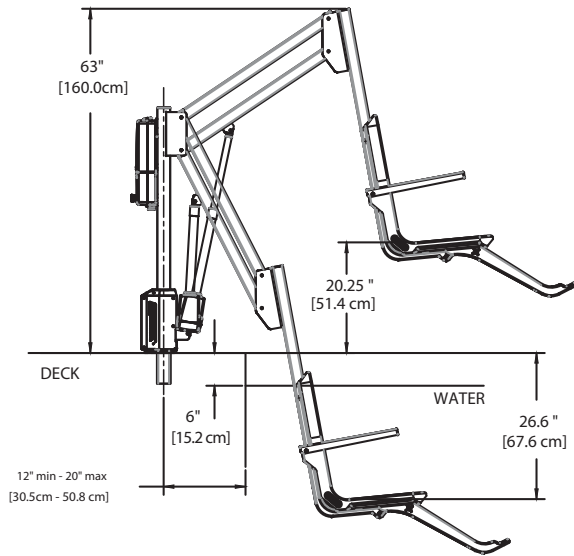


BACK VIEW

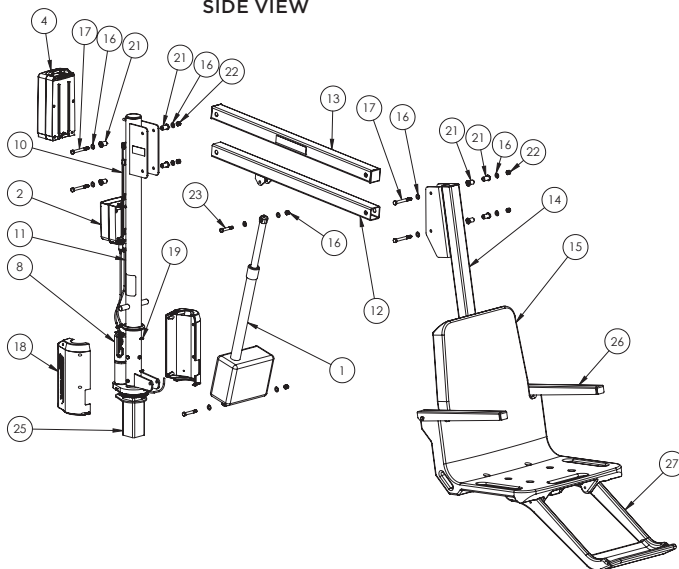


TOP VIEW—RANGE OF MOTION

Key	Part No.	Description
1	100-5000A	LA34 Actuator
2	400-7000AX	4 Button Controller
3		Actuator Cable Assembly (not shown)
4	1001495-R	Battery Pack
5	1001530-R	Battery Charger (not shown)
6	100-4300-R	Hand Control (not shown)
7		Hand Control Hanger (on back of seat)
8	120-2100A-R	24VDC Motor
9		Motor Cable Assembly (not shown)
10	1001498-R	Battery Bracket
11		Mast Assembly
12		Actuator Arm Assembly
13		Support Arm Assembly
14		Seat Frame Arm
15	160-9200-R	Seat Assembly, 1 PC (does not include footrest)
	160-9200	aXs2 Seat Assembly, Taupe
	160-9200	aXs2 Seat Assembly, Slate
16	800-0313	Washer, Flat 3/8"
17	800-2027	Screw, Hex Head - 3/8"-16 x 3.25 L
18	800-3000A	aXs2 Motor Enclosure Assembly
19	800-0330	Screw, Self-Threading #4-20 x 1/2" L
20	900-1000	aXs Seat Belt Assembly (Black) (not shown)
21	800-0318	Bushing, Oilite
22	800-2000	3/8"-16 Nyloc Nut
23	800-0147	Screw, 3/8"-16 x 2.5" L
24	AX3700-1	Spindle Housing Assembly
25	170-3000A	Armrest Assembly (Pair)
26	160-2300A	Footrest Kit, Gray Mist
27	160-2310A	Footrest Kit, Taupe
	160-2321A	Footrest Kit, Slate
28	800-0304	Screw, Hex Head - 5/16"-18 x 4.0" L
29	800-0310	Washer, Flat - 5/16"
30	800-0202	Acorn Nut, 5/16"
N/S	910-1000T	Console Cover, Slate
N/S	910-1000S	Console Cover, Taupe



SIDE VIEW





# PAL2

The fixed portable PAL2 pool lift features a sleek, modern design and attractive matte finish. It comes standard with our Secure-It Kit which allows the lift to be fixed to the deck.

- Third-party tested and verified ADA compliant
- Integrated armrests
- State of California compliant
- 300 lb/136kg lifting capacity
- Easy to move by one person
- LiftOperator® Intelligent Controller
- 240° rotation helps ensure safe transfer
- Powder-coated stainless-steel and aluminum construction



## LIFT COLOR



GRAY MIST

Due to printing technology actual color may differ.

## PAL2 VARIATION

- Hi/Lo - A variation of the PAL2 useful for facilities that have both in-ground pools and raised spas.

## SECURE-IT KIT



- 200-1090A

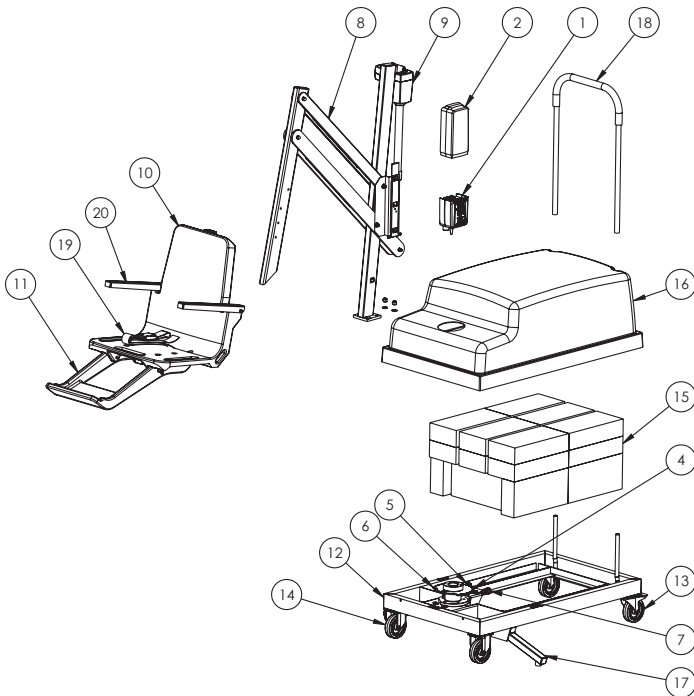
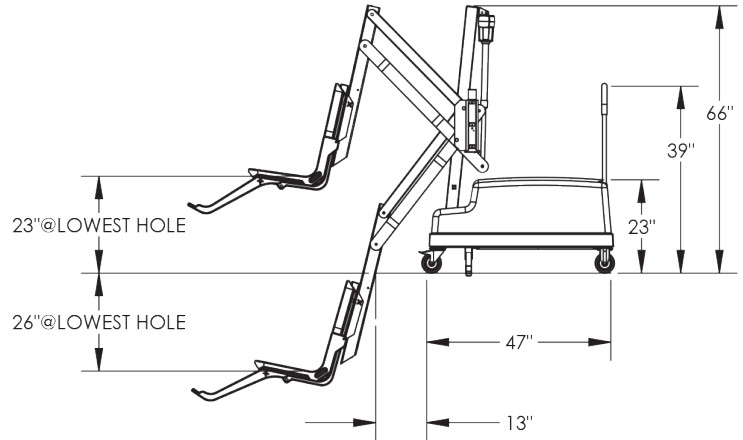
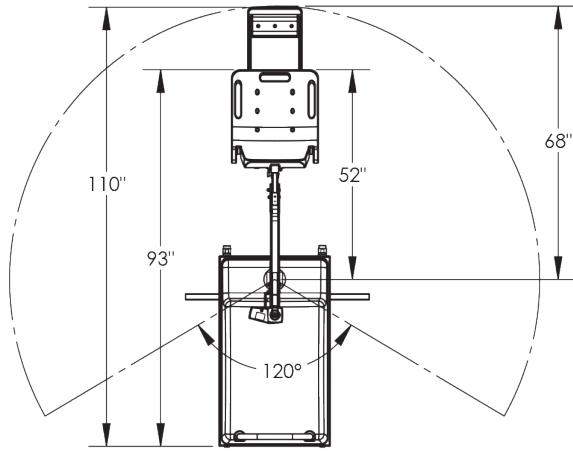
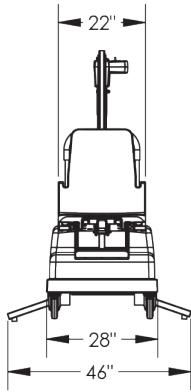
Part No.	Description	Shipping   Class 85			
		Weight	Length	Width	Height
202-0000	PAL2	1,200 lbs	40"	48"	60"
252-0000	PAL2 Hi/Lo	544 kg	102cm	122cm	152cm

Includes battery, charger, battery console cover, water-resistant hand control, footrest, seat belt assembly, armrests, and Secure-It Kit

## Parts & Accessories

Part No.	Description
1001495-R	LiftOperator Battery
900-6000	Stability Strap
920-5000T	Cover
500-1000	Spine board Attachmen
200-1090A	PAL2 Secure-It Kit (standard)
900-1000-R	Seat Belt
100-4300-R	Hand Control





Key	Part No.	Description
1	400-7000	4 Button Control
2	1001495-R	Battery Pack
3	1001530-R	Battery Charger (Not Shown)
4	120-1100-R	24V Motor
5	800-5065-R	Small Gear
6	130-1000-R	Hub Assembly
7	120-1000-R	Motor Mount Assembly
8		Gray, Mast Assembly
9	100-5000A	LA34 Actuator
10	160-8000A-R	Gray, Seat Assembly
11	160-2700A-R	Gray, Footrest w/Hardware
12		PAL2 Main Frame Assembly
13		Rigid Caster
14		Swivel Caster
15	220-3100	Concrete Block, PAL2
16	202-6000-R	PAL2 Housing Assembly
17	200-4100-R	Stabilizer Assembly
18	202-7000-R	Gray, PAL2 Handle
19	900-1000-R	Seat Belt Assembly
20		Gray, Armrest (Pair)
21	910-1000T	Console Cover (not shown)



# Splash!® Series

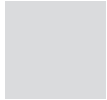
This fixed lifting system is designed for swimming facilities seeking to provide user-friendly access to their swimming pools.

- Third-party tested and verified ADA compliant
- Integrated armrests
- State of California compliant
- 400 lb/181.5 kg lifting capacity\*
- LiftOperator® Intelligent Controller
- 344° rotation helps ensure a safe transfer area
- Powder-coated stainless steel and aluminum construction



\* Lifting capacity of Extended Reach models are 300 lb/136 kg

## LIFT COLOR



GRAY MIST

Due to printing technology actual color may differ.

## SPLASH! VARIATIONS

- **Hi/Lo** – Useful for facilities that have both in-ground pools and raised spas
- **Spa** – Designed for raised spas
- **Extended Reach** – For use on pools with unusual gutter configurations requiring a longer reach
- **ER Hi/Lo** – For facilities that have both in-ground pools and raised spas, requiring a longer reach than the Splash Hi/Lo

## LIFTLOCK2

Locking anchor secures lift to deck



Part No.	Description	Shipping   Class 85			
		Weight	Length	Width	Height
300-0000N	Splash! without anchor				
350-0000N	Splash! Hi/Lo without anchor				
375-0000N	Splash! Spa without anchor	280 lbs	40"	48"	60"
300-3000N	Splash! 300' without anchor	127kg	102cm	122cm	152cm
350-3000N	Splash! 300 Hi/Lo' without anchor				
375-3000N	Splash! 300 Spa' without anchor				
370-0000N	Splash! Extended Reach** without anchor	335 lbs 152kg	40" 102cm	48" 122cm	78" 198cm
385-0000N	Splash! ER Hi/Lo** without anchor	305 lbs 138kg	40" 102cm	48" 122cm	88" 224cm
395-0000N	Splash! Spa/ER without anchor	335 lbs 152kg	40" 102cm	48" 122cm	78" 198cm
390-0000N	Splash! Package without anchor includes mast cover and caddy	275 lbs 125kg	40" 102cm	48" 122cm	78" 198cm
390-2000N	Splash! ER Package without anchor includes mast cover and caddy	390 lbs 177kg	40" 102cm	48" 122cm	78" 198cm

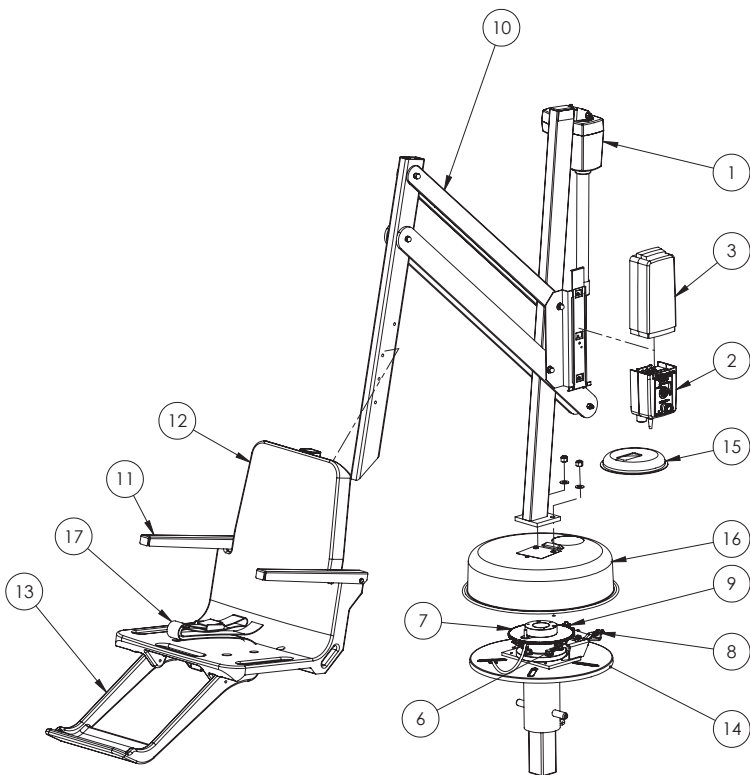
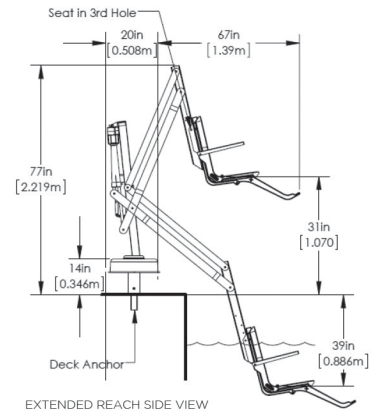
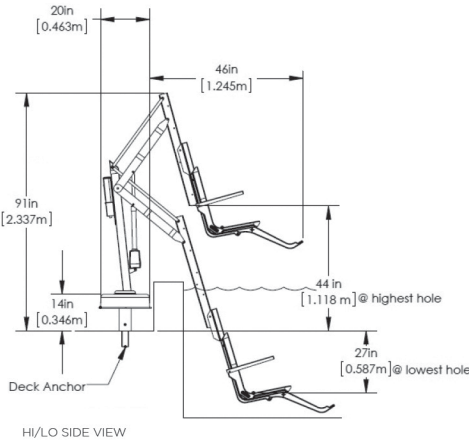
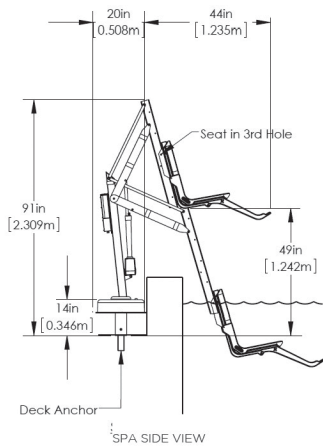
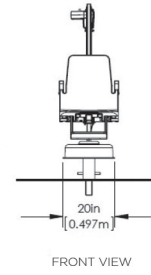
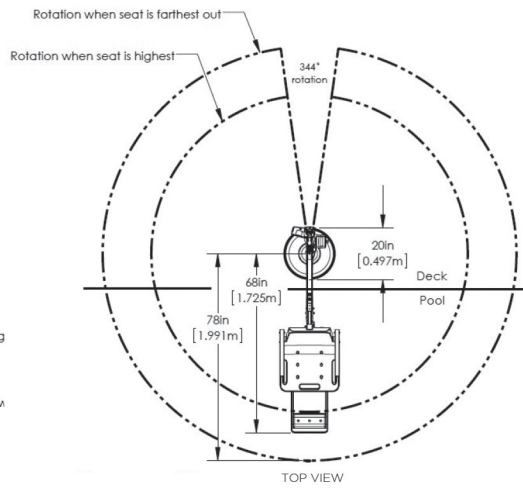
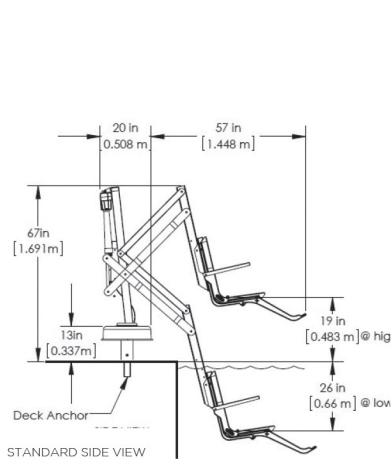
Includes battery, charger, battery console cover, water-resistant hand control cover, footrest, seat belt assembly and armrests.

\* Splash! 300 offers easier core drilling installation and no additional footings required on a standard 4" reinforced deck

\*\* Lifting capacity of Extended Reach models are 300 lb/136 kg

## Parts & Accessories

Part No.	Description
1001495-R	LiftOperator Battery
400-0000	Caddy
500-1000	Spineboard Attachment
900-6000	Stability Strap
920-5000T	Cover, Taupe
970-5000T	Seat Saver Cover, Taupe
900-1000	Seat Belt
170-3000A	Armrest Replacement (pair)
100-4300-R	Hand Control



Key	Part No.	Description
1	100-5000A	LA34 Actuator
2	400-7000	4 Button Control Unit
3	1001495-R	Battery Pack
4	1001530-R	Battery Charger (not shown)
5	100-4300-R	Hand Control (not shown)
6	120-1100-R	24V Motor
7	135-1000-R	Hub Assembly
8	120-1000-R	Motor Assembly
9	800-5065-R	Small Gear
10		Mast Assembly
11		Seat Arm
12	160-8000A-R	Seat Assembly
13	160-2300A-R	Footrest
14		Splash! Base Assembly
15	300-5200A-R	Mast Collar
16	300-5000A-KT	Splash! Housing Kit
16	300-5000A-5KT	Splash! HI/LO Housing Kit
17	900-1000-R	Seat Belt
18	910-1000T	Console Cover (not shown)



# Splash!® Round Post

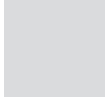
This fixed anchored lifting system can be installed in an existing round anchor\*.

- Third-party tested and verified ADA compliant
- Integrated armrests
- State of California compliant
- 300 lb/159kg lifting capacity
- Easily removable from stainless-steel deck anchor
- Secure-It Kit™ keeps the lift from rotating in the anchor socket
- LiftOperator® Intelligent Controller
- True operational redundancy – lift can be operated from the control box and the handset
- 344° rotation ensures a safe transfer area
- Made from powder-coated stainless-steel and aluminum
- Adapters available



\*See below for additional anchor sizes

## LIFT COLOR



GRAY MIST

Due to printing technology actual color may differ.

## SECURE-IT KIT



Part No.	Description	Shipping   Class 85			
		Weight	Length	Width	Height
300-0000R	Splash! ER Hi/Lo	280 lbs 127kg	48" 122cm	40" 102cm	60" 152cm
390-0000R	Splash! Round Post Package*	390 lbs 177kg	48" 122cm	40" 102cm	78" 198cm

Includes battery, charger, battery console cover, water-resistant hand control, footrest, seat belt assembly, armrests and Secure-it-Kit.

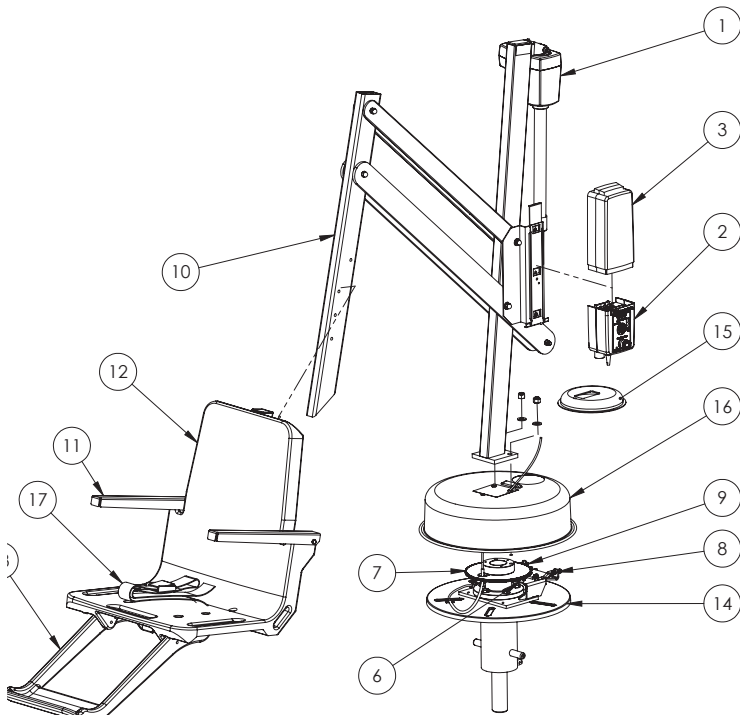
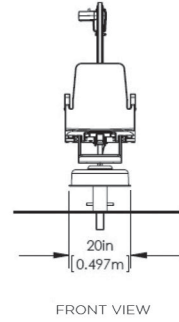
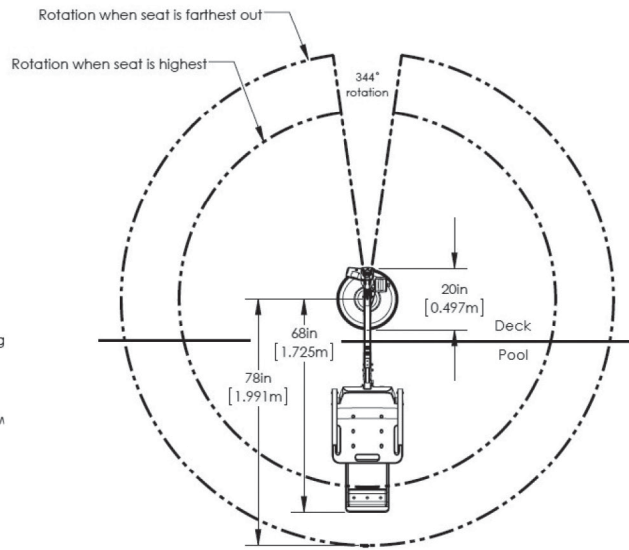
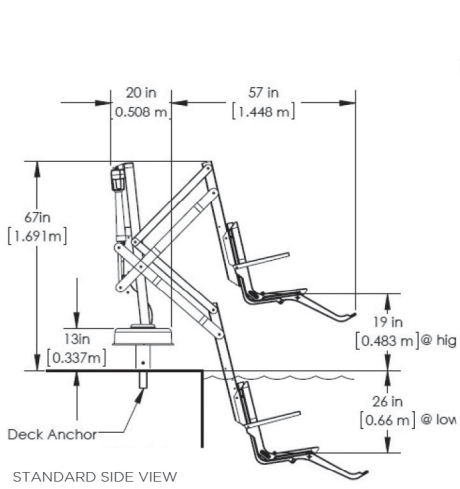
\* Package includes mast cover and caddy

## Parts & Accessories

Part No.	Description
1001495-R	LiftOperator Battery
400-0000	Caddy
500-1000	Spineboard Attachment
900-6000	Stability Strap
920-5000T	Cover, Taupe
970-5000T	Seat Saver Cover, Taupe
900-1000-R	Seat Belt
100-4300-R	Hand Control

## Splash! Round Post Anchor Adapter

Model No	Anchor Size
300-6210	2 3/8"
300-6220	2 1/2"
300-6230	2 9/16"



Key	Part No.	Description
1	100-5000A	LA34 Actuator
2	400-7000	4 Button Control Unit
3	1001495-R	Battery Pack
4	1001530-R	Battery Charger (not shown)
5	100-4300-R	Hand Control (not shown)
6	120-1100-R	24V Motor
7	135-1000-R	Hub Assembly
8	120-1000-R	Motor Assembly
9	800-5065-R	Small Gear
10		Mast Assembly
11		Seat Arm
12	160-8000A-R	Seat Assembly
13	160-2300A-R	Footrest
14		Splash! Base Assembly
15	300-5200A-R	Mast Collar
16	300-5000A-KT	Splash! Housing Kit
17	900-1000-R	Seat Belt
18	910-1000T	Console Cover (not shown)

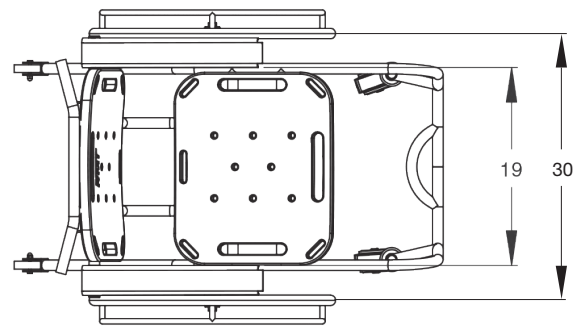
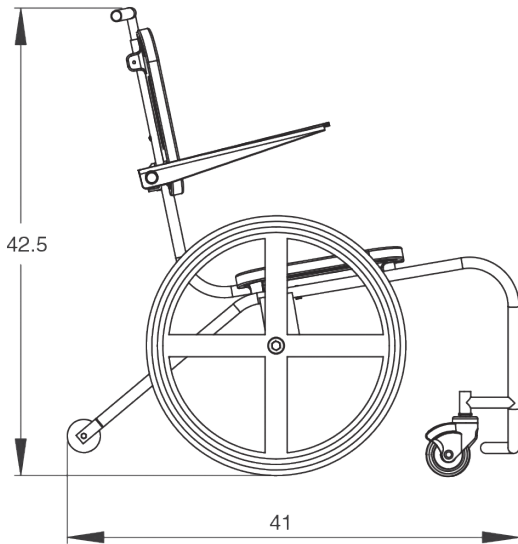
# Mobile Aquatic Chair



Mobile Aquatic Chairs (MAC) are essential for facilities utilizing a ramp, zero-depth entry or movable floor. The MAC is built specifically for use in aquatic environments, and with proper maintenance will look great for years to come.

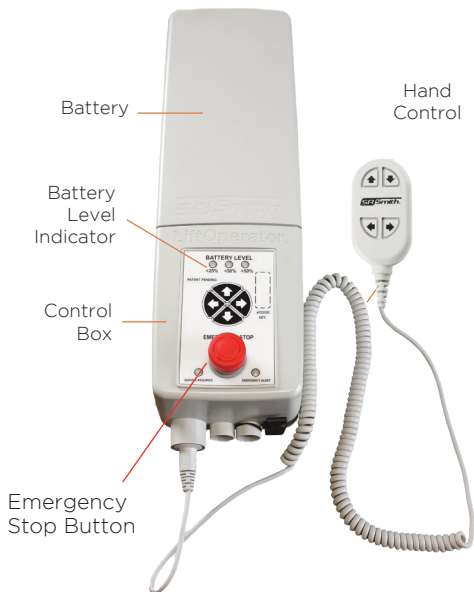
- Rear stabilizing wheels provide increased stability when the chair is in the water
- Unibody frame construction for increased durability
- Armrests flip up for easy transfer on and off the chair
- Powder-coated stainless-steel frame resists corrosion
- 18" (46 cm) sturdy, rotomolded plastic seat provides safe transfer support
- 300 lb/136kg weight capacity

Part No.	Description	Shipping   Class 85			
		Weight	Length	Width	Height
AC0000	MAC (Mobile Aquatic Chair)	100 lbs 45kg	43" 109cm	25" 64cm	22" 56cm



- Seat is 15" deep and 18" wide

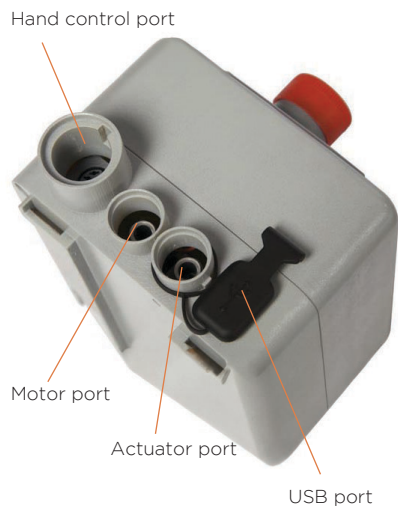
# LiftOperator® Intelligent Control



This technologically advanced pool lift control is a standard feature with all S.R.Smith® ADA compliant pool lifts.

- Emergency stop button sounds an audible alarm and can stop the lift
- Bright LED color-coded indicator shows battery life
- Service notification light meets ADA guidelines for scheduled maintenance, promoting regular service checks (based on 3-4 months average usage)
- USB port transfers usage data to a USB memory stick for review on PC

Part No.	Description	Shipping			
		Weight	Length	Width	Height
400-7000-BC*	CEC LiftOperator, 4-Button				
400-7000	4-Button Control Box*				
400-7000AX	aXs2 4-Button Control Box	5 lbs 2.5kg	16" 40.6cm	5" 12.7cm	5" 12.7cm
400-7000AX-BC	aXs2 4-Button Control Box				
400-7001	2-Button Replacement Kit				
400-7001-BC	2-Button Replacement Kit BC Version				



\*4-Button control for PAL2, Splash! and aXs2 lifts

## COMPONENTS, ACCESSORIES & UPGRADE KITS

Part No.	Description
1001495-BC-R*	CEC 24-Volt Battery (2018 California & Oregon compliant)
1001530-R	Standard Battery Charger
1001530-BC*	CEC Battery Charger (2018 California & Oregon compliant, BC Marked)
1001540	2-Button LiftOperator Upgrade (LINAK to LiftOperator)
1001550	4-Button LiftOperator Upgrade (LINAK to LiftOperator)
1001550-BC	CEC 4-Button LiftOperator Upgrade (LINAK to LiftOperator) BC, Oregon and California Compliant

\*As of 1/02/2018, all new pool lift orders shipped into California feature LiftOperators with California Energy Commission (CEC) compliant battery charging systems. The 2018 CEC compliant LiftOperator control boxes, batteries and charging systems are not compatible with the standard LiftOperator units. Customers in California will be required to provide the serial number of their pool lift when ordering replacement LiftOperator components. For more information, please visit [SRSmith.com/CEC2018](http://SRSmith.com/CEC2018).

On 6/13/2018 all new lifts xshipping to Oregon were BC compliant. Any lift operator components that are ordered shipping to Oregon are also placed on hold and need serial numbers off pool lift to release.

Effective 1/1/2022, to be compliant in Oregon and California, all pre-existing lifts with Linak battery systems will be required to up-grade to the lift operator BC system. Contact Customer Service for more info at 800.824.4387.

Upgrade Kits — from LINAK to LiftOperator; Upgrade Kit includes: Mounting Plate, Lock, Battery, Charger and LiftOperator Control Unit. Hand Control sold separately

# Pool Lift Covers & Accessories

Protect your investment with all-weather covers. Also available is a Seat Saver cover, which may provide a visual deterrent from unauthorized use.



**PAL2**  
920-5000T



**SPLASH! & AXS2**  
970-5000T, AX9006



**SEAT SAVER**  
970-5000T

**SPLASH! MAST**  
940-1100T

\*To order together use 970-5100T

## Pool Lift Covers

	PAL2	Splash! Series	multiLift2	aXs2
500-5800T			■	
500-5800S			■	
920-5000T	■	■		
AX9006				■
970-5100T		■		
970-5000T	■	■		■
940-1100T		■		



## LIFTOperator® CONTROL BOX COVER

Protective cover fits all S.R.Smith® lift control boxes.

910-1000T - Taupe  
910-1000S - Slate

## BATTERY

All pool lifts are powered by a 24 volt, rechargeable battery, which should be left on the charger when not in use.

1001495-R  
1001495-BC-R



As of 1/2/2018, all new pool lift orders into California feature LiftOperators with California Energy Commission (CEC) compliant battery charging systems. The 2018 CEC compliant LiftOperator control boxes, batteries and charging systems are not compatible with the standard LiftOperator units. Customers in California will be required to provide the serial number of their pool lift when ordering replacement LiftOperator components.

On 6/13/2018 all new lifts shipping to Oregon were BC compliant. Any lift operator components that are ordered shipping to Oregon are also placed on hold and need serial numbers off pool lift to release.

Effective 1/1/2022, to be compliant in Oregon and California, all pre-existing lifts with Linak battery systems will be required to up-grade to the lift operator BC system. Contact Customer Service for more info at 800.824.4387.





**STABILITY STRAP**

Designed to secure individuals with limited independent upper body or trunk stability.  
900-6000



**SPINE BOARD ATTACHMENT**

Supports any standard spine board (not included). Not available with aXs2.  
500-1000



**POOL LIFT SIGN**

9" x 12" metal sign  
900-5000



**WARNING SIGN**

9" x 12" metal sign  
900-5100A



**SPLASH!**



**AXS2**  
caddy not sold separately

**CADDIES**

Facilitates handling and transporting a Splash! or aXs2 lift (aXs2 caddy not sold separately)

**SPLASH!**  
400-0000

**AXS2**  
310-0000CN  
310-0000CN-ST  
310-0000CN-TP



**LIFTLOCK2 ANCHOR**

Locking square deck anchor for Splash! and aXs2 models ensures a smoother ride, and meets the ADA "fixed" pool lift requirement.

Anchor	300-6600L
Replacement Cap	300-6600C



200-1090A

**SECURE-IT KITS**

Quickly and easily secures pool lift to the deck per the ADA "fixed" pool lift requirement.

- PAL2 kit offers the flexibility of being easily removed from the deck.
- Splash! kit is for use with the Splash Round Post only, and prevents the lift from rotating in the anchor socket.



300-1090A

PAL2 Secure-It Kit	200-1090A
Splash! Round Post Secure-It Kit	300-1090A

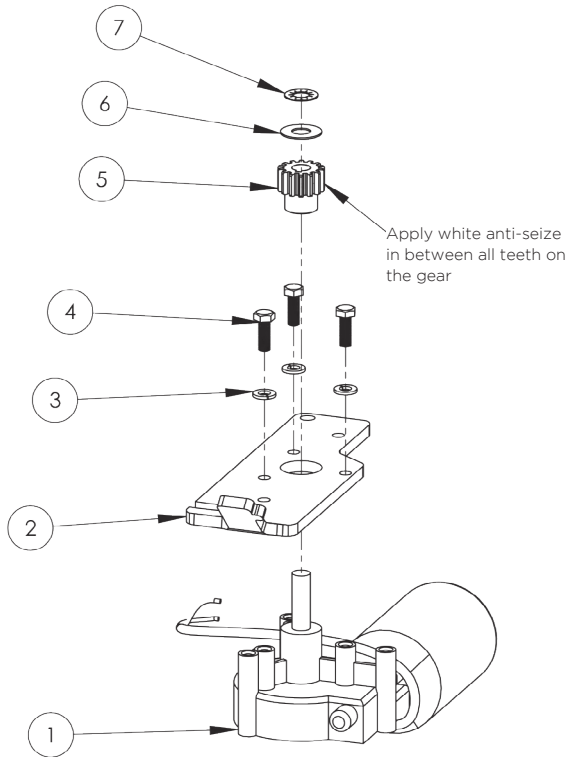


**LIFTOperator® HAND CONTROLS**

Ergonomically designed, water-resistant hand control for all pool lift models with the LiftOperator Control.

2-Button Control for multiLift2 and ML 300	100-4400-R
4-Button Control for PAL2, Splash! and aXs2	100-4300-R

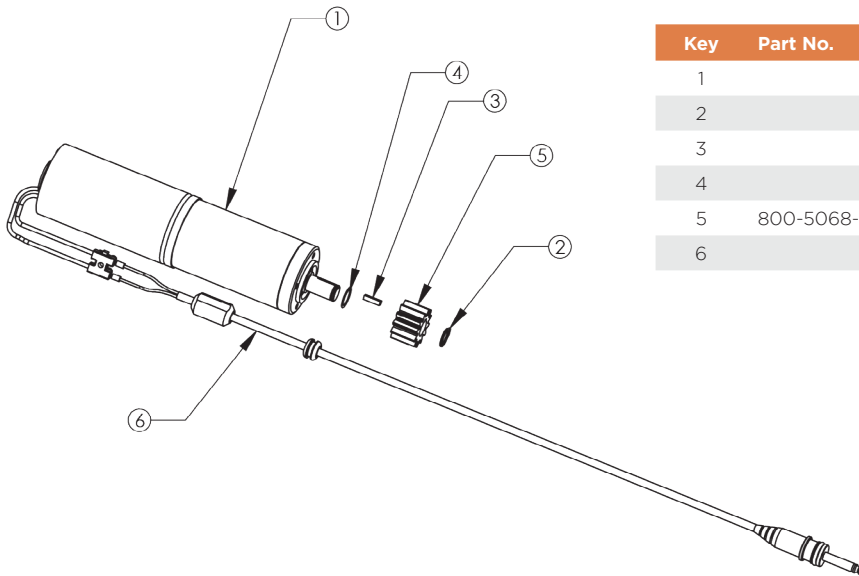
# PAL2 and Splash! Motor Assembly



Key	Part No.	Description
	120-1000-R	Motor Assembly, Complete (includes items 1 - 7)
1	120-1100-R	24V Motor Assembly
2		Motor Plate
3		1/4" Lock Washer S/S
4		6mm x 1 x 20mm Long Cap Screw
5	800-5065-R	Small Spur Gear, Plated
6		3/8" Nylon Washer
7	800-2064-R	10mm Push Retainer

# aXs2 Motor Assembly

aXs2 Motor Assembly 120-2100A (Includes all parts below)



Key	Part No.	Description
1		Motor Gearhead - 1:936 52mm Dia.
2		Retaining Ring, 12mm x 1.0 thk
3		Shaft Key, 1/8 x 1/8 x .50L
4		Shim, .473 ID Dia x .616 OD Dia x .016 T
5	800-5068-R	Gear Pinion - 1.000 PD, 12 T, .75 FW, 20° PA
6		Cable Assembly, Motor Power



Access S.R.Smith's comprehensive library of pool lift troubleshooting videos under Pool Lift Troubleshooting at [SRSmith.com](http://SRSmith.com)

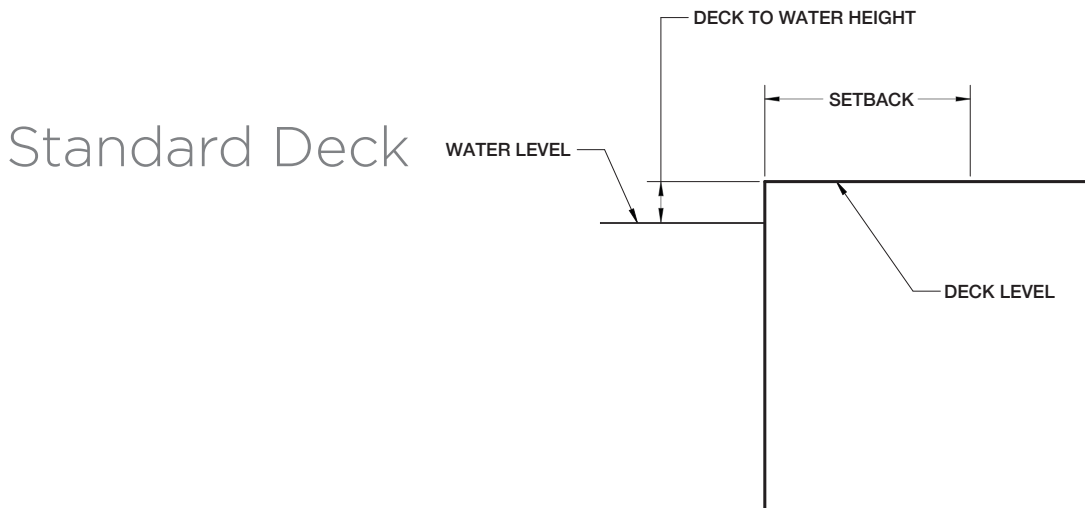
# Pool Lift Setback Chart

The chart below is provided to help determine the required setback for the various lifts on a standard pool deck. This information is in conjunction with the Pool and Spa Lift Deck Profile sheets that you can find online at [SRSmith.com/Configurators](http://SRSmith.com/Configurators) and allows for quick determination of the pool lift that will work for your application.

Deck To Water Level	0"	2"	4"	6"	8"	10"	12"
PAL2	16" - 24"	16" - 24"	16" - 22"	16" - 18"	16" - 18"	16"	16"
Splash!*/Splash! 300	16" - 29"	16" - 28"	16" - 26"	16" - 26"	16" - 24"	16" - 24"	16" - 20"
Splash!/Splash! 300 Hi-Lo*	16" - 34"	16" - 32"	16" - 30"	16" - 28"	16" - 26"	16" - 26"	16" - 22"
Splash! ER*	16" - 46"	16" - 44"	16" - 44"	16" - 44"	16" - 42"	16" - 40"	16" - 38"
Splash! ER Hi-Lo*	16" - 50"	16" - 49"	16" - 49"	16" - 49"	16" - 48"	16" - 47"	16" - 47"
aXs2*	12" - 31"	12" - 29"	12" - 26"	12" - 24"	12" - 20"	N/A	N/A
multiLift2	12.5"-17"	12.5"-17"	12.5"-17"	12.5"-17"	12.5"	N/A	N/A

SETBACK RANGE

\*Set-back from pool wall or end of bullnose (bullnose coping) to center of anchor



## Summary of ADA Requirements

- Water depth at point of lift entry is no more than 48"
- When over the deck, the center line of seat is at least 16" from the edge of pool
- There is a 36" x 48" area of clear deck space on the side of the seat opposite the pool
- Seat surface is 16-19" from deck when in ready position
- In the loading area, the slope of the deck is no greater than 1:48
- Seat is at least 16" wide
- There are footrests that move with the seat
- Armrests (optional) are removable or fold clear of the seat to allow user to easily load the lift
- The lift is user operable from both the deck and water
- The seat submerges at least 18" into the water
- Lift capacity is at least 300 lbs/136kg



Pool **Better**<sup>™</sup>

A Fluidra Brand | [SRSmith.com](http://SRSmith.com) | 1.800.822.7933

©2024 Fluidra. All rights reserved. The trademarks and trade names used herein are the property of their respective owners. 98852\_SL

