

MIGHTY PLAYSETS! SERIOUS FUN!



Swing Kingdom

RESIDENTIAL & COMMERCIAL
PLAYSET CATALOG

CONTENTS

PAGE

About Us	3
RESIDENTIAL PLAYSETS	4-51
Residential Set Index	6
Quality In Every Detail	8
Trailblazer Series	10
Mountaineer Series	20
Switchback Series	28
Playhouse Series	34
Adventurer Series	42
COMMERCIAL PLAYSETS	52-83
Commercial Set Index	54
Take a Look Inside	56
How To Build a Commercial Playground	58
Commercial Sets Ages 2-5	66
Commercial Sets Ages 5-12	72
Commercial Sets Ages 2-12	78
Customize Your Playset	84
Options & Accessories	85-97
Thank You & Warranty	98



Swing Kingdom

MIGHTY PLAYSETS. SERIOUS FUN.



ABOUT US

For loads of fun and family time, count on Swing Kingdom. A family operated manufacturer of premier vinyl playsets, we strive to design and build fine quality, affordable playsets perfect for children of all ages.

From the 500 square foot building where we started our business in 2000, to our current 43,000 square foot facility, Swing Kingdom has expanded to meet the growing demand for high quality, maintenance-free playsets. We were the first manufacturer to combine vinyl PVC and structural wood, along with stainless steel corner brackets and hardware for superior strength. Today, we continue to use only the finest quality materials to ensure safe, durable playsets built to offer years of enjoyment.

Our playsets are loaded with activities that will spark every child's imagination and encourage daily physical activity and never-ending fun!

Constructed with durable material, our residential vinyl playsets are a stress-free and maintenance-free way to encourage physical activity and a vivid imagination. Our Amish-crafted playsets are meant to last for years, making them a great investment for your backyard. Choose from a wide range of playsets and customize them to your needs!



RESIDENTIAL



PLAYSETS

TRAILBLAZER SERIES



Basecamp 22
page 12



Basecamp 35
page 13



Basecamp 44
page 14



Basecamp 55 Clubhouse
page 15

MOUNTAINEER SERIES



Climber 35
page 22



Climber 55
page 23



Climber 55 Deluxe
page 24



Climber 55 Turbo Deluxe
page 25

PLAYHOUSE SERIES



Cabin
page 36



Cabin Deluxe
page 37



Kingdom Lodge
page 38



Kingdom Lodge Deluxe
page 39

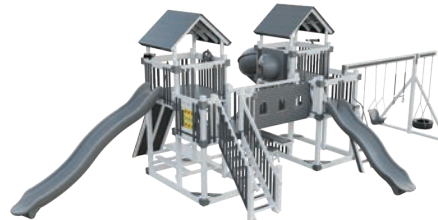
ADVENTURER SERIES



Traverse
page 44



Summit
page 45



Fortress
page 46



Explorer
page 47



Basecamp 55 Stargazer
page 16



Basecamp 55 Lookout
page 17



Basecamp 55 Fitness
page 18



Basecamp 77 Honeycomb
page 19



Mega Climber 55
page 26



Mega Climber 55 Deluxe
page 27



Super 48 Turbo
page 30



Super 48 Sidekick
page 31



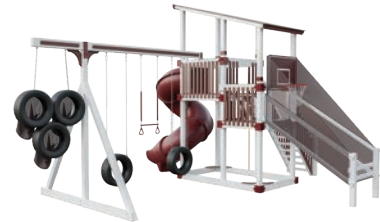
Cottage Escape
page 40



Alpine Retreat
page 41



Super 59 Adventure
page 32



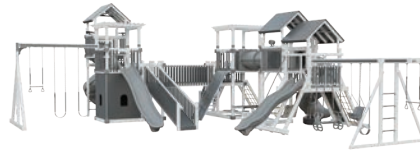
Super 59 Sports Tower
page 33



Obstacle Course
page 48



Pinnacle
page 49



Kingdom
page 50



Buccaneer
page 51

SWITCHBACK SERIES

STANDARD COLOR OPTIONS



White & Red



Almond & Red



White & Blue



Almond & Blue



White & Green



Almond & Green



White & Gray

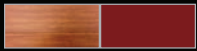


Almond & Gray



Almond, Yellow & Red

PREMIUM OPTIONS



Chestnut Wood Grain & Red



Ash Wood Grain & Red



Chestnut Wood Grain & Green



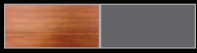
Ash Wood Grain & Green



Chestnut Wood Grain & Blue



Ash Wood Grain & Blue

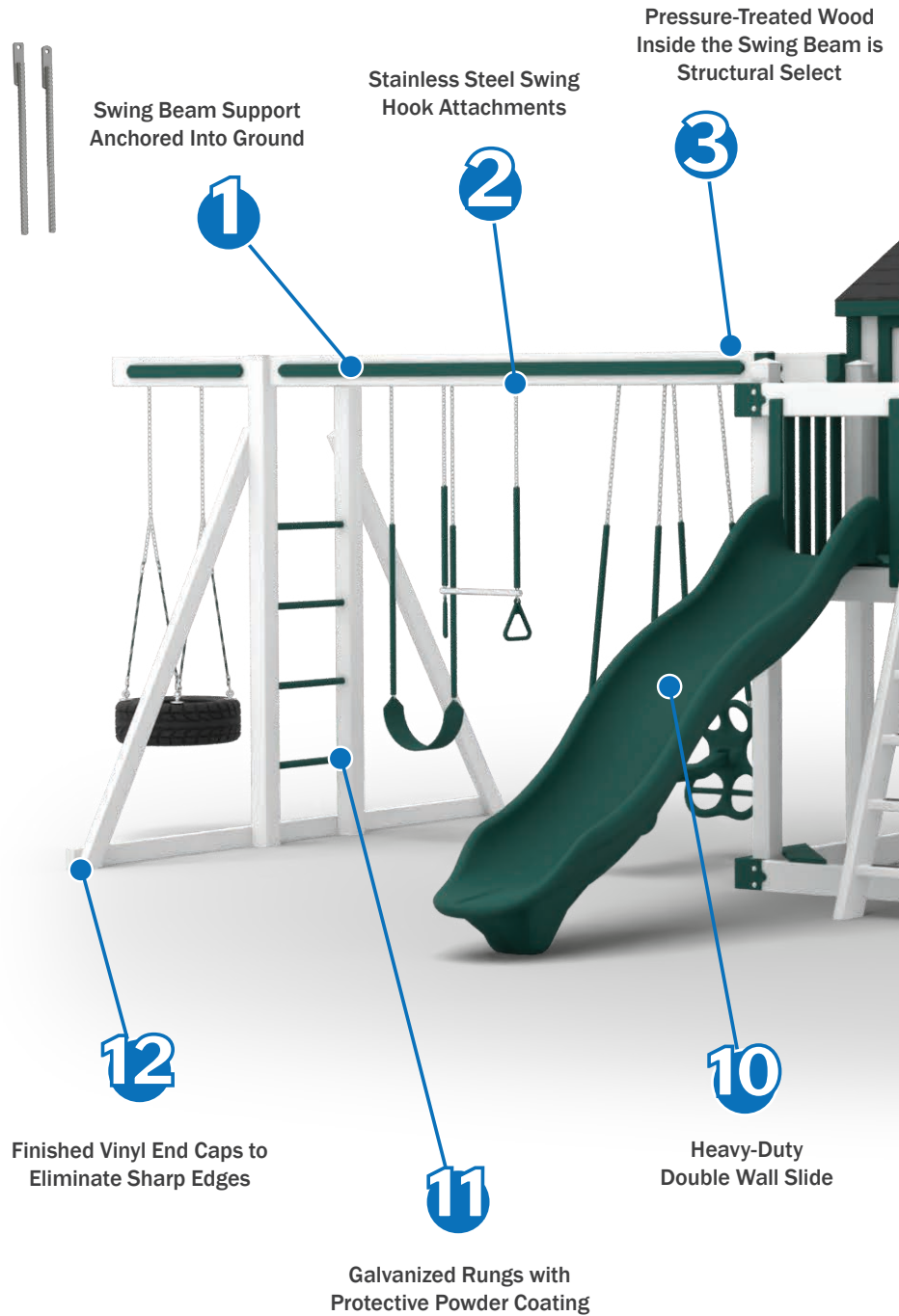


Chestnut Wood Grain & Gray

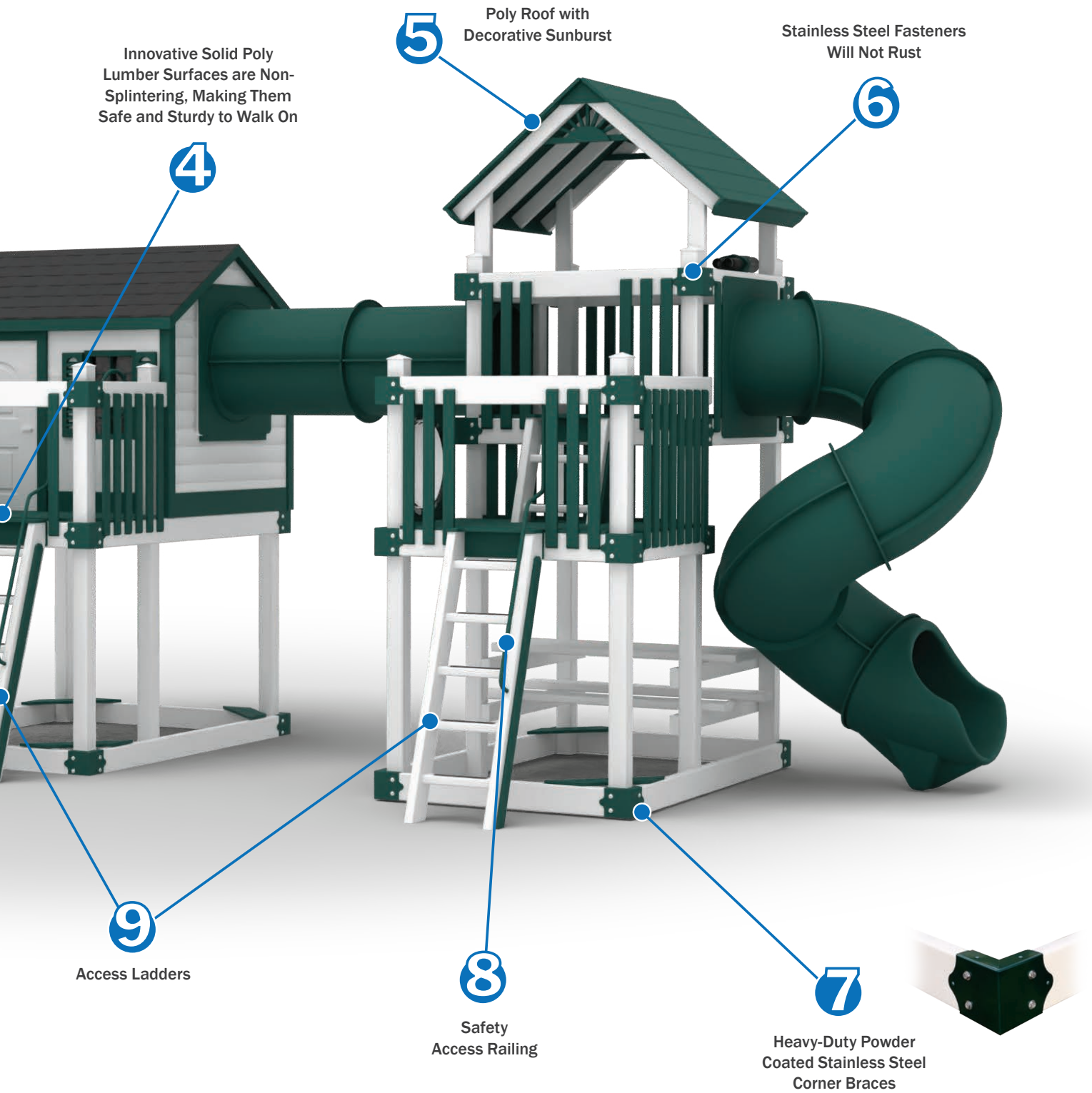


Ash Wood Grain & Gray

QUALITY IN EVERY



DETAIL!





TRAILBLAZER



Having fun is as simple as stepping out your back door. Perfect for smaller families, this series includes some of our most popular playsets. With an assortment of swings, slides and more, the Trailblazer Series is great for nearly any size back yard. Start small today and ramp up the fun as your children grow.

SERIES

BASECAMP 22



DETAILS

Playset Size: 14' W x 15' D x 9' H

Space Needed: 22' W x 24' D

Border Needed: 92'

Recommended Amount of Rubber Mulch: 2 Tons

Tower: 2' x 2'

Deck Height: 5'

Access: 5' Access Ladder w/ Railing

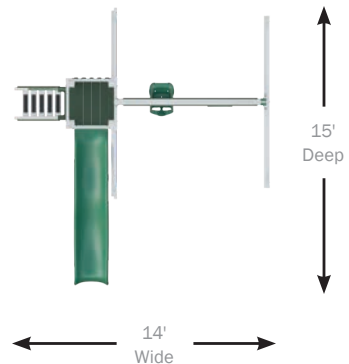
Slide: 10' Waterfall

Swing Beam: 2 Position Single

Swings: Baby Swing, Belt Swing

Anchors: 4

AERIAL VIEW



BASECAMP 35



DETAILS

Playset Size: 22' W x 12' D x 13' H

Space Needed: 30' W x 20' D

Border Needed: 100'

Recommended Amount of Rubber Mulch: 2 Tons

Tower: 3' x 5'

Deck Height: 5'

Access: 5' Access Ladder w/ Railing

Roof: 3' x 8' Canvas w/ Flags

Slide: 10' Waterfall

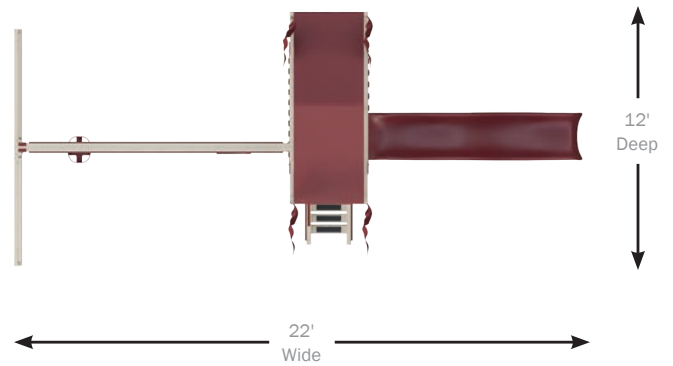
Swing Beam: 3 Position Single

Swings: Belt Swing, Trapeze w/ Rings, Rubber Infant Swing

Fun Item: Ship's Wheel

Anchors: 2

AERIAL VIEW



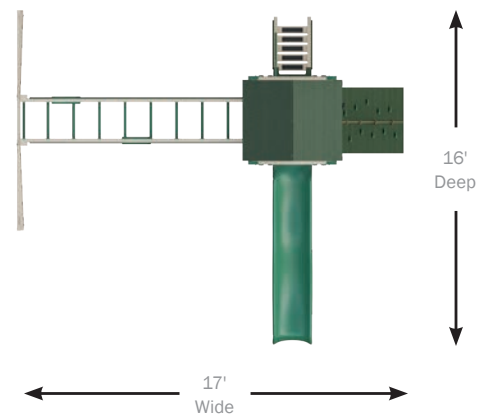
BASECAMP 44



DETAILS

- Playset Size:** 17' W x 16' D x 11' H
- Space Needed:** 26' W x 24' D
- Border Needed:** 100'
- Recommended Amount of Rubber Mulch:** 2 Tons
- Tower:** 4' x 4'
- Deck Height:** 5'
- Access:** 5' Access Ladder w/ Railing, 3' x 5' Rock Wall w/ Rope
- Roof:** 4' x 4' Poly
- Slide:** 10' Waterfall
- Swing Beam:** 3 Position Climber
- Swings:** 2 Belt Swings, Trapeze w/ Rings
- Fun Item:** Binoculars
- Anchors:** 2

AERIAL VIEW





BASECAMP 55

Clubhouse



DETAILS

Playset Size: 12' W x 15' D x 12' H

Space Needed: 20' W x 24' D

Border Needed: 88'

Recommended Amount of Rubber Mulch: 2 Tons

Tower: 5' x 5'

Deck Height: 5'

Access: 5' Access Ladder w/ Railing, 5' x 5' Vertical Rock Wall

Roof: 5' x 5' Poly

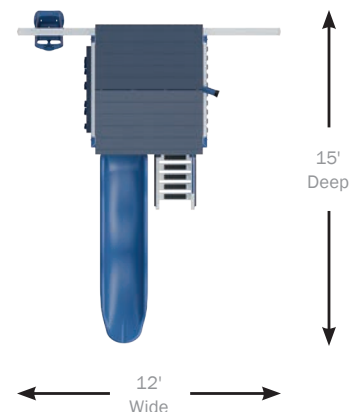
Slide: 10' Avalanche

Swing Beam: 2 Position Cross Beam

Swings: Baby Swing, Belt Swing

Fun Items: Telescope, 5' x 5' Clubhouse Decking, 3 Clubhouse Walls, 2 Hand Bars

AERIAL VIEW



BASECAMP 55

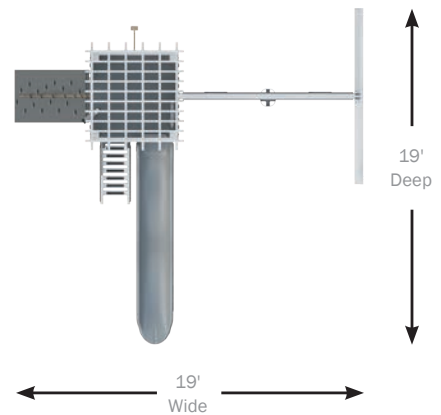
Stargazer



DETAILS

- Playset Size:** 19' W x 19' D x 14' H
- Space Needed:** 28' W x 28' D
- Border Needed:** 112'
- Recommended Amount of Rubber Mulch:** 3 Tons
- Tower:** 5' x 5'
- Deck Height:** 7'
- Access:** 7' Access Ladder w/ Railing, 3' x 7' Rock Wall w/ Rope
- Roof:** 5' x 5' Pergola
- Slide:** 14' Avalanche
- Swing Beam:** 3 Position Single High
- Swings:** (2) Belt Swings High Beam, Rubber Infant Swing High Beam
- Fun Items:** 7' Fire Pole, Telescope, Ship's Wheel, 5' x 5' Picnic Table
- Anchors:** 2

AERIAL VIEW



BASECAMP 55

Lookout



*Shown in premium wood grain color.

DETAILS

Playset Size: 18' W x 19' D x 13' H

Space Needed: 26' W x 28' D

Border Needed: 108'

Recommended Amount of Rubber Mulch: 3 Tons

Tower: 5' x 5'

Deck Height: 5' w/ Extra 7' Landing

Access: 5' Access Ladder w/ Railing, Tall Tower Mounting Ladder,
4' x 5' Cargo Net

Roof: 5' x 5' Lean-To (1' Higher)

Slides: 10' Waterfall, 7' Sidewinder

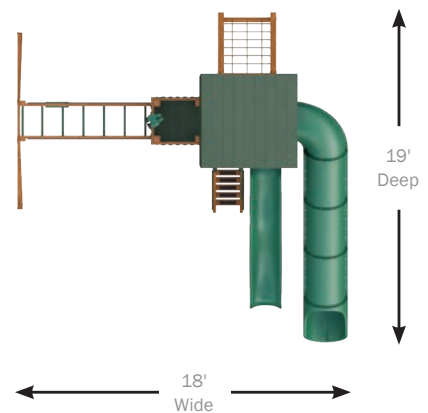
Swing Beam: 3 Position Climber

Swings: 2 Belt Swings, Trapeze w/ Rings

Fun Items: Binoculars, 32" x 36" Lookout

Anchors: 2

AERIAL VIEW



BASECAMP 55

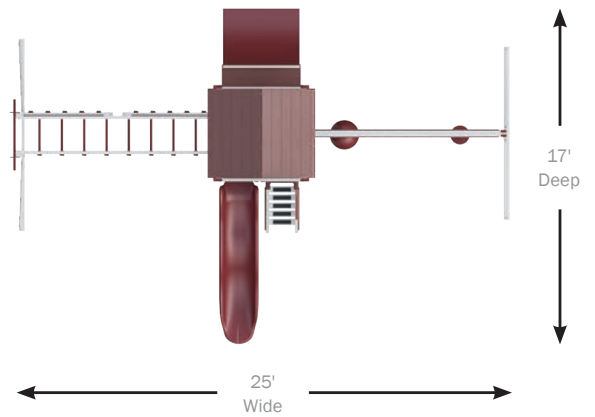
Fitness



DETAILS

- Playset Size:** 25' W x 17' D x 12' H
- Space Needed:** 34' W x 26' D
- Border Needed:** 120'
- Recommended Amount of Rubber Mulch:** 3 Tons
- Tower:** 5' x 5'
- Deck Height:** 5'
- Access:** 5' Access Ladder w/ Railing, 5' x 5' Vertical Rock Wall
- Roof:** 5' x 5' Poly
- Slide:** 10' Avalanche
- Swing Beam:** 3 Position Single, NOC Climber, w/ V-Climber, and Salmon Ladder
- Swings:** Buoy Ball, Trapeze w/ Rings, Cyclone Disc
- Fun Items:** 5' x 5' Clubhouse Decking, 8' Warp Wall
- Anchors:** 4

AERIAL VIEW



BASECAMP 77

Honeycomb



DETAILS

Playset Size: 23' W x 23' D x 13' H

Space Needed: 32' W x 32' D

Border Needed: 128'

Recommended Amount of Rubber Mulch: 4 Tons

Tower: 7.5' x 7.5'

Deck Height: 5' w/ Extra 7' Landing

Access: 5' Access Ladder w/ Railing, 5' x 5' Vertical Cargo Net, 3' x 5' Bear Paw Climber w/ Rope

Roof: Hexagon

Slides: 7' Turbo Twister, 10' Avalanche

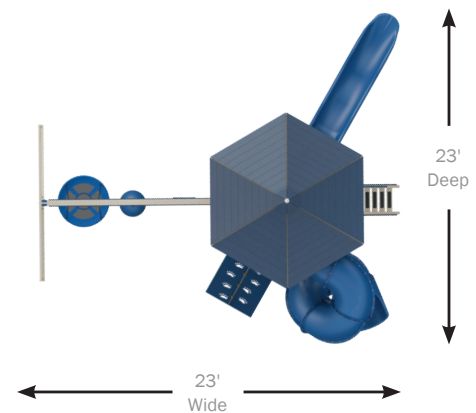
Swing Beam: 3 Position Single

Swings: Belt Swing, Buoy Ball, Web Swing

Fun Items: Steering Wheel, Binoculars, 2 Hand Bars


Anchors: 2

AERIAL VIEW





MOUNTAINEER

A person is climbing a white PVC pipe structure in a grassy backyard. The structure is a simple frame made of white pipes. The person is wearing blue jeans and is climbing the structure. The background shows a green lawn, trees, and a house.

Perfect for active families, the Mountaineer Series features an assortment of different climbing elements. Whether it be a cargo net or rock climbing wall, it is sure to ramp up the backyard fun. These unique climbing elements are an easy way to increase exercise and enjoyment for children of all ages. How high will you climb?

SERIES

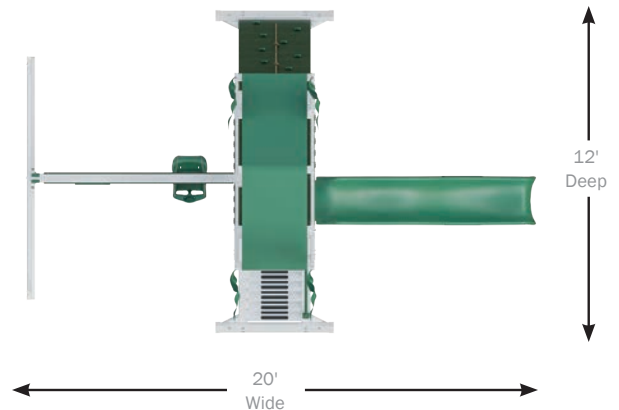
CLIMBER 35



DETAILS

- Playset Size:** 20' W x 12' D x 13' H
- Space Needed:** 28' W x 20' D
- Border Needed:** 96'
- Recommended Amount of Rubber Mulch:** 2 Tons
- Tower:** 3' x 5' MC
- Deck Height:** 5'
- Access:** 5' MC Ladder w/ MC Handrail, Rock Wall for MC Leg
- Roof:** 3' x 8' Canvas w/ Flags
- Slide:** 10' Waterfall
- Swing Beam:** 2 Position Single
- Swings:** Baby Swing, Belt Swing, 3-Rope Tire Swing
- Anchors:** 2

AERIAL VIEW



CLIMBER 55



DETAILS

Playset Size: 12' W x 17' D x 13' H

Space Needed: 20' W x 26' D

Border Needed: 92'

Recommended Amount of Rubber Mulch: 2 Tons

Tower: 5' x 5' MC

Deck Height: 5'

Access: 5' MC Ladder w/ MC Handrail, Rock Wall for MC Leg, Cargo Net for MC Leg

Roof: 5' x 5' Pyramid

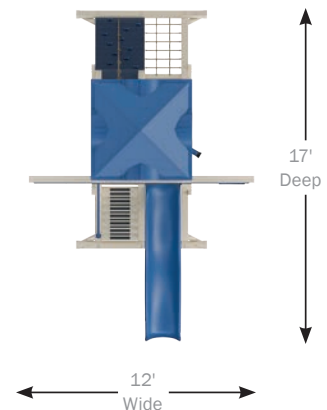
Slide: 10' Waterfall

Swing Beam: 2 Position Cross Beam

Swings: Belt Swing, Trapeze w/ Rings, 3-Rope Tire Swing

Fun Items: Steering Wheel, Telescope

AERIAL VIEW



CLIMBER 55

Deluxe

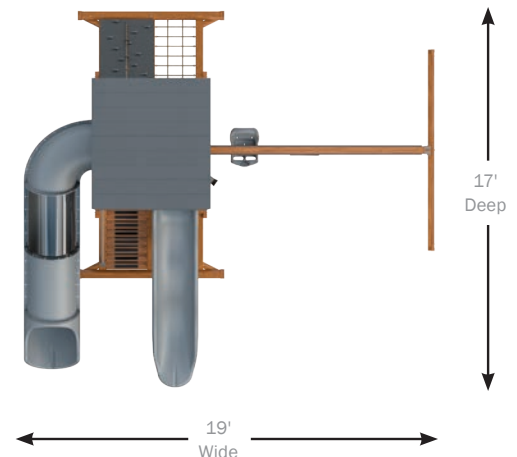


*Shown in premium wood grain color.

DETAILS

- Playset Size:** 19' W x 17' D x 12' H
- Space Needed:** 28' W x 26' D
- Border Needed:** 108'
- Recommended Amount of Rubber Mulch:** 3 Tons
- Tower:** 5' x 5' MC
- Deck Height:** 5'
- Access:** 5' MC Ladder w/ MC Handrail, Rock Wall for MC Leg, Cargo Net for MC Leg
- Roof:** 5' x 5' Lean-To
- Slides:** 5' Sidewinder w/ Clear Section, 10' Avalanche
- Swing Beam:** 3 Position Single
- Swings:** Baby Swing, Belt Swing, Trapeze w/ Rings, 3-Rope Tire Swing
- Fun Items:** Telescope, Tic-Tac-Toe
- Anchors:** 2

AERIAL VIEW



CLIMBER 55

Turbo Deluxe



DETAILS

Playset Size: 22' W x 17' D x 12' H

Space Needed: 30' W x 26' D

Border Needed: 112'

Recommended Amount of Rubber Mulch: 3 Tons

Tower: 5' x 5' MC

Deck Height: 5' w/ Extra 7' Landing

Access: 5' MC Ladder w/ MC Handrail, Rock Wall for MC Leg,
Cargo Net for MC Leg

Roof: 5' x 5' Gable

Slides: 10' Avalanche, 7' Turbo Twister

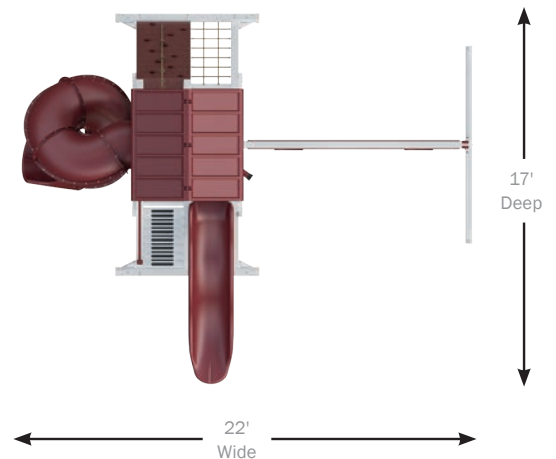
Swing Beam: 3 Position Single

Swings: (2) Belt Swings, Trapeze w/ Rings

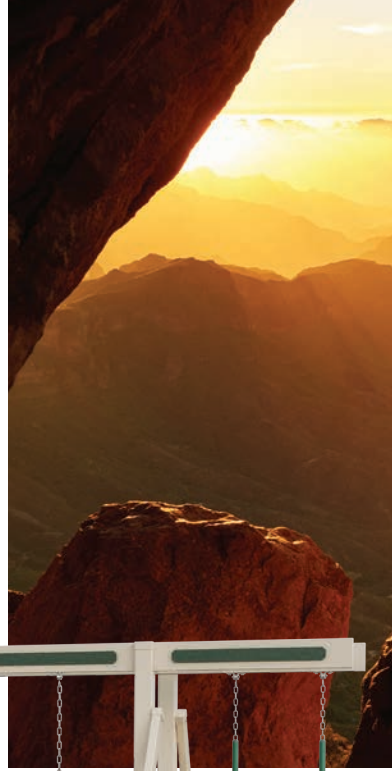
Fun Item: Telescope

Anchors: 2

AERIAL VIEW



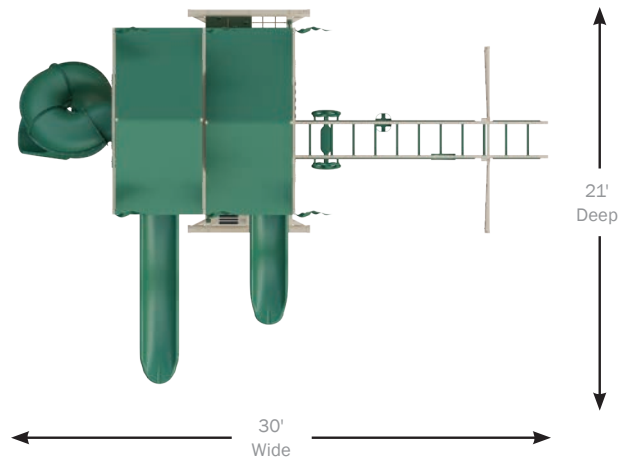
MEGA CLIMBER 55



DETAILS

- Playset Size:** 30' W x 21' D x 15' H
- Space Needed:** 38' W x 30' D
- Border Needed:** 136'
- Recommended Amount of Rubber Mulch:** 4 Tons
- Towers:** 5' x 5' MC, Mega 7' Deck for MC
- Deck Heights:** 5', 7'
- Access:** 5' MC Ladder w/ MC Handrail, Rock Wall for MC Leg, Cargo Net for MC Leg
- Roofs:** (2) 5' x 10' Canvas w/ Flags
- Slides:** 10' Avalanche, 14' Avalanche, 7' Turbo Twister
- Swing Beam:** 4 Position Climber
- Swings:** Belt Swing, Trapeze w/ Rings, Rubber Infant Swing, Dual Rider, 3-Rope Tire Swing, Hammock Swing
- Fun Item:** Megaphone
- Anchors:** 2

AERIAL VIEW





MEGA CLIMBER 55

Deluxe



DETAILS

Playset Size: 29' W x 23' D x 15' H

Space Needed: 38' W x 32' D

Border Needed: 140'

Recommended Amount of Rubber Mulch: 4 Tons

Towers: 5' x 5' MC, (2) Mega 7' Deck for MC

Deck Heights: 5', 7'

Access: 5' MC Ladder w/ MC Handrail, Rock Wall for MC Leg, Cargo Net for MC Leg, 3' x 7' Rock Wall

Roofs: (3) 5' x 10' Canvas w/ Flags

Slides: 10' Avalanche, 14' Avalanche, 7' Turbo Twister w/ Clear Section, 7' Sidewinder w/ Clear Section

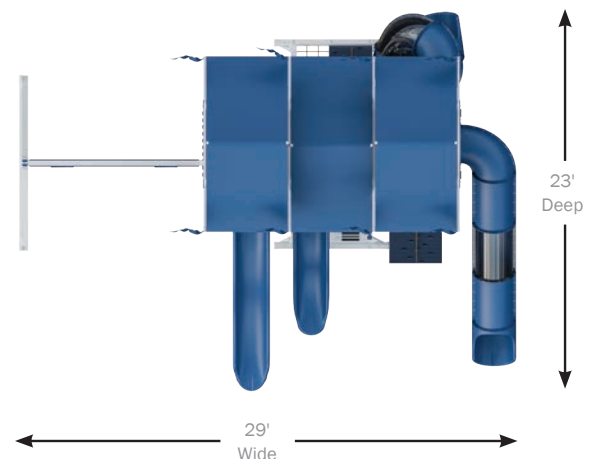
Swing Beam: 3 Position Single High

Swings: (2) Belt Swings High Beam, Trapeze w/ Rings High Beam, Hammock Swing, 3-Rope Tire Swing

Fun Items: Binoculars, Ship's Wheel, 7' Fire Pole


Anchors: 2

AERIAL VIEW





SWITCHBACK

A young child with curly hair, wearing a plaid shirt, is playing on a wooden playset. The child is holding onto a rope climber. The playset features a double-deck tower and a slide. The background shows trees and a car parked in a driveway.

Featuring double-deck towers, the Switchback Playset Series takes backyard fun to new heights. Mix and match accessories for different levels of adventure. Choose from one of our popular designs or create your very own. With tons of ways to play, our sets bring great style to every backyard!

SERIES

SUPER 48

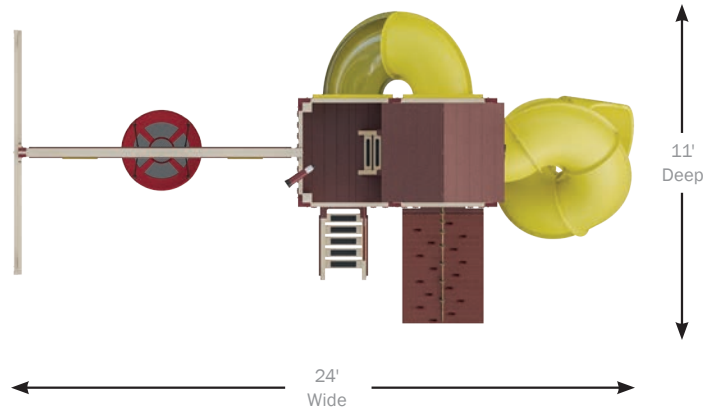
Turbo



DETAILS

- Playset Size:** 24' W x 11' D x 13' H
- Space Needed:** 32' W x 20' D
- Border Needed:** 104'
- Recommended Amount of Rubber Mulch:** 2 Tons
- Tower:** 4' x 8'
- Deck Heights:** 5', 7'
- Access:** 5' Access Ladder w/ Railing, 3' x 7' Rock Wall w/ Rope
- Roof:** 4' x 4' Poly
- Slide:** 7' Turbo Twister
- Swing Beam:** 3 Position Single
- Swings:** (2) Belt Swings, Web Swing
- Fun Items:** Binoculars, Telescope, Picnic Table
- Connector:** Crawl Tunnel w/ Clear Section
- Anchors:** 2

AERIAL VIEW





SUPER 48

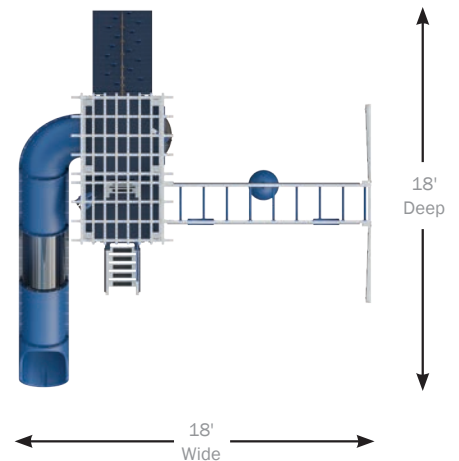
Sidekick



DETAILS

- Playset Size:** 18' W x 18' D x 14' H
- Space Needed:** 26' W x 26' D
- Border Needed:** 104'
- Recommended Amount of Rubber Mulch:** 3 Tons
- Tower:** 4' x 8'
- Deck Heights:** 5', 7'
- Access:** 5' Access Ladder w/ Railing, 3' x 7' Rock Wall w/ Rope
- Roof:** Double Pergola Roof
- Slide:** 7' Sidewinder w/ Clear Section
- Swing Beam:** 3 Position Climber
- Swings:** (2) Belt Swings, Buoy Ball
- Fun Items:** Binoculars, Telescope, Bubble Panel, Checkers Game Board, 4' x 4' Clubhouse Decking
- Anchors:** 2

AERIAL VIEW



SUPER 59

Adventure



DETAILS

Playset Size: 31' W x 17' D x 14' H

Space Needed: 40' W x 26' D

Border Needed: 132'

Recommended Amount of Rubber Mulch: 4 Tons

Tower: 5' x 9'

Deck Heights: 5', 7'

Access: 5' Access Ladder w/ Railing, 4' x 5' Cargo Net, 5' x 7' Vertical Rock Wall

Roof: 5' x 9' Double Poly

Slides: 10' Avalanche, 14' Avalanche

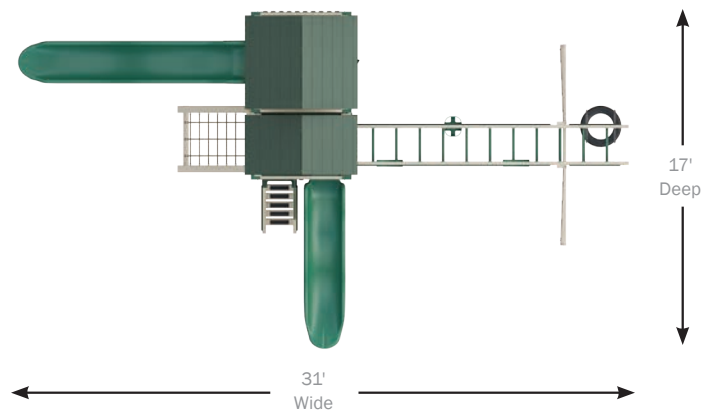
Swing Beam: 4 Position Climber

Swings: (2) Belt Swings, Rubber Infant, 4-Rope Tire Swing

Fun Items: Binoculars, Ships Wheel, 5' x 5' Clubhouse Decking, 2 Hand Bars

Anchors: 2

AERIAL VIEW



SUPER 59

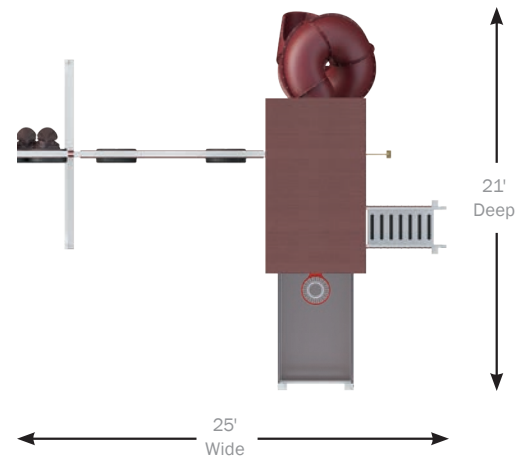
Sports Tower



DETAILS

- Playset Size: 25' W x 21' D x 15' H
- Space Needed: 34' W x 30' D
- Border Needed: 128'
- Recommended Amount of Rubber Mulch: 4 Tons
- Tower: 5' x 9'
- Deck Heights: 5', 7'
- Access: Staircase
- Roof: 5' x 9' Double Lean-To
- Slide: 7' Turbo Twister
- Swing Beam: 4 Position Single High
- Swings: Trapeze w/ Rings High Beam, (2) 2-Rope Tire Swings High Beam
- Fun Items: QB Challenge High Beam, 7' Fire Pole, Buzzer Beater Hoops
- Anchors: 2

AERIAL VIEW





PLAYHOUSE



The Playhouse Series gives children swings, slides, and a place to call their own, with room to let imaginations grow. This series is ideal for active imaginations and families of all sizes.

SERIES

CABIN



DETAILS

Playset Size: 19' W x 17' D x 11' H

Space Needed: 28' W x 26' D

Border Needed: 108'

Recommended Amount of Rubber Mulch: 3 Tons

Tower: 6' x 8' Playhouse w/ Window, (1) Extra Window w/ Shutters

Deck Height: 5'

Access: 5' Access Ladder w/ Railing, 3' x 5' Rock Wall w/ Rope

Slide: 10' Waterfall

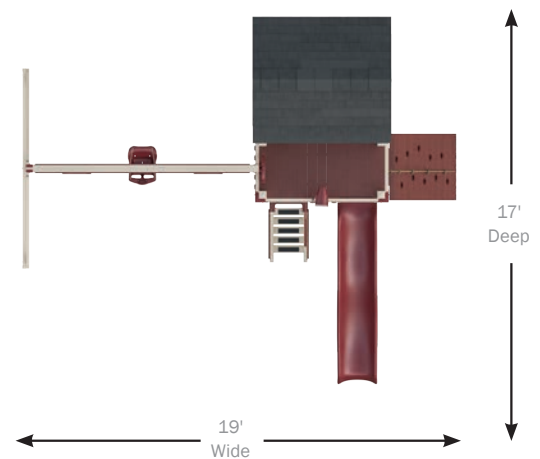
Swing Beam: 3 Position Single

Swings: (2) Belt Swings, Baby Swing

Fun Items: Ship's Wheel, Spotlight

Anchors: 2

AERIAL VIEW



CABIN

Deluxe



DETAILS

Playset Size: 27' W x 19' D x 11' H

Space Needed: 36' W x 28' D

Border Needed: 128'

Recommended Amount of Rubber Mulch: 4 Tons

Tower: 8' x 9' Playhouse Tower w/ (2) 3' x 8' Porches and (2) Windows w/ Shutters

Deck Height: 5', 7' Playhouse Landing

Access: 5' Access Ladder w/ Railing, 3' x 5' Bear Paw Climber w/ Rope

Slides: 10' Avalanche, 7' Turbo Twister

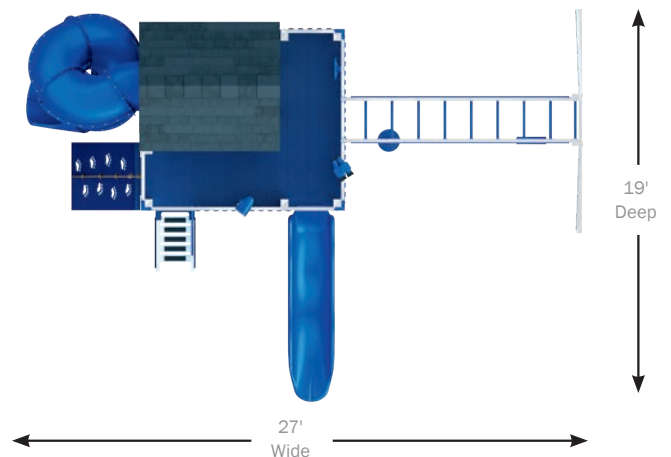
Swing Beam: 3 Position Climber

Swings: Belt Swing, Cyclone Disc, Trapeze w/ Rings, 3 Rope Tire Swing

Fun Items: Steering Wheel, Binoculars, Spotlight

Anchors: 2

AERIAL VIEW



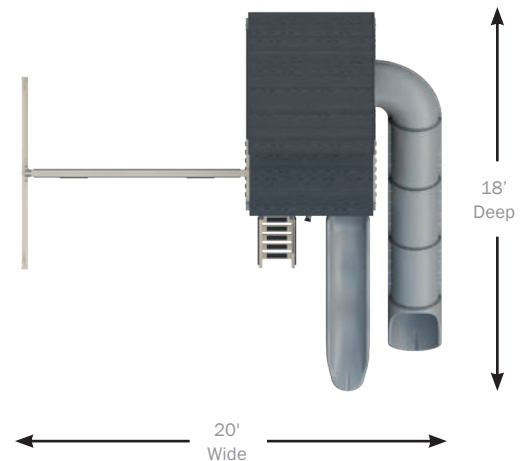
KINGDOM LODGE



DETAILS

- Playset Size:** 20' W x 18' D x 13' H
- Space Needed:** 28' W x 26' D
- Border Needed:** 108'
- Recommended Amount of Rubber Mulch:** 3 Tons
- Tower:** 6' x 9' Kingdom Lodge w/ Window, (1) Extra Window
- Deck Height:** 5', 7' Playhouse Landing
- Access:** 5' Access Ladder w/ Railing
- Slides:** 10' Avalanche, 7' Sidewinder
- Swing Beam:** 3 Position Single
- Swings:** (2) Belt Swings, Trapeze w/ Rings
- Fun Items:** Ship's Wheel, Telescope
- Anchors:** 2

AERIAL VIEW



KINGDOM LODGE

Deluxe



DETAILS

Playset Size: 22' W x 27' D x 13' H

Space Needed: 30' W x 36' D

Border Needed: 132'

Recommended Amount of Rubber Mulch: 4 Tons

Tower: 9' x 9' Kingdom Lodge w/ Window, (2) Extra Windows,

Deck Height: 5', 7' Playhouse Landing

Access: 3' x 5' Rock Wall w/ Rope, 4' x 5' Cargo Net,
12' Ramp w/ Rope

Slides: (2) 10' Avalanche, 7' Turbo Twister

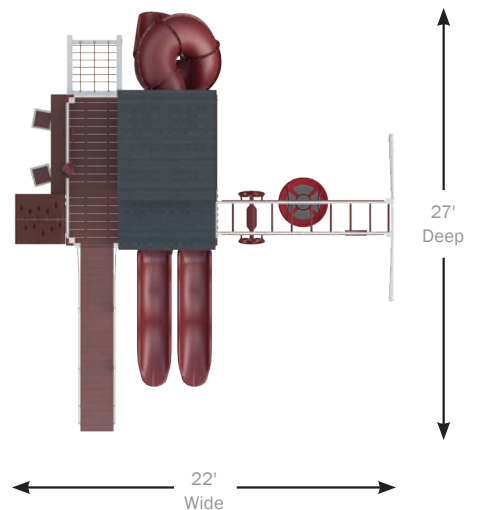
Swing Beam: 3 Position Climber

Swings: Belt Swing, Dual Rider, Web Swing

Fun Items: Binoculars, Steering Wheel, Telescope,
2' x 6' Lemonade Stand w/ (2) Stools

Anchors: 2

AERIAL VIEW



COTTAGE ESCAPE



DETAILS

Playset Size: 38' W x 25' D x 15' H

Space Needed: 46' W x 34' D

Border Needed: 160'

Recommended Amount of Rubber Mulch: 5 Tons

Towers: 8' x 8' Playhouse Cottage w/ 4' x 8' Porch w/ 2 Windows, Loft Dormer, 5' x 5' MC, Mega 7' Deck for MC

Deck Height: 5', 7'

Access: 5' MC Ladder w/ MC Rail, Rock Wall for MC Leg, Cargo Net for MC Leg, Access Ladder to Loft

Roofs: (2) 5' x 5' Pyramid

Slides: 10' Avalanche, 14' Avalanche, 7' Turbo Twister

Swing Beam: 4 Position Climber

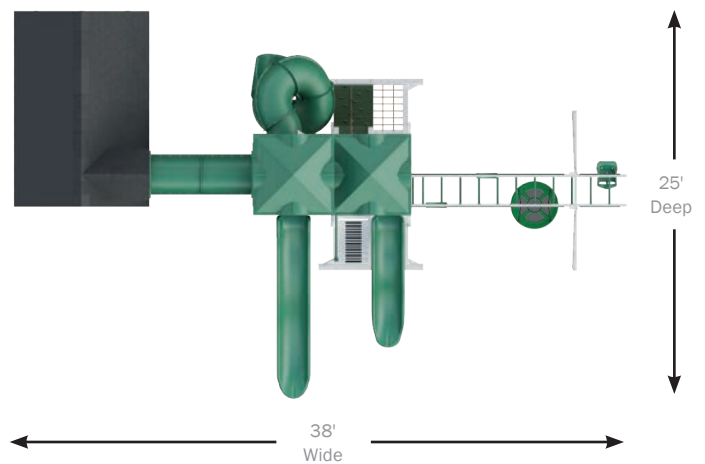
Swings: (2) Belt Swings, Baby Swing, Web Swing, Hammock Swing, 3-Rope Tire Swing

Fun Items: Megaphone, Spotlight

Connector: 6'-6" Tower Tunnel

Anchors: 2

AERIAL VIEW



ALPINE RETREAT



DETAILS

Playset Size: 23' W x 15' D x 10' H

Space Needed: 32' W x 24' D

Border Needed: 112'

Recommended Amount of Rubber Mulch: 3 Tons

Tower: 6' x 12' w/ Loft, (4) Windows, Loft Dormer w/ Door

Deck Height: 5'

Access: 5' Access Ladder w/ Railing, Tower Mounting Ladder to Loft

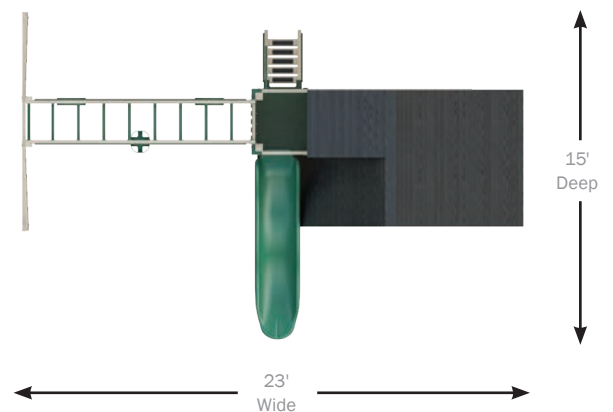
Slide: 10' Avalanche

Swing Beam: 3 Position Climber

Swings: (2) Belt Swings, Rubber Infant Swing


Anchors: 2

AERIAL VIEW





ADVENTURER

A young boy with short brown hair, wearing a dark blue t-shirt, is hanging from a wooden beam of a playground structure. He is looking to his left with a slight smile. The background is a blurred residential neighborhood with houses and trees under an overcast sky. The text is overlaid on a dark grey rectangular area at the top of the image.

Are your kids up for an adventure? We have exactly what you are looking for! With the Adventurer Series, they will experience our largest residential sets available. Full of multiple towers and bridges, plus different accessories, like climbers, swings and slides. Here is where playtime gets serious. Are your ready to choose your adventure?

SERIES

TRAVERSE



DETAILS

Playset Size: 30' W x 22' D x 14' H

Space Needed: 38' W x 30' D

Border Needed: 136'

Recommended Amount of Rubber Mulch: 4 Tons

Towers: (2) 5' x 5'

Deck Heights: 5', 7'

Access: Staircase, 3' x 7' Rock Wall w/ Rope

Roofs: 5' x 5' Poly, 5' x 5' Pergola

Slides: 10' Avalanche, 7' Turbo Twister

Swing Beam: 3 Position Single

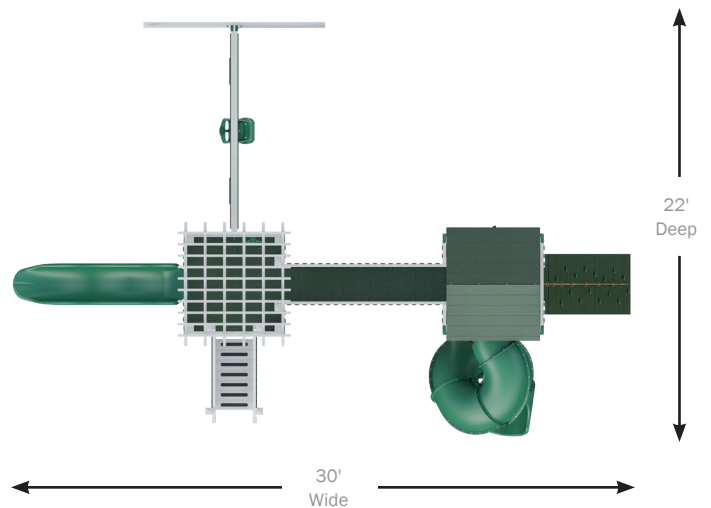
Swings: (2) Belt Swings, Baby Swing

Fun Items: Binoculars, Telescope, Steering Wheel,
5' x 5' Picnic Table, Tic-Tac-Toe

Connector: 8' Connecting Ramp w/ Railing

Anchors: 2

AERIAL VIEW



SUMMIT



DETAILS

Playset Size: 29' W x 22' D x 17' H

Space Needed: 38' W x 30' D

Border Needed: 136'

Recommended Amount of Rubber Mulch: 4 Tons

Towers: 5' x 9', Jungle Bar

Deck Heights: 5', 7', 9'

Access: Staircase, 3' x 5' Rock Wall w/ Rope

Roofs: (1) 5' x 5' Poly, (1) 5' x 5' Poly (1' Higher)

Slides: 14' Avalanche, 9' Turbo Twister

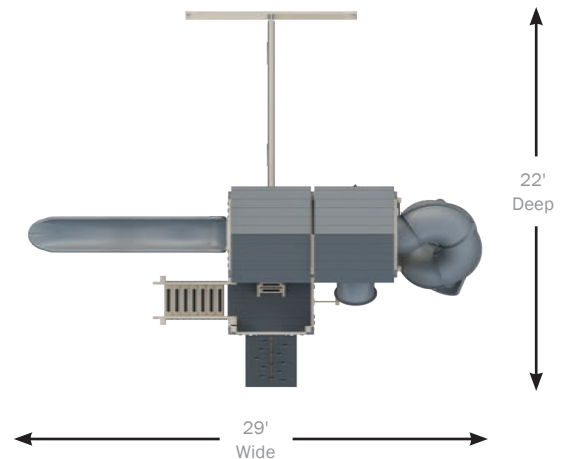
Swing Beam: 3 Position Single High

Swings: (2) Belt Swings High Beam, Trapeze w/ Rings High Beam

Fun Items: Waterslide Adapter, 5' Fire Pole, Binoculars, Spotlight, 5' x 5' Clubhouse Decking, (4) Clubhouse Walls, Tic-Tac-Toe, Bubble Tunnel

Anchors: 2

AERIAL VIEW



FORTRESS



DETAILS

Playset Size: 42' w x 23' D x 14' H

Space Needed: 50' W x 32' D

Border Needed: 164'

Recommended Amount of Rubber Mulch: 6 Tons

Towers: (2) 5' x 9'

Deck Heights: 5', 7'

Access: Staircase, 5' Access Ladder w/ Railing,
3' x 7' Rock Wall w/ Rope

Roofs: (2) 5' x 5' Poly

Slides: 10' Avalanche, 14' Avalanche, 7' Turbo Twister w/ Clear Section

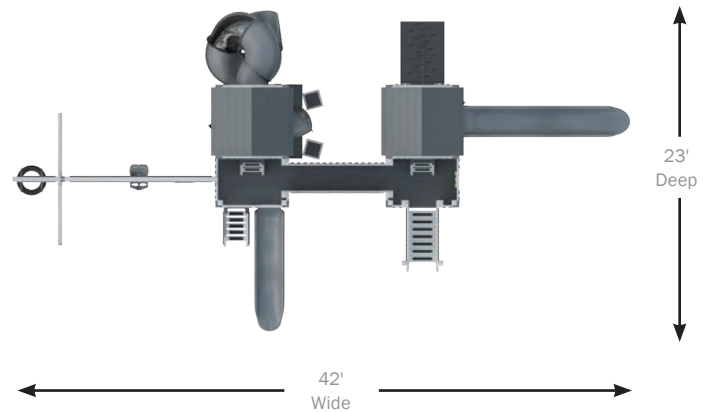
Swing Beam: 4 Position Single

Swings: Belt Swing, Baby Swing, Trapeze w/ Rings, 4-Rope Tire Swing

Fun Items: Binoculars, Telescope, Ship's Wheel, 2' x 5' Lemonade
Stand w/ (2) Stools, Castle Wall, Bubble Tunnel,
Tic-Tac-Toe, 5' x 5' Picnic Table

Anchors: 2

AERIAL VIEW



EXPLORER



DETAILS

Playset Size: 34' W x 21' D x 13' H

Space Needed: 42' W x 30' D

Border Needed: 144'

Recommended Amount of Rubber Mulch: 4 Tons

Towers: 7.5' x 7.5', 5' x 5'

Deck Heights: 5', 7' Tower Landing

Access: (2) 5' Access Ladder w/ Railings, (2) Tower Mounting Ladders, 3' x 5' Bear Paw Climber w/ Rope, 5' x 5' Vertical Rock Wall, 5' x 5' Vertical Cargo Net

Roofs: Hexagon, 5' x 5' Pergola

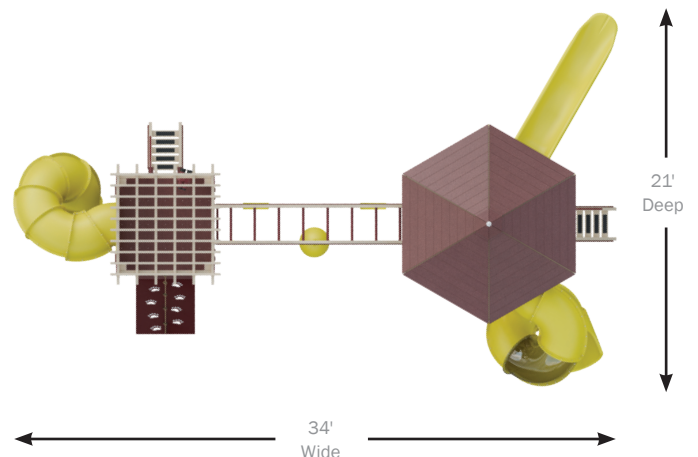
Slides: 10' Avalanche, 5' Turbo Twister, 7' Turbo Twister w/ Clear Section

Swing Beam: 3 Position Arched Beam

Swings: (2) Belt Swings, Buoy Ball, 3-Rope Tire Swing

Fun Items: Steering Wheel, Binoculars, Telescope

AERIAL VIEW



OBSTACLE COURSE



DETAILS

Playset Size: 28' W x 22' D x 11' H

Space Needed: 36' W x 30' D

Border Needed: 132'

Recommended Amount of Rubber Mulch: 4 Tons

Towers: 5' x 5', 5' x 9'

Deck Heights: 5', 7'

Access: 5' Access Ladder w/ Railings, (2) Tower Mounting Ladders, 5' x 5' Vertical Cargo Net, 3' x 7' Rock Wall w/ Rope, 4' x 5' Cargo Net

Slide: 10' Waterfall

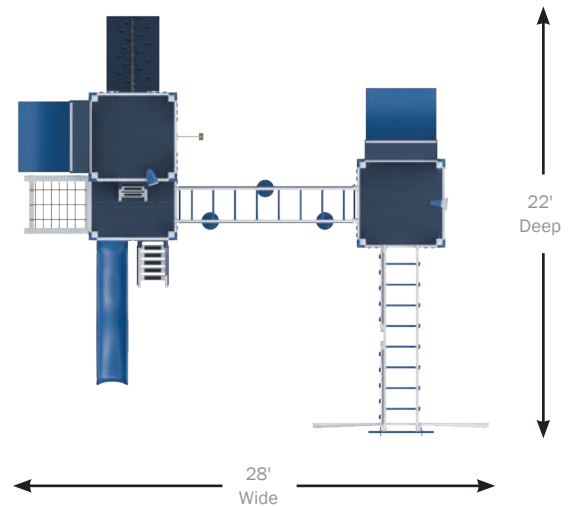
Swing Beams: 3 Position Arched Beam, NOC Climber w/ V-Climber, and Salmon Ladder

Swings: (3) Cyclone Disc

Fun Items: 7' Fire Pole, 10' Warp Wall, 8' Warp Wall, Megaphone, Spotlight, 5' x 5' Clubhouse Decking, 2 Hand Bars

Anchors: 2

AERIAL VIEW



PINNACLE



DETAILS

Playset Size: 31' W x 25' D x 16' H

Space Needed: 40' W x 34' D

Border Needed: 148'

Recommended Amount of Rubber Mulch: 5 Tons

Towers: 5' x 5' MC, Mega 7' Deck for MC, Jungle Bar

Deck Heights: 5', 7', 9'

Access: 5' MC Ladder w/ MC Handrail, Rock Wall for MC Leg, Cargo Net for MC Leg, 3' x 7' Rock Wall w/ Rope, Tower Mounting Ladder

Roofs: (3) 5' x 5' Poly

Slides: 10' Avalanche, 14' Avalanche, (2) 9' Turbo Twister w/ Clear Sections

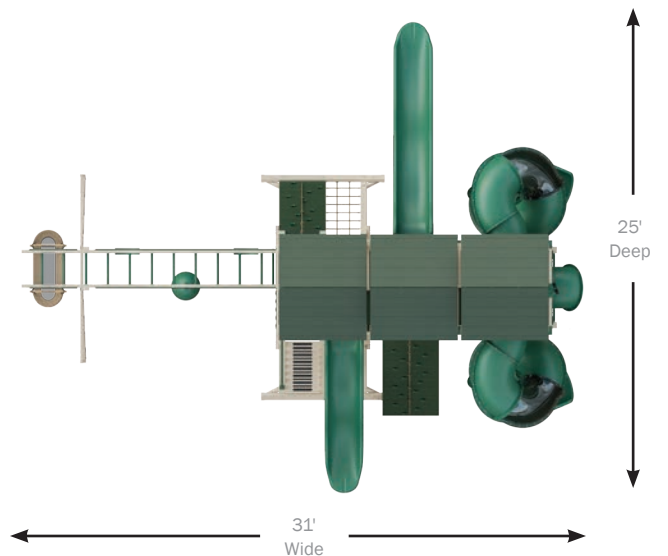
Swing Beam: 4 Position Climber

Swings: (2) Belt Swings, Buoy Ball, Surf Swing, 3-Rope Tire Swing, Hammock Swing

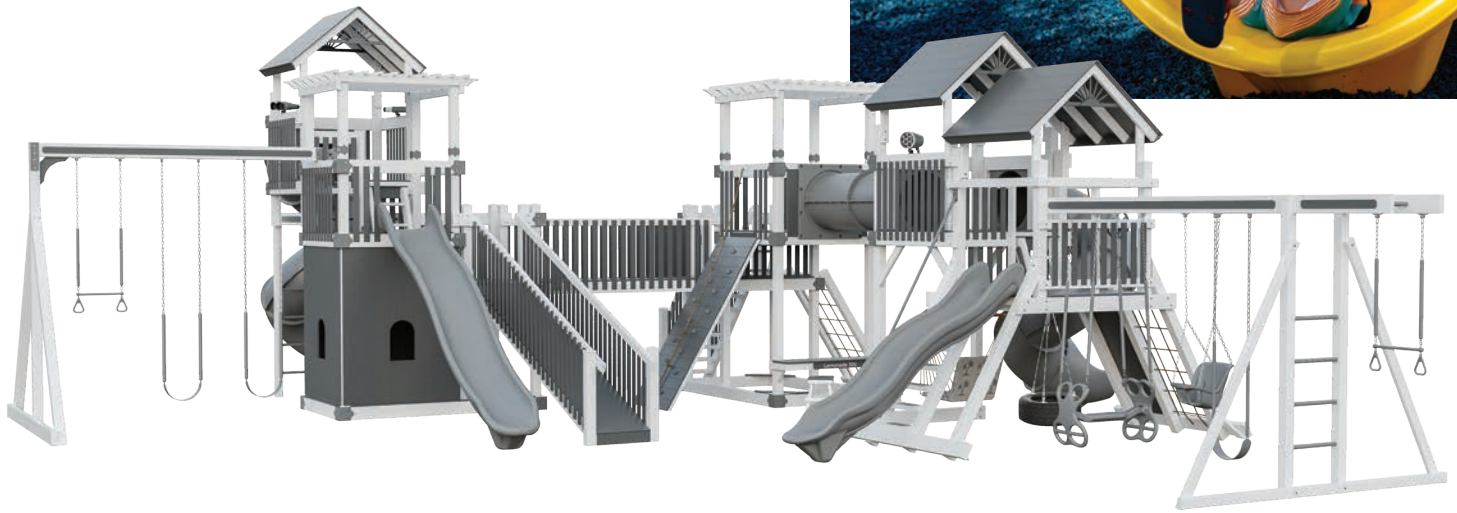
Fun Items: Spotlight, Telescope, Binoculars, Bubble Tunnel

Anchors: 2

AERIAL VIEW



KINGDOM



DETAILS

Playset Size: 51' W x 40' D x 17' H

Space Needed: 60' W x 48' D

Border Needed: 216'

Recommended Amount of Rubber Mulch: 10 Tons

Towers: 5' x 5' MC, Mega 7' Deck for MC, (2) 5' x 9', Jungle Bar

Deck Heights: 5', 7', 9'

Access: 5' MC Ladder w/ MC Handrail, Rock Wall for MC Leg, Cargo Net for MC Leg, 3' x 7' Rock Wall w/ Rope, Staircase, 4' x 5' Cargo Net, 12' Ramp w/ Railings

Roofs: (3) 5' x 5' Poly, (2) 5' x 5' Pergola

Slides: 10' Avalanche, 14' Avalanche, 9' Turbo Twister, 7' Turbo Twister

Swing Beams: 3 Position Single High, 4 Position Climber

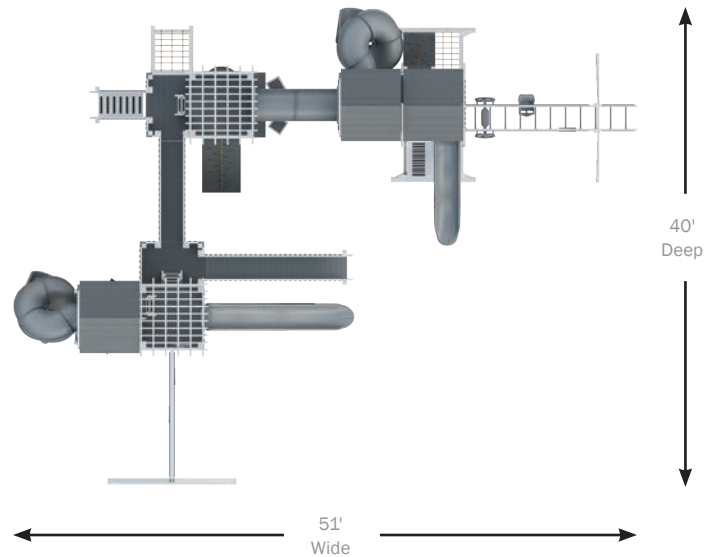
Swings: (2) Belt Swings High Beam, Trapeze w/ Rings High Beam, Belt Swing, Trapeze w/ Rings, Baby Swing, Dual Rider, 3-Rope Tire Swing, Hammock Swing

Fun Items: Spotlight, Ship's Wheel, Telescope, Binoculars, Bubble Panel, Steering Wheel, 2' x 5' Lemonade Stand w/ (2) Stools, 5' x 5' Clubhouse Decking, (4) Clubhouse Walls

Connectors: 6'-6" Tower Tunnel, 9'-9" Bridge w/ Railings

Anchors: 4

AERIAL VIEW



BUCCANEER



DETAILS

Playset Size: 36' W x 29' D x 16' H

Space Needed: 44' W x 38' D

Border Needed: 164'

Recommended Amount of Rubber Mulch: 6 Tons

Towers: 8' x 19' Ark, 5' x 9', Transfer Station
(Includes 3' Tower)

Deck Heights: 3', 5', 7'

Access: (2) ADA Platform First Step, 3' x 7' Rock Wall w/ Rope,
12' Ramp w/ Railings

Roof: 5' x 9' Double Poly

Slides: 3' Tunnel Express, 7' Turbo Twister w/ Clear Sections,
7' Sidewinder w/ Clear Sections

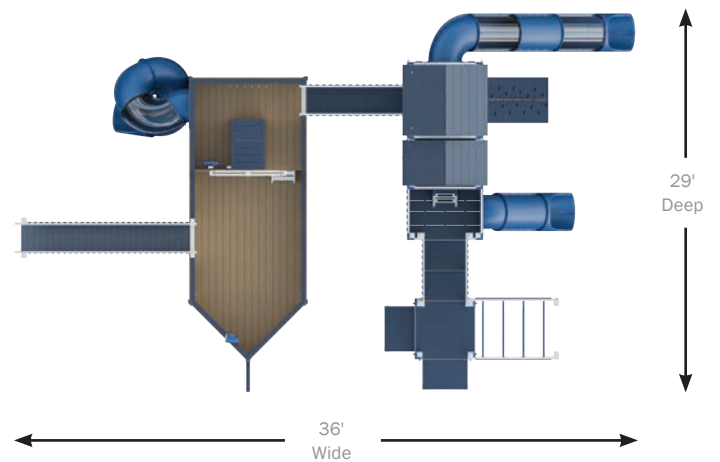
Climber: Monkey Bar 6'

Fun Items: Binoculars, Spotlight, Megaphone, Fire Truck Activity
Panel, Ship's Wheel, 6 Hand Bars

Connector: 6'-6" Bridge w/ Railing

Anchors: 2

AERIAL VIEW



Swing Kingdom designs and builds the strongest vinyl playgrounds on the market. As the largest vinyl playground manufacturer in the United States, we have a proven reputation for premium craftsmanship.

For over 20 years, Swing Kingdom has been equipping commercial facilities with more than just swings and slides. Our safe and durable playgrounds launch active imaginations from a solid platform of maintenance free construction. As a family owned company, Swing Kingdom recognizes that everyone is unique. That is why, from rock walls to turbo twister slides, and swings to sandboxes, we offer accessories to match your distinct requirements. Our goal is to make sure our playgrounds are safe and fun for everyone.



COMMERCIAL



PLAYSETS

AGES 2-5



Tiny Island
page 68



Tiny Fun Quest
page 69

AGES 5-12



Junior Cruiser
page 74



Junior Dreamweaver
page 75

AGES 2-12



Mighty Escape
page 80



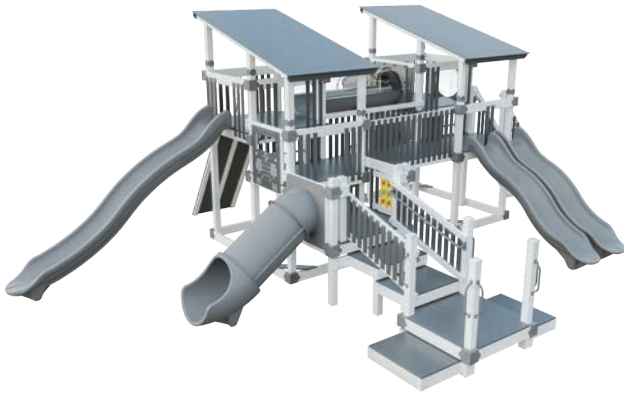
Mighty Journey
page 81



Tiny Town
page 70



Tiny Wonderland
page 71



Junior Race Duo
page 76



Junior Power Play
page 77



Mighty Expedition
page 82



Mighty Adventure
page 83

TAKE A LOOK INSIDE

ENVIRONMENTALLY FRIENDLY PLAYGROUNDS

Being good environmental stewards is something that Swing Kingdom commits to wholeheartedly, which is why we consider it our responsibility to take care of the world around us. Wherever possible, we use high-quality, recycled materials as part of our manufacturing process to produce environmentally friendly playgrounds.

RECYCLED PLASTIC MATERIALS

Our unique approach utilizes recycled plastic milk jugs for deck boards on our playground equipment. This helps the environment by reducing the need for new wasteful plastics to be produced. How can plastic containers be used to create vital structural components for playgrounds?

Step 1: Milk jugs are cleaned, flattened, and placed into shredding machines that chip the plastic into small pieces.

Step 2: A heating process is used to bond together the plastic material and a coloring agent, adding color without using paint.

Step 3: A machine is used for making recycled poly for playground equipment. This machine ejects the recycled plastic into various sizes, which are then cut to length.

Did you know that recycling your plastic milk jugs helps immensely? A larger playground can use more than 70,000 milk jugs. Therefore, your recycling efforts, great or small, contribute to the creation of sustainable materials.

Playgrounds that are made of recycled plastic do not rust, peel, or produce splinters. Not only that, but the use of recycled materials saves landfill space, so it's a win-win situation for everyone.

SUSTAINABILITY OF WOOD COMPONENTS

Swing Kingdom's play structures are made of, pressure-treated natural select, outdoor wood that is encased in vinyl to provide a durable, low-maintenance structure for commercial use.

Pressure Treated Wood also has environmental benefits:

- The treatment extends the service life of the wood, which significantly reduces the demands on forests.
- When used as recommended, Pressure Treated Wood is harmless to people, plants, and animals.

WE'RE SER



IOUS ABOUT COMMERCIAL!

Heavy-Duty Slides & Tunnels Made in the USA

Creative Activity Panels, with a White Core to Clearly Display the Fun

Innovative Solid Poly Lumber Surfaces are Non-Splintering Making Surfaces Safe & Sturdy



Always
check your local
safety codes when
looking to purchase a
Commercial Playground.



HOW TO BUILD
**COMMERCIAL
PLAYGROUNDS**

TOP 3 THINGS TO CONSIDER WHEN PURCHASING A PLAYGROUND

What should you keep in mind when planning the right playground for your community or organization?

Purchasing a commercial playground is a big investment. The members of your community, school, or church have dedicated their time and resources to raise funds necessary for such a large purchase. In return, you want to make sure the playground you choose is a quality product that is built to last, while serving the needs of all your members, young and old. Here are several tips that you should consider when choosing a commercial playground that is the focal point of a fun, outdoor play area.

Playground Tip #1



OPPORTUNITY FOR ALL AGES & ABILITIES

Playground components offer ways for young children to become more steady on their feet while they practice balance and motor skills, and for older children to build strength, flexibility, and endurance. It's important that your commercial playground is built with activities and accessories that are appropriate for all age groups.

We can work with you to create a custom commercial playground that is compliant with the Americans with Disabilities Act (ADA) and accessible for children who are living with disabilities. Included in the accessibility guidelines are the need for ground-level play components, as well as accessible routes to each type of component. You can read more in the Accessibility Guideline for Play Areas document, created by the United States Access Board.

Playground Tip #2:

SAFETY STANDARDS

When you're plotting out the location for the new playground on your organization's property, pay special attention to what is referred to as the use zone. You see dimensions that show a playground as 31' by 22' and think, "Yes, we've got space for that!" But a quality, reputable playground manufacturer or dealer will also provide requirements for use zones. This extra square

footage is a necessary safety precaution to ensure that children on swings don't collide with a tree or that children winding down the slide aren't carried by their momentum into a surrounding fence. It also provides a wide space for children to walk around the play structure without getting kicked or injured by those using the equipment.

It is recommended that your play area is set upon a shock-absorbing surface, such as rubber mulch, artificial playground turf, or Poured-in-Place (PIP) Rubber. This will lessen the impact if a child falls onto the surface. For additional information on purchasing a playground that will keep the children in your community safe from injuries, call our knowledgeable team.

Playground Tip #3:



MAINTENANCE

When choosing a commercial playground, you'll have options that are constructed of vinyl, wood, or metal. They all have advantages and differences. For example, metal playgrounds are the most expensive option and wooden playgrounds offer a natural look. If your priority is ensuring that your playground remains durable and attractive for years, vinyl is a better choice. Metal playgrounds can be victim to rusting and chipped paint. Wooden playgrounds will need to be stained or painted periodically, as well as sanded down if excessive splintering occurs. With vinyl construction, your playground will maintain its attractiveness with a quick power washing each year. Less time for maintenance means more time for fun!

ENCOURAGE OUTSIDE PLAY

The importance of spending time outdoors and being physically active is more important for our children than it has ever been. The #1 health concern that parents have for their children today is childhood obesity. According to the American Heart Association, one in three children are overweight or obese, a statistic that has tripled since 1971. A contributor to obesity and one of the main reasons that children spend less time on physical activity is the rapidly growing trend of “screen time”. Young children can spend as much as 5-7 hours a day watching TV, playing video games, using the Internet, or smart phones. Of course, being physically active is important for building strong, healthy bodies, but there are other physical and mental benefits to playing outside regularly that you may not realize.

MENTAL BENEFITS OF PLAYING OUTSIDE

- Open spaces help children to recharge and release pent-up energy after long periods of learning, making for better academic progress.
- Inattentiveness or hyperactivity can be greatly reduced, keeping children alert.
- When children are exposed to green spaces, stress levels fall and good moods increase.
- Playing outside enhances social interaction and helps children develop relationships.

PHYSICAL BENEFITS OF PLAYING OUTSIDE

- Helps in developing large and small motor skills.
 - Large: Running, jumping, and throwing
 - Small: Hand-eye coordination, grasping, and holding objects
- Promotes the building of cardiovascular endurance.
- Breathing fresh air can help slow the spread of infections. This is especially important during the cold and flu season.
- Outdoor light helps to set your internal clock, which leads to better sleep at night.
- Spending time outside can improve distance vision and lowers chances of being nearsighted.
- Increasing exposure to sunlight and vitamin D, can help prevent bone issues, heart disease, and diabetes.

ADA ACCESSIBLE OUTSIDE PLAY

According to ADA, an accessible playground is one that offers a range of play experiences to children of varying abilities. There must be:

- An accessible path from the building or parking lot to the edge of the play area.
- An accessible path from the edge of the play area to the play equipment.
- Surfacing that complies with ASTM 1951 (Determination of Accessibility of Surface Systems Under and Around Playground Equipment).

Once a child is in the play area, they must be able to access the play equipment by either moving out of their mobility device onto the playground structure (such as a transfer station) or by direct play structure access in their mobility device (such as a ramp).





WE TAKE PLAYSETS SERIOUSLY

CPSI & ASTM

Playgrounds are the perfect place for children to explore and let their imaginations run wild. Feeling the fresh breeze as they swing or slide through the air is truly euphoric. One thing that can ruin their fun is an unexpected bump or fall serious enough for a hospital visit. Unfortunately, these types of trips occur more often than they should. Each year, thousands of children are admitted to the emergency room for injuries that happened on playground equipment. Preventing playground injuries is easier than you may think. We keep childrens safety in mind when making playsets. By following ASTM guidelines and having a CPSI on staff, it helps us keep safety at the forefront.

WHAT IS A CPSI?

We have a certified playground safety inspector on staff. Certification is an act of professionalism. By seeking certification, you join the thousands of people who are committed to fostering the highest standards of ethical and professional practice in the delivery of park and recreation programs and services.

CPSI stands for "Certified Playground Safety Inspector." This certification is offered by the National Recreation and Park Association in coordination with the National Certification Board. All international venues are through the International Playground Safety Institute, LLC on behalf of the NRPA. CPSIs are certified to inspect playgrounds for safety issues and to ensure inspected playgrounds meet current national industry standards developed by the American Society for Testing and Materials (ASTM) and Consumer Product Safety Commission (CPSC).

PUBLIC USE PLAY EQUIPMENT FOR CHILDREN OF AGES 2-12 YEARS

Our Commercial Playgrounds adhere to the requirements of ASTM F1487-21 Playground Standards. In order to ensure the safety and well being of all children who play on commercial playgrounds it is important to follow these guidelines as we do. These standards help to create a safe usable space for all children. Below is a summary of the standard required to meet ASTM guidelines.

ASTM F1487-21 Standard Consumer Safety Performance Specification for Playground Equipment for Public Use

This consumer safety performance specification provides safety and performance standards for various types of public playground equipment. Its purpose is to reduce life-threatening and debilitating injuries. The range of users encompassed by this consumer safety performance specification is the 5th percentile 2-year-old through the 95th percentile 12-year-old.

Home playground equipment, toys, amusement rides, sports equipment, fitness equipment intended for users over the age of 12, public use play equipment for children 6 to 24 months, and soft contained play equipment are not included in this specification.

Products or materials (site furnishings) that are installed outside the equipment use zone, such as benches, tables, independent shade structures, and borders used to contain protective surfacing, are not considered playground equipment and are not included in this specification.

This specification does not address accessibility, except as it pertains to safety issues not covered in the DOJ 2010 Standard for Accessible Design.

Questions? Contact us today for help with your commercial playground project.

PLAYGROUND SURFACING MATERIALS MEET ASTM STANDARDS

Our Playground Surfacing Materials adhere to the requirements of ASTM F1292-22 Playground Standards. Our surfacing passes the required tests to ensure all safety standards are met for your commercial play area. Below is a summary of the standard required to meet ASTM guidelines.

ASTM F1292-22 Standard Specification for Impact Attenuation of Surfacing Materials Within the Use Zone of Playground Equipment

This specification establishes minimum performance requirements for the impact attenuation of playground surfacing materials installed within the use zone of playground equipment. This is specific to surfacing used described in Specifications F1148, F1487, F1918, F1951, and F2075.

This specification establishes an impact attenuation performance criterion for playground surfacing materials; expressed as a critical fall height.

This specification establishes procedures for determining the critical fall height of playground surfacing materials under laboratory conditions. The laboratory test is mandatory for surfaces to conform to the requirements of this specification. The laboratory test required by this specification addresses the performance of dry surfacing materials.

The critical fall height of a playground surfacing material determined under laboratory conditions does not account for important factors that have the potential to influence the actual performance of installed surfacing materials. Factors that are known to affect surfacing material performance include but are not limited to aging, moisture, maintenance, exposure to temperature extremes (for example, freezing), exposure to ultraviolet light, contamination with other materials, compaction, loss of thickness, shrinkage, submersion in water, and so forth.

This specification also establishes a procedure for testing installed playground surfaces in order to determine whether an installed playground surface meets the specified performance criterion.



PLAYGROUND SAFETY SURFACING



RUBBER MULCH

Swing Kingdom rubber mulch is a uniquely processed rubber product designed specifically to protect children from falls on playgrounds. Rubber mulch surfaces have been proven to significantly decrease the incidence of fall-related playground injuries. Swing Kingdom rubber mulch requires minimal maintenance, dries quickly after rain, and will not freeze, compact, or decompose, making it the most cost-effective playground surface available. Swing Kingdom rubber mulch meets the latest CPSC safety guidelines, ASTM F-1951, and ASTM F-1292. Swing Kingdom rubber mulch is safe, fun and economical, and is so well manufactured that it's guaranteed to last a lifetime!



ARTIFICIAL PLAYGROUND TURF

Our playground turf is designed from the ground up for safety. It's fully certified by the International Play Equipment Manufacturer's Association (IPEMA). Combined with foam padding underlayment and infill, our system is the safest turf play surface available. Our high quality turf meets the required standards of ASTM.



POURED-IN-PLACE RUBBER

Poured-in-Place rubber surfacing by Swing Kingdom combines high tech polymer resins with rubber to create a resilient, non-skid surface that is virtually indestructible. Swing Kingdom rubber surfacing is professionally installed over your new or existing surface. This form of surfacing is available in many different colors to provide a safe, appealing look and feel.

For More Info About Surfacing See Pages 96 & 97



Playgrounds for children ages 2 to 5 have a main focus of ground play. They have short towers and lots of activities young kids will love exploring. Our tiny collection of commercial playsets are designed just for them.



COMMERCIAL



AGES 2-5

TINY ISLAND



DETAILS

Playset Size: 16' W x 13' D x 6' H

Space Needed: 28' W x 26' D

Border Needed: 108'

Recommended Amount of Rubber Mulch: 5 Tons

Towers: 8' x 8' Spiral w/ (4) Metal "U" Bracket Upgrades

Deck Height: 3'

Access: ADA Platform First Step

Slides: 6' Avalanche, 3' Sidewinder w/ Clear Section

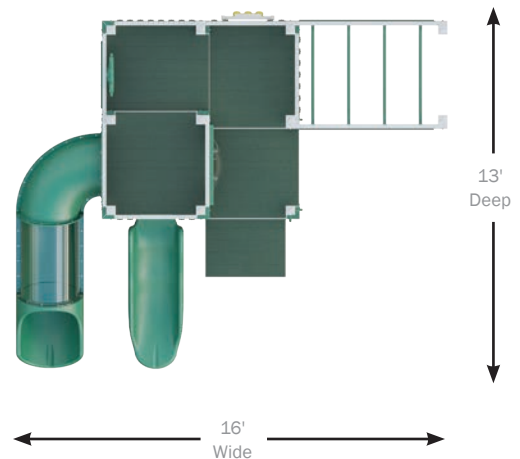
Climber: ADA Monkey Bar 6'

Fun Items: Ship's Wheel, Bubble Panel, Tic Tac Toe

Safety Options: (3) Hand Bars, Playground Safety Signs, Safety Labels

Anchors: 4

AERIAL VIEW



TINY FUN QUEST



DETAILS

Playset Size: 23' W x 15' D x 10' H

Space Needed: 36' W x 28' D

Border Needed: 128'

Recommended Amount of Rubber Mulch: 7 Tons

Towers: (2) 5' x 5' w/ (5) Metal "U" Bracket Upgrades

Deck Height: 3

Access: ADA Transfer Station, ADA Platform First Step,
3' x 5' Rock Wall w/ Rope

Roofs: (2) 5' x 5' Lean-To

Slides: (2) 6' Avalanche, 3' Tunnel Express

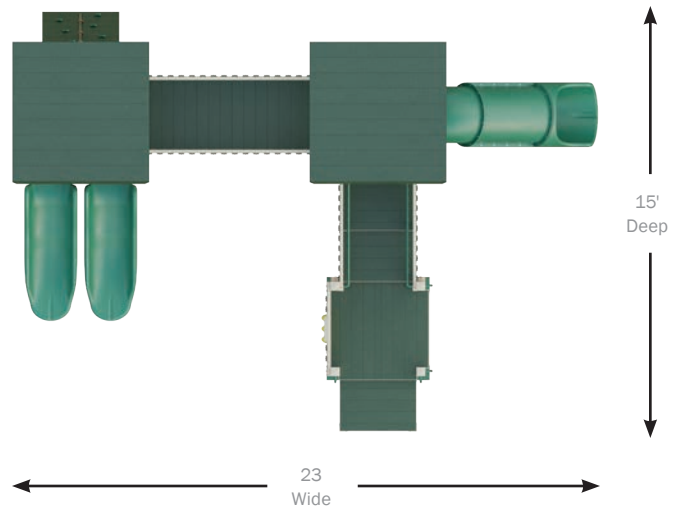
Fun Items: ABC/Sign Language Panel, Fire Truck Panel, Tic Tac Toe

Connector: 6'-6" Bridge w/ Railings

Safety Options: (4) Hand Bars, Playground Safety Signs, Safety Labels

Anchors: 6

AERIAL VIEW



TINY TOWN



DETAILS

Playset Size: 38' W x 25' D x 14' H

Space Needed: 50' W x 38' D

Border Needed: 176'

Recommended Amount of Rubber Mulch: 13 Tons

Towers: (2) 5' x 5', 5' x 9' w/ (7) Metal "U" Bracket Upgrades, (1) 39" Commercial Height Railing

Deck Heights: 3', 5'

Access: ADA Transfer Station, 3' Rung Ladder, 3' x 3' Rock Wall w/ Rope, 3' x 5' Rock Wall w/ Rope

Roofs: (3) 5' x 5' Pyramid w/ 1' Post Extensions

Slides: 3' Sidewinder, 10' Avalanche, (2) 6' Avalanche, 3' Tunnel Express

Climber: ADA Monkey Bar 6'

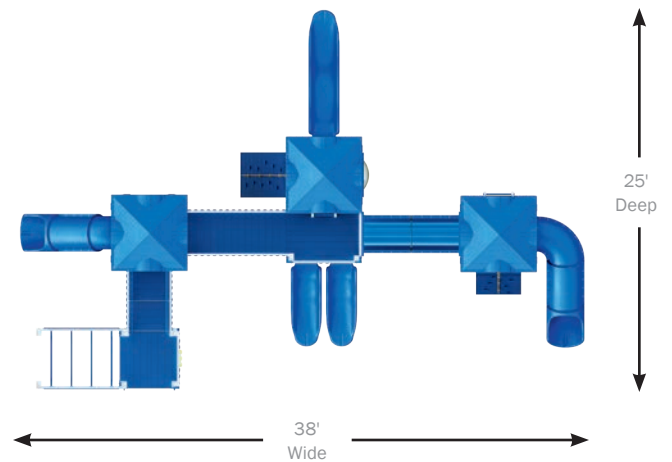
Fun Items: Bubble Panel, Fire Truck Panel, Tic Tac Toe

Connectors: 6'-6" Tower Tunnel w/ (2) Clear Sections, 6'-6" 3' wide Bridge w/ Railings

Safety Options: (4) Hand Bars, Playground Safety Signs, Safety Labels

Anchors: 8

AERIAL VIEW



TINY WONDERLAND



DETAILS

Playset Size: 37' W x 37' D x 12' H

Space Needed: 50' W x 50' D

Border Needed: 200'

Recommended Amount of Rubber Mulch: 17 Tons

Towers: (5) 5' x 5' w/ (8) Metal "U" Bracket Upgrades,
(1) 39" Commercial Height Railing

Deck Heights: 3', 5'

Access: (2) 3' Staircase, 3' x 3' Rock Wall w/ Rope, 3' x 5' Rock Wall w/ Rope, ADA Transfer Station, ADA Platform First Step

Roofs: (4) Poly Roof, 1 Roof has 1' Post Extensions

Slides: (2) 6' Avalanche, (2) 10' Avalanche, (2) 3' Sidewinders (1) with a Clear Section

Climber: ADA Monkey Bar 6'

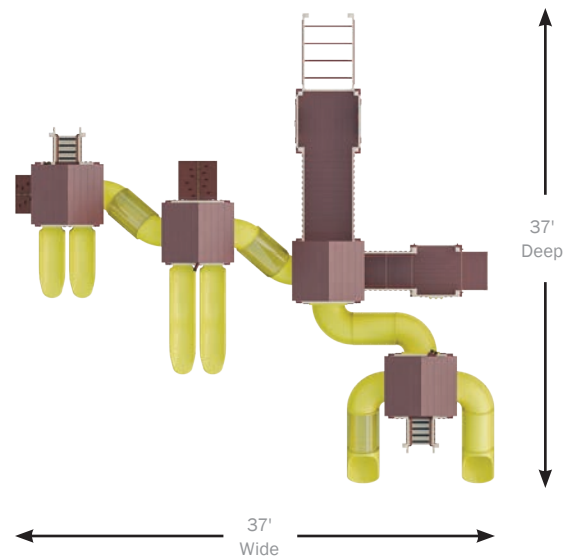
Fun Items: Telescope, Fire Truck Panel, Clock Panel, (2) Tic Tac Toe, Binoculars, 5' x 5' Picnic Table

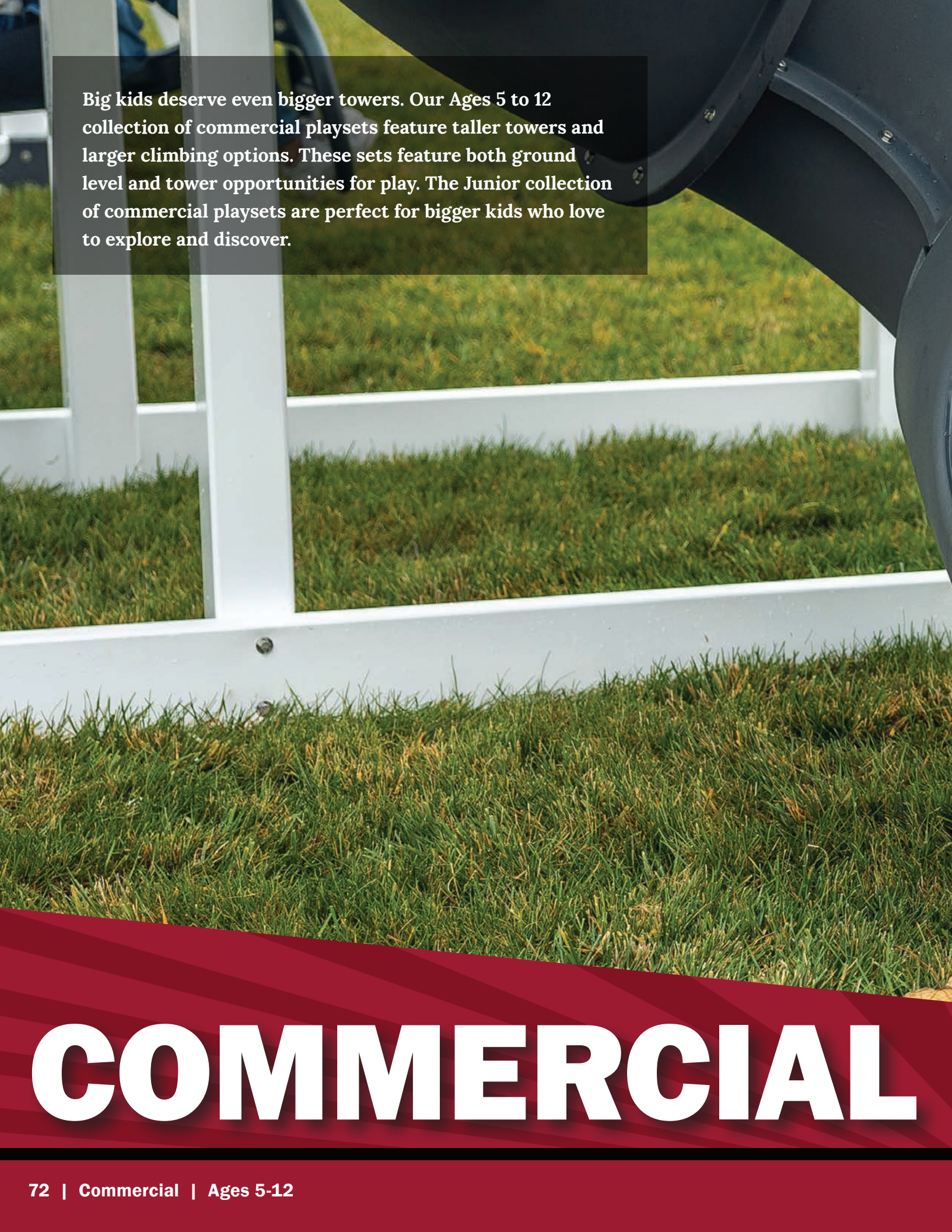
Connectors: (2) Slope Tower Tunnel w/ 1 Clear Section each, 6'-6" Bridge with Railing 36" wide, S-Tunnel

Safety Options: (6) Hand Bars, Playground Safety Signs, Safety Labels

Anchors: 14

AERIAL VIEW





Big kids deserve even bigger towers. Our Ages 5 to 12 collection of commercial playsets feature taller towers and larger climbing options. These sets feature both ground level and tower opportunities for play. The Junior collection of commercial playsets are perfect for bigger kids who love to explore and discover.

COMMERCIAL



AGES 5-12

JUNIOR CRUISER



DETAILS

Playset Size: 24' W x 27' D x 14' H

Space Needed: 38' W x 42' D

Border Needed: 160'

Recommended Amount of Rubber Mulch: 11 Tons

Towers: 5' x 5', 5' x 9' w/ (6) Metal "U" Bracket Upgrades,
(2) 39" Commercial Height Railing

Deck Heights: 3', 5', 7'

Access: ADA Transfer Station, ADA Platform First Step,
5' Tower Mounting Ladder, 3' x 7' Rock Wall w/ Rope,
5' x 7' Vertical Cargo Net

Roof: 5' x 5' Pyramid

Slides: 7' Turbo Twister w/ Support Post, 10' Avalanche,
3' Sidewinder

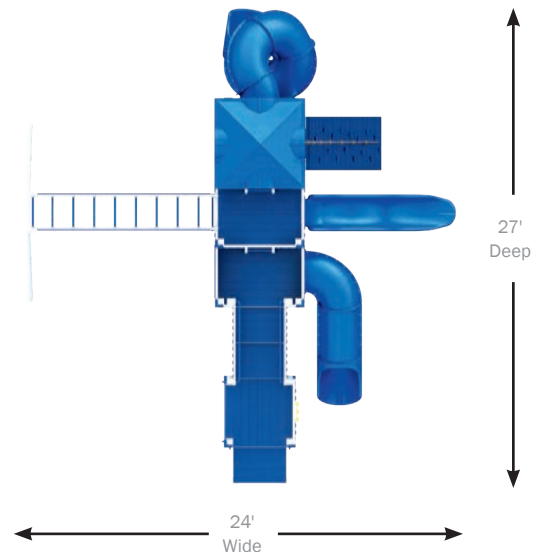
Swing Beam: 3 Position Climber 8' High

Fun Items: ABC/Sign Language Panel, Tic Tac Toe

Safety Options: (6) Hand Bars, Playground Safety Signs, Safety Labels

Anchors: 6

AERIAL VIEW



JUNIOR DREAMWEAVER



DETAILS

Playset Size: 30' W x 27' D x 14' H

Space Needed: 44' W x 42' D

Border Needed: 172'

Recommended Amount of Rubber Mulch: 13 Tons

Towers: (2) 5' x 9' w/ (7) Metal "U" Bracket Upgrades,
(3) 39" Commercial Height Railing

Deck Heights: 3', 5', 7'

Access: ADA Platform first step, ADA Transfer Station,
5' Tower Mounting Ladder, Staircase,
3' x 7' Rock Wall w/ Rope

Roofs: (2) Poly Roof

Slides: 3' Tunnel Express, 10' Avalanche, 7' Turbo Twister
w/ Support Post

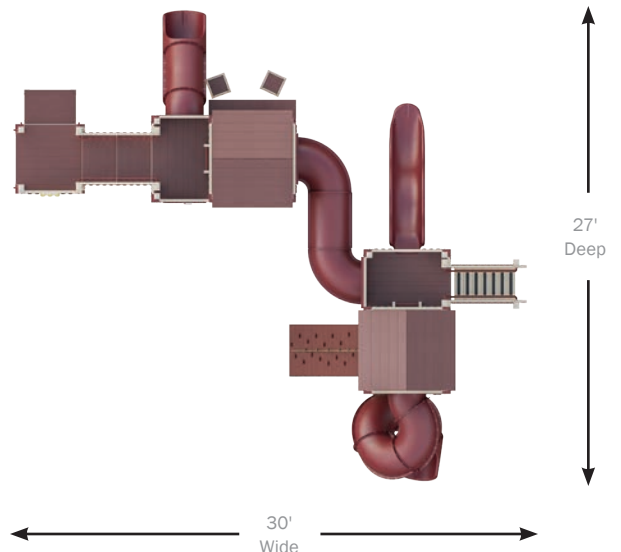
Fun Items: (2) Tic Tac Toe, Clock Panel, ABC/Sign Language Panel,
5' x 5' Picnic Table, 2' x 5' Lemonade Stand w/ (2) Stools

Connector: S-Tunnel

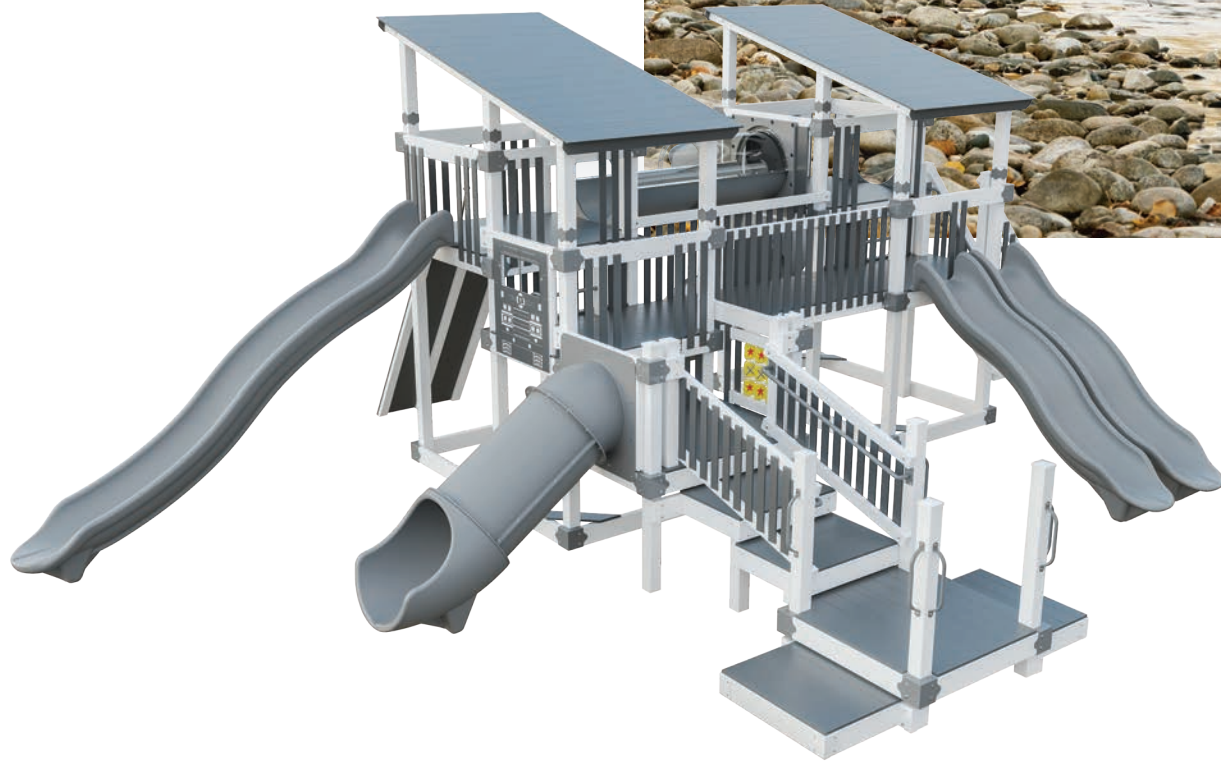
Safety Options: (4) Hand Bars, Playground Safety Signs, Safety Labels

Anchors: 6

AERIAL VIEW



JUNIOR RACE DUO



DETAILS

Playset Size: 33' W x 25' D x 13' H

Space Needed: 48' W x 40' D

Border Needed: 176'

Recommended Amount of Rubber Mulch: 13 Tons

Towers: (2) 5' x 9', 5' x 5' w/ (8) Metal "U" Bracket Upgrades, (5) 39" Commercial Height

Deck Heights: 3', 5', 7'

Access: (2) ADA Platform First Step, ADA Transfer Station, 3' x 7' Rock Wall w/ Rope, 5' Staircase

Roofs: (2) Double Lean-To

Slides: 7' Turbo Twister w/ Support Post, (2) 10' Avalanche, 14' Avalanche, 3' Tunnel Express

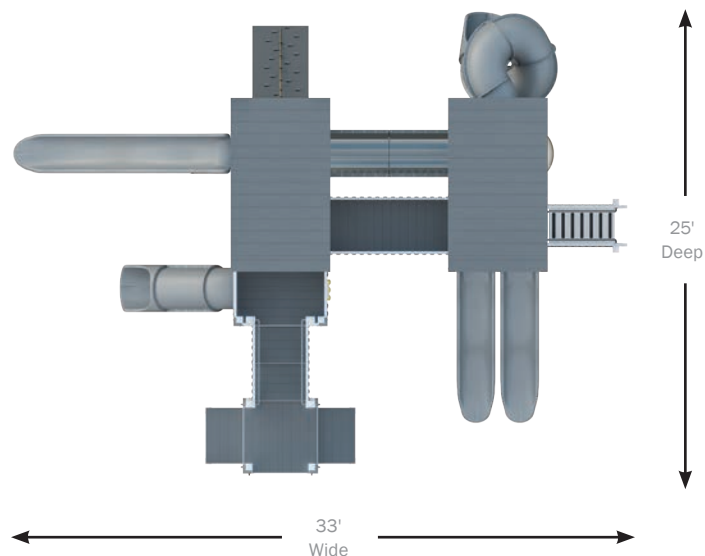
Fun Items: Fire Truck Panel, Tic Tac Toe, Bubble Panel

Connectors: 6'-6" Tower Tunnel w/ (2) Clear Sections, 6'-6" Bridge with Railing 36" Wide

Safety Options: (6) Hand Bars, Playground Safety Signs, Safety Labels

Anchors: 6

AERIAL VIEW





JUNIOR POWER PLAY



DETAILS

Playset Size: 45' W x 25' D x 14' H

Space Needed: 60' W x 40' D

Border Needed: 200'

Recommended Amount of Rubber Mulch: 16 Tons

Towers: (2) 5' x 9', 7.5' x 7.5' w/ (8) Metal "U" Bracket Upgrades, (5) 39" Commercial Height Railing

Deck Heights: 3', 5', 7'

Access: ADA Platform First Step, ADA Transfer Station, 3' x 3' Rock Wall w/ Rope, 4' x 5' Commercial Cargo Net, 3' x 7' Rock Wall w/ Rope, 5' Staircase, 5' x 5' Vertical Rock Wall

Roofs: Hexagon, (2) Poly Roof

Slides: 5' Sidewinder, (2) 10' Avalanche, 7' Turbo Twister w/ Support Post, 5' Angled Slide

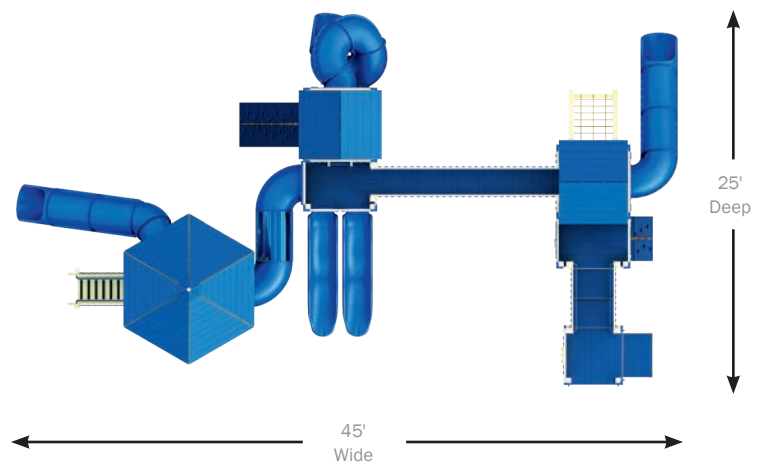
Fun Items: Bubble Panel, 5' x 5' Picnic Table, ABC/Sign Language Panel, Clock Panel, Tic Tac Toe

Connectors: 9'-9" Bridge with Railings, S-Tunnel w/ Clear Section

Safety Options: (6) Hand Bars, Playground Safety Signs, Safety Labels


Anchors: 8

AERIAL VIEW



45'
Wide

25'
Deep

A child's legs in blue jeans and sneakers are shown stepping on a green play structure platform. The background is a blurred outdoor setting with trees and a clear sky. The play structure consists of vertical green posts and a horizontal platform.

The best way to play is together! Our commercial playsets designed for kids ages 2 to 12 are the largest. With the most options for play, kids will spend hours interacting with each and every activity. These mighty playsets are the best way to have kids of all ages and abilities to come together and play with each other. Add a metal swing frame to any of these options for even more fun!

COMMERCIAL



AGES 2-12

MIGHTY ESCAPE



DETAILS

Playset Size: 39' W x 37' D x 13' H

Space Needed: 54' W x 52' D

Border Needed: 212'

Recommended Amount of Rubber Mulch: 19 Tons

Towers: (3) 5' x 9' w/ (12) Metal "U" Brackets Upgrades,
(5) 39" Commercial Height Railing

Deck Heights: 3', 5', 7'

Access: (2) ADA Platform First Step, (2) ADA Transfer Station,
3' x 7' Rock Wall w/ Rope, 3' x 5' Rock Wall w/ Rope

Roofs: (2) 5' x 5' Poly, (2) Pergola

Slides: (2) 3' Tunnel Express, 10' Avalanche, 7' Turbo Twister
w/ Support Post, 5' Sidewinder

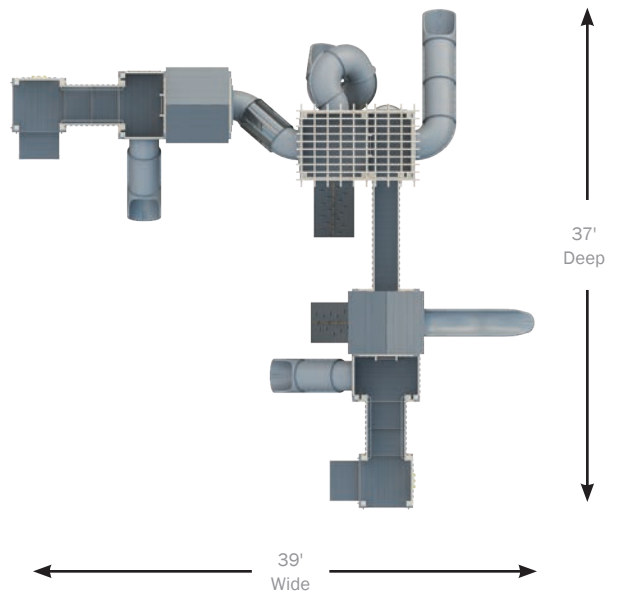
Fun Items: (2) Tic Tac Toe, ABC/Sign Language Panel,
5' x 5' Picnic Table

Connectors: Slope Tunnel w/ Clear Section, 8' Bridge w/ Railings

Safety Options: (8) Hand Bars, Playground Safety Signs, Safety Labels

Anchors: 10

AERIAL VIEW



MIGHTY JOURNEY



DETAILS

Playset Size: 55' W x 36' D x 15' H

Space Needed: 70' W x 50' D

Border Needed: 240'

Recommended Amount of Rubber Mulch: 24 Tons

Towers: (4) 7.5' x 7.5' w/ (5) Metal "U" Bracket Upgrades,
(4) 39" Commercial Height Railing

Deck Heights: 1', 2', 3', 5', 7'

Access: (5) 16' Ramps, 5' Staircase, 3' x 3' Rock Wall w/ Rope,
3' x 5' Rock Wall w/ Rope, 3' x 7' Rock Wall w/ Rope

Roofs: (4) Hexagon

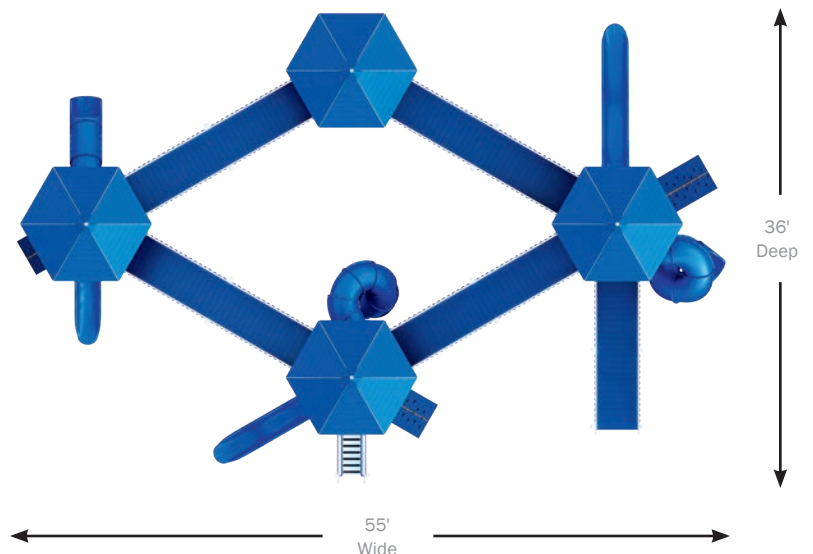
Slides: 7' Turbo Twister w/ Support Post, 5' Turbo Twister,
10' Avalanche, 3' Tunnel Express, 14' Avalanche,
6' Avalanche

Fun Items: (2) Bubble Panel, Tic Tac Toe, Fire Truck Panel,
Marble Wheel, Maze Panel

Safety Options: Playground Safety Signs, Safety Labels

Anchors: 10

AERIAL VIEW



55'
Wide

36'
Deep

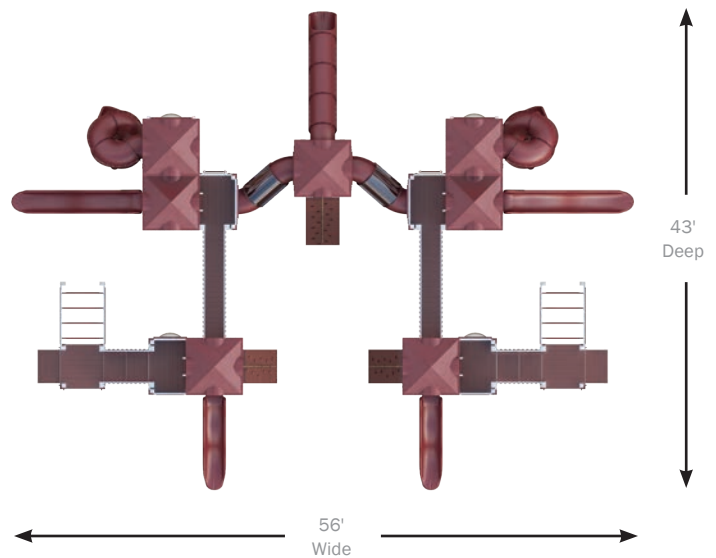
MIGHTY EXPEDITION



DETAILS

- Playset Size:** 56' W x 43' D x 16' H
- Space Needed:** 72' W x 60' D
- Border Needed:** 264'
- Recommended Amount of Rubber Mulch:** 29 Tons
- Towers:** (4) 5' x 9', 5' x 5'; (2) Jungle Bar w/ (17) Metal "U" Bracket Upgrades, (11) 39" Commercial Height Railing
- Deck Heights:** 3', 5', 7', 9'
- Access:** (2) ADA Platform First Step, (2) ADA Transfer Station, (2) 3' x 5' Rock Wall w/ Rope, 3' x 7' Rock Wall w/ Rope, (2) 5' Tower Mounting Ladder
- Roofs:** (7) Pyramid
- Slides:** (2) 9' Turbo Twister w/ Support Posts, (2) 14' Avalanche, (2) 10' Avalanche, 7' Tunnel Express
- Swing Beam:** (2) ADA Monkey Bar 6'
- Fun Items:** (2) ABC/Sign Language Panel, (4) Bubble Panel
- Connectors:** (2) 9'-9" Bridge w/ Railing, (2) Slope Tunnel w/ 1 Clear Section each
- Safety Options:** (12) Hand Bars, Playground Safety Signs, Safety Labels
- Anchors:** 14

AERIAL VIEW





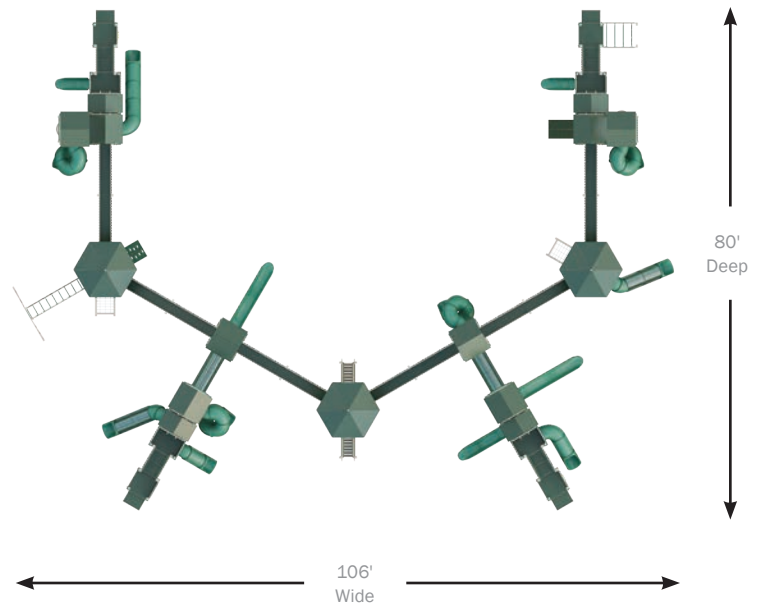
MIGHTY ADVENTURE



DETAILS

- Playset Size:** 106' W x 80' D x 18' H
- Space Needed:** 122' W x 96' D
- Border Needed:** 436'
- Recommended Amount of Rubber Mulch:** 78 Tons
- Towers:** (3) 7.5' x 7.5', (4) 5' x 9', (5) 5' x 5', (2) Jungle Bar w/ (27) Metal "U" Bracket Upgrades, (21) 39" Commercial Height Railing
- Deck Heights:** 3', 5', 7', 9'
- Access:** (4) ADA Platform First Step, (4) ADA Transfer Station, (2) 5' Staircase, (2) 4' x 5' Commercial Cargo Net, 5' Bear Paw Climber, 5' Tower Mounting Ladder
- Roofs:** (3) Hexagon, (12) Poly Roof
- Slides:** (2) 9' Turbo Twister w/ Support Post, (2) 6' Avalanche, 7' Sidewinder w/ Support Post, (2) 14' Avalanche, (2) 7' Turbo Twister w/ Support Post, 3' Tunnel Express, 3' Sidewinder, 10' Avalanche, 5' Angle w/ (2) Clear Sections
- Swing Beams:** 2 Position Monkey Bar 8', ADA Monkey Bar 6'
- Fun Items:** (2) Tic Tac Toe, (2) ABC/Sign Language Panel, Clock Panel, (2) Fire Truck Panel, (2) Bubble Panel
- Connectors:** (6) 16' Bridge w/ Railings, (2) 6'-6" Tower Tunnel w/ (2) Clear Sections Each
- Safety Options:** (12) Hand Bars, Playground Safety Signs, Safety Labels
- Anchors:** 20

AERIAL VIEW



3D DESIGN CENTER

When it comes to a Swing Kingdom playset, there is nothing “cookie-cutter” about it. Every one of our vinyl playsets can be customized. Simply pick one of our playset designs and customize it to fit your vision!

Help design your family’s unique playset. It’s fast and easy. Simply follow the steps below to begin customizing your next big adventure. Click on the balloons to add and remove play features.



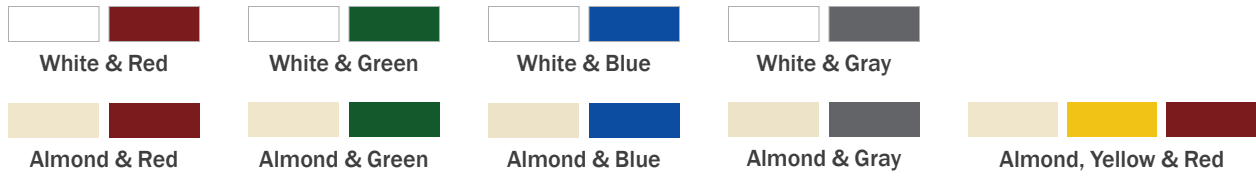
5 EASY STEPS

- 1 Visit the Design Center on our website to start building.
- 2 Use the balloons to add, remove or change products, and customize your ultimate playset.
- 3 Save your design and request a quote from our knowledgeable team.
- 4 Order your dream playset today.
- 5 Start PLAYING!

YOUR KINGDOM STARTS HERE!

COLOR OPTIONS

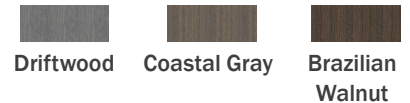
STANDARD



PREMIUM (Up-charge)



PREMIUM DECKING



TOWER OPTIONS



Basecamp 22



Basecamp 35



Basecamp 44



Basecamp 55



Super 48



Super 59



Super 59
w/ Jungle Bar



Basecamp 77



Climber 35



Climber 55



Mega Climber 55



Mega Climber 55 Deluxe

PLAYHOUSE OPTIONS



Kingdom Lodge*
6' x 9' Stand Alone w/ Porch
or 6' x 9' Tower w/ Porch



Kingdom Lodge Deluxe*
9' x 9' Tower w/ 2 Porches or
9' x 9' Stand Alone w/ 2 Porches

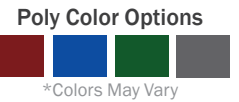


Alpine*
6' x 12'



Ark
8' x 19'
(Standard Base Color Tan)

*All Poly Playhouses are only available with poly walls and a black roof.



6' x 8' Cabin Tower



8' x 9' Cabin Deluxe Tower
w/ (2) 3' x 8' Porches



8' x 8' Cottage
w/ 4' x 8' Porch

VINYL SIDING COLORS



White



Almond

* Colors May Vary



Chestnut
Wood Grain

SHINGLE COLORS



Weatherwood



Black



Blue



Tan

ACCESS OPTIONS & CONNECTORS



Tower Mounting Ladder



5' or 7' Access Ladder
w/ Access Railing & Non-Skid Strips



12' Ramp w/ Rope
(Also Available w/ Railings)



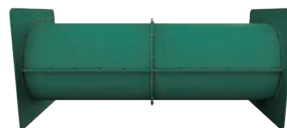
Staircase w/ Railing



Bridge with Rails
6'-6", 8', 9'-9"



Bridge with Rope
6'-6", 8', 9'-9"



Tower Tunnel
6'-6" or 9'-9"



"S" Tower Tunnel

ROOF STYLES



Canvas Roof
3' x 5' or 5' x 5'



Poly Roof
4' x 4' or 5' x 5'



Double Poly Roof
5' x 9'



Gable Roof
4' x 4' or 5' x 5'



Lean-To Roof
4' x 4' or 5' x 5'



Double Lean-To Roof
4' x 8' or 5' x 9'



Pyramid Roof
4' x 4' or 5' x 5'



Pergola Roof
4' x 4' or 5' x 5'
(Only Available in White or Almond)

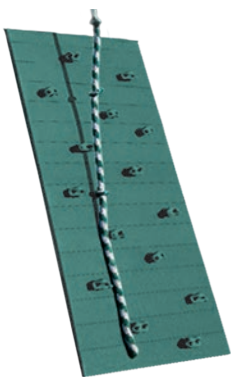


Double Pergola Roof
5' x 9'
(Only Available in White or Almond)



Hexagon Roof
(Only available for Hexagon Tower)

CLIMBER OPTIONS



Rock Wall
3' x 7'



Rock Wall
3' x 5'



Cargo Net
4' x 5'



Bear Paw Climber
3' x 5'



Warp Wall
8', 10', & 12'



SWING BEAM OPTIONS



2 Position Single Beam
8' Long
(Also Available in Single High Beam)



3 Position Single Beam
10' - 6" Long
(Also Available in Single High Beam)



4 Position Single Beam
14' Long
(Also Available in Single High Beam)



2 Position Climber Beam
8' Long



3 Position Climber Beam
10' - 6" Long



4 Position Climber Beam
14' Long



3 Position Arched Beam
14' Long
(Must Attach Between Two Towers)

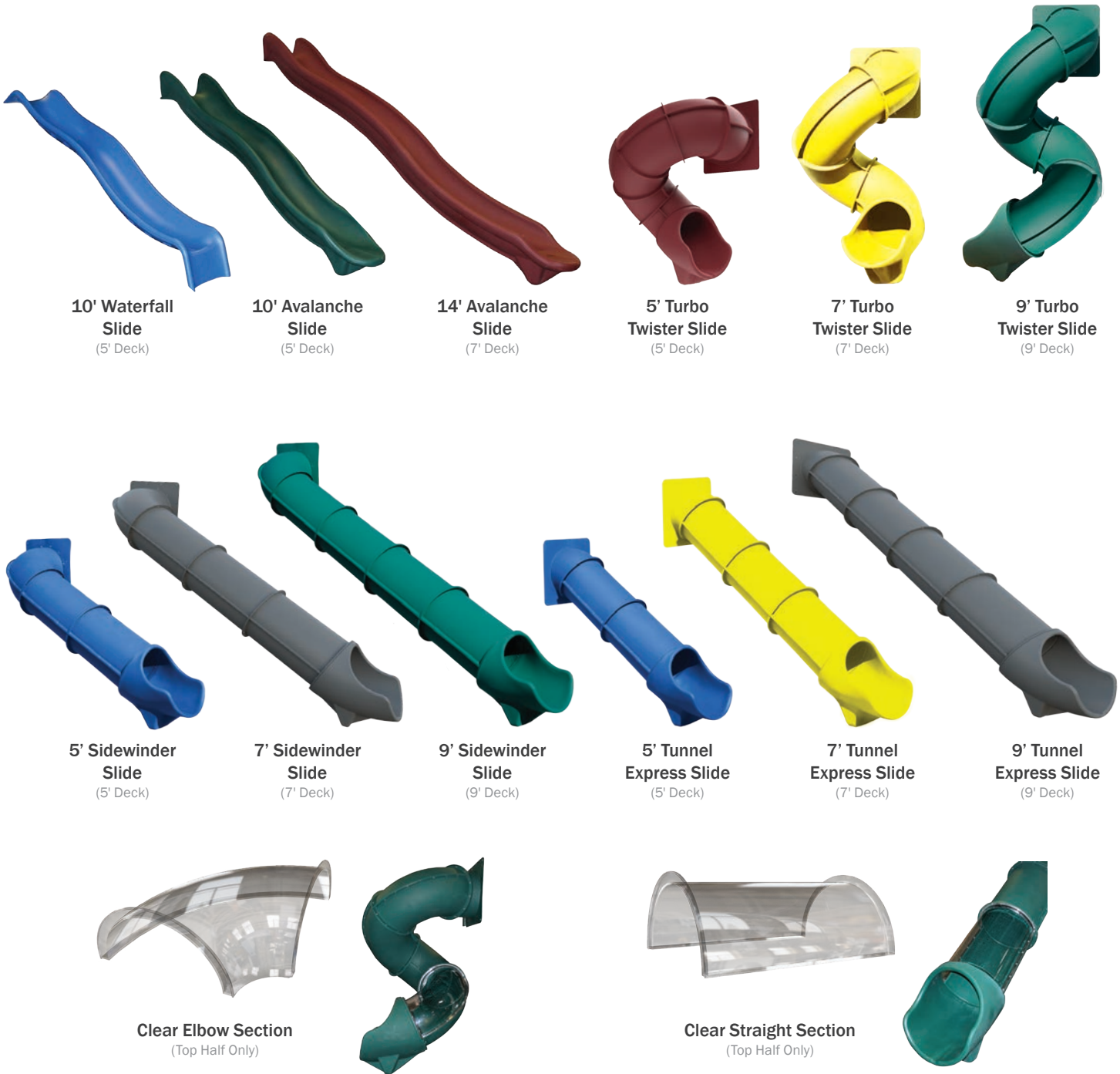


32" x 36" Lookout
(Add to Any Climber Beam)



2 Position Cross Beam
(Only Available on a 5' x 5' Tower)

SLIDES



10' Waterfall Slide
(5' Deck)

10' Avalanche Slide
(5' Deck)

14' Avalanche Slide
(7' Deck)

5' Turbo Twister Slide
(5' Deck)

7' Turbo Twister Slide
(7' Deck)

9' Turbo Twister Slide
(9' Deck)

5' Sidewinder Slide
(5' Deck)

7' Sidewinder Slide
(7' Deck)

9' Sidewinder Slide
(9' Deck)

5' Tunnel Express Slide
(5' Deck)

7' Tunnel Express Slide
(7' Deck)

9' Tunnel Express Slide
(9' Deck)

Clear Elbow Section
(Top Half Only)

Clear Straight Section
(Top Half Only)

All Slides Available In:



SWINGS



Belt Swing



Bubba Swing



Trapeze



Cyclone Disc



Adaptive Swing



Hammock Swing



Surf Swing



Web Swing



Rubber Infant Swing



Baby Swing



4-Point Swing Adapter





Buoy Ball



Trapeze Buoy Ball Combo



Uni Rider



Dual Rider



2-Rope Tire Swing



Tire Swing Ropes



3-Rope Tire Swing w/ Swivel



Tire Swing Ropes



4-Rope Tire Swing



Tire Swing Ropes



QB Challenge



Net Colors

FUN ITEMS



Megaphone



Binoculars



Spotlight



Telescope



Steering Wheel



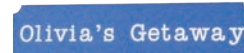
Ship's Wheel



Bubble Panel



Bubble Tunnel



Custom Name Plate



Custom Sign



Clubhouse Walls



5'w x 5'h | 5'w x 7'h
(Must Have Lower Decking)



Tic-Tac-Toe



Picnic Table



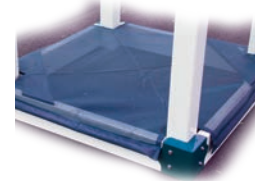
4' x 4', 4' x 5' | 5' x 5', 5' x 6'



Lemonade Stand



2' x 4' | 2' x 5' | 2' x 6'
(Includes 2 Stools)



Sandbox Cover



3' x 5' | 4' x 4' | 4' x 8' | 5' x 5' | 5' x 9'
6' x 8' | 6' x 9' | 8' x 9' | 9' x 9'



Water Cannon



Water Slide Adapter



Swing Beam
Water Mister

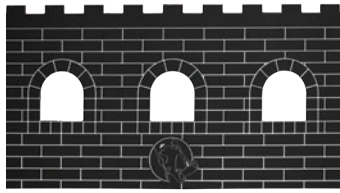


Buzzer Beater Hoops



Fanny Pad 24" x 38"





Castle Wall



Checkers Game Table



Kingdom Konnect 5



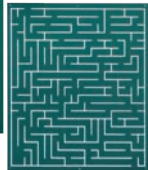
Fire Pole

5' or 7' Deck

(Front)



(Back)



Maze 1 Activity Panel



(36" x 30")

(Front)



(Back)



Maze 2 Activity Panel



(36" x 30")

(Front)



(Back)



ABC & Sign Language Activity Panel



(36" x 30")



Marble Wheel

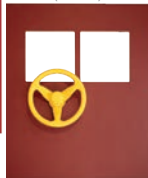


(36" x 30")

(Front)



(Back)



Fire Truck Activity Panel



(36" x 30")

(Front)



(Back)



Police Car Activity Panel



(36" x 30")

(Front)



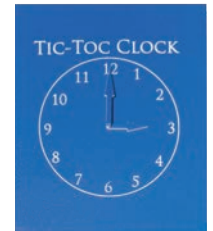
(Back)



Adventure Jeep Activity Panel



(36" x 30")



Clock Activity Panel



(36" x 30")

COMMERCIAL ADD-ON ITEMS



ADA ACTIVITY CUBE

Ages: 2-12

The ADA Activity Cube is both interactive and environmental. Kids can interact with the panel on all sides. Perfect for an ADA addition to playgrounds with limited space available.

Overall Dimensions: 30" Wide x 31" Deep

Weight: 150 lbs.

Top: Checkers Board

Sides: Sign Language, Clock, Square Maze, Hexagon Maze



WHEELCHAIR SWING

Ages: 2-12

This ADA Wheelchair swing allows for a wheelchair bound child to experience the joy of swinging without leaving the comfort of their chair. This option can only be attached to a Commercial Metal Swing Frame.

Overall Dimensions: 12' Wide x 4' Deep x 8' High



METAL SWING FRAME

Ages: 2-12

Commercial Metal Swing Frames are recommended for all commercial playgrounds that want to have a swingset area. These frames are metal and are installed using concrete footers to eliminate swaying.

Choose from different colors, styles and lengths of commercial swing frames.



DREAM CENTER

Ages: 2-5

The Dream Center activity area is the perfect addition to any commercial playground. This ADA play center is full of ground level play options for children of all abilities.

Overall Dimensions: 10' Wide x 19' Deep x 4' High

Fun Items: 6'-6" Tower Tunnel, 2' x 5' Lemonade Stand with (2) Stools, Clock Panel, Bubble Panel



ADA TRANSFER STATION

Ages: 2-12

Our ADA transfer station can be added to most playsets. This allows access for wheelchair bound children to slide off their chair onto the platform and find their way to lots of fun. The metal powder coated hand bars and handrails make it easier for all to climb to new fun.



ADA WHEELCHAIR RAMP

Ages: 2-12

These ADA ramps are the perfect addition for playgrounds. These ramps make it easier for wheelchair bound children to transfer from surface to surface. ADA ramps can provide an accessible path from the edge of the playground to the play equipment. These ramps can also attach to our commercial grade borders.

Size: 60" Long x 42" Wide

FINISHING TOUCHES

SAFETY OPTIONS



Hand Bar



MC Handrail



Access Railing



Lower Deck Railing

LANDSCAPE BORDERS



Standard Style Border (Brown) 4'L x 6"H



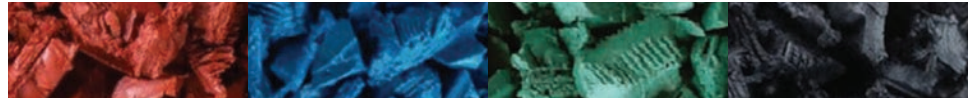
Commercial Border (Black) 4'4"L
8" or 12" High



Flexwall Border 4'L x 6"H
Greystone | Sandstone | Cobblestone

RUBBER MULCH

1 ton of Rubber Mulch covers 300 square feet at 3" depth.



Red

Blue

Green

Black

Swing Kingdom rubber mulch can provide extra shock absorption for when kids fall or stumble while at play. With proper installation and adequate depth, a rubber mulch surface will give up to 10 feet of critical fall height protection. It can cushion many mishaps and help your child avoid fractures, brain trauma, and other playground-related injuries.

Swing Kingdom rubber mulch has been proven time and again to be the best rubber playground mulch and protective surfacing.

Features/Benefits:

- Unmatched shock absorbency
- Significant reduction of playground injuries – creates safer playgrounds
- Non-toxic
- Minimal maintenance
- Will not attract insects or rodents
- Stands up to extreme weather conditions
- Exceptional longevity
- Won't stain kids' clothing, skin, or hair
- Cost-effective long-term option to other playground infills
- Recommended by the Consumer Product Safety Commission to use as a playground surface
- Up to 60% savings versus ordinary engineered wood fiber or wood mulch in playground application over time
- Requires up to 50% less material than wood mulch
- Rubber mulch does not float, absorb water, or blow away
- All our rubber mulch is are proudly made in the USA, and is GSA, ASTM, and IPEMA certified

ARTIFICIAL PLAYGROUND TURF



Features & Benefits:

- Drains quickly after rainfall for quicker return to play
- Natural look and feel provides visual appeal
- Low maintenance — No watering or mowing
- Cooler surface temperature compared to other surfacing
- Does not hide dangerous foreign objects
- Does not get in the eyes, mouths or hair of children
- Does not scatter onto walkways and cause tripping or slipping hazards
- Maintain a uniform impact resistance even in high traffic areas – Does not get displaced like loose fill surfacing options
- Maintain effectiveness even in high humidity and cold temperature
- Does not support microbial growth — Can even include an antimicrobial infill for an added level of protection against bacteria, mold and mildew

TURF CUSHION



Features & Benefits:

- Meets ASTM F1292 requirements for up to a 12' fall height
- Reduces allergic reactions caused by grass
- Dries quickly, allowing children to play immediately following rain
- Consistent HIC safety ratings
- Eliminates constant maintenance of loose fill surfacing

FREE STANDING SWING SETS



Fan Back Lawn Swing Set
190" Wide x 48" Deep x 45" High



Free Standing Swing Frame
11' Wide x 9' Deep x 8' High

*Standard Color Options Available

WE WANT TO THANK YOU!

Thank you for choosing Swing Kingdom playsets to enhance your backyard and provide your children with the safest playset possible. We're sure you'll appreciate the value and convenience of a non-splintering, low maintenance playset that your children will enjoy for years. Our goal is to provide unmatched safety and comfort in an innovative playset design that encourages active play. Unlike wood, our vinyl playsets will remain smooth to the touch. The innovative poly decking is non-splintering, making it safe to play on day after day. The nontoxic, nonabsorbent vinyl material does not require the maintenance time and harsh chemical treatments that are necessary for wooden playsets. In addition, we use stainless steel hardware for extra strength.

We value your business. As a Swing Kingdom customer, you can always expect an excellent product along with the very best service we can provide! Thank you for joining the thousands of customers across the nation who chose Swing Kingdom.

- The SK Team



SWING KINGDOM WARRANTY

Swing Kingdom offers an extensive Limited Lifetime Warranty on your backyard playset. Scan here to visit our website for more details, or contact your local sales representative.

Please note that the product colors, availability, and specific details showcased in our print catalog are subject to change without prior notice. For safety and comfort reasons, Swing Kingdom reserves the right to make design and construction changes without notice. Please contact us for more details.

BUILD I

**“The monkey bars
don’t hurt my
hands anymore.”**

Elijah, Age 8

**“We don’t get blisters
or splinters because
it’s not wood.”**

LeBron, Age 8

ING ADVENTURE

**“It’s almost like
real rock climbing.”**

Starlyn, Age 8

**“We love the
swirly slides.”**

Ana, Age 6

**“This (playground) is better
than I could imagine. They
play hide and seek.”**

Diane Hurst, Principal,
Linville Hill Christian School, Paradise, PA

NATIONWIDE!

 = 1 of the Thousands of Swing Kingdom Playsets in Back Yards Like Yours!



Swing Kingdom

MIGHTY PLAYSETS. SERIOUS FUN.

CONTACT US AT:

CONNECT WITH US ON:



©2024 Swing Kingdom, LLC. All rights reserved.

No part of this catalog may be reproduced in any form without the prior expressed written authorization of Swing Kingdom, LLC.