

Dual Hitch Extension

Model Number: 70601

- 4000 Lb Gross Trailer Weight
- 400 Lb Combined Tongue Weight



This Instruction Sheet contains **IMPORTANT** safety information. Please read and keep for future reference.

For assistance with this product or to order replacement parts, please contact:



Cequent Consumer Products, Inc.
29000-2 Aurora Road
Solon, OH 44139
Technical Service: (800) 234-6992
www.cequentconsumerproducts.com

Date of Purchase: _____

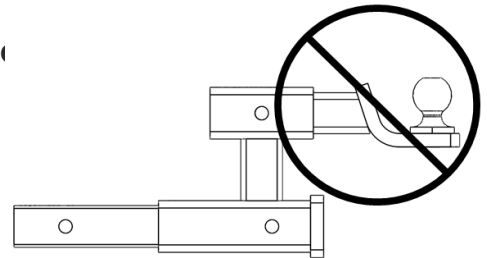
⚠️ WARNING

READ and FOLLOW all instructions and safety messages before using the Dual Hitch Extension.

To reduce the risk of serious injury or death to you, your passengers, and others on the road:

- **INSPECT** for signs of wear, rust and damage **BEFORE** each use. If damaged, **DO NOT** use.

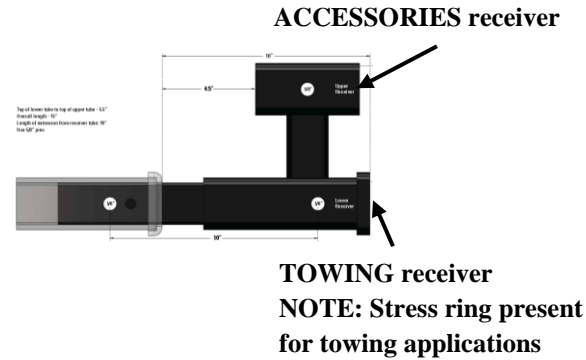
- **NEVER** tow using the **ACCESSORIES Receiver**. Only use this receiver for non - towing accessories (bike racks, cargo trays, etc.) The Dual Hitch Extension should be installed with the **ACCESSORIES Receiver** in an upright position.



- **DO NOT EXCEED** a gross trailer weight of 4000 lb. **OR** a combined tongue weight of 400 lb. The combined tongue weight includes trailer tongue weight and the weight of the accessories.
- **DO NOT** exceed your vehicle manufacturer's recommended towing capacity. Consult the owner's manual for your vehicle.
- **DO NOT** use with weight distribution system.
- **DO NOT** attempt to cut, weld, or modify the Dual Hitch Extension.
- **DO NOT** use more than one extension.
- **INSPECT** your vehicle and trailer connections at each stop.

Installation Instructions

- !** NEVER tow using the ACCESSORIES Receiver. Only use this receiver for non-towing accessories (bike racks, cargo trays, etc.). The Dual Hitch Extension should be installed with the ACCESSORIES Receiver in an upright position.



- !** DO NOT EXCEED a gross trailer weight of 4000 lb. OR a combined tongue weight of 400 lb. The combined tongue weight includes trailer tongue weight and the weight of the accessories.
- !** DO NOT exceed your vehicle manufacturer's recommended towing capacity. Consult the owner's manual for your vehicle.
- !** DO NOT use more than one extension.

No tools are required for installation of the Dual Hitch Extension.

When installing the Dual Hitch Extension, check there is sufficient clearance between the tow vehicle, tongue, ground and/or any other mounted accessories while the vehicle is stationary or may occur when driving. The Dual Hitch Extension should be installed with the ACCESSORIES Receiver in an upright position. A ball mount bar is used in the rise position may cause interference.

Check for interference again after installation is complete.

While Towing

!WARNING

To reduce the risk of serious injury or death to you, your passengers, and others on the road:

- **REDUCE YOUR SPEED.** Slow down when towing. **ALWAYS** obey all posted speed limits and be aware of traffic conditions.
- **INSPECT your vehicle and trailer connections at each stop.**

THIS WARNING IS GIVEN IN COMPLIANCE WITH CALIFORNIA PROPOSITION 65

WARNING: This product contains chemicals known to the state of California to cause cancer birth defects or other reproductive harm.

REESE One (1) Year Limited Warranty

- 1. Warranty.** Cequent Consumer Products, Inc. warrants to the original consumer purchaser ("You") that the Product will be free from defects in material or workmanship for one year from the date of your retail purchase. Cequent Consumer Products, Inc. makes no other warranties. If the Product does not comply with the Warranty, Cequent Consumer Products, Inc. will replace the Product without charge and within a reasonable time or, at Cequent Consumer Products, Inc. option, otherwise refund the purchase price.
- 2. Limitations on the Warranty.** The Warranty does not cover the following: (a) normal wear and tear; (b) service or labor charges incurred in removing or replacing any Product; (c) the finish on the Product; (d) a Product that has been damaged through abuse, neglect, misuse or as a result of any accident or in any other manner; (e) a Product which is misapplied, overloaded, or improperly installed; and (f) a Product altered in any manner by anyone other than Cequent Consumer Products, Inc.
- 3. Obligations of Purchaser.** To obtain the benefits of the Warranty, You must promptly present the defective Product and proof of purchase to Cequent Consumer Products Inc., 29000-2 Aurora Road, Solon, Ohio 44139 or any of its branches, factories, or authorized dealers listed in local directories. Any returned Product that is replaced or refunded becomes the property of Cequent Consumer Products, Inc.
- 4. Legal Rights.** This Warranty gives You specific legal rights, and You also may have other rights which vary from state to state. ANY IMPLIED WARRANTY OF MERCHANTABILITY OR FITNESS FOR A PARTICULAR PURPOSE ON ANY PRODUCT SHALL BE LIMITED TO ONE YEAR FROM THE DATE OF RETAIL PURCHASE BY YOU. Some states do not allow limitations on how long an implied warranty lasts, so the above limitation may not apply to You.
- 5. Remedy Limits.** Replacement of the Product or refund in the manner provided above is Your exclusive remedy and shall constitute fulfillment of all liabilities of Cequent Consumer Products, Inc. to You whether based on contract or otherwise. Cequent Consumer Products, Inc. shall not be liable or assume responsibility for the loss of the use of any vehicle, loss of time, rental of vehicles, loss or damage to personal property, expenses such as gasoline, telephone, lodging, or towing, or any other incidental or consequential damages incurred as a result of the use or ownership of any Product. Some states do not allow the exclusion or limitation of incidental or consequential damages, so the above limitation or exclusion may not apply to You. Any of the above remedy limitations shall be inoperative to the extent they are not permitted by applicable state law.

The proper attachment of this product in accordance with the enclosed instructions is critical to its proper performance. Cequent Consumer Products, Inc. has no control over, or responsibility for, the attachment or the installation. Cequent Consumer Products, Inc. is NOT responsible nor will be held liable for any damage resulting from its attachment or improper use. Cequent Consumer Products, Inc. shall not be liable for any claims of any kind greater than the purchase price of the product. Warranty information available at www.trimascorp.com/terms.



Cequent Consumer Products, Inc.
29000-2 Aurora Road
Solon, OH 44139
Technical Service: (800) 234-6992
www.cequentconsumerproducts.com