



002302-001-70

FALCON[®]

INSTRUCTIONS FOR REVERSING HAND OF M-SERIES MORTISE LOCKS

If it is necessary to reverse the hand of a Falcon M-Series Mortise lock, it is quickly and easily accomplished by the following steps.

NOTE:

If the lock has a dead bolt, it must be in the retracted position when reversing hand.

1. REMOVE COVER

Remove the 4 Cover fastening Screws and slowly lift off cover from case.

2. REVERSE LATCH BOLT ASSEMBLY

A. Lift out Cylinder Retract Lever, if included.

B. Lift out Upper Retract Arm, if included.

C. Compress Latch Bolt Spring toward Face Plate to clear Latch Bolt Guide seat. Lift out and invert Latch Bolt Assembly. Place Latch Bolt Spring into Latch Bolt Guide seat.

NOTE:

Lower Retract Arm must be between Latch Bolt Foot & Latch Bolt Guide.

3. REVERSE HUBS

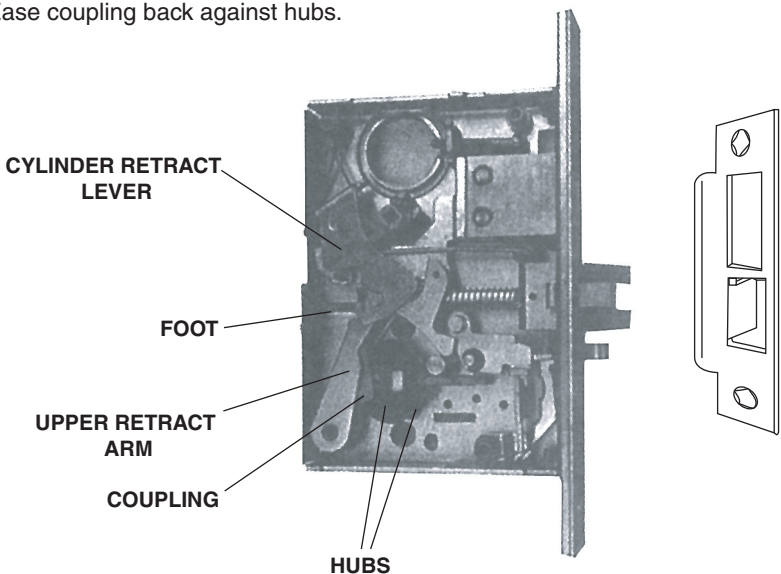
NOTE:

Hub reversing is required only on locks that contain two differently shaped hubs.

A. To reverse, pull Coupling toward rear of case.

B. Lift out both Hubs together, invert as an assembly and replace.

C. Ease coupling back against hubs.



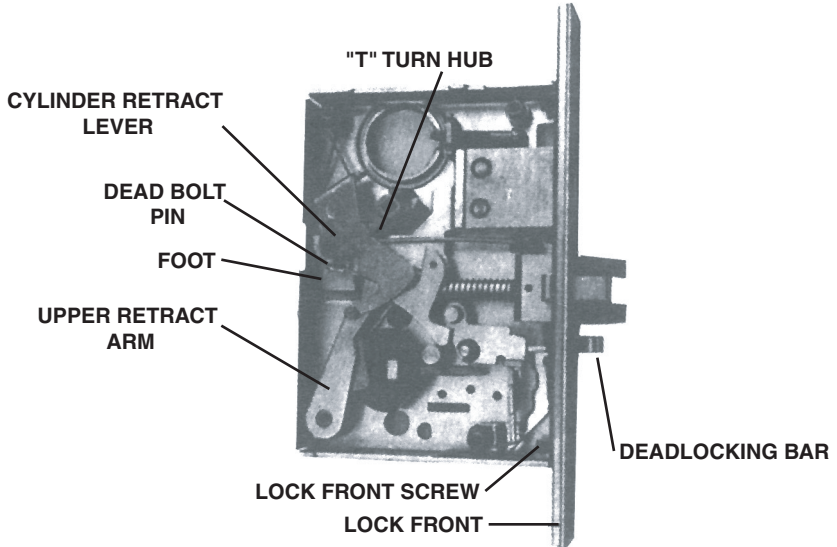
4. REASSEMBLE RETRACT ARM AND LEVER

- A. Replace Upper Retract Arm so that arm fits into space between Latch Bolt Foot and Coupling.
- B. Replace Cylinder Retract Lever so that it straddles the Dead Bolt Pin.
- C. Replace Cover guiding "T" Turn Hub into cover hole. Depress Latch Bolt to clear Foot.

NOTE:

A phillips head screw driver inserted thru cover into "T" turn hub will retain hub and Cylinder Retract Lever in proper location while replacing cover.

- D. Replace Cover fastening Screws.



5. REVERSE DEADLOCKING BAR

- A. If the locking unit contains an auxillary Deadlocking Bar, remove Face Plate Remove Deadlocking Bar, reverse and replace back into assembly.
- B. Replace Face Plate.

NOTE:

The concave face of Deadlocking Bar must be on same side of door as the beveled face on the Latch Bolt. If this condition is not met, the Latch Bolt will be blocked from being able to be depressed as it comes into contact with the strike.

6. ADJUST BEVEL

Set Bevel of lock front to match door Bevel and securely tighten screws.

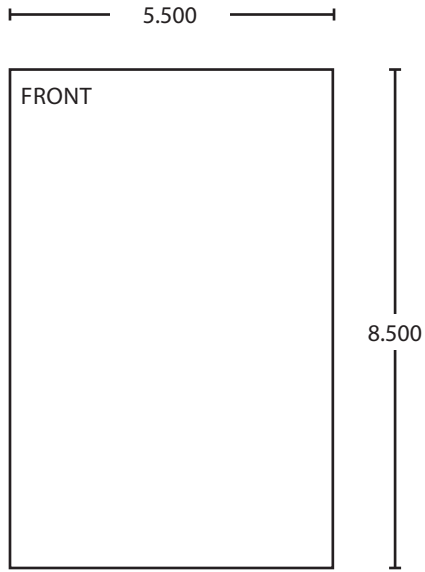
7. STRIKE

Replace Strike with Proper Hand condition if necessary.

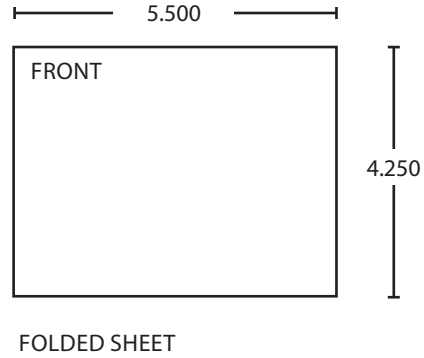


ALLEGION

© Allegion 2014
Printed in U.S.A.
002302-001-70 Rev. 10/14-d



BEGINNING SHEET



Additional Notes:
1. None

Revision History						Revision Description:					
A	B	C	D	E	F	D > Revised artwork					
5598	0790	6683									
Material						Edited By		Approved By		EC Number	Release Date
White Paper						J. Ellis		M. Roberts		xxxxx	10/14
Notes 1. printed both sides 2. printed black 3. tolerance $\pm .13$ 4. printed in country may vary						Title					
						Instruction Sheet, Reversing Hand of M-Series Mortise Locks					
						Creation Date		Number			Revision
						10-22-14		002302-001-70			D
Created By		Activity				© Allegion 2014					
J. Ellis		3899 Hancock Expwy Security, CO 80911									
Software: InDesign CS6											