

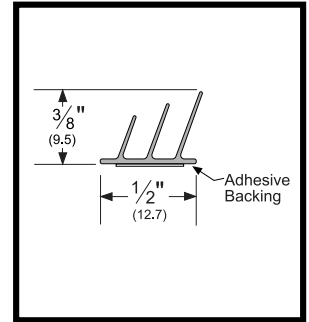


ASSA ABLOY

S773

# SILICONSEAL™

Adhesive Gasketing - Tested and Classified for Fire and Smoke

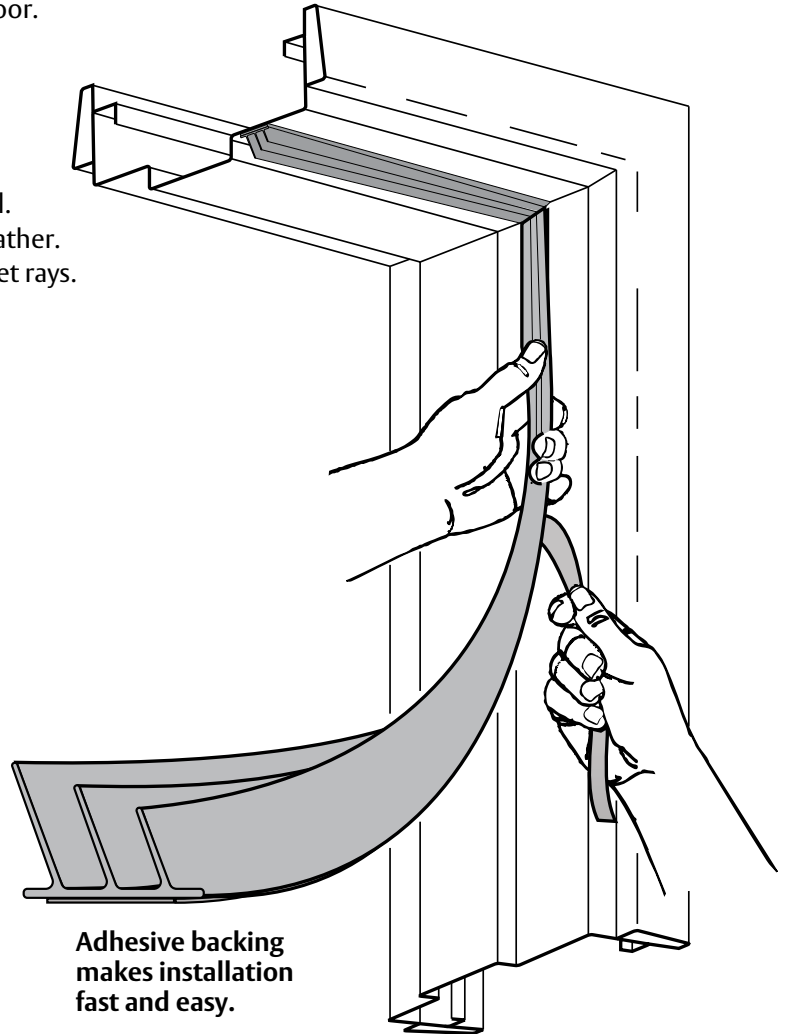
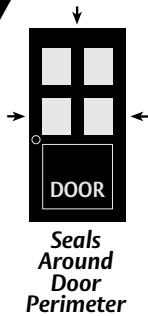


### Applications:

Use on door frames to seal top and sides of door.

### About Door Gasketing:

- Adhesive backed.
- High temperature silicone.
- Self-extinguishing and non-toxic.
- Longest-lasting commercial grade door seal.
- Seals against smoke, fire, air, sound and weather.
- Unaffected by sunlight, ozone and ultraviolet rays.
- Impervious to fungus and mildew.
- Excellent compression; door latches easily.



### Product / Available Finishes:

- S773BL Black Silicone
- S773D Dark Brown Silicone
- S773GR Gray Silicone (Light Gray)
- S773W White Silicone

### Testing/Ratings:



Gasketing material for fire doors intended for application to listed steel frames and/or classified steel covered composite, hollow metal doors rated up to and including 3 hours; wood and plastic covered composite doors rated up to and including 1-1/2 hours; and wood core doors rated for 20 minutes.

### Tools Required:



ASSA ABLOY

ASSA ABLOY, the global leader in door opening solutions

#### UNITED STATES:

VENTURA, CA  
Ph: 800.283.9988  
Fax: 800.283.4050

MEMPHIS, TN  
Ph: 800.824.3018  
Fax: 800.243.3656

#### CANADA:

VANCOUVER, BC  
Ph: 877.535.7888  
Fax: 877.535.7444

TORONTO, ON  
Ph: 866.243.9816  
Fax: 866.243.9817

www.pemko.com

## Read Before Installation:



### **Read before installation! Failure to do so may result in improper adhesion.**

**Storage and shelf life:** All adhesive gaskets have a limited shelf life. This product must be used within 6 months of purchase and must be stored between 50°F and 100°F.

**Before installing:** Thoroughly clean the frame with the enclosed cleansing towelette to remove grease, dust or cleanser build-up. Before installation, wait for frame surface to completely dry (evaporate). Some hospital environments have wax or anti-bacterial cleanser build-up. As an alternative or substitute cleanser, use isopropyl (rubbing) alcohol. Note: Mineral spirits or other petroleum based cleaning products should NOT be used.

**Application temperature:** If frames are too cold (below 50°F) or too hot (above 100°F) adhesion may be impaired.

#### When to install:

- Installation should take place after construction is completed, flooring is installed and final cleaning is completed.
- Paint on frame must be cured for at least 5-7 days. Paint cannot be wet under dry surface when gaskets are pressed on. Avoid quick-dry primers, which leave a powdery surface preventing sufficient adhesion. When applying to a wood frame, the surface must be non-porous and sealed. Follow standard industry guidelines on sealed wood frames and/or rough surface before applying. Note: Anti-bacterial, anti-fungal or silicone additives in paint may inhibit adhesion.

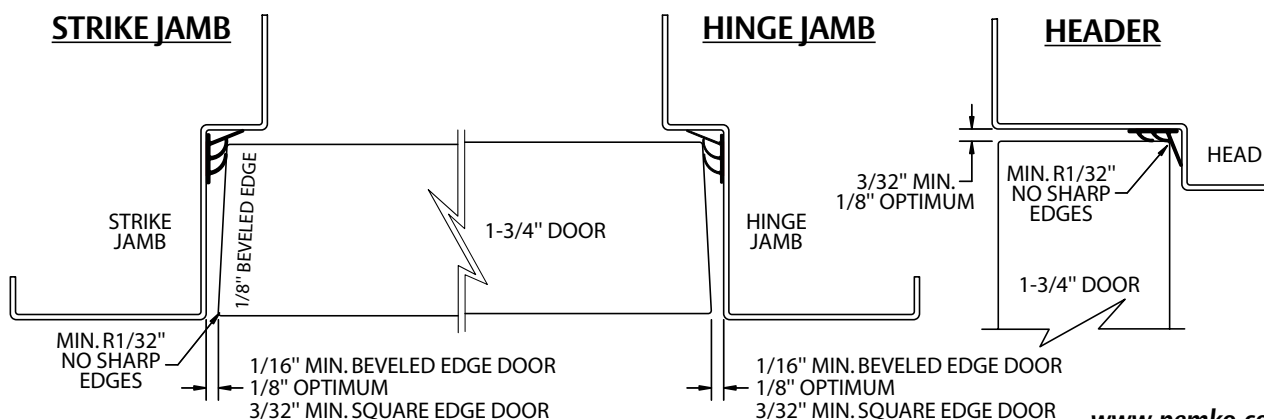
#### Application tips and warnings:

- Do NOT stretch material. Product can retract or shrink if stretched.
- Use very firm, perpendicular pressure when applying. Use wallpaper seam roller to reinforce adhesion after applying.
- Do not stretch material when using seam roller. Run roller with up and down motions.
- Double check adhesion after 2-3 hours before leaving job overnight.
- If gasket separates from frame, press again with firm pressure in place. If adhesive strip is exposed, airborne dust may impede adhesion. Replacement may be necessary.
- Application at header can be awkward due to overhead condition. Be sure to apply enough pressure.

**NOTE:** Adhesion takes delayed set. Immediate removal and resetting can be done if error occurs in initial placement. DO NOT reset after one hour. Full set is reached in 24 hours.

## Installation Instructions:

1. Pre-cut the hinge jamb, strike jamb and header pieces to fit before installing. Do not install as one continuous piece. Install jamb gaskets first and header gasket last.
2. Remove approximately 24" of backing from the adhesive gasketing strip. Be careful not to touch adhesive or drag the adhesive on ground. Remove remainder of backing as gasket is applied to the frame.
3. Install jamb pieces by positioning the gasket on the door frame rabbet as illustrated. Start by applying gasket 1/16" from the header rabbet to allow for header piece clearance. DO NOT STRETCH MATERIAL. Use finger tips to apply pressure while installing the S773 along the jamb rabbet.
4. Install header piece. Ends of gasket should overlap and fit above jamb pieces. DO NOT STRETCH MATERIAL. Use finger tips to apply pressure while installing the S773 along the header rabbet.
5. Once installed, apply firm pressure along the entire surface of the product to ensure proper adhesion to the frame.



[www.pemko.com](http://www.pemko.com)

© 2010 Pemko Manufacturing Co.  
S773\_WEBINS  
Rev 5E - 07.08.10