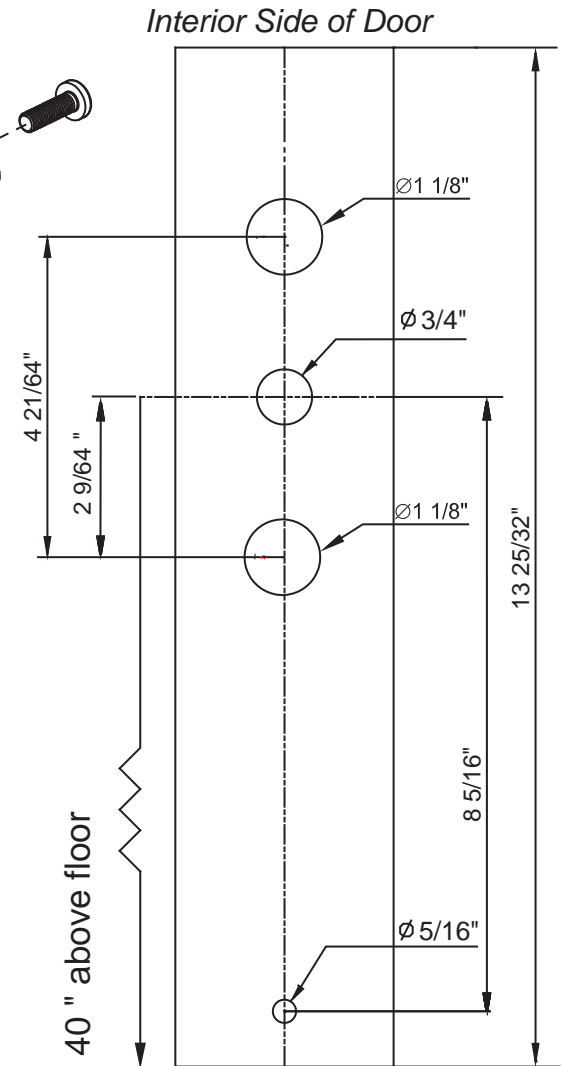
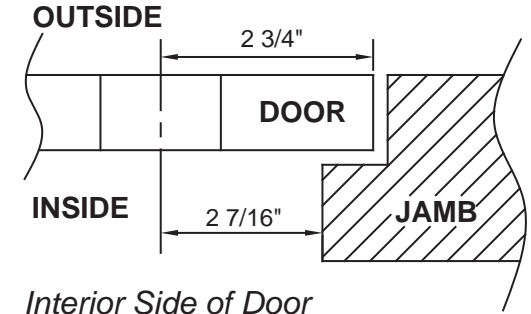
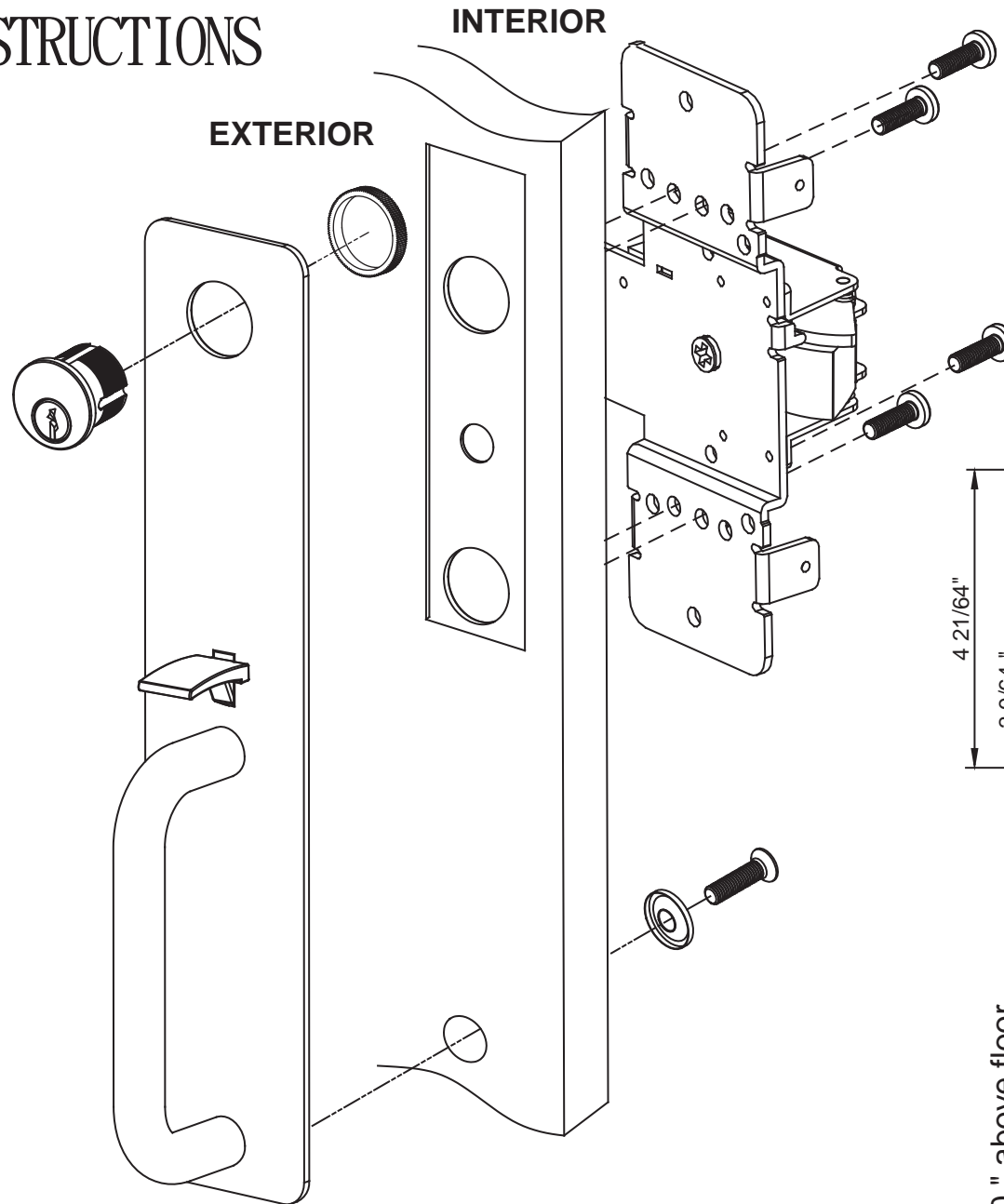
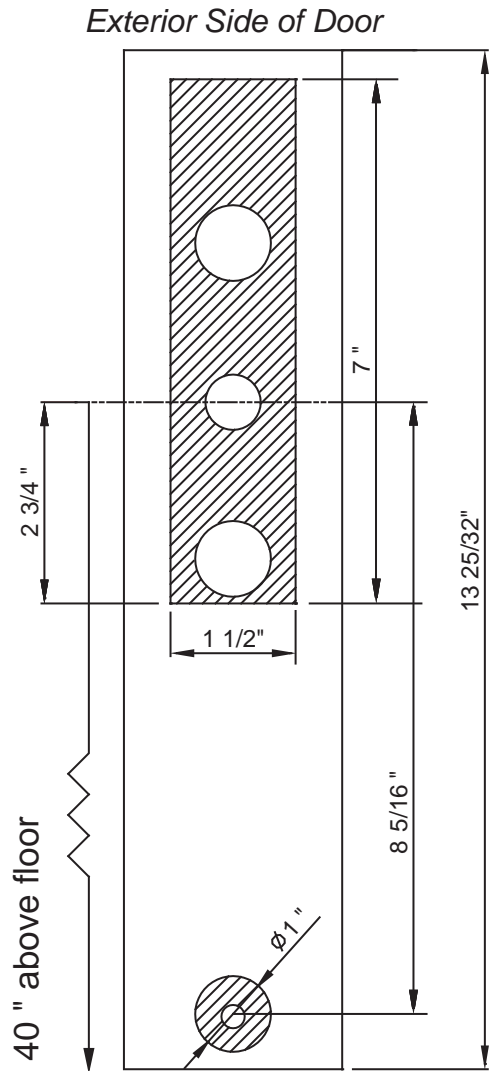


1000 SERIES THUMBPIECE TRIM INSTALLATION INSTRUCTIONS

TP-08, ENTRY
TP-02DT, DUMMY

NOTE:
Backset of 2 7/16" from jamb to center or 2 3/4" from door edge to center is acceptable.
Strike shim can be used or not used to make adjustments to the roller strikes projection to compensate for doors with different backsets.



2000 SERIES THUMBPIECE TRIM INSTALLATION INSTRUCTIONS

TP-08, ENTRY
TP-02DT, DUMMY

NOTE:
Backset of 2 7/16" from jamb to center or 2 3/4" from door edge to center is acceptable. Strike shim can be used or not used to make adjustments to the roller strikes projection to compensate for doors with different backsets.

