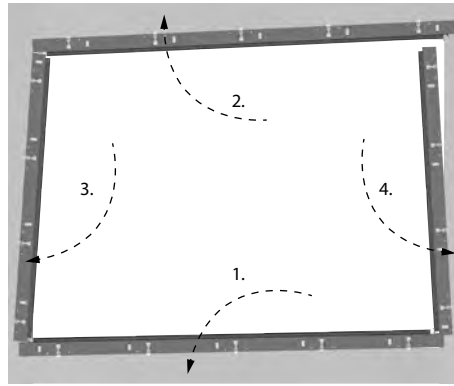
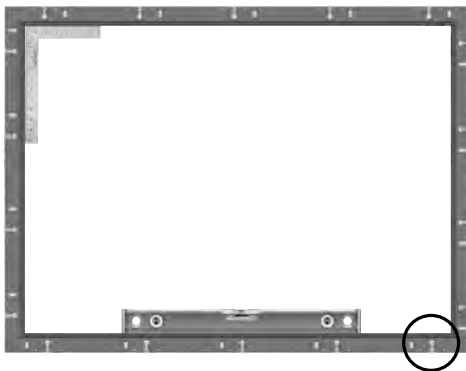


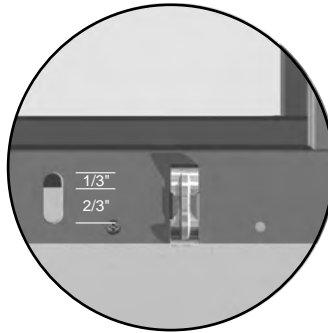
1. Check rough opening. Dimensions are Rabbet to Rabbet + 1 1/4".



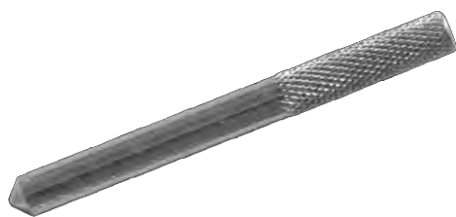
2. Sleeve bottom header over wall, then top header. Sleeve both jambs over wall and interlock jambs with tabs on top and bottom headers. If using mullions, see mullion instructions below.



3. Raise bottom header on one side until wall is seen in 2/3 of oval slot. Place fastener next to slot. Level bottom header and fasten at each clip. Using a square, align both side jambs to bottom header to form square corners. Fasten sides at each clip. Pull top header tight to jambs and fasten. Anchor both sides of the frame keeping all joints tight and corners at 90° angles.



4. Insert corner pieces to header casings and assemble upright casing as shown. Apply top header/left jamb casing assembly to frame by putting casing over outside of clips and then tapping it over the inside of the clip. Install the other assembly in the same way interlocking the two assemblies with the corner clips. Apply casing to the opposite side in the same manner. Align mitres for tight fit.



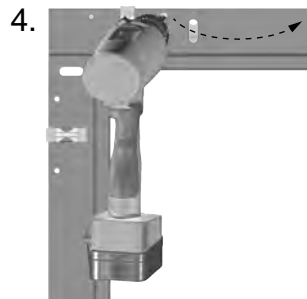
**TA-41 Glass Stop Dimpler Tool -**  
 Used to meet 2" fire rating requirements.

**MULLIONS**

1. Before placing jamb pieces in opening, locate and apply mullion brackets as required. Sleeve jambs over walls, but do not fasten
2. Start at one end of the assembly and place mullions over brackets. If horizontal mullions are used, they must be placed on the jamb then on the vertical mullion as it is tipped into position.
3. When all mullions are in place the jambs should be brought tight to the mullion using a screwdriver in the oval slot.
4. When mullions are in place and joints are tight proceed with anchoring as shown on the instructions.

*See page I-5 for additional information.*

1. Check for correct rough opening dimensions.
2. Check for correct wall thickness.
3. Use screws instead of nails so frame can be adjusted if necessary.
4. Apply fastener at each clip on both sides of the frame to prevent loose casing.
5. Field painted frames must be thoroughly cleaned to remove any substances that would inhibit paint adhesion. Light sanding is recommended. Adhesion of water based paints is not guaranteed.
6. Use screwdriver in oval alignment slots to move frame on wall to avoid damaging wall finish.
7. Frames installed in exterior locations must have adequate flashing to prevent water penetration to building interior. Exterior frames require additional painting for proper weatherproofing and corrosion resistance.



## **FIRE RATED OPENING REQUIREMENTS**

1. Labeled glass.
2. Glass stop must be pierced and dimpled a maximum of 2" from each end for anchorage.
3. Glazing compound required (Fire rated Silicone Sealant required for use with Firelite glass).
4. Maximum wire glass clearance of 1/8" overall; 1/4" overall for Firelite.
5. Either floor channel can be ordered from the factory or drywall applied on both sides to a steel or wood stud to meet label requirements.
6. Apply fasteners at each clip on both sides (full perimeter of frame). Fire inspectors may reject frames with insufficient fasteners.