

# C-Series & S-Series Classic Frame with Transom (Single or Pair) Installation Steps

## TOOLS REQUIRED

Tape measure	Screw gun	Philips Head screwdriver	6" piece wood dowel (same diameter as door undercut)
6' magnetic level	#2 Screwdriver tip	(Used to move frame on wall using oval slots on frame face)	Center punch
3' magnetic level	#3 Screwdriver tip		Scribe or pencil
Safety Glasses			

## INSTALLATION GUIDELINES

1. Timely 6-8 frames are reversible. Jamb can be flipped end for end to achieve proper swing.
2. If a closing device is being used, you will need a TA-10 or TA-12 Reinforcement Bracket, and it must be installed before installing the casing or the header.
3. The frame should always rest on the finished floor. If the floor is not finished, shim the frame to compensate for floor thickness.
4. The casing can become damaged or dimpled if struck directly in the center by a hand or rubber mallet.
5. Frames used for exterior exposures require additional painting for proper weatherproofing.
6. Frame, door(s) and hardware must be installed at the same time or warranty is invalid.
7. Remove excess foam backing from strike cutout locations by carefully using a utility knife.

### 1 ROUGH OPENING

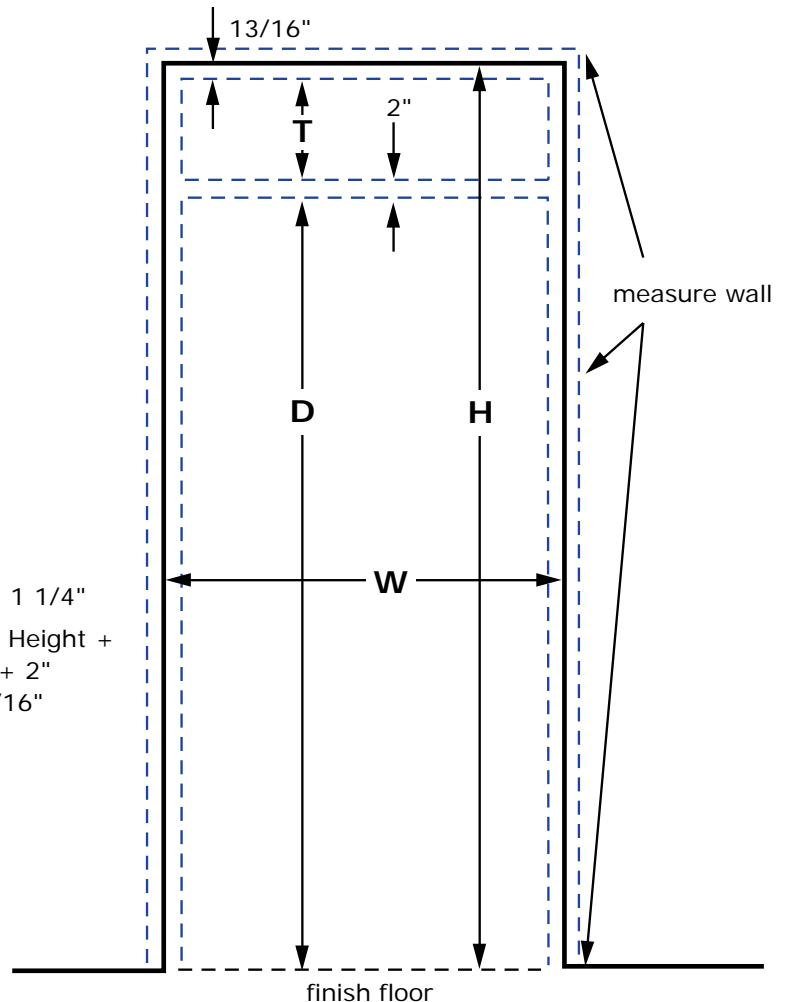
Verify the rough opening. Measure the wall Thickness at the top, middle, and bottom on both sides. The jamb depth must be within 1/8" (plus or minus) of the wall width.

The **rough opening width (W)** is the total of nominal door(s) widths plus 1 1/4".

The **rough opening height (H)** is the net door(s) area height (**D**) plus transom height (**T**) plus 2" for the transom mullion plus 13/16" for adjustment.

$$W = \text{Nominal Width} + 1 \frac{1}{4}"$$

$$H = \text{Net door(s) Area Height} + \text{Transom Height} + 2" \text{ for Mullion} + \frac{13}{16}"$$



### 2 PARTS LAYOUT AND HARDWARE PREPARATION

Remove all parts from carton and place on the floor in front of the opening to verify correct sizes, handing and hardware preparations. If using a parallel arm closer, the reinforcement is factory installed in the transom mullion. If using a rim exit device, install a TA-12 on the stop of the strike jamb prior to placing the jamb on the wall. Frame accessories, including adjustable strikes, closer reinforcements, and TA-15N mullion brackets are in a separate carton marked "Accessories".

Upright casing with MiterGard™

Strike Jamb

Header Casing

Hinge Jamb

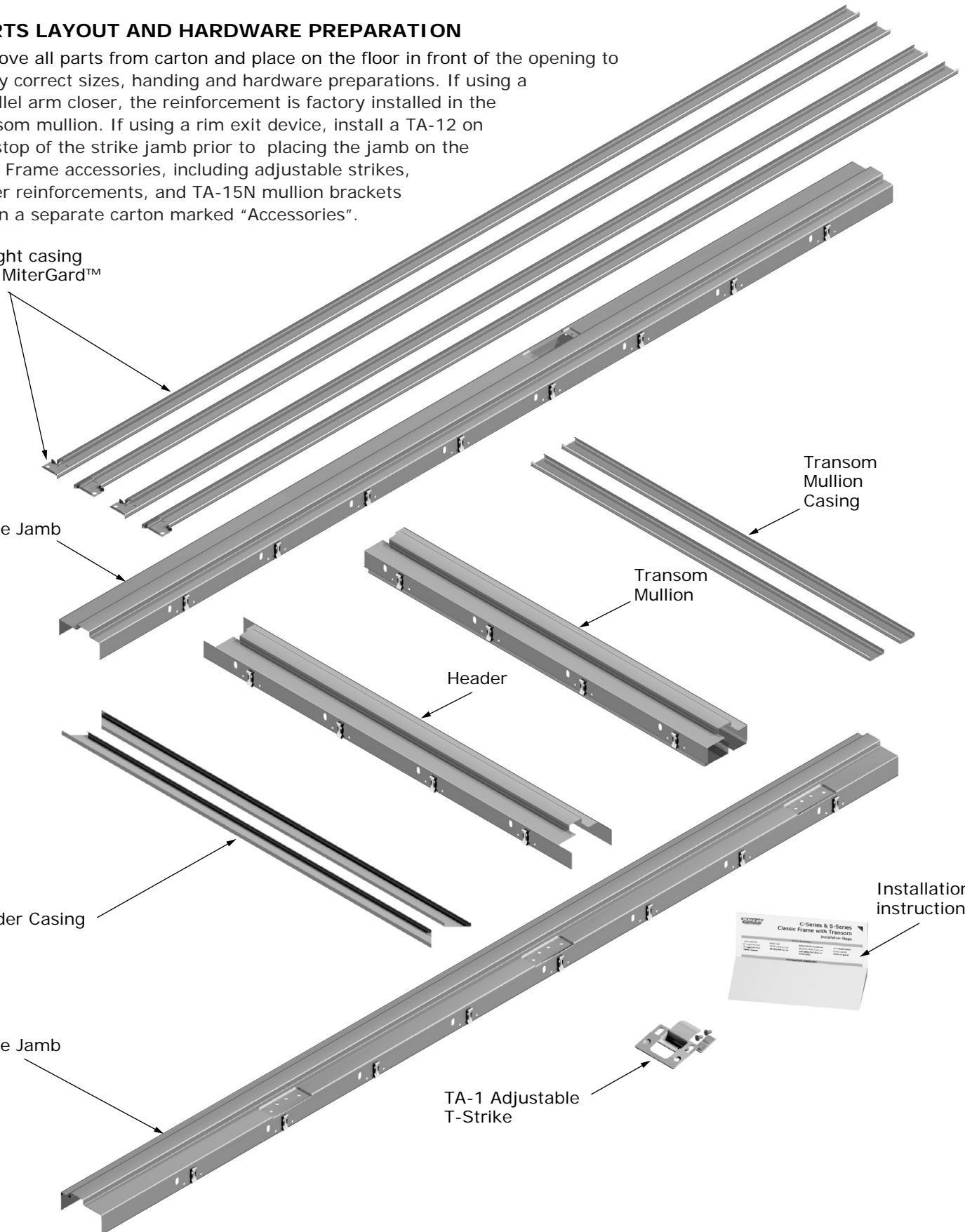
Transom Mullion Casing

Transom Mullion

Header

Installation instructions

TA-1 Adjustable T-Strike



### 3 LOCATE AND INSTALL MULLION BRACKETS

The transom mullion is attached to the jambs using TA-15N mullion brackets found in the accessories carton. Locate the installation position for both brackets and mark the location on the frame stop. Scribe a line across the stop to mark the location for the bracket on the opposite rabbet. Location for the bracket is: Net inside frame height for the door(s) area plus 1".

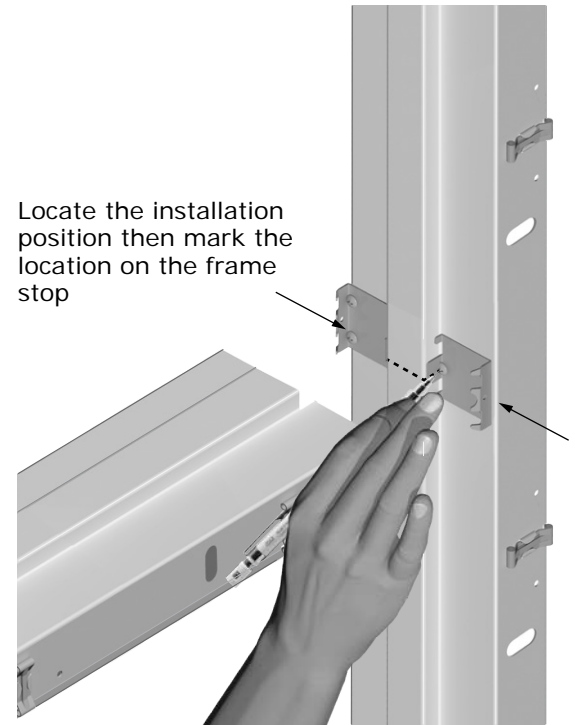
Example:

**Timely Standard 6'8" frame:** Net inside door(s) height is 6'8 3/16" – Center of mullion bracket is 6'9 3/16" from bottom of frame

**Timely Standard 7'0" frame:** Net inside door(s) height is 7'0 3/16" – Center of mullion bracket is 7'1 3/16" from bottom of frame

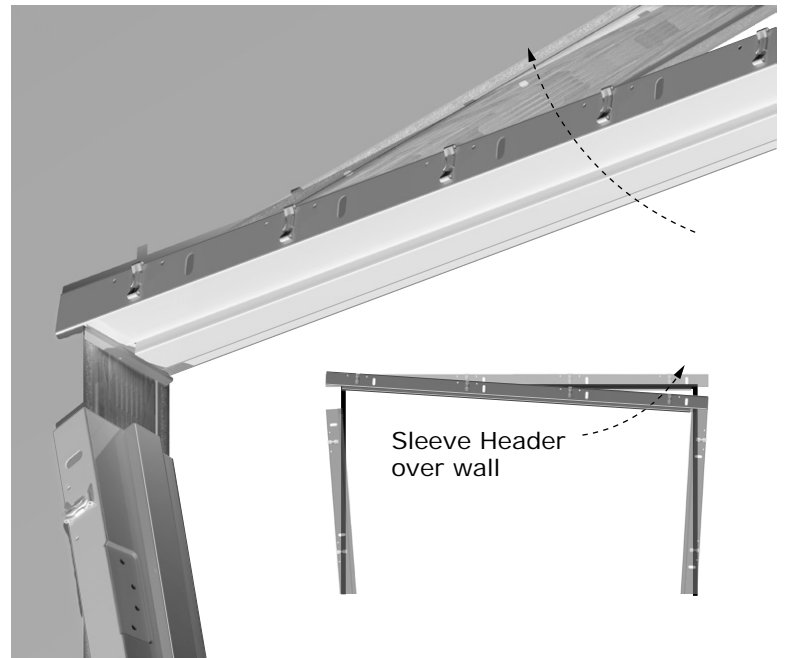
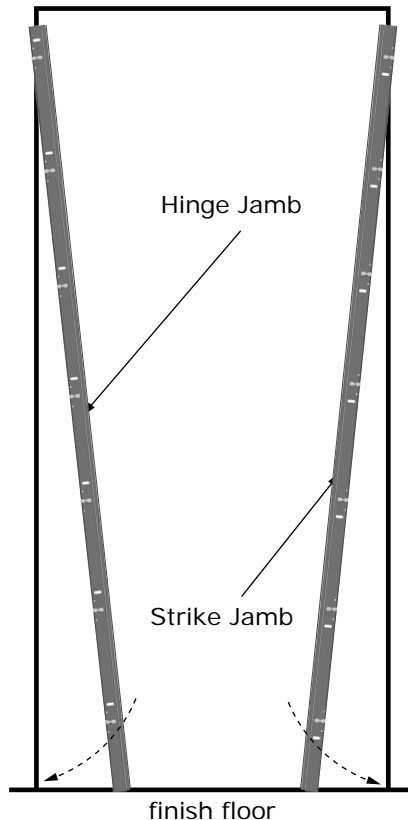
**Hollow Metal or "Per Spec" frame:** Net inside door(s) height (same as nominal height) + 1".

Follow the instructions included in the TA-15N package to install brackets on both jambs



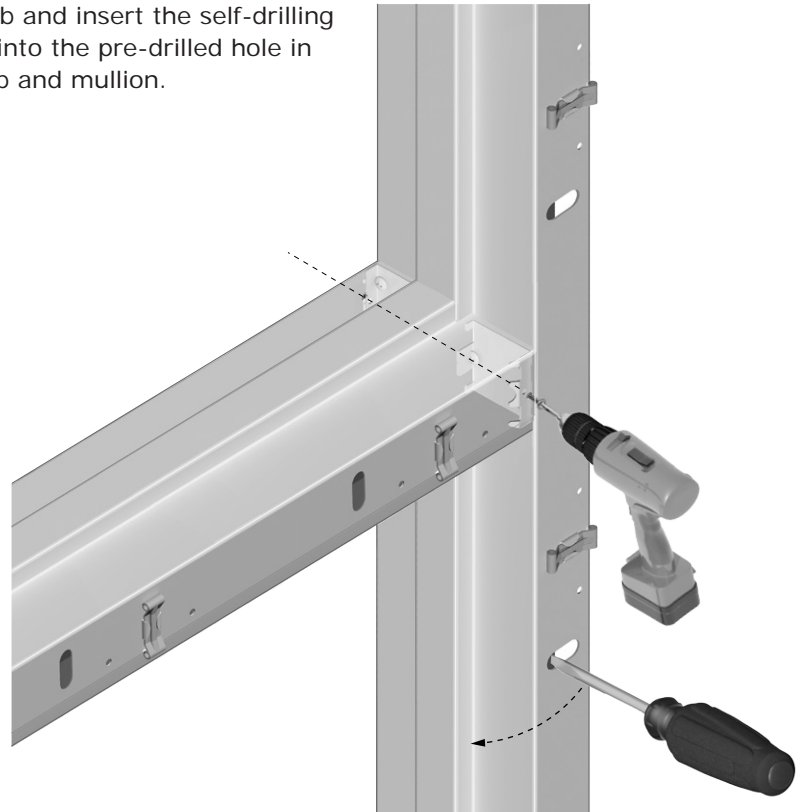
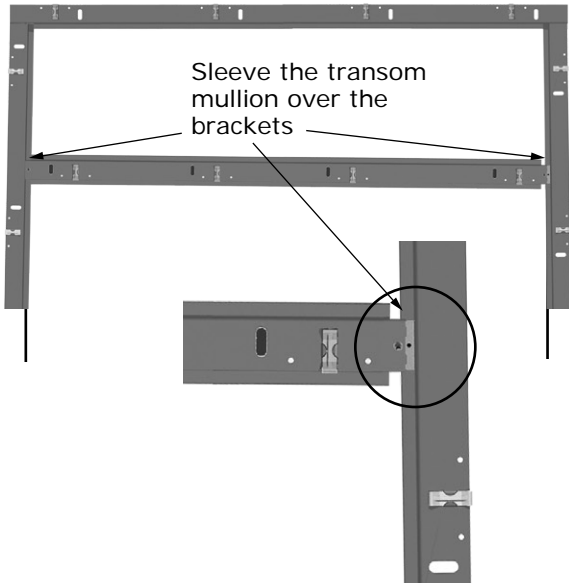
### 4 POSITION JAMB PARTS IN OPENING

Place both jambs where they can be easily accessed. The jambs can be sleeved over the wall with the top about 3" below the head of the rough opening.



Sleeve the header over the wall then move the jamb into position interlocking the alignment tab on the header with the top of the jamb. Repeat for the opposite Jamb. Pull the header down tight to both jambs but do not fasten the jambs or header to the wall.

Sleeve the transom mullion over the bracket on each jamb and insert the self-drilling screw through the small hole in the transom mullion and into the pre-drilled hole in the bracket. Make sure the joint is tight between the jamb and mullion.

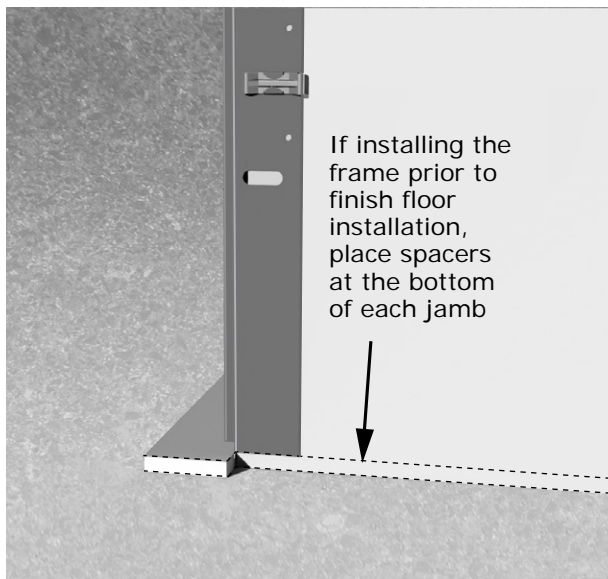
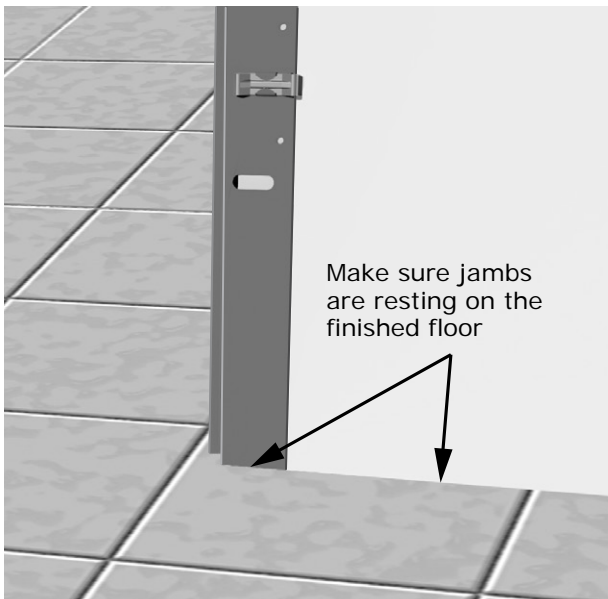


Using the oval slots in the face of the jambs, position the jamb in the center of the opening meaning that the space between the jamb and wall is equal on both sides.

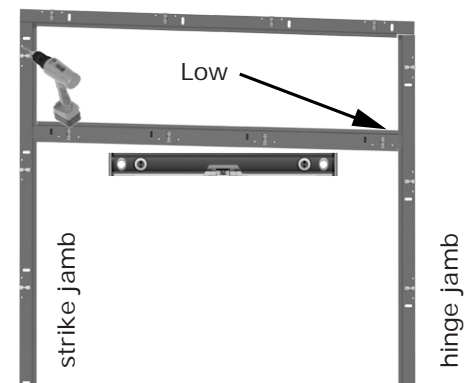
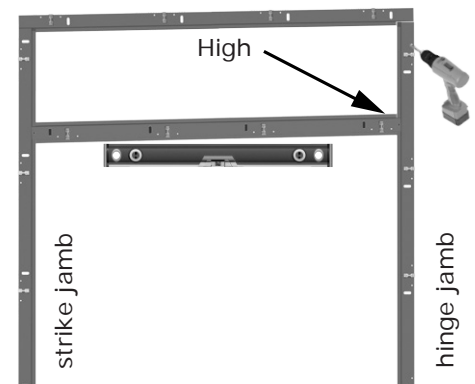
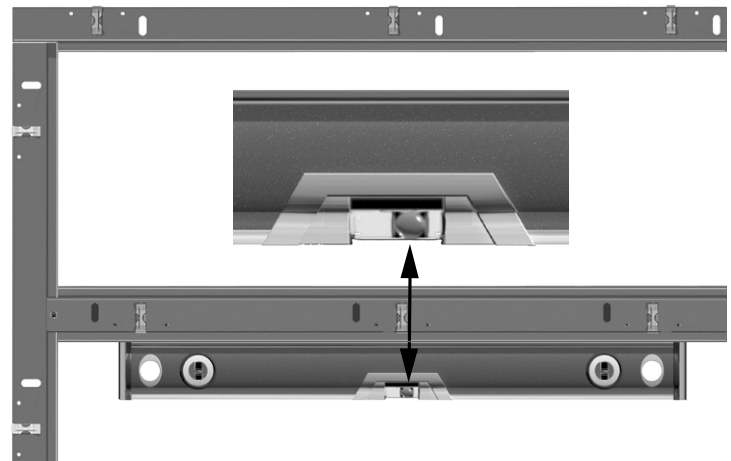


### 5 DETERMINE THE "HIGH" SIDE OF THE OPENING

If installing the frame on a finished floor surface, make sure jambs are resting on the floor. If installing the frame prior to finish floor installation, place spacers at the bottom of each jamb the same thickness as the finish floor material and make sure jamb legs are resting on the spacers. Use a 3' level placed on the underside of the transom mullion to determine the high side. The bubble on the level will determine the high side. If the bubble is to the right of center, the right side jamb is the "high" jamb. If the bubble is to the left of center, the left side jamb is the "high" jamb. If the "high" side jamb is the hinge jamb, place a fastener at the top of the hinge jamb. If the high side jamb is the strike jamb, place a fastener at the top of the strike jamb and raise the hinge jamb so the transom mullion is level. Place a fastener at the top of the hinge jamb.

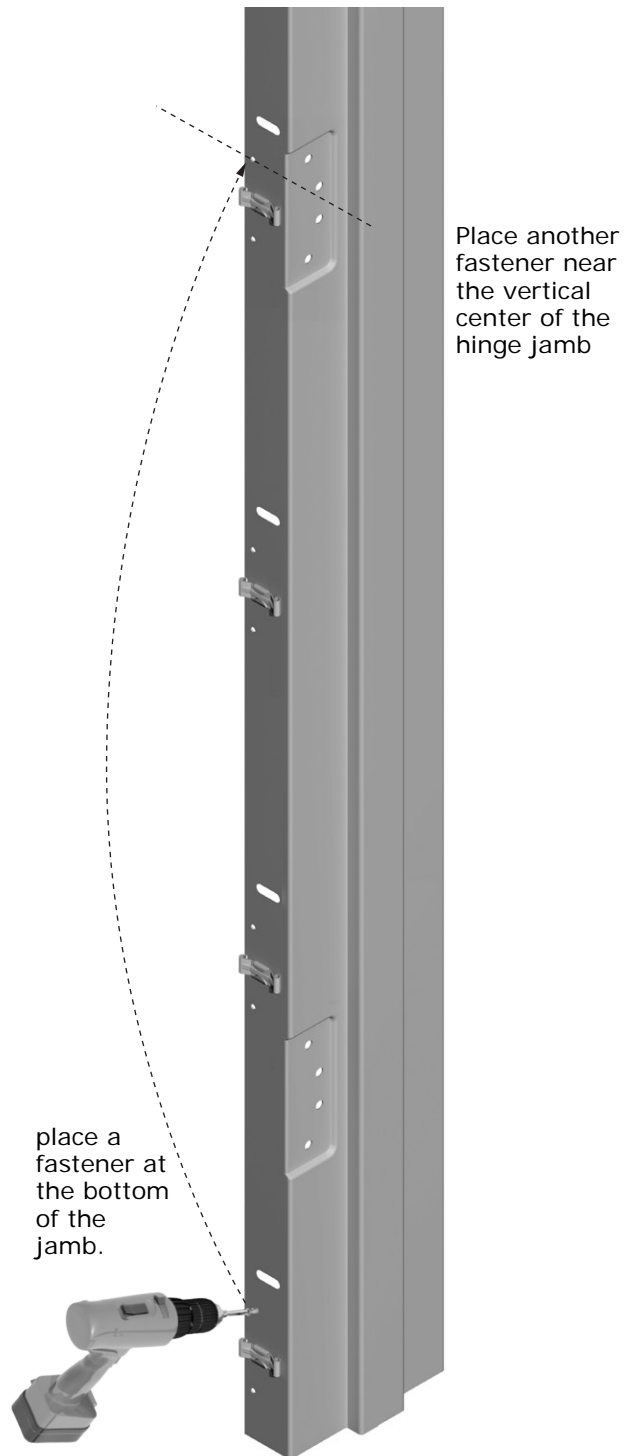
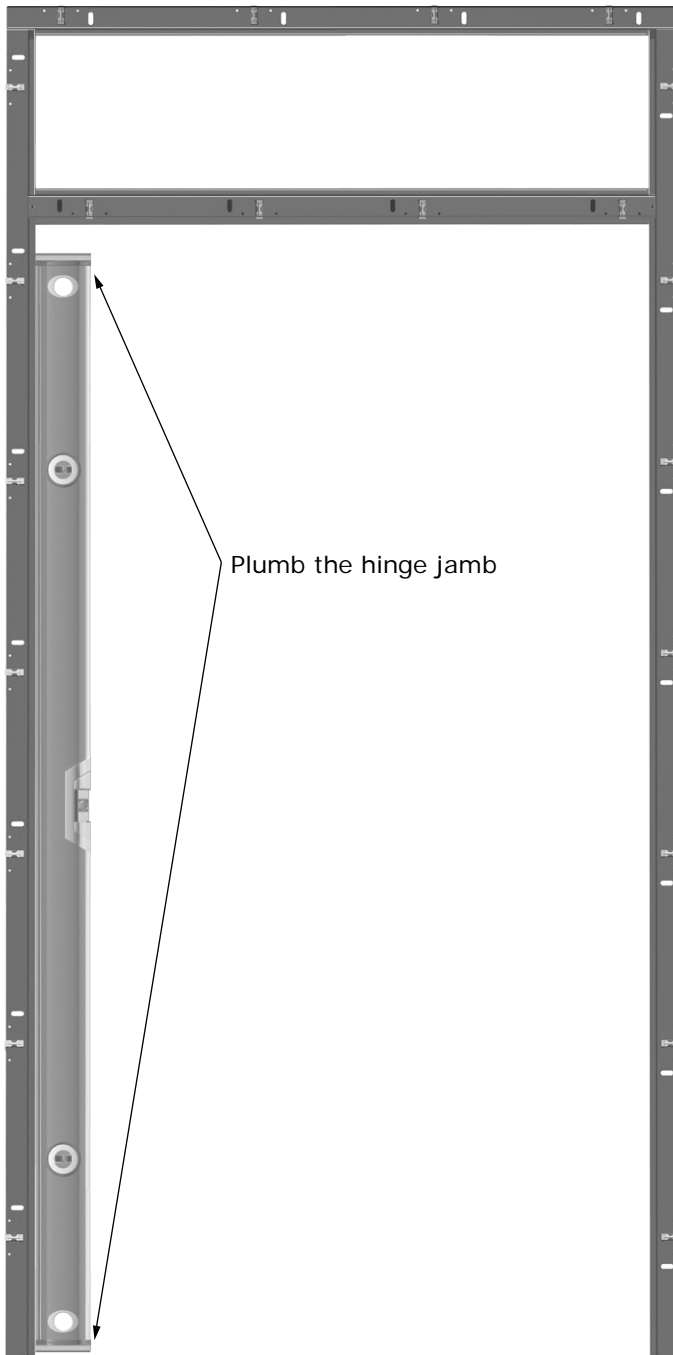


Use a 3' level placed on the underside of the transom mullion



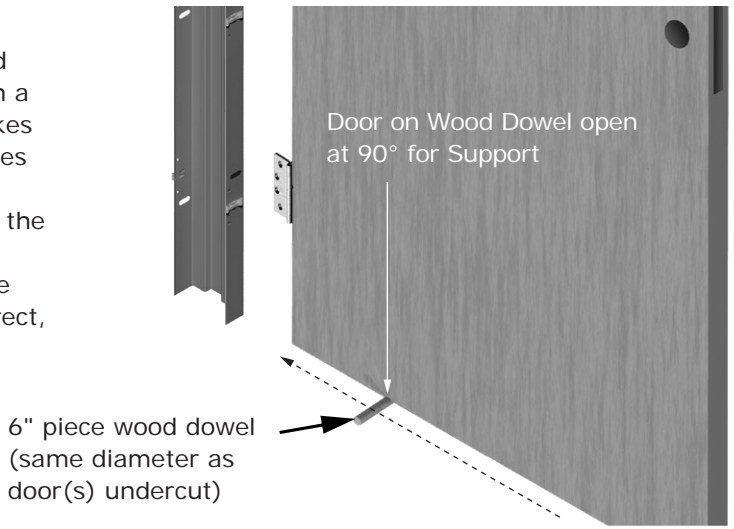
### 6 PLUMB THE HINGE JAMB

Using the 6' level, plumb the hinge jamb and place a fastener at the bottom of the jamb. Place another fastener near the vertical center of the hinge jamb to hold it in place while installing the door(s).

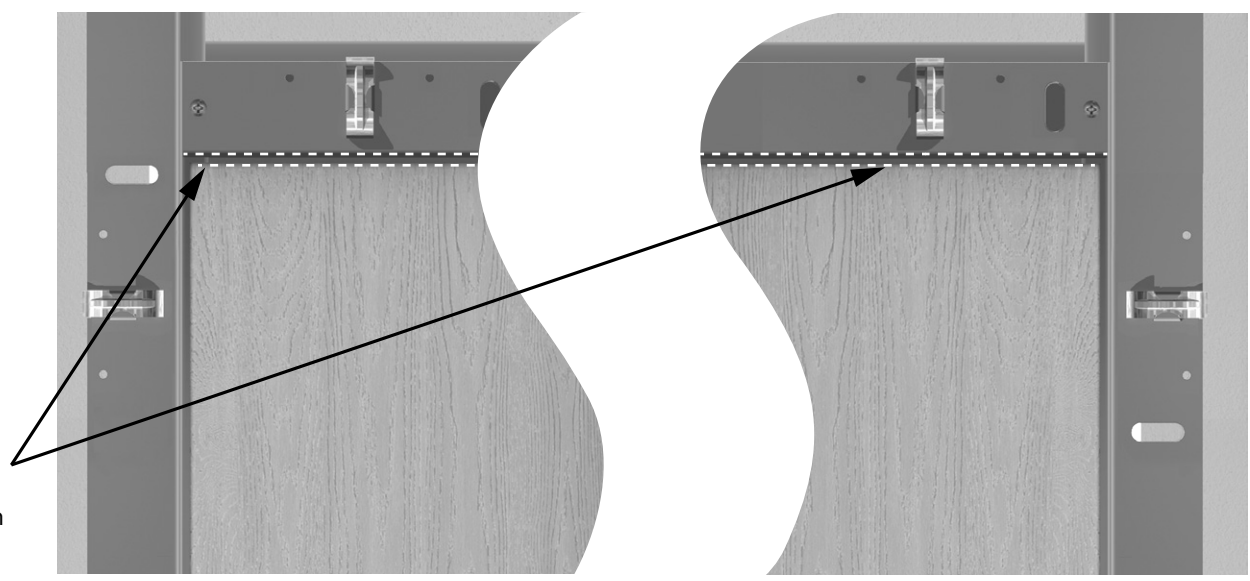


### 7 HANG THE DOOR(S)

Install hinges or other hanging hardware on the door and position the door at a 90° angle from the frame face with a dowel the same diameter as the door undercut. This makes it easy to "roll" the door into position and install the hinges without having to lift the door. Make sure to use the #3 screw gun tip for commercial weight hinge screws. Close the door and make sure the top gap between the door and transom frame is equal on both sides. If necessary, move one of the jambs to adjust the gap. When the gap is correct, install a fastener at each casing clip on the hinge jamb.

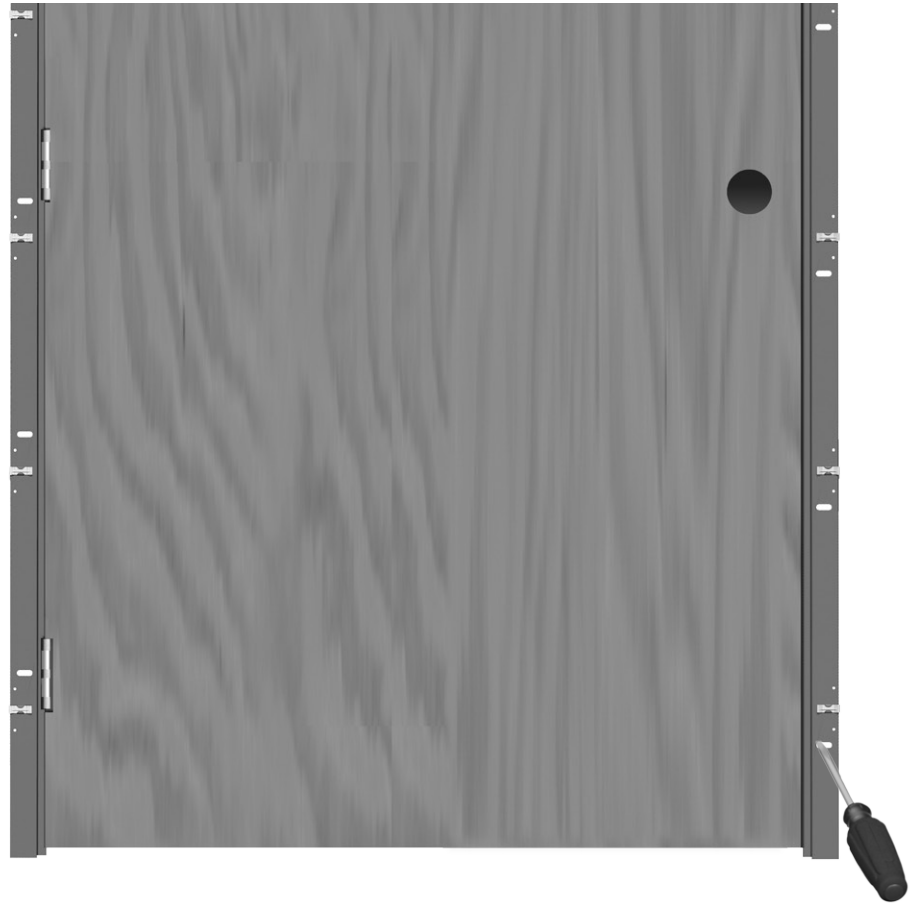


Make sure the top gap between the door(s) and transom frame is equal on both sides



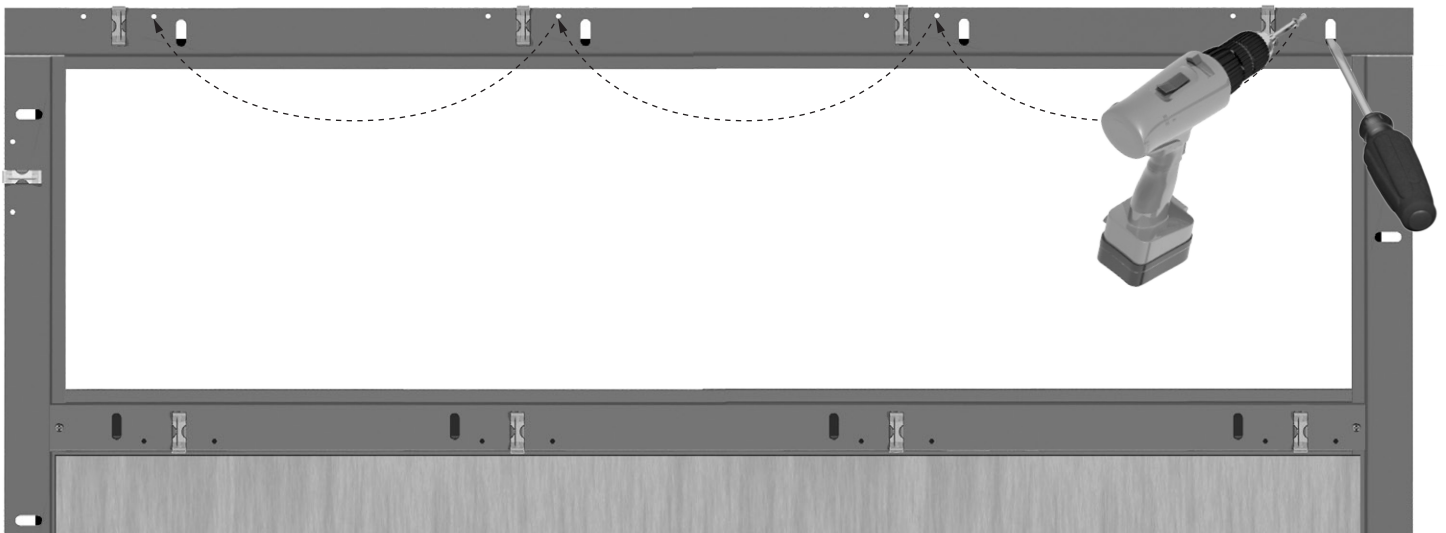
### 8 ALIGN THE STRIKE JAMB

Move the strike jamb as necessary to equalize the vertical gap between the door and strike jamb. If necessary, use a phillips head screwdriver in the oval slot on the jamb face to position the jamb. When the jamb is aligned, place a fastener at the bottom and at the strike location. Apply fasteners at each clip on the strike jamb.



### 9 FASTEN THE HEADER

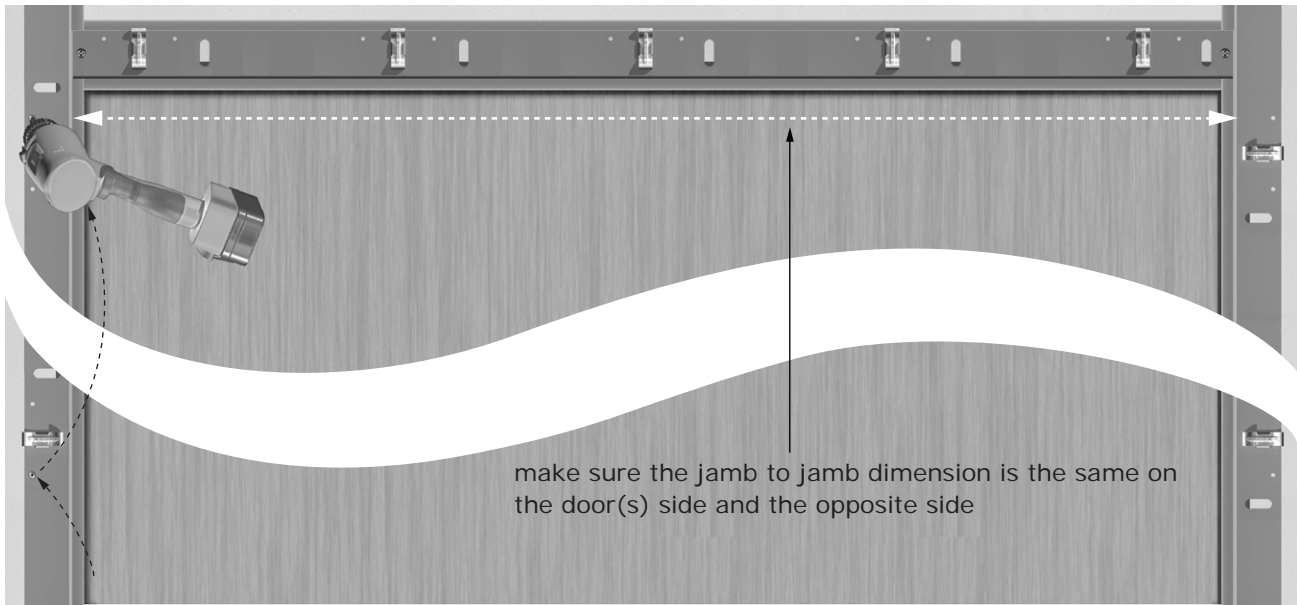
Use the phillips head screw driver in the oval slot to bring the header tight to the hinge jamb and place a fastener in the header. Follow the same procedure for the strike side and then place a fastener at each clip on the header.





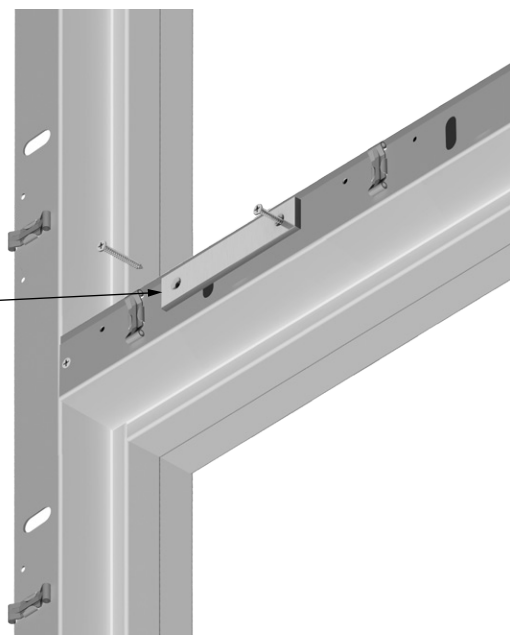
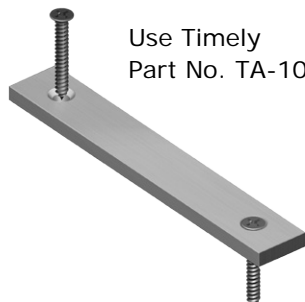
### 10 FASTEN THE OPPOSITE SIDE OF THE FRAME

Make sure the door is operating properly and that all clearances are acceptable. Place a fastener at each clip on the side of the frame opposite the door(s). Use a pre-cut spacer bar at the top of the frame to make sure the jamb to jamb dimension is the same on the door(s) side and the opposite side.



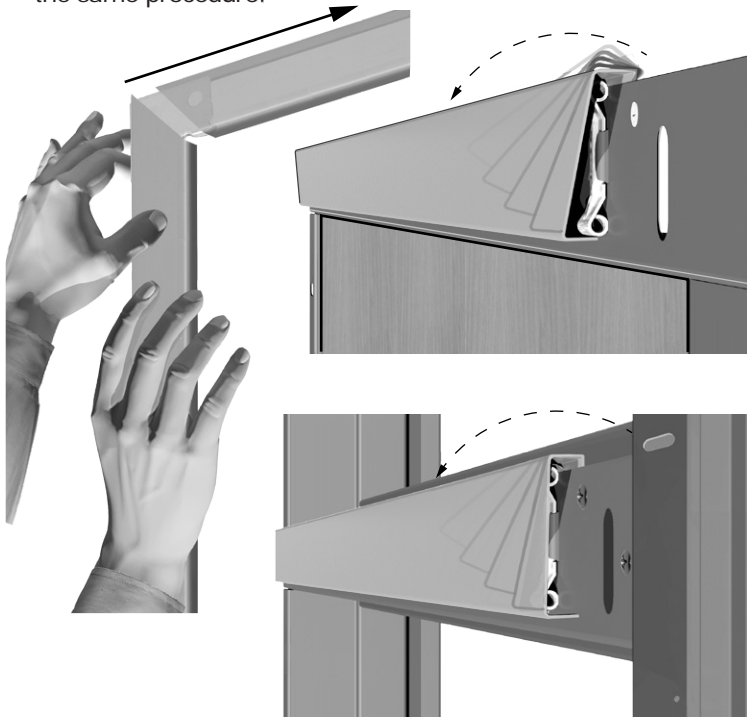
### 11 INSTALL HARDWARE REINFORCEMENT

Verify hardware requirements to determine the type of reinforcement required for surface mounted hardware. Install TA-10 reinforcements for regular arm closers and surface mounted door guards



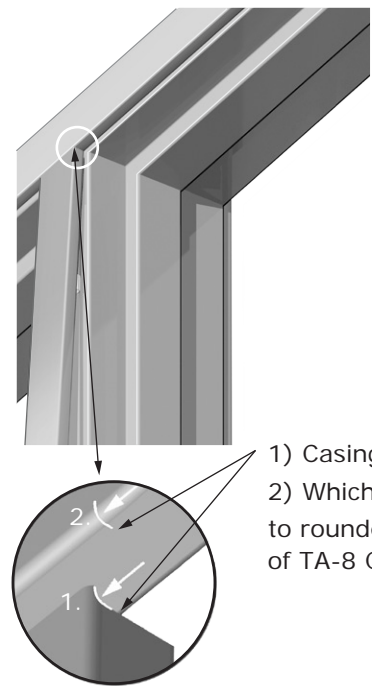
### 12 INSTALL CASING

Position header casing centered on the header and snap the casing over one clip only at the center. Install the corner aligners on both jamb casings into the header casing and bring the two pieces tight together. Position the header casing so the reveals are equal on both jamb casings and roll the casing over the remaining clips at the head. Position the jamb casing over the clip at the outside (on the wall) and snap the casing over the clip on the inside at the top of the jamb. Do not use a hammer or mallet to install the casing. A tap with the heel of the hand should be all the force necessary to secure the casing over the clip. Follow the same procedure for each clip on both jambs beginning at the top and working to the bottom of the jamb. Install the casing on the transom mullion hooking the longer leg of the casing over the clip on the insert section of the mullion, TA-8 casing is coped to provide a tight joint with the jamb casing. When the door side is complete, install casing on the opposite side using the same procedure.



Install header casing using rolling motion downward and toward the door(s)

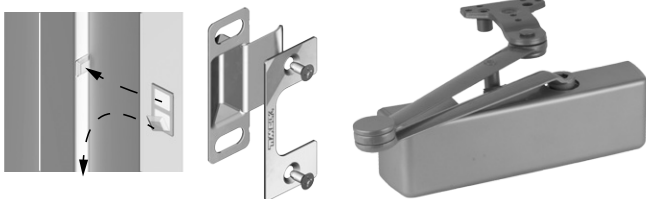
Install the casing on the transom mullion



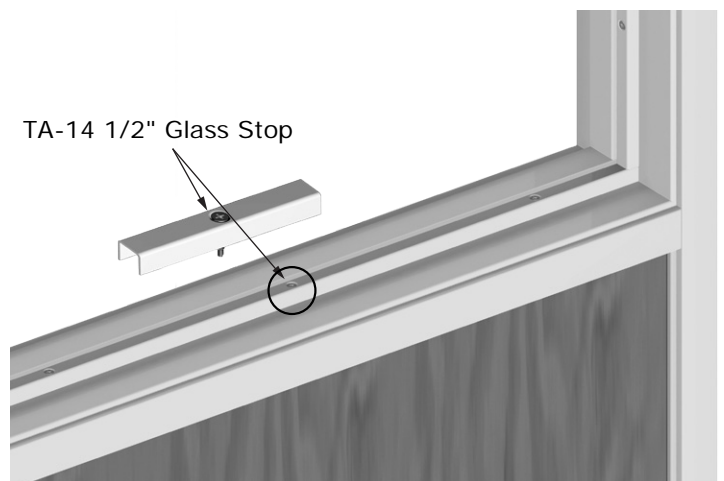
1) Casing is coped  
 2) Which fits snug to rounded edge of TA-8 Casing

### 13 INSTALL THE HARDWARE

Install the balance of the hardware as required by the hardware schedule.



TA-14 1/2" Glass Stop



### 14 GLAZING THE TRANSOM AREA

Install TA-14 Glass Stops, supplied with the frame.