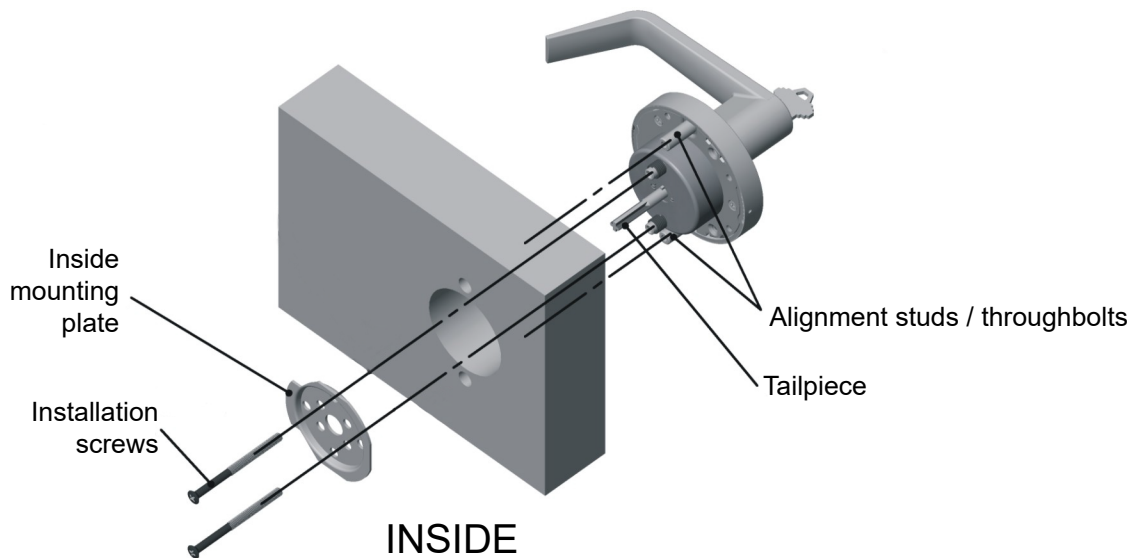


# TRUDOOR KIL/PAS EXIT DEVICE LEVER TRIM INSTALLATION INSTRUCTIONS

1. Prepare door per template
2. Install trim on door using 2 installation screws and inside mounting plate



## TEMPLATE

PLACE TEMPLATE ON  
HIGH EDGE OF BEVEL

FOLD AND ALIGN TEMPLATE ON EDGE OF DOOR

