



ROOF RACK

INSTALLATION GUIDE

Copyright 2022 Truevan (Last Updated 10/04/2022)

INTRO	2
01 TOOLS & PARTS	3
02 144" ROOF RACK INSTALLATION	4
144" ROOF RACK PARTS	4
INSTALLATION	6
03 170" ROOF RACK INSTALLATION	10
170" EXTENSION PARTS	10
04 ROOF RACK ACCESSORIES	12
CROSS BAR PARTS	12

INTRO

Thank you for your interest in TrueVan's modular Roof Rack! The following are the instructions for installation into a Mercedes-Benz Sprinter Van.

Our installation kit will help secure our roof rack to your vehicle. However, if you are uncomfortable with performing the installation yourself, please consult a local upfitter or conversion company to complete the installation process for you.

01 | TOOLS & PARTS

144" ROOF RACK PARTS

Roof rack parts:

- 1 - Front roof rack module
- 1 - Rear roof rack module
- 12 - L-brackets
- 6 - Bracket spacer
- 6 - Bracket Bolt

Fastening hardware:

- 8 - M6 20mm hex head bolt
- 12 - M6 25mm hex head bolt
- 20 - M6 fender washer
- 12 - M6 lock nuts
- 12 - M8 25mm hex head bolt
- 24 - M8 fender washer
- 24 - M8 lock washer
- 24 - M8 nut

170" EXTENSION MODULE

Roof rack parts:

- 2 - Roof rack extension

Fastening hardware:

- 8 - M6 20mm hex head bolt
- 8 - M6 fender washer
- 8 - M6 split washer

EACH CROSS BAR

Roof rack parts:

- 1 - Cross bar

Fastening hardware:

- 4 - M6 25mm hex head bolt
- 4 - M6 flat washer
- 4 - M6 fender washer
- 4 - M6 lock nut

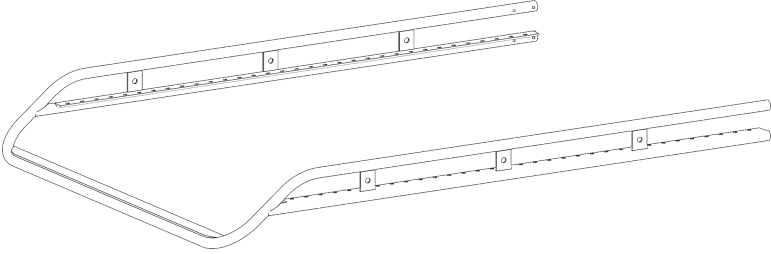
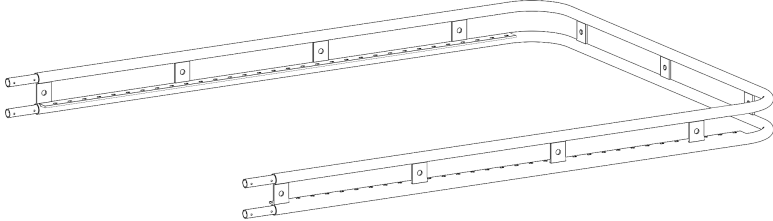
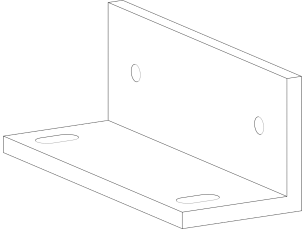
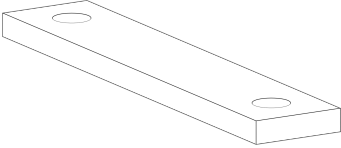
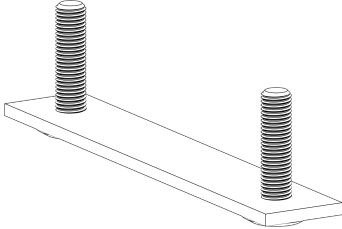
RECOMMENDED TOOLS

- Large moving blanket
- **HIGHLY RECOMMENDED:** A friend who works for beers

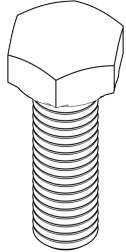
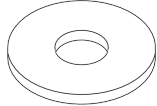
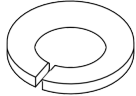
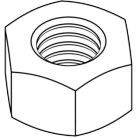
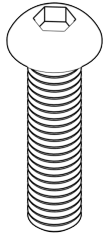
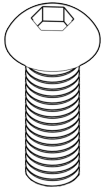
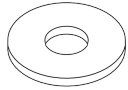

02 | 144" ROOF RACK INSTALLATION

144" ROOF RACK PARTS

Roof rack components:

Front roof rack module	Rear roof rack module	
		
12 - L-brackets	6 - Bracket Spacer	6 - Bracket Bolt
		

Fastening hardware:

12 - M8 25mm hex head bolt	24 - M8 fender washer	24 - M8 lock washer	24 - M8 nut
			
12 - M6 25mm hex head bolt	8 - M6 20mm hex head bolt	20 - M6 fender washer	12 - M6 lock nuts
			

Additional tools:

- 4mm Allen wrench
- 10mm socket
- 12mm socket
- Large moving blanket
- **HIGHLY RECOMMENDED:** A friend who works for beers

INSTALLATION

1. Take two of the L-brackets in your kit and assemble them together in the configuration shown in Fig 2.1.

Each pair of L-brackets are fastened using:

2x - M8 25mm hex head bolts

2x - M8 Fender washers

2x - M8 Lock washers

2x - M8 Nuts

Do this for the remaining 10 L-brackets.

2. Loosely attach the bracket spacers and bracket bolts to each pair of L-brackets as shown in Fig 2.2.

The fasteners you will need for each set include:

2x - M8 Fender washers

2x - M8 Lock washers

2x - M8 Nuts

Fig 2.1

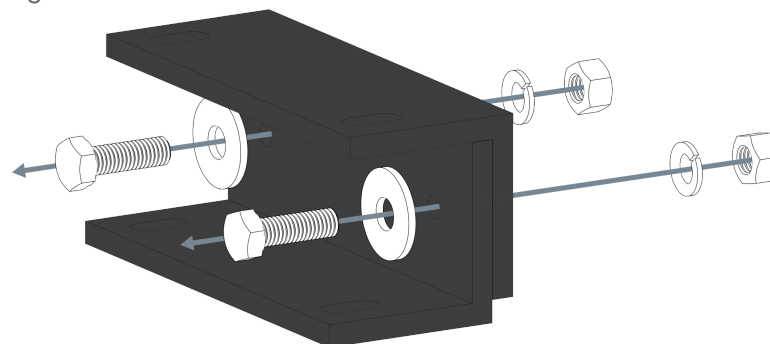
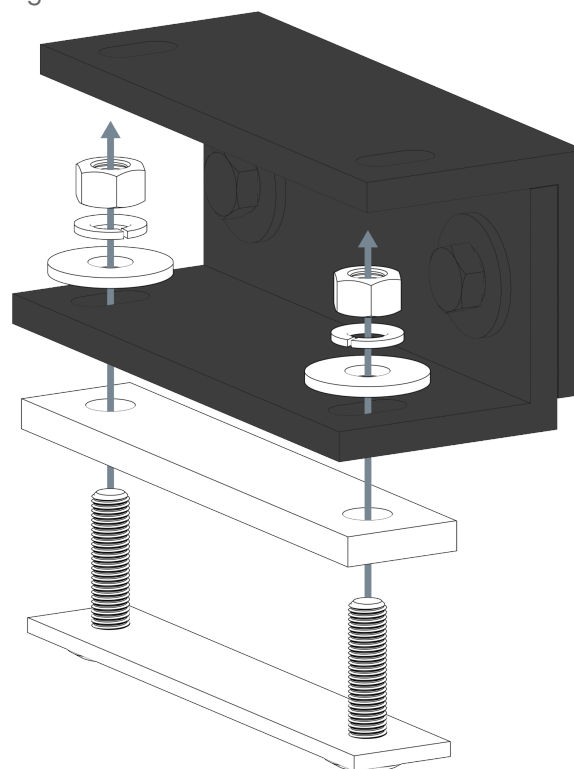


Fig 2.2



3. Once step 2 is complete you should be left with 6 sets of assembled brackets that look similar to Fig 2.3.

Slide 3 bracket assemblies into each of the roof rack tracks with the opening of the “C” facing the outside of the van. Refer to Fig 2.4 for orientation reference.

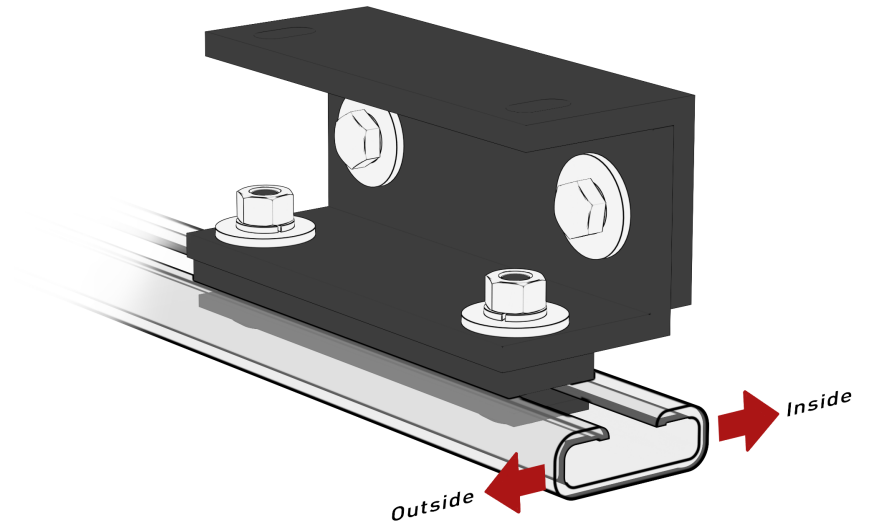
4. Raise the rear section of the roof rack onto the roof of the van. A separate ladder is recommended for this step.

Note: For this step, it would be INCREDIBLY helpful to have a second pair of hands to help with this portion of the installation. If you’re attempting this on your own, we recommend 1 or 2 large mover’s blankets to act as a cushion between the roof rack and the roof of your van to prevent damage to your paint.

Fig 2.3

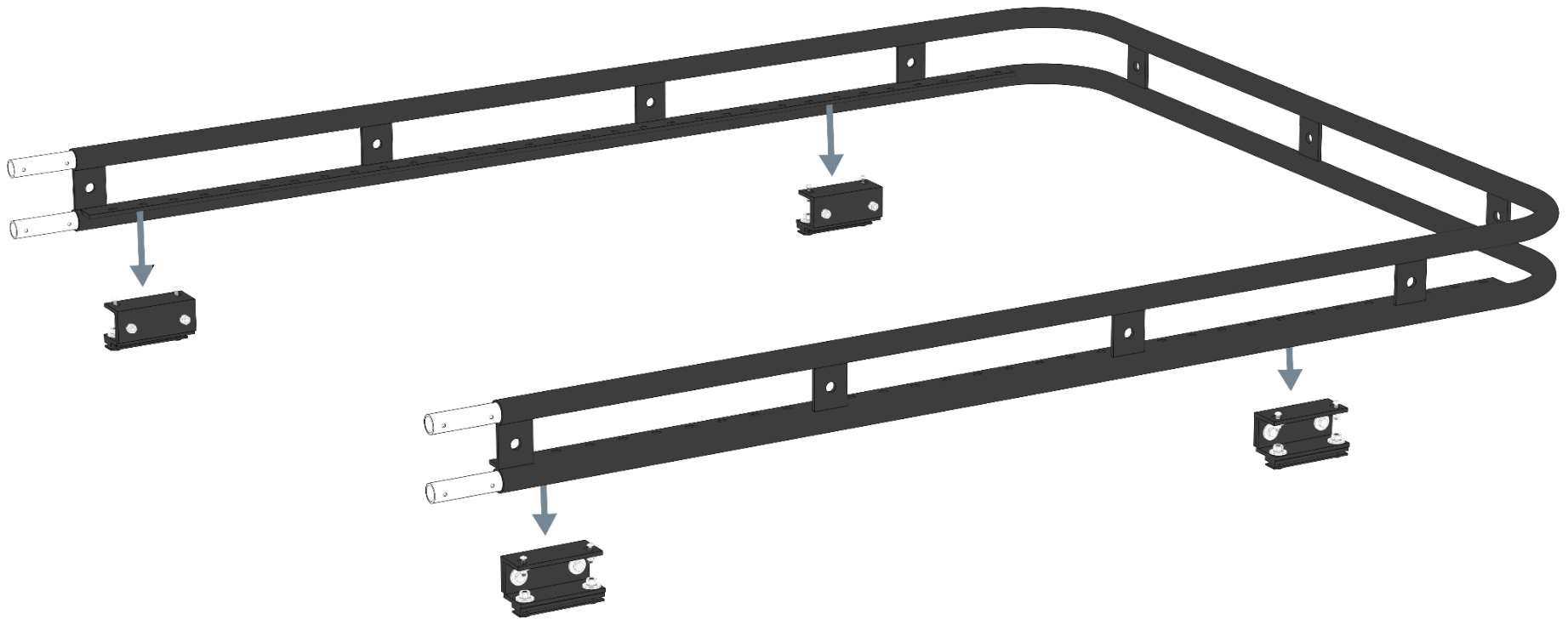
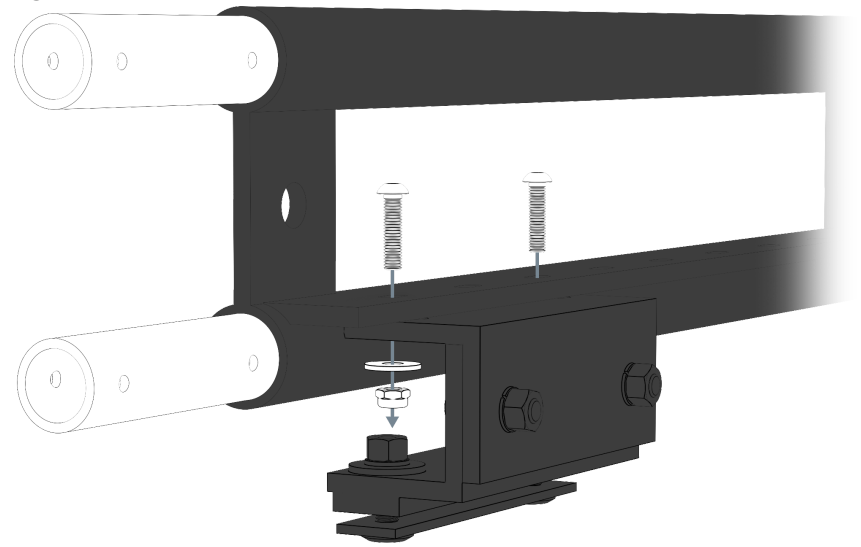


Fig 2.4



5. Loosely secure the rear section of the roof rack to 4 of the bracket assemblies (Fig 2.5.)
6. Raise the front section of the roof rack onto the roof of the van.

Fig 2.5



7. Gently work the front section of the roof rack onto the locating posts of the rear section of the roof rack as shown in Fig 2.6.

8. Loosely fasten the front roof rack section to the bracket assemblies.

9. Check assembly for alignment and finish installation by tightening the screws between the roof racks (Fig 2.7) and followed by tightening down each set of brackets.

The fasteners you will need to secure the roof rack sections are:

8x - M6 20mm Hex head bolt

8x - M6 Fender washer

Fig 2.6

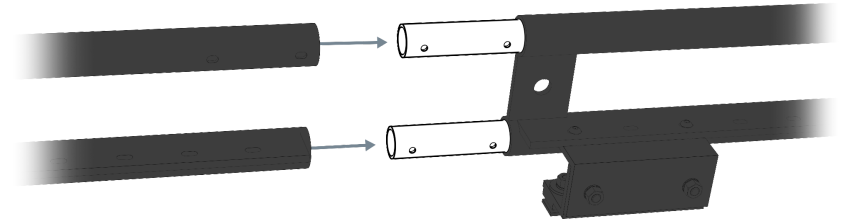
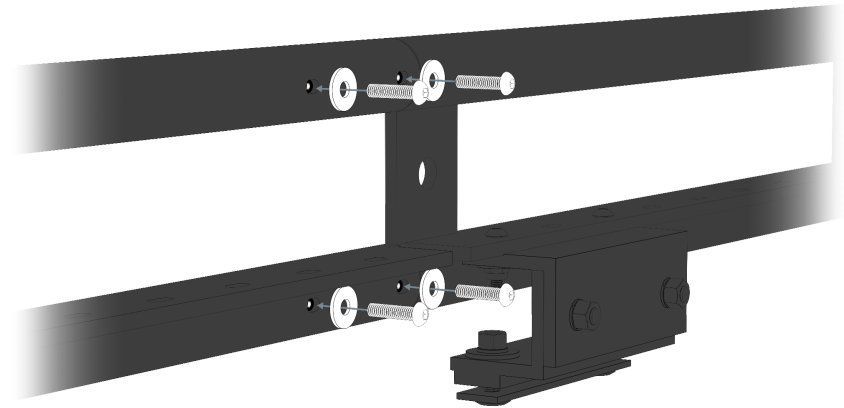


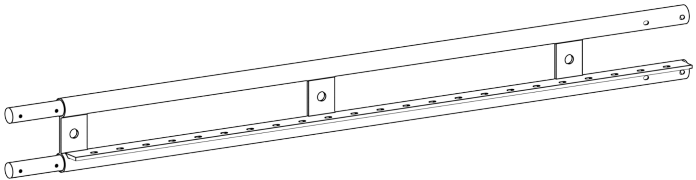
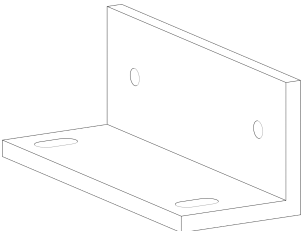
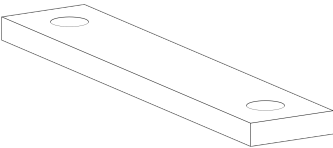
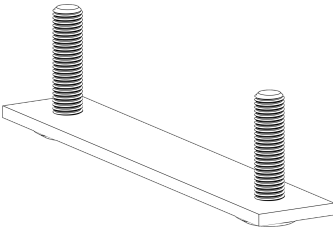
Fig 2.7



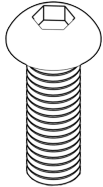
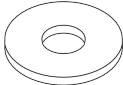
03 | 170" ROOF RACK INSTALLATION

170" EXTENSION PARTS

Roof rack components:

2 - Roof Rack Extensions	12 - L-brackets	6 - Bracket Spacer	6 - Bracket Bolt
			

Fastening hardware:

8 - M6 20mm hex head bolt	8 - M6 fender washer
	

Additional tools:

- 4mm Allen wrench

1. Follow instructions for 144" roof rack installation until step 5.
2. Gently work the roof rack extension onto the locating posts of the rear section of the roof rack as shown in Fig 3.1.

3. Loosely fasten the extension with the included hardware kit as shown in Fig 3.2. Repeat steps 2 & 3 with the opposite extension.

The fasteners you will need to secure the roof rack sections are:
8x - M6 20mm Hex head bolt
8x - M6 Fender washer

4. We recommend moving a pair of the rail mounting brackets forward to support the extension.
5. Resume 144" roof rack installation instructions starting with step 6.

Fig 3.1

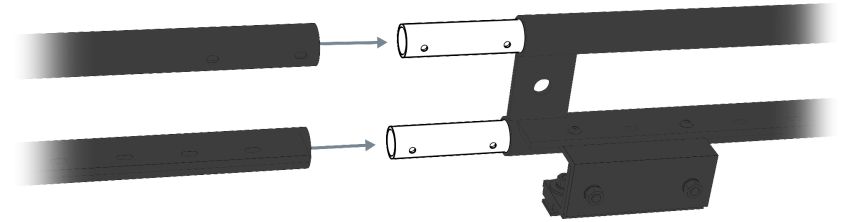
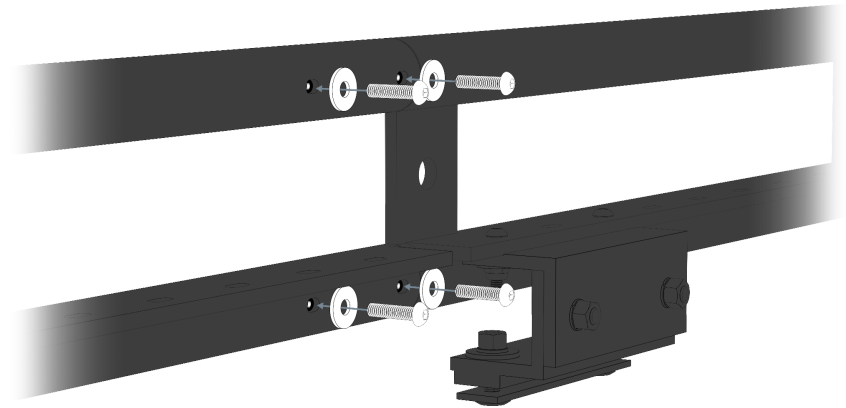


Fig 3.2



04 | ROOF RACK ACCESSORIES

CROSS BAR PARTS

Roof rack parts:

- 1 - Cross bar

Fastening hardware:

- 4 - M6 25mm hex head bolt
- 4 - M6 flat washer
- 4 - M6 fender washer
- 4 - M6 lock nut