

# CONCEALED WEAPONS DETECTION (CWD)

Concealed Weapons Detection (CWD) powered by Evolv Technology is designed to address the active shooter epidemic by taking a proactive approach to keeping people and assets safe. Using advanced sensors and artificial intelligence to detect a wide range of concealed weapons and threats, it is the world's first and only touchless security screening solution that is conducive to supporting post-pandemic security screening requirements. Integrating Evolv's capabilities with Avigilon Control Center (ACC) software, Motorola Solutions' AI-powered video management software, CWD helps security screeners see, understand and act on threats with more speed and accuracy than ever before, making it possible to deliver unprecedented safety while also enhancing the visitor experience. Once a threat is detected and confirmed by a security screener, alarms are sent directly to ACC. Cameras on board the towers then stream live video to ACC, which gets recorded alongside the fixed video security feeds that are installed at the venue.



## FEATURES

### SMART, AI-BASED SENSOR PLATFORM



Evolv Express seamlessly screens up to 3,600 people per hour (60 per minute), eliminating any bottlenecks at points of entry. Unlike legacy metal detectors, wands, and pat downs, the system can intelligently distinguish between threats and everyday items like a cellphone, coins or keys.

### EASY TO OPERATE



Helping security teams to see, understand, and act on potential threats with more speed and accuracy than ever before, CWD provides a simple, targeted solution. Security personnel can see in real-time where the potential threat is on a person's body or in their bag reducing the amount of physical contact. If an object is detected, the individual will be sent to secondary for further investigation.

### RESPECTFUL, HASSLE-FREE EXPERIENCE



A quick, unobtrusive workflow with no stopping required, as individuals are not required to empty their pockets or place their bags in another area for inspection. Visitors and employees can walk naturally side-by-side or in groups through multi-lane entrances without any pause, based on the site's pre-defined procedures.

### FLEXIBLE DEPLOYMENT OPTIONS



CWD is easy to set up and move and can be used both indoors and outdoors. This flexibility enables the system to be used at different entrances and for special events. Choose from five different sensitivity settings to optimize for different threat levels.

# SPECIFICATIONS

PHYSICAL			
Dimensions	Dual Lane	Depth	40.3in (102.4cm)
		Width	130.6in (331.7cm)
		Length	74in (188cm)
	Single Lane	Depth	40.3in (102.4cm)
		Width	73.8in (187.5cm)
		Length	74in (188cm)
Mat	Lip	0.184in (0.47cm)	
	Height	0.89in (2.3cm)	
Weight	Dual Lane	352 lbs (159.7kg)	
	Single Lane	281 lbs (127.5kg)	
Lane Opening		Each 39.8in (101.1cm)	

ENVIRONMENTAL	
Operating Temperature	Min: -20C, Max: +55C
Storage Temperature	Min: -40C, Max: +70C
Relative Humidity	Up to 95% <sup>1</sup>
Ingress Rating	Standard IP54; Outdoor IP56 <sup>2</sup>

<sup>1</sup> Outdoor rated unit is Condensing

<sup>2</sup> Power and data connectors are IP67, resisting water ingress up to 6"

ELECTRICAL	
Power	100VAC - 240VAC (+/-10%); single phase; with power cord supplied
Power Consumption	200W max power consumption

COMPONENTS	
Cameras	2 situational awareness cameras (front and rear) <sup>3</sup>
Tablet Display	15.6inch display (39.6cm) , 2 per lane (1 Floor and 1 Desktop Stand) Standard or Outdoor tablets based on optional Outdoor unit

<sup>3</sup> Camera ports are isolated from Express internal and external networks

NETWORK	
Network	100BASE-TX, RJ45 Connector, CAT5e Cabling

PERIPHERALS	
USB Port	USB 2.0
Ethernet Port	Ethernet (RJ45) for Tablet

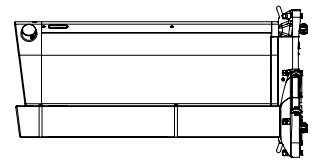
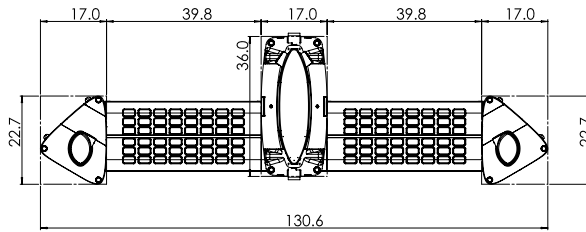
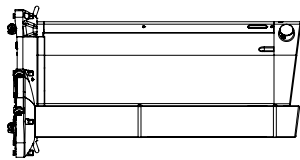
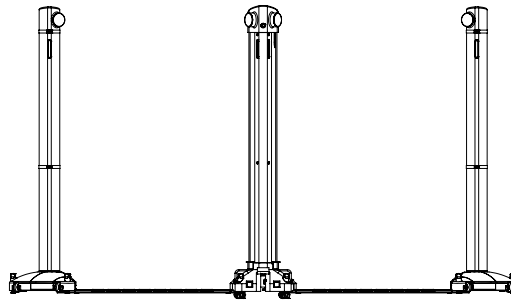
CERTIFICATIONS	
Certifications/Directives	CE RCM
Safety	EN/IEC 61010-1 U.S. Americans with Disabilities Act Compliant Access
EMC	FCC Part 15 Subpart B, Class A, ICES-003 Class A, EN 55011

## OUTLINE DIMENSIONS

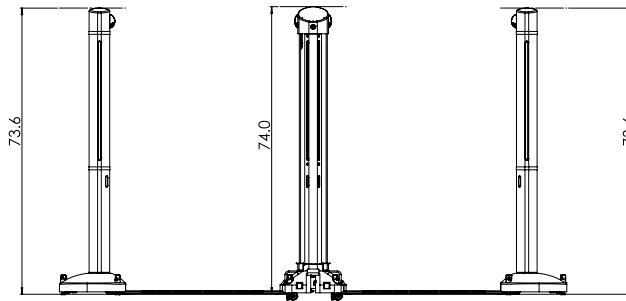
### DUAL LANE

[X.X]	INCHES
X	MM

Rear View (from guard's perspective)

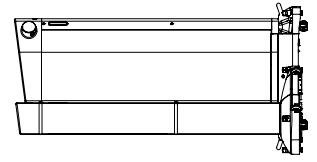
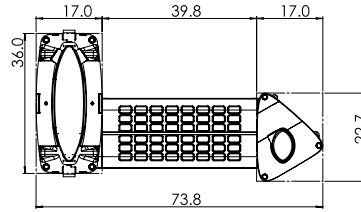
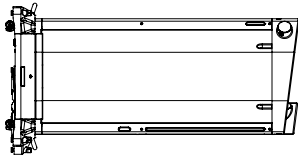
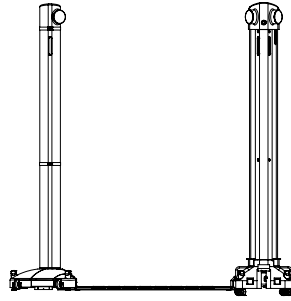


Front View (as people enter)

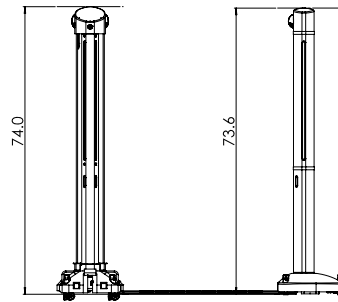


## SINGLE LANE—LEFT

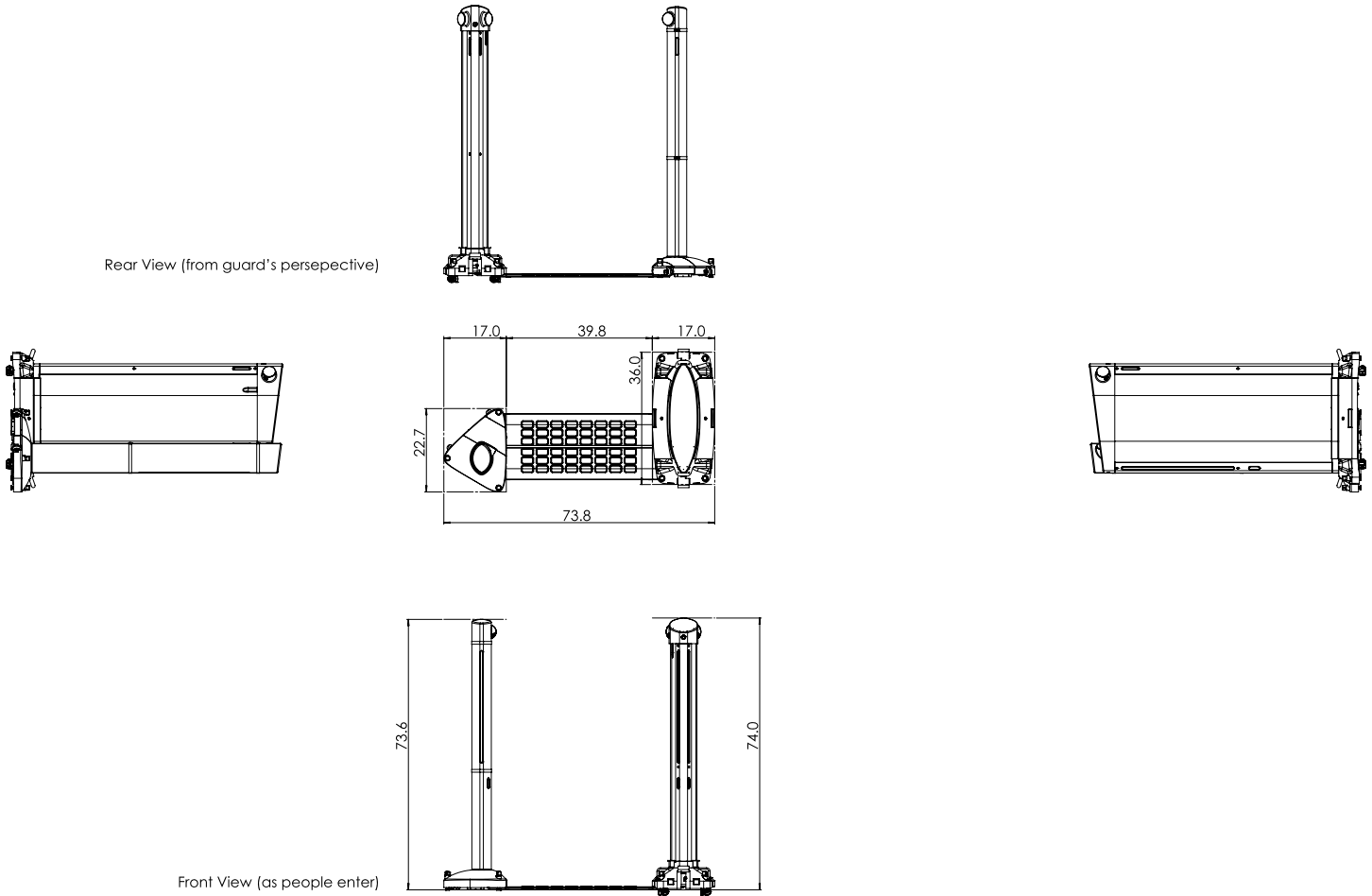
Rear View (from guard's perspective)



Front View (as people enter)



## SINGLE LANE—RIGHT



## PHYSICAL CONFIGURATIONS

CONFIGURATION	DESCRIPTION
2 lane	From the perspective of the security operator watching people exit the towers, the receiver towers are on both sides of the center transmitter tower.
1 lane, Right Side	From the perspective of the security operator watching people exit the towers, the receiver tower is on the right side of the transmitter tower.
1 lane, Left Side	From the perspective of the security operator watching people exit the towers, the receiver tower is on the left side of the transmitter tower.