

1

2

3

4

D

D

C

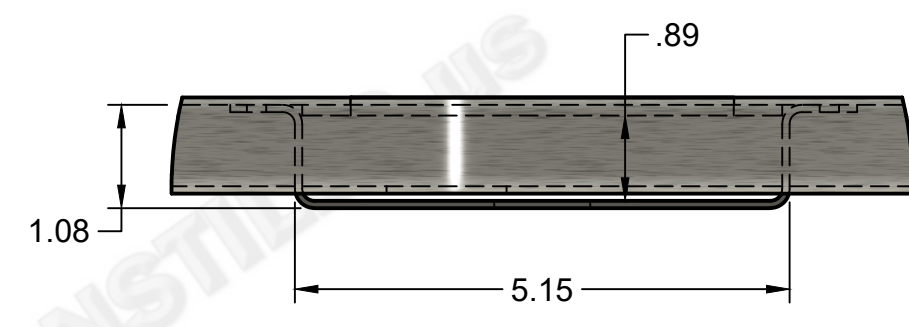
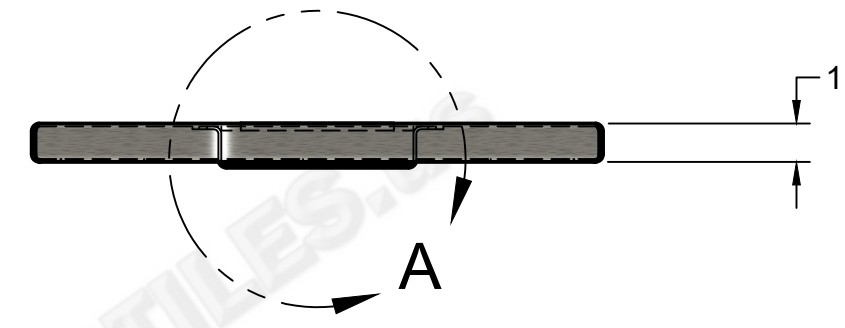
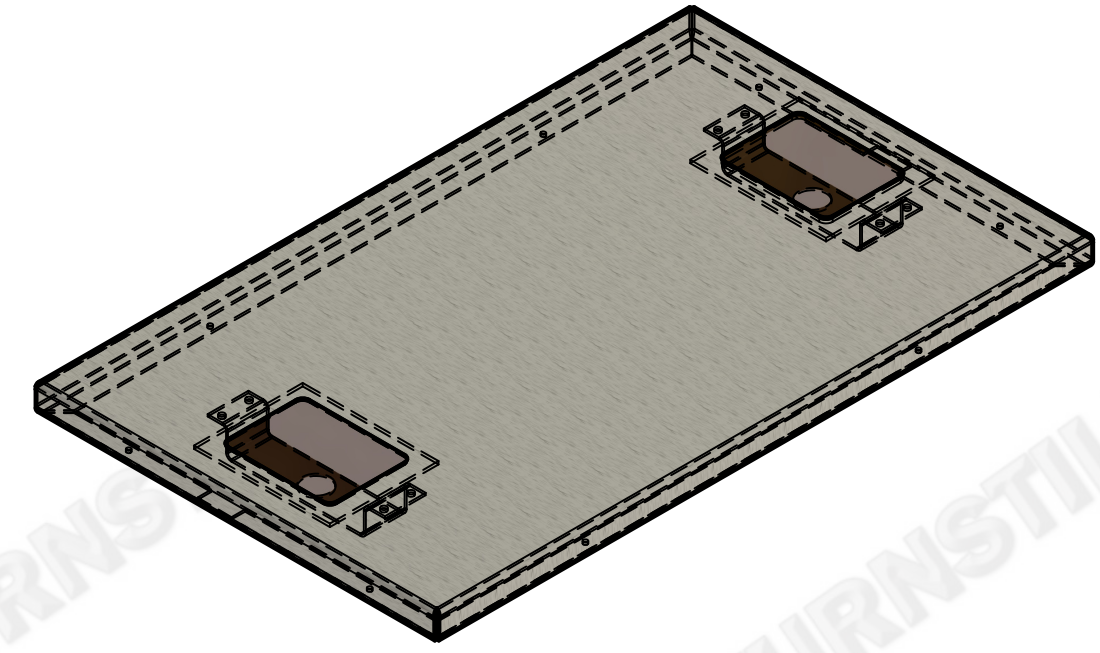
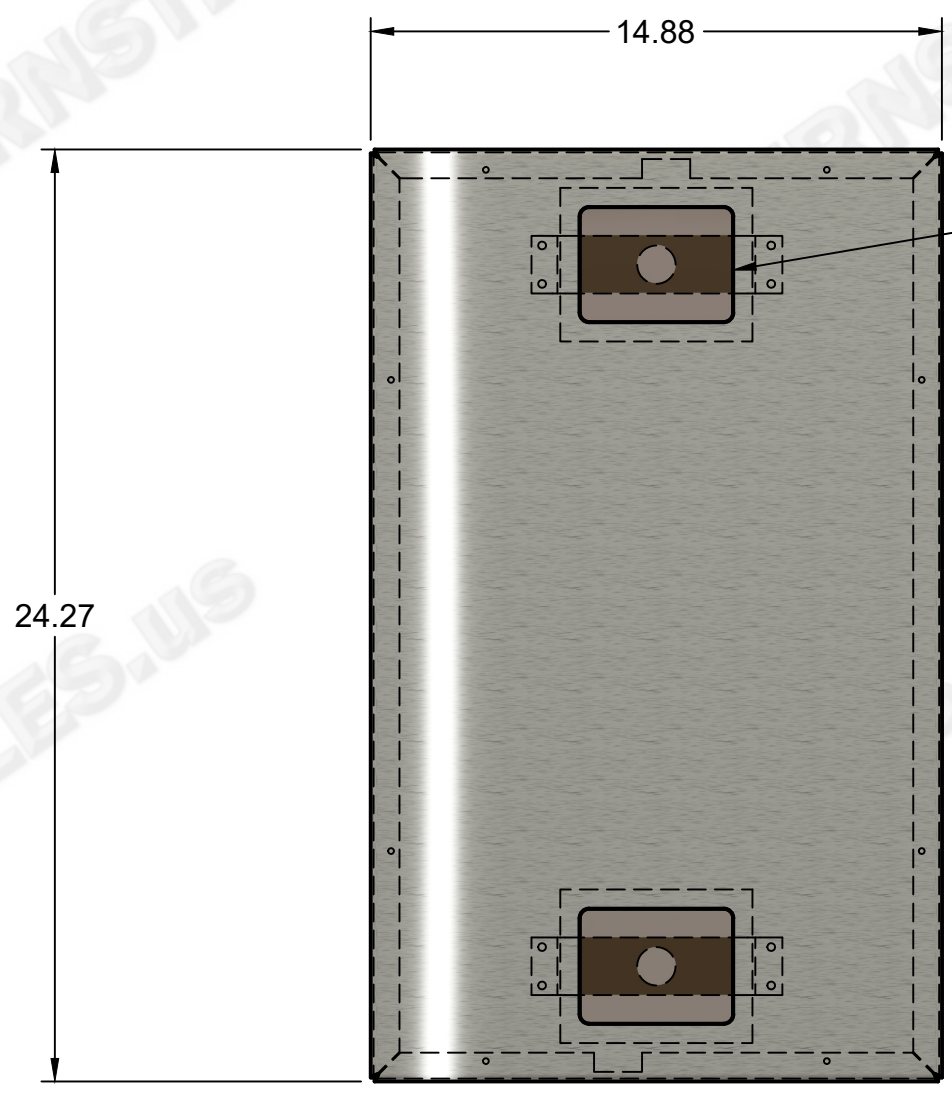
C

B

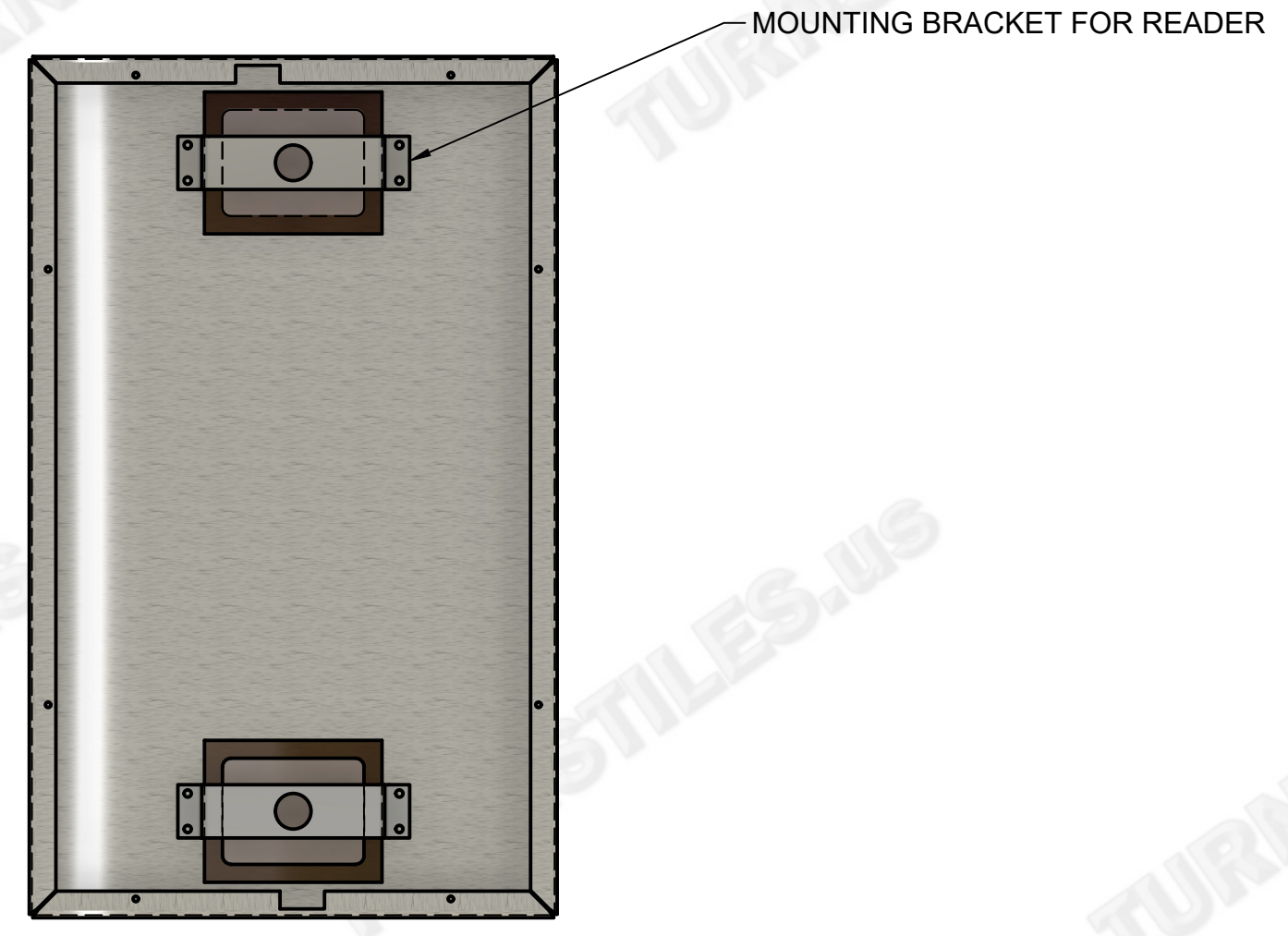
B

A

A



DETAIL A
SCALE 1:2



FIRST DRAWN	BY
11/07/24	JM
REVISED	BY

COPYRIGHT © TURNSTILES.US
 Copyright © Turnstiles.us All rights reserved. Reproduction or translation of this work without the express written permission of TURNSTILES.US is unlawful and is an infringement of intellectual property belonging to TURNSTILES.US.
 All drawings and/or designs are restricted for use exclusively with a purchase, installation, and/or support from Turnstiles.us. Any other use of these materials is a violation of copyright law. Request for additional information should be addressed to the Legal Department, Turnstiles.us.

TURNSTILES.US
 SECURING THE USA and the GLOBE since 1989
www.TURNSTILES.us
 Call: 303-670-1099 | Text: 303-918-9787
patrick.mcallister@turnstiles.us

EQUIPMENT DETAIL	
www.TURNSTILES.us Reader Mounting Bracket Equipment Dimension Detail	
DRAWING:	
Reader Mounting Bracket Equipment Dimension Detail	
DATE:	11-07-24
PAGE:	1 OF 1