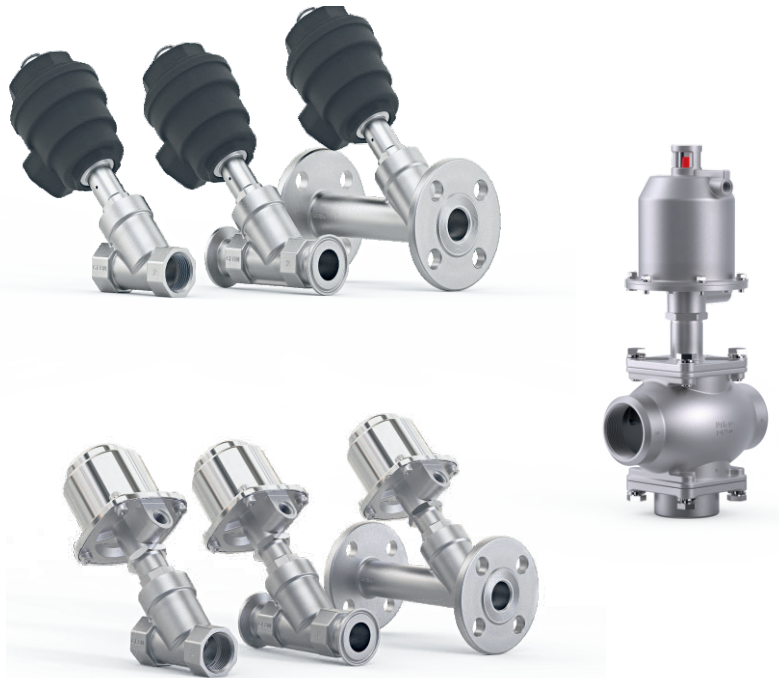


Automation
Simplified...



Solenoid Valve

Angle Seat Valve

Rotary Coupling

Pneumatic Directional Control Valve

Actuator

Cylinder

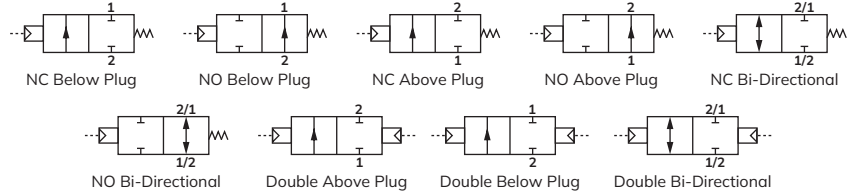
One Touch Fitting

Ball Valve

Butterfly Valve



Angle seat valves are 2/2 way pneumatically actuated piston valves. The piston actuator provides a linear motion to lift the seal off its seat. Because the seat is positioned under an angle, the flow is minimally impeded in the open position, resulting in an excellent flow rate and a low pressure loss. They are used to regulate the flow of liquids, gases, steam, vacuum and even aggressive fluids. They can also operate with high temperatures and high viscosity media, even under zero differential pressures. The robust design makes UFLOW angle seat valves a popular choice for harsh applications and they have very high life cycle. Therefore they are an excellent alternative to Ball valves with actuator combo. These valves are also suitable alternatives for solenoid valves, especially with contaminated, viscous media where typical solenoid valves would fail. They may be operated using a single acting or double acting configuration, which has an influence on its pressure rating.



Specifications

Port :	1/2", 3/4", 1", 1 1/4", 1 1/2", 2" & 2 1/2" (Available in BSP / NPT)
End Connection :	Screwed / Flange / Tri-Clamp / Socket Weld
Body & Sleeve Material :	SS ASTM A351 Grade CF8 / CF8M / CF3M
Seal :	PTFE / PEEK / VITON
Shaft :	SS304 / SS316
Circumstance Temp :	-10°C to 70°C
Media Temp :	-10°C to 180°C
Other Specification Data:	Available on request - Adjust Stroke Limiter - Position Sensor

Features

- Convertible from single Acting to Double Acting.
- Multiple Function with the same operator - NC / NO / Bi-Directional.
- Rotatable Actuator- 360°.
- Transparent dome for visual confirmation of the valve's position/state
- Lubricated air not essential.
- Flow direction below or above the seat.
- Media: Steam, Air, Water, Chemical, Gases, Oil, Diesel, Hot Water.
- Application: Steam, Autoclave and Sterilizer, Ink and Paint dispensing, Industrial compressor bottling and dispensing equipment, textile dying and drying and pharmaceutical.

Section View



Actuator Type

Cover :	Nylon Glass-Filled (Corrosion resistive) with SS Liner
Seal :	NBR / VITON
Working Pressure :	Refer Below Pressure Chart Table
Life :	Three Million Cycle Tested
Other Technical Data :	Available on Request

Dimension With Screwed End (All dimensions in mm)

All Dimensions are approx.

Model No.	Actuator	Port Size	Diagram No.	A	B	C	D	E	F	G	H	I
ACP-2054V1	40	1/2"	28.1	65	144	131	154	65	24	G 1/4"	32	M5
ACP-2055V1	50	1/2"	28.1	65	153	141	163	70	24	G 1/4"	32	M5
ACP-2056V1	63	1/2"	28.1	65	171	158	181	85	24	G 1/4"	32	M5
ACP-3054V1	40	3/4"	28.1	77	150	134	161	65	24	G 1/4"	32	M5
ACP-3055V1	50	3/4"	28.1	77	160	144	171	70	24	G 1/4"	32	M5
ACP-3056V1	63	3/4"	28.1	77	177	161	187	85	24	G 1/4"	32	M5
ACP-4055V2	50	1"	28.1	89	177	157	185	70	24	G 1/4"	32	M5
ACP-4056V2	63	1"	28.1	89	194	174	202	85	24	G 1/4"	32	M5
ACP-4059V2	90	1"	28.1	89	221	201	229	126	24	G 1/4"	32	M5
ACP-5056V2	63	1 1/4"	28.1	110	199	175	209	85	24	G 1/4"	32	M5
ACP-5059V2	90	1 1/4"	28.1	110	225	201	236	126	24	G 1/4"	32	M5
ACP-6059V2	90	1 1/2"	28.1	124	239	211	247	126	24	G 1/4"	32	M5
ACP-8059V2	90	2"	28.1	150	260	227	269	126	24	G 1/4"	32	M5
ACP-9039V2	90	2 1/2"	28.1	168	281	239	261	126	24	G 1/4"	32	M5

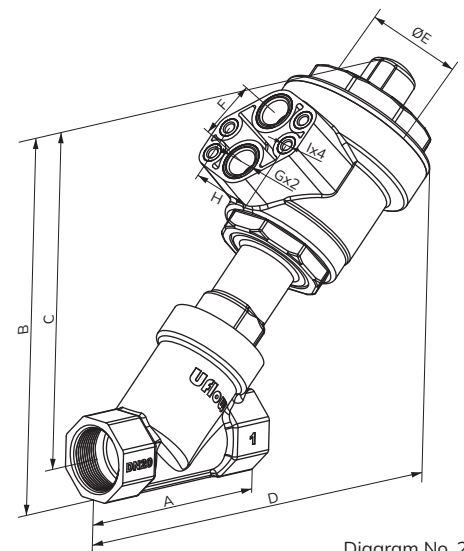


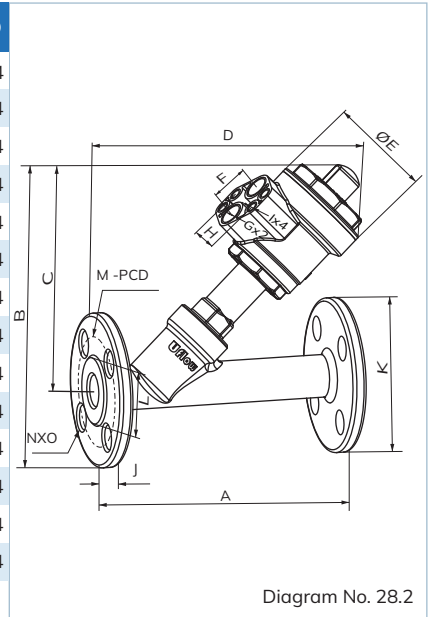
Diagram No. 28.1

Angle Seat Valve with Plastic Actuator Operated - ACP Series

Dimension With Flange (ASME 16.5 #150) (All dimensions in mm)

All Dimensions are approx.

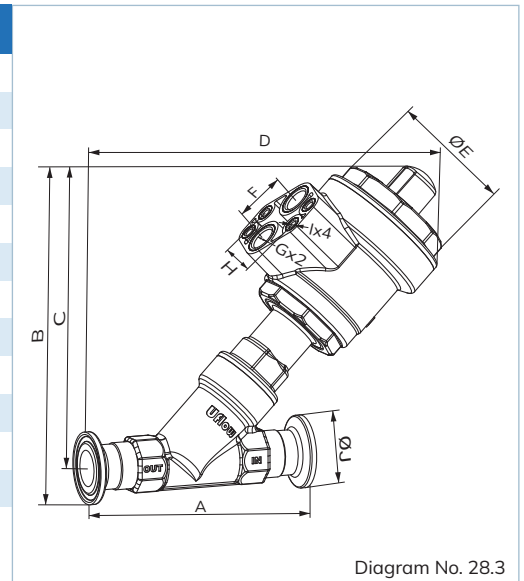
Model No.	Actuator	Port Size	Diagram No.	A	B	C	D	E	F	G	H	I	J	K	L	M	NXO
ACP-2054FV1	40	½"	28.2	163	176	131	165	65	24	G¾"	32	M5	8	90	35	60	16X4
ACP-2055FV1	50	½"	28.2	163	186	141	175	70	24	G¾"	32	M5	8	90	35	60	16X4
ACP-2056FV1	63	½"	28.2	163	203	158	192	85	24	G¾"	32	M5	8	90	35	60	16X4
ACP-3054FV1	40	¾"	28.2	172	184	134	171	65	24	G¾"	32	M5	9	100	43	70	16X4
ACP-3055FV1	50	¾"	28.2	172	194	144	181	70	24	G¾"	32	M5	9	100	43	70	16X4
ACP-3056FV1	63	¾"	28.2	172	211	161	198	85	24	G¾"	32	M5	9	100	43	70	16X4
ACP-4055FV2	50	1"	28.2	181	212	157	196	70	24	G¾"	32	M5	10	110	51	79	16X4
ACP-4056FV2	63	1"	28.2	181	229	174	208	85	24	G¾"	32	M5	10	110	51	79	16X4
ACP-4059FV2	90	1"	28.2	181	256	201	240	126	24	G¾"	32	M5	10	110	51	79	16X4
ACP-5056FV2	63	1¼"	28.2	182	233	175	227	85	24	G¾"	32	M5	11	115	64	89	17X4
ACP-5059FV2	90	1¼"	28.2	182	259	202	254	126	24	G¾"	32	M5	11	115	64	89	17X4
ACP-6059FV2	90	1½"	28.2	212	274	211	269	126	24	G¾"	32	M5	13	125	73	98	16X4
ACP-8059FV2	90	2"	28.2	208	302	226	275	126	24	G¾"	32	M5	14	150	91	121	19X4
ACP-9039FV2	90	2½"	28.2	231	329	239	294	126	24	G¾"	32	M5	13	180	106	140	20X4



Dimension With Tri-Clamp (All dimensions in mm)

All Dimensions are approx.

Model No.	Actuator	Port Size	Diagram No.	A	B	C	D	E	F	G	H	I	J
ACP-2054TV1	40	½"	28.3	109	148	131	176	65	24	G¾"	32	M5	34
ACP-2055TV1	50	½"	28.3	109	158	141	185	70	24	G¾"	32	M5	34
ACP-2056TV1	63	½"	28.3	109	175	158	203	85	24	G¾"	32	M5	34
ACP-3054TV1	40	¾"	28.3	115	160	134	180	65	24	G¾"	32	M5	50
ACP-3055TV1	50	¾"	28.3	115	169	144	190	70	24	G¾"	32	M5	50
ACP-3056TV1	63	¾"	28.3	115	186	161	207	85	24	G¾"	32	M5	50
ACP-4055TV2	50	1"	28.3	130	182	157	206	70	24	G¾"	32	M5	50
ACP-4056TV2	63	1"	28.3	130	199	173	222	85	24	G¾"	32	M5	50
ACP-4059TV2	90	1"	28.3	130	225	200	249	126	24	G¾"	32	M5	50
ACP-5056TV2	63	1¼"	28.3	145	200	175	227	85	24	G¾"	32	M5	50
ACP-5059TV2	90	1¼"	28.3	145	227	202	254	126	24	G¾"	32	M5	50
ACP-6059TV2	90	1½"	28.3	160	243	211	264	126	24	G¾"	32	M5	64
ACP-8059TV2	90	2"	28.3	190	258	226	288	126	24	G¾"	32	M5	64



Technical Data

Pipe (Inch)	Body Material	Orifice (mm)	Seal & 'O' Ring Material	Flow Factor Kv m³ / hr
½"	CF8 / CF8M	15	PTFE / PEEK / VITON	6
¾"	CF8 / CF8M	20	PTFE / PEEK / VITON	10.9
1"	CF8 / CF8M	25	PTFE / PEEK / VITON	21
1¼"	CF8 / CF8M	32	PTFE / PEEK / VITON	35
1½"	CF8 / CF8M	40	PTFE / PEEK / VITON	49
2"	CF8 / CF8M	50	PTFE / PEEK / VITON	68
2½"	CF8 / CF8M	65	PTFE / PEEK / VITON	120

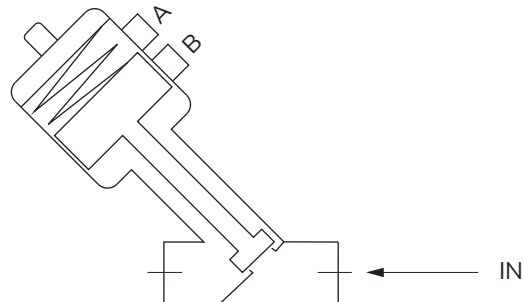
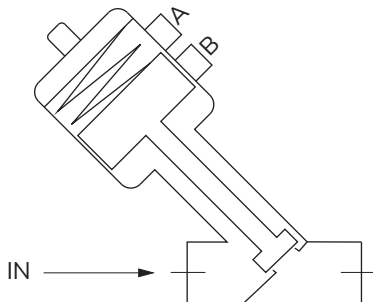
Pressure Chart

Pipe (Inch)	Actuator	NC				NO				Double Acting			
		Above Plug		Below Plug		Above Plug		Below Plug		Above Plug		Below Plug	
		Pilot Pressure	Line Pressure	Pilot Pressure	Line Pressure	Pilot Pressure	Line Pressure	Pilot Pressure	Line Pressure	Pilot Pressure	Line Pressure	Pilot Pressure	Line Pressure
1/2"	40	4.5	16	-	-	4.5	16	-	-	4.5	20	4	16
		4.5	20	-	-	6	18	-	-	3	16	4.5	20
3/4"	40	5.5	16	-	-	-	-	-	-	3.8	16	4.5	16
		6.2	19	-	-	-	-	-	-	5	20	5	20
		-	-	-	-	-	-	-	-	-	-	-	-
3/4"	50	4.5	16	-	-	4	13	6.5	12	3.5	16	5	16
		5.5	20	-	-	-	-	-	-	4.5	20	5.5	20
		-	-	-	-	-	-	-	-	-	-	-	-
1"	63	5.5	16	-	-	4.5	15	7	8	4.5	16	4.5	16
		4.5	20	-	-	-	-	-	-	4.5	20	5	20
		-	-	-	-	-	-	-	-	-	-	-	-
1 1/4"	63	6.5	16	-	-	4.5	13	-	-	3.5	16	6	16
		6.5	20	-	-	-	-	-	-	6	20	6.5	20
1 1/2"	63	4.5	12	-	-	-	-	7	9	5	10	-	-
		-	-	-	-	4.5	8	-	-	7	16	-	-
		-	-	-	-	-	-	-	-	-	-	-	-
1 1/2"	90	4.5	16	-	-	4.5	10	7	9	4.7	16	4	16
		5	20	-	-	-	-	-	-	5	20	5	20
		-	-	-	-	-	-	-	-	-	-	-	-
2"	90	5.8	16	-	-	5	16	7	10	5.5	16	7	18
		7	19	-	-	-	-	-	-	6.2	20	-	-
		-	-	-	-	-	-	-	-	-	-	-	-
2 1/2"	90	7	10.5	-	-	-	-	-	-	-	-	-	-
		4.5	7	-	-	-	-	-	-	-	-	-	-

Pressure Above Plug

Pressure Below Plug

	A	B
Normally Open	Pilot Inlet	Exhaust
Normally Close	Exhaust	Pilot Inlet



2 1/2"

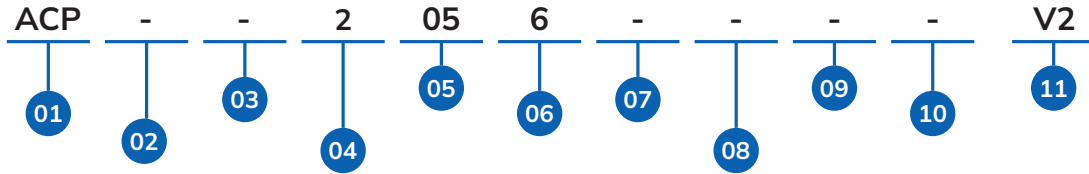
CF8 / CF8M

65

PTFE / PEEK / VITON

120

ACP - SERIES ANGLE SEAT VALVE WITH PLASTIC OPERATOR MODEL CHART



01	SERIES
ACP	

02	PRODUCT TYPE
-	Angle Seat Valve Plastic Operator

03	BODY MATERIAL
-	CF8
M	CF8M
C	CF3M

04	PORT SIZE
2	1/2"
3	3/4"
4	1"
5	1-1/4"
6	1-1/2"
8	2"
9	2 1/2"

05	PRESSURE RANGE
02	0 - 2 Bar
03	0 - 7 Bar
04	0 - 10 Bar
05	0 - 16 Bar
11	0 - 25 Bar
13	0 TO 4 Bar
14	0 - 3 Bar
21	0 TO 20 Bar
32	0 TO 8 Bar
38	0 TO 12 Bar

06	ACTUATOR SIZE
4	40 Namur
5	50 Namur
6	63 Namur
8	80 Namur
9	90 Namur
1	100 Namur

07	PORT CONNECTION
-	BSP
N	NPT
F	Flange End
T	Triclover END
P	BSPT
S	SOCKET
G	BSP With SW

08	VALVE POSITION
-	NC Above
Z	NO Above
D	Double Above
C	NC Below
O	NO Below
B	Double Below
R	Bi Directional NC
L	Bi Directional NO
I	Bi Directional DOUBLE

09	APPROVALS
-	No Approval
E	PED

10	CONFIG
-	REGULAR
C1	CONFIG 1
C2	CONFIG 2
C3	CONFIG 3
...	...
C9	CONFIG 9
CA	CONFIG 10
CB	CONFIG 11

11	VERSION
-	VERSION 0
V1	VERSION 1
V2	VERSION 2
V3	VERSION 3
...	...
V9	VERSION 9
VA	VERSION 10
VB	VERSION 11

ACP-2056V2
1/2" ANGLE SEAT VALVE PLASTIC OPERATOR CF8-PTFE-0 TO 16 BAR-63MM NAMUR-BSP-NC ABOVE-VERSION 2

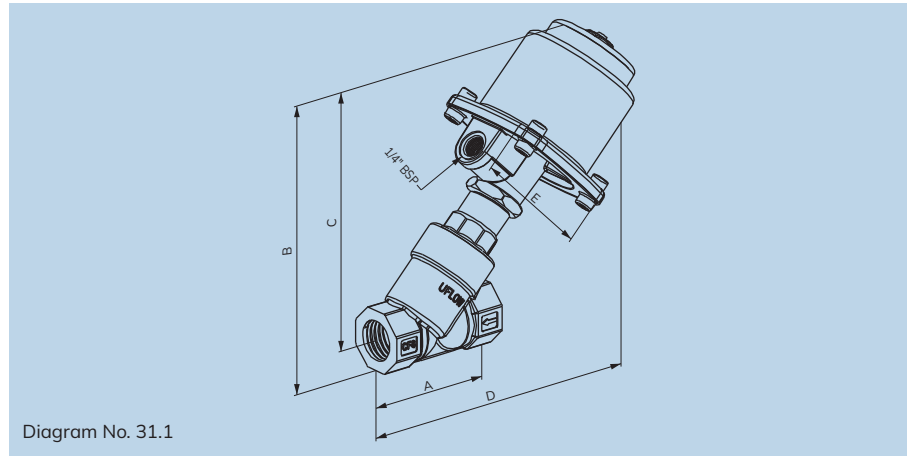
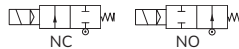


Diagram No. 31.1



Specifications

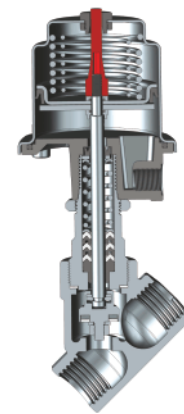
Port :	½", ¾", 1", 1¼", 1½" & 2" (Available in BSP/NPT)
End Connection :	Screwed / Flange / Tri-Clamp / Socket Weld
Body Material :	SS ASTM A351 Grade CF8 / CF8M / CF3M
Seal :	PTFE / VITON
Circumstance Temp :	-10°C to 70°C
Media Temp :	-10°C to 180°C
Media :	Steam, Air, Water, Chemical, Gases, Oil, Diesel, Hot Water
Other Specification Data:	Available on request - Adjust Stroke Limiter - Position Sensor

Dimension - NC (All dimensions in mm)

All Dimensions are approx.

Model No.	Port Size	Diagram No.	A	B	C	D	E
YCP-205NV1	½"	31.1	65	155	142	165	90
YCP-305NV1	¾"	31.1	77	161	145	171	90
YCP-405NV2	1"	31.1	89	182	162	190	90
YCP-505NV2	1¼"	31.1	110	198	174	209	90
YCP-605NV2	1½"	31.1	124	202	175	210	90
YCP-803NV2	2"	31.1	150	225	191	234	90

Section View



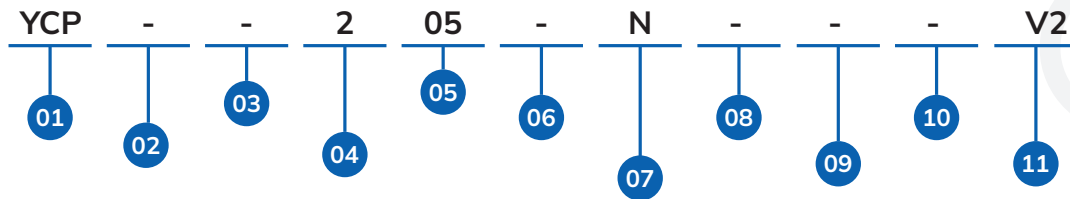
Actuator Type

Cover :	SS304
Plate :	Aluminium Die-Cast
Working Pressure :	3.5 to 7 bar air (Not Recommended actuator for pneumatic pressure above 7 bar)
Seal Material :	NBR / VITON
Life :	More than ten million cycle
Other Technical Data :	Available on Request

Technical Data

Model No.	Body Material	Pipe (Inch)	Orifice (mm)	Min. Operating Pressure Kg/cm ²	Max. Operating Pressure Kg/cm ²	Seal & 'O' Ring Material	Flow Factor Kv m ³ / hr
YCP-205NV1	CF8 / CF8M	½"	15	0	16	PTFE / VITON	6
YCP-305NV1	CF8 / CF8M	¾"	20	0	16	PTFE / VITON	10.9
YCP-405NV2	CF8 / CF8M	1"	25	0	16	PTFE / VITON	21
YCP-505NV2	CF8 / CF8M	1¼"	32	0	16	PTFE / VITON	35
YCP-605NV2	CF8 / CF8M	1½"	40	0	16	PTFE / VITON	49
YCP-803NV2	CF8 / CF8M	2"	50	0	07	PTFE / VITON	68

YCP - SERIES ANGLE SEAT VALVE WITH STEEL OPERATOR MODEL CHART



01	SERIES
	YCP

02	PRODUCT TYPE
-	Angle Seat Valve Steel Operator

03	BODY MATERIAL
-	CF8
M	CF8M
C	CF3M

04	PORT SIZE
2	1/2"
3	3/4"
4	1"
5	1-1/4"
6	1-1/2"
8	2"
9	2-1/2"

05	PRESSURE RANGE
11	0 - 25 Bar
14	0 - 3 Bar
17	0 - 60 Bar
21	0 - 20 Bar
02	0 - 2 Bar
03	0 - 7 Bar
04	0 - 10 Bar
05	0 - 16 Bar

06	OPERATOR SIZE
-	70mm
1	100mm
2	120mm

07	PORT CONNECTION
-	BSP
N	NPT
F	Flange End
T	Tri Clover End
G	BSP With SW
P	BSPT
S	Socket

08	VALVE POSITION
-	NC Above
Z	NO Above
C	NC Below
O	NO Below
R	BI Directional NC
L	BI Directional NO

09	APPROVALS
-	No Approval

10	CONFIGURATION
-	REGULAR
C1	CONFIG 1
C2	CONFIG 2
C3	CONFIG 3
⋮	⋮
C9	CONFIG 9
CA	CONFIG 10
CB	CONFIG 11

11	VERSION
-	VERSION 0
V1	VERSION 1
V2	VERSION 2
V3	VERSION 3
⋮	⋮
V9	VERSION 9
VA	VERSION 10
VB	VERSION 11

YCP-205NV2
1/2" ANGLE SEAT VALVE STEEL OPERATOR CF8-PTFE-0 TO 16 Bar-70MM OPERATOR-NPT-NC ABOVE -VERSION 2

Note: The above chart is for identification purposes only, and it may not be possible to make all combinations for the above chart.



Specifications

Port :	Refer below technical data sheet (Available BSP / NPT)
End Connection :	Screw End
Body Material :	SS ASTM A351 Grade CF8
Seal :	PTFE / VITON
Circumstance Temp :	-10°C to 70°C
Media Temp :	-10°C to 180°C
Media :	Steam, Air, Water, Chemical, Gases, Oil, Diesel, Hot Water
Leakage :	As per ANSI B16.104 - 1976 Teflon seating class IV. For other soft seating class VI Drop Tight/Bubble Tight.
Stem Packing :	Self adjusting, Spring loaded Teflon packing.
Air Quality :	Lubricated /Non-lubricated.

Actuator (Spring Return) Type

Cover :	CF8
Plate :	CF8
Working Pressure :	4.5 to 7 bar air (Not Recommended actuator for pneumatic pressure above 7 bar)
Seal Material :	NBR / VITON
Life :	1 million cycle
Other Technical Data :	Available on Request

Mixing

Valves can be used for introducing two different fluids (mixing) through two different ports to common port 'AB'.

Diverting

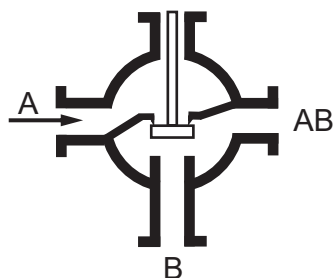
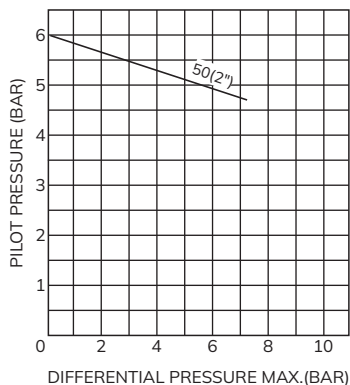
One fluid coming through port 'AB' can be diverted to 'A' port or 'B' port.

Technical Data

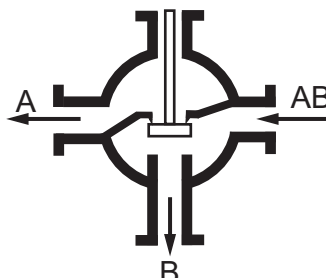
Model No.	Body Material	Pipe (Inch)	Orifice (mm)	Min. Operating Pressure Kg/cm ²	Max. Operating Pressure Kg/cm ²	Seal & 'O' Ring Material	Flow Factor Kv m ³ / hr
TCP-8Z	CF8	2"	45	0	7	PTFE	35

Operation

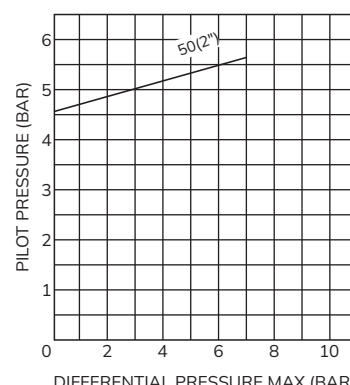
In normal condition, 'A' port is closed and 'AB' port is connected to 'B' or 'B' port is connected to 'AB' port. On receiving pilot pressure, 'A' port is connected to 'AB' or 'AB' port is connected to 'A' closing port B.



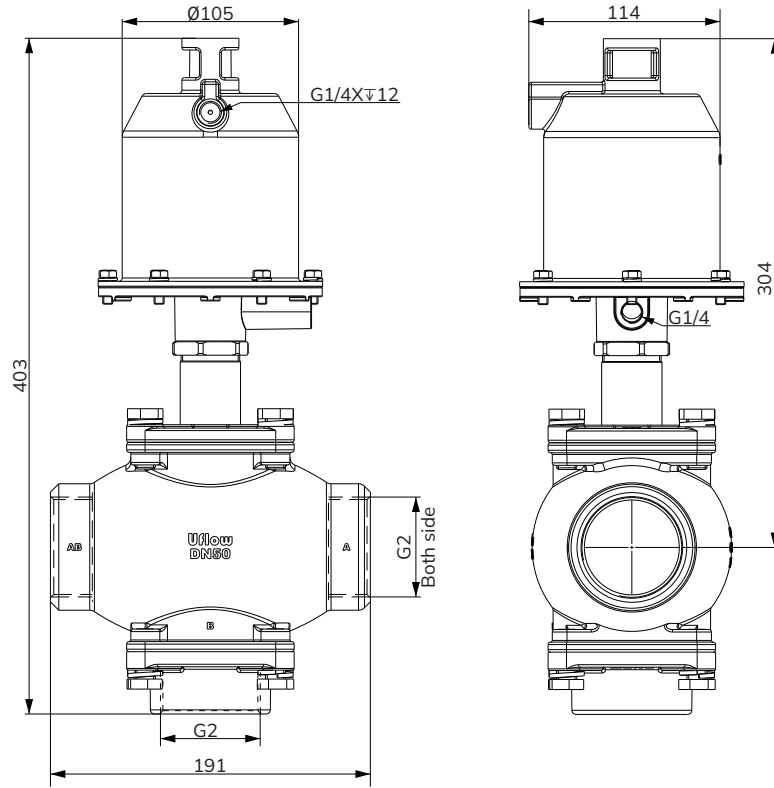
Pressure at Port 'A',
AB Connected 'B' 'A' is Close.



Diverting - Pressure at 'AB'
Connected to 'B' 'A' Port is Close.

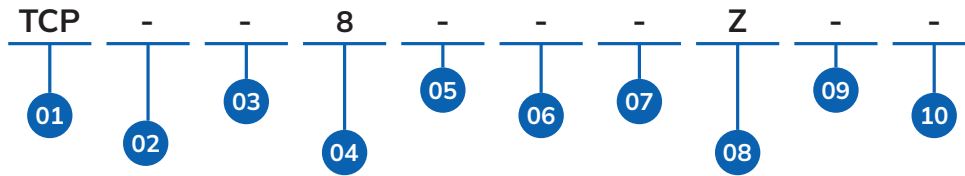


Dimension (All dimensions in mm)



* All dimensions are approx

3 WAY CONTROL VALVE WITH STEEL OPERATOR MODEL CHART



01	SERIES
TCP	

02	PRODUCT TYPE
-	3 Way Control Valve SS Operator

03	BODY MATERIAL
-	CF8
M	CF8M
3	CF3M

04	PORT SIZE
8	2"

05	PRESSURE RANGE
-	0 - 7 Bar

06	ACTUATOR SIZE
-	100 Clean

07	PORT CONNECTION
-	BSP
N	NPT
F	Flange End

08	VALVE POSITION
-	NC Above
Z	NO Above
R	BI Directional NC
L	BI Directional NO

09	CONFIGURATION
-	REGULAR
C1	CONFIG 1
C2	CONFIG 2
C3	CONFIG 3
⋮	⋮
C9	CONFIG 9
CA	CONFIG 10
CB	CONFIG 11

10	VERSION
-	VERSION 0
V1	VERSION 1
V2	VERSION 2
V3	VERSION 3
⋮	⋮
V9	VERSION 9
VA	VERSION 10
VB	VERSION 11

TCP-8Z
2" 3 WAY CONTROL VALVE CF8-PTFE-0 TO 7 Bar
-100 CLEAN-BSP-NO ABOVE

Global Presence...



Made In India



CONTACT US:

For Domestic Inquiry

✉ sales@uflowvalve.com 📞 +91 85110 98822 🌐 www.uflowvalve.com

For Export Inquiry

✉ export@uflowvalve.com 📞 +91 99744 77370 📞 +91 78018 09550

📍 Uflow Automation, Ankur Industrial Complex, Survey No: 275/276, Plot No: 31, Nr. Intol Cast Pvt. Ltd. Shapar(Veraval) Dist.: Gujarat (India) - 360 024.