

**Proceedings of the
16th USENIX Conference on File and Storage Technologies (FAST '18)**

Errata Slip

In the paper “Fail-Slow at Scale: Evidence of Hardware Performance Faults in Large Production Systems” by Haryadi S. Gunawi and Riza O. Suminto, *University of Chicago*; Russell Sears and Casey Golliver, *Pure Storage*; Swaminathan Sundararaman, *Parallel Machines*; Xing Lin and Tim Emami, *NetApp*; Weiguang Sheng and Nematollah Bidokhti, *Huawei*; Caitie McCaffrey, *Twitter*; Gary Grider and Parks M. Fields, *Los Alamos National Laboratory*; Kevin Harms and Robert B. Ross, *Argonne National Laboratory*; Andree Jacobson, *New Mexico Consortium*; Robert Ricci and Kirk Webb, *University of Utah*; Peter Alvaro, *University of California, Santa Cruz*; H. Birali Runesha, Mingzhe Hao, and Huaicheng Li, *University of Chicago* (Tuesday session, “Failing and Recovering,” pp. 1–14 of the Proceedings), the authors have added the following:

Acknowledgement: This work is also supported by the Department of Energy Office of Science User Facility under contract DE-AC02-06CH11357.

In the paper “ALACC: Accelerating Restore Performance of Data Deduplication Systems Using Adaptive Look-Ahead Window Assisted Chunk Caching,” by Zhichao Cao, Hao Wen, Fenggang Wu, and David H.C. Du, *Department of Computer Science, University of Minnesota, Twin Cities* (Thursday session, “Dedup: Last but Not Least,” pp. 309–324 of the Proceedings), the authors note the following errors:

Section 4, eighth paragraph:

Original text:

FAA covers the range from chunk 18 to chunk 17.

Corrected text:

FAA covers the range from chunk 18 to chunk 7.

Figure 3: Original

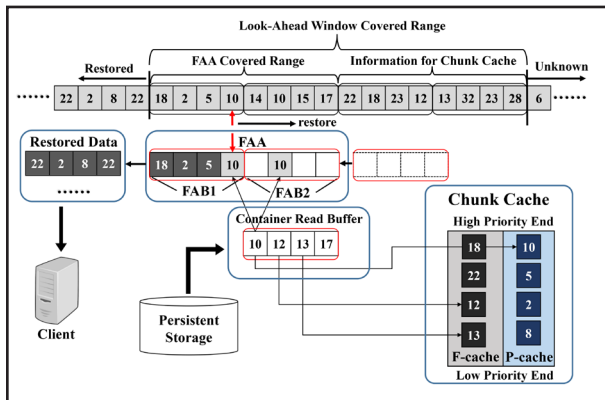
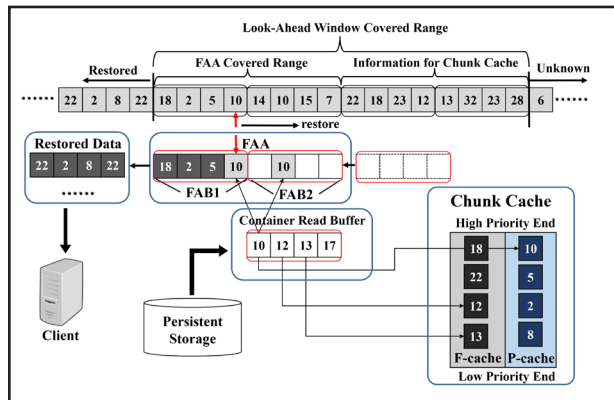


Figure 3: Corrected



In Figure 3, the chunk at the end of FAA Covered Range with chunk ID 17 (between chunk 15 and 22) is corrected to 7.