

300-415^{Q&As}

Implementing Cisco SD-WAN Solutions (ENSDWI)

Pass Cisco 300-415 Exam with 100% Guarantee

Free Download Real Questions & Answers **PDF** and **VCE** file from:

<https://www.leads4pass.com/300-415.html>

100% Passing Guarantee
100% Money Back Assurance

Following Questions and Answers are all new published by Cisco
Official Exam Center

-  **Instant Download** After Purchase
-  **100% Money Back** Guarantee
-  **365 Days** Free Update
-  **800,000+** Satisfied Customers



QUESTION 1

What is an advantage of using auto mode versus static mode of power allocation when an access point is connected to a PoE switch port?

- A. It detects the device is a powered device
- B. All four pairs of the cable are used
- C. Power policing is enabled at the same time
- D. The default level is used for the access point

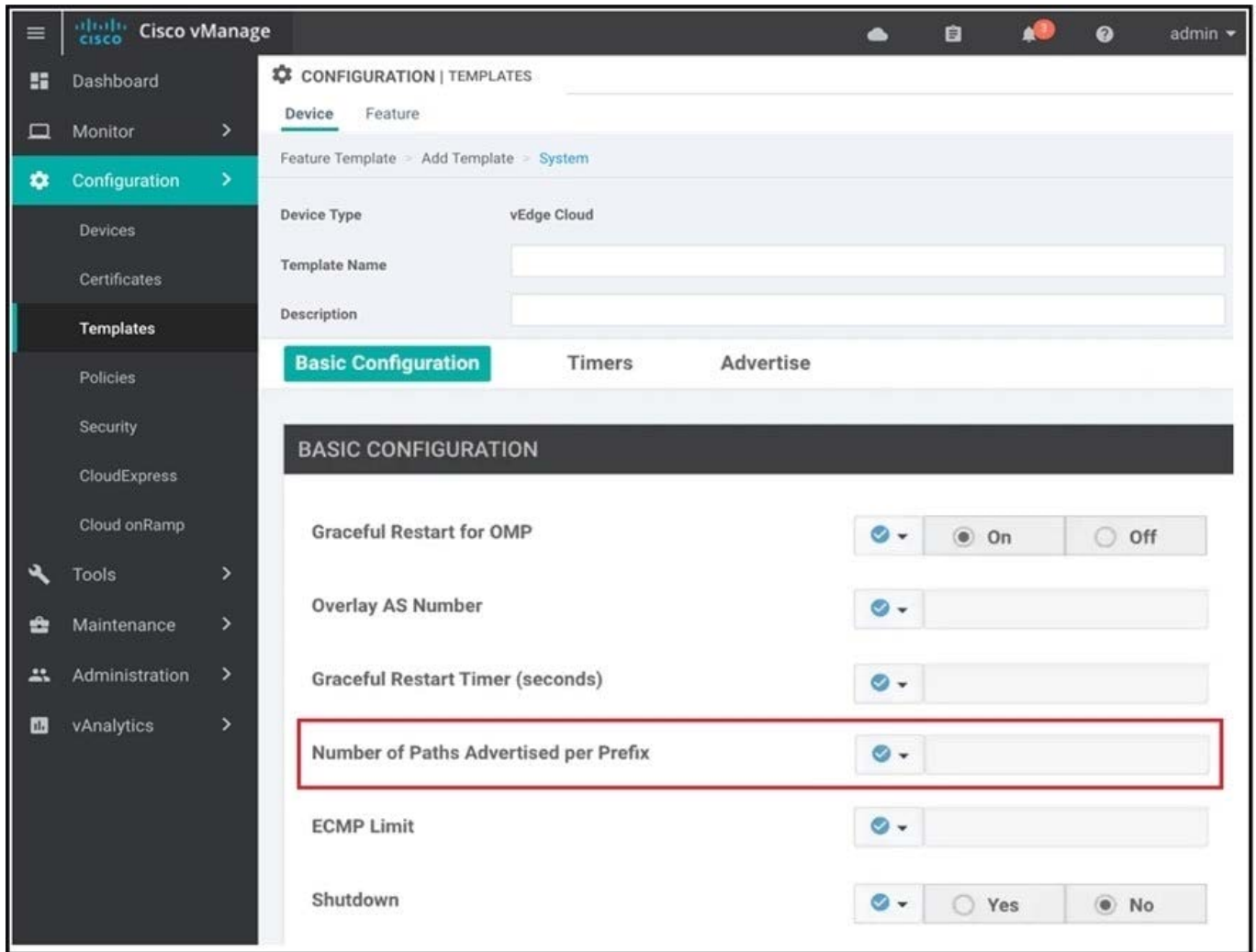
Correct Answer: D

Use the **auto** setting on any PoE port. The **auto mode** is the default setting.

https://www.cisco.com/en/US/docs/switches/lan/catalyst3850/software/release/3.2_0_se/multibook/configuration_guide/b_consolidated_config_guide_3850_chapter_011010.html

QUESTION 2

Refer to the exhibit.



A network administrator is configuring OMP in vManage to advertise all the paths for the same prefix from a site that has two WAN Edge devices. Each WAN Edge device is connected to three ISPs and two private MPLS transports. What is the minimum value for "Number of Paths advertised per Prefix" that should be configured?

- A. 2
- B. 3
- C. 5
- D. 10

Correct Answer: D

QUESTION 3

Which type of policy must be applied on a WAN Edge application-aware firewall to control traffic between two or more VPNs?

- A. firewall policy
- B. data policy
- C. service-insertion policy
- D. control policy

Correct Answer: A

QUESTION 4

A Cisco SD-WAN customer is running BGP and wants to pass on the AS number to BGP speaking routers on the service side network via OMP. Which configuration accomplishes this goal?

A.

```
vpn 20
  name "Service VPN 20"
  router
  bgp 100
  propagate-asp
```

B.

```
omp
  no shutdown
  overlay-as 100
  graceful-restart
  advertise aspath
```

C.

```
vpn 20
  name "Service VPN 20"
  router
  bgp 100
  advertise aspath
```

D.

```
omp
  no shutdown
  overlay-as 100
  graceful-restart
  advertise bgp
```

A. Option A

B. Option B

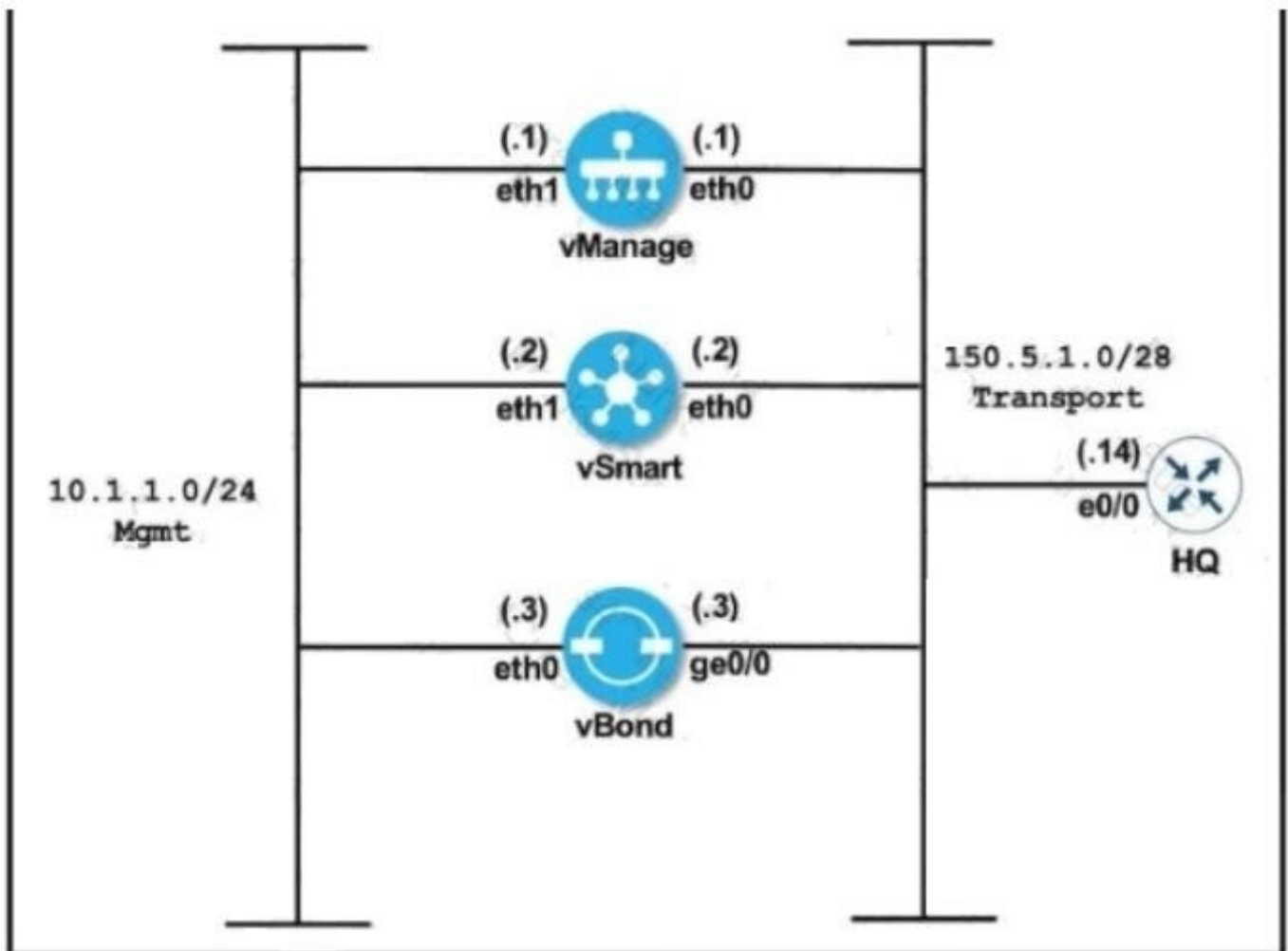
C. Option C

D. Option D

Correct Answer: A

QUESTION 5

Refer to the exhibit.



vManage

```
system
  system-ip 10.10.10.101
  host-name vManage
  site-id 1
  clock timezone Europe/London
  vbond 150.5.1.3
  organization-name Cisco.com
  !
vpn 0
  interface eth0
    ip address 150.5.1.1/28
    no shut
    tunnel-interface
    allow-service all
  ip route 0.0.0.0/0 150.5.1.14
  !
commit
```

vBond

```
system
  system-ip 10.10.10.103
  host-name vBond
  site-id 1
  clock timezone Europe/London
  vbond 150.5.1.3
  organization-name Cisco.com
  !
vpn 0
  interface eth0
    ip address 150.5.1.3/28
    no shut
    tunnel-interface
    encapsulation ipsec
    allow-service all
  ip route 0.0.0.0/0 150.5.1.14
  !
commit
```

vSmart

```
system
  system-ip 10.10.10.102
  host-name vSmart
  site-id 1
  clock timezone Europe/London
  vbond 150.5.1.3
  organization-name Cisco.com
  !
vpn 0
  interface eth0
    ip address 150.5.1.2/28
    no shut
    tunnel-interface
    allow-service all
  ip route 0.0.0.0/0 150.5.1.14
  !
commit
```

An engineer is troubleshooting an issue where vManage and vSmart have a problem establishing a connection to vBond. Which action fixes the issue?

A. Reconfigure the vbond command on the vBond as vbond 150.5.1.3 local

- B. Configure the tunnel interface on all three controllers with a color of transport
- C. Remove the encapsulation ipsec command under the tunnel interface of vBond.
- D. Configure encapsulation as IPsec under the tunnel interface of vManage and vSmart

Correct Answer: A

QUESTION 6

An engineer is troubleshooting a certificate issue on vEdge. Which command is used to verify the validity of the certificates?

- A. show control local-properties
- B. show control summary
- C. show certificate installed
- D. show certificate status

Correct Answer: A

Reference: <https://www.cisco.com/c/en/us/support/docs/routers/sd-wan/214509-troubleshoot-control-connections.html>

QUESTION 7

Which two REST API functions are performed for Cisco devices in an overlay network? (Choose two)

- A. distributing a Snort image among devices
- B. attaching a device configuration template
- C. managing connections for smart licensing
- D. monitoring device certificates
- E. querying a device and aggregating statistics

Correct Answer: BD

QUESTION 8

What are the two impacts of losing vManage connectivity to fabric in the Cisco SD-WAN network? (Choose two.)

- A. Policy changes propagation stops.
- B. Creation of templates is impossible.
- C. BFD peering between WAN Edge devices are established.

D. Statistics collection stops.

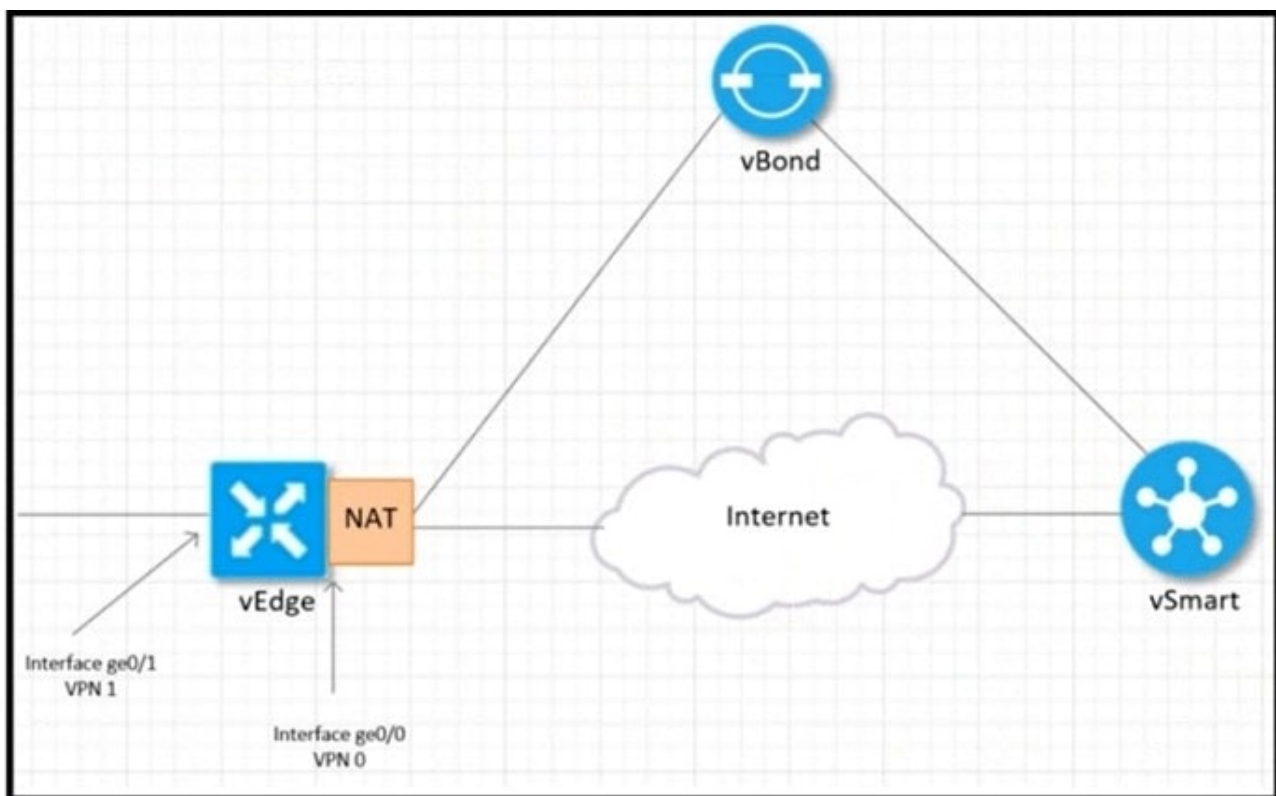
E. IPsec tunnels tear down for WAN Edge devices.

Correct Answer: AD

When vManage loses connectivity to the fabric, it can no longer push policy changes to the WAN Edge devices (A) or collect statistics and monitoring data (D). This can impact the network's ability to adapt to changes and monitor its performance effectively.

QUESTION 9

Refer to the exhibit.



Which configuration sets up direct Internet access for VPN 1?

- A. `vpn 1`
`no shutdown`
`...`
`vpn 0`
`...`
`ip route 0.0.0.0 vpn 1`
- B. `vpn 0`
`.....`
`interface ge0/0`
`nat`
`!`
`no shutdown`
`...`
`vpn 1`
`...`
`ip route 0.0.0.0/0 vpn 0`
- C. `vpn 1`
`.....`
`interface ge0/1`
`...`
`nat`
`!`
`no shutdown`
`...`
`vpn 0`
`...`
`ip route 0.0.0.0/0 vpn 1`
- D. `vpn 0`
`.....`
`interface ge0/1`
`...`
`ip nat`
`!`
`no shutdown`
`...`
`vpn 1`
`...`
`ip route 0.0.0.0/0 vpn 0`

A. Option A

B. Option B

C. Option C

D. Option D

Correct Answer: C

QUESTION 10

What are two components of vSmart? (Choose two.)

- A. key reflection
- B. policy engine
- C. NAT traversal
- D. device template creation
- E. monitoring

Correct Answer: AB

QUESTION 11

What must an engineer consider when deploying an SD-WAN on-premises architecture based on the ESXI hypervisor?

- A. Cisco must provision the backup and snapshots platform for the SD-WAN architecture.
- B. The IT team will be given access by Cisco to a vManage for configuration templates and policies configuration.
- C. The IT team is required to provision the SD-WAN controllers and is responsible for backups and disaster recovery implementation.
- D. The managed service provider must provision controllers with their appropriate certificates.

Correct Answer: C

The IT team is required to download the SD-WAN Orchestrator and use the necessary guides to complete your installation, including provisioning the correct environment, Disaster Recovery and Snapshots of the SD-WAN Controller VM for on prem.

QUESTION 12

How is a TLOC uniquely identified from a WAN Edge router to the SD-WAN transport network?

- A. system IP address
- B. VPN ID

C. OMP

D. SD-WAN site ID

Correct Answer: A

QUESTION 13

An engineer modifies a data policy for DIA in VPN 67. The location has two Internet-bound circuits. Only the web browsing traffic must be admitted for DIA, without further discrimination about which transport to use. Here is the existing data policy configuration:

```
data-policy DIA
  vpn-list VPN-67
  sequence 10
  match
    destination-data-prefix-list INTERNAL-NETWORKS
  !
  !
  default-action drop
```

```
sequence 5
match
destination-port 80 443
destination-ip 0.0.0.0/0
!
action accept
nat use-vpn 0
```

A

```
sequence 20
match
destination-port 80 443
source-ip 0.0.0.0/0
!
action accept
set
local-tloc-list
color biz-internet
```

B

```
sequence 20
match
destination-port 80 443
destination-ip 0.0.0.0/0
!
action accept
nat use-vpn 0
```

C

```
sequence 5
match
destination-port 80 443
source-ip 0.0.0.0/0
!
action accept
set
local-tloc-list
color biz-internet
```

D

A. Option A

B. Option B

C. Option C

D. Option D

Correct Answer: C

The requirement is to have DIA for http, https traffic and to not specify (discriminate) against which transport to use.

The next ordered sequence from the existing configuration would be 20 (10 being the previous)

matching destinations ports 80, 443 from all internal networks with a default route (any/any)

Nat use-vpn 0

Action is accepted with matching traffic sent to the transport VPN 0 DIA

QUESTION 14

An engineer is adding a tenant with location ID 123456789 in vManage. What is the maximum number of alphanumeric characters that is accepted in the tenant name field?

A. 64

B. 128

C. 256

D. 8

Correct Answer: B

QUESTION 15

Which platform is a Cisco SD-WAN virtual platform?

A. Cisco ISR 4000

B. Cisco Nexus 1000V

C. Cisco CSR 1000V

D. Cisco ASR 1000

Correct Answer: C

[300-415 VCE Dumps](#)

[300-415 Practice Test](#)

[300-415 Study Guide](#)